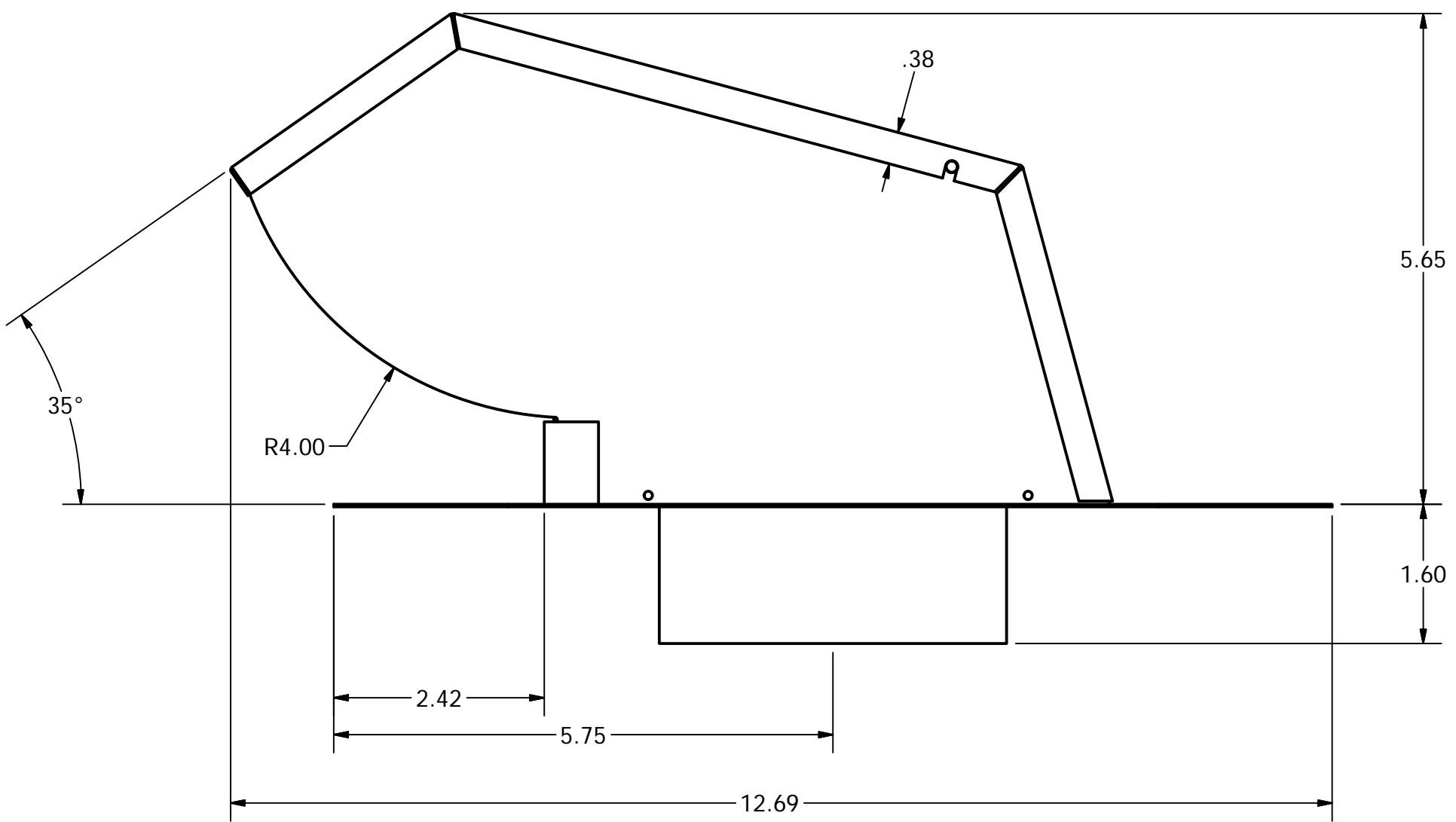
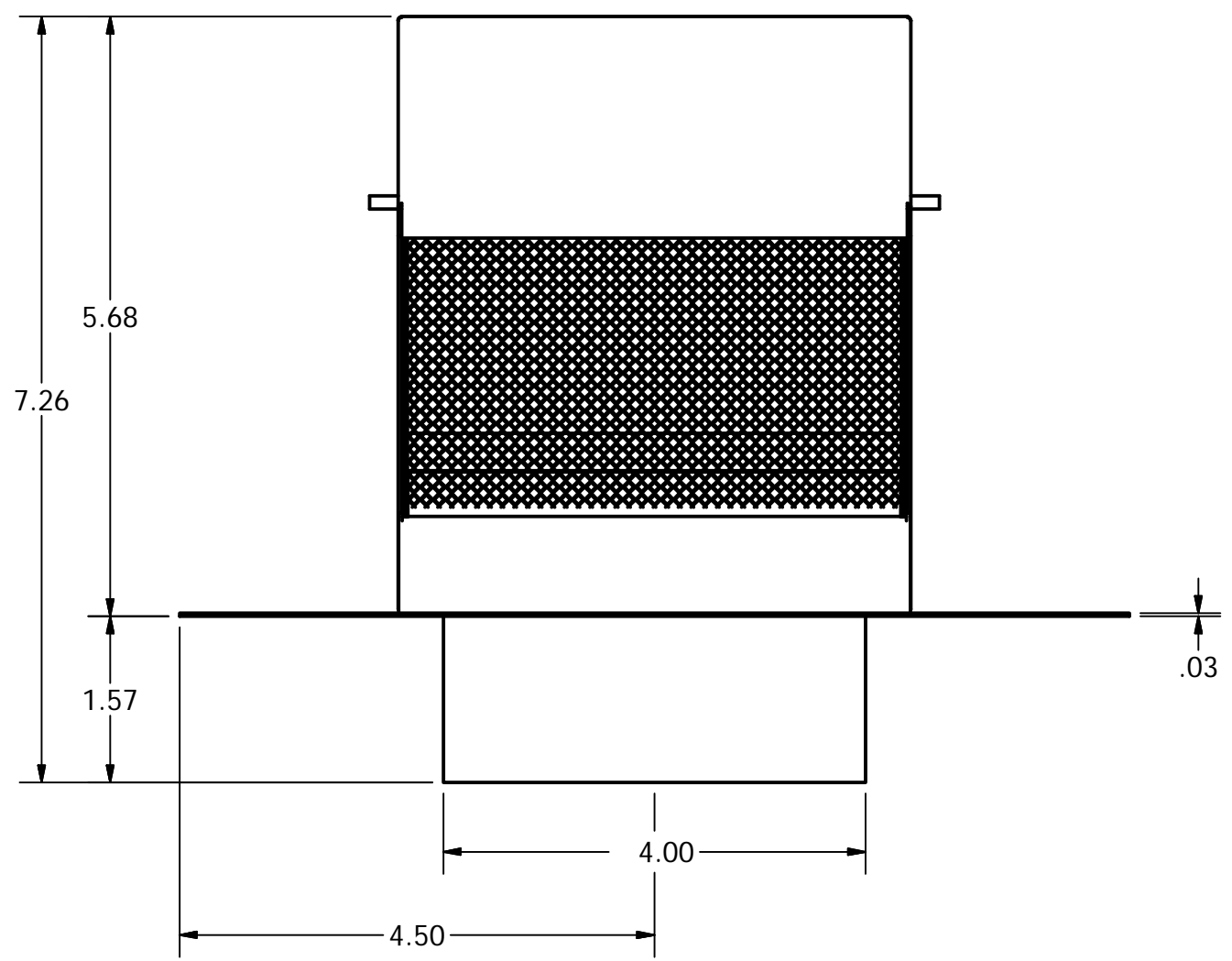
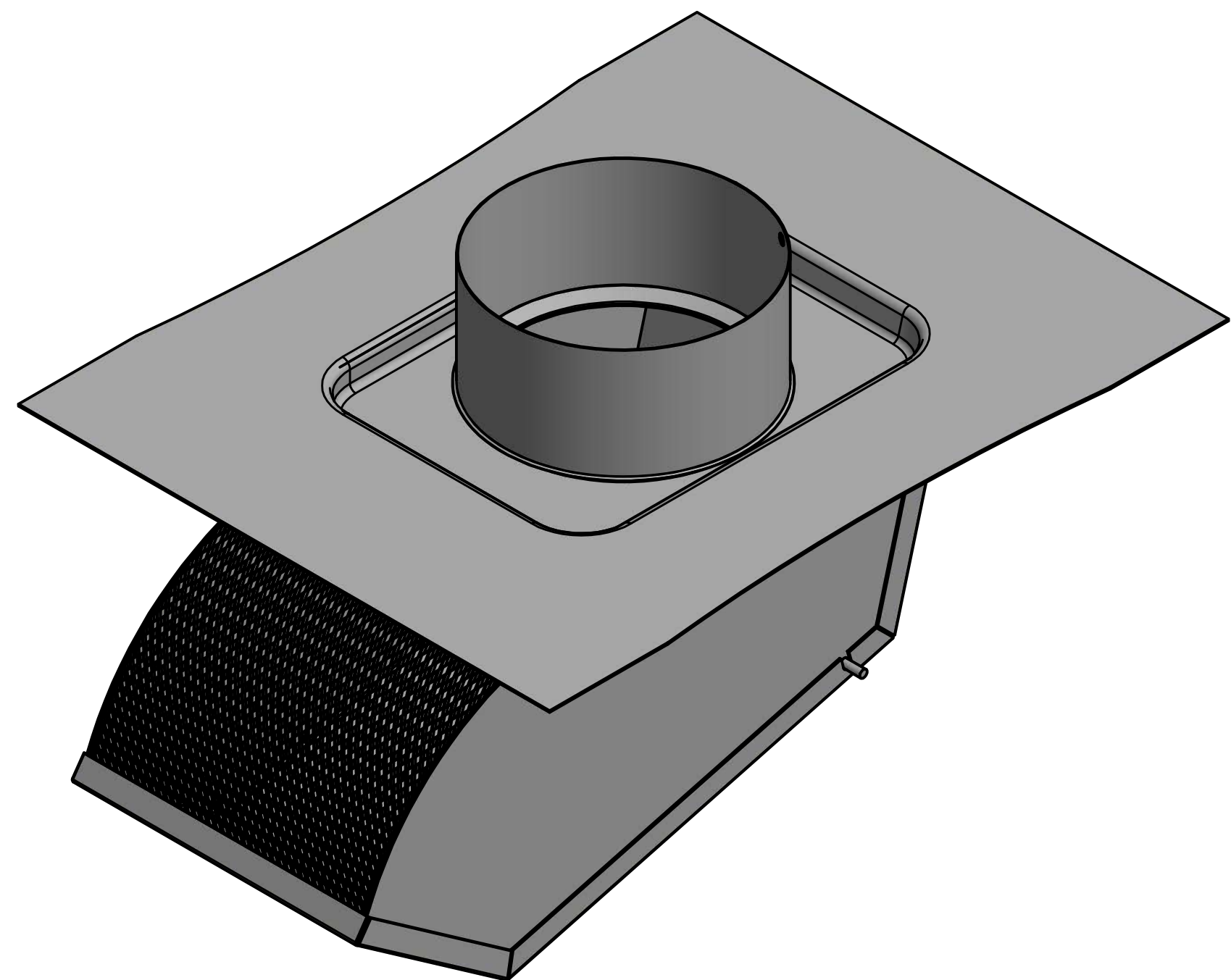
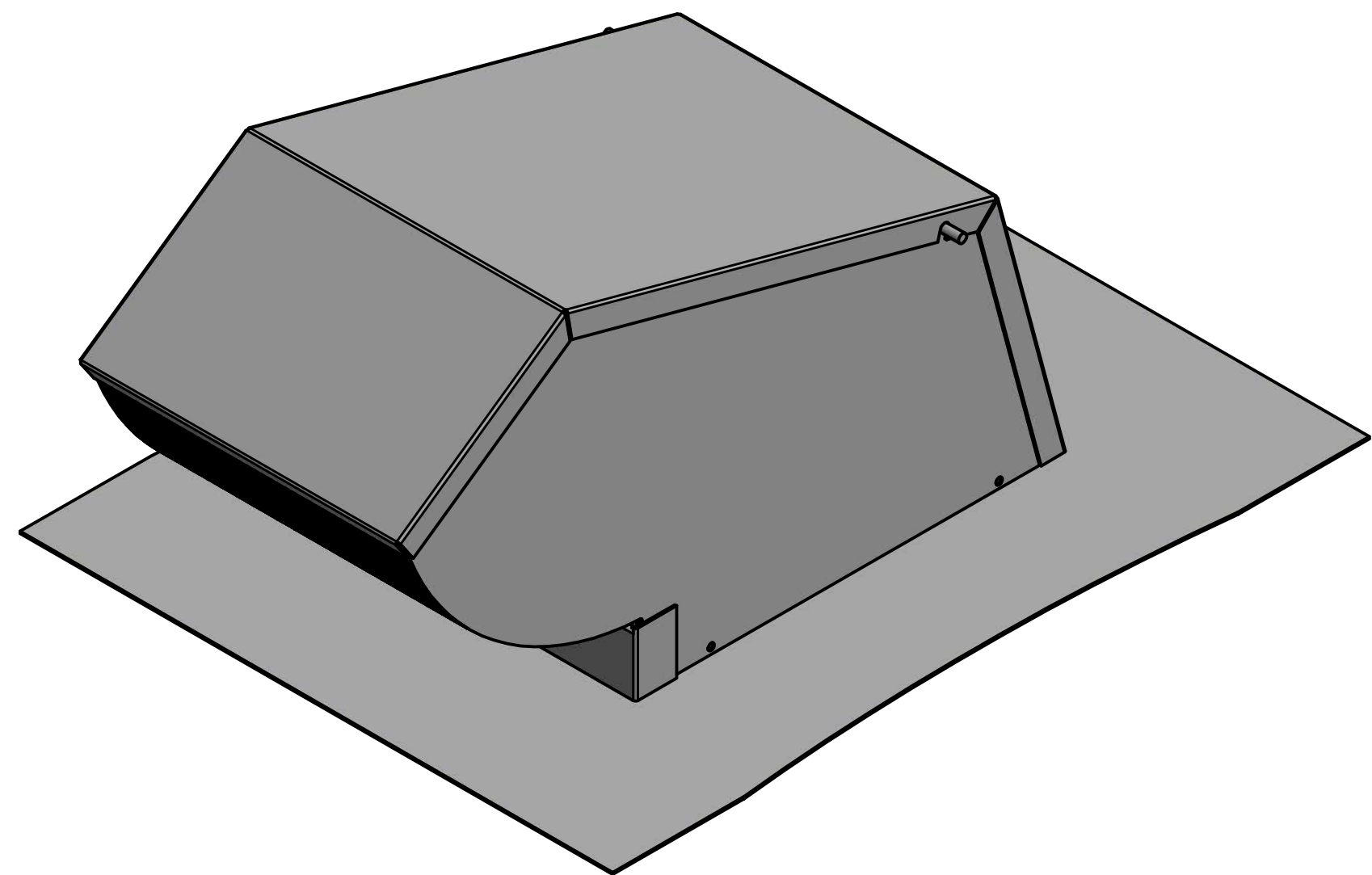
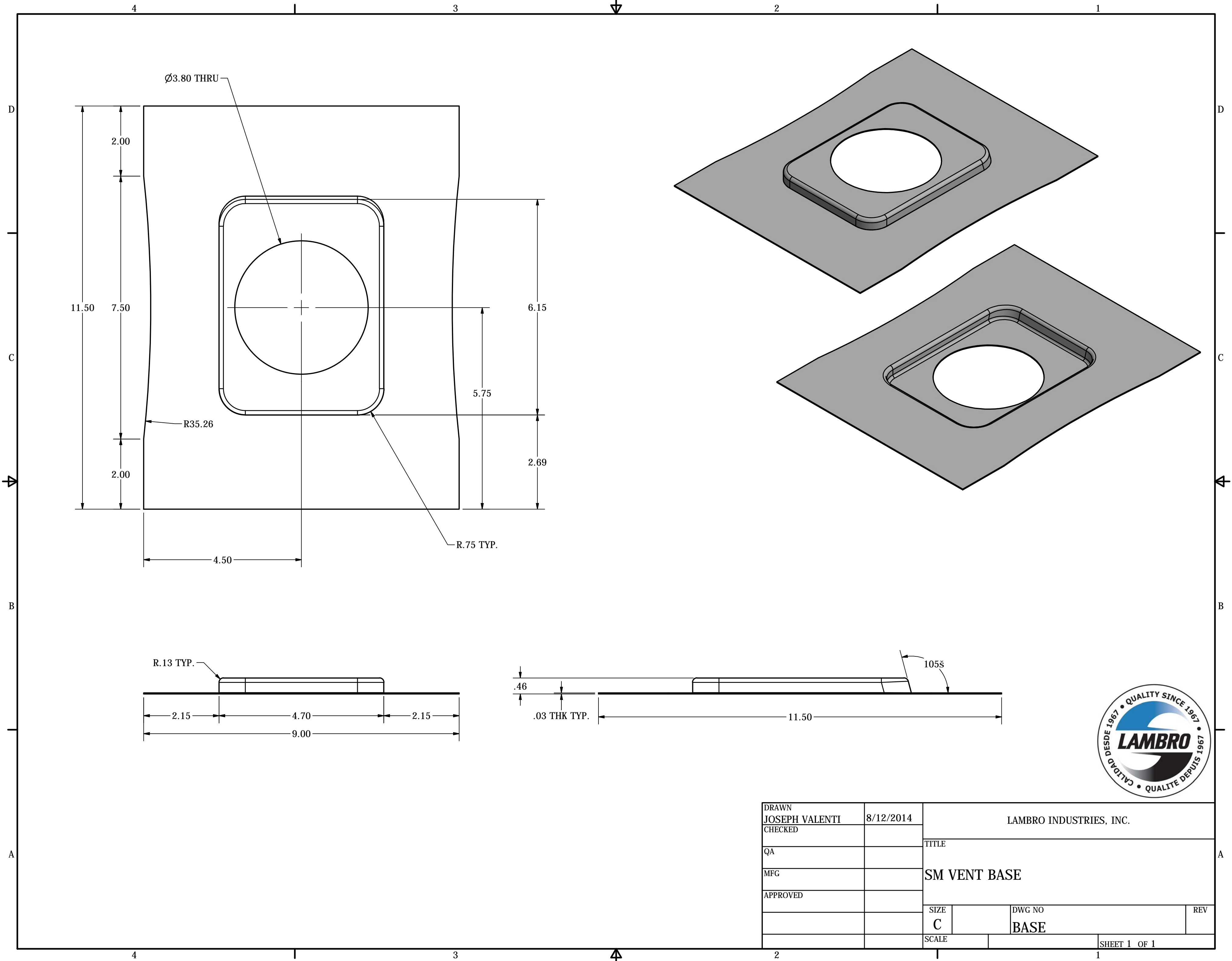


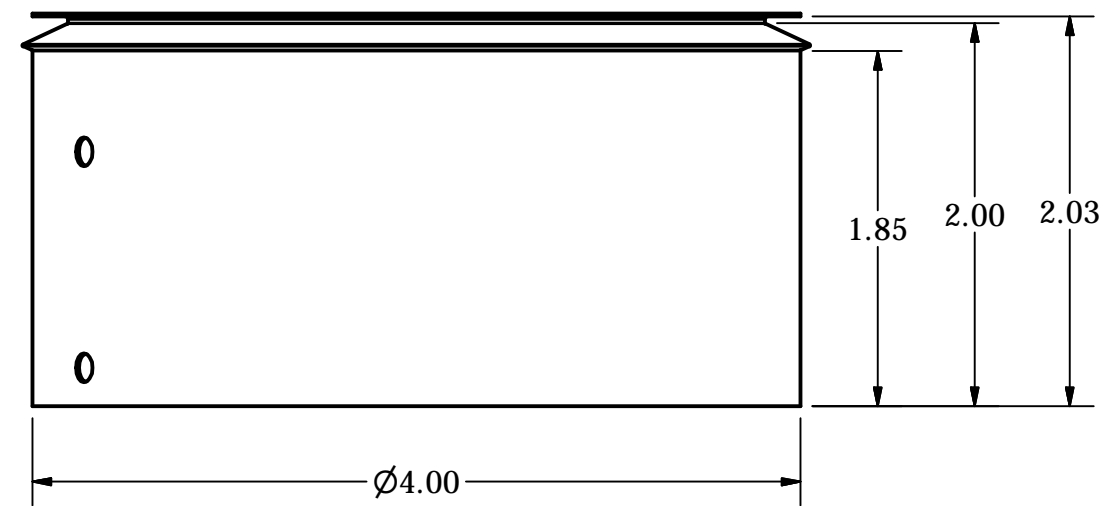
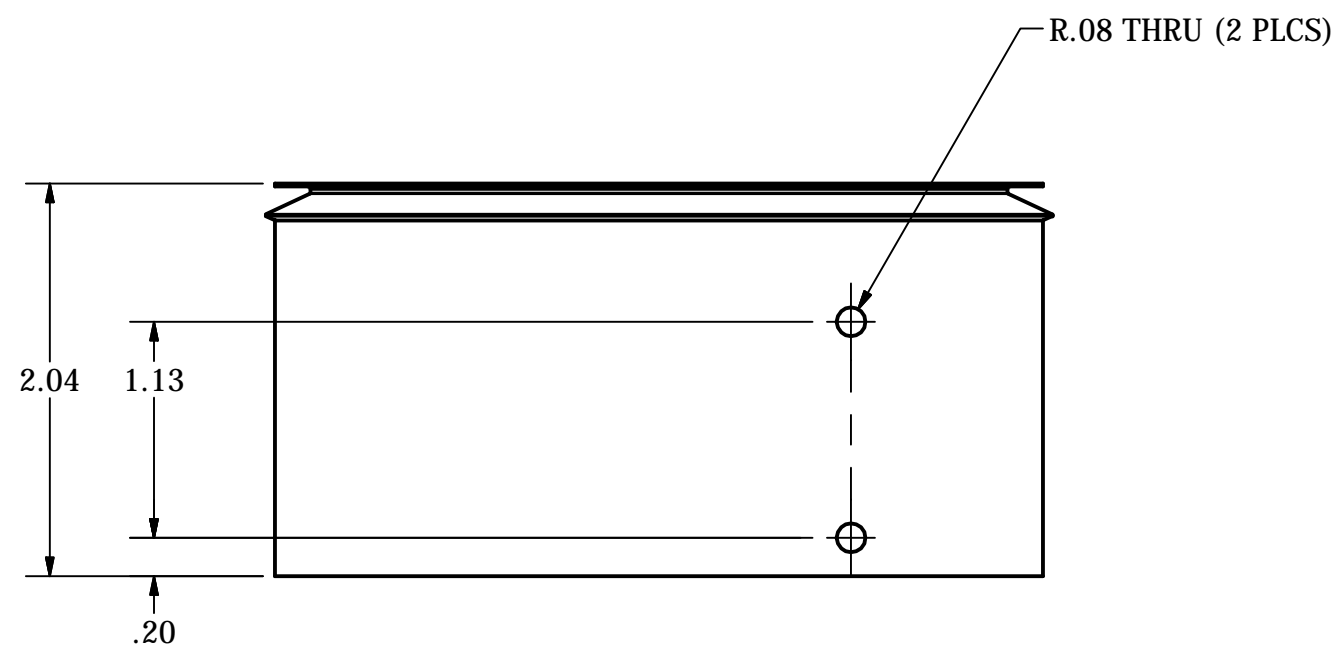
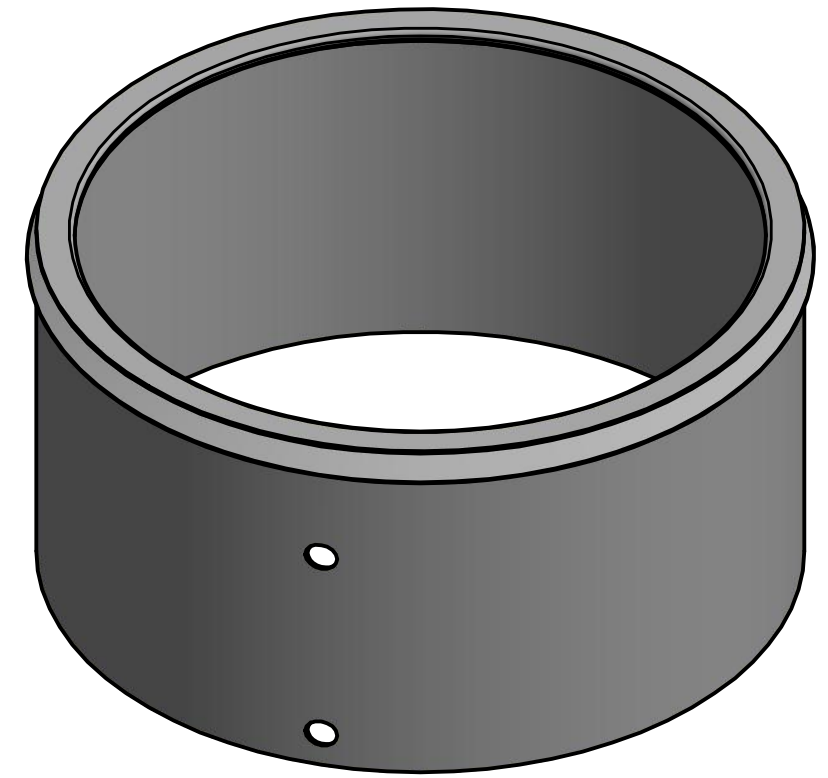
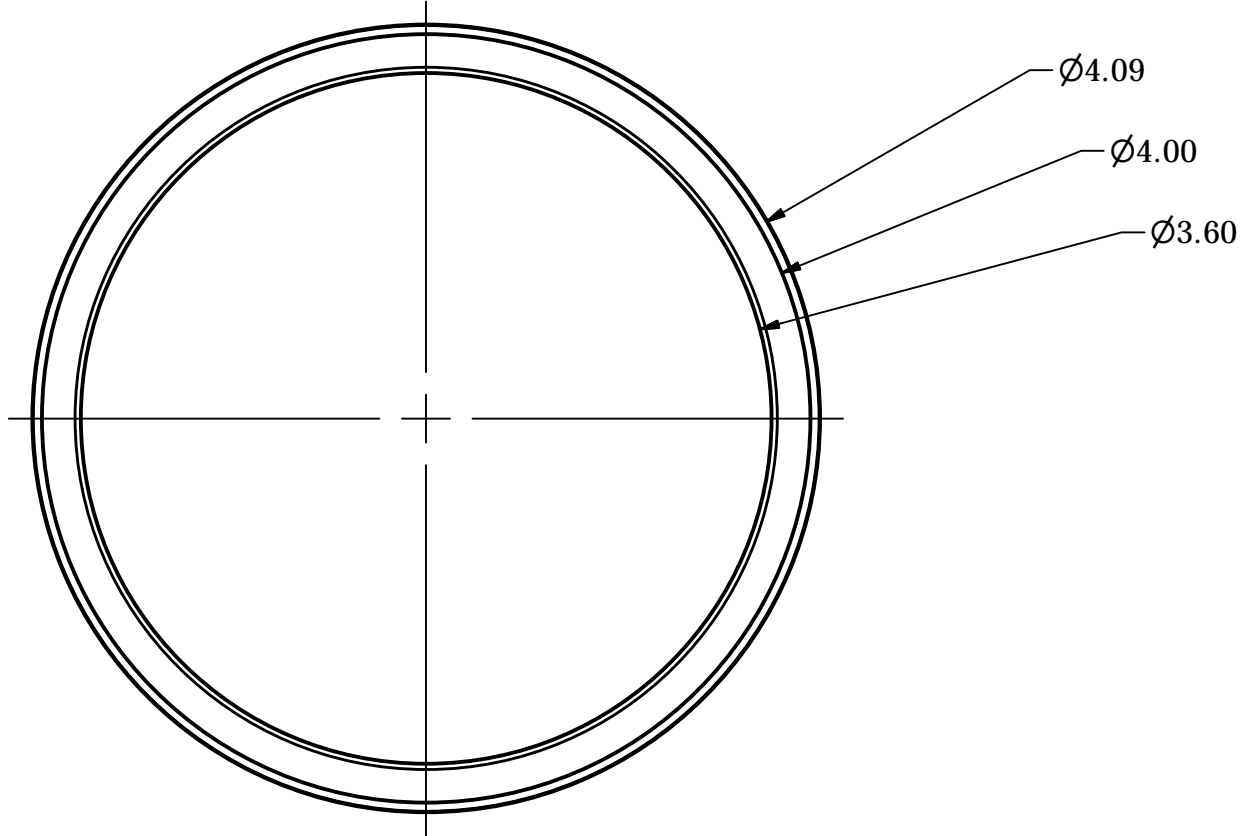
SECTION A-A



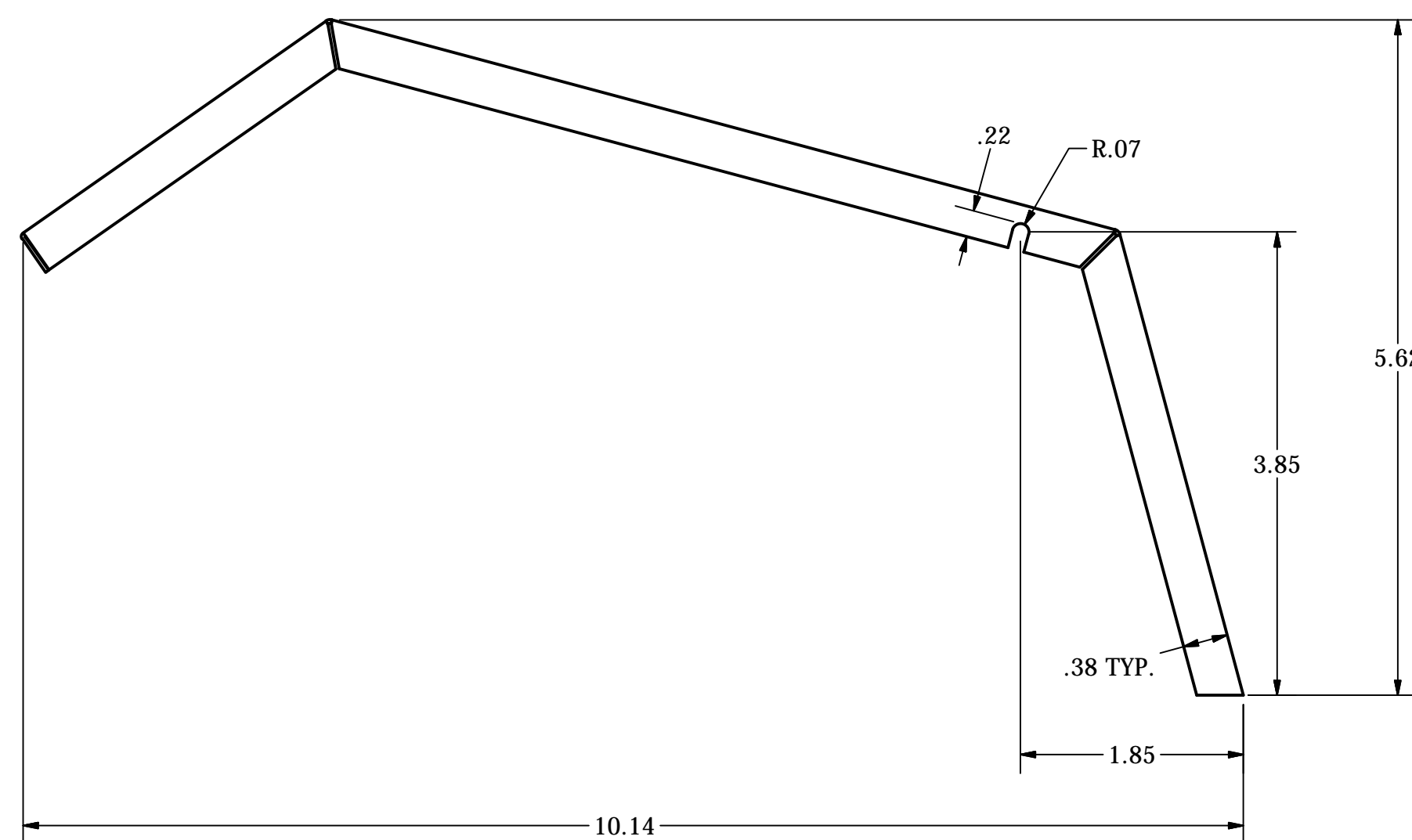
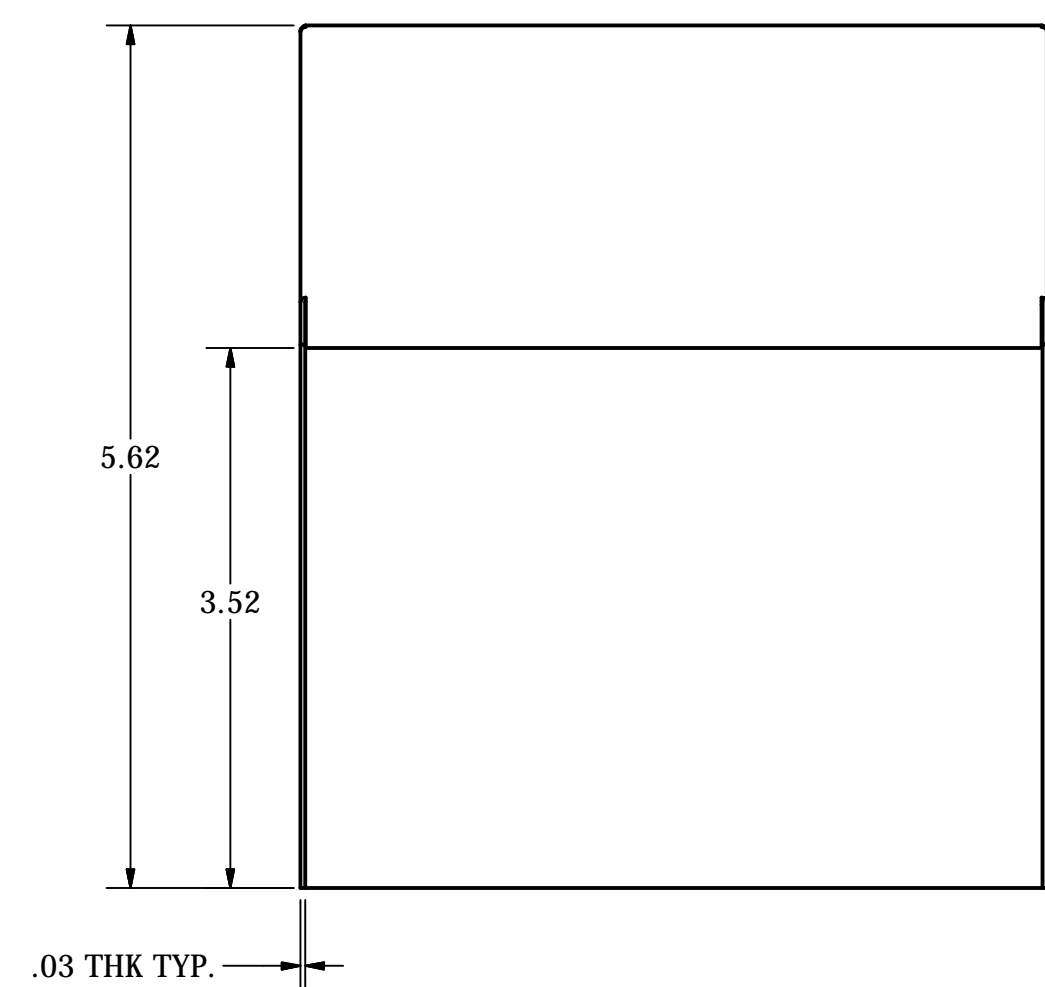
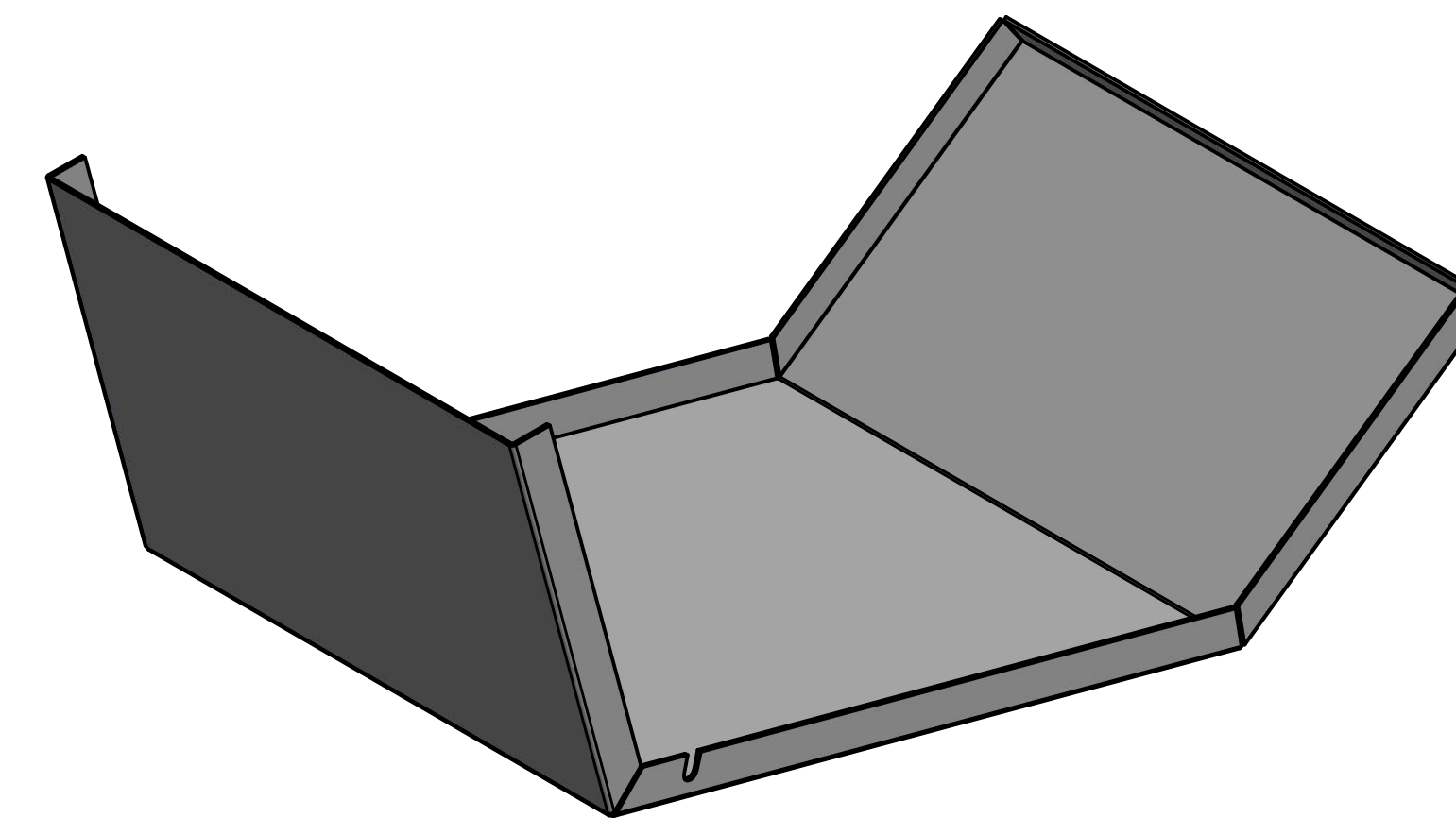
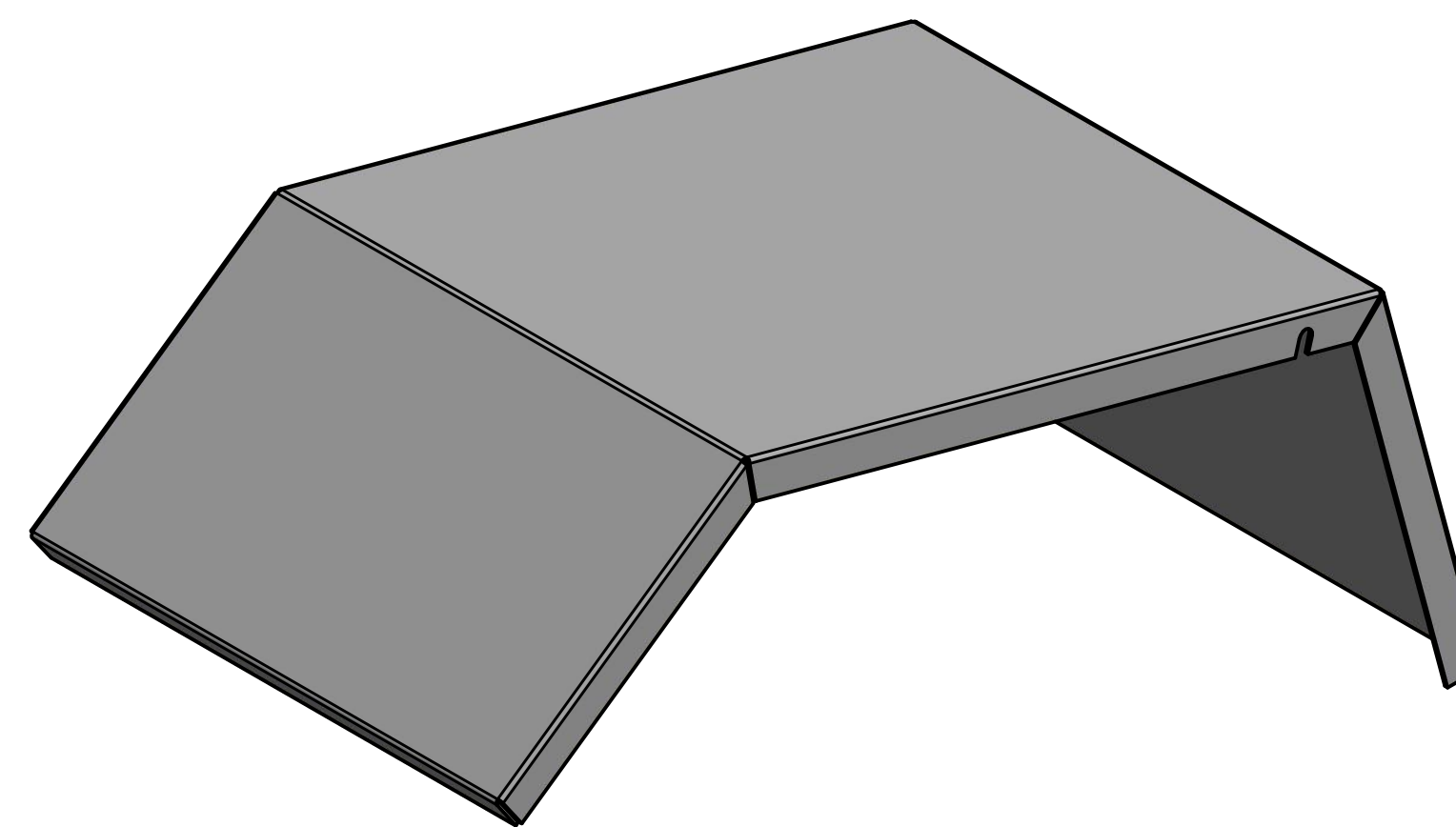
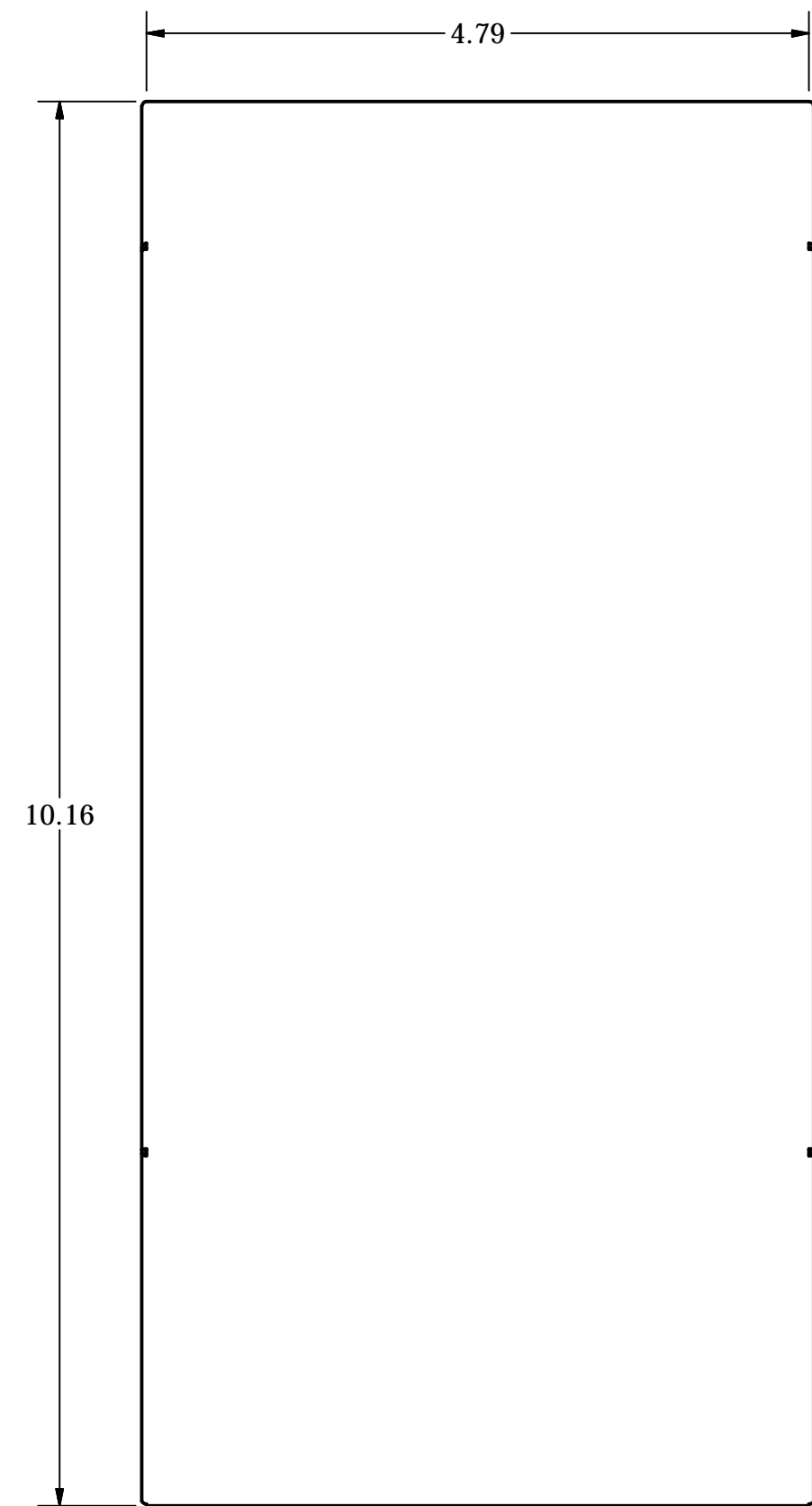
DRAWN	JOSEPH VALENTI	8/3/2014	LAMBRO INDUSTRIES, INC.		
CHECKED			TITLE		
QA			109 ASSEMBLY		Aluminum Gauge
MFG			Roof Cap Assembly - .025		
APPROVED			Flapper - .016		
			SIZE	DWG NO	REV
			D	assembly	
			SCALE	SHEET 1 OF 1	



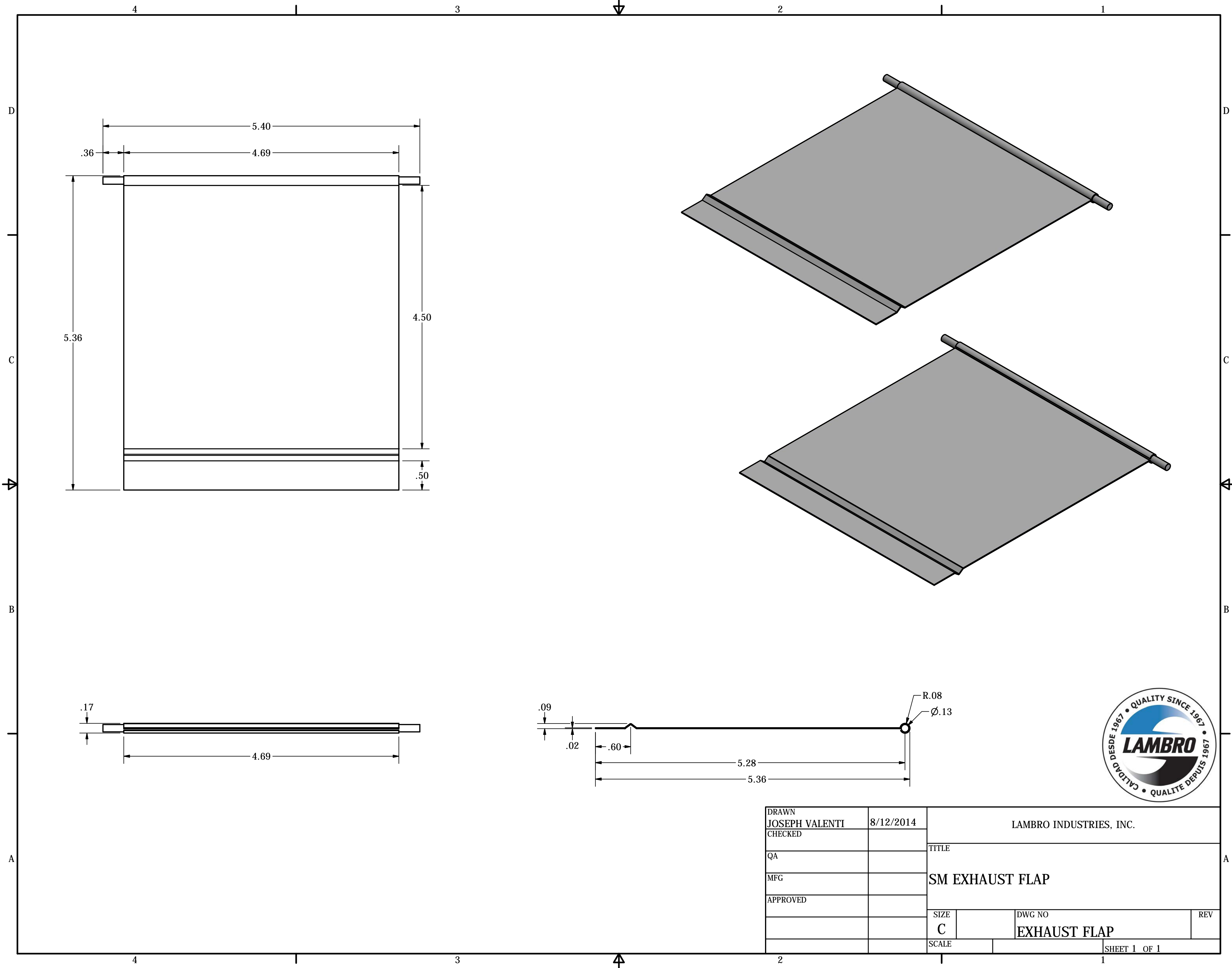
DRAWN JOSEPH VALENTI		8/12/2014		LAMBRO INDUSTRIES, INC.	
CHECKED				TITLE	
QA				SM VENT BASE	
MFG				DWG NO	
APPROVED				REV	
		SIZE C		BASE	
		SCALE		SHEET 1 OF 1	



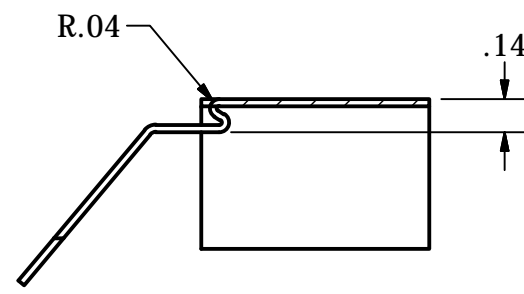
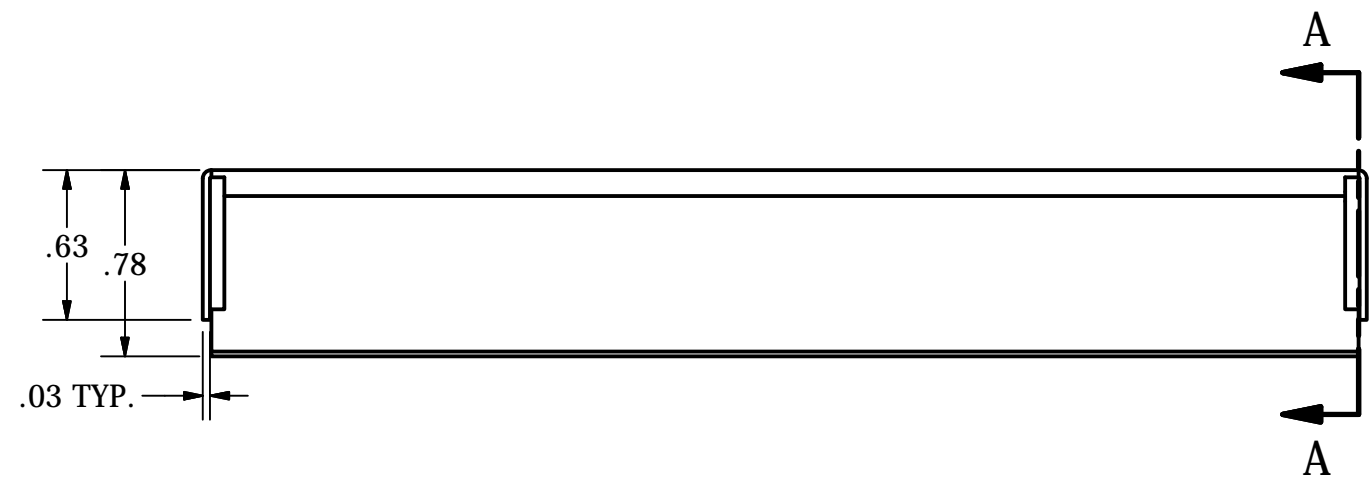
DRAWN JOSEPH VALENTI	8/3/2014	LAMBRO INDUSTRIES, INC.		
CHECKED		TITLE		
QA		SM VENT TUBE		
MFG		SIZE	DWG NO	REV
APPROVED		C	TUBE	
		SCALE	SHEET 1 OF 1	



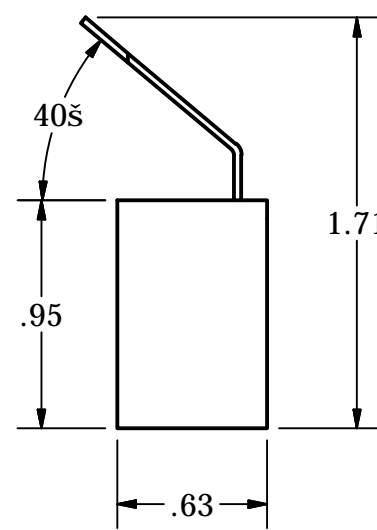
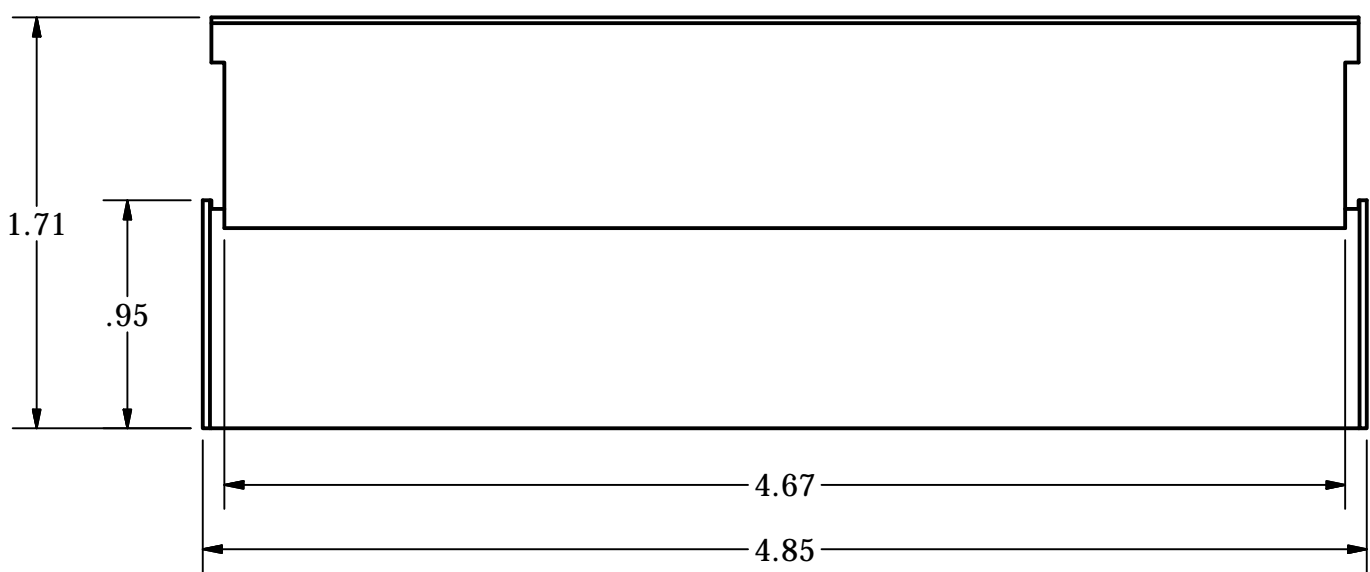
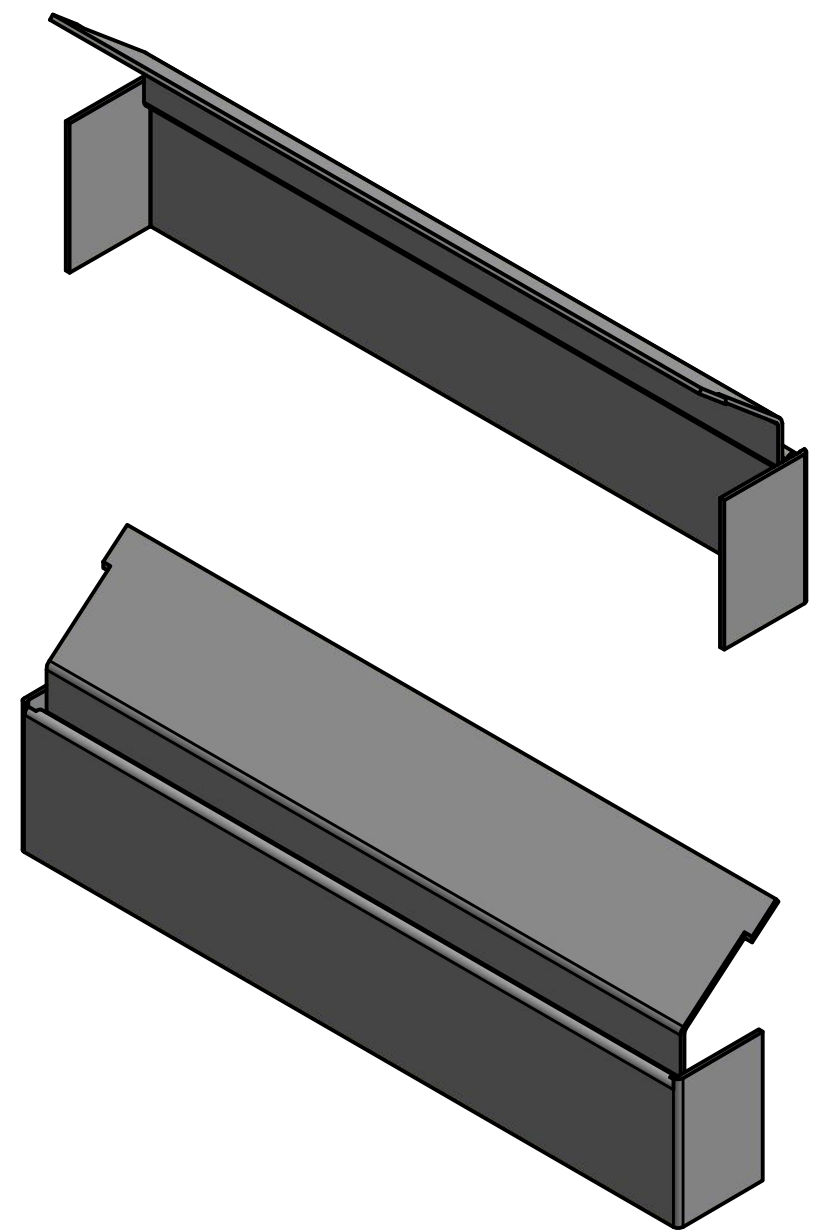
DRAWN	JOSEPH VALENTI	8/12/2014	LAMBRO INDUSTRIES, INC.		
CHECKED			TITLE		
QA			SM VENT COVER		
MFG			SIZE	DWG NO	REV
APPROVED			D	COVER	
			SCALE		SHEET 1 OF 1



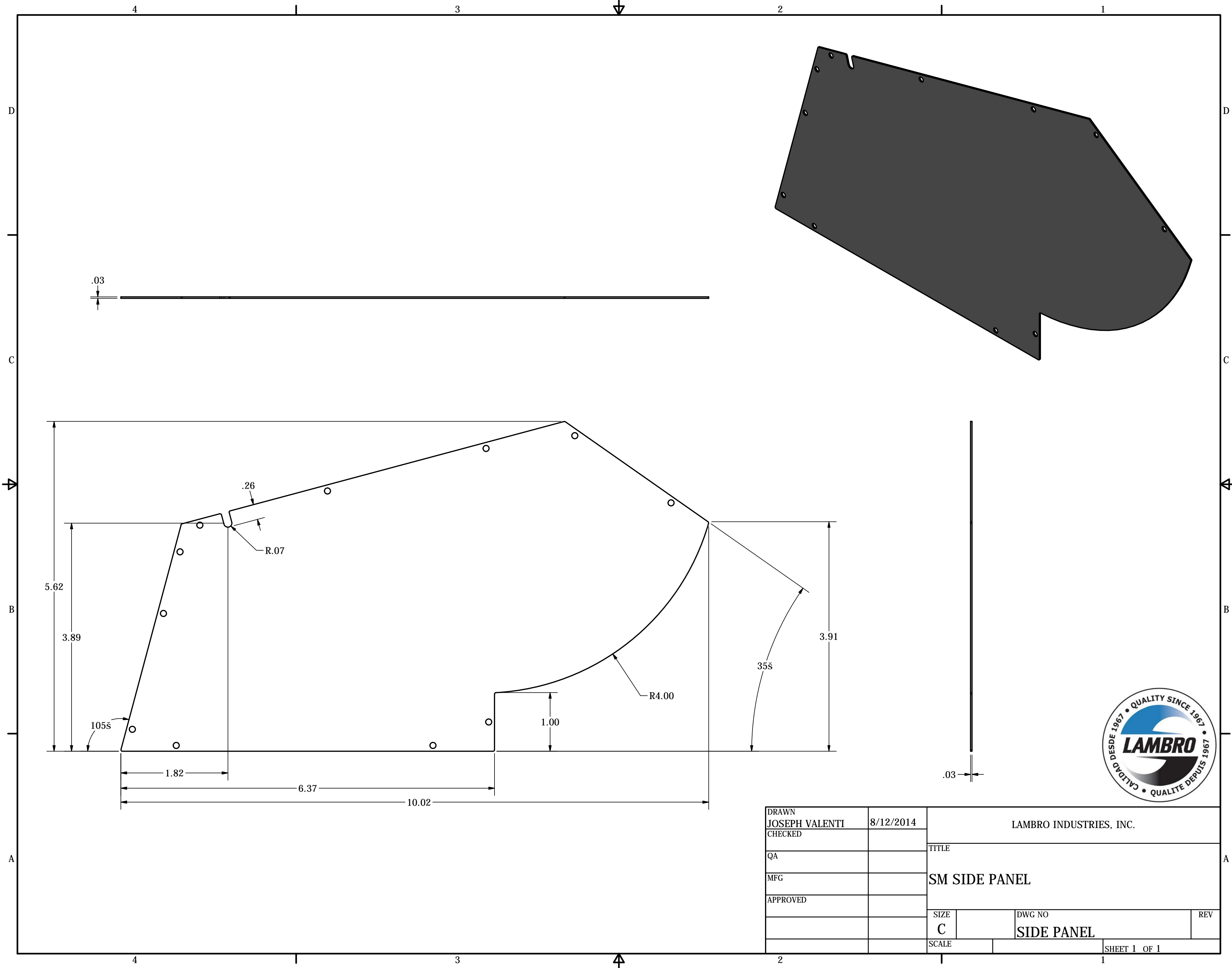
DRAWN JOSEPH VALENTI		8/12/2014		LAMBRO INDUSTRIES, INC.	
CHECKED				TITLE	
QA				SM EXHAUST FLAP	
MFG				SIZE	
APPROVED				C	
		SCALE		DWG NO	
				EXHAUST FLAP	
				REV	
				SHEET 1 OF 1	



SECTION A-A



DRAWN JOSEPH VALENTI	8/12/2014	LAMBRO INDUSTRIES, INC.		
CHECKED		TITLE		
QA		SM VENT FRONT GUARD		
MFG		SIZE C	DWG NO FRONT GUARD	REV
APPROVED		SCALE	SHEET 1 OF 1	



DRAWN JOSEPH VALENTI	8/12/2014	LAMBRO INDUSTRIES, INC.		
CHECKED		TITLE		
QA		SM SIDE PANEL		
MFG		SIZE	DWG NO	REV
APPROVED		C	SIDE PANEL	
		SCALE	SHEET 1 OF 1	