
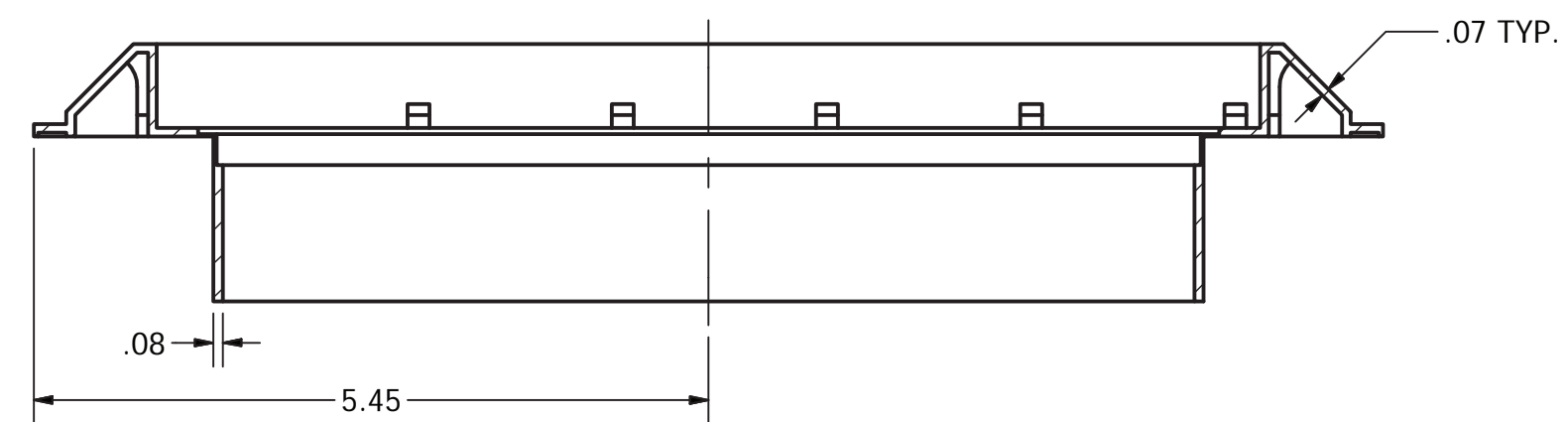
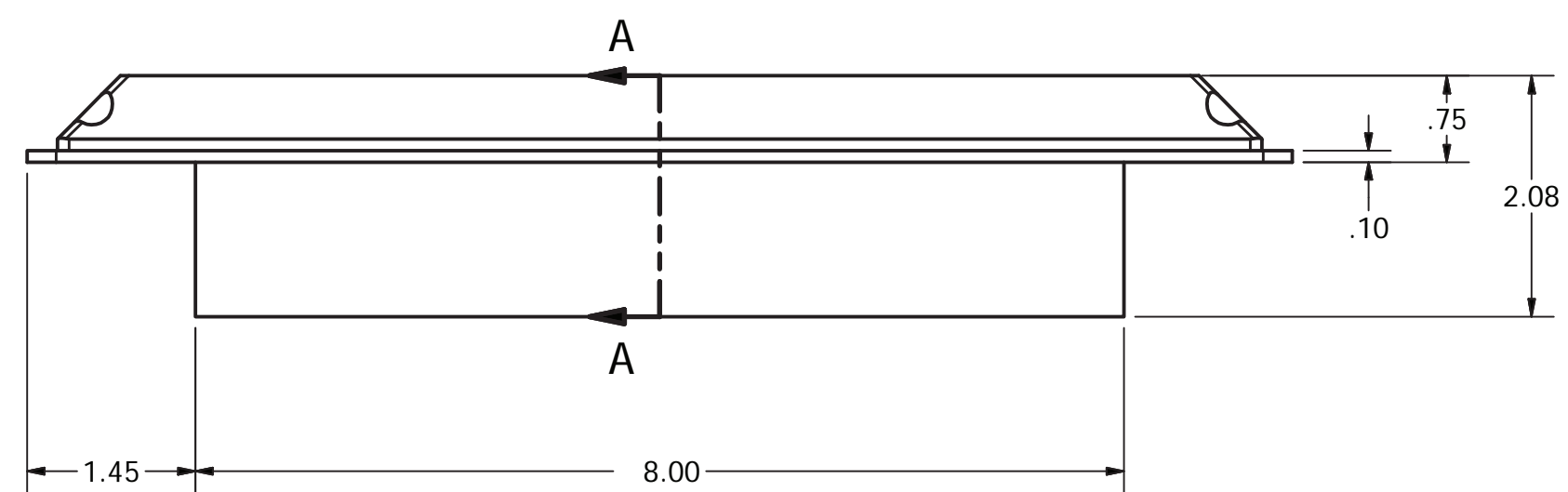
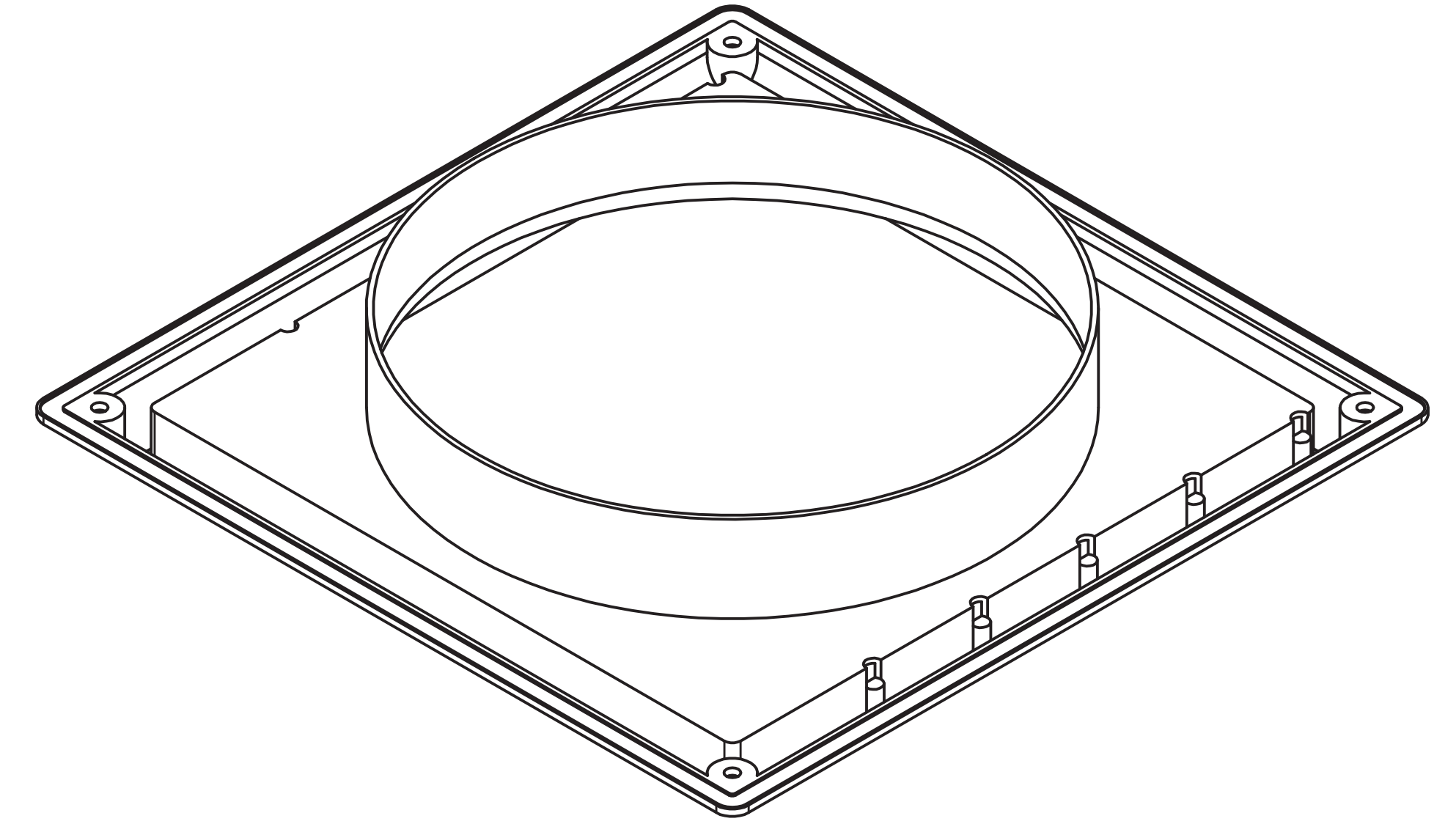
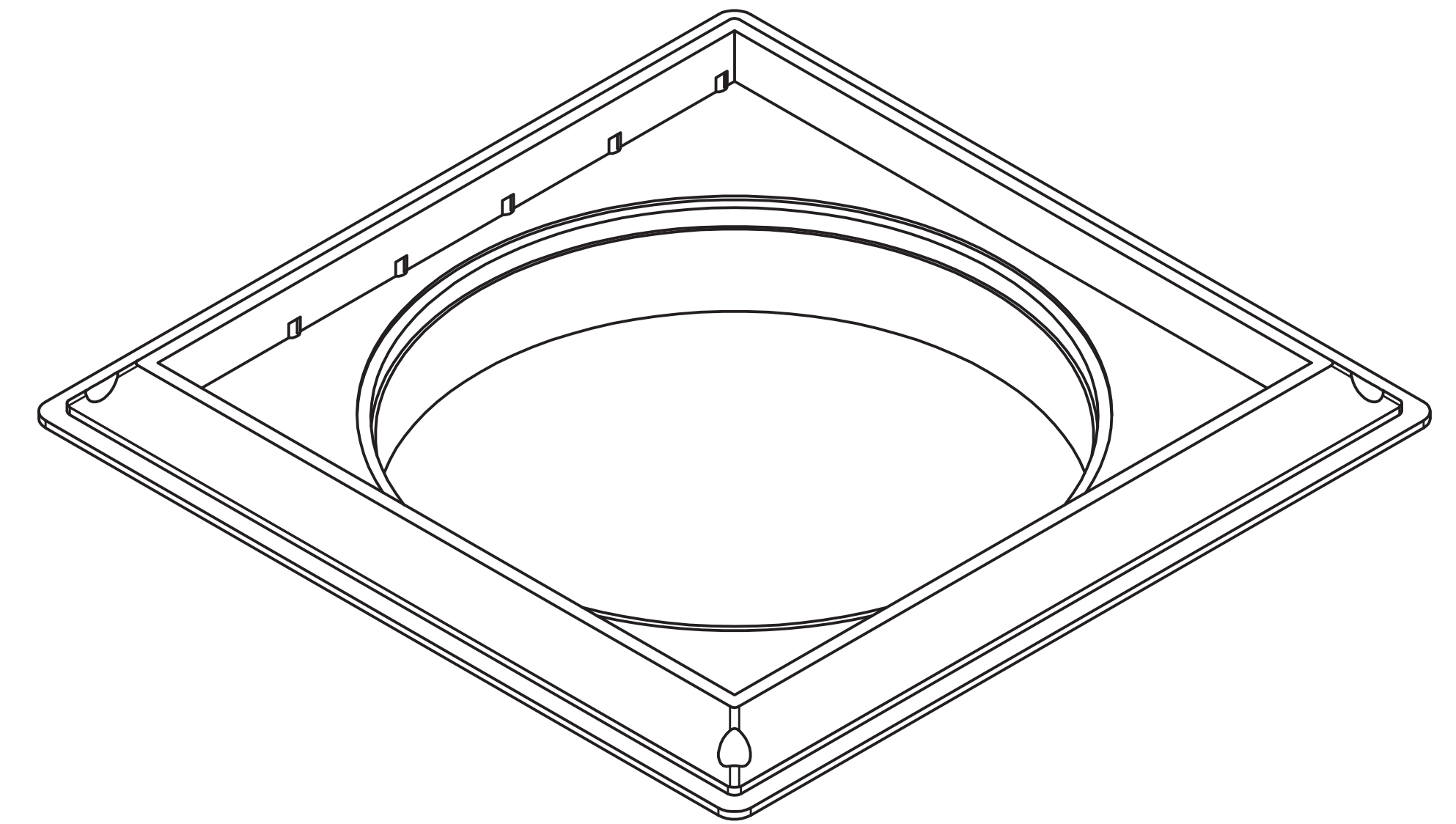
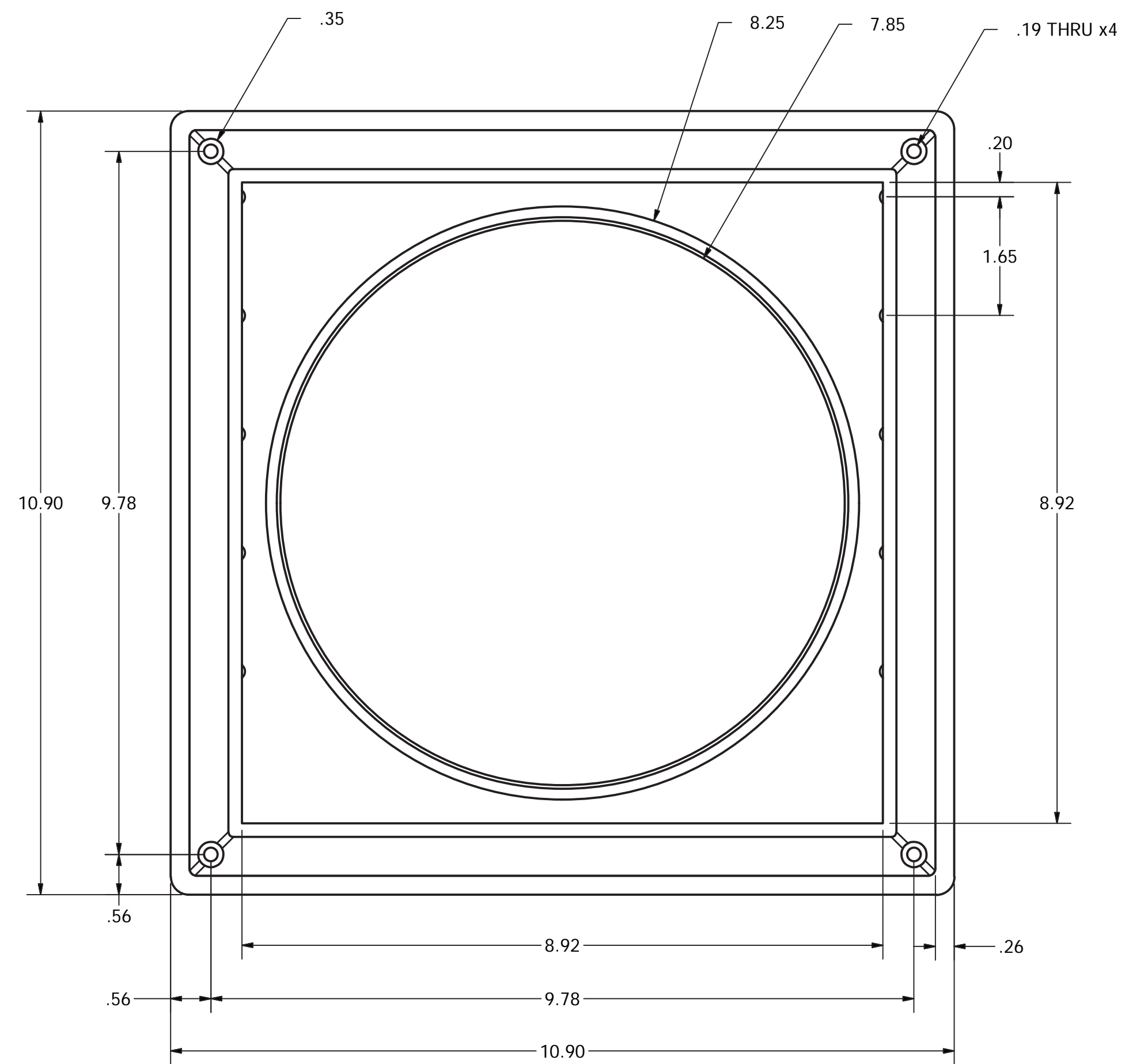



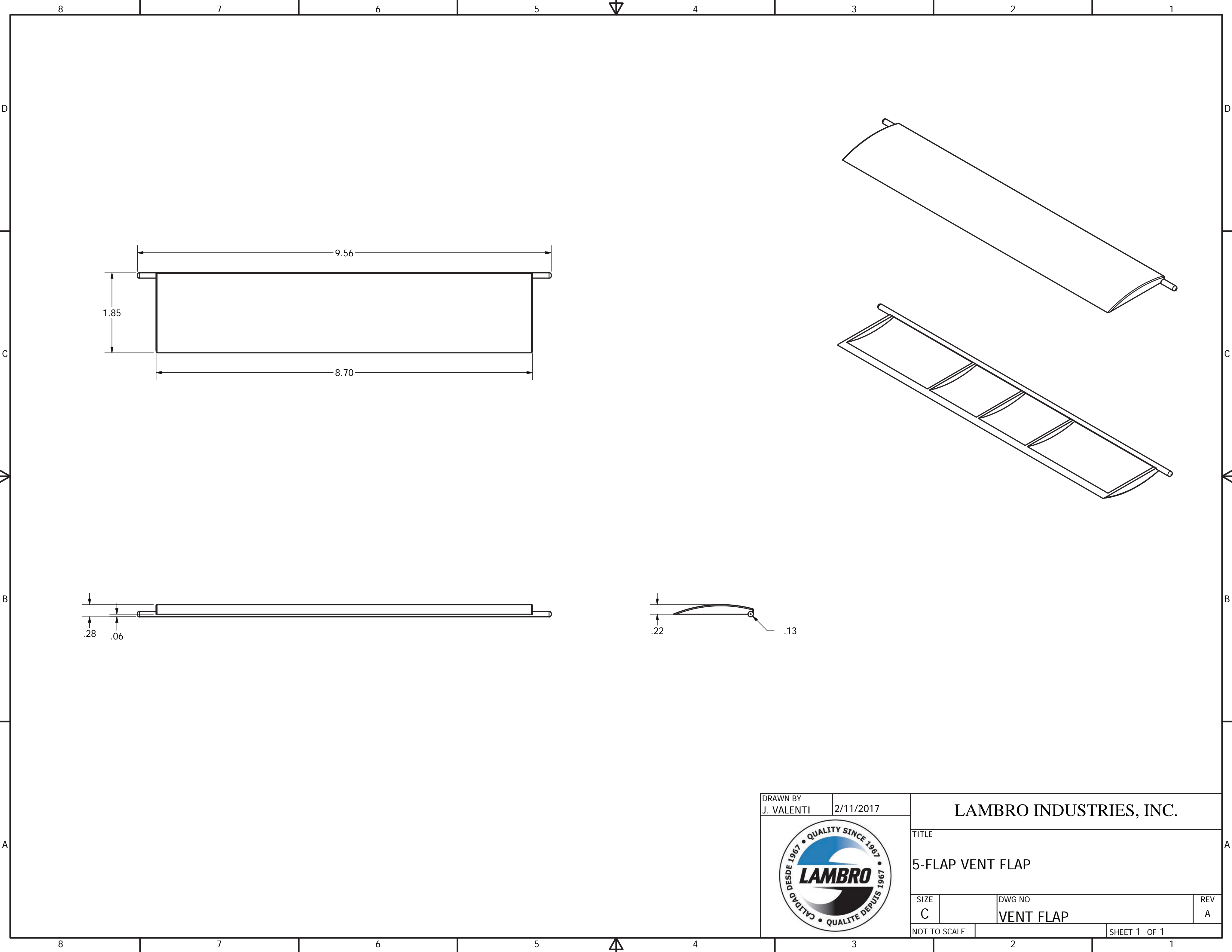
SECTION A-A

DRAWN BY J. VALENTI		2/11/2017		LAMBRO INDUSTRIES, INC.	
					
SIZE D	DWG NO 5FLAP WHITE VENT		REV A		NOT TO SCALE
				SHEET 1 OF 1	



SECTION A-A

DRAWN BY J. VALENTI		2/11/2017		LAMBRO INDUSTRIES, INC.	
					
SIZE D	DWG NO 5FLAP VENT BASE - 8in PORT	REV A	NOT TO SCALE		
SHEET 1 OF 1					



DRAWN BY  
J. VALENTI

2/11/2017



LAMBRO INDUSTRIES, INC.

TITLE			
5-FLAP VENT FLAP			
SIZE	DWG NO	REV	
C	VENT FLAP	A	
NOT TO SCALE	SHEET 1 OF 1		