

# ***JM-1450™ Electric Jet Operating Instructions***

**For 2" to 4" lines up to 150 ft. long**



Your JM-1450 Jet-Set electric water jet is designed to give you years of trouble-free, profitable service. However, no machine is better than its operator.

Read, understand and follow all safety warnings and instructions provided with the product. Failure to follow the warnings and instructions may result in electric shock and/or serious injury. Save all warnings and instructions for future reference.

**SAVE THESE INSTRUCTIONS!**

***Pour français voir la page 11***

***Para ver el español vea la página 21***

***General  
PIPE CLEANERS***



**WARNING**

Read and understand operator's manual before using this machine. Failure to follow operating instructions could result in death or serious injury.

**WARNING!** Read and understand all instructions. Failure to follow all instructions listed below may result in electric shock, fire and/or serious personal injury. Replacement manuals are available upon request at no charge, or may be downloaded from our website, [www.drainbrain.com](http://www.drainbrain.com). Instructional videos are available for download on our website, and may be ordered. If you have any questions or problems, please call General's customer service department at 412-771-6300.

**SAVE THESE INSTRUCTIONS!**

These instructions are intended to familiarize all personnel with the safe operation and maintenance procedures for the JM-1450.

**SAFETY SYMBOLS**



This is the safety alert symbol. It is used to alert you to potential personal injury hazards. Obey all safety messages that follow this symbol to avoid possible injury or death.

**DANGER**

DANGER indicates a hazard with a high level of risk which, if not avoided, will result in death or serious injury.

**WARNING**

WARNING indicates a hazard with a medium level of risk which, if not avoided, could result in death or serious injury.

**CAUTION**

CAUTION indicates a hazard with a low level of risk which, if not avoided, will result in minor or moderate injury.

**WARNING**

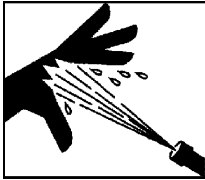


Electric shock resulting in death can occur if you plug this machine into an improperly wired outlet. If the ground wire is electrified, you can be electrocuted by just touching the machine, even when the power switch is off. A ground fault circuit interrupter will not protect you in this situation. Use a UL approved tester to determine if the outlet is safe.



Do not operate power tools in explosive atmospheres, such as in the presence of flammable liquids, gases, or dust. Power tools create sparks which may ignite the dust or fumes.

Do not spray flammable liquids. Risk of explosion. Flammable liquids can create fumes which can ignite causing property damage or severe injury.



Do not direct discharge stream at people. This equipment can produce a high pressure stream of fluid that can pierce skin and its underlying tissues, leading to serious injury and possible amputation or death.



Always wear safety glasses and rubber soled, non-slip shoes. High pressure spray can cause paint chips or other particles to become airborne and fly at high speeds. Use of this safety equipment may prevent serious injury.

**WARNING**

This product contains lead, a chemical known to the State of California to cause birth defects or other reproductive harm. Wash your hands after handling this product.

**WARNING**

This product contains one or more chemicals known to the State of California to cause cancer and birth defects or other reproductive harm.

## GENERAL SAFETY RULES



### WARNING

Read and understand all instructions. Failure to follow all instructions listed below may result in electric shock, fire, and/or serious injury.

### SAVE THESE INSTRUCTIONS!

#### WORK AREA SAFETY

1. **All installations must comply with local codes.** Contact your electrician, plumber, utility company or the selling distributor for specific details. To comply with the National Electrical code (NFPA 70) and provide additional protection from risk of electric shock, the machines are equipped with a UL approved ground fault circuit interrupter (GFCI) power cord.
2. **Risk of explosion. Do not spray flammable liquids or operate in an area where flammable or explosive materials are used or stored.** Power tools create sparks which may ignite dust and fumes.
3. **Keep bystanders, children, and visitors away while operating machine.** Distractions can cause you to lose control.

#### ELECTRICAL SAFETY

1. **Grounded tools must be plugged into an outlet, properly installed and grounded in accordance with all codes and ordinances. Never remove the grounding prong or modify the plug in any way. Do not use any adapter plugs. Check with a qualified electrician if you are in doubt as to whether the outlet is properly grounded.** If the tool should electrically malfunction or break down, grounding provides a low resistance path to carry electricity away from the user.
2. **Avoid body contact with grounded surfaces such as pipes, radiators, ranges and refrigerators.** There is an increased risk of electric shock if your body is grounded.
3. **Do not expose power tools to rain or wet conditions.** Water entering a power tool will increase the risk of electric shock.
4. **When operating a power tool outside use an outdoor extension cord marked "W-A" or "W".** These cords are rated for outdoor use and reduce the risk of electric shock.
5. **Test the Ground Fault Circuit Interrupter (GFCI) provided with the power cord to insure it is operating correctly before operating machine.** Machine must have a properly functioning ground fault circuit interrupter on the power cord. GFCI reduces the risk of electric shock.
6. **Extension cords are not recommended unless they are plugged into a Ground Fault Circuit Interrupter (GFCI) found in circuit boxes or outlet receptacles.** The GFCI on the machine power cord will not prevent electric shock from the extension cords.
7. **Only use proper three-wire extension cords in good condition of no more than 50 ft. in length which have three-prong grounding plugs and three-pole receptacles which accept the tools plug.** Use of damaged, inferior, or other extension cords will not ground the tool, increases the risk of damage to the machine, electric shock, bodily injury or death.
8. **Keep all electric connections dry and off the ground.** Reduces the risk of electric shock.

9. **DO NOT touch plugs or tools with wet hands.** Reduces the risk of electric shock.

#### GROUND FAULT CIRCUIT INTERRUPTER (GFCI)

Your machine is equipped with a ground fault circuit interrupter, which protects you against shock if a short circuit should occur. Check that receptacle is properly grounded. Test the GFCI before each use.

1. Plug into 120-volt receptacle.
2. Push test button. Indicator light will go out and power to machine should cut off.
3. If light does not go out when test button is pushed, **DO NOT USE THE MACHINE** until proper repairs can be made.
4. To restore power after test, push reset button. With the reset button depressed, if the machine doesn't start, stops while running, or if the operator experiences a mild shock, **DO NOT USE THE MACHINE!** Tag the machine out of service and take it to a motor repair center or return it to the factory for repairs.

#### PERSONAL SAFETY

1. **High pressure developed by jet machines will cause personal injury. Water spray should not be pointed at any person.** High pressure spray can result in serious injury. If fluid seems to have penetrated the skin, seek emergency medical attention at once.
2. **Grip jet hose or spray wand securely with both hands before starting the machine.** Failure to do so could result in injury from a whipping hose or wand.
3. **Always wear eye protection and rubber gloves.** Safety equipment, eye safety devices, non-skid safety shoes and protective clothing must be worn when using this equipment.
4. **Stay alert, watch what you are doing and use common sense when operating a power tool. Do not use tool while tired or under the influence of drugs, alcohol, or medication.** A moment of inattention while operating power tools may result in serious personal injury.
5. **Dress properly. Do not wear loose clothing or jewelry. Contain long hair. Keep your hair, clothing, and gloves away from moving parts.** Loose clothes, jewelry, or long hair can be caught in moving parts.

#### SERVICE

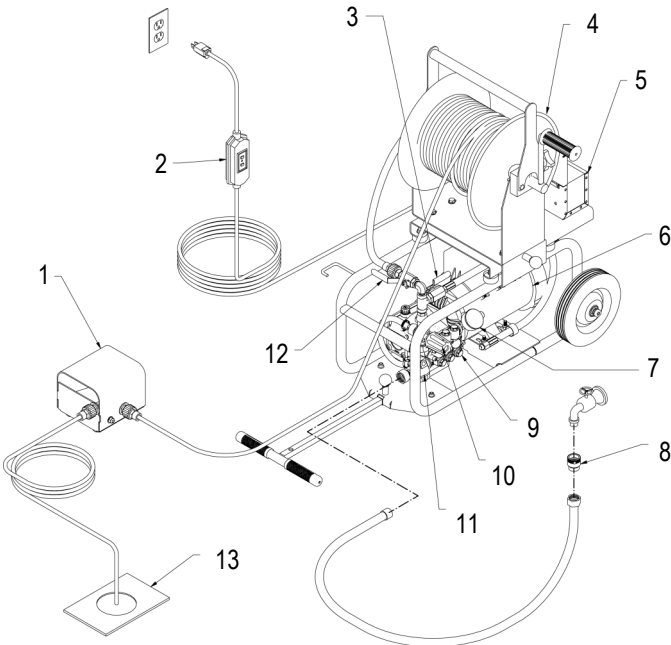
1. **Tool service must only be performed by qualified service personnel.** Service or maintenance performed by untrained personnel could result in injury and damage to the equipment.
2. **When servicing tool, use only identical replacement parts. Follow instructions in maintenance section of this manual.** Use of unauthorized parts or failure to follow maintenance instructions may cause injury or damage to equipment.

#### JET SAFETY

1. **Do not operate jet above rate pressure or above 140 degrees (rated water temperature).** Operating jet above rate specifications risks damage to the pump and related components, and will void the warranty.
2. **Do not operate jet with the output valve in the off position for extensive periods of time.** This will cause the water to overheat and damage the pump.
3. **Never run pump without water in it.** Operating the machine without water will cause the pump to fail and void the warranty.

4. Check for worn hose and components before each use. Check that all fittings are secured before using jet. Worn or loose fittings can cause damage to the machine and injure the operator.
5. Protect machine and pump from freezing. Storing or operating the jet in temperatures below freezing can damage pump, hose and other jet components. Store unit indoors or protect with anti-freeze when not in use.
6. General Wire Spring Co. will not be liable for any changes made to our standard machines or any components not purchased from General Wire Spring Co.

## JM-1450 SPECIFICATIONS



- |                              |                            |
|------------------------------|----------------------------|
| 1. Foot Pedal (optional)     | 8. Anti-Siphon Valve       |
| 2. GFCI                      | 9. Pump                    |
| 3. Vibra-Pulse Control Valve | 10. Unloader               |
| 4. Hose Reel                 | 11. Inlet Filter           |
| 5. Tool Box                  | 12. Pressure Control Valve |
| 6. Motor                     | 13. Drain                  |
| 7. Pressure Gauge            |                            |

### REMOVABLE HOSE REEL

The JM-1450 features a removable hose reel. It easily detaches in seconds to make the machine more compact to fit in small spaces in your truck, or crawl spaces under a building, or to more easily carry the machine up to a roof to clear lines via the roof vents. To remove reel, unscrew twist connect at the output valve, then simply pull the knob at the base of the hose reel, then lift the reel. To reattach reel, align the slot in the base of the reel with the tab on the support bracket. Then seat reel into bracket and allow the knob to snap back into place.



### SLIDE OUT HANDLE

A convenient slide-out handle makes the JM-1450 really portable. Lift the knob and extend the handle, then roll the machine to and from the job on the 8" wheels. Lift the knob to slide the handle back into place.



### JET HOSE

1. When selecting hose size, consider that pressure is lost as the water travels down the length of the hose. As the length increases, the pressure decreases. In addition, the smaller the diameter of the hose, the greater the loss of pressure per foot will be. As an example, a 2 GPM a 1/4" hose will lose 180 lbs. of pressure over 100 ft. of hose, yet a 3/8" hose will only lose 25 lbs. of pressure over the same length and at the same flow rate. At 4 GPM, a 3/8" hose will lose 90 lbs. of pressure over a 100 ft. length. The gauge reflects pressure from the pump only, not pressure at the end of the hose. It is important to select the largest possible hose size in order to have as much pressure as possible at the end of the hose.
2. Hoses of the same diameter may be coupled together using the CC-1 coupling, but it is not recommended for use in lines smaller than 8" in diameter. The long length of the hose connectors and coupling together can get caught in bends in the line. It is not advisable to have two different hose sizes coupled in a drain line. There is a tremendous loss of pressure when combined, aside from the difficulty of getting around bends.
3. The 3/8" and 1/4" hoses may be attached to the fitting in the core of the hose reel using the swivel at one end of the hose. The 1/8" accessory hose may also be attached directly to the output valve by using the twist connect supplied on the hose.

### HOSE SELECTION GUIDE

Hose Size (ID*)	Pipe Size	Typical Applications
1/8" (3.175mm)	1-1/2" - 2" (38mm - 51mm)	Small lines, bathroom sinks, tight bends
1/4" (6.350mm)	2" - 4" (51mm - 102mm)	Kitchen sinks, laundry drains, clean outs
3/8" (9.925mm)	4" - 8" (102mm - 230mm)	Floor drains, septic lines, long runs

\* Inside Diameter

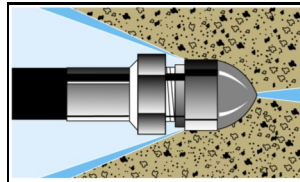
### JET NOZZLES

1. A variety of jet nozzles are available for drain cleaning. Each has a different spray pattern and purpose. Some nozzles may have an orifice in the front to cut through the stoppage. All will have holes in the back to drive the hose down the line and clean the walls of the pipe. A tight spray pattern (15°) has more driving power for long runs, a wide spray pattern (40°) does a better job of cutting the grease off of the walls of the pipe. A combination of nozzles may be required to clear a line. Always turn off the machine and turn off output valve before changing nozzles.

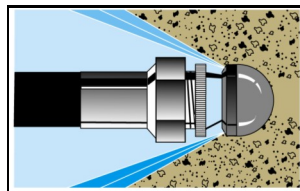


2. Make sure the nozzle you are using matches the pump size. A 3000 psi pump requires a different nozzle orifice than a 1500 psi pump. Mismatching nozzles with pump size will either cause too little pressure, which may not clear the drain, or too much pressure, which may damage the machine.
3. Check nozzles before and after each use for clogged holes which can cause pressure to increase to dangerously high levels and damage the pump. A clogged hole can be cleared by simply using the NCT Nozzle Cleaning Tool.
4. Use the nozzle selection guide to determine what nozzle you will need for various applications. Examples: If a nozzle is stamped #12, it is a JN-12, drilled for 1.7 GPM @ 1500 PSI with several 15° rear jets and one forward cutting jet.

**Powerful penetrating nozzle cuts through grease and ice.**

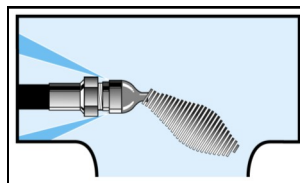
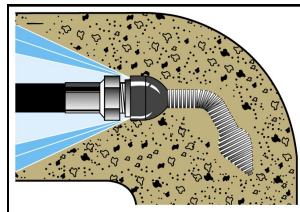


**Wide spray flushing nozzle cleans inside of pipe thoroughly.**



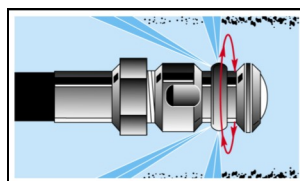
### SPECIALTY NOZZLES

Spring leader nozzles and down head nozzles are special nozzles to help hose travel through the pipe when there are a lot of Tee's, curves, and bends.



### ROTARY NOZZLES

Rotary nozzles are useful as a finishing tool. After the line has been cleared, you may switch to the rotary nozzle to more thoroughly clean the walls of the pipe. Use these nozzles only in a predominantly straight run since they are longer than regular nozzles and may get caught in tight bends.



### NOZZLE SELECTION GUIDE

HOSE SIZE	1/8"	1/4"	3/8"
	CAT #	CAT #	CAT #
15° Rear Jets w/No Forward Jet	JN-1	JN-11	JN-21
15° Rear Jets w/One Forward Jet	JN-2	JN-12	JN-22
30° Rear Jets w/No Forward Jet	JN-3	-	-
40° Rear Jets w/No Forward Jet	-	JN-14	JN-24
Spring Leader	JNSL-1	JNSL-2	JNSL-3
Down Head Nozzle	JNDH-1	-	-
Rotary Nozzle* (Optional)	-	JNRA-2 JNRB-2	-

\* Rotary Nozzles can be adapted to 1/8" and 3/8" hose using AD-3 or AD-4 adapters.

### JET ASSEMBLY

- Upon arrival, inspect the shipping crate for damages. Uncrate and examine all parts. Note any damage to machine or components for claims against freight carrier.
- Jet must be stored and operated in horizontal position. Never store in upright position or oil may leak from pump. If low, fill with SAE 30 weight non-detergent oil.
- Jet machines are meant to be used at or near the working area and under operator supervision. If machine must be located out of sight of operator, special controls may be required for proper machine operation and operator safety

### OPERATION

#### SET-UP

1. Locate the jet near the drain line on a level surface with drainage.
 

Tip: Ideally, the drain line should be cleared from the downstream side, that is, from the street back toward the house. If you must clear the line from the drain toward the street, you may need to use a siphon pump to clear away excess water.
2. Check the oil level in the pump. If low, fill with SAE 30 weight non-detergent oil.
3. Check the inlet filter to make sure it's clean before each use. To clean, unscrew filter cap, remove the screen and rinse thoroughly with water. Then, replace screen.
4. Check that incoming water supply is clean and free of debris. Turn the water source on for at least 15 seconds to remove any possible debris in the water before connecting hose to water inlet.
5. Connect one end of a water supply hose (not included) to the water supply and the other end to the water inlet of the jet machine. Water supply must be a minimum of 20 psi and not to exceed 100 psi. Caution: Water temperature must not exceed 140 degrees or damage to the pump can occur. Use only heavy duty 3/4" hose of

no more than 50 ft. in length. If run without an adequate water supply, the pump will cavitate. Cavitation causes the pump to vibrate, causing damage to the pump. Note: Lack of water supply can lead to seal damage, causing a loss of pressure and will void the warranty to the pump.

- Maximum temperature from the water source should not exceed 140°F (60°C). Using water hotter than 140°F (60°C) can cause damage to the pump and void the warranty. If jet is being used to clear ice blockages, see instructions on Ice Blockages.
- Select the proper hose diameter for the line to be cleaned. When using new hose, run water through it to clean it out before attaching the nozzle.

## OPERATION



**NEVER POINT THE END OF THE JET HOSE AT A PERSON WHILE OPERATING.**

- Select the correct jet hose size to match the line size you are clearing. (See Hose Section Guide) Check all hoses for wear and damage. Tighten all connections securely.
- Select the correct nozzle and attach to the end of the hose. (See Nozzle Selection Guide) Note: If you are using a new jet hose, run water through it to flush out debris before connecting a nozzle.
- Insert the jet hose 2 to 3 feet into the drain line before turning on machine.
- Turn on the water supply valve fully to allow for maximum flow.
- Turn on the jet output valve and allow water to run through the supply hose, jet, and jet hose to purge air from system before turning on the machine.
- Make sure that the output valve is turned on and the water is flowing.
- Plug in GFCI power cord to proper receptacle and voltage.
- While holding onto hose firmly to prevent hose from whipping around, turn the jet motor switch on.
- Guide the jet hose into the drain line. Do not feed the hose continuously, but rather, move the hose forward and back to allow the pressure to break up the stoppage and the water flow to flush it away. If you are clearing the line from the upstream side, this may take more time. Clearing the line from the downstream side allows debris to flow away easily.
- It is often helpful to turn on the Vibra-pulse valve. The vibration generated helps to hose overcome the friction in the line and glide farther down the line. See Vibra-pulse section.
- When the jet hose encounters a bend, it's advance will usually slow or stop. The hose has a slight bend in it from the hose reel. It may be necessary to manually feed or rotate the jet hose to work it around the bends. If the hose won't advance, put the hose in a loop and rotate it a quarter to half turn so the curve of the hose matches the pipe. It may also be necessary to pull the hose back six inches and snap it forward to hop across a gap in the pipe fitting.
- Once you reach the stoppage, pass the hose back and forth through the section several times to ensure the line is thoroughly cleared. You may also switch nozzles to a wide spray or rotary (optional) nozzle for wall to wall cleaning action.

## VIBRA-PULSE®

Pulsation makes the hose vibrate, helping the jet go longer distances and around tight bends easier. The pulse control valve is located on the front of the pump. Simply turn the valve on to engage the pulse. Vibra-pulse is most effective in a 1/8" hose. You'll notice less vibration with a 1/4" hose, and almost none with a 3/8" hose. However, the pulse is still effective, causing the water to burst from the nozzle hundreds of times per second. If you are still having difficulty getting hose around a tight bend, switch to a smaller diameter hose.

## SHUT DOWN INSTRUCTIONS

After drain cleaning or spray washing is completed, run clear water through the system. Always leave the output valve in the on position when turning off motor. Turn off water supply and drain as much water from the pump as possible. Remove water supply hose from inlet. If you are in a cold climate, see Freeze Protection section.

## SPECIAL APPLICATIONS

### ICE BLOCKAGES

High pressure water can be used to clear an ice blockage. A 3000 psi gas jet can clear a 4" line at an approximate rate of one foot per minute. The smaller, electric jet will take twice as long. Ambient air temperature will effect these times. Use a 15° nozzle with a forward jet. DO NOT allow the incoming water supply to exceed 140°F (60°C) or it could cause damage to the pump. Remember to follow the cold weather precautions found in the Freeze Protection section.

### FREEZE PROTECTION

To protect your machine from severe damage caused by water freezing inside the components, it is important to winterize it whenever it is subjected to freezing temperatures.

The best way to protect the system is to keep it out of the cold. Barring that, the next best way is to flush the system with anti-freeze. To do so, simply attach a short garden hose (not to exceed four feet) to inlet on the pump and put other end into the anti-freeze container. Be sure to remove the nozzle from the hose. Turn the machine on to draw anti-freeze into the system. When anti-freeze flows out of the end of the hose, turn the machine off. Connect high pressure hose and trigger, and follow above procedure. Cycle trigger on/off so that the anti-freeze will flow into unloader and injector section of machine.

When preparing to operate equipment for the next job, remove the anti-freeze. To do so, reconnect water source, turn pump on and direct flow of anti-freeze back into container. Be careful not to dilute anti-freeze with incoming water supply. Anti-freeze, if kept relatively undiluted, can be used again and again.

Hoses can also be protected from freezing by using compressed air to clear them of residual water. Remember to remove nozzle from jet hose and hold trigger of spray wand in open position.

## ADJUSTING PRESSURE UNLOADER

The machine is equipped with a regulating pressure unloader to prevent pressure overload in the event that the nozzle is clogged or the output valve or spray wand trigger is off. When the machine is in the bypass mode, the pump will continue to run. However, running in bypass mode for extended periods will cause damage to the pump - no more than 5 minutes with the J-1450 pump. Excessive temperatures will damage the pump and void the warranty.

If you are operating the electric jet with limited amperage available, you can reduce the amp draw of the machine by turning down the unloader. By turning the pressure down to 1000 psi, you can reduce the amp draw to less than 10 amps. To adjust the unloader, loosen the lock nut and turn the knob counter-clockwise to decrease pressure and clockwise to increase pressure. Caution: Do not over-tighten unloader. Tighten lock nut after adjustments are made.

## ACCESSORIES

### HANDY-REEL WITH FOOT PEDAL - Cat # HM-200-W (OPTIONAL)

The Handy-Reel allows for remote application of the jet. The jet can be positioned at ground level, while the Handy-Reel can be carried up on a roof to clear vents and stacks. With the help of the Handy-Reel, gas jets can be used for indoor applications while the machine operates safely outside. The Foot Pedal interrupts the flow of water between the pump and the nozzle while leaving both hands free to guide the hose. Position the Handy-Reel at the drain site. Connect the jet machine to the inlet on the Foot Pedal. Select and attach nozzle to the hose on the reel. Put the hose 2 to 3 ft. into the drain line. Follow the start-up procedures.

### FOOT PEDAL ONLY - Cat # FM-1 (OPTIONAL)

The Foot Pedal can be used with any jet manufactured by General. It interrupts the flow of water between the pump and the nozzle while leaving both hands free to guide the hose. The pump will continue to run in by-pass mode. Do not leave pump in by-pass for more than a few minutes or the pump can be damaged. (See Pressure Unloader)

The Foot Pedal may be connected either at the machine or remotely at the drain site. To use the foot pedal at the machine, remove the hose going to the swivel on the hose reel and attach it to the inlet side of the Foot Pedal. Then, connect the accessory hose (available in 6 ft., 25 ft., or 50 ft. lengths) between the outlet of the pedal and the swivel on the hose reel. Some jet models may need the added length of the accessory hose on the inlet side of the pedal.

For remote operation, pull the hose from the hose reel to the drain site. Attach the hose to the inlet of the pedal. The pedal is designed for 3/8" hose fittings. If using a 1/4" hose, use the AD-1 adapter, as well. Then, attach the smaller hose (1/8" or 1/4") to the outlet side of the pedal. Use the smaller hose to clear the drain line.

### SPRAY WAND - Cat # SWA-1500 (OPTIONAL)



**USE CAUTION WHEN PRESSURE WASHING. WEAR GOGGLES AND RUBBER GLOVES AND BOOTS. ANALYZE ANGLE OF SPRAY AND ANTICIPATE ANGLE OF BACK SPLASH. DO NOT POINT SPRAY AT ANYONE, INCLUDING YOURSELF. DO NOT PUT YOUR HAND IN FRONT OF WATER SPRAY. IT CAN PENETRATE THE SKIN AND CAUSE A NEED FOR AMPUTATION. IT IS BEST TO START AT A 45° ANGLE AT A 7 TO 10 FT. (2 TO 3M) DISTANCE FROM OBJECT TO BE CLEANED. DIRECT SPRAY AT CLOSE RANGE CAN BE POWERFUL ENOUGH TO CAUSE DAMAGE.**

The Spray Wand can be used to clean your truck or other applications. Caution: Never clean the machine with its own spray. Follow the same procedures listed previously for safety, set-up, operation, and maintenance. To operate the spray wand with your water jet, disconnect the twist connect at the output valve. Then, connect the spray wand hose, trigger and wand at the output valve. Turn on the water supply, then squeeze the trigger to purge air from the system. Continue to squeeze trigger as you turn on the machine.

Hold the high pressure spray nozzle approximately 6 – 8 ft. from the surface to be cleaned. When cleaning with a detergent, apply from bottom up with an even left to right movement. Rinse from top down with a similar motion. This will help reduce potential streaking. Always apply soap to a dry surface. This will enhance penetration and detergent cling and reduce dilution of detergent with an already wet surface.

You may draw soap through the spray wand in conjunction with the optional chemical injector. First set up the Chemical injector system (see Chemical Injector). Then, simply turn the nozzle barrel on the end of the wand counter-clockwise. As the spray pattern widens, more of the detergent will be drawn through the wand. Turn the nozzle clockwise to reduce the detergent flow and narrow the water spray pattern to return to high pressure.

### CHEMICAL INJECTOR – Cat # CMA-1 (Optional)

To use the chemical injector, disconnect the Twist Connect at the output valve on the jet. Then thread the Chemical Injector on to it. The Spray Wand then threads onto the free end of the Chemical Injector. Do not attach Chemical Injector to the inlet side of the pump. Detergents can damage pump.

To use the detergent injector, attach one end of the siphon hose to the barbed fitting on the injector and put the filter end into the detergent solution. Be sure the end of the hose is at the bottom of the container or bucket. Some models have adjustable valves to control the amount of detergent drawn through the hose.

## MAINTENANCE



**DISCONNECT JETTER FROM POWER SOURCE BEFORE PERFORMING MAINTENANCE OR MAKING ANY ADJUSTMENTS.**

Regular inspection is the key to preventing breakdowns and prolonging the life of the equipment. Follow this simple procedure religiously.

#### DAILY

- Check INLET FILTER for debris before each use.
- Check that the PUMP OIL LEVEL is within operating range on dipstick or sight glass.
- Check that the jet nozzles are not clogged or worn out.

#### WEEKLY

- Check the pressure hose for wear and damage. . Damaged hose can be repaired at a local service dealer or by your equipment dealer.

**Pump Crankcase Oil Change:** Service after the 1st month, or after 20 hours. Then service every year or 500 hours. Use SAE 30W Non-Detergent Motor Oil to full mark on dipstick or to dot on sight glass.

TROUBLE SHOOTING GUIDE		
Problem	Probable Cause	Solution
Low pressure.	Worn, clogged, or oversized nozzle.	Clean or replace worn nozzle. Check nozzle size.
	Clogged water inlet strainer.	Clean or replace strainers.
	Inadequate water supply.	Make certain water supply valve is on fully. Make certain water supply hose is at least 3/4" in diameter, in good condition, with no kinks or damage, and is not longer than 50 ft.
	Worn or damaged piston cups.	Replace piston cups.
	Worn or damaged inlet or discharge valve.	Replace worn valve poppets or valve springs.
	Dirt or foreign particles in valve assembly.	Remove any dirt particles.
	Air leak in inlet plumbing.	Locate air leak. Re-seal connection or replace damaged port.
Rough operation with loss of pressure.	Restricted inlet plumbing or air leak in inlet plumbing.	Repair clogged inlet fittings. Check supply hose and ensure adequate water supply.
	Damaged piston, cup or pump valve.	Replace any damaged pump parts and clean out any foreign particles.
	Clogged nozzle.	Clean or replace nozzle.
Water leakage at intake manifold or crankcase.	Worn manifold seals, piston or o-rings, or condensation inside crankcase.	Replace seals, sleeves or o-rings. Change oil at regular intervals.
	Inadequate water supply to pump, creating a vacuum lock.	Ensure adequate tap water supply. Clear inlet filter.
Oil leaks.	Worn pistons and/or leaking crank seals, crankcase cover seal, or drain plugs.	Replace seals, sleeves or o-rings.
Excessive wear.	Worn or loose bearings.	Replace bearings. Check bearing seals, spacers and retainers. Replace any worn parts.
Short pump life.	Scored cylinders from pumping acids.	Replace cylinders. Do not pump acid solutions. For acid application, ask your dealer for a pump saver injector.
	Abrasive particles in fluid being pumped.	Replace water and detergent strainers if damaged or missing. Install additional filter if fine abrasives are still evident.
	Operator(s) running pump without water supply.	Do not allow jetter to be run without proper water supply.
	Hot water in pump.	Do not run in bypass for more than 5 minutes. Do not let water supply exceed 140°F (60°C).
Irregular spray pattern.	Worn or partially clogged nozzle.	Clean or replace nozzle.



TROUBLE SHOOTING GUIDE continued		
Problem	Probable Cause	Solution
Washer fails to draw detergent.	Detergent metering valve closed, or valve clogged or defective.	Open detergent metering valve, following procedure in operating instructions.
	Back pressure in hose (when using additional lengths of pressure hose).	Contact dealer for proper injector size when adding lengths of hose.
	Back pressure in pressure hose (when using dual lance wand).	Use proper size flood nozzle in dual lance wand (refer to parts breakdown).
	Suction tube not below liquid surface.	Completely submerge suction tube and strainer in detergent solution.
	Clogged or damaged suction strainer.	Clean or replace strainer.
Detergent solution too weak.	Clogged detergent strainer.	Clean or replace strainer.
	Air leak in detergent suction tube or inlet plumbing.	Find air leak and clean or replace parts as necessary.
Detergent solution too concentrated.	Original detergent too concentrated.	Dilute product as necessary to achieve proper concentration.
Detergent in rinse cycle.	Dual lance wand or adjustable nozzle holder in open position or chemical metering valve open.	Close dual lance wand adjustable lance holder to achieve high pressure. Close detergent metering valve.
	Worn or defective internal check valve.	Repair or replace check valve or injector parts as necessary.
Dilution of detergent concentrate during cycle.	Defective check valve in detergent tank.	Replace parts as necessary.
Unloader cycles.	Fitting leaking downstream.	Tighten/replace fitting.
	Piston or valve spring broken or worn.	Replace parts as necessary.
	Clogged nozzle.	Clean or replace nozzle.
Fluid leaking from body.	O-ring worn or cut.	Replace part as necessary.
Unloader will not come to pressure.	Foreign particle in valve.	Clean or replace valve.
	Nozzle worn or wrong size.	Replace part as necessary.
	Piston or valve worn.	Replace part as necessary.
Extreme pressure spikes.	Adjusting nut turned completely into unloader.	Back off adjusting nut.
	Clogged nozzle.	Clean or replace nozzle.

**See pages 30 - 31 for Parts List and Schematic Diagram.**



# Jet électrique JM-1450™

## Mode d'emploi

Pour les conduites de 51 à 102 mm (2 à 4 pouces) jusqu'à 46 m (150 pieds) de long



Le jet d'eau électrique Jet-Set JM-1450 est conçu pour fournir de nombreuses années d'utilisation bénéfique, sans problème. Toutefois, aucune machine n'est meilleure que son opérateur.

Veillez lire, bien comprendre et suivre tous les avertissements et instructions de sécurité fournis avec le produit. Si les avertissements et instructions ne sont pas respectés, cela peut conduire à l'électrocution et/ou des blessures graves. Conservez tous les avertissements et instructions pour servir de référence future.

**CONSERVEZ CES INSTRUCTIONS !**

**General**  
**PIPE CLEANERS**



**AVERTISSEMENT**

Veillez lire et bien comprendre le manuel de l'opérateur avant d'utiliser cette machine. Si le mode d'emploi n'est pas respecté, cela pourrait conduire à la mort ou des blessures graves.

**AVERTISSEMENT ! Il faut lire et bien comprendre toutes les instructions.** Si les instructions indiquées ci-dessous ne sont pas toutes respectées, cela peut conduire à l'électrocution, l'incendie et/ou des blessures graves. Des manuels de rechange sont disponibles gratuitement sur demande ou peuvent être téléchargés à partir de notre site Internet : [www.drainbrain.com](http://www.drainbrain.com). Des vidéos d'instruction sont disponibles pour être téléchargées sur notre site Internet, ou peuvent être commandées. Pour toute question ou problème, n'hésitez pas à appeler le service à la clientèle de General au 412-771-6300.

**CONSERVEZ CES INSTRUCTIONS !**

**Ces instructions sont conçues pour permettre à l'ensemble du personnel de se familiariser avec le fonctionnement sécurisé et les procédures de maintenance du JM-1450.**

**SYMBOLES DE SÉCURITÉ**



Ceci est le symbole d'alerte de sécurité. Il est utilisé pour vous alerter des dangers potentiels de blessure. Il faut respecter tous les messages de sécurité qui suivent ce symbole afin d'éviter les risques possibles de blessure ou de mort.

**DANGER**

DANGER indique un danger avec un risque de niveau élevé qui, s'il n'est pas évité, conduira à la mort ou des blessures graves.

**AVERTISSEMENT**

AVERTISSEMENT indique un danger avec un risque de niveau moyen qui, s'il n'est pas évité, pourrait conduire à la mort ou des blessures graves.

**PRÉCAUTION**

PRÉCAUTION indique un danger avec un risque de niveau faible qui, s'il n'est pas évité, conduira à des blessures mineures ou modérées.

**AVERTISSEMENT**



Une décharge électrique conduisant à la mort peut se produire si l'on branche cette machine dans une prise mal câblée. Si le fil de masse est sous tension, vous pouvez être électrocuté simplement en touchant la machine, même si l'interrupteur d'alimentation est arrêté. Un disjoncteur de fuite à la terre ne protégera pas dans cette situation. Utiliser un testeur approuvé par UL pour déterminer si la prise est sécurisée.

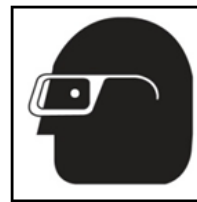


Ne pas utiliser les outils électriques dans des environnements explosifs tels que ceux où des liquides, des gaz ou de la poussière inflammables sont présents. Les outils électriques créent des étincelles qui peuvent enflammer la poussière de la fumée.

Ne pas pulvériser les liquides inflammables. Risque d'explosion. Les liquides inflammables peuvent créer des vapeurs qui peuvent s'enflammer, causant ainsi des dommages matériels ou des blessures graves.



Ne pas orienter le jet de refoulement vers le personnel. Cet équipement peut produire un jet de fluide haute pression qui peut perforer la peau et les tissus sous-jacents, ce qui conduirait à des blessures graves et un risque possible d'amputation ou de mort.



Toujours porter des lunettes de sécurité et des chaussures non glissantes, à semelle en caoutchouc. La pulvérisation haute pression peut entraîner les éclats de peinture et autres particules dans l'air à grande vitesse. L'utilisation de cet équipement de sécurité peut empêcher les blessures graves.

**AVERTISSEMENT**

Ce produit contient du plomb, produit chimique reconnu par l'état de Californie comme causant des anomalies congénitales ou autres troubles reproductifs. Il faut se laver les mains après avoir manipulé ce produit.

**AVERTISSEMENT**

Ce produit contient un ou plusieurs produits chimiques reconnus par l'état de Californie comme causant le cancer et les anomalies congénitales ou autres troubles reproductifs.



## RÈGLES GÉNÉRALES DE SÉCURITÉ

### AVERTISSEMENT

Il faut lire et bien comprendre toutes les instructions. Si les instructions indiquées ci-dessous ne sont pas toutes respectées, cela peut conduire à l'électrocution, l'incendie et/ou des blessures graves.

### CONSERVEZ CES INSTRUCTIONS !

## SÉCURITÉ DE LA ZONE DE TRAVAIL

1. **Toutes les installations doivent satisfaire aux codes locaux.** Contacter un électricien, un plombier, le service public ou le distributeur ayant vendu la machine pour des détails particuliers. Pour satisfaire au code national électrique (NFPA 70) et fournir une protection supplémentaire contre les risques d'électrocution, les machines sont équipées d'un cordon d'alimentation à disjoncteur de fuite à la terre (ground fault circuit interrupter, GFCI) homologué UL.
2. **Risque d'explosion. Ne pas pulvériser de liquide inflammable ou utiliser dans une zone où des substances inflammables ou explosives sont utilisées ou stockées.** Les outils électriques créent des étincelles qui peuvent enflammer la poussière et les vapeurs.
3. **Gardez les spectateurs, les enfants et les visiteurs éloignés pendant l'utilisation de la machine.** Les distractions peuvent faire perdre contrôle.

## SÉCURITÉ ÉLECTRIQUE

1. **Les outils mis à la terre doivent être branchés sur une prise, installés et correctement et mis à la terre conformément à tous les codes et les règlements. Ne jamais retirer la broche de mise à la terre ou modifier la prise d'une façon quelconque. Ne pas utiliser de fiche d'adaptation. Consulter un électricien qualifié s'il existe un doute concernant la mise à la terre correcte de la prise.** Si l'outil subit une panne ou une défaillance électrique, la mise à la terre fournit un chemin de résistance faible pour éloigner l'électricité de l'utilisateur.
2. **Éviter les contacts entre le corps et les surfaces mises à la terre telles que les tuyaux, radiateurs, cuisinières et réfrigérateurs.** Le risque d'électrocution augmente si le corps est mis à la terre.
3. **Ne pas exposer les outils électriques à la pluie ou des environnements humides.** La pénétration de l'eau dans un outil électrique augmente le risque d'électrocution.
4. **Lorsqu'on utilise un outil électrique à l'extérieur, utiliser une rallonge de câble marquée « W-A » ou « W ».** Ces rallonges sont homologuées pour l'utilisation à l'extérieur et réduisent les risques d'électrocution.
5. **Tester le disjoncteur de fuite à la terre (Ground Fault Circuit Interrupter, GFCI) fourni avec le cordon d'alimentation pour s'assurer qu'il fonctionne correctement avant d'utiliser la machine.** La machine doit avoir un disjoncteur de fuite à la terre en bon état de marche sur le cordon d'alimentation. Le GFCI réduit les risques d'électrocution.
6. **Les rallonges de câble ne sont pas recommandées si elles ne sont pas branchées sur un disjoncteur de fuite à la terre (Ground Fault Circuit Interrupter, GFCI) du type se trouvant dans un boîtier de circuit ou un réceptacle.** Le GFCI sur le cordon d'alimentation de la machine n'empêchera pas les décharges électriques provenant des rallonges de câble.
7. **Utiliser seulement des rallonges de câble à trois fils, en bon état, d'une longueur maximale de 15 m (50 pieds), qui ont des prises de mise à la terre à trois fiches et des réceptacles tripolaires qui acceptent la prise de l'outil.** L'utilisation de rallonges de câble endommagées, de qualité inférieure, ou autres qui ne mettront pas l'outil à la masse augmente les risques de dommage de la machine, d'électrocution, de blessure ou de mort.
8. **Garder toutes les connexions électriques sèches et au-dessus du sol.** Réduit les risques d'électrocution.
9. **NE PAS toucher les prises ou les outils avec des mains mouillées.** Réduit les risques d'électrocution.

## DISJONCTEUR DE FUITE À LA TERRE (GFCI)

Cette machine est équipée d'un disjoncteur de fuite à la terre, qui protège contre l'électrocution en cas de court-circuit. Vérifier que le réceptacle est correctement mis à la masse. Tester le GFCI avant chaque utilisation.

1. Brancher dans un réceptacle de 120 volts.
2. Appuyer sur le bouton de test. Le voyant indicateur s'éteint et l'alimentation de la machine doit être coupée.
3. Si le voyant ne s'éteint pas lorsque le bouton de test est enfoncé, **NE PAS UTILISER LA MACHINE** tant que des réparations appropriées n'ont pas été effectuées.
4. Pour rétablir l'alimentation après le test, appuyer sur le bouton de réinitialisation. Avec le bouton de réinitialisation enfoncé, si la machine ne démarre pas, si elle s'arrête pendant la marche ou si l'opérateur ressent une secousse électrique légère, **NE PAS UTILISER LA MACHINE !** Étiqueter la machine pour la mettre hors service et l'amener dans un centre de réparation de moteurs ou la renvoyer à l'usine pour des réparations.

## SÉCURITÉ PERSONNELLE

1. **La pression élevée produite par les machines de jet cause des blessures. Le jet d'eau ne doit pas être orienté vers le personnel.** La pulvérisation haute pression peut causer des blessures graves. Si le fluide semble avoir perforé la peau, appeler immédiatement un service médical d'urgence.
2. **Saisir le tuyau flexible de jet ou la lance de pulvérisation en toute sécurité avec les deux mains avant de démarrer la machine.** Sinon, cela pourrait conduire à des blessures causées par la perte de contrôle du tuyau flexible ou de la lance.
3. **Toujours porter une protection des yeux et des gants en caoutchouc.** L'équipement de sécurité, des dispositifs de sécurité des yeux, des chaussures de sécurité sans glissement et des vêtements de protection doivent être portés pendant l'utilisation de cet équipement.
4. **Rester alerte, observer ce que l'on fait et conserver son bon sens lors de l'utilisation d'un outil électrique. Ne pas utiliser l'outil si l'on est fatigué ou sous l'influence de drogues, d'alcool ou de médicaments.** Une seconde d'inattention pendant l'utilisation des outils électriques pourrait conduire à des blessures graves.
5. **Se vêtir correctement. Ne pas porter de vêtements lâches ou de bijoux. Renfermer les cheveux longs. Garder les cheveux, les vêtements et les gants éloignés des pièces en mouvement.** Les vêtements lâches, les bijoux ou les cheveux longs peuvent être coincés dans les pièces en mouvement.

## ENTRETIEN

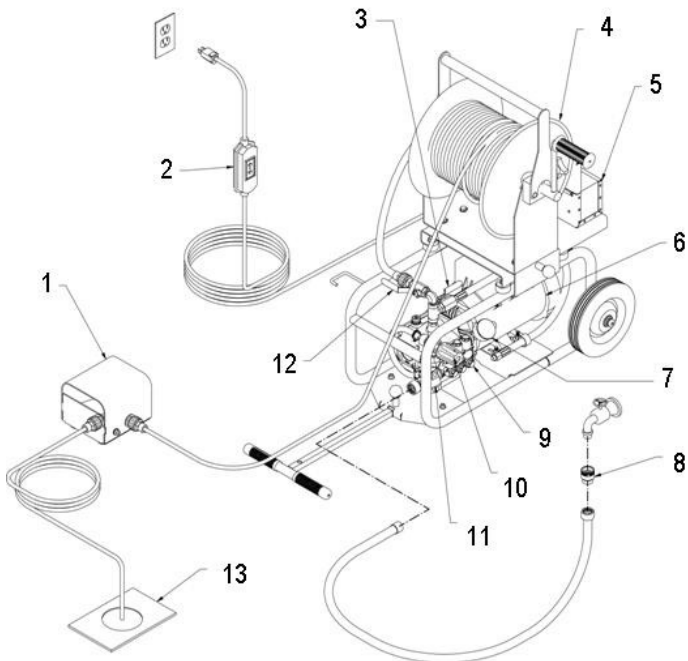
1. **L'entretien de l'outil doit être effectué seulement par le personnel d'entretien qualifié.** L'entretien ou la maintenance effectué par le personnel non formé pourrait conduire à des blessures ou des dommages de l'équipement.
2. **Lors de l'entretien de l'outil, utiliser seulement des pièces de rechange identiques. Suivre les instructions de la section de maintenance dans ce manuel.** L'utilisation de pièces non autorisées ou le non-respect des instructions de maintenance peut causer des blessures ou des dommages de l'équipement.

## SÉCURITÉ DU JET

1. **Ne pas utiliser la machine de jet au-dessus de la pression nominale ou à plus de 140 degrés (température nominale de l'eau).** L'utilisation d'un jet à des valeurs supérieures aux spécifications nominales peut endommager la pompe et les composants associés et annulera la garantie.
2. **Ne pas utiliser la machine avec la soupape de sortie en position d'arrêt pendant des périodes prolongées.** Ceci cause la surchauffe de l'eau et les dommages de la pompe.
3. **Ne jamais faire marcher la pompe sans eau à l'intérieur.** L'utilisation de la machine sans eau causera la défaillance de la pompe et annulera la garantie.

- Rechercher les flexibles et les composants usés avant chaque utilisation. Vérifier que tous les raccords sont sécurisés avant d'utiliser la machine de jet. Des raccords usés ou desserrés peuvent causer des dommages de la machine et des blessures de l'opérateur.
- Protéger la machine et la pompe contre le gel. L'entreposage ou l'utilisation de la machine de jet à des températures de gel peut endommager la pompe, le flexible et les autres composants du jet. Entreposer l'unité à l'intérieur ou la protéger avec un antigel lorsqu'elle n'est pas utilisée.
- General Wire Spring Co. ne sera pas responsable de toute modification apportée à nos machines standard ou de tout composant non acheté auprès de General Wire Spring Co.

## SPÉCIFICATIONS DU JM-1450



- |                                    |                                     |
|------------------------------------|-------------------------------------|
| 1. Pédale (en option)              | 8. Soupape antisiphon               |
| 2. GFCI                            | 9. Pompe                            |
| 3. Soupape de contrôle d'impulsion | 10. Soupape de décharge             |
| 4. Dévidoir de tuyau               | 11. Filtre d'arrivée                |
| 5. Boîte à outils                  | 12. Soupape de contrôle de pression |
| 6. Moteur                          | 13. Drain                           |
| 7. Manomètre                       |                                     |

## DÉVIDOIR DE FLEXIBLE AMOVIBLE

Le JM-1450 possède un dévidoir de flexible amovible. Il se détache facilement en quelques secondes pour rendre la machine plus compacte pour l'installer dans les espaces réduits d'un camion ou le vide sanitaire sous un bâtiment, ou pour la transporter plus facilement sur un toit pour nettoyer les conduites avec les événements du toit. Pour retirer le dévidoir, dévisser le raccord de torsion à la soupape de sortie, puis tirer simplement le bouton à la base du dévidoir de flexible et soulever le dévidoir. Pour rattacher le dévidoir, aligner la fente dans la base du dévidoir avec la languette sur l'attache de support. Puis installer le dévidoir dans l'attache et laisser le bouton se remettre en place avec un déclic.



## GUIDON COULISSANT

Un guidon coulissant commode rend le JM-1450 tout à fait portatif. Soulever le bouton et déployer le guidon, puis rouler la machine pour l'amener au travail et la ramener du travail sur ses roues de 20 cm (8 pouces). Soulever le bouton pour remettre le guidon en place.



## FLEXIBLE DE JET

- Lors de la sélection de la taille du flexible, il faut considérer les pertes de pression lorsque l'eau traverse la longueur du flexible. À mesure que la longueur augmente, la pression diminue. En outre, plus le diamètre du flexible est petit, plus la perte de pression par mètre sera grande. Par exemple, à 2 gallons/minute, un flexible de 6,350 mm (1/4 pouce) perdra 180 livres de pression sur 30,5 m (100 pieds) de longueur, mais un flexible de 9,925 mm (3/8 pouce) perdra seulement 25 livres de pression sur la même longueur et au même débit. À 4 gallons/minute, un flexible de 9,925 mm (3/8 pouce) perdra 90 livres de pression sur une longueur de 30,5 m (100 pieds). Le manomètre indique la pression de la pompe seulement, pas la pression à l'extrémité du flexible. Il est important de sélectionner la taille de flexible la plus large possible afin d'avoir le plus de pression possible à l'extrémité du flexible.
- Des flexibles de même diamètre peuvent être accouplés à l'aide de l'accouplement CC-1, mais il n'est pas recommandé pour être utilisé sur des conduites de moins de 20 cm (8 pouces) de diamètre. La longueur importante des connecteurs avec des accouplements de flexible peut causer leur coincement dans les coudes de la conduite. Il n'est pas recommandé d'avoir deux flexibles de tailles différentes accouplés dans une conduite de drain. Cet accouplement cause une perte de pression énorme, en plus du problème de passer par les coudes.
- Les flexibles de 9,925 mm (3/8 pouce) et 6,350 mm (1/4 pouce) peuvent être attachés au raccord au centre du dévidoir de flexible à l'aide du pivot à l'extrémité du flexible. Le flexible accessoire de 3,175 mm (1/8 pouce) peut aussi être attaché directement à la soupape de sortie en utilisant le raccord de torsion fourni avec le flexible.

## GUIDE DE SÉLECTION DE FLEXIBLE

Taille de flexible (D.I.*)	Taille de tuyau	Applications typiques
3,175 mm (1/8 pouce)	38 - 51 mm (1-1/2 - 2 pouces)	Petites conduites, lavabos de salle de bain, coudes serrés
6,350 mm (1/4 pouce)	51 - 102 mm (2 - 4 pouces)	Éviers de cuisine, drains de buanderie, regards de nettoyage
9,925 mm (3/8 pouce)	102 - 230 mm (4 - 8 pouces)	Drains de plancher, conduites septiques, conduites longues

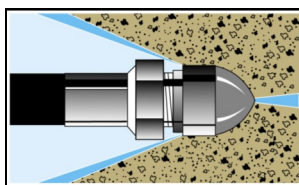
\* Diamètre intérieur

## TUYÈRES DE JET

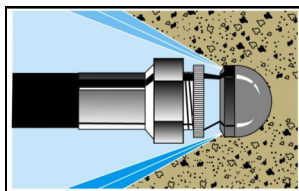
- Plusieurs types de tuyère de jet sont disponibles pour le nettoyage des drains. Chacun possède un mode d'arrosage différent pour un objectif différent. Certaines tuyères peuvent avoir un orifice à l'avant pour dégager les blocages. Toutes possèdent des trous à l'arrière pour entraîner le flexible dans la conduite et nettoyer les parois de la tuyauterie. Un angle de pulvérisation faible (15°) a une puissance d'entraînement plus grande pour les conduites longues ; un angle de pulvérisation large (40°) est préférable pour éliminer la graisse des parois de tuyauterie. Une combinaison de tuyères peut être nécessaire pour nettoyer une conduite. Il faut toujours arrêter la machine et fermer la soupape de sortie avant de changer de tuyère.

2. S'assurer que la tuyère utilisée correspond à la taille de la pompe. Une pompe de 3000 psi nécessite un orifice de tuyère différent de celui d'une pompe de 1500 psi. Si les tuyères ne sont pas assorties à la taille de la pompe, cela causera une pression trop faible, qui pourrait ne pas nettoyer le drain, ou une pression trop forte, qui pourrait endommager la machine.
3. Vérifier les tuyères avant et après chaque utilisation pour déceler des trous bouchés, ce qui pourrait causer une augmentation de pression à des niveaux trop élevés et endommager la pompe. Un trou bouché peut être dégagé simplement en utilisant l'outil de nettoyage de tuyère (Nozzle Cleaning Tool, NCT).
4. Utiliser le guide de sélection de tuyère pour déterminer la tuyère que vous nécessitez pour diverses applications. Exemples : Si une tuyère est marquée #12, c'est une JN-12, fabriquée pour 1,7 gallons/minute à 1500 PSI avec plusieurs jets arrière de 15° et un jet avant pour la coupe.

**La tuyère à pénétration puissante élimine la graisse et la glace.**

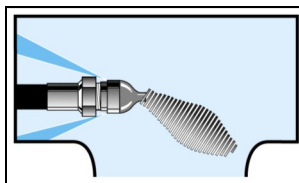
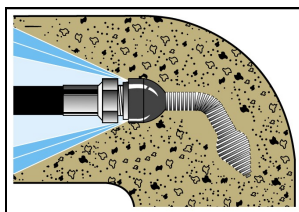


**La tuyère de rinçage à grand angle nettoie complètement l'intérieur de la tuyauterie.**



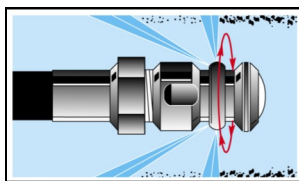
### TUYÈRES TOURNANTES

Les tuyères de tête à ressort et les tuyères à tête abaissé sont des tuyères spéciales qui aident le flexible à traverser la tuyauterie lorsqu'il existe beaucoup de raccords en T, courbes et coudes.



### ROTARY NOZZLES

Les tuyères tournantes sont utiles en tant qu'outil de finition. Après le dégagement de la conduite, on peut utiliser la tuyère tournante pour nettoyer à fond les parois de tuyauterie. Utiliser ces tuyères seulement sur des longueurs essentiellement droites puisqu'elles sont plus longues que les tuyères standard et peuvent être coincées dans les coudes serrés.



## GUIDE DE SÉLECTION DE TUYÈRE

TAILLE DE FLEXIBLE	3,175 mm (1/8 pouce)	6,350 mm (1/4 pouce)	9,925 mm (3/8 pouce)
	N° de CAT.	N° de CAT.	N° de CAT.
Jets arrière de 15° sans jet avant	JN-1	JN-11	JN-21
Jets arrière de 15° avec un jet avant	JN-2	JN-12	JN-22
Jets arrière de 30° sans jet avant	JN-3	-	-
Jets arrière de 40° sans jet avant	-	JN-14	JN-24
Tête à ressort	JNSL-1	JNSL-2	JNSL-3
Tuyère à tête abaissé	JNDH-1	-	-
Tuyère tournante* (option)	-	JNRA-2 JNRB-2	-

\* Les tuyères tournantes peuvent être adaptées aux flexibles de 3,175 mm (1/8 pouce) et 9,925 mm (3/8 pouce) à l'aide des adaptateurs AD-3 ou AD-4.

## MONTAGE DE LA MACHINE DE JET

- Dès son arrivée, inspecter la caisse d'expédition pour déceler les dommages. Débaler et examiner toutes les pièces. Noter tous les dommages subis par la machine ou les composants pour déposer une réclamation contre le transporteur.
- La machine de jet doit être entreposée et utilisée en position horizontale. Ne jamais l'entreposer en position verticale, sinon l'huile pourrait couler de la pompe. Si le niveau d'huile est bas, remplir avec de l'huile non détergente SAE 30.
- Les machines à jet sont conçues pour être utilisées dans la zone de travail ou près de celle-ci, sous la supervision d'un opérateur. Si la machine doit être située hors du champ de vision de l'opérateur, des contrôles spéciaux peuvent être nécessaires pour le bon fonctionnement de la machine et la sécurité de l'opérateur.

## FONCTIONNEMENT

### RÉGLAGE

1. Situer la machine de jet près de la conduite de drain sur une surface de niveau munie d'un drainage.  
Conseil : Idéalement, la conduite de drain devrait être dégagée à partir du côté aval, c'est-à-dire à partir de la rue vers la maison. S'il est nécessaire de dégager la conduite à partir du drain vers la rue, une pompe à siphon peut être requise pour éliminer l'excès d'eau.
2. Vérifier le niveau d'huile dans la pompe. Si le niveau d'huile est bas, remplir avec de l'huile non détergente SAE 30.
3. Vérifier le filtre d'admission pour s'assurer qu'il est propre avant chaque utilisation. Pour le nettoyer, dévisser le capuchon du filtre, retirer l'écran et rincer à fond avec de l'eau. Puis, remettre l'écran en place.
4. Vérifier que l'arrivée d'eau est propre et sans débris. Ouvrir l'arrivée d'eau pendant 15 secondes au moins pour retirer tous les débris éventuels dans l'eau avant de connecter le flexible à l'admission d'eau.
5. Connecter une extrémité du flexible d'alimentation d'eau (non inclus) à l'alimentation d'eau et l'autre extrémité à l'admission d'eau sur la machine de jet. L'alimentation d'eau doit avoir une pression minimale de 20 psi, sans dépasser 100 psi. Précaution : La température de l'eau ne doit pas dépasser 140 degrés, sinon la pompe pourrait être endommagée. Utiliser seulement un flexible renforcé de 19,05 mm (3/4 pouce)



d'une longueur maximale de 15 m (50 pieds). Si elle marche sans alimentation d'eau suffisante, la pompe sera sujette à la cavitation. La cavitation fait vibrer la pompe et l'endommage. Remarque : Si l'alimentation d'eau est insuffisante, les joints d'étanchéité pourraient être endommagés, ce qui causerait une perte de pression et annulerait la garantie de la pompe.

- La température maximale de l'alimentation d'eau ne doit pas dépasser 60°C (140°F). L'utilisation d'une eau à une température supérieure à 60°C (140°F) peut endommager la pompe et annuler la garantie. Si le jet est utilisé pour dégager des blocages causés par la glace, se reporter aux instructions sous la rubrique Blocages de glace.
- Sélectionner le diamètre correct du flexible pour la conduite à nettoyer. Lorsqu'un nouveau flexible est utilisé, rincer l'intérieur pour le nettoyer avant d'attacher la tuyère.

## FUNCTIONNEMENT



- Sélectionner la taille correcte du flexible de jet en fonction de la taille de la conduite à nettoyer. (Consulter le guide de sélection de flexible.) Inspecter tous les flexibles pour déceler l'usure et les dommages éventuels. Serrer bien toutes les connexions.
- Sélectionner la tuyère correcte et l'attacher à l'extrémité du flexible. (Consulter le guide de sélection de tuyère.) Remarque : Si on utilise un nouveau flexible de jet, rincer son intérieur avec de l'eau pour retirer les débris avant de connecter une tuyère.
- Introduire le flexible de jet sur 60 à 90 cm (2 à 3 pieds) dans la conduite de drain avant de mettre en marche la machine.
- Ouvrir complètement la soupape d'alimentation d'eau pour obtenir le débit maximum.
- Ouvrir la soupape de sortie de jet et laisser l'eau couler dans le flexible d'alimentation, le jet et le flexible de jet pour purger l'air du système avant de mettre en marche la machine.
- S'assurer que la soupape de sortie est ouverte et l'eau coule.
- Brancher le cordon d'alimentation à GFCI sur le réceptacle à la tension appropriée.
- Tout en saisissant fermement le flexible pour l'empêcher de fouetter dans l'air, mettre en marche l'interrupteur du moteur de jet.
- Guider le flexible de jet dans la conduite de drain. Ne pas acheminer le flexible de façon continue, mais déplacer plutôt le flexible vers l'avant et vers l'arrière pour permettre à la pression d'attaquer le blocage et au débit d'eau de le rincer. Si vous nettoyez la conduite à partir de l'amont, ceci peut nécessiter plus de temps. Le dégagement de la conduite du côté aval permet aux débris d'être rincés plus facilement.
- Il est souvent utile de mettre en marche la soupape Vibra-pulse. Les vibrations produites aident le flexible à surmonter les frottements dans la conduite et à glisser plus loin dans la conduite. Voir la section Vibra-pulse.
- Lorsque le flexible de jet est en présence d'un coude, son avance ralentit en général, ou s'arrête. Le flexible possède un coude léger dû au dévidoir de flexible. Il peut être nécessaire d'acheminer manuellement ou de tourner le flexible de jet pour le faire traverser les coudes. Si le flexible n'avance pas, faire une boucle avec le flexible et le tourner d'un quart à un demi-tour pour que la courbure du flexible corresponde à celle de la tuyauterie. Il peut aussi être nécessaire de faire reculer le flexible de 150 mm (6 pouces) et de le pousser brusquement en avant pour lui faire sauter un vide dans le raccord de tuyauterie.
- Une fois que le blocage est atteint, faire passer plusieurs fois le tuyau à travers la section avec un va-et-vient pour assurer que la conduite est complètement dégagée. Il est aussi possible de changer la tuyère pour utiliser une tuyère grand angle ou une tuyère tournante (optionnelle) pour le nettoyage complet.

## VIBRA-PULSE®

Les impulsions font vibrer le flexible, ce qui aide le jet à aller plus loin et autour des coudes serrés plus facilement. La soupape de contrôle d'impulsion est située à l'avant de la pompe. Ouvrir simplement la soupape pour commencer les impulsions. Vibra-pulse est le plus efficace sur un tuyau de 3,175 mm (1/8 pouce). Les vibrations décelables sont moindres avec un tuyau de 6,350 mm (1/4 pouce), et disparaissent presque complètement avec un tuyau de 9,925 mm (3/8 pouce). Toutefois, les impulsions sont toujours efficaces, et l'eau jaillit de la tuyère des centaines de fois par seconde. S'il est toujours difficile de traverser un coude serré avec le flexible, utiliser un flexible de diamètre plus petit.

## INSTRUCTIONS D'ARRÊT

À la fin du nettoyage du drain ou de lavage par pulvérisation, rincer le système avec de l'eau propre. Toujours laisser la soupape de sortie en position ouverte lors de l'arrêt du moteur. Arrêter l'alimentation d'eau et vidanger le plus possible d'eau de la pompe. Retirer le flexible d'alimentation d'eau de l'admission. Dans un climat froid, consulter la section Protection contre le gel.

## APPLICATIONS SPÉCIALES

### BLOCAGES DE GLACE

De l'eau haute pression peut être utilisé pour dégager un blocage de glace. Une machine de jet à moteur essence de 3000 psi peut dégager une conduite de 10 cm (4 pouces) à un taux approximatif de 30 cm (1 pied) par minute. La machine de jet électrique, plus petite, nécessitera deux fois plus de temps. La température de l'air ambiant affecte ces durées. Utiliser une tuyère de 15° avec un jet avant. NE PAS permettre à l'alimentation d'eau de dépasser 60°C (140° F), sinon la pompe pourrait être endommagée. Il faut se rappeler de respecter les précautions pour climat froid dans la section Protection contre le gel.

### PROTECTION CONTRE LE GEL

Pour protéger la machine contre les dommages graves causés par la glace qui se forme à l'intérieur des composants, il est important de l'aménager pour l'hiver lorsqu'elle est sujette à des températures de gel.

La meilleure façon de protéger le système est de ne pas l'exposer au froid. Sinon, la seconde option consiste à rincer le système avec de l'antigel. Pour cela, attacher simplement un petit tuyau d'arrosage (de moins de 1,2 m (4 pieds)) à l'admission de la pompe et placer l'autre extrémité dans le récipient d'antigel. S'assurer de retirer la tuyère du flexible. Mettre en marche la machine pour aspirer l'antigel dans le système. Lorsque l'antigel coule de l'extrémité du tuyau, arrêter la machine. Connecter un flexible haute pression et une détente, et suivre la procédure ci-dessus. Actionner et arrêter la détente plusieurs fois pour que l'antigel coule dans le dispositif de marche à vide et la section d'injecteur de la machine.

Lors de la préparation de l'équipement pour le travail suivant, retirer l'antigel. Pour cela, reconnecter la source d'eau, mettre en marche la pompe et diriger l'écoulement de l'antigel pour le ramener dans le récipient. Faire attention de ne pas diluer l'antigel avec l'alimentation d'eau. Si l'antigel reste relativement non dilué, il peut être utilisé plusieurs fois.

Les flexibles peuvent aussi être protégés contre le gel en utilisant de l'air comprimé pour nettoyer l'eau résiduelle. Il faut se rappeler de retirer la tuyère du flexible de jet et de tenir la détente de la lance de pulvérisation en position ouverte.

## DISPOSITIF DE MARCHÉ À VIDE POUR LE RÉGLAGE DE PRESSION

La machine est équipée d'un dispositif de marche à vide pour le réglage de pression, afin d'empêcher la surpression lorsque la tuyère est encrassée ou la soupape de sortie ou la détente de la lance de vaporisation est arrêtée. Lorsque la machine est dans le mode de dérivation, la pompe continue à fonctionner. Toutefois, le fonctionnement dans le mode de dérivation pendant des périodes prolongées causera des dommages de la pompe - même après 5 minutes avec la pompe JM-1450. Des températures excessives endommageront la pompe et annuleront la garantie.



Si on utilise le jet électrique et on est limité par l'intensité du courant disponible, on peut réduire l'appel de courant de la machine en ajustant le dispositif de marche à vide. En abaissant la pression à 1000 psi, on peut réduire l'appel de courant à moins de 10 ampères. Pour ajuster le dispositif de marche à vide, desserrer le contre-écrou et tourner le bouton dans le sens antihoraire pour réduire la pression ou dans le sens horaire pour augmenter la pression. Précaution : Ne pas trop serrer le dispositif de marche à vide. Serrer le contre-écrou lorsque les ajustements ont été faits.

## ACCESSOIRES

### DÉVIDOIR HANDY-REEL AVEC PÉDALE - N° de cat. HM-200-W (OPTIONNEL)

Le dévidoir Handy-Reel permet l'application du jet à distance. Le jet peut être placé au sol et le dévidoir Handy-Reel peut être amené sur un toit pour nettoyer les événements et les cheminées. Grâce au dévidoir Handy-Reel, les machines de jet à moteur essence peuvent être utilisées pour les applications d'intérieur avec la machine fonctionnant à l'extérieur en toute sécurité. La pédale coupe le débit de l'eau entre la pompe et la tuyère tout en laissant les deux mains libres pour guider le flexible. Placer le dévidoir Handy-Reel au site du drain. Connecter la machine de jet à l'admission de la pédale. Sélectionner la tuyère et l'attacher au flexible sur le dévidoir. Placer le flexible 60 à 90 cm (2 à 3 pieds) dans la conduite de drain. Suivre les procédures de démarrage.

### PÉDALE SEULE - N° de cat. FM-1 (OPTIONNELLE)

La pédale peut être utilisée avec toute machine de jet fabriquée par General. Elle coupe le débit de l'eau entre la pompe et la tuyère tout en laissant les deux mains libres pour guider le flexible. La pompe continue à fonctionner dans le mode de dérivation. Ne pas laisser la pompe dans le mode de dérivation pendant plus de quelques minutes, sinon la pompe peut être endommagée. (Voir Dispositif de marche à vide de pression)

La pédale peut être connectée à la machine ou à distance au site du drain. Pour utiliser la pédale sur la machine, retirer le flexible connecté au pivot sur le dévidoir de flexible et l'attacher au côté admission de la pédale. Connecter ensuite le tuyau accessoire (disponible en longueurs de 1,8, 7,6 et 15,2 m (6, 25 et 50 pieds)) entre la sortie de la pédale et le pivot sur le dévidoir de flexible. Certains modèles de machine de jet peuvent nécessiter la longueur supplémentaire du flexible accessoire sur le côté admission de la pédale.

Pour le fonctionnement à distance, tirer le flexible du dévidoir au site du drain. Attacher le flexible à l'admission de la pédale. La pédale est conçue pour des raccords de flexible de 9,925 mm (3/8 pouce). Si un flexible de 6,350 mm (1/4 pouce) est utilisé, il faut se servir aussi de l'adaptateur AD-1. Puis, attacher le petit flexible (de 3,175 mm (1/8 pouce) ou 6,350 mm (1/4 pouce)) au côté sortie de la pédale. Utiliser le petit flexible pour dégager la conduite de drain.

### LANCE DE VAPORISATION - N° de cat. SWA-1500 (OPTIONNELLE)



**FAIRE ATTENTION LORS DU LAVAGE À LA PRESSION. PORTER DES LUNETTES ET DES GANTS ET BOTTES EN CAOUTCHOUC. ANALYSER L'ANGLE DE LA PULVÉRISATION ET DÉTERMINER L'ANGLE DU RETOUR D'ÉCLAUSSEMENT. NE PAS ORIENTER LA LANCE VERS QUI QUE CE SOIT, Y COMPRIS VOUS-MÊME. NE PAS METTRE LA MAIN DEVANT LA PULVÉRISATION D'EAU. ELLE PEUT PERFORER LA PEAU ET ÊTRE LA CAUSE D'UNE AMPUTATION. IL EST PRÉFÉRABLE DE COMMENCER À UN ANGLE DE 45° À UNE DISTANCE DE 2 À 3 MÈTRES (7 À 10 PIEDS) DE L'OBJET À NETTOYER. LA PULVÉRISATION DIRECTE À FAIBLE DISTANCE PEUT ÊTRE SUFFISAMMENT PUISSANTE POUR CAUSER DES DOMMAGES.**

La lance de pulvérisation peut être utilisée pour nettoyer un camion ou pour d'autres applications. Précaution : Ne jamais nettoyer la machine avec sa propre pulvérisation. Suivre les mêmes procédures indiquées précédemment pour la sécurité, le réglage, l'opération et la maintenance. Pour utiliser la lance de pulvérisation avec la machine de jet d'eau, déconnecter le raccord de torsion au niveau de la soupape de sortie. Puis connecter le flexible de lance de pulvérisation, la détente et la lance sur la soupape de sortie. Mettre en route l'alimentation d'eau, puis serrer la détente pour purger l'air du système. Continuer à serrer la détente en mettant en marche la machine.

Tenir la tuyère de pulvérisation haute pression à une distance d'environ 1,8 à 2,4 m (6 à 8 pieds) de la surface à nettoyer. Lors du nettoyage avec un détergent, nettoyer de bas en haut avec un mouvement uniforme de gauche à droite. Rincer de haut en bas avec un mouvement similaire. Ceci aide à réduire la formation des rayures. Toujours mettre du savon sur une surface sèche. Ceci améliore la pénétration et l'adhérence du détergent et réduit la dilution du détergent sur une surface déjà mouillée.

On peut aspirer du savon par la lance de pulvérisation en utilisant l'injecteur chimique optionnel. Configurer d'abord le système d'injecteur chimique (voir Injecteur chimique). Puis, tourner simplement le barillet de la tuyère à l'extrémité de la lance dans le sens antihoraire. Lorsque le mode de pulvérisation s'élargit, davantage de détergent est aspiré par la lance. Tourner la tuyère dans le sens horaire pour réduire le débit du détergent et l'angle de la pulvérisation d'eau afin d'obtenir à nouveau une haute pression.

### INJECTEUR CHIMIQUE – N° de Cat. CMA-1 (Optionnel)

Pour utiliser l'injecteur chimique, déconnecter le raccord de torsion au niveau de la soupape de sortie sur la machine de jet. Puis visser dessus l'injecteur chimique. Ensuite, la lance de pulvérisation se visse sur l'extrémité libre de l'injecteur chimique. Ne pas attacher l'injecteur chimique au côté admission de la pompe. Les détergents peuvent endommager la pompe.

Pour utiliser l'injecteur de détergent, attacher une extrémité du flexible de siphon au raccord cranté sur l'injecteur et placer l'extrémité de filtre dans la solution de détergent. S'assurer que l'extrémité du flexible est en bas du récipient ou du seau. Certains modèles ont des soupapes ajustables pour contrôler la quantité de détergent aspirée par le flexible.

## MAINTENANCE



**DÉCONNECTER LE GICLEUR DE LA SOURCE D'ALIMENTATION ÉLECTRIQUE AVANT D'EFFECTUER LA MAINTENANCE OU LES AJUSTEMENTS .**

Une inspection régulière est cruciale pour empêcher les pannes et prolonger la durée de service du matériel. Suivre à la lettre cette procédure simple .

### TOUS LES JOURS

- Vérifier le FILTRE D'ADMISSION pour déceler les débris avant chaque utilisation.
- Vérifier que le NIVEAU D'HUILE DE LA POMPE est dans sa plage opérationnelle sur la jauge ou le hublot.
- Vérifier que les tuyères de jet ne sont pas encrassées ou usées.

### TOUTES LES SEMAINES

- Vérifier le flexible de pression pour déceler l'usure ou les dommages. Un flexible endommagé peut être réparé à un centre de service local ou par le concessionnaire de l'équipement.

**Vidange d'huile du carter de pompe :** Effectuer la vidange après le premier mois ou après 20 heures. Puis, vidanger chaque année ou toutes les 500 heures. Utiliser de l'huile moteur sans détergent SAE 30W et remplir jusqu'à la marque pleine sur la jauge ou jusqu'au point sur le hublot.

GUIDE DE DÉPANNAGE		
Problème	Cause probable	Solution
Pression basse.	Tuyère usée, encrassée ou surdimensionnées.	Nettoyer ou remplacer la tuyère usée. Vérifier la taille de la tuyère.
	Crépine d'admission d'eau encrassée.	Nettoyer ou remplacer les crépines.
	Alimentation d'eau insuffisante.	S'assurer que la soupape d'admission d'eau est complètement ouverte. S'assurer que le flexible d'alimentation d'eau a un diamètre d'au moins 19,05 mm (3/4 pouce), qu'il est en bon état sans section entortillée ou endommagée, et que sa longueur maximale est de 15 m (50 pieds).
	Couppelles de piston usées ou endommagées.	Remplacer les couppelles de piston.
	Soupape d'admission ou de refoulement usée ou endommagée.	Remplacer les clapets ou les ressorts de soupape usés.
	Impuretés ou corps étrangers dans l'ensemble de soupape.	Retirer toutes les impuretés.
	Fuite d'air dans la tuyauterie d'admission.	Rechercher la fuite d'air. Sceller à nouveau la connexion ou remplacer le raccord endommagé.
Fonctionnement avec à-coups et perte de pression.	Restriction ou fuite d'air dans la tuyauterie d'admission.	Réparer les raccords d'admission encrassés. Vérifier le flexible d'alimentation et s'assurer que l'alimentation d'eau est suffisante.
	Piston, couppelle ou soupape de pompe endommagé.	Remplacer toute pièce de pompe endommagée et nettoyer toutes les impuretés.
	Tuyère encrassée.	Nettoyer ou remplacer la tuyère.
Fuite d'eau au niveau du collecteur d'admission ou du carter.	Joints de collecteur, piston ou joints toriques usés, ou condensation à l'intérieur du carter.	Remplacer les joints, les manchons ou les joints toriques. Changer l'huile à intervalles réguliers.
	Alimentation d'eau insuffisante de la pompe, causant un blocage sous vide.	S'assurer que l'alimentation d'eau douce est suffisante. Nettoyer le filtre d'admission.
Fuites d'huile.	Pistons usés et/ou joints de carter, joint de couvercle de carter ou bouchons de drain présentant des fuites.	S'assurer que l'alimentation d'eau douce est suffisante. Nettoyer le filtre d'admission.
Usure excessive.	Roulements usés ou détachés.	Remplacer les roulements. Vérifier les joints de roulement, les entretoises et les retenues. Remplacer toute pièce usée.
Durée de service réduite des couppelles de piston.	Vérins rayés à cause du pompage des acides.	Remplacer les vérins. Ne pas pomper de solution acide. Pour les applications acides, demander au concessionnaire un injecteur sauve-pompe.
	<b>Particules abrasives dans le fluide pompé.</b>	Remplacer les crépines d'eau et de détergent si elles sont endommagées ou absentes. Installer un filtre supplémentaire si les fines particules abrasives sont toujours présentes.
	L'opérateur fait marcher la pompe sans alimentation d'eau.	La machine ne doit pas fonctionner sans alimentation d'eau suffisante.
	Eau chaude dans la pompe.	Ne pas faire marcher dans le mode de dérivation pendant plus de 5 minutes. Ne pas laisser l'alimentation d'eau dépasser 60°C (140°F).
Mode de pulvérisation irrégulier.	Tuyère usée ou partiellement encrassée.	Nettoyer ou remplacer la tuyère.

GUIDE DE DÉPANNAGE suite		
Problème	Cause probable	Solution
La machine n'aspire pas le détergent.	Soupape de mesure de détergent fermée, encrassée ou défectueuse.	Ouvrir la soupape de mesure de détergent en suivant la procédure du mode d'emploi.
	Contre-pression dans le flexible (lors de l'utilisation d'une rallonge du flexible de pression).	Contactez le concessionnaire pour la taille correcte de l'injecteur lorsque des rallonges de flexible sont ajoutées.
	Contre-pression dans le flexible de pression (lors de l'utilisation de la lance double).	Utiliser une tuyère d'inondation de taille correcte avec la lance double (se reporter à la liste des pièces détachées).
	Le tube d'aspiration n'est pas sous la surface du liquide.	Immerger complètement le tube d'aspiration et la crépine dans la solution de détergent.
	Crépine d'aspiration encrassée ou endommagée.	Nettoyer ou remplacer la crépine.
Solution de détergent trop faible.	Crépine de détergent encrassée.	Nettoyer ou remplacer la crépine.
	Fuite d'air dans le tube d'aspiration du détergent ou la tuyauterie d'admission.	Rechercher la fuite d'air et nettoyer ou remplacer les pièces selon les besoins.
Solution de détergent trop concentrée.	Le détergent d'origine est trop concentré.	Diluer le produit selon les besoins pour obtenir la bonne concentration.
Détergent dans le cycle de rinçage.	Lance double ou porte-tuyère réglable en position ouverte ou soupape de mesure de produit chimique ouverte.	Fermer la lance double ou le porte-lance réglable pour obtenir la haute pression. Fermer la soupape de mesure de détergent.
	Clapet de non-retour interne usé ou défectueux.	Réparer ou remplacer le clapet de non-retour ou les pièces de l'injecteur selon les besoins.
Dilution du détergent concentré pendant le cycle.	Clapet de non-retour défectueux dans le réservoir de détergent.	Remplacer les pièces selon les besoins.
Le dispositif de marche à vide est actionné.	Fuite de raccord en aval.	Serrer/remplacer le raccord.
	Piston ou ressort de soupape cassé ou usé.	Remplacer les pièces selon les besoins.
	Tuyère encrassée.	Nettoyer ou remplacer la tuyère.
Fuite de fluide du corps.	Joint torique usé ou coupé.	Remplacer la pièce selon les besoins.
La soupape de marche à vide ne se pressurise pas.	Impuretés dans la soupape.	Nettoyer ou remplacer la soupape.
	<b>Tuyère usée ou de taille incorrecte.</b>	Remplacer la pièce selon les besoins.
	Piston ou soupape usé.	Remplacer la pièce selon les besoins.
Crêtes de pression extrêmes.	Écrou d'ajustement tourné à fond dans le dispositif de marche à vide.	Tourner l'écrou d'ajustement en sens inverse.
	Tuyère encrassée.	Nettoyer ou remplacer la tuyère.

Voir les pages 30 - 31 pour les listes de pièces détachées et les schémas de principe.





# *JM-1450™ Electric Jet* Instrucciones de funcionamiento

Para ductos de 2 a 4 pulg. de hasta 150 pies de largo



Su chorro de agua eléctrico J-1450 está diseñado para brindarle años de servicio rentable y libre de problemas. Sin embargo, no existe ninguna máquina que sea mejor que su operario.

Lea, entienda y obedezca todas las advertencias de seguridad e instrucciones suministradas con el producto. El no seguir las advertencias e instrucciones podrá resultar en choques eléctricos y/o heridas graves. Conserve todas las advertencias e instrucciones con fines de referencia en el futuro.

**¡GUARDE ESTAS INSTRUCCIONES!**

***General***  
**PIPE CLEANERS**



**! ADVERTENCIA**

Lea y entienda el manual del operario antes de hacer uso de esta máquina. El dejar de seguir las instrucciones de funcionamiento puede resultar en la muerte o heridas graves

**¡ADVERTENCIA!** Lea y entienda todas las instrucciones. El dejar de seguir todas las instrucciones indicadas abajo puede resultar en choques eléctricos, incendios y/o heridas personales graves. Los manuales de repuesto están disponibles sin costo alguno o podrán descargarse de nuestra página web [www.drainbrain.com](http://www.drainbrain.com). Hay videos instructivos disponibles como descargas de nuestra página web, y también podrán encargarse. Si tiene cualquier pregunta o problema, tenga la bondad de comunicarse con el departamento de servicio al cliente de General al 412-771-6300.

**¡GUARDE ESTAS INSTRUCCIONES!**

Estas instrucciones tienen el propósito de familiarizar a todo el personal con los procedimientos de funcionamiento y mantenimiento seguro para el J-1450.

**SÍMBOLOS DE SEGURIDAD**



Este es el símbolo de seguridad. Se utiliza para advertirle de cualquier peligro potencial de heridas personales. Obedezca todos los mensajes de seguridad que siguen este símbolo para evitar la posibilidad de heridas o la muerte.

**! PELIGRO**

PELIGRO indica un peligro con un alto nivel de riesgo que resultará en la muerte o heridas graves si no se evita.

**! ADVERTENCIA**

ADVERTENCIA indica un peligro con un nivel de riesgo medio que podrá resultar en heridas graves o la muerte si no se evita.

**! PRECAUCION**

PRECAUCIÓN indica un peligro con bajo nivel de riesgo que podrá resultar en heridas menores o moderadas si no se evita.

**! ADVERTENCIA**

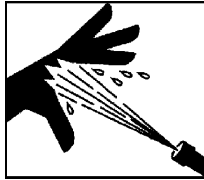


Los choques eléctricos que resultan en la muerte podrán sobrevenir si enchufa esta máquina a un tomacorrientes incorrectamente cableado. Si el alambre de tierra está electrificado, podrá electrocutarse con tan sólo tocar la máquina, aunque el conmutador de potencia esté apagado. Un conmutador de circuito de falla a tierra no le protegerá en esta situación. Utilice un probador con aprobación UL para determinar la seguridad del tomacorrientes.

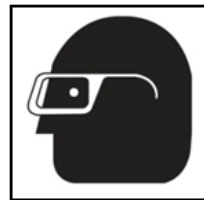


No opere herramientas mecánicas en atmósferas explosivas, así como en la presencia de líquidos, gases o polvos inflamables. Las herramientas mecánicas crean chispas que pueden causar la ignición del polvo de las emanaciones.

No rocíe líquidos inflamables. Peligro de explosión. Los líquidos inflamables pueden causar emanaciones capaces de hacer ignición, causando daños a la propiedad o heridas graves.



No apunte la corriente de descarga contra las personas. El equipo puede producir un chorro de alta presión capaz de penetrar la piel y los tejidos subyacentes, resultando en heridas graves y posible amputación o la muerte.



Utilice gafas de seguridad siempre y calzado antiderrapante de suela de caucho. Las rociaduras de alta presión pueden hacer que las escamas de pintura u otras partículas salgan volando a altas velocidades. El uso de este equipo de seguridad podrá prevenir daños graves.

**! ADVERTENCIA**  
Este producto contiene plomo, un químico reconocido por el Estado de California como el causante de defectos de nacimiento u otros trastornos reproductivos. Lávese las manos después de manejar el producto.

**! ADVERTENCIA**  
Este producto contiene uno o más productos químicos reconocidos por el Estado de California como causantes de cáncer y defectos de nacimiento u otros trastornos reproductivos.

# REGLAS DE SEGURIDAD GENERAL

## ADVERTENCIA

Lea y entienda todas las instrucciones. El dejar de seguir todas las instrucciones indicadas abajo puede resultar en choques eléctricos, incendios y/o heridas graves.

### ¡GUARDE ESTAS INSTRUCCIONES!

## SEGURIDAD EN LA ZONA DE TRABAJO

1. **Todas las instalaciones deben cumplir con los códigos locales.** Comuníquese con su electricista, plomero, empresa de servicios públicos o el concesionario de ventas para los detalles específicos. Para cumplir con el Código Eléctrico Nacional de los EE.UU. (NFPA 70) y proporcionar protección adicional contra el riesgo de los choques eléctricos, las máquinas están equipadas con un cordón de potencia con conmutador de circuito de falla (GFCI) aprobado por UL..
2. **Peligro de explosiones. No rocíe líquidos inflamables ni opere la máquina en zonas en las que se utilicen o almacenen materiales inflamables o explosivos.** Las herramientas mecánicas crean chispas que pueden causar la ignición del polvo y las emanaciones.
3. **Mantenga alejados a los espectadores, niños y visitantes mientras que opera la máquina.** Las distracciones pueden llevarlo a perder el control.

## SEGURIDAD ELECTRICA

1. **Las herramientas conectadas a tierra deben enchufarse en un tomacorrientes debidamente instalado y conectado a tierra en conformidad con todos los códigos y ordenanzas. Nunca quite el macho de conexión a tierra ni modifique el enchufe de cualquier manera. No utilice adaptadores de enchufe. Si tiene dudas sobre si el tomacorrientes está debidamente conectado a tierra, consulte con un electricista competente.** Si la herramienta llegase a malfuncionar o romperse, la conexión a tierra brinda un trayecto de baja resistencia para alejar la electricidad del usuario.
2. **Evite el contacto corporal con las superficies conectadas a tierra, tal como tuberías, radiadores, estufas y refrigeradores.** Existe un mayor riesgo de choque eléctrico si su cuerpo está conectado a tierra.
3. **No exponga las herramientas mecánicas a la lluvia ni a las condiciones húmedas.** El agua que penetra dentro de una herramienta mecánica aumentará el peligro de un choque eléctrico.
4. **Cuando haga uso de una herramienta mecánica a la intemperie, utilice una extensión eléctrica marcada "W-A" o "W".** Estas extensiones están clasificadas para el uso a la intemperie y reducen el riesgo de los choques eléctricos.
5. **Pruebe el Conmutador de Circuito de Falla a Tierra (GFCI) suministrado con el cordón de potencia para asegurar que funcione correctamente antes de operar la máquina.** La máquina debe tener un conmutador de circuito de falla a tierra en su cordón de potencia que funcione debidamente. El GFCI reduce el peligro del choque eléctrico.
6. **No se recomiendan las extensiones eléctricas a menos que estén enchufadas a un Conmutador de Circuito de Falla a Tierra (GFCI) en una caja de empalmes o un tomacorrientes.** EL GFCI en el cordón de potencia no impedirá los choques eléctricos de las extensiones eléctricas.
7. **Sólo utilice extensiones de tres alambres en buen estado y con extensiones de no más de 50 pies de extensión, con enchufes de conexión a tierra y receptáculos de tres polos que acepten el enchufe de la herramienta.** El uso de cordones eléctricos dañados, inferiores o de otro tipo no conectarán la herramienta a tierra, aumentando el riesgo de daño a la máquina, choques eléctricos, lesiones graves o la muerte.
8. **Mantenga todas las conexiones eléctricas secas y apartadas del suelo.** Esto reduce el riesgo de choques eléctricos.

9. **NO TOQUE los enchufes o herramientas con las manos mojadas.** Esto reduce el riesgo de choques eléctricos.

## CONMUTADOR DE CIRCUITO DE FALLA A TIERRA (GFCI)

Su máquina está equipada con un conmutador de circuito de falla a tierra, que ofrece protección si llegara a producirse un cortocircuito. Revise que el tomacorrientes esté debidamente conectado a tierra. Compruebe el GFCI antes de cada uso.

1. Enchúfela a un tomacorrientes de 120 voltios.
2. Oprima el botón de prueba. Se apagará la luz del indicador y la potencia a la máquina debe interrumpirse.
3. Si la luz no se apaga al presionar el botón de prueba, **NO UTILICE LA MAQUINA** hasta que puedan hacerse las reparaciones correctas.
4. Para restaurar la fuerza después de la prueba, oprima el botón de restablecimiento. Con el botón de restablecimiento oprimido, si la máquina no arranca, si se detiene durante el funcionamiento, o si el operario experimenta un choque leve, **¡NO UTILICE LA MAQUINA!** Coloque una tarjeta de fuera de servicio sobre la máquina y llévela a un centro de reparación de motores, o devuélvala a la fábrica para repararla.

## SEGURIDAD PERSONAL

1. **La alta presión desarrollada por las máquinas de chorro resultará en heridas personales. La rociadura de agua no debe apuntarse contra ninguna persona.** La rociadura a alta presión puede resultar en heridas graves. Si parece que el fluido ha penetrado la piel, solicite atención médica de emergencia enseguida.
2. **Agarre la manguera de chorro, o la vara rociadora, con ambas manos antes de arrancar la máquina.** El no hacer esto puede resultar en heridas a consecuencia de la acción de látigo de la manguera o vara.
3. **Siempre utilice protección ocular y guantes de caucho.** El equipo de seguridad, los dispositivos de seguridad ocular, el calzado de seguridad antiderrapante y la vestimenta protectora debe llevarse al hacer uso de este equipo.
4. **Manténgase alerta, fijese en lo que está haciendo y utilice sentido común al operar una herramienta mecánica. No utilice la herramienta si está cansado o bajo la influencia de las drogas, el alcohol o los medicamentos.** Un momento de distracción durante el uso de las herramientas mecánicas puede resultar en heridas personales graves.
5. **Utilice la vestimenta correcta. No se vista con ropa holgada ni con joyería. Oculte el cabello largo. Mantenga el cabello, la ropa y los guantes apartados de las piezas en movimiento.** Las piezas en movimiento pueden atrapar la ropa holgada, la joyería o el cabello largo.

## SERVICIO

1. **El servicio a las herramientas sólo debe ser realizado por personal de servicio experto.** El servicio o el mantenimiento realizado por personal sin la capacitación correcta puede resultar en heridas al operario y daño al equipo.
2. **Durante el servicio a la herramienta, sólo utilice piezas de repuesto idénticas. Siga las instrucciones en la sección de mantenimiento de este manual.** El uso de piezas autorizadas o el dejar de seguir las instrucciones de mantenimiento puede resultar en heridas o daño al equipo.

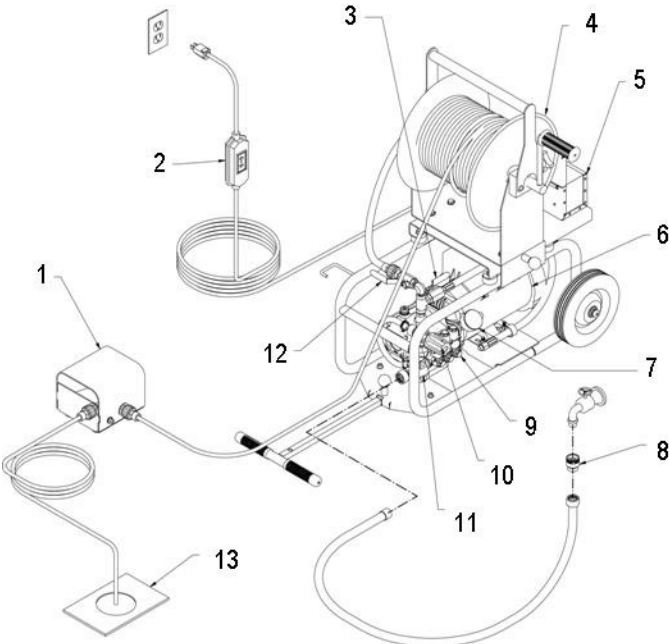
## SEGURIDAD DEL CHORRO

1. **No opere el chorro en exceso de las presiones clasificadas o en exceso de los 140 grados (temperatura de agua nominal).** El uso del chorro por encima de las especificaciones representa un riesgo a la bomba y sus componentes relacionados, y anulará la garantía.
2. **No opere el chorro con la válvula de salida en la posición de apagado durante periodos de tiempo extensos.** Esto hará que el agua se sobrecaliente y dañe la bomba.
3. **Jamás accione la bomba sin agua.** El funcionamiento de la máquina sin agua hará que la bomba falle y anule la garantía.



4. Antes de cada uso, revise si hay mangueras y componentes gastados. Revise que todos los aditamentos estén seguros antes de usar el chorro. Los aditamentos gastados o flojos pueden causar daño a la máquina y herir al operario.
5. Proteja la máquina y la bomba contra la congelación. El almacenamiento o la operación del chorro a temperaturas por debajo de la congelación puede dañar la bomba, la manguera y los demás componentes del chorro. Almacene la unidad bajo techo o protéjala con anticoagulante cuando no esté en uso.
6. General Wire Spring Co. no será responsable de ningún cambio realizado a nuestras máquinas estándar o cualquier componente que no haya sido adquirido de General Wire Spring Co.

## ESPECIFICACIONES DEL JM-1450



- |                                |                                   |
|--------------------------------|-----------------------------------|
| 1. Foot Pedal (opcional)       | 8. Válvula antisifonaje           |
| 2. GFCI                        | 9. Bomba                          |
| 3. Válvula de control de pulso | 10. Válvula del descargador       |
| 4. Carrete de la manguera      | 11. Filtro de admisión            |
| 5. Caja de herramientas        | 12. Válvula de control de presión |
| 6. Motor                       | 13. Desagüe                       |
| 7. Manómetro                   |                                   |

### CARRETE DE MANGUERA DESMONTABLE

El JM-1450 cuenta con un carrete de manguera desmontable. Se desmonta en segundos para hacer que la máquina sea más compacta para caber en espacios pequeños en su camión o los espacios entre plantas bajo un edificio, o para facilitar el transporte de la máquina al techo para despejar los ductos mediante los desfogues del techo. Para quitar el carrete, destornille el conector en la válvula de salida, y sencillamente extraiga la perilla en la base del carrete de manguera, y levante el carrete. Para conectar el carrete de nuevo, alinee la ranura en la base del carrete con la orejeta en la ménsula de soporte. Después, asiente el carrete en la ménsula y permita que la perilla vuelva a su sitio con acción instantánea.



### ASIDERA DESLIZABLE

Una conveniente asidera deslizable hace que el JM-1450 sea verdaderamente portátil. Levante la perilla y extienda la asidera. Después, ruede la máquina hasta el trabajo y a la vuelta del mismo sobre las ruedas de 8 pulg. Levante la perilla para deslizar la asidera en su sitio de nuevo.



## MANGUERA DE CHORRO

1. Cuando vaya a seleccionar el tamaño de la manguera, considere el hecho de que se pierde presión a la par que el agua se desplaza por el largo de la manguera. Mientras aumenta la extensión, se reduce la presión. Además, mientras más reducido sea el diámetro de la manguera, mayor será la pérdida de presión por pie. Por ejemplo, a una tasa de flujo de 2 galones por minuto, una manguera de 1/4 pulg. perderá 180 libras de presión a lo largo de 100 pies de manguera, pero una manguera de 3/8 pulg. sólo perderá 25 libras de presión a lo largo de la misma extensión y a la misma tasa de flujo. A 4 GPM, una manguera de 3/8 pulg. perderá 90 libras de presión a lo largo de una extensión de 100 pies. El manómetro sólo refleja la presión de la bomba y no la presión al final de la manguera. Es importante seleccionar la manguera del diámetro más grande posible para tener el máximo posible de presión al final de la manguera.
2. Las mangueras del mismo diámetro podrán acoplarse juntas con el acoplamiento CC-1, pero no se recomienda hacerlo con cañerías menores que el diámetro de 8 pulg. La extensión larga de estos conectores de manguera y los acoplamientos pueden hacer que queden atrapados en las curvas de la cañería. No resulta aconsejable tener dos tamaños de manguera distintos acoplados en una cañería de drenaje. Cuando se les combina, hay una pérdida de presión tremenda, aparte de la dificultad de negociar las curvas.
3. Las mangueras de 3/8 y 1/4 pulg. pueden conectarse al aditamento en el núcleo del carrete de manguera utilizando la pieza giratoria a un extremo de la manguera. La manguera accesorio de 1/8 pulg. también puede conectarse directamente a la válvula de salida usando el conector giratorio suministrado en la manguera.

### GUÍA DE SELECCIÓN DE MANGUERAS

Tamaño de manguera (D.I.*)	Tamaño de tubo	Aplicaciones típicas
1/8 pulg. (3,175 mm)	1-1/2 - 2 pulg. (38 mm - 51 mm)	Ductos pequeños, lavabos, curvas estrechas
1/4 pulg. (6,350 mm)	2 - 4 pulg. (51 mm - 102 mm)	Fregaderos, desagües de lavandería, orificios de acceso
3/8 pulg. (9,925 mm)	4 - 8 pulg. (102 mm - 230 mm)	Desagües de piso, ductos sépticos y pasadas largas

\* Diámetro Interno

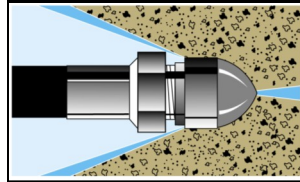
### TOBERAS DE CHORRO

1. Existe una variedad de toberas de chorro disponibles para limpiar desagües. Cada una tiene un patrón de rociado y propósito distinto. Algunas toberas podrán disponer de un orificio al frente para penetrar la atascadura. Todas tendrán agujeros en la parte posterior para impulsar la manguera a lo largo de la cañería y limpiar las paredes del tubo. Un patrón de rociadura angosta (15°) tiene más fuerza de impulso para las cañerías largas; un patrón ancho (40°) funciona mejor para cortar la grasa de las paredes del tubo. Se podrá requerir una combinación de toberas para despejar una cañería. Apague la máquina siempre y apague la válvula de salida antes de cambiar toberas.

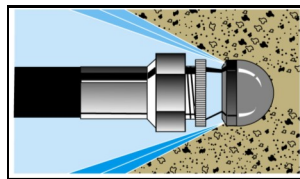


2. Asegúrese de que la tobera que va a utilizar coincida con las dimensiones de la bomba. Una bomba de 3000 psi requiere un orificio de tobera distinto al de una bomba de 1500 psi. El desajuste en las toberas con las dimensiones de bomba resultará en muy poca presión, que no podrá desatorar el desagüe, o demasiada presión, que podrá dañar la máquina.
3. Revise las toberas antes y después de cada uso por si hay agujeros atorados que pueden causar un aumento de presión a niveles peligrosamente elevados y dañar la bomba. Un agujero atorado puede desatorarse sencillamente usando la Herramienta de Limpieza de Toberas NCT.
4. Utilice la guía de selección de toberas para determinar la tobera que va a necesitar para las distintas aplicaciones. Por ejemplo: si una tobera viene estampada con el #12, es una JN-12, taladrada para 1.7 GPM a 1500 PSI con varios chorros posteriores de 15° y un chorro delantero de corte.

*La poderosa tobera penetrante corta a través de la grasa y el hielo.*

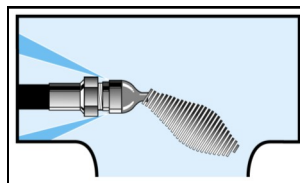
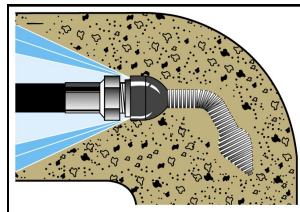


*La tobera de enjuague de rociado ancho limpia el interior del tubo a fondo.*



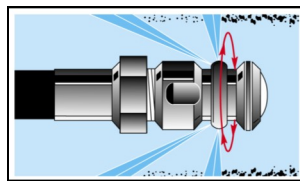
### TOBERAS DE ESPECIALIDAD

Las toberas con cabezal de resorte y las toberas de cabezal abajo son toberas de especialidad que ayudan a la manguera a recorrer el tubo cuando hay muchas piezas en T, curvas y acodaduras.



### TOBERAS ROTATIVAS

Las toberas rotativas son útiles como herramientas de acabado. Una vez desatorada la cañería, podrá cambiar a la tobera rotativa para limpiar a fondo las paredes del tubo. Utilice estas toberas sólo en pasadas de tubo predominantemente rectas, ya que son más largas que las toberas regulares y podrán quedar atrapadas en las curvas estrechas.



## GUÍA DE SELECCIÓN DE TOBERAS

TAMAÑO DE MANGUERA	1/8 pulg.	1/4 pulg.	3/8 pulg.
	Número de CAT	Número de CAT	Número de CAT
Chorros traseros de 15° sin chorro delantero	JN-1	JN-11	JN-21
Chorros traseros de 15° con chorro delantero único	JN-2	JN-12	JN-22
Chorros traseros de 30° sin chorro delantero	JN-3	-	-
Chorros traseros de 40° sin chorro delantero	-	JN-14	JN-24
Cabezal de resorte	JNSL-1	JNSL-2	JNSL-3
Tobera de cabezal abajo	JNDH-1	-	-
Tobera rotativa* (opcional)	-	JNRA-2 JNRB-2	-

\* Las toberas rotativas pueden adaptarse a mangueras de 1/8 y 3/8 pulg. mediante adaptadores AD-3 o AD-4.

## ENSAMBLADO DEL CHORRO

- A su llegada, inspeccione la caja de envío por si existe daño. Desempaque todas las piezas y examínelas. Indique cualquier daño a la máquina o sus componentes para reclamaciones en contra del transportista.
- El chorro debe almacenarse y operarse en posición horizontal. Nunca la almacene en posición vertical, ya que esto puede resultar en fugas del aceite de la bomba. Si falta aceite, llénelo con aceite no detergente con peso SAE 30.
- Las máquinas de chorro están diseñadas para ser usadas en la zona de trabajo o cerca de ella bajo la supervisión de un operario. Si la máquina debe colocarse fuera de la vista del operario, podrán requerirse controles especiales para el funcionamiento debido de la máquina y la seguridad del operario.

## FUNCIONAMIENTO PREPARACIÓN

1. Sitúe el chorro cerca de la cañería de desagüe en una superficie nivelada con el desagüe.  
Consejo: Lo ideal es desatorar la cañería de desagüe desde el lado aguas abajo, es decir, desde la calle hacia la casa. Si tiene que desatorar la cañería desde el desagüe hacia la calle, podrá requerir el uso de una bomba de sifón para despejar el agua en exceso.
2. Revise el nivel de aceite en la bomba. Si el nivel es bajo, llénelo con aceite no detergente con peso SAE 30.
3. Revise el filtro de entrada para asegurar que esté limpio antes de cada uso. Para limpiar, destornille la tapa del filtro, retire la pantalla y enjuague a fondo con agua. Luego reponga la pantalla.
4. Revise que el suministro de agua de entrante esté limpio y libre de escombros. Encienda la fuente de agua por un mínimo de 15 segundos para eliminar cualquier escombros en el agua antes de conectar la manguera a la boca de entrada de agua.
5. Conecte un extremo de una manguera de suministro de agua (no incluida) al suministro de agua y el extremo opuesto a la boca de entrada de agua de la máquina de chorro. El suministro de agua debe tener un máximo de 20 psi y no sobrepasar los 100 psi. Precaución: la temperatura del agua no debe exceder 140 grados o podrá resultar en daño a la bomba.

Sólo utilice mangueras de servicio pesado de 3/4 pulg. con una extensión de no más de 50 pies. Si se utiliza sin un suministro de agua adecuado, la bomba cavitara. La cavitación hace que la bomba vibre, resultando en daño a la bomba. Aviso: La falta del suministro de agua puede resultar en daño a los sellos, resultando en una pérdida de presión e invalidando la garantía de la bomba.

- La temperatura máxima de la fuente de agua no debe exceder los 60°C (140°F). El uso de agua más caliente que 60°C (140°F) podrá causar daño a la bomba e invalidará la garantía. Si el chorro se utiliza para despejar los atoramientos de hielo, consulte las instrucciones sobre los Obstrucciones de Hielo.
- Seleccione el diámetro correcto de manguera para la cañería a limpiar. Cuando vaya a utilizar una manguera nueva, pase agua a través de la misma para limpiarla antes de conectarla a la tobera.

## FUNCIONAMIENTO



**JAMAS APUNTE EL EXTREMO DE LA MANGUERA DE CHORRO CONTRA NINGUNA PERSONA DURANTE EL FUNCIONAMIENTO.**

- Seleccione el tamaño correcto de manguera de chorro para coincidir con la cañería que va a desatorar (consulte la Guía de Selección de Mangueras). Revise todas las mangueras por si hay desgaste o daño. Apriete todas las conexiones con firmeza.
- Seleccione la tobera correcta y conéctela al extremo de la manguera (consulte la Guía de Selección de Toberas). Aviso: si va a utilizar una manguera de chorro nueva, pase agua por la misma para enjuagar los escombros antes de conectarla a una tobera.
- Inserte la manguera de chorro 2 a 3 pies dentro de la cañería de desagüe antes de encender la máquina.
- Encienda la válvula de suministro de agua plenamente para permitir el flujo máximo.
- Encienda la válvula de salida de chorro y permita que el agua pase por la manguera de suministro, la máquina de chorro y la manguera de chorro para purgar el aire del sistema antes de encender la máquina.
- Asegúrese de que la válvula de salida esté encendida y que fluya el agua.
- Enchufe el cordón de fuerza GFCI al tomacorrientes y voltaje correctos.
- Sosteniendo la manguera con firmeza para impedir que haga acción de látigo, encienda el interruptor del motor de chorro.
- Guíe la manguera de chorro al interior de la cañería. No alimente la manguera de forma continua, sino moviendo la manguera hacia adelante y atrás para permitir que la presión quiebre el atoramiento y que el flujo de agua sea capaz de enjuagarla. Si está desatorando la cañería desde el lado aguas arriba, esto podrá tomar más tiempo. Despejar la cañería desde el lado aguas abajo permite que los escombros fluyan con facilidad.
- A menudo resulta útil encender la válvula Vibra-pulse. La vibración generada ayuda a que la manguera supere la fricción en la cañería y se deslice dentro de la cañería con mayor facilidad. Consulte la sección Vibra-pulse.
- Cuando la manguera de chorro se encuentre con una curva, su avance a menudo se volverá más lento o se detendrá del todo. La manguera tiene una pequeña torcedura debido al carrete de mangueras. Podrá ser necesario alimentarla manualmente o girarla para negociar las curvas. Si la manguera no progresa, coloque la manguera en un bucle y gírela entre un cuarto de vuelta y media vuelta de manera que la curvatura de la manguera coincida con la tubería. También podrá resultar necesario retirar la manguera seis pulgadas e impulsarla hacia adelante con fuerza súbita, haciéndola saltar un espacio libre en el aditamento de tuberías.
- Una vez alcanzado el atoramiento, pase la manguera hacia adelante y atrás a través de la sección varias veces para asegurar que la cañería esté desatorada a fondo. También podrá cambiar de toberas a una rociadora ancha o tobera rotativa (opcional) para la acción de limpieza de pared a pared.

## VIBRA-PULSE®

Las pulsaciones causan vibraciones en la manguera, ayudando que el chorro vaya más lejos y que pueda negociar las curvas con más facilidad. La válvula de control de pulsaciones se encuentra al frente de la bomba. Sencillamente gire la válvula para engranar la pulsación. Vibra-pulse es más efectivo en una manguera de 1/8 pulg. Podrá notar menos vibraciones con una manguera de 1/4 pulg. y casi ninguna con una manguera de 3/8 pulg. Sin embargo, la pulsación seguirá siendo efectiva, haciendo que el agua estalle de la tobera cientos de veces por segundo. Si aún tiene dificultades en negociar una curva angosta con la manguera, cambie a una manguera de menor diámetro.

## INSTRUCCIONES DE APAGADO

Después de haber finalizado la limpieza del desagüe o el lavado con rociadura, pase agua fresca a través del sistema. Siempre deje la válvula de salida en la posición de encendido al apagar el motor. Apague el suministro de agua y vacíe tanta agua como sea posible de la bomba. Quite la manguera de suministro de agua de la boca de entrada. Si está en un clima frío, consulte la sección de Protección contra la Congelación.

## APLICACIONES ESPECIALES

### OBSTRUCCIONES DE HIELO

Se puede hacer uso de agua de alta presión para despejar un atoramiento de hielo. Un chorro con motor de gasolina de 3000 psi puede desatorar una cañería de 4 pulg. a una razón aproximada de un pie por minuto. El chorro eléctrico más pequeño tomará el doble en hacerlo. La temperatura ambiente del aire afectará estos tiempos. Utilice una tobera de 15° con chorro delantero. NO permita que el suministro de agua de entrada supere los 60°C (140°F) ya que esto puede dañar la bomba. Recuerde que debe seguir las precauciones para climas fríos que aparecen en la sección de Protección contra la Congelación.

### PROTECCION CONTRA LA CONGELACION

Para proteger su máquina contra el daño grave causado por la congelación del agua dentro de los componentes, es importante acondicionarla contra el invierno siempre que vaya a quedar expuesta a temperaturas de congelación.

La mejor forma de proteger el sistema es apartándola de frío. Si no se puede, lo mejor es enjuagar el sistema con anticoagulante. Para hacerlo, sencillamente conecte una manguera de jardín (cuya extensión no sobrepase los cuatro pies) a la boca de entrada en la bomba, colocando el extremo opuesto en un envase de anticoagulante. Asegúrese de quitar la tobera de la manguera. Encienda la máquina para absorber el anticoagulante al sistema. Cuando fluya anticoagulante fuera del extremo de la manguera, apague la máquina. Conecte la manguera de alta presión y el gatillo, y siga el procedimiento arriba indicado. Cicle el gatillo de encendido a apagado para que el anticoagulante fluya hacia la sección del descargador e inyector de la máquina.

Cuando se esté preparando para operar el equipo para la siguiente tarea, quite el anticoagulante. Para hacerlo, reconecte la fuente de agua, encienda la bomba y dirija el flujo de anticoagulante hacia el envase de nuevo. Procure no diluir el anticoagulante con el suministro de agua que entra. El anticoagulante, si se mantiene relativamente libre de dilución, puede utilizarse una y otra vez.

Las mangueras también pueden protegerse contra la congelación mediante el uso de aire comprimido para despejarlas del agua residual. Recuerde que debe quitar la tobera de la manguera de chorro, y sujetar el gatillo de la vara de rociado en la posición abierta.

## AJUSTANDO EL DESCARGADOR DE PRESION

La máquina está equipada con descargador de presión para impedir las sobrecargas de presión, en el caso de que la tobera esté atorada, o si la válvula de salida o el gatillo de la vara de rociado están apagados. Cuando la máquina se encuentra en el modo de desviación (bypass), la bomba seguirá funcionando. Sin embargo, el funcionamiento en el modo de desviación por períodos extensos resultará en daño a la bomba – no más de 5 minutos con la bomba J-1450. Los excesos de temperatura dañarán la bomba e invalidarán la garantía.

Si está operando el chorro eléctrico con amperaje limitado disponible, puede reducir la tracción del amperaje de la máquina reduciendo el descargador. Reduciendo la presión a 1000 psi, podrá reducir la tracción de amperaje a menos de 10 amperios. Para ajustar el descargador, afloje la tuerca de cierre y gire la perilla en sentido sinistrorso para reducir la presión, y en sentido dextrorso para aumentar la presión. Precaución: No apriete el descargador excesivamente. Apriete la tuerca de cierre después de haber realizado los ajustes.

## ACCESORIOS

### CARRETE HANDY-REEL CON PEDAL – Núm. de cat. HM-200-W (OPCIONAL)

El Handy-Reel permite la aplicación remota del chorro. El chorro puede posicionarse a nivel del suelo, mientras que el Handy-Reel puede transportarse hasta el techo para desatorar desfuegos y chimeneas. Con la ayuda del Handy-Reel, los chorros con motor de gasolina se pueden utilizar para las aplicaciones puertas adentro mientras que la máquina funciona afuera de manera segura. El pedal interrumpe el flujo de agua entre la bomba y la tobera, dejando ambas manos libres para guiar la manguera. Posicione el Handy-Reel al desagüe. Conecte la máquina de chorro a la boca de entrada en el pedal. Seleccione y conecte la tobera a la manguera en el carrete. Coloque la manguera 2-3 pies dentro de la línea de desagüe. Siga los procedimientos de arranque.

### PEDAL SOLAMENTE - Núm. de cat. FM-1 (OPCIONAL)

El pedal puede utilizarse con cualquier chorro fabricado por General. Interrumpe el flujo de agua entre la bomba y la tobera, dejando ambas manos libres para guiar la manguera. La bomba seguirá funcionando en el modo de desviación (bypass). No deje la bomba en el modo de desviación por más de algunos minutos, o la bomba podrá quedar dañada (ver Descargador de Presión).

El pedal puede conectarse en la máquina o remotamente en el sitio de desagüe. Para usar el pedal en la máquina, quite la manguera desde la pieza giratoria del carrete de manguera y conéctela al lado de entrada del pedal. Luego, conecte la manguera de accesorio (disponible en extensiones de 6, 25 ó 50 pies) entre la salida del pedal y la pieza giratoria en el carrete de manguera. Algunos modelos de chorro podrán requerir la extensión adicional de la manguera de accesorio en el lado de la boca de entrada del pedal.

Para el funcionamiento remoto, tire la manguera del carrete de manguera al sitio de desagüe. Conecte la manguera a la entrada del pedal. El pedal está diseñado para aditamentos de manguera de 3/8 pulg. Si está utilizando una manguera de 1/4 pulg., utilice el adaptador AD-1 también. Conecte entonces la manguera de diámetro reducido (1/8 pulg. o 1/4 pulg.) al lado de salida del pedal. Utilice la manguera más pequeña para desatorar la cañería de drenaje.

### VARA DE ROCIADO - Núm. de cat. SWA-1500 (OPCIONAL)



**TENGA CUIDADO AL REALIZAR LAVADO A PRESIÓN. UTILICE GAFAS Y GUANTES DE CAUCHO Y BOTAS. ANALICE EL ÁNGULO DE ROCIADO Y ANTICIPE EL ÁNGULO DE SALPICADURA. NO APUNTE EL ROCIO CONTRA NADIE, INCLUYENDO A SÍ MISMO. NO COLOQUE LA MANO FRENTE AL CHORRO DE ROCIADO, YA QUE PUEDE PERFORAR LA PIEL Y CAUSAR LA NECESIDAD DE AMPUTACIÓN. LO MEJOR ES COMENZAR EN UN ÁNGULO DE 45 GRADOS A UNA DISTANCIA DE 2 A 3 METROS (7 A 10 PIES) DEL OBJETO A LIMPIAR. EL ROCIADO DIRECTO A DISTANCIAS CERCANAS PUEDE SER LO SUFICIENTEMENTE POTENTE COMO PARA CAUSAR DAÑO.**

La Vara de Rociado puede utilizarse para limpiar su camión u otras aplicaciones. Precaución: Nunca limpie la máquina con su propio rocío. Siga los mismos procedimientos indicados previamente para seguridad, preparación, operación y mantenimiento. Para operar la vara de rociado con su chorro de agua, desconecte el conector retorcido en la válvula de salida. Entonces, conecte la manguera de la vara de rociado, el gatillo y la vara en sí en la válvula de salida. Encienda el suministro de agua, apriete posteriormente el gatillo para purgar aire del sistema. Siga apretando el gatillo mientras que enciende la máquina.

Sostenga la tobera de rociado de alta presión aproximadamente 6-8 pies de la superficie a limpiar. Cuando vaya a limpiar con detergente, aplíquelo desde el fondo hacia arriba con un movimiento uniforme de izquierda a derecha. Enjuague desde la parte superior hacia abajo con un movimiento parecido. Esto ayudará a reducir el potencial de rayaduras. Siempre aplique jabón a una superficie seca. Esto mejorará la penetración y la tracción del detergente, reduciendo la dilución del detergente con una superficie que ya está mojada.

Podrá succionar jabón a través de la vara de rociado junto con el inyector químico opcional. Primero, monte el sistema del inyector químico (ver el Inyector Químico). Entonces, sencillamente gire el barril de la tobera en el extremo de la vara en sentido sinistrorso. A la par que se expande el patrón de rociado, más detergente será aspirado a través de la vara. Gire la tobera en sentido dextrorso para reducir el flujo de detergente y reducir el patrón de rociado de agua para volver a la alta presión.

### INYECTOR QUÍMICO – Núm. de cat. CMA-1 (Optional)

Para usar el inyector químico, desconecte el Conector Retorcido en la válvula de salida del chorro. Entonces, enrosque el inyector químico sobre el mismo. La Vara de Rociado se enrosca al extremo libre del inyector químico. No conecte el Inyector Químico al lado de entrada de la bomba. Los detergentes pueden dañar la bomba.

Para utilizar el inyector de detergente, conecte un extremo de la manguera del sifón al aditamento arponado en el inyector, colocando el extremo de filtro en la solución de detergente. Asegúrese de que el extremo de la manguera esté en el fondo del envase o cubeta. Algunos modelos tienen válvulas ajustables para controlar la cantidad de detergente aspirado por la manguera.

## MANTENIMIENTO



**DESCONECTE EL SURTIDOR DE CHORRO DE LA FUENTE DE POTENCIA ANTES DE REALIZAR MANTENIMIENTO O HACER CUALQUIER AJUSTE.**

La inspección regular es esencial para impedir averías y prolongar la vida del equipo. Siga este procedimiento sencillo asiduamente.

### A DIARIO

- Revise el FILTRO DE ENTRADA antes de cada uso por si hay escombros.
- Revise que el NIVEL DE ACEITE DE LA BOMBA se encuentre dentro de la gama de funcionamiento en la varilla de inmersión o la ventanilla indicadora.
- Revise que las toberas de chorro no estén atoradas ni desgastadas.

### SEMANAL

- Revise la manguera de presión por si hay desgaste y daño. Las mangueras dañadas podrán ser reparadas por un concesionario de servicio local o por su concesionario de equipo.

**Cambio del aceite en el cárter de la bomba:** Rendir servicio después del 1er mes o después de 20 horas. Después, rendir servicio cada año o 500 horas. Utilice Aceite de Motor Sin Detergente SAE 30 W hasta la marca completa de la varilla de inmersión hasta el punto en la ventanilla indicadora.

GUÍA DE RESOLUCIÓN DE PROBLEMAS		
Problema	Causa Probable	Solución
Baja presión.	Tobera gastada, atorada o sobredimensionada.	Limpie o reponga la tobera dañada. Revise el tamaño de la tobera.
	Atoramiento de la coladera de agua de entrada.	Limpie o reponga las coladeras.
	Suministro inadecuado de agua.	Asegúrese de que el suministro de agua esté plenamente encendido. Asegúrese de que la manguera de suministro de agua sea de al menos 3/4 pulg. en diámetro, en buen estado, sin cocas ni daño, y que no sea en exceso de 50 pies.
	Tazas de émbolo dañadas o gastadas.	Reponga las tazas de émbolo.
	Boca de entrada o válvula de descarga gastada o dañada.	Reponga los discos de las válvulas de movimiento vertical o los resortes de las válvulas.
	Suciedad o partículas foráneas en el ensamblado de válvula.	Quite cualquier partícula de suciedad.
	Fuga de aire en la plomería de la boca de entrada.	Localice la fuga de aire. Vuelva a sellar la conexión o reponga el puerto dañado.
Funcionamiento inestable con pérdida de presión.	Restricción de la plomería de entrada o fuga de aire en la plomería de entrada.	Repáre los aditamentos de entrada atorados. Revise la manguera de suministro y asegure que el suministro de agua sea el adecuado.
	Daño al émbolo, la taza o la válvula de la bomba.	Reponga cualquier pieza dañada de la bomba y limpie cualquier partícula foránea.
	Tobera atascada.	Limpie o reponga la tobera.
Fugas de agua en el colector de entrada o en el cárter.	Desgaste en los sellos del colector, pistón o anillos tóricos, o condensación dentro del cárter.	Reponga los sellos, casquillos o anillos tóricos. Cambie el aceite a intervalos regulares.
	Suministro inadecuado de agua a la bomba, creando enclavamiento de vacío.	Asegúrese de que el suministro de agua de pila sea adecuado. Desatore el filtro de entrada.
Fugas de aceite.	Pistones desgastados y/o fugas de sellos del cárter, sellos de la cubierta del cárter o tapones de vaciado.	Reponga los sellos, casquillos o anillos tóricos.
Desgaste excesivo.	Cojinetes desgastados o aflojados.	Reponga los cojinetes. Revise los sellos de cojinete, espaciadores y retenes. Reponga cualquier pieza dañada.
Vida corta de la taza del émbolo.	Cilindros dañados por bombear ácidos.	Reponga los cilindros. No bombee soluciones ácidas. Para aplicar ácidos, procure un inyector salvador de bombas de parte de su concesionario.
	Partículas abrasantes en el fluido que se está bombeando.	Reponga los coladores de agua y detergente si están dañados o ausentes. Instale un filtro adicional si los abrasantes finos aún siguen presentes.
	Operario(s) utilizando la bomba sin suministro de agua.	No permita que se utilice el lavador sin el suministro de agua apropiado.
	Agua caliente en la bomba.	No opere en el modo desviación (bypass) por más de 5 minutos. No permita que el suministro de agua supere 60°C (140°F).
Patrón de rociado irregular.	Tobera desgastada o parcialmente atorada.	Limpie o reponga la tobera.

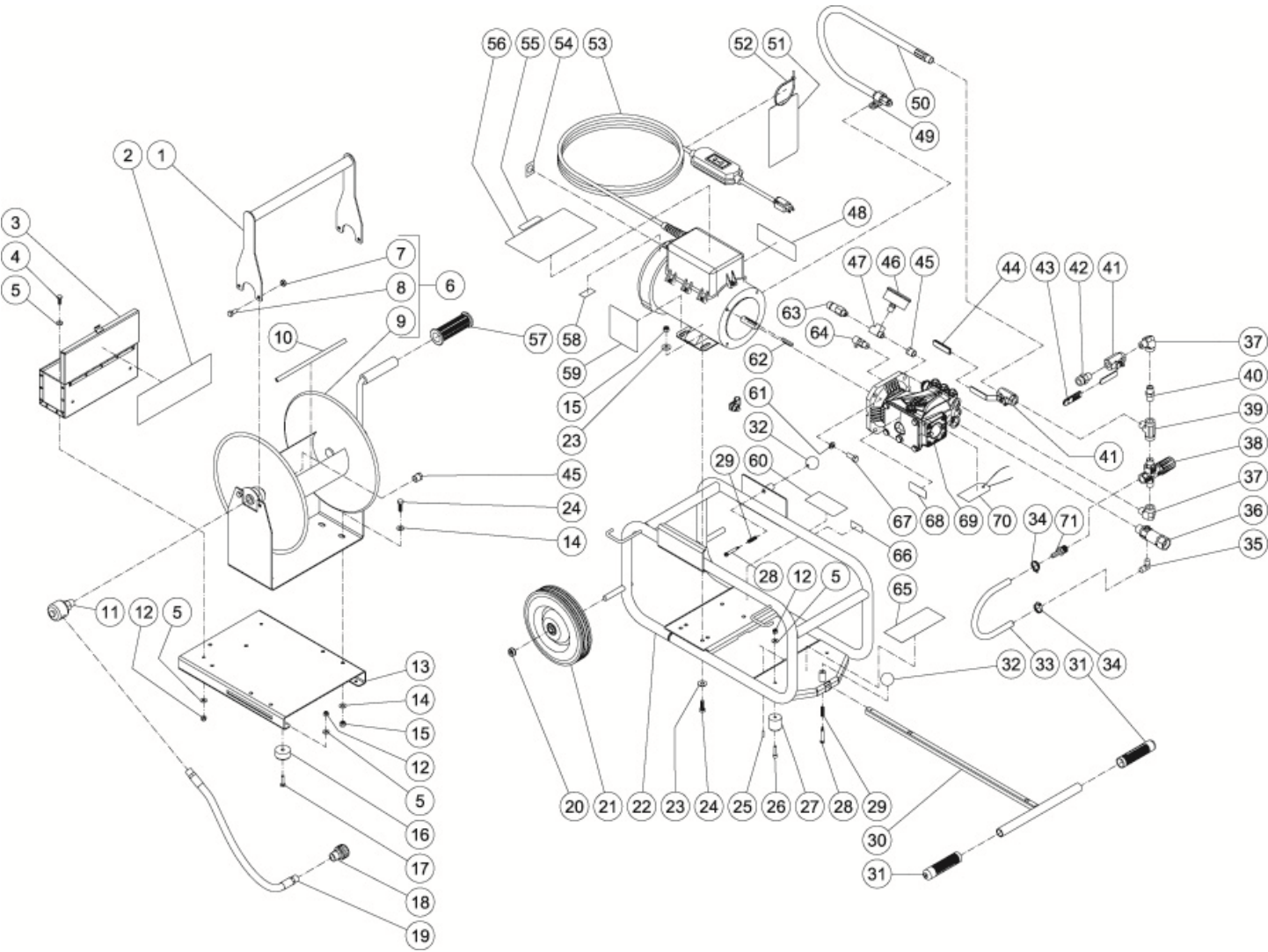
GUÍA DE RESOLUCIÓN DE PROBLEMAS (continuación)		
Problema	Causa Probable	Solución
Lavadora no puede aspirar detergente.	Válvula de medición de detergentes cerrada, o válvula atorada o defectuosa.	Abra la válvula de medición de detergentes según el procedimiento en las instrucciones de funcionamiento.
	Contrapresión en la manguera (al usar extensiones adicionales de manguera de presión).	Comuníquese con el concesionario para el tamaño correcto de inyector al añadir extensiones de manguera.
	Contrapresión en la manguera (al usar la vara de lanza doble).	Usar la tobera de inundación de tamaño correcto en la vara de lanza doble (refiérase al desglose de piezas).
	Tubo de succión no está por debajo de la superficie del líquido.	Sumerja el tubo de succión y la coladera completamente en la solución de detergente.
	Coladera de succión atorada o dañada.	Limpie o reponga la coladera.
Solución de detergente demasiado débil.	Coladera de succión atorada.	Limpie o reponga la coladera.
	Fuga de aire en el tubo de succión de detergente o plomería de entrada.	Localice la fuga de aire y limpie o reponga las piezas según sea necesario.
Exceso de concentración de la solución detergente.	Exceso de concentración del detergente original.	Diluya el producto según sea necesario para obtener la concentración correcta.
Detergente en el ciclo de enjuague.	Vara de lanza doble o portador de tobera ajustable en la posición de abierto, o válvula de medición de químicos abierta.	Cierre el portador ajustable de la vara de lanza doble para lograr la alta presión. Cierre la válvula de medición de detergente.
	Válvula de retención interna desgastada o defectuosa.	Repáre o reponga la válvula de retención o las piezas del inyector según sea necesario.
Dilución de la concentración del detergente durante el ciclo.	Válvula de retención defectuosa en el tanque de detergente.	Reponga las piezas según sea necesario.
Descargador se enciende.	Fuga de un aditamento aguas abajo.	Apriete / reponga el aditamento.
	Embolo o resorte de válvula descompuesto o desgastado.	Reponga las piezas según sea necesario.
	Tobera atorada.	Limpie o reponga la tobera.
Fuga de fluido de la envolvente.	Anillo tórico desgastado o cortado.	Reponga la pieza según sea necesario.
Descargador no alcanza la presión.	Partícula foránea en la válvula.	Limpie o reponga la válvula.
	Tobera gastada o del tamaño equivocado.	Reponga la pieza según sea necesario.
	Embolo o válvula desgastada.	Reponga la pieza según sea necesario.
Picos extremos de presión.	Tuerca de ajuste virada completamente hacia el descargador.	Retroceda la tuerca de ajuste.
	Tobera atorada.	Limpie o reemplace la tobera.

Consulte las páginas 30 - 31 para la Lista de Piezas y los Diagramas Esquemáticos.



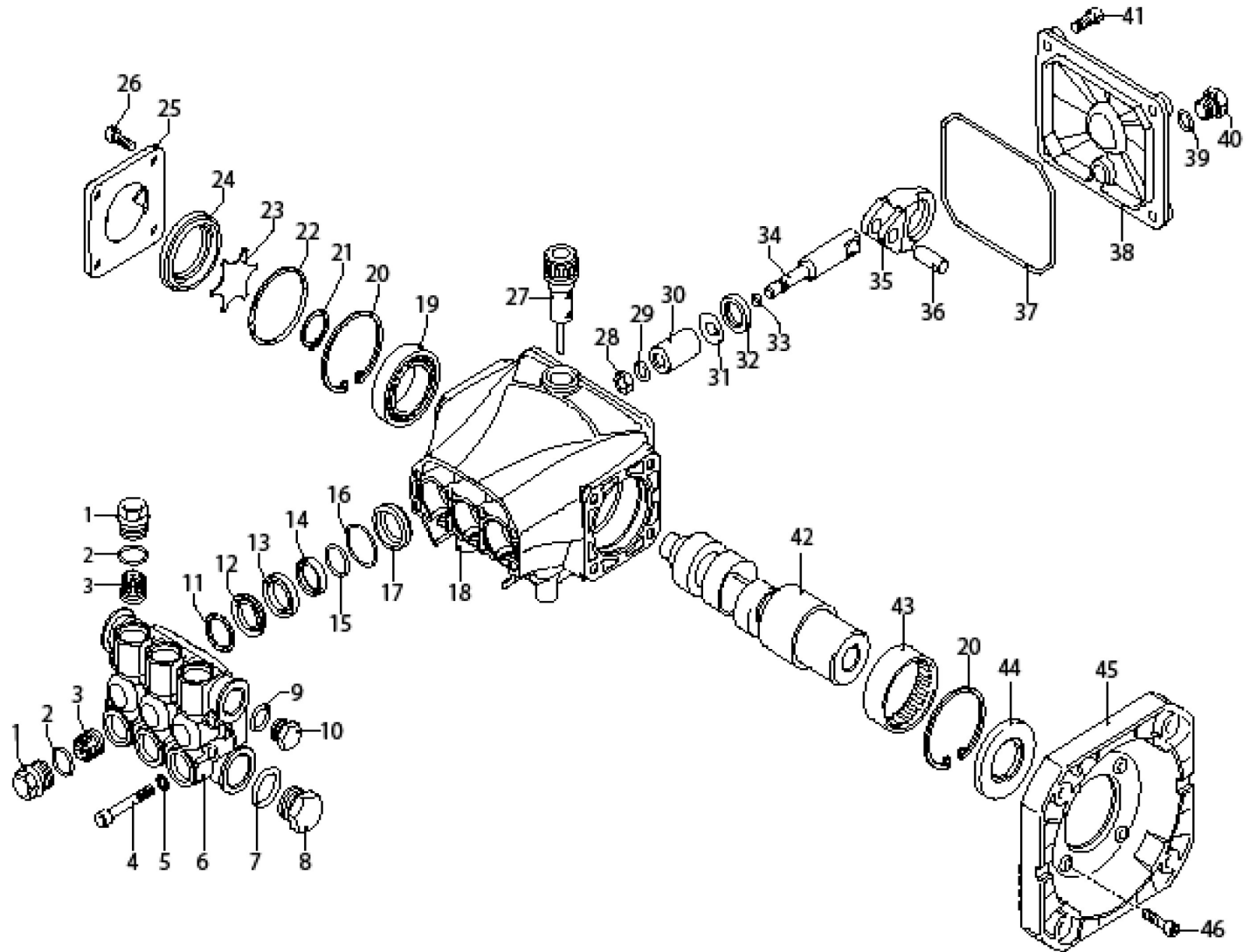
## JM-1450 PARTS LIST

ITEM	DESCRIPTION	PART #	QTY	ITEM	DESCRIPTION	PART #	QTY
1	HOSE REEL HANDLE	JM7-0225A01	1	38	UNLOADER	JM8-0629	1
2	DECAL - WARNING/OPERATION SEWER JET ELEC (SEE JM71-0001)	N/A	1	39	TEE	JM24-0184	1
3	COMPONENT TOOL BOX	JM20-1213A64	1	40	NIPPLE	JM24-0010	1
4	BOLT	JM27-0015	2	41	BALL VALVE	JM22-0494	2
5	WASHER	JM28-0002	10	42	SCREW NIPPLE	JM23-0493	1
6	13" HOSE REEL ASSEMBLY	JM50-0191	1	43	HANDLE GRIP	JM7-0226	1
7	NUT	N/A	1	44	HANDLE GRIP	JM7-0230	1
8	BOLT	N/A	1	45	REDUCER	JM23-0017	2
9	HOSE REEL	N/A	1	46	PRESSURE GAUGE	JM22-0466	1
10	EDGING *(ONE FOOT REQUIRED)	JM33-0020	1	47	TEE	JM23-0127	1
11	HOSE REEL SWIVEL	JM24-0335	1	48	DECAL - WARNING RISK OF INJECTION/ EXPLOSION (SEE JM71-0001)	N/A	1
12	LOCKNUT	JM30-0155	8	49	CLIP	JM33-0291	1
13	HOSE REEL MOUNTING PLATE	JM20-1218A01	1	50	HOSE - 24" LONG	JM15-0308	1
14	WASHER	JM28-0003	8	51	TAG - WARNING RISK OF ELECTROCUTION	JM34-1035	1
15	LOCKNUT	JM30-0157	9	52	CABLE TIE	JM33-0022	1
16	ISOLATOR	JM14-0069	4	53	MOTOR ASSEMBLY	JM851-0388	1
17	BOLT	JM27-0016	4	54	DECAL-ON/OFF (SEE JM71-0001)	N/A	1
18	SCREW COUPLER	JM23-0490	1	55	DECAL - WARNING BACKFLOW PROTECTION (SEE JM71-0001)	N/A	1
19	HOSE - 18" LONG	JM15-0313	1	56	DECAL - WARNING RISK OF ELECTROCUTION (SEE JM71-0001)	N/A	1
20	HUB CAP	JM33-0055	2	57	HANDLE GRIP	JM7-0167	1
21	WHEEL	JM14-0124	2	58	DECAL - ON/OFF JM-1450 (SEE JM71-0001)	N/A	1
22	FRAME	JM5-0305A64	1	59	DECAL - CAUTION/IMPORTANT - (E/S) (SEE JM71-0001)	N/A	1
23	WASHER	JM28-0022	10	60	DECAL- SILVER STICKER	N/A	1
24	BOLT	JM27-0067	8	61	LOCKWASHER	JM29-0008	4
25	SPRING PIN	JM43-0138	1	62	KEY	JM43-0072	1
26	BOLT	JM27-0850	2	63	POP-OFF VALVE	JM22-0046	1
27	ISOLATOR	JM14-0119	2	64	HEAT DUMP VALVE	JM22-0408	1
28	SHOULDER SCREW	JM27-0895	2	65	DECAL - JM-1450 BASEPLATE (SEE JM71-0001)	N/A	1
29	SPRING	JM49-0165	2	66	DECAL - JM-1450 1500PSI MAX (SEE JM71-0001)	N/A	1
30	HANDLE	JM7-0224	1	67	BOLT	JM27-0117	4
31	HANDLE GRIP	JM7-0143	2	68	DECAL - PUMP INSTRUCTIONS (SEE JM71-0001)	N/A	1
32	BALL KNOB	JM7-0223	2	69	PUMP	JM3-0367	1
33	BYPASS HOSE	JM15-0020	1	70	TAG - IMPORTANT OIL PLUG	JM34-1067	1
34	HOSE CLAMP	JM42-0011	2	71	HOSE BARB	JM23-0073	1
35	ELBOW	JM23-0123	1	-	DECAL SET/JM-1450	JM71-0001	1
36	FILTER	JM19-0207	1		*MUST ORDER IN ONE FOOT LENGTHS		
37	ELBOW	JM24-0105	2				



## JM-1450 PUMP ASSEMBLY PARTS LIST

ITEM	DESCRIPTION	PART #	QTY	ITEM	DESCRIPTION	PART #	QTY
1	VALVE PLUG	JM39-0241	6	27	OIL CAP	JM39-0090	1
2	O-RING - 15.6mm X 1.78mm (SEE 70-0565)	JM25-0644	6	28	NUT	JM30-6016	3
3	COMPLETE VALVE (SEE 70-0456)	N/A	6	29	WASHER	JM26-0187	3
4	SCREW	N/A	8	30	PISTON	JM46-1459	3
5	WASHER	N/A	8	31	SPACER	JM28-1027	3
6	HEAD	N/A	1	32	SEAL (SEE 70-0566)	JM26-0193	3
7	O-RING (SEE 70-0565)	JM25-0372	1	33	O-RING (SEE 70-0565)	JM25-0371	3
8	PLUG	JM39-0202	1	34	PISTON GUIDE	N/A	3
9	O-RING (SEE 70-0565)	JM25-0510	1	35	CONNECTING ROD	N/A	3
10	PLUG	JM39-0206	1	36	CONNECTING ROD PIN	JM46-0721	3
11	RING (SEE 70-0563)	N/A	3	37	O-RING (SEE 70-0565)	N/A	1
12	GASKET (SEE 70-0581)	N/A	3	38	REAR COVER	JM46-1455	1
13	PACKING RETAINER	JM46-1457	3	39	O-RING (SEE 70-0565)	JM25-0387	1
14	GASKET (SEE 70-0581)	N/A	3	40	PLUG	JM9-0096	1
15	RING (SEE 70-0581)	N/A	3	41	SCREW	N/A	4
16	O-RING (SEE 70-0581)	JM25-0149	3	42	CRANKSHAFT	N/A	1
17	RETAINER	JM46-1458	3	43	BEARING	N/A	1
18	PUMP BODY	N/A	1	44	SEAL (SEE 70-0566)	JM26-0192	1
19	BEARING	JM48-0063	1	45	FLANGE	JM46-1460	1
20	SNAP RING	JM46-0676	2	46	SCREW	N/A	4
21	SNAP RING	JM46-0732	1	-	KIT - VALVES (INCLUDES ITEM #3)	JM70-0456	
22	O-RING (SEE 70-0565)	N/A	1	-	KIT - SUPPORT RING (INCLUDES ITEM #11)	JM70-0563	
23	OIL DISC	JM46-1451	1	-	KIT - O-RINGS (INCLUDES ITEMS 2,7,9,16,22,33,37,39)	JM70-0565	
24	OIL INDICATOR	JM46-1452	1	-	KIT - OIL SEALS (INCLUDES ITEMS 32,44)	JM70-0566	
25	COVER	JM46-1453	1	-	KIT - WATER SEALS (INCLUDES ITEMS 12,14,15,16)	JM70-0581	
26	SCREW	JM27-8888	8				



**DATE**  
05/01/12

**SERIAL # BREAK**  
29001393

**REASON FOR CHANGE**  
Unloader change

**General Wire Spring Co,  
1101 Thompson Avenue  
McKees Rocks, PA 15136**

**412-771-6300      [www.drainbrain.com](http://www.drainbrain.com)**