

# Concrete Inserts

## TOLCO™ Fig. 109A - Concrete Deck Insert - Hanger Application

**Size Range:** 3/8"-16 thru 7/8"-9 rod

**Material:** Steel

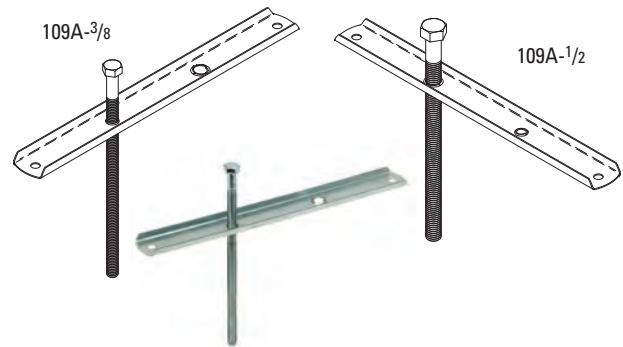
**Function:** For use in metal deck formed concrete to attach hanger rods. Allows for pre-positioning of hanger rods in poured concrete decks.

**Approvals:** 3/8" - 5/8" rod size is Underwriters Laboratories listed in the USA (**UL**) and Canada (**cUL**). Included in our Seismic Restraints Catalog approved by the State of California Office of Statewide Health Planning and Development (**OSHPD**). For additional load, spacing and placement information relating to OSHPD projects, please refer to the TOLCO Seismic Restraints Systems Guidelines.

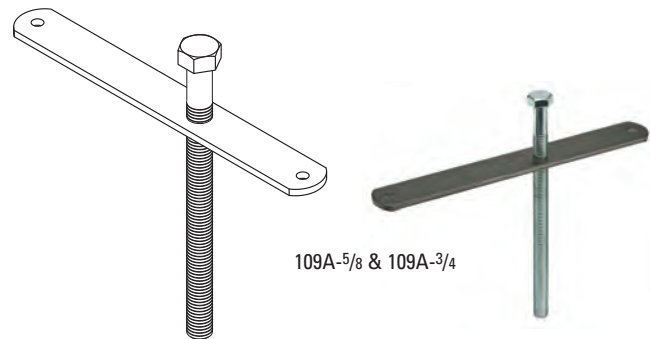
**Finish:** Plate: Plain Steel. Rod: Electro-Galvanized. Contact customer service for alternative finishes and materials.

**Order By:** Part number, rod size and finish. Contact customer service for custom rod lengths.

Component of State of California OSHPD Approved Seismic Restraints System



Standard Bolt Length  
8" (203.2mm)



109A-5/8 & 109A-3/4

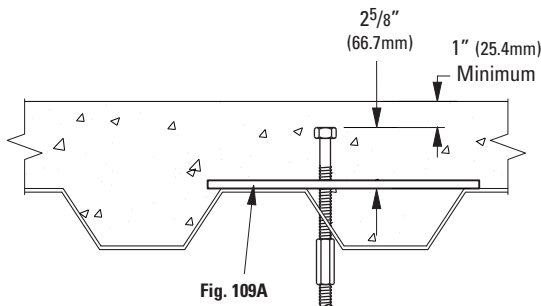


Fig. 109A

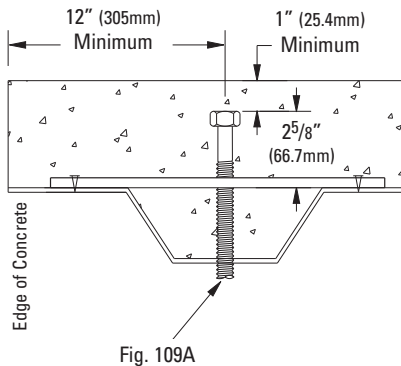


Fig. 109A

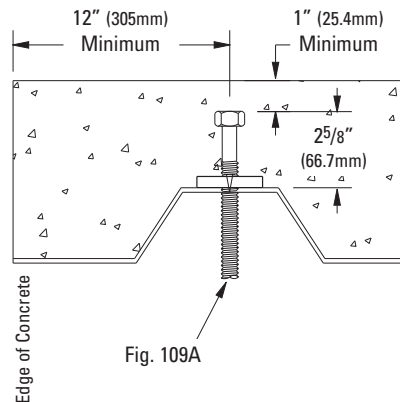


Fig. 109A

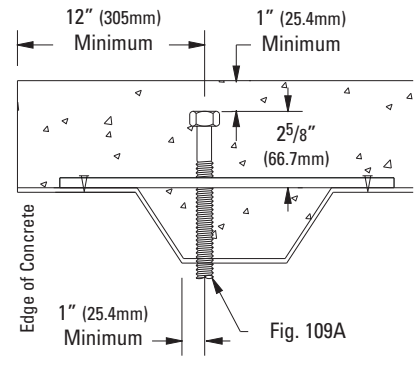


Fig. 109A

Part No.	Rod Size	Max. Pipe Size in. (mm)	Max. Hanger Spacing in. (m)	Max. Recommended Loads lbs. (kN)	Approx. Wt./100 lbs. (kg)
109A-3/8	3/8"-16	4" (101.6)	15'-0" (4.57)	572 (2.54)	67.0 (30.4)
109A-1/2	1/2"-13	8" (203.2)	15'-0" (4.57)	579 (2.57)	69.0 (31.3)
109A-5/8	5/8"-11	Contact Factory		715 (3.18)	71.0 (32.2)
109A-3/4	3/4"-10	Contact Factory		1000 (4.45)	213.0 (96.6)
109A-7/8	7/8"-9	Contact Factory		1000 (4.45)	217.0 (98.4)

Max. Recommended Loads shown include safety factor of 5. Weight is based on the standard bolt length.

### NOTES:

1. Mounting holes are standard. If the plate is not mechanically secured to the deck ribs, a jam nut is required to prevent the anchor bolt from laying over when concrete is poured.
2. Minimum spacing between inserts shall be not less than 4 1/2" (114.3mm) for 3/8" and 6" (1152.4mm) for 1/2"

All dimensions in charts and on drawings are in inches. Dimensions shown in parentheses are in millimeters unless otherwise specified.