

PFXC5150

Single Handle Kitchen Faucet with Pull Out Spray



Product Features

- 1 or 3 hole installation
- Flow rate: 1.5 GPM
- Metal lever handle
- Ceramic disc cartridge
- 2 function sprayhead
- Optional deck plate included
- Max deck thickness for 1 hole: 2-15/16" for 3 hole: 2-3/8"
- Faucet drilling hole size: 1-1/4"
- 1/2" IPS connections
- Brass body construction
- Meets ANSI:A112.18.1M
- NSF 61 compliant
- cUPC/IAPMO listed



PFXC5150CP

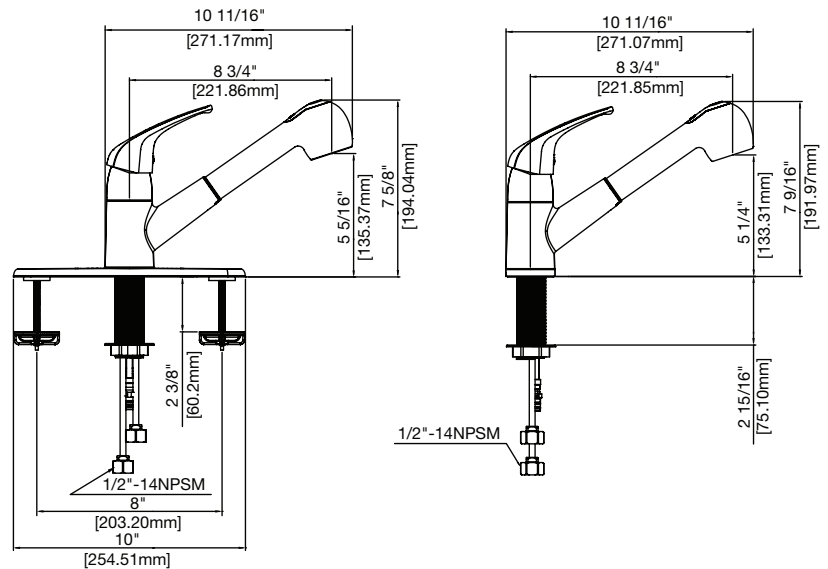
Model Numbers

PFXC5150CP	chrome
PFXC5150BN	brushed nickel
PFXC5150ORB	oil rubbed bronze

Available Parts

PF3357061	Cartridge
PF67393CP	Chrome Spray Head
PF67393BN	Brushed Nickel Spray Head
PF67393ORB	Oil Rubbed Bronze Spray Head

Product Specification



Warranty and Codes

This product comes complete with installation, operating, care and maintenance instructions. This PROFLO faucet carries a limited lifetime warranty when installed in residential applications. The warranty is five years in commercial applications. This product meets ANSI: A112.18.1M. *Compliant with lead content requirements of US Senate Bill S.3874

CALIFORNIA PROP 65 WARNING: This product may contain chemicals known to the State of California to cause cancer, birth defects or other reproductive harm. **Wash hands after handling.**

