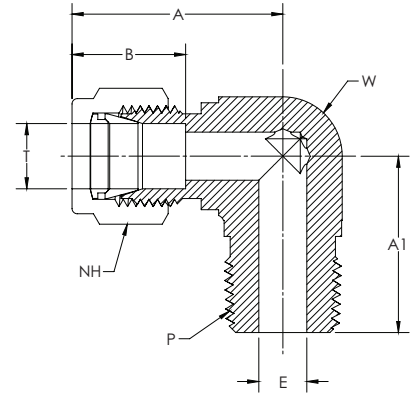
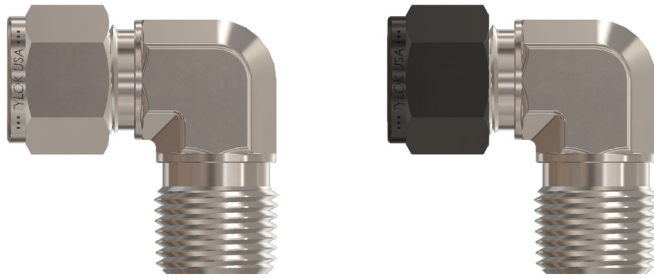


# DME/SME

## Male Elbow



CBC PART NUMBER	INTERCHANGES WITH		CS PART NUMBER	INTERCHANGES WITH		T TUBE O.D.	P PIPE END NPT	A	A1	B	E THRU HOLE	NH NUT HEX	W WRENCH FLAT
1-DME-1	100-2-1	1MSEL1N	1-SME-1	1-1 CBZ	1/16	1/16	0.80	0.74	0.34	0.05	5/16	1/2	
1-DME-2	100-2-2	1MSEL2N	1-SME-2	1-2 CBZ	1/16	1/8	0.80	0.74	0.34	0.05	5/16	1/2	
2-DME-1	200-2-1	2MSEL1N	2-SME-1	2-1 CBZ	1/8	1/16	0.98	0.74	0.52	0.09	7/16	1/2	
2-DME-2	200-2-2	2MSEL2N	2-SME-2	2-2 CBZ	1/8	1/8	0.98	0.74	0.52	0.09	7/16	1/2	
2-DME-4	200-2-4	2MSEL4N	2-SME-4	2-4 CBZ	1/8	1/4	0.98	0.93	0.52	0.09	7/16	1/2	
B-2-DME-4	200-2-4	2MSEL4N	B-2-SME-4	2-4 CBZ	1/8	1/4	1.05	1.00	0.52	0.09	7/16	5/8	
2-DME-6	200-2-6	-	2-SME-6	-	1/8	3/8	1.09	1.03	0.52	0.09	7/16	11/16	
B-2-DME-6	200-2-6	-	B-2-SME-6	-	1/8	3/8	1.16	1.11	0.52	0.09	7/16	13/16	
3-DME-2	300-2-2	3MSEL2N	3-SME-2	3-2 CBZ	3/16	1/8	1.00	0.74	0.54	0.13	1/2	1/2	
3-DME-4	300-2-4	3MSEL4N	3-SME-4	3-4 CBZ	3/16	1/4	1.00	0.93	0.54	0.13	1/2	1/2	
B-3-DME-4	300-2-4	3MSEL4N	B-3-SME-4	3-4 CBZ	3/16	1/4	1.07	1.00	0.54	0.13	1/2	5/8	
4-DME-1	400-2-1	4MSEL1N	4-SME-1	4-1 CBZ	1/4	1/16	1.06	0.74	0.61	0.13	9/16	1/2	
4-DME-2	400-2-2	4MSEL2N	4-SME-2	4-2 CBZ	1/4	1/8	1.06	0.74	0.61	0.19	9/16	1/2	
4-DME-4	400-2-4	4MSEL4N	4-SME-4	4-4 CBZ	1/4	1/4	1.06	0.93	0.61	0.19	9/16	1/2	
B-4-DME-4	400-2-4	4MSEL4N	B-4-SME-4	4-4 CBZ	1/4	1/4	1.14	1.00	0.61	0.19	9/16	5/8	
4-DME-6	400-2-6	4MSEL6N	4-SME-6	4-6 CBZ	1/4	3/8	1.17	1.03	0.61	0.19	9/16	11/16	
B-4-DME-6	400-2-6	4MSEL6N	B-4-SME-6	4-6 CBZ	1/4	3/8	1.25	1.11	0.61	0.19	9/16	13/16	
4-DME-8	400-2-8	4MSEL8N	4-SME-8	4-8 CBZ	1/4	1/2	1.25	1.30	0.61	0.19	9/16	13/16	
4-DME-12	400-2-12	-	4-SME-12	-	1/4	3/4	1.40	1.45	0.61	0.19	9/16	1 1/16	
5-DME-2	500-2-2	5MSEL2N	5-SME-2	5-2 CBZ	5/16	1/8	1.18	0.82	0.65	0.19	5/8	5/8	
5-DME-4	500-2-4	5MSEL4N	5-SME-4	5-4 CBZ	5/16	1/4	1.18	1.00	0.65	0.25	5/8	5/8	
5-DME-6	500-2-6	-	5-SME-6	-	5/16	3/8	1.22	1.03	0.65	0.25	5/8	11/16	
B-5-DME-6	500-2-6	-	B-5-SME-6	-	5/16	3/8	1.30	1.11	0.65	0.25	5/8	13/16	
6-DME-2	600-2-2	6MSEL2N	6-SME-2	6-2 CBZ	3/8	1/8	1.20	0.82	0.67	0.19	11/16	5/8	
6-DME-4	600-2-4	6MSEL4N	6-SME-4	6-4 CBZ	3/8	1/4	1.20	1.00	0.67	0.28	11/16	5/8	
6-DME-6	600-2-6	6MSEL6N	6-SME-6	6-6 CBZ	3/8	3/8	1.24	1.03	0.67	0.28	11/16	11/16	
B-6-DME-6	600-2-6	6MSEL6N	B-6-SME-6	6-6 CBZ	3/8	3/8	1.32	1.11	0.67	0.28	11/16	13/16	
6-DME-8	600-2-8	6MSEL8N	6-SME-8	6-8 CBZ	3/8	1/2	1.32	1.30	0.67	0.28	11/16	13/16	
6-DME-12	600-2-12	6MSEL12N	6-SME-12	6-12 CBZ	3/8	3/4	1.47	1.45	0.67	0.28	11/16	1 1/16	
8-DME-2	810-2-2	-	8-SME-2	-	1/2	1/8	1.42	0.92	0.90	0.19	7/8	13/16	
8-DME-4	810-2-4	8MSEL4N	8-SME-4	8-4 CBZ	1/2	1/4	1.42	1.11	0.90	0.28	7/8	13/16	
8-DME-6	810-2-6	8MSEL6N	8-SME-6	8-6 CBZ	1/2	3/8	1.42	1.11	0.90	0.38	7/8	13/16	
8-DME-8	810-2-8	8MSEL8N	8-SME-8	8-8 CBZ	1/2	1/2	1.42	1.30	0.90	0.41	7/8	13/16	
8-DME-12	810-2-12	8MSEL12N	8-SME-12	8-12 CBZ	1/2	3/4	1.57	1.45	0.90	0.41	7/8	1 1/16	
8-DME-16	810-2-16	-	8-SME-16	-	1/2	1	1.76	1.83	0.90	0.41	7/8	1 3/8	
10-DME-4	-	-	10-SME-4	-	5/8	1/4	1.50	1.19	0.96	0.28	1	15/16	
10-DME-6	1010-2-6	10MSEL6N	10-SME-6	10-6 CBZ	5/8	3/8	1.50	1.19	0.96	0.38	1	15/16	
10-DME-8	1010-2-8	10MSEL8N	10-SME-8	10-8 CBZ	5/8	1/2	1.50	1.38	0.96	0.47	1	15/16	
10-DME-12	1010-2-12	10MSEL12N	10-SME-12	10-12 CBZ	5/8	3/4	1.57	1.45	0.96	0.50	1	1 1/16	
12-DME-4	-	-	12-SME-4	-	3/4	1/4	1.57	1.25	0.96	0.28	1 1/8	1 1/16	
12-DME-6	-	-	12-SME-6	-	3/4	3/8	1.57	1.25	0.96	0.38	1 1/8	1 1/16	
12-DME-8	1210-2-8	12MSEL8N	12-SME-8	12-8 CBZ	3/4	1/2	1.57	1.45	0.96	0.47	1 1/8	1 1/16	
12-DME-12	1210-2-12	12MSEL12N	12-SME-12	12-12 CBZ	3/4	3/4	1.57	1.45	0.96	0.63	1 1/8	1 1/16	
12-DME-16	1210-2-16	-	12-SME-16	-	3/4	1	1.76	1.83	0.96	0.63	1 1/8	1 3/8	
14-DME-8	-	-	14-SME-8	-	7/8	1/2	1.76	1.64	1.02	0.47	1 1/4	1 3/8	
14-DME-12	1410-2-12	14MSEL12N	14-SME-12	14-12 CBZ	7/8	3/4	1.76	1.64	1.02	0.63	1 1/4	1 3/8	
16-DME-8	-	-	16-SME-8	-	1	1/2	1.95	1.64	1.24	0.47	1 1/2	1 3/8	
16-DME-12	1610-2-12	16MSEL12N	16-SME-12	16-12 CBZ	1	3/4	1.95	1.64	1.24	0.63	1 1/2	1 3/8	
16-DME-16	1610-2-16	16MSEL16N	16-SME-16	16-16 CBZ	1	1	1.95	1.83	1.24	0.88	1 1/2	1 3/8	

NOTE: Dimensions subject to change, to be used for reference only.