

## Features

- Solid brass construction for durability and reliability.
- 1-1/4" connection.
- Reliable with non-removable metal stopper.
- For use in overflow applications.



## Codes/Standards






ASME A112.18.2/CSA B125.2

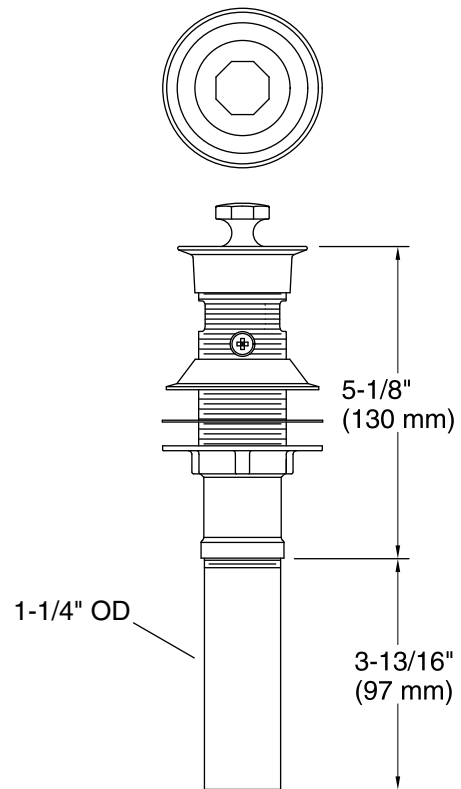
## Kohler One-Year Limited Warranty

See website for detailed warranty information.

## Available Color/Finishes

*Color tiles intended for reference only.*

Color	Code	Description
	CP	Polished Chrome
	SN	Vibrant® Polished Nickel
	BN	Vibrant® Brushed Nickel
	BV	Vibrant® Brushed Bronze
	2BZ	Oil-Rubbed Bronze



### Technical Information

All product dimensions are nominal.

### Notes

Install this product according to the installation guide.