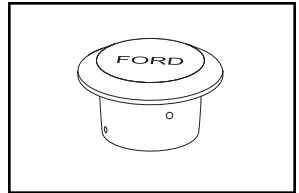
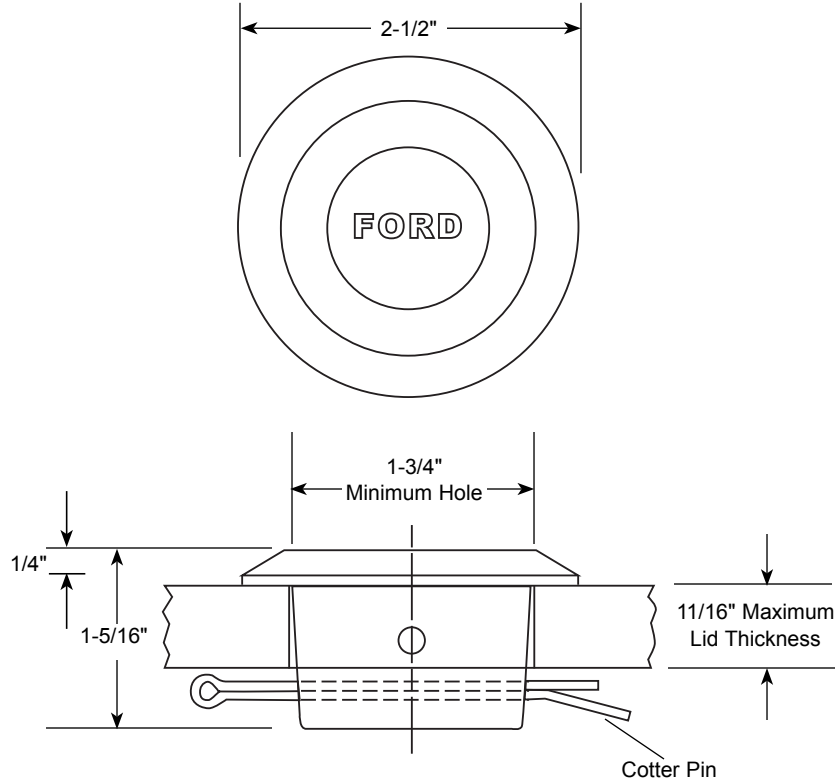


# SUBMITTAL INFORMATION

## Plug for EMR Hole - (TP style)



### REMOVABLE CAST IRON PLUG FOR ELECTRONIC METER READING LID



| PLUG           |                  | LID               |                       | COTTER PIN     | CATALOG NUMBER | ✓ SUBMITTED ITEM(S) |
|----------------|------------------|-------------------|-----------------------|----------------|----------------|---------------------|
| DESCRIPTION    | APPROX. WT. LBS. | MAXIMUM THICKNESS | MINIMUM HOLE DIAMETER | SIZE           |                |                     |
| Cast Iron Plug | 0.5              | 11/16"            | 1-3/4"                | 5/32" x 2-1/2" | TP             |                     |

### FEATURES

- Made from cast iron ASTM A48, Class 25
- Finish is black E-coating
- Secured with a 5/32" x 2-1/2" brass cotter pin on underside of lid (included)

The Ford Meter Box Company considers the information in this submittal form to be correct at the time of publication. Item and option availability, including specifications, are subject to change without notice. Please verify that your product information is current.



#### The Ford Meter Box Company, Inc.

P.O. Box 443, Wabash, Indiana U.S.A. 46992-0443

Phone: 260-563-3171 / Fax: 800-826-3487

Overseas Fax: 260-563-0167

<http://www.fordmeterbox.com>

08/16/11

Submitted By: