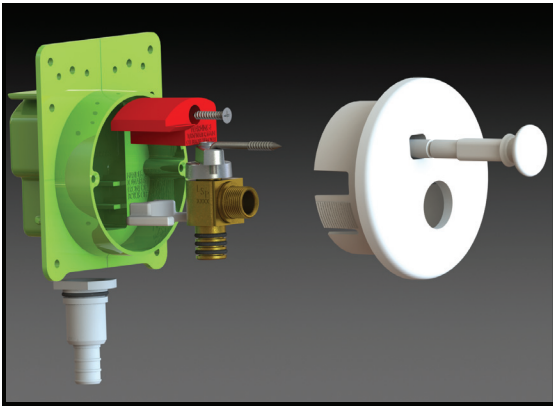


Specialty Products™

PULL STOP BOX™ Specification Sheet



SPECIFICATION

Furnish and install the Pull Stop Box™ outlet box as manufactured by LSP Products Group.

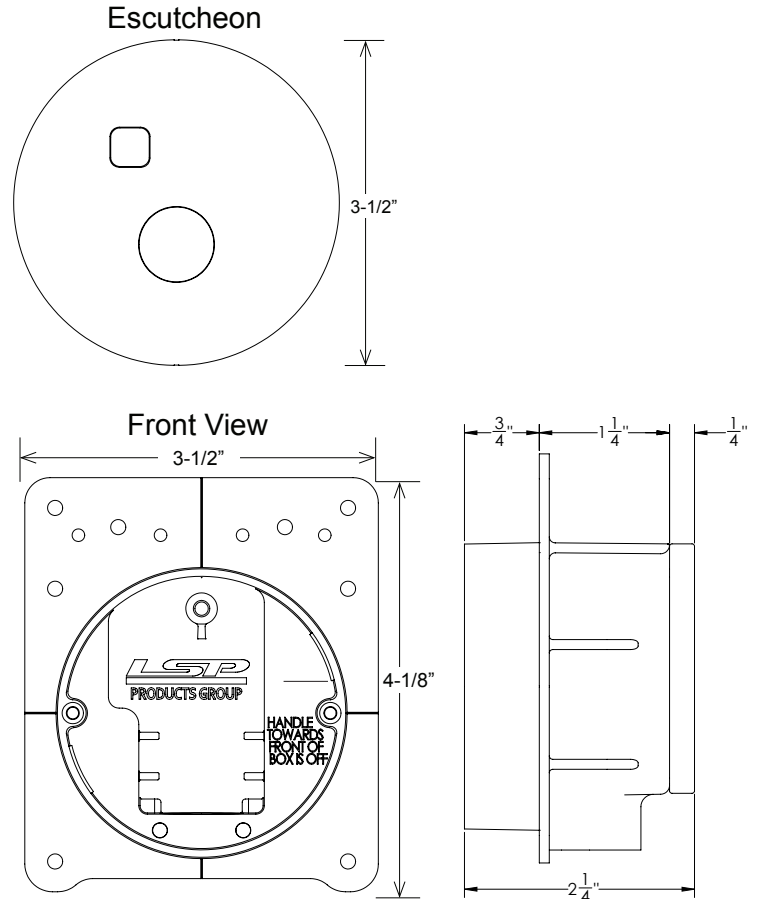
DESIGN FEATURES

- Patented box design moves the angle-stop for toilet and lavatory water supply into the wall
- Allows angle stops to be installed during the rough-in phase and be pressure tested for reduced liability and labor
- Easy to install vertically, upside down and horizontally
- Eliminates the need for a copper stub out and associated bracketing
- Unique push-pull handle opens and closes the valve.
- Integrated valve with reliable triple O-ring design can be easily replaced without having to cut into the wall
- 5-year, limited warranty

CAUTION

- Keep away from solvents/cements/primers
- Keep out of sun

DIMENSIONS



COMPLIANCES/LISTINGS

- IAPMO File #4577
- ASME A112.18.1 Standard
- Low Lead File 6371
- NSF Standard 61
- Complies with the applicable sections of the latest edition of the Uniform Plumbing Code® and the International Plumbing Code®



3689 Arrowhead Drive, Carson City, NV 89706

Phone: (800) 854-3215 | Fax: (800) 243-1777

E-mail: sales@lspproducts.com | Website: www.pullstopbox.com

Content matter is subject to change at any time. It is the user's responsibility to ensure the most updated revisions are obtained.
SP/SH (05-13) Rev 3

Product Submittal	
Job Name:	
Date:	
Part Number	Quantity
Architect:	
Contractor:	

Part Number	Inlet Type
ROUGH-IN KIT - includes box, valve, and protective cover	
OBPS-101-RK	1/2" Sweat
OBPS-102-RK	1/2" CPVC
OBPS-103-RK	1/2" PEX (Vanguard and Zurn)
OBPS-104-RK	1/2" Wirsbo PEX
OBPS-101-RK-LL	1/2" Sweat Lead Free
OBPS-102-RK-LL	1/2" CPVC Lead Free
OBPS-103-RK-LL	1/2" PEX (Vanguard and Zurn) Lead Free
OBPS-104-RK-LL	1/2" Wirsbo PEX Lead Free
TRIM KIT - includes knob and escutcheon	
OBPS-200-W	White - Paintable - Regular Depth 1/2" to 1-1/8" Depth
OBPS-300D-W	White - Paintable - Deep Depth 1-1/8" to 1-7/8" Depth (For Cabinets)
ACCESSORIES/REPLACEMENT PARTS	
P-06878	1/4 Turn Replacement Valve
P-06878-LL	1/4 Turn Replacement Valve Lead Free

ROUGH-IN INSTALLATION INSTRUCTIONS

1. Identify the desired outlet location.
2. Attach the supply line to the valve inlet via pipe manufactures recommended practice. (i.e., sweat for copper, solvent cement for CPVC, crimp rings for PEX)
3. Fasten the Pull Stop Box™ using two screws or two nails on the side of the box into vertical stud or mount using a Hyco strap, horizontal stud or Boss Bar™ onto the top of the box. (Do not over tighten screws or over drive nails)
4. The Pull Stop Box™ is shipped in the "off" position. Once the box is securely attached to the wall and the supply line is properly attached no further work is necessary during the rough-in phase. The included protective cover will protect the valve during the construction process.

TRIM INSTALLATION INSTRUCTIONS

1. Pull off the protective cover.
2. Feed a flexible connector through the escutcheon, and thread a flexible connector onto the valve outlet; tighten to manufacturer specifications.
3. Line up the threaded metal arm to fit through the square hole in the escutcheon and push the escutcheon into the outlet box until it is flush with the wall while making sure to feed the threaded metal arm through the square hole.
4. Thread the knob onto the threaded metal arm a minimum of four complete turns.
5. When water supply is desired push the knob towards the wall to turn the valve on.
6. To stop the flow of water, pull the knob out.

VALVE REPLACEMENT INSTRUCTIONS

1. Turn off water supply to building. Then, pull knob to "off" position. Then, unscrew knob and pull out escutcheon.
2. Use phillips screwdriver to remove screw from red valve block.
3. Remove current valve and replace with a new one.
4. Secure the valve block back into place with the screw.
5. Follow steps 2-6 under **Trim Installation Instructions**.



3689 Arrowhead Drive, Carson City, NV 89706

Phone: (800) 854-3215 | Fax: (800) 243-1777

E-mail: sales@lspproducts.com | Website: www.pullstopbox.com

Content matter is subject to change at any time. It is the user's responsibility to ensure the most updated revisions are obtained.
SP/SH (05-13) Rev 3

Product Submittal	
Job Name:	
Date:	
Part Number	Quantity
Architect:	
Contractor:	