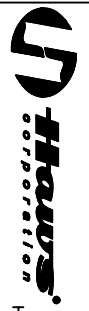
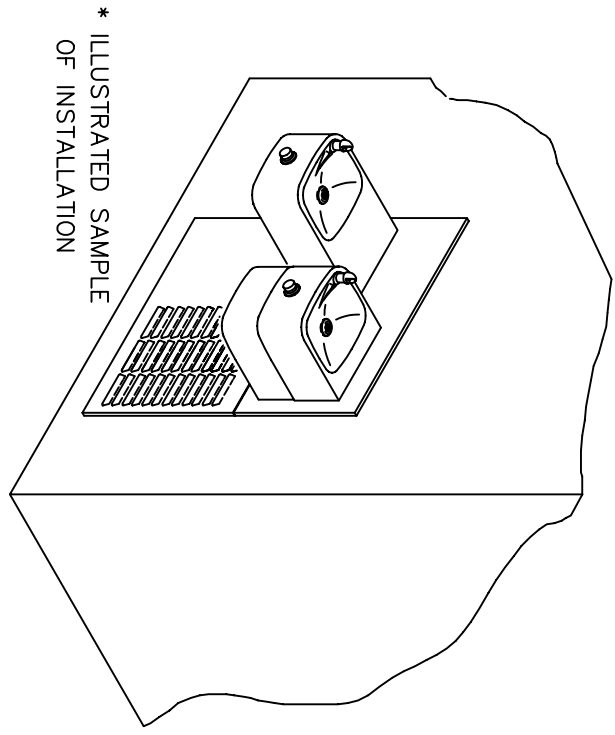


** REMOVE BOTTOM PLATE. ATTACH SKIRT WITH 6-32 X 1/4 BUTTON HEAD SCREWS SUPPLIED. REATTACH BOTTOM PLATE WITH EXISTING 6-32 SCREWS.



INFO FAX : 1-888-FAX-HAWS (1-888-329-4297)
 1455 Kleepe Ln, Sparks, NV, 89431
 Phone: 775-359-4712 Fax: 775-359-7424
 Haws Ag, Buchweg 3, CH-3401, Burgdorf, Switzerland
 Haws Mfg Pte Ltd, 74, Sungai Kadut Loop, Singapore 729531
 e-mail: HAWS@hawsco.com Website: www.hawsco.com

REVISED PER	DATE	TITLE: SS ADA SKIRT
GE	11/10/94	MODEL: SK1
INFO FAX	DOC # 2751	SCALE: 1:10
DRAWING TYPE:	INSTALLATION/ASSEMBLY	
DATE	SIZE	SHEET
11/20/99	A	1 OF 1