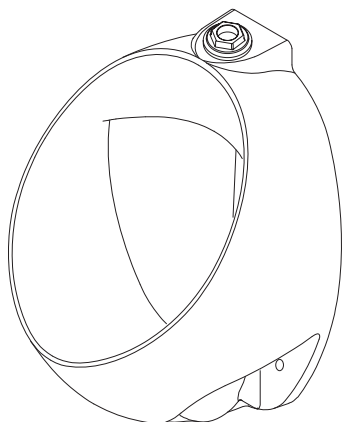


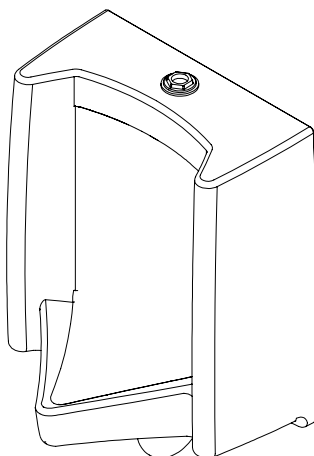
**Urinal**

**Urinario**

**Urinoir**



**UT105U(V)(G)  
UT104E(V)**



**UT445U(V)  
UT447E(V)**

**Warranty Registration and Inquiry**

For product warranty registration, TOTO U.S.A. Inc. recommends online warranty registration. Please visit our web site <http://www.totousa.com>. If you have questions regarding warranty policy or coverage, please contact TOTO U.S.A. Inc., Customer Service Department, 1155 Southern Road, Morrow, GA 30260 (888) 295-8134 or (678) 466-1300 when calling from outside of U.S.A.

## TABLE OF CONTENTS

Thanks for Choosing TOTO! .....	2
Included Parts .....	2
Common Tools Needed .....	2
Before Installation .....	2
Rough-in Dimensions .....	3
Installation Procedure .....	4
Urinal Strainer Installation .....	5
Warranty.....	6

## THANKS FOR CHOOSING TOTO!

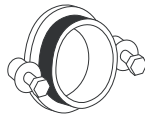
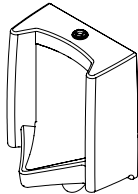
The mission of TOTO is to provide the world with healthy, hygienic and more comfortable lifestyles. We design every product with the balance of form and function as a guiding principle. Congratulations on your choice.

## INCLUDED PARTS

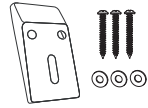
Check to make sure you have all these parts from the package:



Urinal w/ Spud



Outlet Flange,  
4-1/4" (108mm) &  
6" (152mm) pitch



2 Hangers required for  
UT445U(V), UT447E(V)

## COMMON TOOLS NEEDED

- |   |  |
|---|--|
| <ul style="list-style-type: none"> <li>• 12" pipe wrench</li> <li>• 10" adjustable wrench</li> <li>• Carpenter's Level</li> </ul> | <ul style="list-style-type: none"> <li>• Screwdriver</li> <li>• Drill</li> <li>• Tape Measure</li> </ul> |
|---|--|

### MATERIALS REQUIRED:

(Not Included)

- |   |  |
|---|--|
| <ul style="list-style-type: none"> <li>• Flush Valve</li> </ul> | <ul style="list-style-type: none"> <li>• Stop Valve</li> </ul> |
|---|--|

## BEFORE INSTALLATION

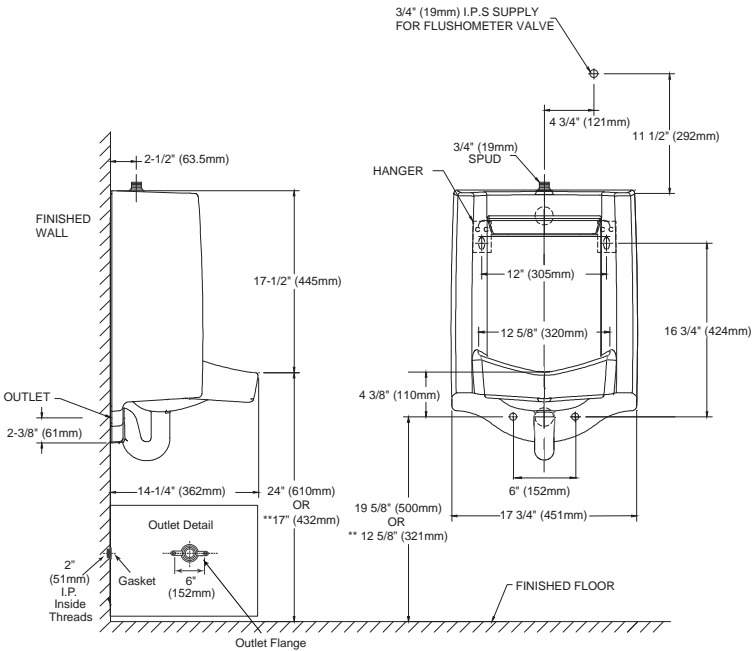
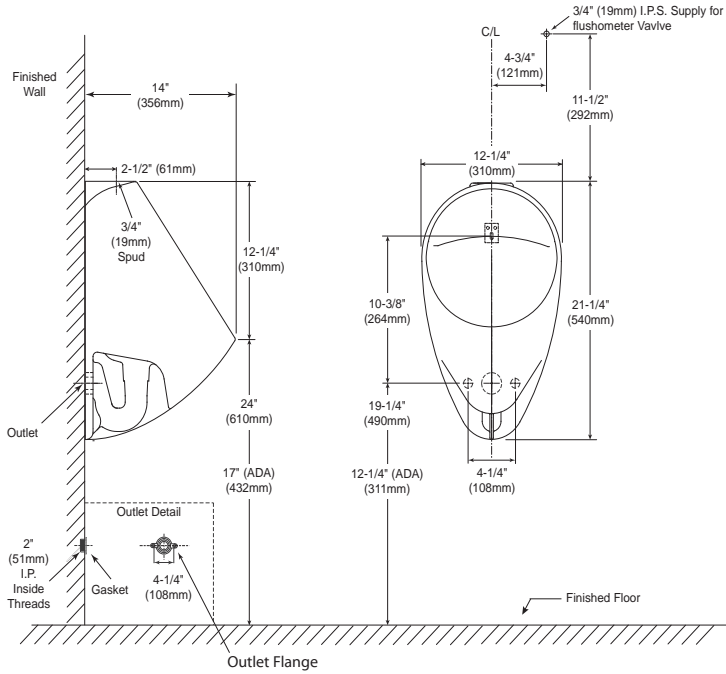
If you are installing this product in a new construction or remodel, please make sure you are following all local plumbing and building codes. Carefully unpack and examine your new fixture for damage. To help ensure that the installation process will proceed smoothly and correctly, please read these instruction carefully before you begin.



Ignoring these symbols may cause personal injury and/or property damage.

# ROUGH-IN DIMENSIONS

ENGLISH



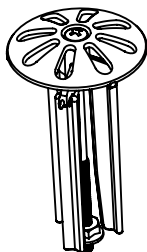
## INSTALLATION PROCEDURE

- Turn off water supply and if necessary remove the old urinal.
- Install or relocate the water supply pipe and drain pipe to the specified rough-in dimensions shown above.
- Install adequate support to mount the urinal.
  
- Install the wall hanger per rough-in specification.
- Apply sealant tape to the drain pipe threads and install the outlet flange to the drain pipe, making sure the mounting holes are level.
- Install the gasket on the outlet flange.
- Carefully position the urinal on the wall hanger.
- Secure the urinal to outlet flange with screws and washers.
  
- Install the flush valve per manufacturer's instructions.
- Turn-on the water supply and flush urinal several times.
- Carefully check all connections for leaks.

## URINAL STRAINER INSTALLATION

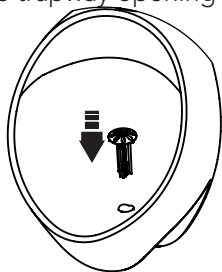
### VISUAL INSPECTION

Remove part from plastic bag. Make sure all components are assembled as shown.

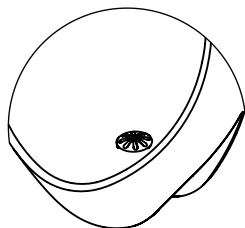


### INSTALLATION INSTRUCTIONS

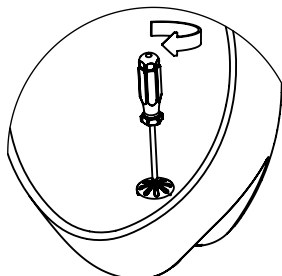
1. Align the strainer to the trapway opening as shown.



2. Press the unit until the grate contacts the china.



3. With a screwdriver, turn the screw clockwise until the plastic legs grip the trapway walls. Continue five (5) full turns to lock unit. Excessive torque could damage the part!



## WARRANTY

1. TOTO warrants its vitreous china products ("Product") to be free from defects in materials and workmanship during normal use when properly installed and serviced, for a period of one (1) year from date of purchase. This limited warranty is extended only to the ORIGINAL PURCHASER of the Product and is not transferable to any third party, including but not limited to any subsequent purchaser or owner of the Product. This warranty applies only to TOTO Product purchased and installed in North, Central and South America.
2. TOTO's obligations under this warranty are limited to repair, replacement or other appropriate adjustment, at TOTO's option, of the Product or parts found to be defective in normal use, provided that such Product was properly installed, used and serviced in accordance with instructions. TOTO reserves the right to make such inspections as may be necessary in order to determine the cause of the defect. TOTO will not charge for labor or parts in connection with warranty repairs or replacements. TOTO is not responsible for the cost of removal, return and/or reinstallation of the Product.
3. This warranty does not apply to the following items:
  - a. Damage or loss sustained in a natural calamity such as fire, earthquake, flood, thunder, electrical storm, etc.
  - b. Damage or loss resulting from any accident, unreasonable use, misuse, abuse, negligence, or improper care, cleaning, or maintenance of the Product.
  - c. Damage or loss resulting from sediments or foreign matter contained in a water system.
  - d. Damage or loss resulting from improper installation or from installation of the Product in a harsh and/or hazardous environment, or improper removal, repair or modification of the Product. (NOTE: Product model codes allow a maximum of 80 PSI. Check local codes or standards for requirements).
  - e. Damage or loss resulting from electrical surges or lightning strikes or other acts which are not the fault of TOTO or which the Product is not specified to tolerate.
  - f. Damage or loss resulting from normal and customary wear and tear, such as gloss reduction, scratching or fading over time due to use, cleaning practices or water or atmospheric conditions.
  - g. Tank flushing mechanisms of plastic or rubber moving parts.
  - h. Toilet seats of plastic, wood or metal.
4. In order for this limited warranty to be valid, proof of purchase is required. TOTO encourages warranty registration upon purchase to create a record of Product ownership at <http://www.totousa.com>. Product registration is completely voluntary and failure to register will not diminish your limited warranty rights.
5. THIS WARRANTY GIVES YOU SPECIFIC LEGAL RIGHTS. YOU MAY HAVE OTHER RIGHTS WHICH VARY FROM STATE TO STATE, PROVINCE TO PROVINCE OR COUNTRY TO COUNTRY.
6. To obtain warranty repair service under this warranty, you must take the Product or deliver it prepaid to a TOTO service facility together with proof of purchase (original sales receipt) and a letter stating the problem, or contact a TOTO distributor or products service contractor, or write directly to TOTO U.S.A., INC., 1155 Southern Road, Morrow, GA 30260 (678) 466-1300 or (888) 295-8134, if outside the U.S.A. If, because of the size of the Product or nature of the defect, the Product cannot be returned to TOTO, receipt by TOTO of written notice of the defect together with proof of purchase (original sales receipt) shall constitute delivery. In such case, TOTO may choose to repair the Product at the purchaser's location or pay to transport the Product to a service facility.

**WARNING!** TOTO shall not be responsible or liable for any failure of, or damage to, this Product caused by either chloramines in the treatment of public water supply or cleaners containing chlorine (calcium hypochlorite). NOTE: The use of a high concentrate chlorine or chlorine related products can seriously damage the fittings. This damage can cause leakage and serious property damage.

THIS WRITTEN WARRANTY IS THE ONLY WARRANTY MADE BY TOTO. REPAIR, REPLACEMENT OR OTHER APPROPRIATE ADJUSTMENT AS PROVIDED UNDER THIS WARRANTY SHALL BE THE EXCLUSIVE REMEDY AVAILABLE TO THE ORIGINAL PURCHASER. TOTO SHALL NOT BE RESPONSIBLE FOR LOSS OF THE PRODUCT OR FOR OTHER INCIDENTAL, SPECIAL OR CONSEQUENTIAL DAMAGES OR EXPENSES INCURRED BY THE ORIGINAL PURCHASER, OR FOR LABOR OR OTHER COSTS DUE TO INSTALLATION OR REMOVAL, OR COSTS OF REPAIRS BY OTHERS, OR FOR ANY OTHER EXPENSE NOT SPECIFICALLY STATED ABOVE. IN NO EVENT WILL TOTO'S RESPONSIBILITY EXCEED THE PURCHASE PRICE OF THE PRODUCT. EXCEPT TO THE EXTENT PROHIBITED BY APPLICABLE LAW, ANY IMPLIED WARRANTIES, INCLUDING THAT OF MERCHANTABILITY OR FITNESS FOR USE OR FOR A PARTICULAR PURPOSE, ARE EXPRESSLY DISCLAIMED. SOME STATES DO NOT ALLOW LIMITATIONS ON HOW LONG AN IMPLIED WARRANTY LASTS, OR THE EXCLUSION OR LIMITATION OF INCIDENTAL OR CONSEQUENTIAL DAMAGES, SO THE ABOVE LIMITATION AND EXCLUSION MAY NOT APPLY TO YOU.