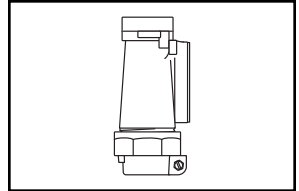
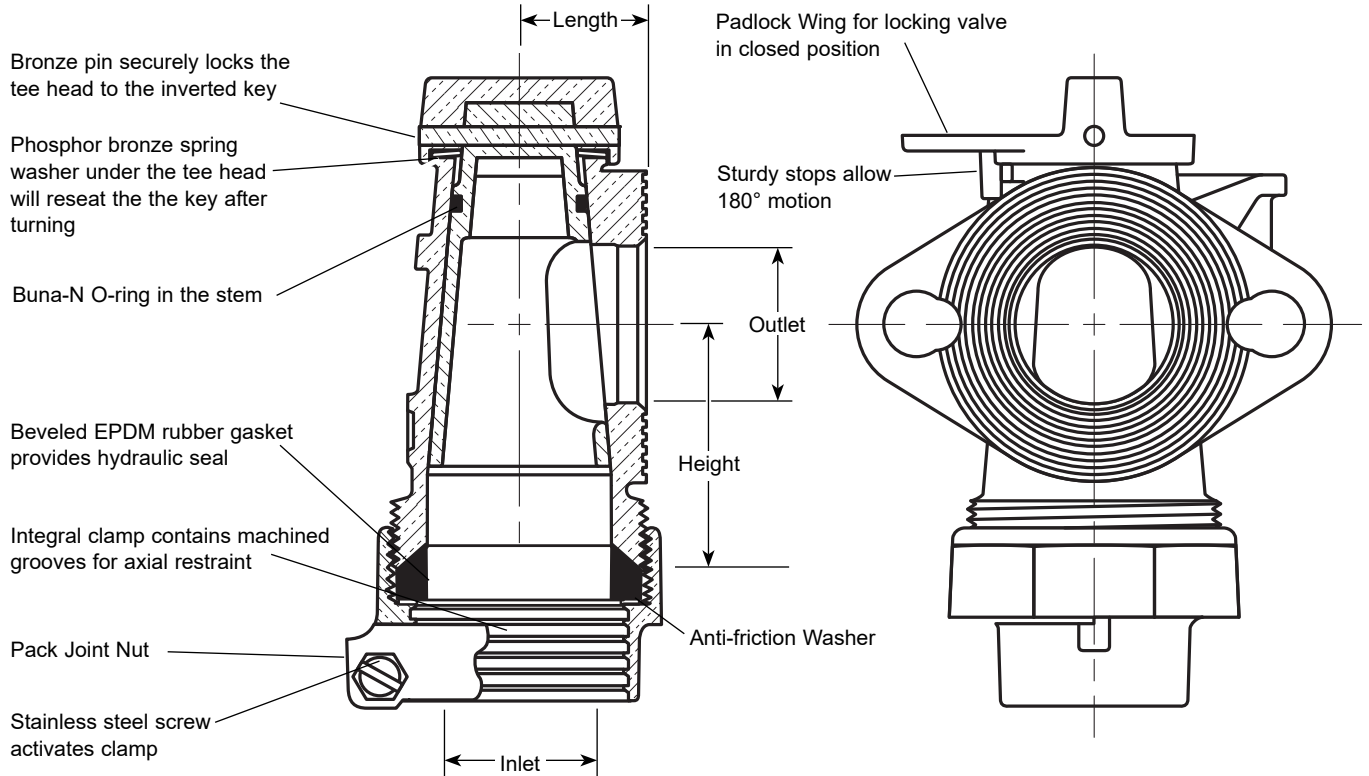


SUBMITTAL INFORMATION

Angle Key Flange Meter Valves - (FV63-xxxW-NL style)



PACK JOINT FOR POLYETHYLENE PIPE (SIDR7 PEP) INLET BY METER FLANGE OUTLET



VALVE SIZE	SERVICE LINE SIZE INLET	METER SIZE OUTLET	LENGTH	HEIGHT	APPROX. Wt. LBS	PART NUMBER	✓ SUBMITTED ITEM(S)
1-1/2"	1-1/2"	1-1/2"	1-1/4"	3"	7.1	FV63-666W-IDR7-NL	
2"	2"	1-1/2" & 2"	1-1/2"	3-1/8"	9.4	FV63-777W-IDR7-NL	

Note: Ford recommends using insert stiffeners with plastic pipe or tubing.

FEATURES

- All brass that comes in contact with potable water conforms to AWWA Standard C800 (ASTM B584, UNS C89833)
- The product has the letters "NL" cast into the main body for lead-free identification
- Certified to NSF/ANSI Standard 61 and NSF/ANSI Standard 372 where applicable
- Brass components that do not come in contact with potable water conform to AWWA Standard C800 (ASTM B62 and ASTM B584, UNS C83600, 85-5-5-5)
- Padlock wing for locking valve in closed position
- Flat drop-in gaskets included
- Slotted holes are standard on 2" Flanged Angle Meter Valves, allowing 1-1/2" flange meter connection
- Meets 80 PSI working pressure requirements of AWWA Standard C800

Optional Meter Support Brackets. Add "-MSB" to end of part number

The Ford Meter Box Company considers the information in this submittal form to be correct at the time of publication. Item and option availability, including specifications, are subject to change without notice. Please verify that your product information is current.



The Ford Meter Box Company, Inc.

P.O. Box 443, Wabash, Indiana U.S.A. 46992-0443

Phone: 260-563-3171 / Fax: 800-826-3487

Overseas Fax: 260-563-0167

www.fordmeterbox.com

10/12/16

Submitted By: