

DEEP DISPOSER FLANGE & STOPPER - 3-1/2"

SKU: 919214

Code: SH163, SH393687, SH393686



FEATURES

Material: Brass

Fits Drain Hole Size: 3-1/2"

ASME A112.18.2/CSA B125.2, Massachusetts Accepted, LISTED ID: SH163**



ADDITIONAL FEATURES

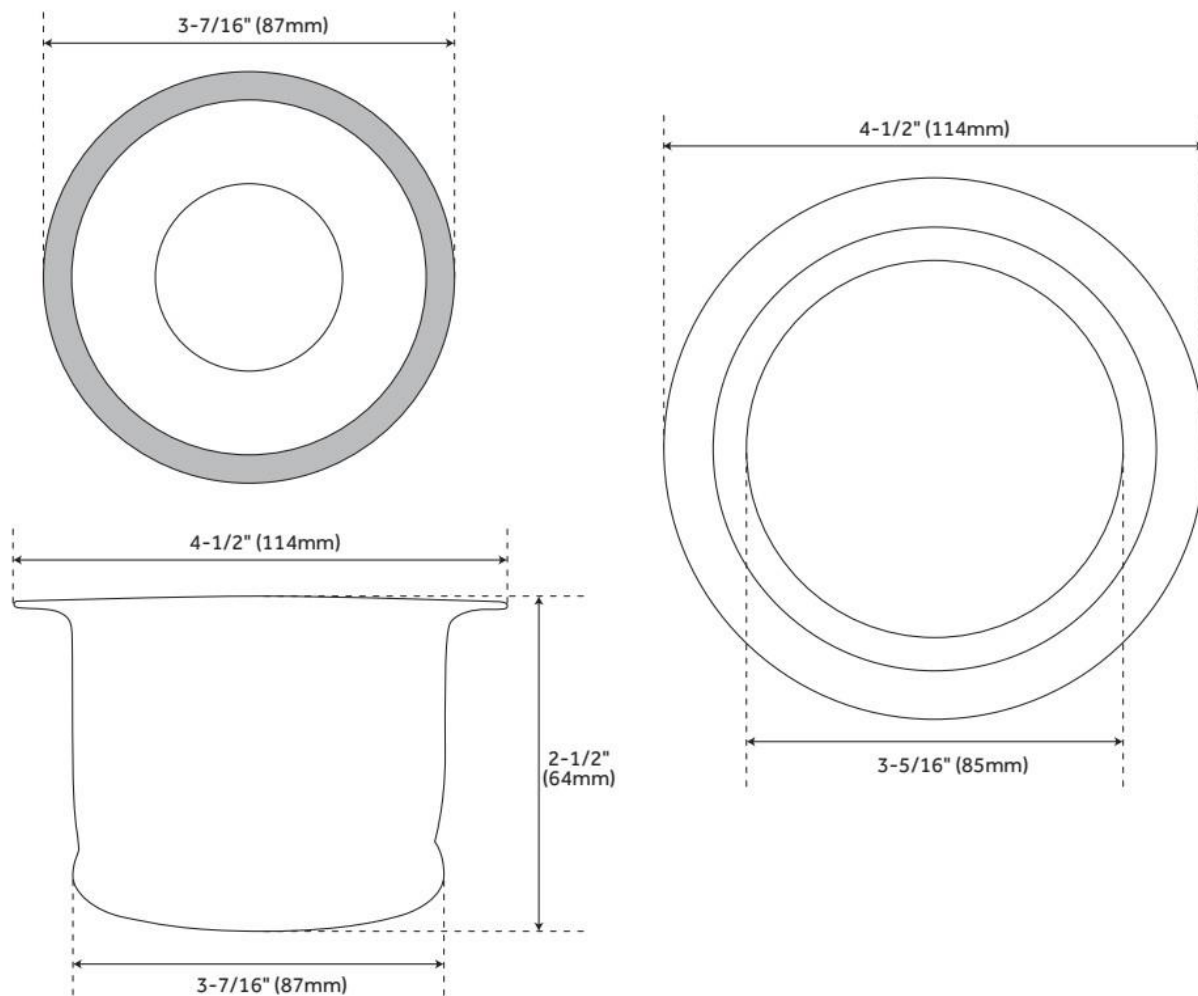
- Compatible with all kitchen and bar sinks.
- Includes stopper.
- Fits most InSinkErator disposals and continuous feed three-bolt disposers with 3-3/8" I.D.
- Designed to accommodate sinks with extra-thick design.
- Disposer flange measures 2-3/8" deep overall.
- Disposer flange does not have threads.

REVISED 7/3/2024

DEEP DISPOSER FLANGE & STOPPER - 3-1/2"

SKU: 919214

Code: SH163, SH393687, SH393686



REVISED 7/3/2024