

FIXED HORIZONTAL BLADE RETURN FILTER GRILLE

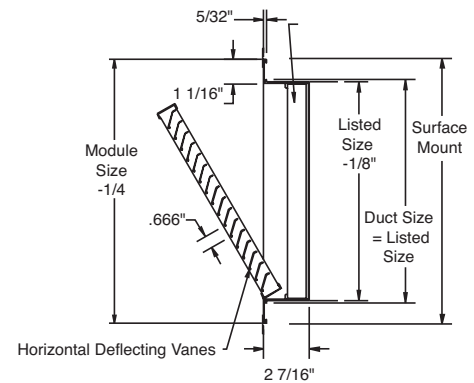
Product Features

- Extruded aluminum
- .666" fin spacing
- Horizontal fins are permanently fixed at 45 degrees angle
- Accepts standard 1" or 2" filters (not included)
- Hinged face with 1/4 turn latches for quick filter changes
- Standard White finish



Model Numbers

PSAH45FTB



Product Specifications

NO.	SIZE
PSAH45FTB2020	20" x 20"
PSAH45FTB2424	24" x 24"
PSAH45FTB2448	24" x 48"

Warranty

Valve boxes conform to ASTM A-48, Grade 30B; Asphaltic varnish conforms to AWWA C-104.