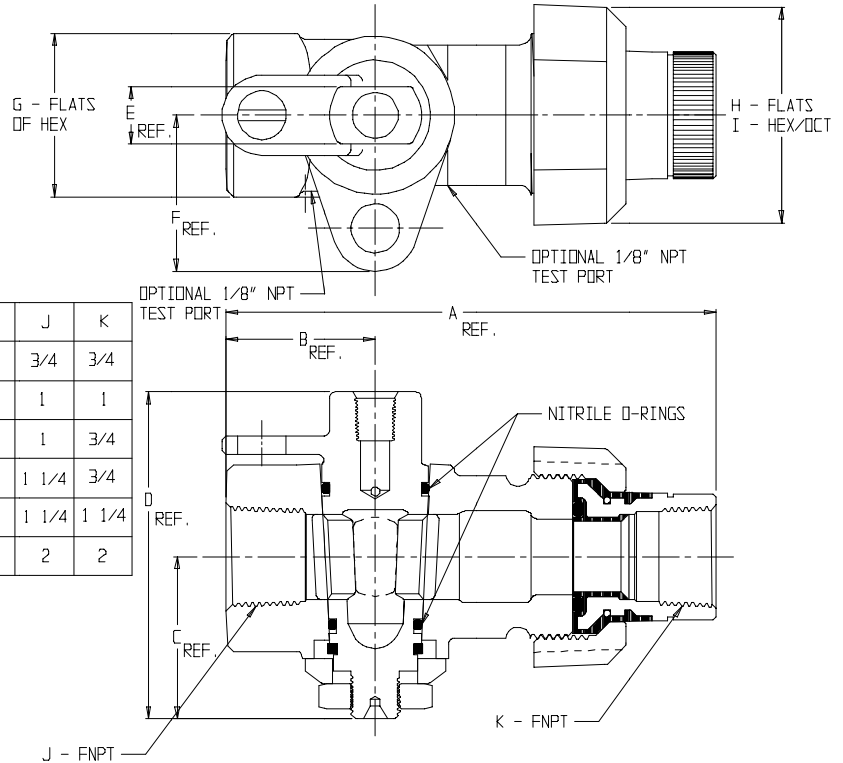


# SUBMITTAL DATA SHEET

## Iron Body Gas Plug Valves with Lockwing –6276 Series

FNPT x FNPT Union



SIZE	A	B	C	D	E	F	G	H	I	J	K
3/4	5.03	1.54	1.66	3.34	.59	1.60	1.68	1.96	HEX	3/4	3/4
1	5.74	1.68	1.86	3.68	.59	1.65	1.94	2.30	OCT	1	1
1 X 3/4	6.03	2.50	1.66	3.34	.59	1.59	2.12	1.96	HEX	1	3/4
1 1/4 X 3/4	6.02	2.49	1.66	3.34	.59	1.59	2.12	1.96	HEX	1 1/4	3/4
1 1/4	6.51	2.18	2.37	4.68	.62	1.94	2.12	2.57	OCT	1 1/4	1 1/4
2	7.86	2.81	2.97	5.82	.59	2.52	3.00	3.86	OCT	2	2

### SUBMITTAL INFORMATION

- Manufactured in compliance with ANSI/ASME B16.33 (latest revision)
- Brass castings conform to ASTM B584, UNS C83600 or C84400 (latest revision)
- Iron castings conform to ASTM A126 Class B Iron, with optional zinc coating per ASTM B633 with clear chromate coating and silicate sealer (latest revisions)
- Rated for 175 PSIG natural, manufactured, or LP gas pressure
- Valve can be re-lubricated while in service and under pressure
- Plug rotates 360°
- Tamper-resistant design prevents disassembly with normal household tools
- Port opening sized to accommodate the best known stop changers
- Lockwing design accommodates standard barrel locks



**A.Y. McDonald Mfg. Co.**  
P.O. Box 508  
Dubuque, IA 52004-508

**Toll Free: 1-800-292-2737**  
**Fax: 1-800-832-9296**  
**Hours: 7:00 a.m. – 5:00 p.m., CST**

sales@aymcdonald.com  
[www.aymcdonald.com](http://www.aymcdonald.com)

A.Y. McDonald considers the information on this assembly drawing correct when published. Item and option availability, including specifications, are subject to change without notice.

**Submitted by:**