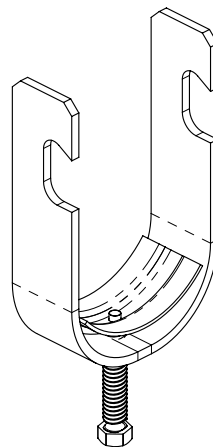


CSBBRP

Branch Line Restraint Device



Installation using a drill or impact drive should not exceed a drive speed of 1500 rpm. Exceeding 1500 rpm drive speed may cause stripping of the thread.

NA Part Number	EU Article Number	Service Pipe Size NB/DN		Rod Size	UL® Load Rating	FM® Load Rating		
		Inch	mm		Lightwall/ Schedule 10/40	Lightwall/Schedule 10/40		
						45° - 59°	60° - 74°	75° - 90°
CSBBRP100XX	404477	1"	25	3/8", [M10]	475 lbs [2113N]	170 lbs [755N]	210 lbs [935N]	230 lbs [1025N]
				1/2", [M12]	475 lbs [2113N]	190 lbs [845N]	240 lbs [935N]	270 lbs [1200N]
CSBBRP125XX	404478	1-1/4"	32	3/8", [M10]	300/475 lbs [1334/2113N]	170 lbs [755N]	210 lbs [935N]	230 lbs [1025N]
				1/2", [M12]	300/475 lbs [1334/2113N]	190 lbs [845N]	240 lbs [935N]	270 lbs [1200N]
CSBBRP150XX	404479	1-1/2"	40	3/8", [M10]	300/475 lbs [1334/2113N]	190 lbs [845N]	240 lbs [935N]	270 lbs [1200N]
				1/2", [M12]	300/475 lbs [1334/2113N]	150 lbs [665N]	190 lbs [845N]	210 lbs [935N]
CSBBRP200XX	404480	2"	50	3/8", [M10]	300/475 lbs [1334/2113N]	190 lbs [845N]	240 lbs [935N]	270 lbs [1200N]
				1/2", [M12]	300/475 lbs [1334/2113N]	150 lbs [665N]	190 lbs [845N]	210 lbs [935N]

(XX) = Finish Specifier

UL Listed with lightwall (Commonly referred to as Schedule 7) Dyna-Flow®

FM Load rating for Schedule 40 may be applied to GB/T 3091, EN 10255 (Heavy)(DIN 2441) and JIS G3454 pipe.

FM Load rating for Schedule 10 may be applied to GB/T 3091, EN 10255 (Medium or Heavy) and FM Approved Thinwall Pipe and JIS G3452 pipe.

FM Load rating for lightwall may also be applied to GB/T 8163 and EN 10220 (DIN 2448).

Rod Size	Root Dia.	Least Radius of Gyration r	Maximum Unbraced Length (L)			
			L/r = 100	L/r = 200	L/r = 300	L/r = 400*
3/8"	0.300"	0.075"	7"	14"	22"	30"
M10	7.94mm	1.99mm	198mm	397mm	595mm	794mm
1/2"	0.404"	0.101"	10"	20"	30"	40"
M12	9.60mm	2.40mm	240mm	480mm	720mm	960mm

Reference: NFPA®13, (2007)

*Reference: NFPA 13, (2010)

Restraint devices are intended to be installed in accordance with NFPA®-13 and the manufacturer's installation instructions.

WARNING:

1. ERICO products shall be installed and used only as indicated in ERICO product instruction sheets and training materials. Instruction sheets are available at www.ericointernational.com and from your ERICO customer service representative.
2. ERICO products must never be used for a purpose other than the purpose for which they were designed or in a manner that exceeds specified load ratings.
3. All instructions must be completely followed to ensure proper and safe installation and performance.
4. Improper installation, misuse, misapplication or other failure to completely follow ERICO's instructions and warnings may cause product malfunction, property damage, serious bodily injury and death.
5. Products that are manufactured using spring steel components shall be used only in a non-corrosive indoor environment.
6. All pipe supports, hangers, intermediate components and structural attachments must ONLY be used as described herein and are NEVER to be used for any other purpose.

NOTE: All load ratings are for static conditions and do not account for dynamic loading such as wind, water or seismic loads, unless otherwise noted.

The customer is responsible for:

- a. Conformance to all governing codes.
- b. The integrity of structures to which the products are attached, including their capability of safely accepting the loads imposed, as evaluated by a qualified engineer.
- c. Using appropriate industry standard hardware as noted above.

SAFETY INSTRUCTIONS:

All governing codes and regulations and those required by the job site must be observed. Always use appropriate safety equipment such as eye protection, hard hat, and gloves as appropriate to the application.

Dyna-Flow is a registered trademark of Allied Tube and Conduit Corporation.

FM is a registered certification mark of FM Approvals LLC, LTD.

NFPA is a registered trademark of National Fire Protection Association, Inc.

UL is a registered trademark of UL LLC.

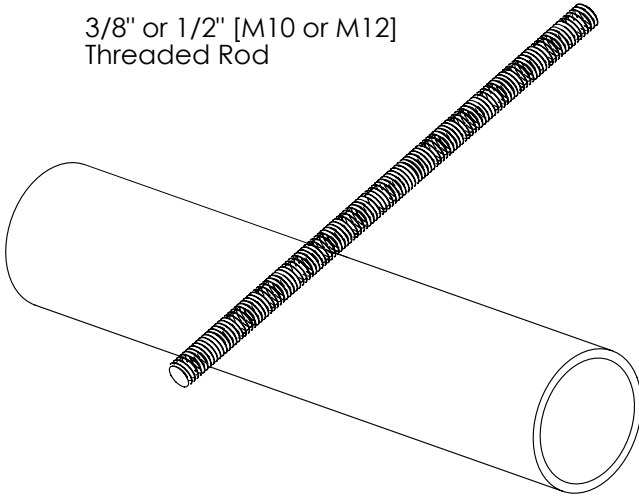
CADDY, CADWELD, CRITEC, ERICO, ERIFLEX, ERITECH, and LENTON are registered trademarks of ERICO International Corporation.



CSBBRP Branch Line Restraint Device

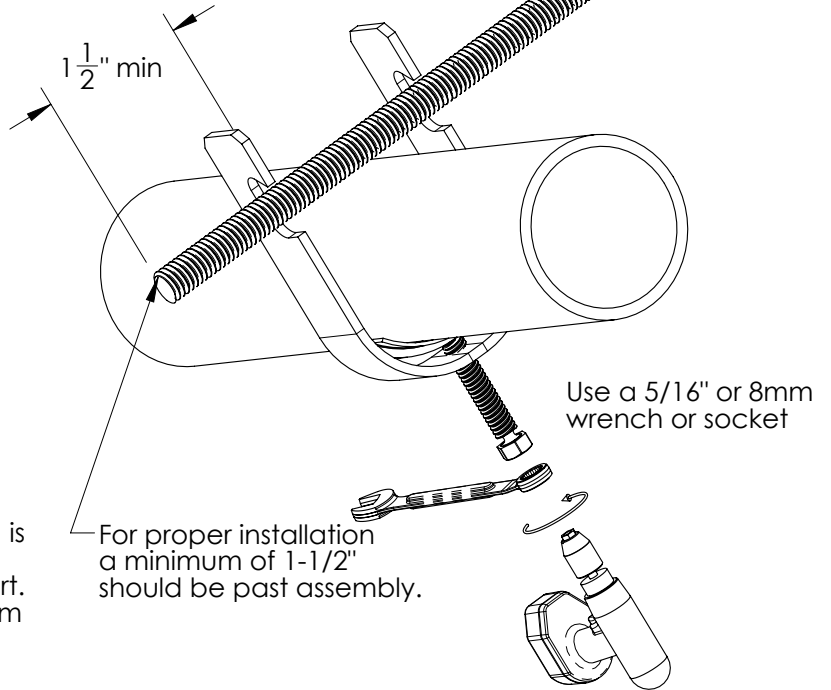
Step 1

3/8" or 1/2" [M10 or M12]
Threaded Rod



Some slight bending of threaded rod is acceptable and will not harm the performance or installation of the part. Rod can be installed on top or bottom of pipe.

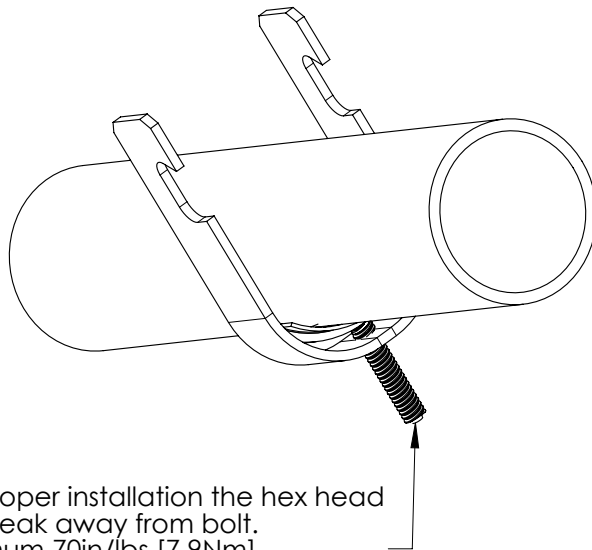
Step 2



For proper installation a minimum of 1-1/2" should be past assembly.

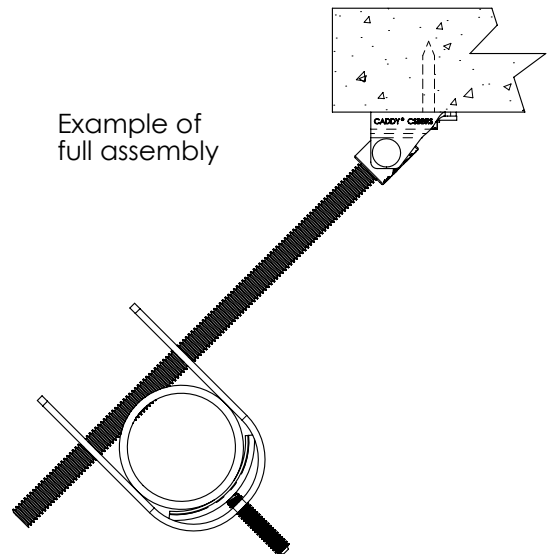
Use a 5/16" or 8mm wrench or socket

Installation using a drill or impact drive should not exceed a drive speed of 1500 rpm. Exceeding 1500 rpm drive speed may cause stripping of the thread.



For proper installation the hex head will break away from bolt. Minimum 70in/lbs [7.9Nm]

Example of full assembly



CADDY, CADWELD, CRITEC, ERICO, ERIFLEX, ERITECH, and LENTON are registered trademarks of ERICO International Corporation.

TECHNICAL SUPPORT:
www.erico.com

CFS449_F

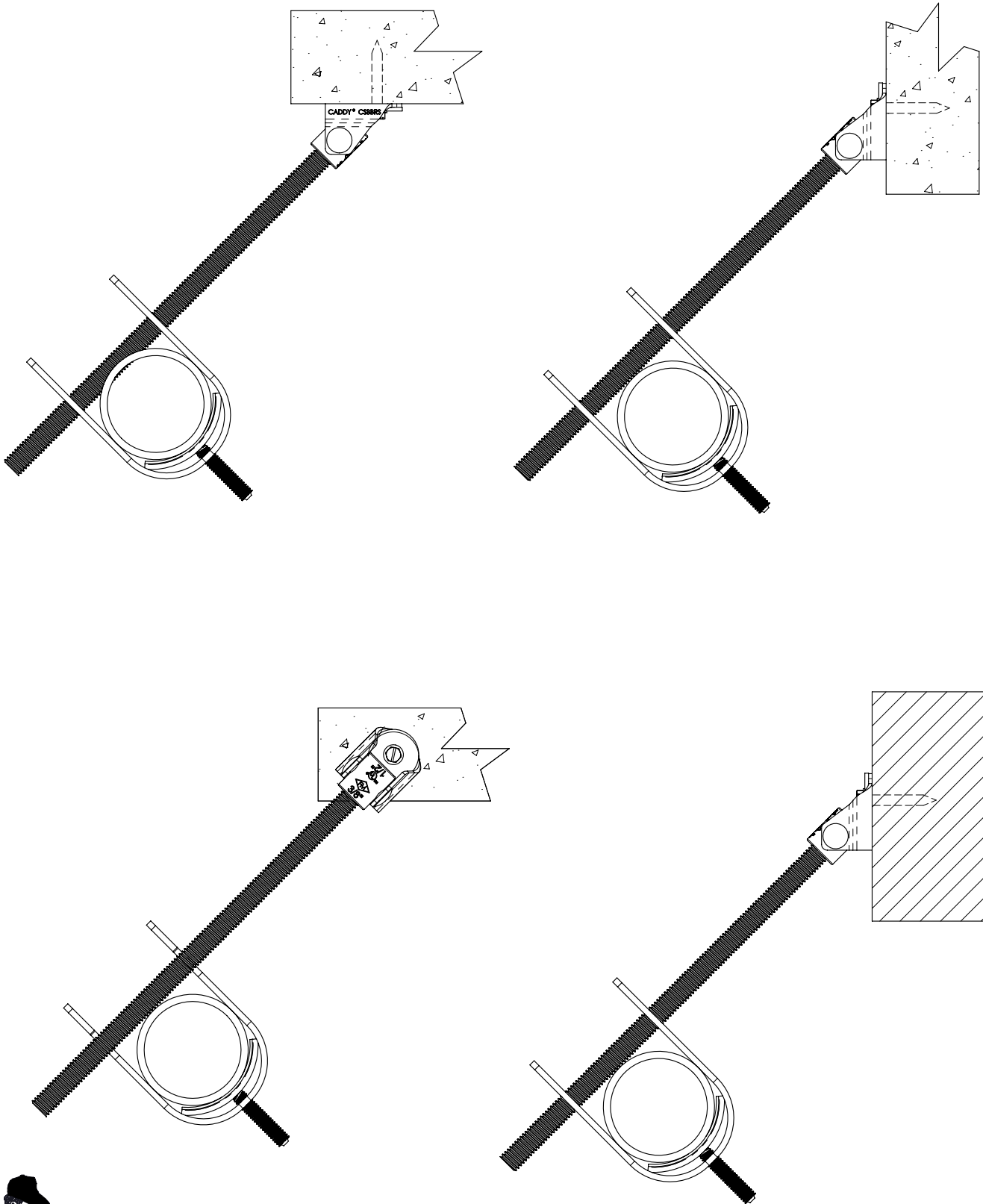
2 OF 8

© 2011, 2012, 2013 ERICO International Corporation.



CSBBRP

Branch Line Restraint Device



This product is intended to be used as a restraint and not a hanger.

CADDY, CADWELD, CRITEC, ERICO, ERIFLEX, ERITECH, and LENTON are registered trademarks of ERICO International Corporation.



TECHNICAL SUPPORT:
www.erico.com

CFS449_F

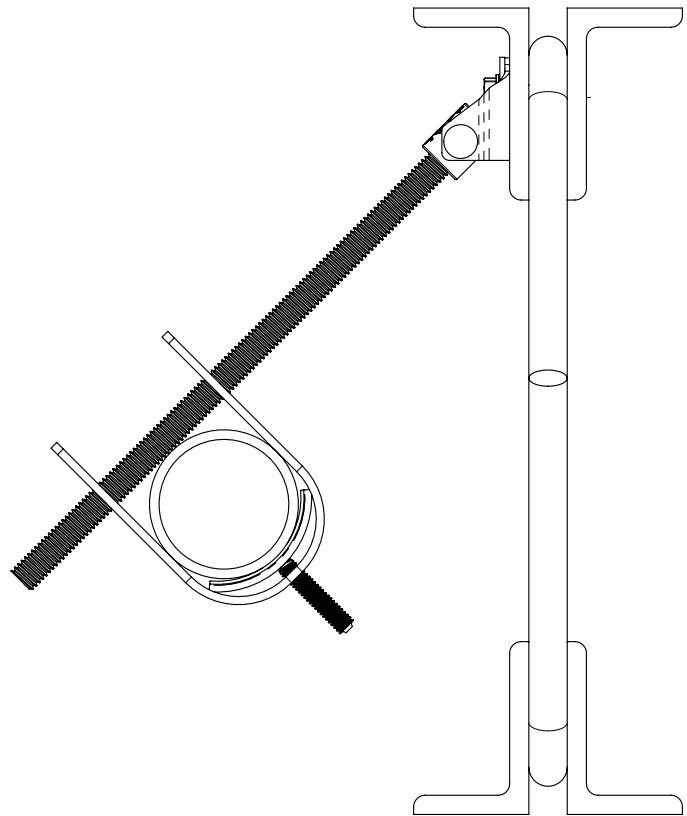
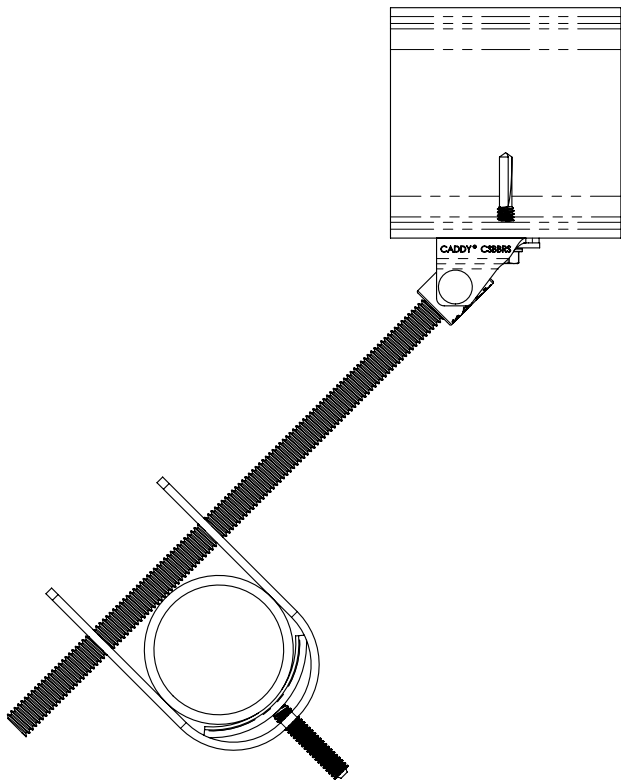
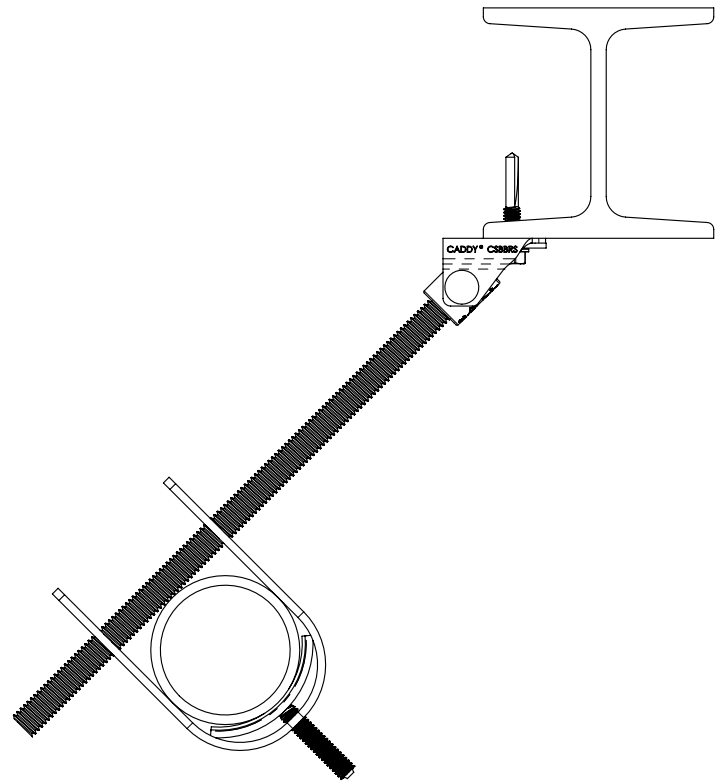
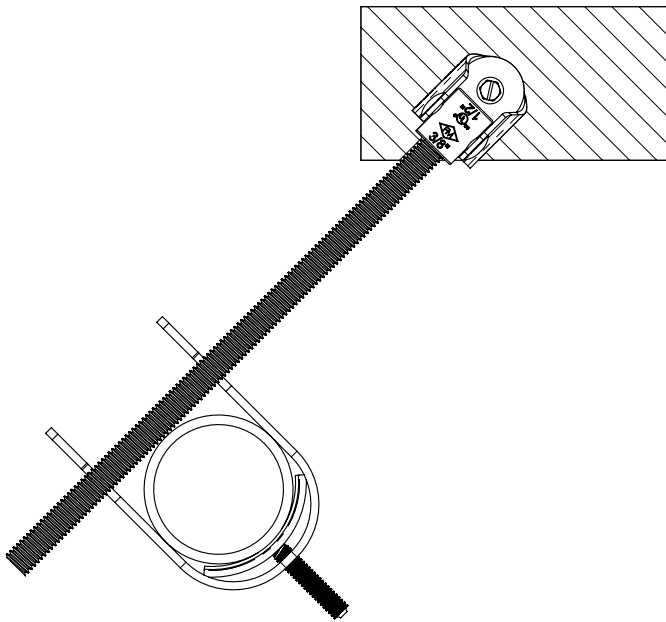
3 OF 8

© 2011, 2012, 2013 ERICO International Corporation.



CSBBRP

Branch Line Restraint Device



This product is intended to be used as a restraint and not a hanger.

CADDY, CADWELD, CRITEC, ERICO, ERIFLEX, ERITECH, and LENTON are registered trademarks of ERICO International Corporation.

TECHNICAL SUPPORT:
www.erico.com

CFS449_F

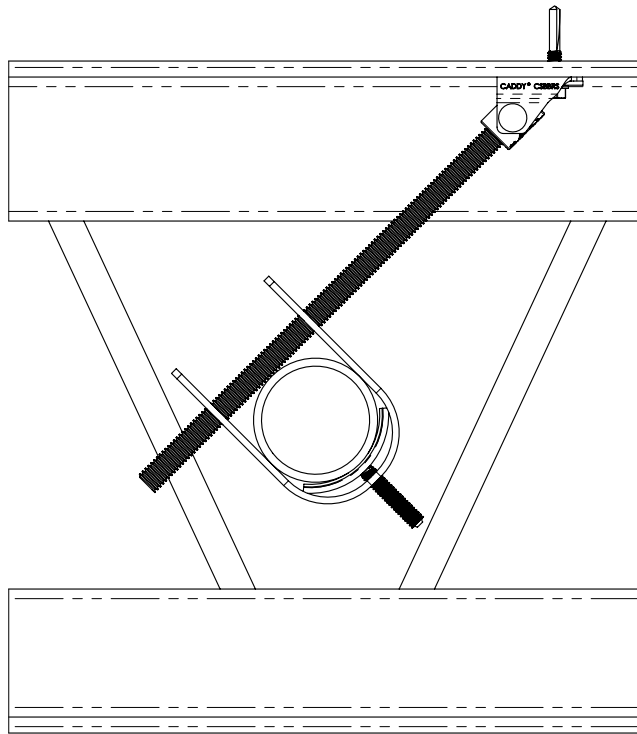
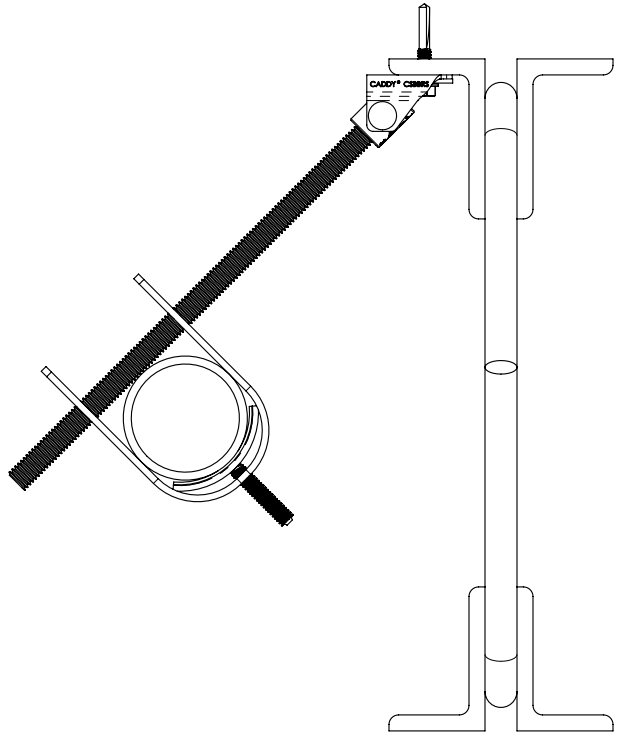
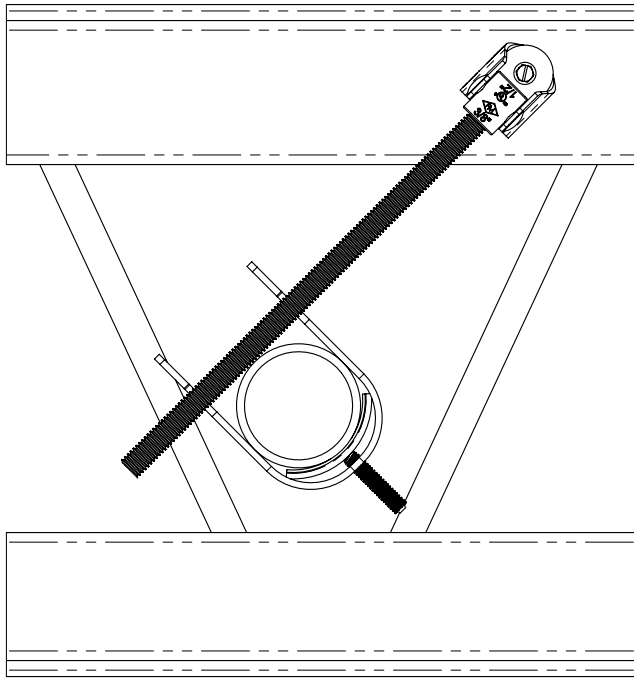
4 OF 8

© 2011, 2012, 2013 ERICO International Corporation.



CSBBRP

Branch Line Restraint Device



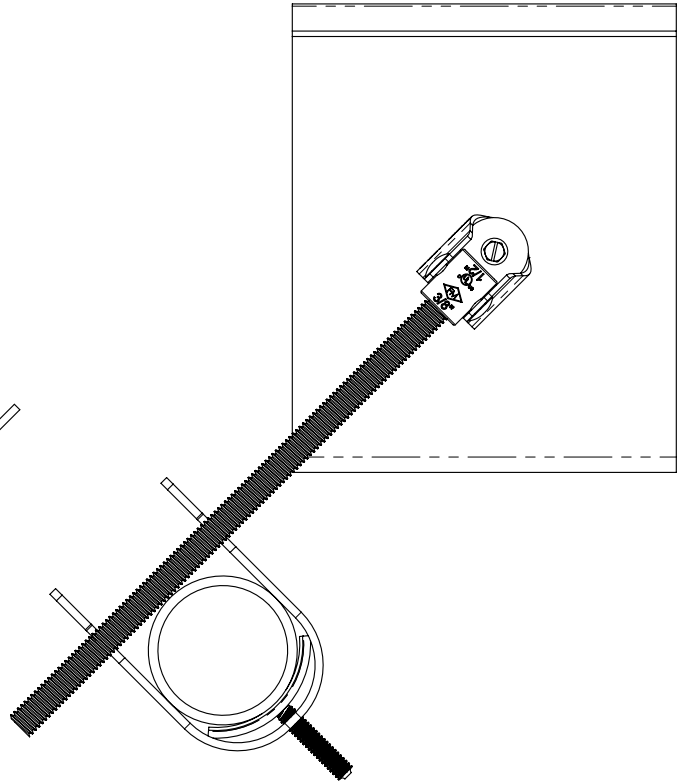
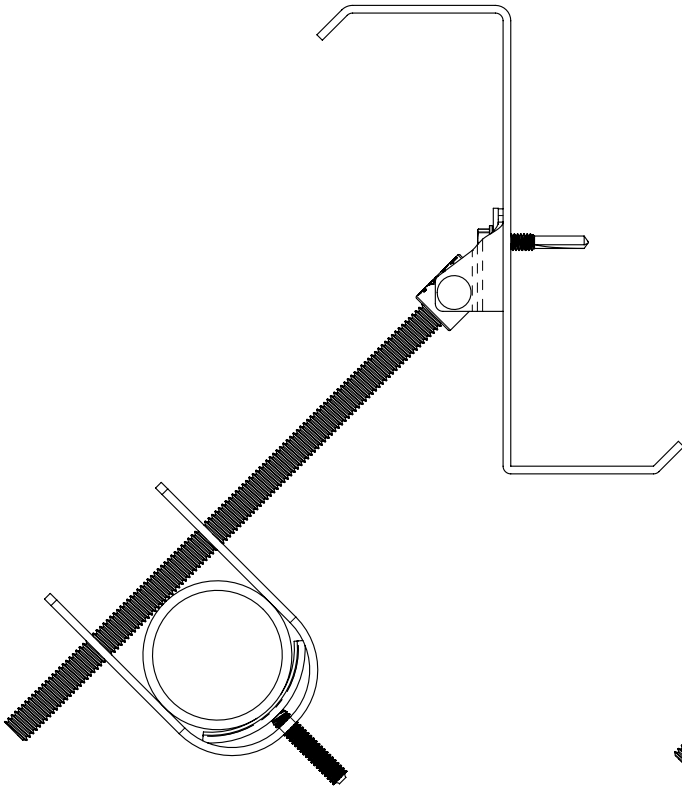
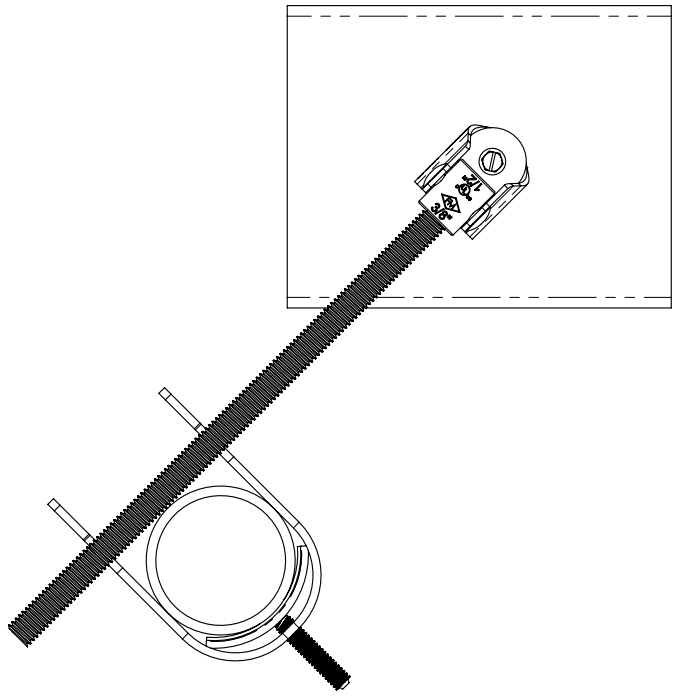
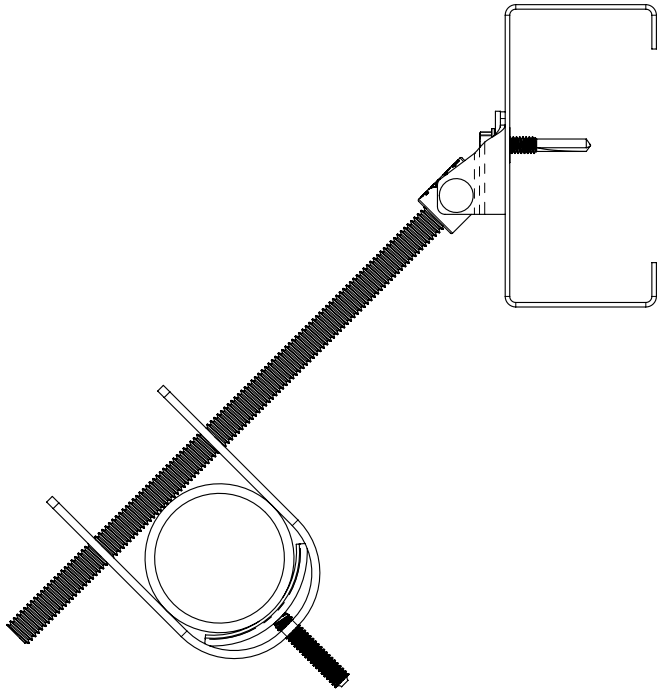
This product is intended to be used as a restraint and not a hanger.

CADDY, CADWELD, CRITEC, ERICO, ERIFLEX, ERITECH, and LENTON are registered trademarks of ERICO International Corporation.



CSBBRP

Branch Line Restraint Device



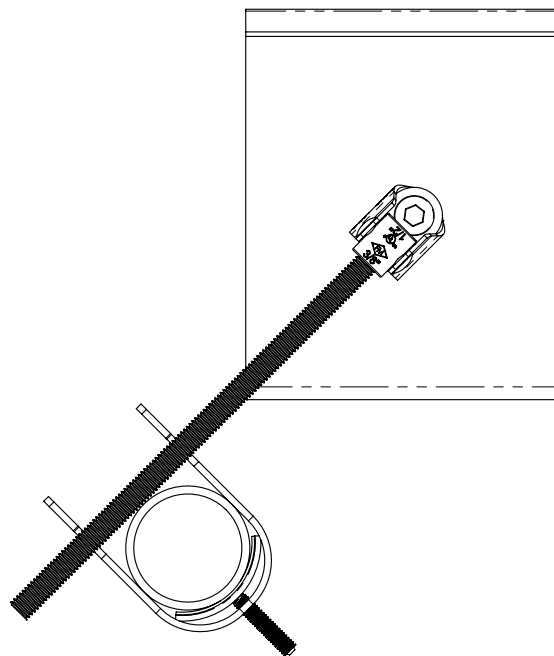
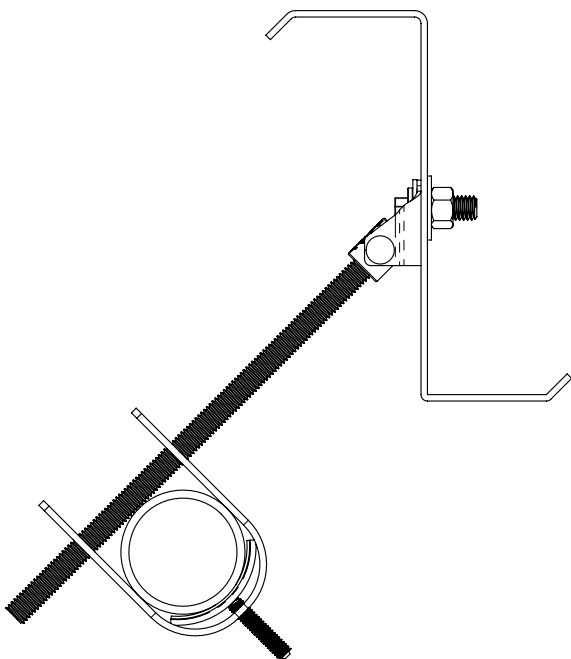
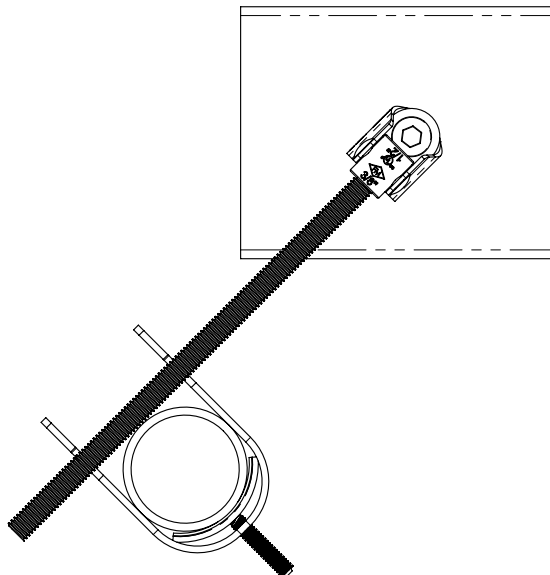
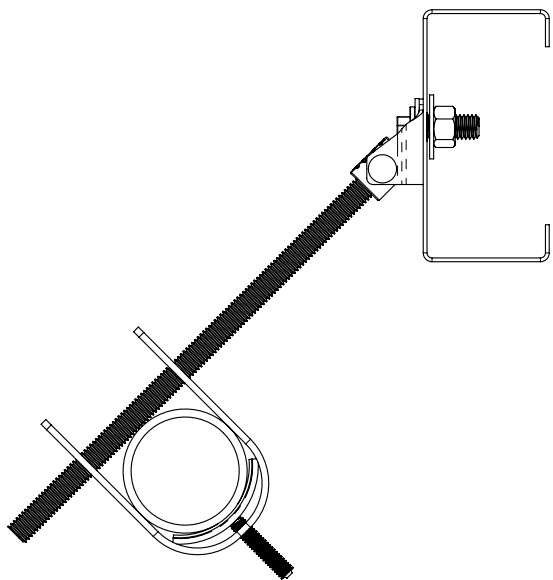
This product is intended to be used as a restraint and not a hanger.

CADDY, CADWELD, CRITEC, ERICO, ERIFLEX, ERITECH, and LENTON are registered trademarks of ERICO International Corporation.



CSBBRP

Branch Line Restraint Device



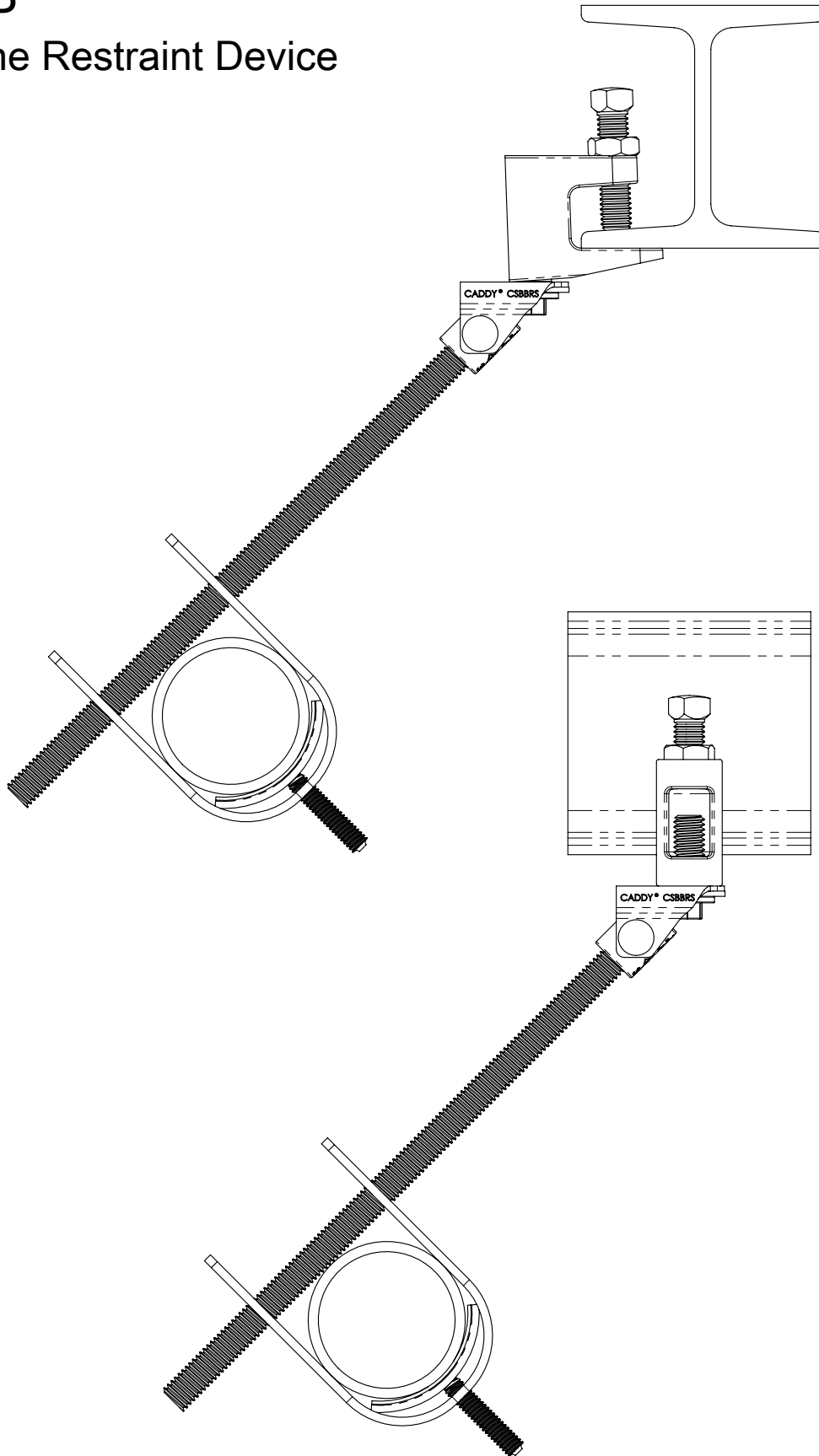
This product is intended to be used as a restraint and not a hanger.

CADDY, CADWELD, CRITEC, ERICO, ERIFLEX, ERITECH, and LENTON are registered trademarks of ERICO International Corporation.



CSBBRP

Branch Line Restraint Device



This product is intended to be used as a restraint and not a hanger.

CADDY, CADWELD, CRITEC, ERICO, ERIFLEX, ERITECH, and LENTON are registered trademarks of ERICO International Corporation.

