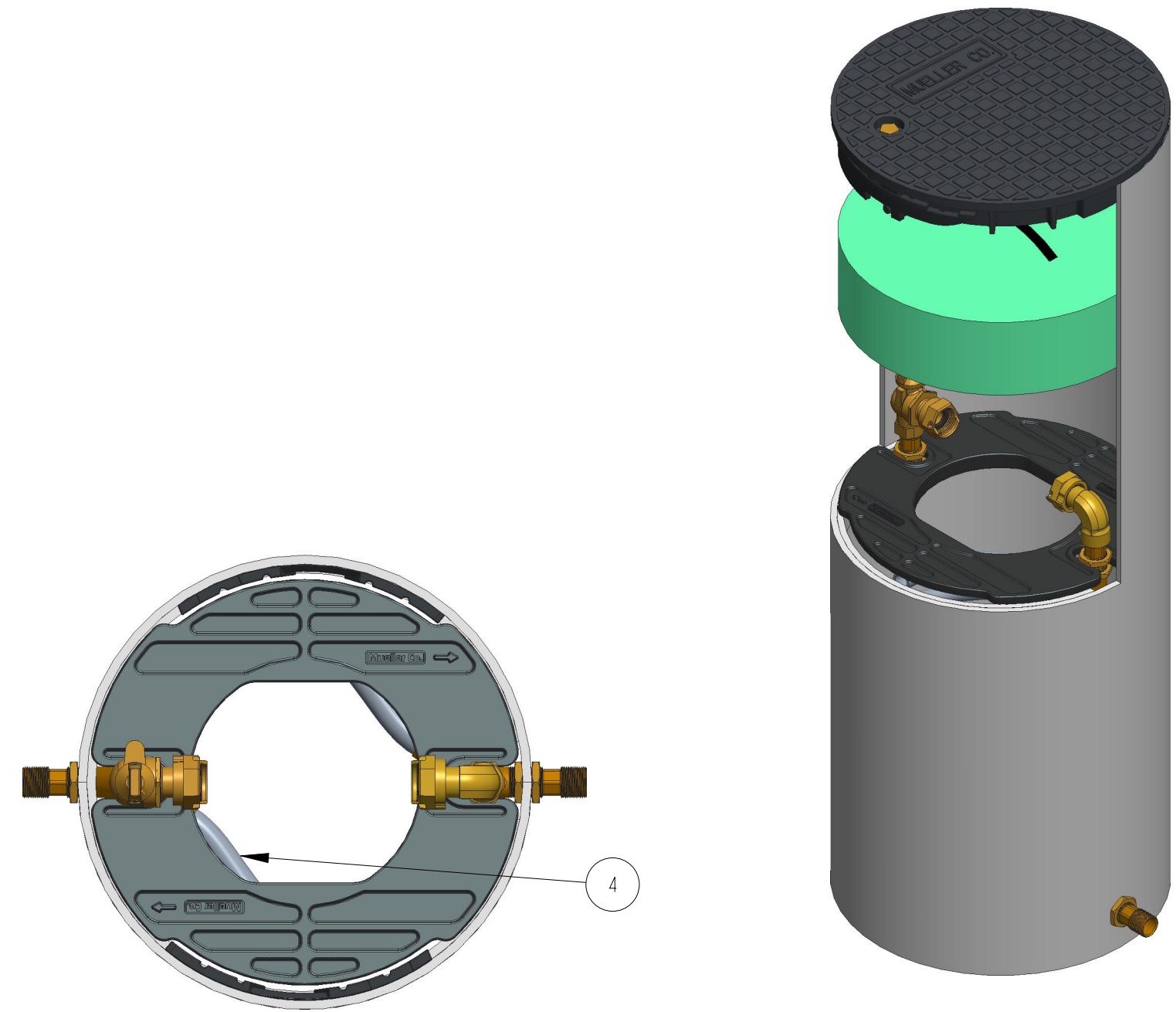
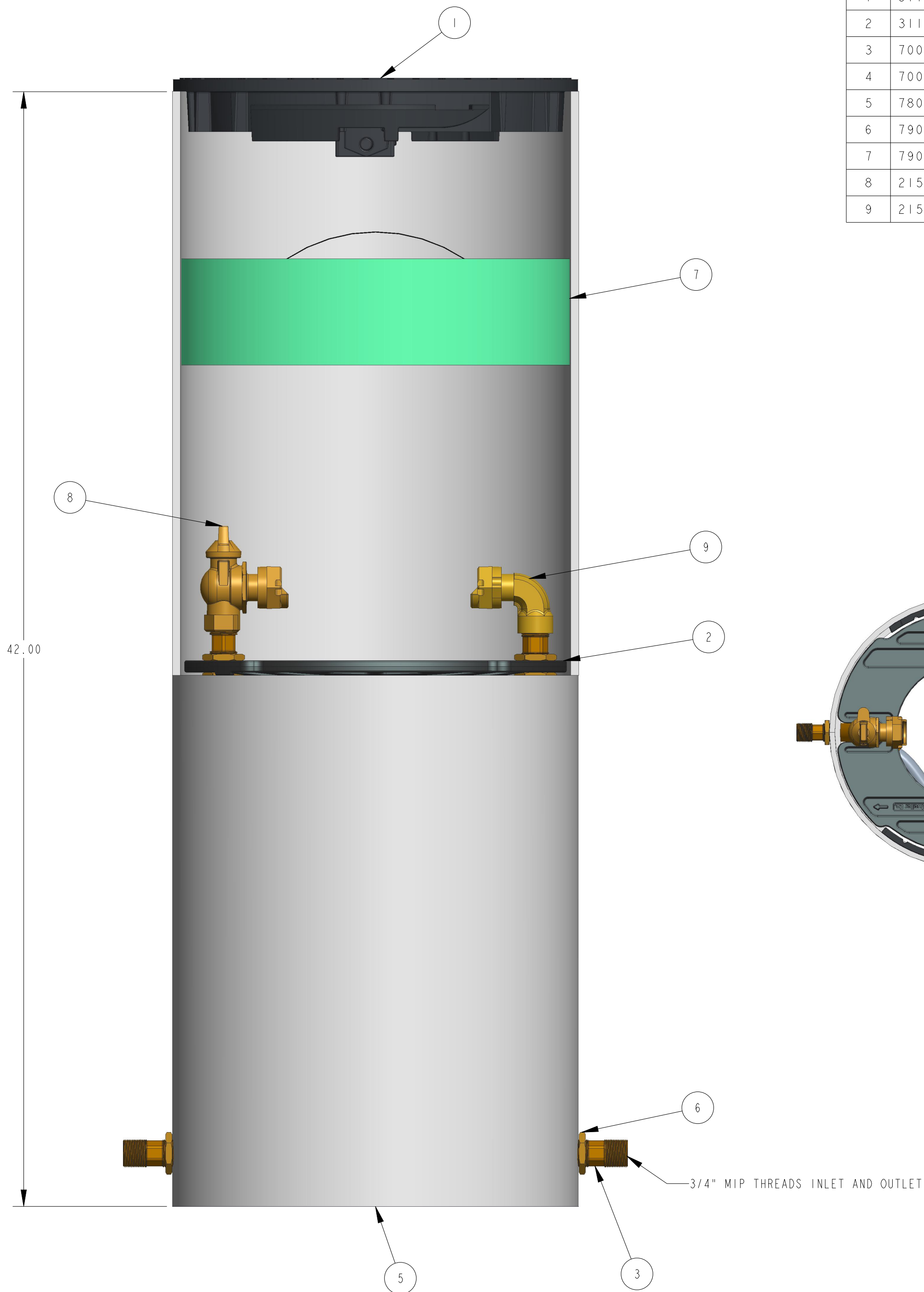


ITEM NO	PART NUMBER	QTY	DESCRIPTION
1	311954	1	15" COMPOSITE SIDE LOCKING LID (SOLD SEPARATELY)
2	311965	1	15-10 ABS PLATFORM
3	700013_REVE	4	3/4" HOSE CONNECTOR
4	700035-1542	2	COIL PART
5	780021-1542	1	SHELL SUB ASSEMBLY
6	790006	8	3/4" HEX NUT
7	790022	1	15" INSULATION PAD (SOLD SEPARATELY)
8	215B24265N	1	5/8" X 3/4" FULL PORT BALL VALVE
9	215H14210	1	5/8" X 3/4" METER COUPLING (SWIVEL NUT)



DR. BY	SLV	4/9/20	UNLESS OTHERWISE NOTED		THIRD ANGLE PROJECTION		C.B. NO.
CHKR			BREAK CAST CORNER(S)---				
ENGR			BREAK MACH CORNER(S)---		PURCH.	FINISH	PATT. NO.
MGR			TOLERANCES		REF. NO.	SCALE	
MFG			UNLESS OTHERWISE NOTED				
TOOL			LINEAR	ANGULAR			
FDRY			±	±	STR. NO.		
MAT'L:							
Mueller Co.			DESCR: 5/8" X 3/4" COIL SINGLE METER PIT 15" DIA. X 42" DEPTH LOW LEAD BRASS		NUMBER 203CS1542FABS		