

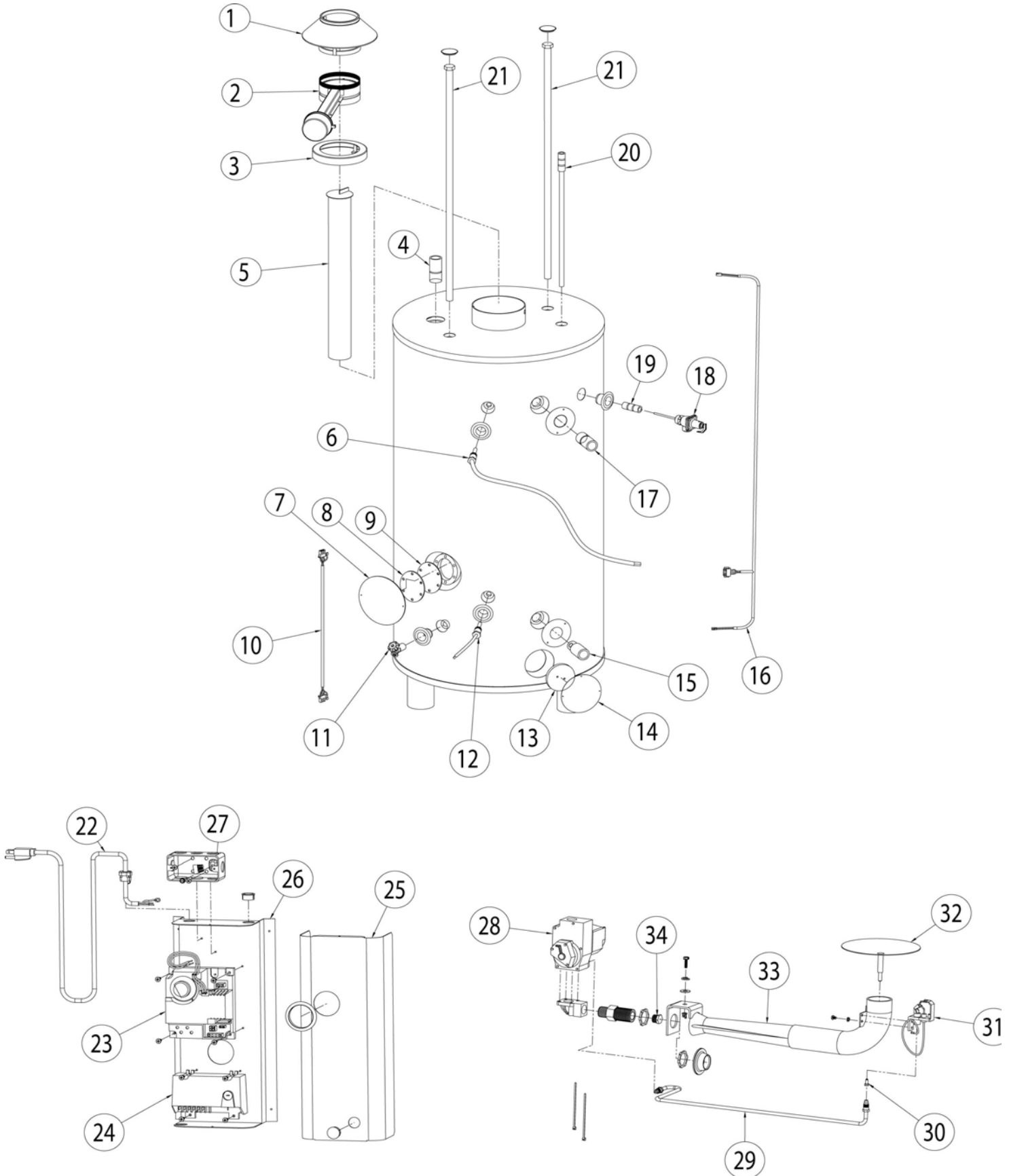


PARTS CATALOGUE

April 1, 2009

www.bockwaterheaters.com

ezFIT Atmospheric Gas



Bock Parts List
Effective April 1, 2009
(Prices Subject to Change Without Notice)

***ezFIT* Atmospheric Gas**

MODEL EZ75-135					
#	ITEM NO.	DESCRIPTION	#	ITEM NO.	DESCRIPTION
1	16420	Draft Hood	20	15400	Dip Tube; 1"x4-1/2"x34"
2	16400	6" Electric Damper	21	15040	Magnesium Anode Rod; 3/4"x40"
3	16430	8" to 6" Reducer	22	21647	6' 3" Power Cord
4	15335	Nipple; 1-1/2"x4"; Plastic Lined	23	21625	White Rodgers Control
5	16615	32" Baffle	24	20057	Honeywell S8600M-3001 Control
6	21642	Upper Temperature Sensor	25	17205	Control Box Cover
7	17190	Hand Hole Jacket Cover	26	17207	Control Box Base
8	27030	Hand Hole Cover	27	21640	Electrical Box with Cover
9	27015	Hand Hole Gasket	28	20040	LP Gas Valve
10	21631	Gas Valve Wire Harness	28	20046	Natural Gas Valve
11	15590	Brass Drain Valve; 3/4"	29	20105	Pilot Tube
12	21645	Lower Temperature Sensor	30	20052	Natural Gas Pilot Orifice
13	18014	Chamber Plug	30	20054	LP Pilot Orifice
14	17225	Inspection Hole Jacket Cover	31	20052	Pilot Ignitor Assembly
15	15315	Bottom Inlet; 1-1/2"x3"	32	20080	4" Flame Spreader
16	21638	3-Way Damper Harness	33	20066	15" Burner Venturi Tube
17	15335	Nipple; 1-1/2"x4"; Plastic Lined	34	20090	Gas Orifice
18	21790	T&P Valve; 3/4"	Opt	25550	Natural Gas to LP Conversion Kit
19	15370	Nipple; 3/4"x3"; Plastic Lined	Opt	25545	Leg Extension Kit

MODEL EZ80-156					
#	ITEM NO.	DESCRIPTION	#	ITEM NO.	DESCRIPTION
1	16420	Draft Hood	20	15400	Dip Tube; 1"x4-1/2"x34"
2	16400	6" Electric Damper	21	15040	Magnesium Anode Rod; 3/4"x40"
3	16430	8" to 6" Reducer	22	21647	6' 3" Power Cord
4	15335	Nipple; 1-1/2"x4"; Plastic Lined	23	21625	White Rodgers Control
5	16610	28" Baffle	24	20057	Honeywell S8600M-3001 Control
6	21642	Upper Temperature Sensor	25	17205	Control Box Cover
7	17190	Hand Hole Jacket Cover	26	17207	Control Box Base
8	27030	Hand Hole Cover	27	21640	Electrical Box with Cover
9	27015	Hand Hole Gasket	28	20040	LP Gas Valve
10	21631	Gas Valve Wire Harness	28	20046	Natural Gas Valve
11	15600	Brass Drain Valve; 3/4"	29	20105	Pilot Tube
12	21645	Lower Temperature Sensor	30	20052	Natural Gas Pilot Orifice
13	18014	Chamber Plug	30	20054	LP Pilot Orifice
14	17225	Inspection Hole Jacket Cover	31	20052	Pilot Ignitor Assembly
15	15315	Bottom Inlet; 1-1/2"x3"	32	20080	4" Flame Spreader
16	21638	3-Way Damper Harness	33	20066	15" Burner Venturi Tube
17	15335	Nipple; 1-1/2"x4"; Plastic Lined	34	20090	Gas Orifice
18	21790	T&P Valve; 3/4"	Opt	25552	Natural Gas to LP Conversion Kit
19	15370	Nipple; 3/4"x3"; Plastic Lined	Opt	25545	Leg Extension Kit

Bock Parts List
Effective April 1, 2009
(Prices Subject to Change Without Notice)

***ezFIT* Atmospheric Gas**

MODEL EZ80-199					
#	ITEM NO.	DESCRIPTION	#	ITEM NO.	DESCRIPTION
1	16420	Draft Hood	20	15400	Dip Tube; 1"x4-1/2"x34"
2	16400	6" Electric Damper	21	15040	Magnesium Anode Rod; 3/4"x40"
3	16430	8" to 6" Reducer	22	21647	6' 3" Power Cord
4	15335	Nipple; 1-1/2"x4"; Plastic Lined	23	21625	White Rodgers Control
5	16610	28" Baffle	24	20057	Honeywell S8600M-3001 Control
6	21642	Upper Temperature Sensor	25	17205	Control Box Cover
7	17190	Hand Hole Jacket Cover	26	17207	Control Box Base
8	27030	Hand Hole Cover	27	21640	Electrical Box with Cover
9	27015	Hand Hole Gasket	28	20040	LP Gas Valve
10	21631	Gas Valve Wire Harness	28	20046	Natural Gas Valve
11	15590	Brass Drain Valve; 3/4"	29	20105	Pilot Tube
12	21645	Lower Temperature Sensor	30	20052	Natural Gas Pilot Orifice
13	18014	Chamber Plug	30	20054	LP Pilot Orifice
14	17225	Inspection Hole Jacket Cover	31	20052	Pilot Ignitor Assembly
15	15315	Bottom Inlet; 1-1/2"x3"	32	20076	6" Flame Spreader
16	21638	3-Way Damper Harness	33	20067	16" Burner Venturi Tube
17	15335	Nipple; 1-1/2"x4"; Plastic Lined	34	20090	Gas Orifice
18	21790	T&P Valve; 3/4"	Opt	25555	Natural Gas to LP Conversion Kit
19	15370	Nipple; 3/4"x3"; Plastic Lined	Opt	25545	Leg Extension Kit

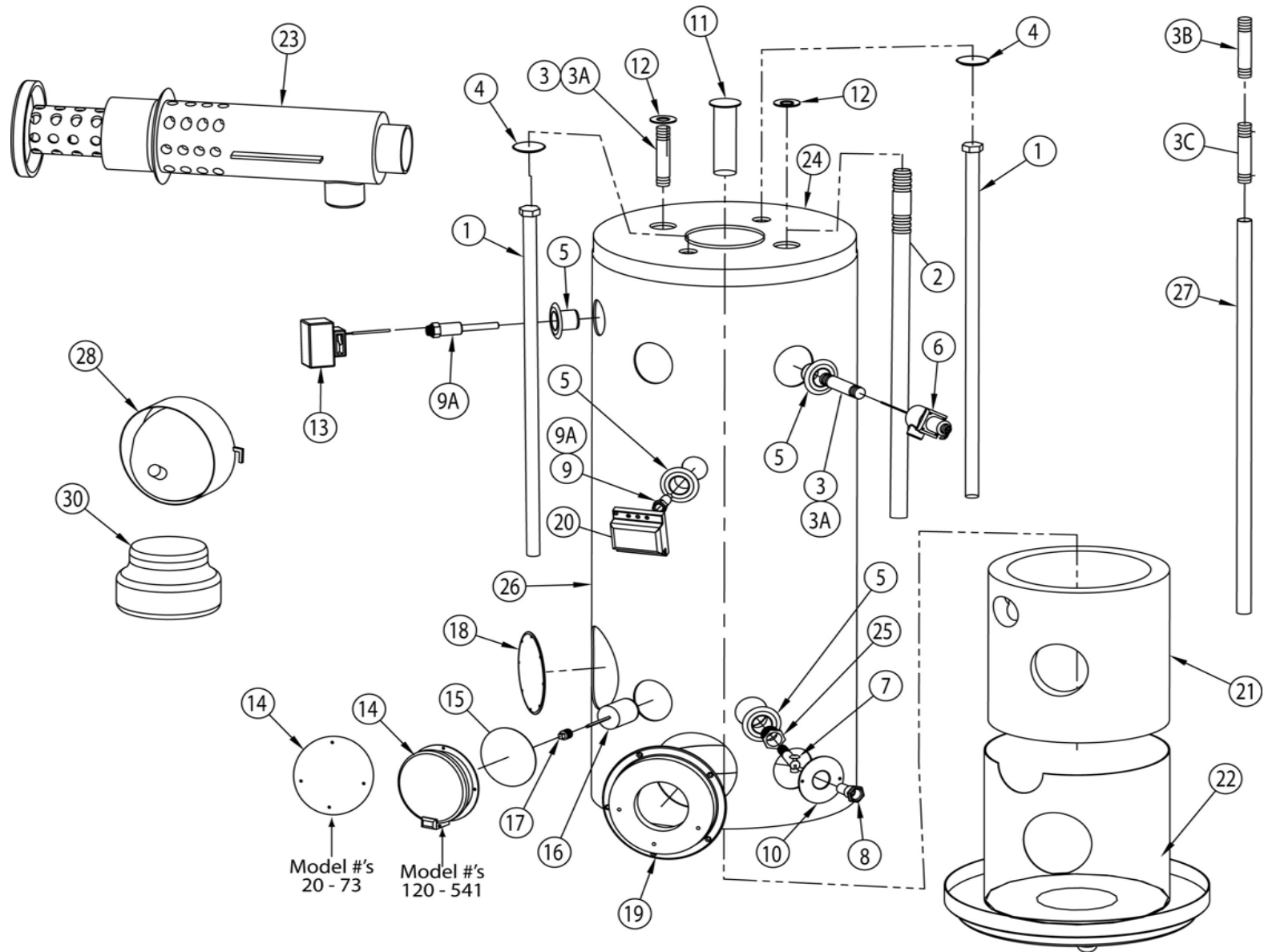
MODEL EZ90-199					
#	ITEM NO.	DESCRIPTION	#	ITEM NO.	DESCRIPTION
1	16420	Draft Hood	20	15365	Dip Tube; 1"x4-1/2"x58"
2	16400	6" Electric Damper	21	15040	Magnesium Anode Rod; 3/4"x40"
3	16430	8" to 6" Reducer	22	21647	6' 3" Power Cord
4	15335	Nipple; 1-1/2"x4"; Plastic Lined	23	21625	White Rodgers Control
5	16617	17" Baffle	24	20057	Honeywell S8600M-3001 Control
6	21642	Upper Temperature Sensor	25	17205	Control Box Cover
7	17190	Hand Hole Jacket Cover	26	17207	Control Box Base
8	27030	Hand Hole Cover	27	21640	Electrical Box with Cover
9	27015	Hand Hole Gasket	28	20040	LP Gas Valve
10	21631	Gas Valve Wire Harness	28	20046	Natural Gas Valve
11	15600	Brass Drain Valve; 3/4"	29	20105	Pilot Tube
12	21645	Lower Temperature Sensor	30	20052	Natural Gas Pilot Orifice
13	18014	Chamber Plug	30	20054	LP Pilot Orifice
14	17225	Inspection Hole Jacket Cover	31	20052	Pilot Ignitor Assembly
15	15315	Bottom Inlet; 1-1/2"x3"	32	20076	6" Flame Spreader
16	21638	3-Way Damper Harness	33	20066	15" Burner Venturi Tube
17	15335	Nipple; 1-1/2"x4"; Plastic Lined	34	20090	Gas Orifice
18	21790	T&P Valve; 3/4"	Opt	25557	Natural Gas to LP Conversion Kit
19	15370	Nipple; 3/4"x3"; Plastic Lined	Opt	25545	Leg Extension Kit

Bock Parts List
Effective April 1, 2009
(Prices Subject to Change Without Notice)

ezFIT Atmospheric Gas

MODEL EZ100-199					
#	ITEM NO.	DESCRIPTION	#	ITEM NO.	DESCRIPTION
1	16420	Draft Hood	20	15400	Dip Tube; 1"x4-1/2"x34"
2	16400	6" Electric Damper	21	15090	Magnesium Anode Rod; 1"x40"
3	16430	8" to 6" Reducer	22	21647	6' 3" Power Cord
4	15340	Nipple; 2"x5"; Plastic Lined	23	21625	White Rodgers Control
5	16612	14" Baffle	24	20057	Honeywell S8600M-3001Control
6	21642	Upper Temperature Sensor	25	17205	Control Box Cover
7	17190	Hand Hole Jacket Cover	26	17207	Control Box Base
8	27030	Hand Hole Cover	27	21640	Electrical Box with Cover
9	27015	Hand Hole Gasket	28	20040	LP Gas Valve
10	21631	Gas Valve Wire Harness	28	20046	Natural Gas Valve
11	15590	Brass Drain Valve; 3/4"	29	20105	Pilot Tube
12	21645	Lower Temperature Sensor	30	20052	Natural Gas Pilot Orifice
13	18014	Chamber Plug	30	20054	LP Pilot Orifice
14	17225	Inspection Hole Jacket Cover	31	20052	Pilot Ignitor Assembly
15	15315	Bottom Inlet; 1-1/2"x3"	32	20076	6" Flame Spreader
16	21638	3-Way Damper Harness	33	20065	18" Burner Venturi Tube
17	15335	Nipple; 1-1/2"x4"; Plastic Lined	34	20090	Gas Orifice
18	21790	T&P Valve; 3/4"	Opt	25560	Natural Gas to LP Conversion Kit
19	15370	Nipple; 3/4"x3"; Plastic Lined	Opt	25545	Leg Extension Kit

Oil Fired Water Heaters (includes BCS)



Bock Parts List
Effective April 1, 2009
(Prices Subject to Change Without Notice)

Oil Fired

MODEL 20E					
#	ITEM NO.	DESCRIPTION	#	ITEM NO.	DESCRIPTION
1	15050	Magnesium Anode Rod; 3/4"x20"	9	21587	Well 988618B6 w/21585
1	15005-20	Aluminum Anode Rod; 3/4"x20" - Opt.	11	16600	Baffle
1	15110	Link Anode Rod; 3/4"x20" - Opt.	12	17550	Plastic Ring; 3/4"
2	15350	Dip Tube; 3/4"x3"x23"	14	17235	Cover Plate
3	15370	Nipple; 3/4"x3"; Plastic Lined	20	21585	Aquastat EZ-Temp 90000B2S w/21587
4	17560	Anode Rod Caps	21	18012	Combustion Chamber
5	17530	Leak Detector Fitting	22	19660	Bottom Assembly w/Chamber Liner, Legs
6	21777	T&P Relief Valve; SL-100XL-25	24	19080	Top Pan Cover
7	15600	Drain Valve; 3/4"x1-1/2"	26	19305	Jacket

MODEL 32E, 32PP, 32E-BCS					
#	ITEM NO.	DESCRIPTION	#	ITEM NO.	DESCRIPTION
1	15010	Magnesium Anode Rod; 3/4"x30"	12	17550	Plastic Ring; 3/4"
1	15005-30	Aluminum Anode Rod; 3/4"x30" - Opt.	14	17235	Cover Plate
1	15110	Link Anode Rod; 3/4"x30" - Opt.	16	18070	Inspection Block - Not BCS
2	15350	Dip Tube; 3/4"x3"x23"	17	15295	Plug, Galvanized; 3/4" - BCS
3	15370	Nipple; 3/4"x3"; Plastic Lined	20	21585	Aquastat EZ-Temp 90000B2S w/21587
4	17560	Anode Rod Caps	20	21760	Aquastat L4103A-1142 w/21601
5	17530	Leak Detector Fitting	21	18012	Combustion Chamber
6	21777	T&P Relief Valve; SL-100XL-25	22	19660	Bottom Assembly w/Chamber Liner, Legs
7	15600	Drain Valve; 3/4"x1-1/2"	23	21820	BCS Vent Kit - BCS
9	21587	Well-988618B6 w/21585	24	19080	Top Pan Cover
9	21601	Well-PNW-3SE 2.5DBP w/21760	25	15290	Bushing, Galvanized; 1"x3/4" - BCS, PP
11	16600	Baffle	26	19310	Jacket

MODEL 33E, 33PP					
#	ITEM NO.	DESCRIPTION	#	ITEM NO.	DESCRIPTION
1	15050	Magnesium Anode Rod; 3/4"x20"	11	16600	Baffle
1	15005-20	Aluminum Anode Rod; 3/4"x20" - Opt.	12	17520	Plastic Ring; 1" I.D.
1	15110	Link Anode Rod; 3/4"x20" - Opt.	14	17235	Cover Plate
3	15370	Nipple; 3/4"x3"; Plastic Lined	16	18070	Inspection Block
4	17560	Anode Rod Caps	20	21585	Aquastat EZ-Temp 90000B2S
5	17540	Leak Detector Fitting	20	21760	Aquastat L4103A-1142 w/21601
6	21790	T&P Relief Valve; 140X5 w/15370	21	18012	Combustion Chamber
7	15590	Drain Valve; 3/4"x2-1/4"	22	19680	Bottom Assembly w/Chamber Liner, Legs
8	15312	Inlet; 1"x3"	24	19146	Top Pan Cover
9	21587	Well-988618B6 w/21585	26	19312	Jacket
9	21601	Well-PMW-3SE 2.5DBP w/21760			

MODEL 40E, 40PP, 40E-BCS					
#	ITEM NO.	DESCRIPTION	#	ITEM NO.	DESCRIPTION
1	15020	Magnesium Anode Rod; 3/4"x36"	14	17235	Cover Plate
1	15005-36	Aluminum Anode Rod; 3/4"x36" - Opt.	16	18070	Inspection Block
1	15120	Link Anode Rod; 3/4"x36"	17	15295	Galvanized Plug; 3/4" - BCS
3	15370	Nipple; 3/4"x3"; Plastic Lined	20	21585	Aquastat EZ-Temp 90000B2S w/21587
4	17560	Anode Rod Caps	20	21760	Aquastat L4103A-1142 w/21601
5	17530	Leak Detector Fitting	21	18012	Combustion Chamber
6	21795	T&P Relief Valve; LL40XL	22	19660	Bottom Assembly w/Chamber Liner, Legs
7	15600	Drain Valve; 3/4"x1-1/2"	23	21820	BCS Vent Kit - BCS
8	15312	Inlet; 1"x3"	24	19080	Top Pan Cover
9	21587	Well-988618B6 w/21585	25	15290	Galvanized Bushing; 1"x3/4"
9	21601	Well-PMW-3SE 2.5DBP w/21760	26	19315	Jacket
12	17550	Plastic Ring; 3/4" I.D.			

Bock Parts List
Effective April 1, 2009
(Prices Subject to Change Without Notice)

Oil Fired

MODEL 50ES					
#	ITEM NO.	DESCRIPTION	#	ITEM NO.	DESCRIPTION
1	15010	Magnesium Anode Rod; 3/4"x30"	11	16602	Baffle
1	15005-30	Aluminum Anode Rod; 3/4"x30" - Opt.	13	21580	Aquastat L4080B-1345 w/21590
1	15110	Link Anode Rods; 3/4"x30" - Opt.	14	17235	Cover Plate
2	15400	Dip Tube; 1"x4-1/2"x34"	16	18070	Inspection Block
3	15370	Nipple; 3/4"x3"; Plastic Lined	20	21585	Aquastat EZ-Temp 90000B2S w/21587
4	17560	Anode Rod Caps	20	21570	Aquastat L4006A-2031 w/21590
6	21790	T&P Relief Valve; 140X5 w/15370	20	21760	Aquastat L4103A-1142 w/21601
7	15590	Drain Valve; 3/4"x2-1/4"	21	18012	Combustion Chamber
9	21587	Well-988618B6 w/21585	22	19675	Bottom Assembly w/Chamber Liner, Legs
9	21601	Well-PMW-3SE 2.5DBP w/21760	24	18325	Top Pan Cover
9A	21590	Well-PMW-3SEP w/21570, 21580	26	19325	Jacket

MODEL 51E, 51PP, 51E-BCS					
#	ITEM NO.	DESCRIPTION	#	ITEM NO.	DESCRIPTION
1	15020	Magnesium Anode Rod; 3/4"x36"	12	17520	Plastic Ring; 1" I.D.
1	15005-36	Aluminum Anode Rod; 3/4"x36" - Opt.	14	17235	Cover Plate
1	15120	Link Anode Rods; 3/4"x36" - Opt.	16	18070	Inspection Block - Not BCS
2	15325	Dip Tube; 1"x3"x28"	17	15295	Galvanized Plug; 3/4" - BCS
3	15370	Nipple; 3/4"x3"; Plastic Lined	20	21585	Aquastat EZ-Temp 90000B2S w/21587
3A	15330	Nipple; 1"x3"; Plastic Lined	20	21760	Aquastat L4103A-1142 w/21601
4	17560	Anode Rod Caps	21	18012	Combustion Chamber
5	17540	Leak Detector Fitting	22	19680	Bottom Assembly w/Chamber Liner, Legs
6	21790	T&P Relief Valve; 140X5 w/15370	23	21820	BCS Vent Kit - BCS
7	15590	Drain Valve; 3/4"x2-1/4"	24	19146	Top Pan Cover
9	21587	Well-988618B6 w/21585	25	15290	Galvanized Bushing; 1"x3/4" - BCS, PP
9	21601	Well-PMW-3SE 2.5DBP w/21760	26	19320	Jacket

MODEL 71E					
#	ITEM NO.	DESCRIPTION	#	ITEM NO.	DESCRIPTION
1	15040	Magnesium Anode Rod; 3/4"x40"	14	17235	Cover Plate
1	15005-36	Aluminum Anode Rod; 3/4"x36" - Opt.	16	18070	Inspection Block
1	15130	Link Anode Rod; 3/4"x40" - Opt.	18	17190	Hand Hole Cover
2	15400	Dip Tube; 1"x4-1/2"x34"	19	17040	Burner Mounting Flange
3	15370	Nipple; 3/4"x3"; Plastic Lined	20	21585	Aquastat EZ-Temp 90000B2S w/21587
4	17560	Anode Rod Caps	20	21760	Aquastat L4103A-1142 w/21601
6	21790	T&P Relief Valve; 140X5 w/15370	21	18017	Combustion Chamber
7	15590	Drain Valve; 3/4"x2-1/4"	22	19632	Bottom Assembly w/Chamber Liner, Legs
9	21587	Well-988618B6 w/21585	24	18325	Top Pan Cover
9	21601	Well-PMW-3SE 2.5DBP w/21760	26	19330	Jacket

MODEL 72E					
#	ITEM NO.	DESCRIPTION	#	ITEM NO.	DESCRIPTION
1	15020	Magnesium Anode Rod; 3/4"x36"	11	16608	Baffle
1	15005-36	Aluminum Anode Rod; 3/4"x36" - Opt	14	17235	Cover Plate
1	15120	Link Anode Rod; 3/4"x36" - Opt	16	18075	Inspection Block
2	15400	Dip Tube; 1"x4-1/2"x34"	19	17040	Burner Mounting Flange
3B	15240	Nipple; 1"x5"; Brass	20	21585	Aquastat EZ-Temp 90000B2S w/21587
4	17560	Anode Rod Caps	20	21760	Aquastat L4103A-1142 w/21601
6	21785	T&P Relief Valve;140X6 w/15330	21	18065	Combustion Chamber
7	15600	Drain Valve; 3/4"x1-1/2"	22	19670	Bottom Assembly w/Chamber Liner, Legs
9	21587	Well-988618B6 w/21585	24	19120	Top Pan Cover
9	21601	Well-PMW-3SE 2.5DBP w/21760	26	19340	Jacket

Bock Parts List
Effective April 1, 2009
(Prices Subject to Change Without Notice)

Oil Fired

MODEL 73E					
#	ITEM NO.	DESCRIPTION	#	ITEM NO.	DESCRIPTION
1	15020	Magnesium Anode Rod; 3/4"x36"	13	21572	Aquastat 4006E-1067 Manual Reset High Limit w/21590
1	15005-36	Aluminum Anode Rod; 3/4"x36" - Opt.			
1	15120	Link Anode Rod; 3/4"x36" - Opt.	13	21580	Aquastat L4080B-1345 w/21590
2	15400	Dip Tube; 1"x4-1/2"x34"	14	17235	Cover Plate
3B	15240	Nipple; 1"x5"; Brass	16	18075	Inspection Block
4	17560	Anode Rod Caps	19	17040	Burner Mounting Flange
6	21785	T&P Relief Valve;140X-6	20	21585	Aquastat EZ-Temp 90000B2S w/21587
7	15600	Drain Valve; 3/4"x1-1/2"	20	21570	Aquastat L4006A-2031 w/21590
9	21587	Well-988618B6 w/21585	21	18065	Combustion Chamber
9	21601	Well-PMW-3SE 2.5DBP w/21760	22	19670	Bottom Assembly w/Chamber Liner, Legs
9A	21590	Well-PMW-3SEP w/21570, 21572, 21580	24	19120	Top Pan Cover
11	16608	Baffle	26	19340	Jacket

MODEL 120E, 120E-BCS, 190E, 190E-BCS					
#	ITEM NO.	DESCRIPTION	#	ITEM NO.	DESCRIPTION
1	15090-40	Magnesium Anode Rod; 1"x40"	16	18070	Inspection Block - Not BCS
1	15130	Link Anode Rod; 3/4"x40" - Opt.	17	15295	Galvanized Plug; 3/4" - BCS
2	15400	Dip Tube; 1"x4-1/2"x-34" - Not BCS	19	17050	Burner Mounting Flange
3	15370	Nipple; 3/4"x3"; Plastic Lined	20	21589	Aquastat EZ-Temp 90300B1 w/21587
6	21790	T&P Relief Valve; 140X5 w/15370	21	18017	Combustion Chamber
7	15590	Drain Valve; 3/4"x2-1/4"	22	19650	Bottom Assembly w/Chamber Liner, Legs
9	21587	Well-988618B6 w/21585	23	21820	BCS Vent Kit - BCS
11	16600	Baffle - 120	24	19451	Top Pan Cover
14	17080	Inspection Door; 7"	26	19355	Jacket
15	18170	Inspection Door Gasket - Not BCS			

MODEL 241E; including ASME					
#	ITEM NO.	DESCRIPTION	#	ITEM NO.	DESCRIPTION
1	15090-40	Magnesium Anode Rod; 1"x40"	16	18075	Inspection Block
1	15130	Link Anode Rod; 3/4"x40" - Opt.	18	15570	Oval Gasket ASME w/17065 - ASME
2	15400	Dip Tube; 1"x4-1/2"x34" - Non-ASME	19	17050	Burner Mounting Flange
3A	15330	Nipple; 1"x3"; Plastic Lined	20	21589	Aquastat EZ-Temp 90300B1 w/21587
3B	15240	Nipple; 1"x3"; Brass - ASME	21	18025	Combustion Chamber
6	21785	T&P Relief Valve;140X-6 w/15330	22	19648	Bottom Assembly w/Chamber Liner, Legs
7	15590	Drain Valve; 3/4"x2-1/4"	24	19450	Top Pan Cover
9	21587	Well-988618B6 w/21585	26	19350	Jacket
11	16607	Baffle	27	15490	Dip Tube; 1"x34" - ASME
14	17080	Inspection Door; 7"	28	17065	Hand Hole Assembly w/15770 - ASME
15	18170	Inspection Door Gasket			

Bock Parts List
Effective April 1, 2009
(Prices Subject to Change Without Notice)

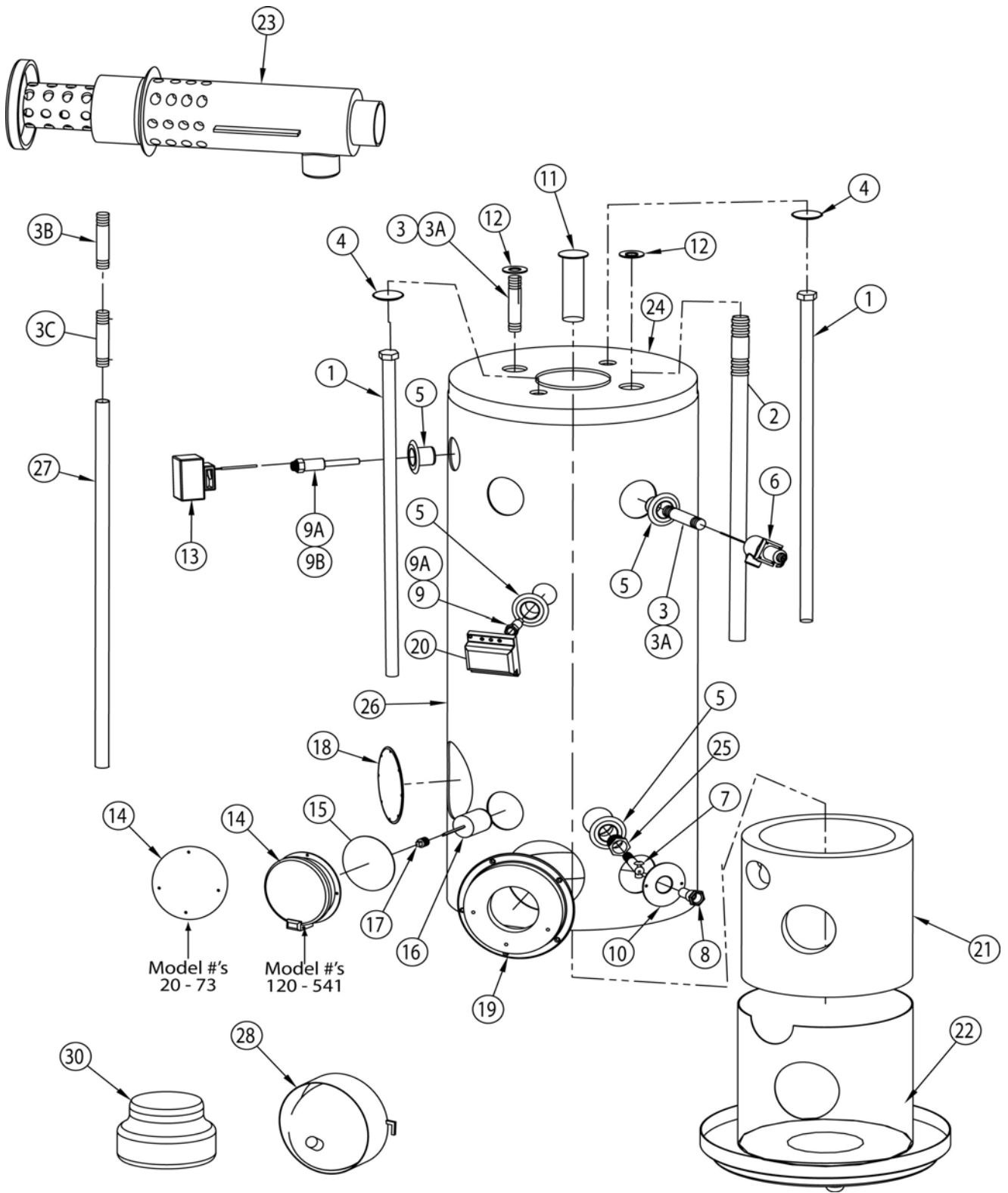
Oil Fired

MODEL 361E; including ASME					
#	ITEM NO.	DESCRIPTION	#	ITEM NO.	DESCRIPTION
1	15090-40	Magnesium Anode Rod; 1"x40"	16	18075	Inspection Block
1	15090-36	Magnesium Anode Rod; 1"x36" - ASME	18	15570	Oval Gasket ASME w/17065 - ASME
1	15130	Link Anode Rod; 3/4"x40" - Opt.	19	17050	Burner Mounting Flange
3A	15330	Nipple; 1"x3"; Plastic Lined	20	21589	Aquastat EZ-Temp 90300B1 w/21587
3C	15250	Nipple; 1"x7"; Brass	21	18025	Combustion Chamber
6	21785	T&P Relief Valve;140X-6 w/15330	22	19648	Bottom Assembly w/Chamber Liner, Legs
7	15590	Drain Valve; 3/4"x2-1/4"	24	19449	Top Pan Cover - Non-ASME
9	21587	Well-988618B6 w/21585	24	19448	Top Pan Cover - ASME
11	16640	Baffle	26	19360	Jacket
14	17080	Inspection Door; 7"	27	15490	Dip Tube; 1"x34"
15	18170	Inspection Door Gasket	28	17065	Hand Hole Assembly w/15770 - ASME

MODEL 541E; including ASME					
#	ITEM NO.	DESCRIPTION	#	ITEM NO.	DESCRIPTION
1	15090-36	Magnesium Anode Rod; 1"x36"	16	18075	Inspection Block
1	15090-32	Magnesium Anode Rod; 1"x32" - ASME	18	15570	Oval Gasket ASME w/17065 - ASME
1	15130	Link Anode Rod; 3/4"x40" - Opt.	19	17050	Burner Mounting Flange
3A	15330	Nipple; 1"x3"; Plastic Lined	20	21589	Aquastat EZ-Temp 90300B1 w/21587
6	21785	T&P Relief Valve;140X-6 w/15330	21	18050	Combustion Chamber
7	15590	Drain Valve; 3/4"x2-1/4"	22	19652	Bottom Assembly w/Chamber Liner, Legs
9	21587	Well-988618B6 w/21585	24	19456	Top Pan Cover
11	16650	Baffle	26	19370	Jacket
14	17080	Inspection Door; 7"	28	17065	Hand Hole Assembly w/15770 - ASME
15	18170	Inspection Door Gasket			

Power Gas Water Heaters

(includes BCS)



Bock Parts List
Effective April 1, 2009
(Prices Subject to Change Without Notice)

Power Gas

MODEL 32PG, 32PG-BCS					
#	ITEM NO.	DESCRIPTION	#	ITEM NO.	DESCRIPTION
1	15010	Magnesium Anode Rod; 3/4"x30"	12	17550	Plastic Ring; 3/4"
1	15005-30	Aluminum Anode Rod; 3/4"x30" - Opt.	14	17235	Cover Plate
1	15110	Link Anode Rod; 3/4"x30" - Opt.	16	18070	Inspection Block - Not BCS
2	15350	Dip Tube; 3/4"x3"x23"	17	15295	Plug, Galvanized; 3/4" - BCS
3	15370	Nipple; 3/4"x3"; Plastic Lined	20	21585	Aquastat EZ-Temp 90000B2S w/21587
4	17560	Anode Rod Caps	20	21760	Aquastat L4103A-1142 w/21601
5	17530	Leak Detector Fitting	21	18012	Combustion Chamber
6	21777	T&P Relief Valve; SL-100XL-25	22	19660	Bottom Assembly w/Chamber Liner, Legs
7	15600	Drain Valve; 3/4"x1-1/2"	23	21820	BCS Vent Kit - BCS
9	21587	Well-988618B6 w/21585	24	19080	Top Pan Cover
9	21601	Well-PNW-3SE 2.5DBP w/21760	25	15290	Bushing, Galvanized; 1"x3/4" - BCS, PP
11	16600	Baffle	26	19310	Jacket

MODEL 33PG					
#	ITEM NO.	DESCRIPTION	#	ITEM NO.	DESCRIPTION
1	15050	Magnesium Anode Rod; 3/4"x20"	11	16600	Baffle
1	15005-20	Aluminum Anode Rod; 3/4"x20" - Opt.	12	17520	Plastic Ring; 1" I.D.
1	15110	Link Anode Rod; 3/4"x20" - Opt.	14	17235	Cover Plate
3	15370	Nipple; 3/4"x3"; Plastic Lined	16	18070	Inspection Block
4	17560	Anode Rod Caps	20	21585	Aquastat EZ-Temp 90000B2S
5	17540	Leak Detector Fitting	20	21760	Aquastat L4103A-1142 w/21601
6	21790	T&P Relief Valve; 140X5 w/15370	21	18012	Combustion Chamber
7	15590	Drain Valve; 3/4"x2-1/4"	22	19680	Bottom Assembly w/Chamber Liner, Legs
8	15312	Inlet; 1" x 3"	24	19146	Top Pan Cover
9	21587	Well-988618B6 w/21585	26	19312	Jacket
9	21601	Well-PMW-3SE 2.5DBP w/21760			

MODEL 40PG, 40PG-BCS					
#	ITEM NO.	DESCRIPTION	#	ITEM NO.	DESCRIPTION
1	15020	Magnesium Anode Rod; 3/4"x36"	14	17235	Cover Plate
1	15005-36	Aluminum Anode Rod; 3/4"x36" - Opt.	16	18070	Inspection Block
1	15120	Link Anode Rod; 3/4"x36"	17	15295	Galvanized Plug; 3/4" - BCS
3	15370	Nipple; 3/4"x3"; Plastic Lined	20	21585	Aquastat EZ-Temp 90000B2S w/21587
4	17560	Anode Rod Caps	20	21760	Aquastat L4103A-1142 w/21601
5	17530	Leak Detector Fitting	21	18012	Combustion Chamber
6	21795	T&P Relief Valve; LL40XL	22	19660	Bottom Assembly w/Chamber Liner, Legs
7	15600	Drain Valve; 3/4"x1-1/2"	23	21820	BCS Vent Kit - BCS
8	15312	Inlet; 1" x 3"	24	19080	Top Pan Cover
9	21587	Well-988618B6 w/21585	25	15290	Galvanized Bushing; 1"x3/4" - BCS
9	21601	Well-PMW-3SE 2.5DBP w/21760	26	19315	Jacket
12	17550	Plastic Ring; 3/4" I.D.			

Bock Parts List
Effective April 1, 2009
(Prices Subject to Change Without Notice)

Power Gas

MODEL 50PG-ES					
#	ITEM NO.	DESCRIPTION	#	ITEM NO.	DESCRIPTION
1	15010	Magnesium Anode Rod; 3/4"x30"	11	16602	Baffle
1	15005-30	Aluminum Anode Rod; 3/4"x30" - Opt.	13	21580	Aquastat L4080B-1345 w/21590
1	15110	Link Anode Rods; 3/4"x30" - Opt.	14	17235	Cover Plate
2	15400	Dip Tube; 1"x4-1/2"x34"	16	18070	Inspection Block
3	15370	Nipple; 3/4"x3"; Plastic Lined	20	21585	Aquastat EZ-Temp 90000B2S w/21587
4	17560	Anode Rod Caps	20	21570	Aquastat L4006A-2031 w/21590
6	21790	T&P Relief Valve; 140X5 w/15370	20	21760	Aquastat L4103A-1142 w/21601
7	15590	Drain Valve; 3/4"x2-1/4"	21	18012	Combustion Chamber
9	21587	Well-988618B6 w/21585	22	19675	Bottom Assembly w/Chamber Liner, Legs
9	21601	Well-PMW-3SE 2.5DBP w/21760	24	18325	Top Pan Cover
9A	21590	Well-PMW-3SEP w/21570, 21580	26	19325	Jacket

MODEL 51PG, 51PG-BCS					
#	ITEM NO.	DESCRIPTION	#	ITEM NO.	DESCRIPTION
1	15020	Magnesium Anode Rod; 3/4"x36"	12	17520	Plastic Ring; 1" I.D.
1	15005-36	Aluminum Anode Rod; 3/4"x36" - Opt.	14	17235	Cover Plate
1	15120	Link Anode Rods; 3/4"x36" - Opt.	16	18070	Inspection Block - Not BCS
2	15325	Dip Tube; 1"x3"x28"	17	15295	Galvanized Plug; 3/4"-BCS
3	15370	Nipple; 3/4"x3"; Plastic Lined	20	21585	Aquastat EZ-Temp 90000B2S w/21587
3A	15330	Nipple; 1"x3"; Plastic Lined	20	21760	Aquastat L4103A-1142 w/21601
4	17560	Anode Rod Caps	21	18012	Combustion Chamber
5	17540	Leak Detector Fitting	22	19680	Bottom Assembly w/Chamber Liner, Legs
6	21790	T&P Relief Valve; 140X5 w/15370	23	21820	BCS Vent Kit - BCS
7	15590	Drain Valve; 3/4"x2-1/4"	24	19146	Top Pan Cover
9	21587	Well-988618B6 w/21585	25	15290	Galvanized Bushing; 1"x3/4" - BCS, PP
9	21601	Well-PMW-3SE 2.5DBP w/21760	26	19320	Jacket

MODEL 71PG					
#	ITEM NO.	DESCRIPTION	#	ITEM NO.	DESCRIPTION
1	15040	Magnesium Anode Rod; 3/4"x40"	14	17235	Cover Plate
1	15005-36	Aluminum Anode Rod; 3/4"x36" - Opt.	16	18070	Inspection Block
1	15130	Link Anode Rod; 3/4"x40" - Opt.	18	17190	Hand Hole Cover
2	15400	Dip Tube; 1"x4-1/2"x34"	19	17040	Burner Mounting Flange
3	15370	Nipple; 3/4"x3"; Plastic Lined	20	21585	Aquastat EZ-Temp 90000B2S w/21587
4	17560	Anode Rod Caps	20	21760	Aquastat L4103A-1142 w/21601
6	21790	T&P Relief Valve; 140X5 w/15370	21	18017	Combustion Chamber
7	15590	Drain Valve; 3/4"x2-1/4"	22	19632	Bottom Assembly w/Chamber Liner, Legs
9	21587	Well-988618B6 w/21585	24	18325	Top Pan Cover
9	21601	Well-PMW-3SE 2.5DBP w/21760	26	19330	Jacket

Bock Parts List
Effective April 1, 2009
(Prices Subject to Change Without Notice)

Power Gas

MODEL 72PG					
#	ITEM NO.	DESCRIPTION	#	ITEM NO.	DESCRIPTION
1	15020	Magnesium Anode Rod; 3/4"x36"	11	16608	Baffle
1	15005-36	Aluminum Anode Rod; 3/4"x36" - Opt	14	17235	Cover Plate
1	15120	Link Anode Rod; 3/4"x36" - Opt	16	18075	Inspection Block
2	15400	Dip Tube; 1"x4-1/2"x34"	19	17040	Burner Mounting Flange
3B	15240	Nipple; 1"x5"; Brass	20	21585	Aquastat EZ-Temp 90000B2S w/21587
4	17560	Anode Rod Caps	20	21760	Aquastat L4103A-1142 w/21601
6	21785	T&P Relief Valve;140X6 w/15330	21	18065	Combustion Chamber
7	15600	Drain Valve; 3/4"x1-1/2"	22	19670	Bottom Assembly w/Chamber Liner, Legs
9	21587	Well-988618B6 w/21585	24	19120	Top Pan Cover
9	21601	Well-PMW-3SE 2.5DBP w/21760	26	19340	Jacket

MODEL 73PG					
#	ITEM NO.	DESCRIPTION	#	ITEM NO.	DESCRIPTION
1	15020	Magnesium Anode Rod; 3/4"x36"	13	21572	Aquastat 4006E-1067 Manual Reset High Limit w/21590
1	15005-36	Aluminum Anode Rod; 3/4"x36" - Opt.	13	21580	Aquastat L4080B-1345 w/21590
1	15120	Link Anode Rod; 3/4"x36" - Opt.	14	17235	Cover Plate
2	15400	Dip Tube; 1"x4-1/2"x34"	16	18075	Inspection Block
3B	15240	Nipple; 1"x5"; Brass	19	17040	Burner Mounting Flange
4	17560	Anode Rod Caps	20	21585	Aquastat EZ-Temp 90000B2S w/21587
6	21785	T&P Relief Valve;140X-6	20	21570	Aquastat L4006A-2031 w/21590
7	15600	Drain Valve; 3/4"x1-1/2"	21	18065	Combustion Chamber
9	21587	Well-988618B6 w/21585	22	19670	Bottom Assembly w/Chamber Liner, Legs
9	21601	Well-PMW-3SE 2.5DBP w/21760	24	19120	Top Pan Cover
9A	21590	Well-PMW-3SEP w/21570, 21572, 21580	26	19340	Jacket
11	16608	Baffle			

MODEL 120PG, 120PG-BCS, 190PG, 190PG-BCS					
#	ITEM NO.	DESCRIPTION	#	ITEM NO.	DESCRIPTION
1	15090-40	Magnesium Anode Rod; 1"x40"	16	18070	Inspection Block
1	15130	Link Anode Rod; 3/4"x40" - Opt.	17	15295	Galvanized Plug; 3/4" - BCS
2	15400	Dip Tube; 1"x4-1/2"x-34" - Not BCS	19	17050	Burner Mounting Flange
3	15370	Nipple; 3/4"x3"; Plastic Lined	20	21589	Aquastat EZ-Temp 90300B1 w/21587
6	21790	T&P Relief Valve; 140X5 w/15370	21	18017	Combustion Chamber
7	15590	Drain Valve; 3/4"x2-1/4"	22	19650	Bottom Assembly w/Chamber Liner, Legs
9	21587	Well-988618B6 w/21585	23	21820	BCS Vent Kit - BCS
11	16600	Baffle - 120	24	19451	Top Pan Cover
14	17080	Inspection Door; 7"	26	19355	Jacket
15	18170	Inspection Door Gasket - Not BCS			

Bock Parts List
Effective April 1, 2009
(Prices Subject to Change Without Notice)

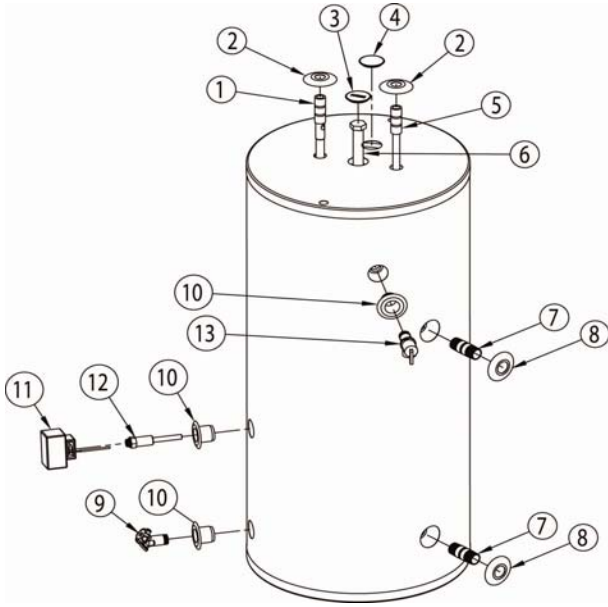
Power Gas

MODEL 241PG, including ASME					
#	ITEM NO.	DESCRIPTION	#	ITEM NO.	DESCRIPTION
1	15090-40	Magnesium Anode Rod; 1"x40"	16	18075	Inspection Block
1	15130	Link Anode Rod; 3/4"x40" - Opt.	18	15570	Oval Gasket ASME w/17065 - ASME
2	15400	Dip Tube; 1"x4-1/2"x34"	19	17050	Burner Mounting Flange
3A	15330	Nipple; 1"x3"; Plastic Lined	20	21589	Aquastat EZ-Temp 90300B1 w/21587
3B	15240	Nipple; 1"x5"; Brass - ASME	21	18025	Combustion Chamber
6	21785	T&P Relief Valve;140X-6 w/15330	22	19648	Bottom Assembly w/Chamber Liner, Legs
7	15590	Drain Valve; 3/4"x2-1/4"	24	19450	Top Pan Cover
9	21587	Well-988618B6 w/21585	26	19350	Jacket
11	16607	Baffle	27	15490	Dip Tube; 1"x34" - ASME
14	17080	Inspection Door; 7"	28	17065	Hand Hole Assembly w/15770 - ASME
15	18170	Inspection Door Gasket			

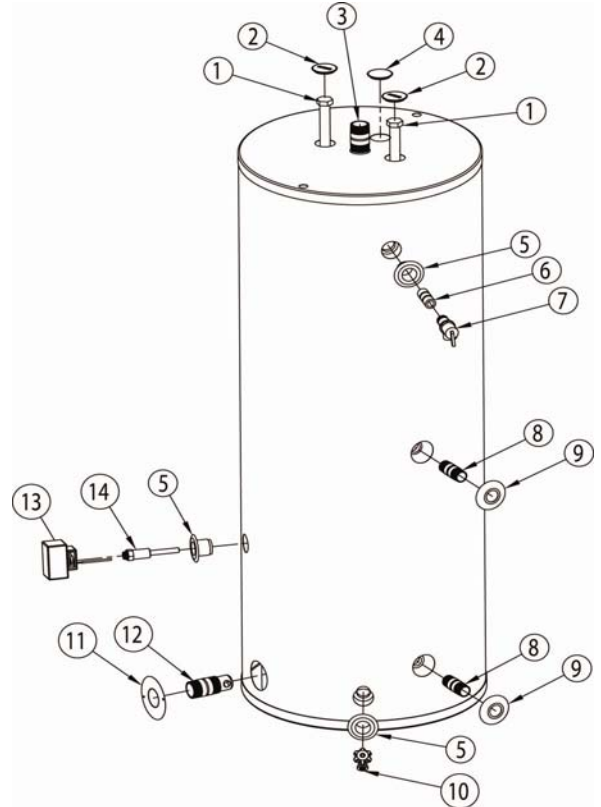
MODEL 361PG; including ASME					
#	ITEM NO.	DESCRIPTION	#	ITEM NO.	DESCRIPTION
1	15090-40	Magnesium Anode Rod; 1"x40"	16	18075	Inspection Block
1	15090-36	Magnesium Anode Rod; 1"x36" - ASME	18	15570	Oval Gasket ASME w/17065 - ASME
1	15130	Link Anode Rod; 3/4"x40" - Opt.	19	17050	Burner Mounting Flange
3A	15330	Nipple; 1"x3"; Plastic Lined	20	21589	Aquastat EZ-Temp 90300B1 w/21587
3C	15250	Nipple; 1"x7"; Brass	21	18025	Combustion Chamber
6	21785	T&P Relief Valve;140X-6 w/15330	22	19648	Bottom Assembly w/Chamber Liner, Legs
7	15590	Drain Valve; 3/4"x2-1/4"	24	19449	Top Pan Cover - Non-ASME
9	21587	Well-988618B6 w/21585	24	19448	Top Pan Cover - ASME
11	16640	Baffle	26	19360	Jacket
14	17080	Inspection Door; 7"	27	15490	Dip Tube; 1"x34"
15	18170	Inspection Door Gasket	28	17065	Hand Hole Assembly w/15770 - ASME

MODEL 541PG; including ASME					
#	ITEM NO.	DESCRIPTION	#	ITEM NO.	DESCRIPTION
1	15090-36	Magnesium Anode Rod; 1"x36"	16	18075	Inspection Block
1	15090-32	Magnesium Anode Rod; 1"x32" - ASME	18	15570	Oval Gasket ASME w/17065 - ASME
1	15130	Link Anode Rod; 3/4"x40" - Opt.	19	17050	Burner Mounting Flange
3A	15330	Nipple; 1"x3"; Plastic Lined	20	21589	Aquastat EZ-Temp 90300B1 w/21587
6	21785	T&P Relief Valve;140X-6 w/15330	21	18050	Combustion Chamber
7	15590	Drain Valve; 3/4"x2-1/4"	22	19652	Bottom Assembly w/Chamber Liner, Legs
9	21587	Well-988618B6 w/21585	24	19456	Top Pan Cover
11	16650	Baffle	26	19370	Jacket
14	17080	Inspection Door; 7"	28	17065	Hand Hole Assembly w/15770 - ASME
15	18170	Inspection Door Gasket			

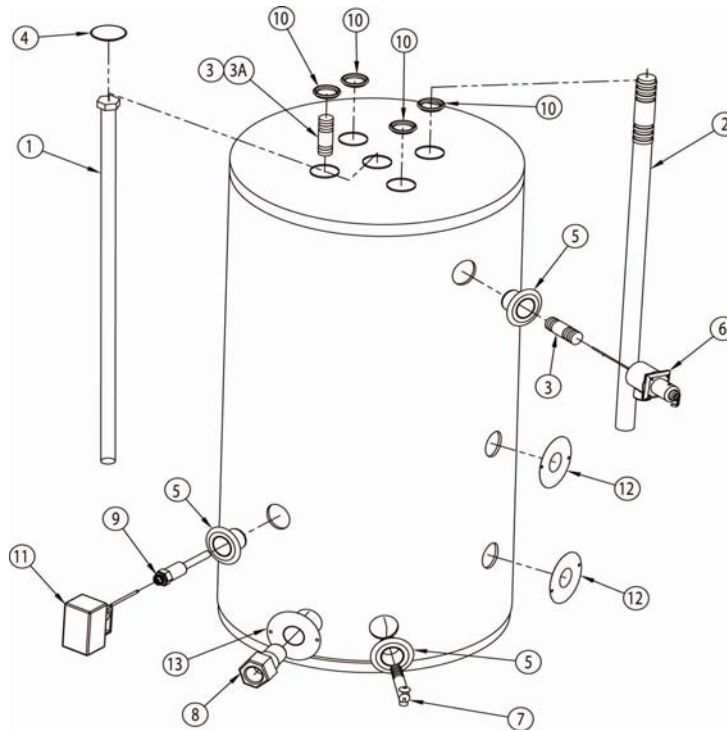
INDIRECT WATER HEATERS



30SK, 40SK & 50SK



80SK & 119SK



OBSOLETE CT'S

Bock Parts List
Effective April 1, 2009
(Prices Subject to Change Without Notice)

INDIRECT WATER HEATERS

MODEL 30SK					
#	ITEM NO.	DESCRIPTION	#	ITEM NO.	DESCRIPTION
1	15015	Hot Outlet w/Anode; 3/4"x3"x32"	7	15330	Nipple; 1"x3"; Plastic Lined
2	17525	3/4 Face Rings	8	17520	Finish Ring; Plastic
3	17560	Anode Rod Cap	9	15590	Drain Valve; 3/4"x2-1/4"
4	17565	Plain Cap	10	17540	Leak Detector Fitting
5	15345	Dip Tube; 3/4"x3"x33"	11	21575	Aquastat L4080B-1352
6	15010	Magnesium Anode Rod; 3/4"x30"	12	21595	Well - PNW-3SE; 2.5PL (use w/21575)
6	15005-30	Aluminium Anode Rod; 3/4"x30" - Opt.	13	21780	T&P Relief Valve; 3/4" LL100XL
6	15110	Linked Anode Rod; 3/4"x30" - Opt.			

MODEL 40SK					
#	ITEM NO.	DESCRIPTION	#	ITEM NO.	DESCRIPTION
1	15015	Hot Outlet w/Anode; 3/4"x3"x32"	7	15330	Nipple; 1"x3"; Plastic Lined
2	17525	3/4" Face Ring	8	17520	Finish Ring; Plastic
3	17560	Anode Rod Caps	9	15590	Drain Valve; 3/4"x2-1/4"
4	17565	Plain Cap	10	17540	Leak Detector Fitting
5	15320	Dip Tube; 3/4"x3"x38"	11	21575	Aquastat L4080B-1352
6	15010	Magnesium Anode Rod; 3/4"x30"	12	21595	Well - PNW-3SE; 2.5PL (use w/21575)
6	15005-30	Aluminium Anode Rod; 3/4"x30" - Opt.	13	21780	T&P Relief Valve; 3/4" LL100XL
6	15110	Linked Anode Rod; 3/4"x30" - Opt.			

MODEL 50SK					
#	ITEM NO.	DESCRIPTION	#	ITEM NO.	DESCRIPTION
1	15015	Hot Outlet w/Anode; 3/4"x3"x32"	7	15330	Nipple; 1"x3"; Plastic Lined
2	17525	3/4 Face Rings	8	17520	Finish Ring; Plastic
3	17560	Anode Rod Caps	9	15590	Drain Valve; 3/4"x2-1/4"
4	17565	Plain Cap	10	17540	Leak Detector Fitting
5	15355	Dip Tube; 3/4"x3"x44"	11	21575	Aquastat L4080B-1352
6	15010	Magnesium Anode Rod; 3/4"x30"	12	21595	Well - PNW-3SE; 2.5PL (use w/21575)
6	15005-30	Aluminium Anode Rod; 3/4"x30" - Opt.	13	21780	T&P Relief Valve; 3/4" LL100XL
6	15110	Linked Anode Rod; 3/4"x30" - Opt.			

MODEL 80SK					
#	ITEM NO.	DESCRIPTION	#	ITEM NO.	DESCRIPTION
1	15040	Magnesium Anode Rods; 3/4"x40"	7	21790	T&P Relief Valve;140X5 (use w/15370)
1	15005-36	Aluminium Anode Rod; 3/4"x36" - Opt.	8	15330	Nipple; 1"x3"; Plastic Lined
1	15130	Linked Anode Rods; 3/4"x40" - Opt.	9	17520	Finish Ring; Plastic
2	17560	Anode Rod Cap	10	15590	Drain Valve; 3/4"x2-1/4"
3	15335	Nipple; 1-1/2"x4"; Plastic Lined	11	17170	Steel Ring; 4-3/4"
4	17565	Plain Cap	12	15315	Cold Water Inlet; 1-1/2"x3"
5	17540	Leak Detector Fitting	13	21575	Aquastat L4080B-1352
6	15370	Nipple 3/4"x3"; Plastic Lined	14	21595	Well - PNW-3SE; 2.5PL (use w/21575)

MODEL 119SK					
#	ITEM NO.	DESCRIPTION	#	ITEM NO.	DESCRIPTION
1	15040	Magnesium Anode Rods; 3/4"x40"	7	21790	T&P Relief Valve;140X5 (use w/15370)
1	15005-36	Aluminium Anode Rod; 3/4"x36" - Opt.	8	15330	Nipple; 1"x3"; Plastic Lined
1	15130	Linked Anode Rods; 3/4"x40" - Opt.	9	17520	Finish Ring; Plastic
2	17560	Anode Rod Caps	10	15590	Drain Valve; 3/4"x2-1/4"
3	15335	Nipple; 1-1/2"x4"; Plastic Lined	11	17170	Steel Ring; 4-3/4"
4	17565	Plain Cap	12	15315	Cold Water Inlet; 1-1/2"x3"
5	17540	Leak Detector Fitting	13	21575	Aquastat L4080B-1352
6	15370	Nipple 3/4"x3"; Plastic Lined	14	21595	Well - PNW-3SE; 2.5PL (use w/21575)

Bock Parts List
Effective April 1, 2009
(Prices Subject to Change Without Notice)

INDIRECT WATER HEATERS - OBSOLETE

MODEL 30CT - OBSOLETE					
#	ITEM NO.	DESCRIPTION	#	ITEM NO.	DESCRIPTION
1	15010	Magnesium Anode Rod; 3/4"x30"	6	21780	T&P Relief Valve; 3/4 LL100XL
1	15005-30	Aluminium Anode Rod; 3/4"x30" - Opt.	7	15590	Drain Valve; 3/4"x2-1/4"
1	15110	Linked Anode Rod; 3/4"x30" - Opt.	9	21605	Well-PNW-3SE 2.5PL (use w/21575)
2	15345	Dip Tube; 3/4"x3"x33"	10	17570	Ring, Snap-In
3	15370	Nipple; 3/4"x3"; Plastic Lined	11	21290	Aquastat - 74T21 (replaced by 21575)
4	17560	Anode Rod Cap	11	21575	Aquastat L4080B-1352
5	17540	Leak Detector Fitting			

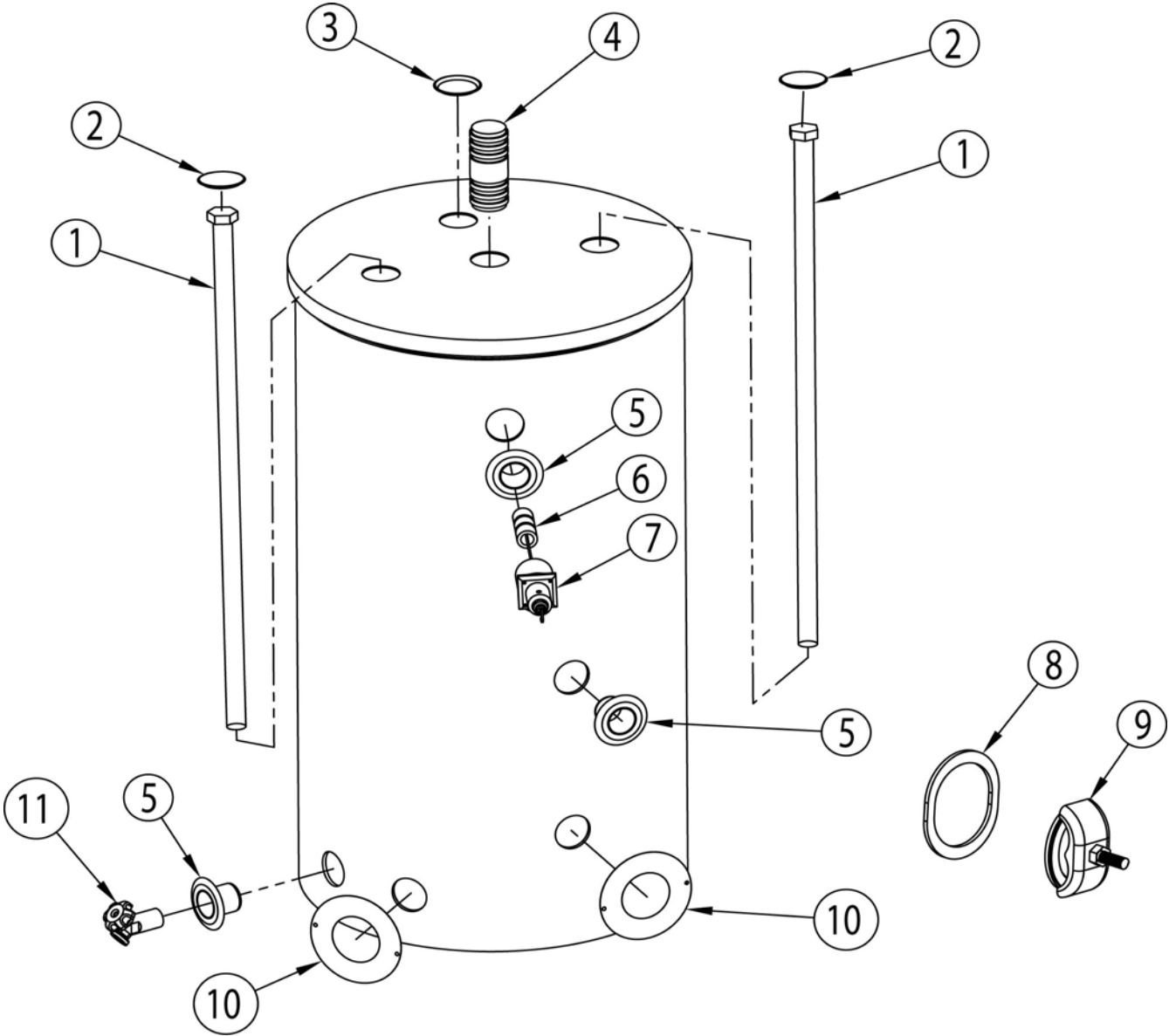
MODEL 40CT - OBSOLETE					
#	ITEM NO.	DESCRIPTION	#	ITEM NO.	DESCRIPTION
1	15010	Magnesium Anode Rod; 3/4"x30"	5	17540	Leak Detector Fitting
1	15005-30	Aluminium Anode Rod; 3/4"x30" - Opt.	6	21780	T&P Relief Valve; 3/4 LL100XL
1	15110	Linked Anode Rod; 3/4"x30" - Opt.	7	15590	Drain Valve; 3/4"x2-1/4"
2	15355	Dip Tube; 3/4"x3"x44"	9	21605	Well-PNW-3SE 2.5PL (use w/21575)
3	15370	Nipple; 3/4"x3"; Plastic Lined	10	17570	Ring, Snap-In
4	17560	Anode Rod Cap	11	21575	Aquastat L4080B-1352

MODEL 50CT - OBSOLETE					
#	ITEM NO.	DESCRIPTION	#	ITEM NO.	DESCRIPTION
1	15010	Magnesium Anode Rod; 3/4"x30"	6	21780	T&P Relief Valve; 3/4 LL100XL
1	15005-30	Aluminium Anode Rod; 3/4"x30" - Opt.	7	15590	Drain Valve; 3/4"x2-1/4"
1	15110	Linked Anode Rod; 3/4"x30" - Opt.	9	21605	Well-PNW-3SE 2.5PL (use w/21575)
2	15355	Dip Tube; 3/4"x3"x44"	10	17570	Ring, Snap-In
3	15370	Nipple; 3/4"x3"; Plastic Lined	11	21290	Aquastat - 74T21 (replaced by 21575)
4	17560	Anode Rod Cap	11	21575	Aquastat L4080B-1352
5	17540	Leak Detector Fitting			

MODEL 80CT - OBSOLETE					
#	ITEM NO.	DESCRIPTION	#	ITEM NO.	DESCRIPTION
1	15020	Magnesium Anode Rod; 3/4"x36"	6	21790	T&P Relief Valve; 140X5 (use w/15370)
1	15005-36	Aluminium Anode Rod; 3/4"x36" - Opt.	7	15590	Drain Valve; 3/4"x2-1/4"
1	15120	Linked Anode Rod; 3/4"x36" - Opt.	8	15310	Cold Water Inlet; 1"x1-1/2"
3	15370	Nipple; 3/4"x3"; Plastic Lined	9	21605	Well-PNW-3SE 2.5PL (use w/21575)
3A	15335	Nipple; 1-1/2"x4"; Plastic Lined	11	21575	Aquastat L4080B-1352
4	17560	Anode Rod Cap	12	17170	Steel Ring; 4-3/4"
5	17540	Leak Detector Fitting	13	17230	Steel Ring; 5-3/8"

MODEL 119CT - OBSOLETE					
#	ITEM NO.	DESCRIPTION	#	ITEM NO.	DESCRIPTION
1	15040	Magnesium Anode Rods; 3/4"x40"	6	21790	T&P Relief Valve; 140X5 (use w/15370)
1	15005-36	Aluminium Anode Rod; 3/4"x36" - Opt.	7	15590	Drain Valve; 3/4"x2-1/4"
1	15130	Linked Anode Rods; 3/4"x40" - Opt.	8	15310	Cold Water Inlet; 1"x1-1/2"
3	15370	Nipple; 3/4"x3"; Plastic Lined	9	21605	Well-PNW-3SE 2.5PL (use w/21575)
3A	15335	Nipple; 1-1/2"x4"; Plastic Lined	11	21575	Aquastat L4080B-1352
4	17560	Anode Rod Caps	12	17170	Steel Ring; 4-3/4"
5	17540	Leak Detector Fitting	13	17230	Steel Ring; 5-3/8"

Storage Tanks



Bock Parts List
Effective April 1, 2009
(Prices Subject to Change Without Notice)

STORAGE TANKS

MODEL 20ST					
#	ITEM NO.	DESCRIPTION	#	ITEM NO.	DESCRIPTION
1	15050	Magnesium Anode Rod; 3/4"x20"	5	17540	Leak Detector Fitting
1	15005-20	Aluminium Anode Rod; 3/4"x20" - Opt.	6	15330	Nipple; 1"x3"; Plastic Lined
2	17560	Anode Rod Cap	6	15370	Nipple 3/4"x3"; Plastic Lined
3	17565	Plain Cap	11	15590	Drain Valve; 3/4"x2-1/4"

MODEL 30ST					
#	ITEM NO.	DESCRIPTION	#	ITEM NO.	DESCRIPTION
1	15010	Magnesium Anode Rod; 3/4"x30"	4	15340	Nipple; 2"x5"; Plastic Lined
1	15005-30	Aluminium Anode Rod; 3/4"x30" - Opt.	5	17535	Leak Detector Fitting
1	15110	Linked Anode Rod; 3/4"x30" - Opt.	10	17230	Steel Ring; 5-3/8"
2	17560	Anode Rod Cap	11	15590	Drain Valve; 3/4"x2-1/4"
3	17565	Plain Cap			

MODEL 50ST					
#	ITEM NO.	DESCRIPTION	#	ITEM NO.	DESCRIPTION
1	15020	Magnesium Anode Rod; 3/4"x36"	4	15340	Nipple; 2"x5"; Plastic Lined
1	15005-36	Aluminium Anode Rod; 3/4"x36" - Opt.	5	17535	Leak Detector Fitting
1	15110	Linked Anode Rod; 3/4"x30" - Opt.	10	17230	Steel Ring; 5-3/8"
2	17560	Anode Rod Cap	11	15590	Drain Valve; 3/4"x2-1/4"
3	17565	Plain Cap			

MODEL 80ST					
#	ITEM NO.	DESCRIPTION	#	ITEM NO.	DESCRIPTION
1	15040	Magnesium Anode Rod; 3/4"x40"	4	15340	Nipple; 2"x5"; Plastic Lined
1	15005-36	Aluminium Anode Rod; 3/4"x36" - Opt.	5	17540	Leak Detector Fitting
1	15130	Linked Anode Rod; 3/4"x40" - Opt.	10	17230	Steel Ring; 5-3/8"
2	17560	Anode Rod Cap	11	15590	Drain Valve; 3/4"x2-1/4"
3	17565	Plain Cap			

MODEL 119ST - 2"					
#	ITEM NO.	DESCRIPTION	#	ITEM NO.	DESCRIPTION
1	15040	Magnesium Anode Rod; 3/4"x40"	4	15340	Nipple; 2"x5"; Plastic Lined
1	15005-36	Aluminium Anode Rod; 3/4"x36" - Opt.	5	17540	Leak Detector Fitting
1	15130	Linked Anode Rod; 3/4"x40" - Opt.	10	17230	Steel Ring; 5-3/8"
2	17560	Anode Rod Cap	11	15590	Drain Valve; 3/4"x2-1/4"
3	17565	Plain Cap			

MODEL 119ST - 2-1/2"					
#	ITEM NO.	DESCRIPTION	#	ITEM NO.	DESCRIPTION
1	15040	Magnesium Anode Rod; 3/4"x40"	4	15255	Nipple; 2-1/2"x6"; Plastic Lined
1	15005-36	Aluminium Anode Rod; 3/4"x36" - Opt.	5	17540	Leak Detector Fitting
1	15130	Linked Anode Rod; 3/4"x40" - Opt.	10	17230	Steel Ring; 5-3/8"
2	17560	Anode Rod Cap	11	15590	Drain Valve; 3/4"x2-1/4"
3	17565	Plain Cap			

Bock Parts List
Effective April 1, 2009
(Prices Subject to Change Without Notice)

STORAGE TANKS

ASME - VERTICAL - MODEL 80ST-AH					
#	ITEM NO.	DESCRIPTION	#	ITEM NO.	DESCRIPTION
1	15040	Magnesium Anode Rod; 3/4"x40"	5	17540	Leak Detector Fitting
1	15005-36	Aluminium Anode Rod; 3/4"x36" - Opt.	8	15570	Oval Gasket
1	15130	Linked Anode Rod; 3/4"x40" - Opt.	9	17065	Hand Hole Assembly (use w/15570)
2	17560	Anode Rod Cap	10	17230	Steel Ring; 5-3/8"
3	17565	Plain Cap	11	15590	Drain Valve; 3/4"x2-1/4"
4	15340	Nipple; 2"x5"; Plastic Lined			

ASME - VERTICAL - MODEL 119ST-AH					
#	ITEM NO.	DESCRIPTION	#	ITEM NO.	DESCRIPTION
1	15045	Magnesium Anode Rod; 3/4"x40"	5	17540	Leak Detector Fitting
1	15005-36	Aluminium Anode Rod; 3/4"x36" - Opt.	8	15570	Oval Gasket
1	15130	Linked Anode Rod; 3/4"x40" - Opt.	9	17065	Hand Hole Assembly (use w/15570)
2	17560	Anode Rod Cap	10	17230	Steel Ring; 5-3/8"
3	17565	Plain Cap	11	15590	Drain Valve; 3/4"x2-1/4"
4	15340	Nipple; 2"x5"; Plastic Lined			

ASME - VERTICAL - MODEL 200ST-GA					
#	ITEM NO.	DESCRIPTION	#	ITEM NO.	DESCRIPTION
1	15100	Magnesium Anode Rods; 1"x60"	9	17065	Hand Hole Assembly (use w/15570)
4	15340	Nipple; 2"x5"; Plastic Lined	10	17170	Steel Ring; 4-3/4"
7	21785	T&P Relief Valve; 140"x6"	11	15590	Drain Valve; 3/4"x2-1/4"
8	15570	Oval Gasket			

ASME - VERTICAL - MODEL 350ST-GA					
#	ITEM NO.	DESCRIPTION	#	ITEM NO.	DESCRIPTION
1	15100	Magnesium Anode Rods; 1"x60"	9	17065	Hand Hole Assembly (use w/15570)
4	15340	Nipple; 2"x5"; Plastic Lined	10	17170	Steel Ring; 4-3/4"
6	15330	Nipple; 1"x3"; Plastic Lined	10	17200	Steel Ring; 4"
7	21785	T&P Relief Valve; 140"x6" (Use w/15330)	10	17230	Steel Ring; 5-3/8"
8	15570	Oval Gasket	11	15590	Drain Valve; 3/4"x2-1/4"

Bock Parts List
Effective April 1, 2009
(Prices Subject to Change Without Notice)

STORAGE TANKS

ASME - HORIZONTAL - MODEL 200ST-GA-M					
#	ITEM NO.	DESCRIPTION	#	ITEM NO.	DESCRIPTION
1	15090	Magnesium Anode Rod; 1"x40"	7	21785	T&P Relief Valve; 140"x6"

ASME - HORIZONTAL - MODEL 350ST-GA-M					
#	ITEM NO.	DESCRIPTION	#	ITEM NO.	DESCRIPTION
1	15090	Magnesium Anode Rod; 1"x40"	7	21785	T&P Relief Valve; 140"x6"

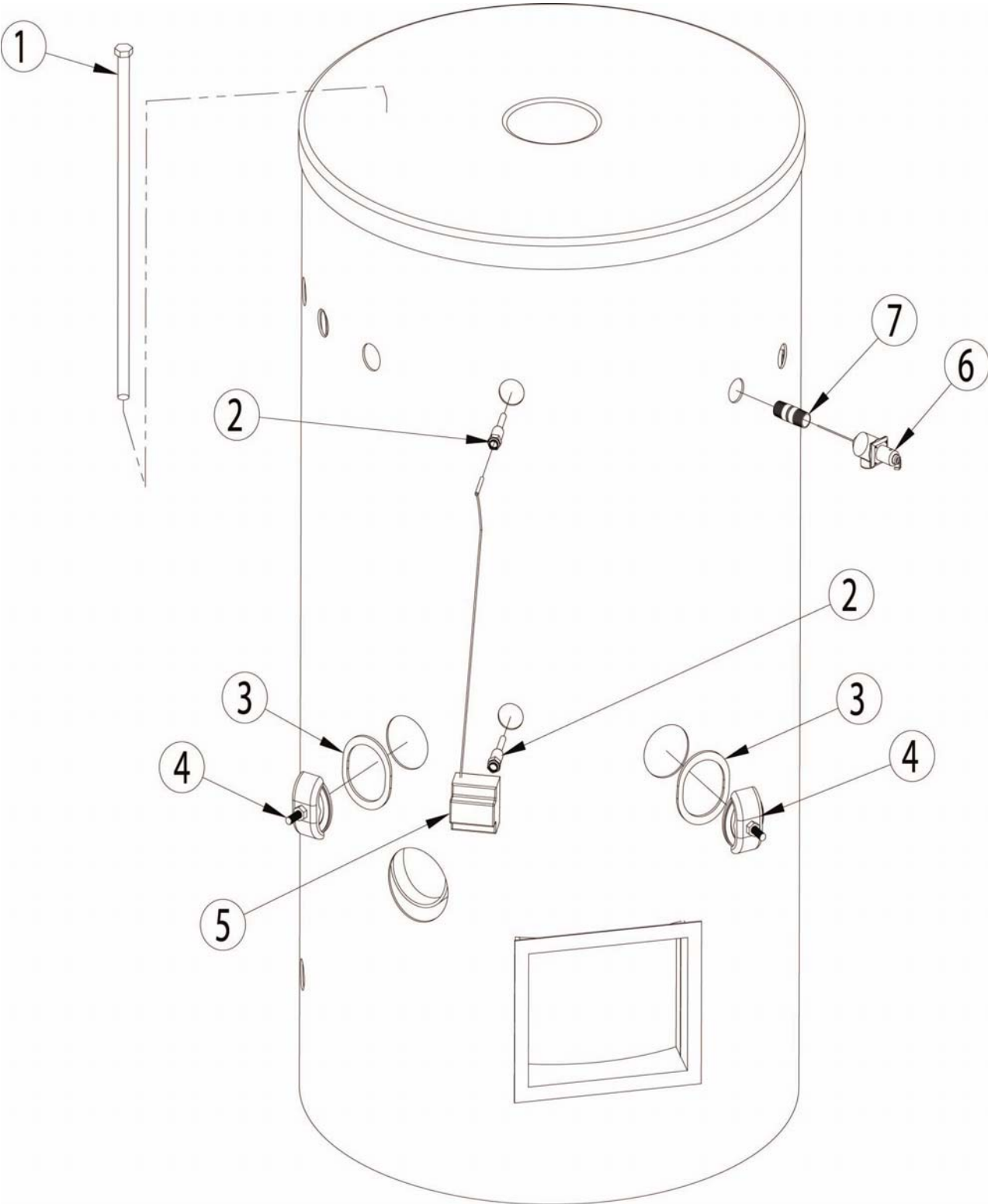
ASME - HORIZONTAL - MODEL 400ST-GA-M					
#	ITEM NO.	DESCRIPTION	#	ITEM NO.	DESCRIPTION
1	15090	Magnesium Anode Rod; 1"x40"	7	21785	T&P Relief Valve; 140"x6"

ASME - HORIZONTAL - MODEL 500ST-GA-M					
#	ITEM NO.	DESCRIPTION	#	ITEM NO.	DESCRIPTION
1	15090	Magnesium Anode Rod; 1"x40"	7	21785	T&P Relief Valve; 140"x6"
4	15340	Nipple; 2"x5"; Plastic Lined			

ASME - HORIZONTAL - MODEL 750ST-GA-M					
#	ITEM NO.	DESCRIPTION	#	ITEM NO.	DESCRIPTION
1	15090	Magnesium Anode Rod; 1"x40"	7	21785	T&P Relief Valve; 140"x6"

ASME - HORIZONTAL - MODEL 1000ST-GA-M					
#	ITEM NO.	DESCRIPTION	#	ITEM NO.	DESCRIPTION
1	15090	Magnesium Anode Rod; 1"x40"	7	21785	T&P Relief Valve; 140"x6"

Multiflue Oil-Fired(E), Power Gas(G), and Dual Fuel (DF)



Bock Parts List
Effective April 1, 2009
(Prices Subject to Change Without Notice)

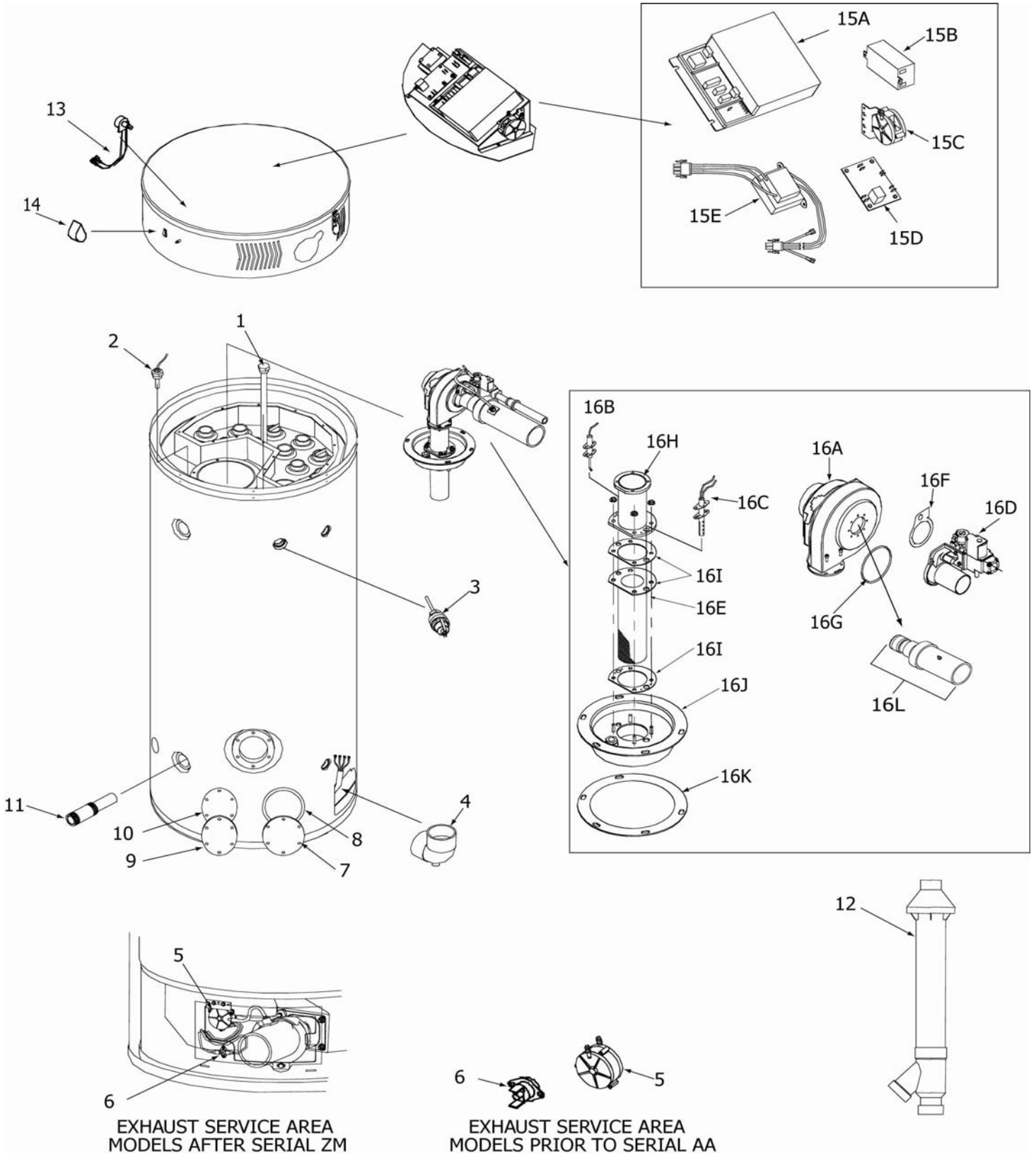
Multiflue Oil-Fired (E), Power Gas (G) and Dual Fuel (DF)

MODEL 150-400, 150-600, 150-800 E, G & DF					
#	ITEM NO.	DESCRIPTION	#	ITEM NO.	DESCRIPTION
1	15090	Magnesium Anode Rod; 1"x40"	4	17065	Hand Hole Assembly (use w/15570)
1	15100	Magnesium Anode Rod; 1"x60"	5	21377	Carlin Harness, EZT 36 (90300B)
2	21587	Carlin Well Assembly 98861BS	6	21785	T&P Relief Valve; 140"x6"
3	15570	Oval Gasket ASME (use w/17065)	7	15330	Nipple; 1"x3"; Plastic Lined

MODEL 200-450, 200-650, 200-850, 200-1150, E, G & DF					
#	ITEM NO.	DESCRIPTION	#	ITEM NO.	DESCRIPTION
1	15090	Magnesium Anode Rod; 1"x40"	4	17065	Hand Hole Assembly (use w/15570)
1	15100	Magnesium Anode Rod; 1"x60"	5	21377	Carlin Harness, EZT 36 (90300B)
2	21587	Carlin Well Assembly 98861BS	6	21785	T&P Relief Valve; 140"x6"
3	15570	Oval Gasket ASME (use w/17065)	7	15330	Nipple; 1"x3"; Plastic Lined

MODEL 250-800, 250-1000, 250-1250, 250-1500, E, G & DF					
#	ITEM NO.	DESCRIPTION	#	ITEM NO.	DESCRIPTION
1	15090	Magnesium Anode Rod; 1"x40"	4	17065	Hand Hole Assembly (use w/15570)
1	15100	Magnesium Anode Rod; 1"x60"	5	21377	Carlin Harness, EZT 36 (90300B)
2	21587	Carlin Well Assembly 98861BS	6	21785	T&P Relief Valve; 140"x6"
3	15570	Oval Gasket ASME (use w/17065)	7	15330	Nipple; 1"x3"; Plastic Lined

Commercial Gas High Efficiency Condensing/Lo-Nox Energy Saver Series

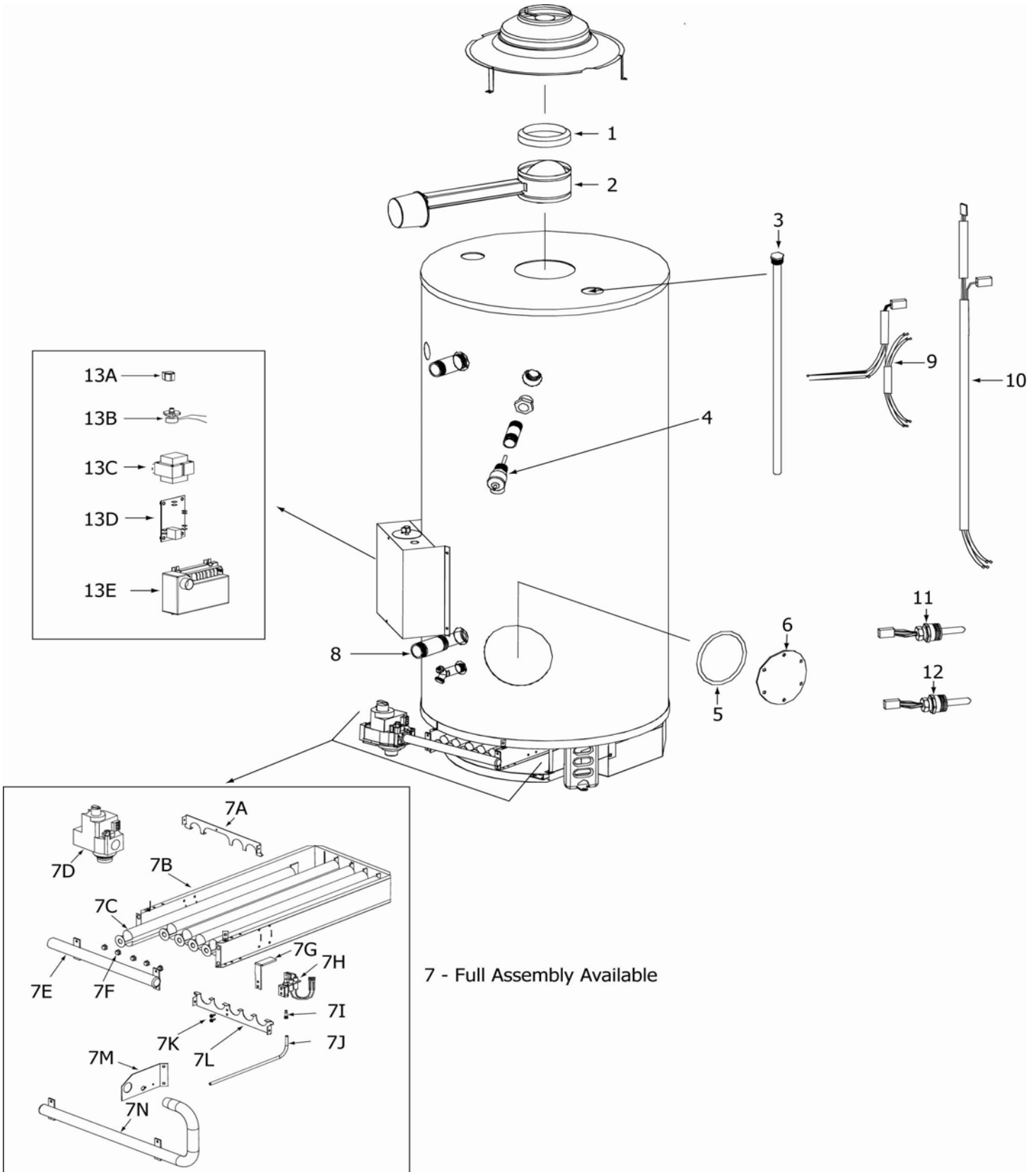


Bock Parts List
Effective April 1, 2009
(Prices Subject to Change Without Notice)

Commercial Gas
High Efficiency Condensing/Lo-Nox
Energy Saver Series

100HEC-150, 100HEC-199, 100HEC-250, 100HEC-300, 100HEC-399 (NG, LP, Standard & ASME)					
#	ITEM NO.	DESCRIPTION	#	ITEM NO.	DESCRIPTION
1	32065	224-32758-30 Magnesium Anode Rod	16D	32200	243-43368-01 Gas Valve Assembly (199N Prior to S/N CH8129544)
1	32190	224-38508-07 Aluminum Anode Rod (Opt.)			
1	32090	224-46075-00 Power Anode Rod (Opt.)	16D	32205	243-46008-02 Gas Valve Assembly (199LP S/N CH8129544 & After)
2	32060	239-82034-00 Lower Temperature Sensor			
2	32085	239-82033-00 Upper Temperature Sensor	16D	32210	243-43757-01 Gas Valve Assembly (199LP Prior to S/N CH8129544)
3	32100	230-30246-00 T&P Valve (150-199)			
3	32110	230-33630-04 T&P Valve (250-399)	16D	32215	243-46007-03 Gas Valve Assembly (250N S/N CH8129547 & After)
4	35107	239-43211-00 Condensate Tee			
5	32105	239-46037-01 Exhaust Pressure Switch (S/N After CE7818523)	16D	32216	243-43368-03 Gas Valve Assembly (250N & 300N Prior to S/N CH8129547)
6	32125	239-43238-02 Resettable Limit Switch	16D	32220	243-46007-04 Gas Valve Assembly (300N S/N CJ8189532 & After)
7	32175	205-18428-00 Cleanout Cover			
8	32070	205-18427-00 Cleanout Gasket	16D	32225	243-46008-03 Gas Valve Assembly (250LP S/N CH8129547 & After)
9	32180	205-32941-00 Cleanout Cover (ASME)			
10	32075	205-32942-00 Cleanout Gasket (ASME)	16D	32230	243-43757-03 Gas Valve Assembly (250LP & 300LP Prior to S/NCH8129547)
Cat#	32185	229-44375-00 Hydrojet Inlet Tube			
12	35105	239-44069-01 3" Concentric Vent Term.	16D	32235	243-46008-04 Gas Valve Assembly (300LP S/N CJ8233356 & After)
13	32115	233-82054-00 Potentiometer Temp Control			
14	32120	239-43235-00 Knob - Temperature Control	16D	32145	243-46151-01 Gas Valve Assembly (399N)
15A	32150	233-46045-00 Electronic Control Module	16D	32240	243-46151-02 Gas Valve Assembly (399LP)
15B	32170	239-46229-00 Potentiostat for Power Anode (399)	16E	32245	265-45624-00 Burner Tube w-Gasket (199)
15C	32165	239-44724-01 Vacuum Switch Intake (Prior to S/N CE7818523)	16E	32250	265-46019-00 Burner Tube w-Gasket (250-399)
			16F	32255	239-44654-00 Gas Venturi to Blower (199-300)
15D	32155	233-41346-00 Thermostat Board	16G	32260	239-46232-00 O-Ring Venturi to Blower (399)
15E	32160	233-43346-00 Transformer	16H	32270	239-43201-00 Weldment-Blower Transition
16A	32135	265-43229-00 Blower	16I	32275	239-43246-00 Burner Mounting Gasket
16A	32140	265-46098-00 Blower (399)	16J	32280	239-43167-00 Burner Mounting Insert
16B	32020	265-43232-00 Flame Sensor w/Gasket	16K	32285	239-43197-00 Gasket-Burner Mounting Insert
16C	32130	265-45543-00 Hot Surface Ignitor w/Gasket	16L	32290	239-46147-00 Air Inlet Piping Assembly (399)
16D	32195	243-46007-02 Gas Valve Assembly (199N S/N CH8129544 & After)			

Commercial Gas Energy Saver Series Not 66W-625 or 80W-725



Bock Parts List
Effective April 1, 2009
(Prices Subject to Change Without Notice)

Commercial Gas - Energy Saver Series

38W-155					
#	ITEM NO.	DESCRIPTION	#	ITEM NO.	DESCRIPTION
2	32045	265-42973-00 6" Flue Damper Assembly	7F	32480	234-06016-44 NG Main Burner Orifice (8001 ft and above)
3	32375	224-32758-27 Magnesium Anode Rod			
3	32380	224-38508-09 Aluminum Anode Rod (Opt.)	7F	32500	234-06016-52 LP Main Burner Orifice
3	32520	224-38508-02 Aluminum Anode Rod (Opt.)	7F	32505	234-06016-1/16 LP Main Burner Orifice (2000 ft - 5000 ft)
4	32100	230-30246-00 T&P Relief Valve			
5	32075	205-32942-00 Cleanout Gasket (ASME)	7F	32510	234-06016-53 LP Main Burner Orifice (5001 ft and above)
5	32070	205-18427-00 Cleanout Gasket			
6	32175	205-18428-00 Cleanout Cover	7G	32435	239-41333-00 Pilot Shield
7	32455	243-39205-18 NG Burner Assembly	7H	32000	233-41323-01 NG Pilot Assembly
7	32460	243-42563-05 LNOx Burner Assembly	7H	32005	233-41323-02 LP Pilot Assembly
7	32490	243-39205-04 LP Burner Assembly	7I	32485	233-41606-01 NG Pilot Orifice
7A	32405	239-39419-00 Draft Panel	7I	32515	233-41606-02 LP Pilot Orifice
7B	32410	239-81969-01 Burner Rack Only	7J	32440	233-80361-05 Aluminum Pilot Tube
7C	32415	228-39177-00 Burner Tube - Standard	7K	32445	239-11706-00 Pilot Mounting Screw
7C	32420	228-42490-00 Burner Tube - LONx	7L	32450	239-45180-00 Burner Support
7C	32425	228-81964-00 Burner Tube - Stainless	8	32335	229-44731-00 Cold Water Inlet Nipple
7D	32040	222-80830-02 NG Gas Valve	9	32390	239-44561-01 Gas Valve Harness & Sensor (S/N Prior to BK)
7D	32495	222-80831-02 LP Gas Valve			
7E	32430	233-39170-00 Burner Manifold	9	32385	239-44586-01 Gas Valve Harness & Sensor (S/N BK & After)
7F	32465	234-06016-73 NG Main Burner Orifice			
7F	32470	234-06016-42 Main Burner Orifice (2000 ft - 5000 ft)	10	32395	239-44558-01 Damper Harness
			11	32060	239-82034-00 Temperature Sensor
7F	32475	234-06016-43 NG Main Burner Orifice (5001 ft - 8000 ft)			

66W-370 and 66W-399					
#	ITEM	DESCRIPTION	#	ITEM	DESCRIPTION
2	32050	265-42974-00 8" Flue Damper Assembly	7F	32635	234-06016-32 NG Main Burner Orifice (399)
3	32295	224-32758-29 Magnesium Anode Rod	7F	32640	234-06016-35 NG Main Burner Orifice (2000 ft - 5000 ft - 399)
3	32525	224-38508-01 Aluminum Anode Rod (Opt.)			
4	32110	230-33630-04 T&P Relief Valve	7F	32645	234-06016-37 NG Main Burner Orifice (5001 ft - 8001 ft - 399)
5	32070	205-18427-00 Cleanout Gasket			
6	32175	205-18428-00 Cleanout Cover	7F	32585	234-06016-38 NG Main Burner Orifice (8001 ft and above - 399)
6	32180	205-32941-00 Cleanout Cover (ASME)			
7	32565	243-39322-01 NG Burner Assembly (370)	7G	32435	239-41333-00 Pilot Shield
7	32570	243-42558-01 LNOx Burner Assembly (370)	7H	32000	233-41323-01 NG Pilot Assembly
7	32595	243-39322-02 LP Burner Assembly (370)	7H	32005	233-41323-02 LP Pilot Assembly (370)
7	32625	243-39322-03 NG Burner Assembly (399)	7I	32485	233-41606-01 NG Pilot Orifice
7	32630	243-42558-02 LNOx Burner Assembly (399)	7I	32515	233-41606-02 LP Pilot Orifice (370)
7A	32545	239-39421-00 Draft Panel	7J	32555	233-80361-01 Aluminum Pilot Tube
7B	32550	239-81969-03 Burner Rack Only	7K	32445	239-11706-00 Pilot Mounting Screw
7C	32415	228-39177-00 Burner Tube - Standard	7L	32560	239-39259-00 Burner Support
7C	32420	228-42490-00 Burner Tube - LNOx	7M	32615	239-81816-02 Manifold Sprt Bracket (370)
7C	32425	228-81964-00 Burner Tube - Stainless	7N	32620	233-39173-00 Burner Manifold (370)
7D	32035	222-81608-03 Dual/NG Gas Valve	8	32335	229-44731-00 Cold Water Inlet Nipple
7D	32495	222-80831-02 LP Gas Valve (370)	9	32530	239-44587-01 Gas Valve Harness & Lower Sensor (S/N BK & After)
7F	32575	234-06016-33 NG Main Burner Orifice (370)			
7F	32580	234-06016-36 NG Main Burner Orifice (2000 ft - 5000 ft - 370)	9	32390	239-44561-01 Gas Valve Harness & Sensor (S/N Prior to BK)
7F	32585	234-06016-38 NG Main Burner Orifice (5001 ft - 8001 ft - 370)	10	32535	239-44559-02 Upper Sensor & Damper Harness (S/N BK & After)
7F	32590	234-06016-39 NG Main Burner Orifice (8001 ft and above - 370)	10	32540	239-43116-01 Upper Sensor & Damper Harness (S/N Prior to BK)
7F	32600	234-06016-49 LP Main Burner Orifice (370)	11	32060	239-82034-00 Lower Thermostat Sensor
7F	32605	234-06016-50 LP Main Burner Orifice (2000 ft - 5000 ft - 370)	12	32085	239-82033-00 Upper Thermostat Sensor
7F	32610	234-06016-51 LP Main Burner Orifice (5001 ft and above - 370)			

Bock Parts List
Effective April 1, 2009
(Prices Subject to Change Without Notice)

Commercial Gas - Energy Saver Series

75W-125, 75W-160, 75W-300					
#	ITEM NO.	DESCRIPTION	#	ITEM NO.	DESCRIPTION
1	32650	239-81980-00 Flue Damper Reducer (125-160)	7F	32480	234-06016-44 NG Main Burner Orifice (8001 ft and above - 160)
2	32655	265-43112-00 Flue Damper with Adaptor Harness & Reducer (125-160)	7F	32500	234-06016-52 LP Main Burner Orifice (160)
			7F	32505	234-06016-1/16 LP Main Burner Orifice (2000 ft - 5000 ft - 160)
2	32050	265-42974-00 8" Flue Damper Asbly (300)			
3	32660	224-32758-15 Magnesium Anode Rod	7F	32510	234-06016-53 LP Main Burner Orifice (5001 ft and above - 160)
3	32300	224-38508-03 Aluminum Anode Rod (Opt.)			
4	32100	230-30246-00 T&P Relief Valve (125-160)	7F	32635	234-06016-32 NG Main Burner Orifice (300)
4	32110	230-33630-04 T&P Relief Valve (300)	7F	32580	234-06016-36 NG Main Burner Orifice (2000 ft - 5000 ft - 300)
5	32070	205-18427-00 Cleanout Gasket			
6	32175	205-18428-00 Cleanout Cover	7F	32645	234-06016-37 NG Main Burner Orifice (5001 ft - 8001 ft - 300)
6	32180	205-32941-00 Cleanout Cover (ASME)			
7	32690	243-39334-01 NG Burner Assembly (125)	7F	32585	234-06016-38 NG Main Burner Orifice (8001 ft and above - 300)
7	32695	243-42559-01 LNOx Burner Assembly (125)			
7	32700	243-39334-02 LP Burner Assembly (125)	7F	32705	234-06016-48 LP Main Burner Orifice (300)
7	32710	243-39205-03 NG Burner Assembly (160)	7F	32605	234-06016-50 LP Main Burner Orifice (2000 ft - 5000 ft - 300)
7	32715	243-42563-01 LNOx Burner Assembly (160)			
7	32490	243-39205-04 LP Burner Assembly (160)	7F	32610	234-06016-51 LP Main Burner Orifice (5001 ft and above - 300)
7	32745	243-39343-01 NG Burner Assembly (300)			
7	32750	243-42560-01 LONx Burner Assembly (300)	7G	32435	239-41333-00 Pilot Shield
7	32755	243-39343-02 LP Burner Assembly (300)	7H	32000	233-41323-01 NG Pilot Assembly
7A	32405	239-39419-00 Draft Panel (125-160)	7H	32005	233-41323-02 LP Pilot Assembly
7A	32720	239-39420-00 Draft Panel (300)	7I	32485	233-41606-01 NG Pilot Orifice
7B	32680	243-82107-00 Burner Rack Only (125)	7I	32515	233-41606-02 LP Pilot Orifice
7B	32410	239-81969-01 Burner Rack Only (160)	7J	32440	233-80361-05 Alum Pilot Tube (125-160)
7B	32725	239-81969-02 Burner Rack Only (300)	7J	32555	233-80361-01 Alum Pilot Tube (300)
7C	32415	228-39177-00 Burner Tube - Standard	7K	32445	239-11706-00 Pilot Mounting Screw
7C	32420	228-42490-00 Burner Tube - LONx	7L	32450	239-45180-00 Burner Support (125-160)
7C	32425	228-81964-00 Burner Tube - Stainless	7L	32740	239-45181-00 Burner Support (300)
7D	32040	222-80830-02 NG Gas Valve	7M	32730	239-81816-03 Manifold Spr Bracket (300)
7D	32495	222-80831-02 LP Gas Valve	7N	32735	239-39172-00 Burner Manifold (300)
7E	32685	233-39174-00 Burner Manifold (125)	8	32335	229-44731-00 Cold Water Inlet Nipple
7E	32430	233-39170-00 Burner Manifold (160)	9	32665	239-44587-02 Gas Valve Harness/Sensor (S/N BK & After - 125-160)
7F	32575	234-06016-33 NG Main Burner Orifice (125)			
7F	32580	234-06016-36 NG Main Burner Orifice (2000 ft - 5000 ft - 125)	9	32530	239-44587-01 Gas Valve Harness Lower Sensor (S/N BK & After - 300)
7F	32585	234-06016-38 NG Main Burner Orifice (5001 ft - 8000 ft - 125)	9	32390	239-44561-01 Gas Valve Harness/Sensor (S/N Prior to BK)
7F	32590	234-06016-39 NG Main Burner Orifice (8001 ft and above - 125)	10	32670	239-44558-02 Damper Harness (S/N BK & After - 125-160)
7F	32705	234-06016-48 LP Main Burner Orifice (125)	10	32675	239-43115-02 Damper Harness (S/N Prior to BK - 125-160)
7F	32605	234-06016-50 LP Main Burner Orifice (2000 ft - 5000 ft - 125)	10	32535	239-44559-02 Upper Sensor/Damper Harness (S/N BK & After - 300)
7F	32610	234-06016-51 LP Main Burner Orifice (5001 ft and above - 125)	10	32540	239-43116-01 Upper Sensor/Damper Harness (S/N Prior to BK - 300)
7F	32590	234-06016-39 NG Main Burner Orifice (160)			
7F	32470	234-06016-42 NG Main Burner Orifice (2000 ft - 5000 ft - 160)	11	32060	239-82034-00 Lower Thermostat Sensor
7F	32475	234-06016-43 NG Main Burner Orifice (5001 ft - 8000 ft - 160)	12	32085	239-82033-00 Upper Thermostat Sensor (300)

Bock Parts List
Effective April 1, 2009
(Prices Subject to Change Without Notice)

Commercial Gas - Energy Saver Series

80W-180					
#	ITEM NO.	DESCRIPTION	#	ITEM NO.	DESCRIPTION
2	32045	265-42973-00 6" Flue Damper Assembly	7F	32605	234-06016-50 LP Main Burner Orifice
3	32295	224-32758-29 Magnesium Anode Rod	7F	32610	234-06016-51 LP Main Burner Orifice (2000 ft - 5000 ft)
3	32525	224-38508-01 Aluminum Anode Rod (Opt)			
4	32100	230-30246-00 T&P Relief Valve	7F	32505	234-06016-1/16 LP Main Burner Orifice (5001 ft and above)
5	32070	205-18427-00 Cleanout Gasket			
6	32175	205-18428-00 Cleanout Cover	7G	32435	239-41333-00 Pilot Shield
7	32770	243-39205-07 NG Burner Assembly	7H	32000	233-41323-01 NG Pilot Assembly
7	32775	243-42563-03 LNOx Burner Assembly	7H	32005	233-41323-02 LP Pilot Assembly
7	32780	243-39205-08 LP Burner Assembly	7I	32485	233-41606-01 NG Pilot Orifice
7A	32405	239-39419-00 Draft Panel	7I	32515	233-41606-02 LP Pilot Orifice
7B	32410	239-81969-01 Burner Rack Only	7J	32440	233-80361-05 Aluminum Pilot Tube
7C	32415	228-39177-00 Burner Tube - Standard	7K	32445	239-11706-00 Pilot Mounting Screw
7C	32420	228-42490-00 Burner Tube - LNOx	7L	32450	239-45180-00 Burner Support
7C	32425	228-81964-00 Burner Tube - Stainless	8	32335	229-44731-00 Cold Water Inlet Nipple
7D	32040	222-80830-02 NG Gas Valve	9	32390	239-44561-01 Gas Valve Harness/Sensor
7D	32495	222-80831-02 LP Gas Valve	10	32765	239-44559-04 Upper Sensor & Damper Harness (S/N BK & After)
7E	32430	233-39170-00 Burner Manifold			
7F	32645	234-06016-37 NG Main Burner Orifice	10	32540	239-43116-01 Upper Sensor & Damper Harness (S/N Prior to BK)
7F	32590	234-06016-39 NG Main Burner Orifice (2000 ft - 5000 ft)			
7F	32470	234-06016-42 NG Main Burner Orifice (5001 ft and above)	11	32060	239-82034-00 Temperature Sensor
			12	32085	239-82033-00 Upper Temperature Sensor

80W-199					
#	ITEM NO.	DESCRIPTION	#	ITEM NO.	DESCRIPTION
2	32045	265-42973-00 6" Flue Damper Assembly	7F	32600	234-06016-49 LP Main Burner Orifice
3	32295	224-32758-29 Magnesium Anode Rod	7F	32605	234-06016-50 LP Main Burner Orifice (2000 ft - 5000 ft)
3	32525	224-38508-01 Aluminum Anode Rod (Opt.)			
4	32100	230-30246-00 T&P Relief Valve	7F	32610	234-06016-51 LP Main Burner Orifice (5001 ft - 8001 ft)
5	32070	205-18427-00 Cleanout Gasket			
6	32175	205-18428-00 Cleanout Cover	7F	32500	234-06016-52 LP Main Burner Orifice (8001 ft and above)
7	32785	243-39205-05 NG Burner Assembly	7G	32435	239-41333-00 Pilot Shield
7	32790	243-42563-02 LONx Burner Assembly	7H	32000	233-41323-01 NG Pilot Assembly
7	32800	243-39205-06 LP Burner Assembly	7H	32005	233-41323-02 LP Pilot Assembly
7A	32405	239-39419-00 Draft Panel	7I	32485	233-41606-01 NG Pilot Orifice
7B	32410	239-81969-01 Burner Rack Only	7I	32515	233-41606-02 LP Pilot Orifice
7C	32415	228-39177-00 Burner Tube - Standard	7J	32440	233-80361-05 Aluminum Pilot Tube
7C	32420	228-42490-00 Burner Tube - LONx	7K	32445	239-11706-00 Pilot Mounting Screw
7C	32425	228-81964-00 Burner Tube - Stainless	7L	32450	239-45180-00 Burner Support
7D	32040	222-80830-02 NG Gas Valve	8	32335	229-44731-00 Cold Water Inlet Nipple
7D	32495	222-80831-02 LP Gas Valve	9	32390	239-44561-01 Gas Valve Harness/Sensor
7E	32430	233-39170-00 Burner Manifold	10	32765	239-44559-04 Upper Sensor & Damper Harness (S/N BK & After)
7F	32640	234-06016-35 NG Main Burner Orifice			
7F	32645	234-06016-37 NG Main Burner Orifice (2000 ft - 5000 ft)	10	32540	239-43116-01 Upper Sensor & Damper Harness (S/N sPrior to BK)
7F	32590	234-06016-39 NG Main Burner Orifice (5001 ft - 8001 ft)			
7F	32795	234-06016-40 NG Main Burner Orifice (8001 ft and above)	11	32060	239-82034-00 Temperature Sensor
			12	32085	239-82033-00 Upper Temperature Sensor

Bock Parts List
Effective April 1, 2009
(Prices Subject to Change Without Notice)

Commercial Gas - Energy Saver Series

80W-250					
#	ITEM NO.	DESCRIPTION	#	ITEM NO.	DESCRIPTION
2	32045	265-42973-00 6" Flue Damper Assembly	7F	32605	234-06016-50 LP Main Burner Orifice
3	32295	224-32758-29 Magnesium Anode Rod	7F	32500	234-06016-52 LP Main Burner Orifice (2000 ft - 5000 ft)
3	32525	224-38508-01 Aluminum Anode Rod (Opt)			
4	32110	230-33630-04 T&P Relief Valve	7F	32505	234-06016-1/16 LP Main Burner Orifice (5001 ft - 8001 ft)
5	32070	205-18427-00 Cleanout Gasket			
6	32175	205-18428-00 Cleanout Cover	7F	32510	234-06016-53 LP Main Burner Orifice (8001 ft and above)
6	32180	205-32941-00 Cleanout Cover (ASME)			
7	32810	243-81743-03 NG Burner Assembly	7G	32435	239-41333-00 Pilot Shield
7	32790	243-42563-02 LONx Burner Assembly	7H	32000	233-41323-01 NG Pilot Assembly
7	32815	243-81743-06 LP Burner Assembly	7H	32005	233-41323-02 LP Pilot Assembly
7A	32720	239-39420-00 Draft Panel	7I	32485	233-41606-01 NG Pilot Orifice
7B	32725	239-81969-02 Burner Rack Only	7I	32515	233-41606-02 LP Pilot Orifice
7C	32415	228-39177-00 Burner Tube - Standard	7J	32555	233-80361-01 Aluminum Pilot Tube
7C	32420	228-42490-00 Burner Tube - LONx	7K	32445	239-11706-00 Pilot Mounting Screw
7C	32425	228-81964-00 Burner Tube - Stainless	7L	32740	239-45181-00 Burner Support
7D	32040	222-80830-02 NG Gas Valve	8	32335	229-44731-00 Cold Water Inlet Nipple
7D	32495	222-80831-02 LP Gas Valve	9	32390	239-44561-01 Gas Valve Harness/Sensor
7E	32805	233-81725-00 Burner Manifold	10	32765	239-44559-04 Upper Sensor & Damper Harness (S/N BK & After)
7F	32645	234-06016-37 NG Main Burner Orifice	10	32540	239-43116-01 Upper Sensor & Damper Harness (S/N Prior to BK)
7F	32795	234-06016-40 NG Main Burner Orifice (2000 ft - 5000 ft)			
7F	32470	234-06016-42 NG Main Burner Orifice (5001 ft and above)	11	32060	239-82034-00 Temperature Sensor
			12	32085	239-82033-00 Upper Temperature Sensor

80W-425					
#	ITEM NO.	DESCRIPTION	#	ITEM NO.	DESCRIPTION
2	32055	265-42975-00 10" Flue Damper Assembly	7F	32600	234-06016-49 LP Main Burner Orifice (5001 ft - 8001 ft)
3	32065	224-32758-30 Magnesium Anode Rod	7F	32605	234-06016-50 LP Main Burner Orifice (8001 ft and above)
3	32190	224-38508-07 Aluminum Anode Rod (Opt)			
4	32110	230-33630-04 T&P Relief Valve	7G	32435	239-41333-00 Pilot Shield
5	32070	205-18427-00 Cleanout Gasket			
6	32175	205-18428-00 Cleanout Cover	7H	32000	233-41323-01 NG Pilot Assembly
6	32180	205-32941-00 Cleanout Cover (ASME)	7H	32005	233-41323-02 LP Pilot Assembly
7	32830	243-39322-05 NG Burner Assembly	7I	32485	233-41606-01 NG Pilot Orifice
7	32840	243-39322-06 LP Burner Assembly	7I	32515	233-41606-02 LP Pilot Orifice
7A	32545	239-39421-00 Draft Panel	7J	32555	233-80361-01 Aluminum Pilot Tube
7B	32550	239-81969-03 Burner Rack Only	7K	32445	239-11706-00 Pilot Mounting Screw
7C	32415	228-39177-00 Burner Tube - Standard	7L	32560	239-39259-00 Burner Support
7C	32420	228-42490-00 Burner Tube - LONx	7M	32615	239-81816-02 Mannifold Suport Bracket
7C	32425	228-81964-00 Burner Tube - Stainless	7N	32620	233-39173-00 Burner Manifold
7D	32035	222-81608-03 NG Gas Valve	8	32335	229-44731-00 Cold Water Inlet Nipple
7D	32495	222-80831-02 LP Gas Valve	9	32820	239-44587-03 Gas Valve & Lower Sensor Harness
7F	32835	234-06016-31 NG Main Burner Orifice	10	32765	239-44559-04 Upper Sensor & Damper Harness (S/N BK & After)
7F	32575	234-06016-33 NG Main Burner Orifice (2000 ft - 5000 ft)			
7F	32580	234-06016-36 NG Main Burner Orifice (5001 ft and above)	10	32540	239-43116-01 Upper Sensor & Damper Harness (S/N Prior to BK)
7F	32845	234-06016-46 LP Main Burner Orifice	11	32060	239-82034-00 Temperature Sensor
7F	32705	234-06016-48 LP Main Burner Orifice (2000 ft - 5000 ft)	12	32085	239-82033-00 Upper Temperature Sensor

Bock Parts List
Effective April 1, 2009
(Prices Subject to Change Without Notice)

Commercial Gas - Energy Saver Series

80W-450					
#	ITEM NO.	DESCRIPTION	#	ITEM NO.	DESCRIPTION
2	32055	265-42975-00 10" Flue Damper Assembly	7F	32705	234-06016-48 LP Main Burner Orifice (2000 ft - 5000 ft)
3	32975	224-32758-28 Magnesium Anode Rod	7F	32600	234-06016-49 LP Main Burner Orifice (5001 ft and above)
3	32300	224-38508-03 Aluminum Anode Rod (Opt)			
4	32110	230-33630-04 T&P Relief Valve	7G	32435	239-41333-00 Pilot Shield
5	32070	205-18427-00 Cleanout Gasket	7H	32000	233-41323-01 NG Pilot Assembly
6	32175	205-18428-00 Cleanout Cover	7H	32005	233-41323-02 LP Pilot Assembly
6	32180	205-32941-00 Cleanout Cover (ASME)	7I	32485	233-41606-01 NG Pilot Orifice
7	32850	243-81788-03 NG Burner Assembly	7I	32515	233-41606-02 LP Pilot Orifice
7	32865	243-81788-04 LP Burner Assembly	7J	32555	233-80361-01 Aluminum Pilot Tube
7A	32545	239-39421-00 Draft Panel	7K	32445	239-11706-00 Pilot Mounting Screw
7B	32550	239-81969-03 Burner Rack Only	7L	32560	239-39259-00 Burner Support
7C	32415	228-39177-00 Burner Tube - Standard	7N	32620	233-39173-00 Burner Manifold
7C	32420	228-42490-00 Burner Tube - LONx	8	32335	229-44731-00 Cold Water Inlet Nipple
7C	32425	228-81964-00 Burner Tube - Stainless	9	32390	239-44561-01 Gas Valve Harness & Sensor (S/N Prior to BK)
7D	32035	222-81608-03 NG Gas Valve	9	32385	239-44586-01 Gas Valve Harness & Sensor (S/N BK & After)
7D	32495	222-80831-02 LP Gas Valve			
7F	32855	243-06016-1/8 NG Main Burner Orifice	10	32535	239-44559-02 Upper Sensor & Damper Harness (S/N BK & After)
7F	32635	234-06016-32 NG Main Burner Orifice (2000 ft - 5000 ft)			
7F	32860	243-06016-34 NG Main Burner Orifice (5001 ft - 8001 ft)	10	32540	239-43116-01 Upper Sensor & Damper Harness (S/N Prior to BK)
7F	32640	234-06016-35 NG Main Burner Orifice (8001 ft and above)	11	32060	239-82034-00 Temperature Sensor
7F	32845	234-06016-46 LP Main Burner Orifice	12	32085	239-82033-00 Upper Temperature Sensor

80W-500					
#	ITEM NO.	DESCRIPTION	#	ITEM NO.	DESCRIPTION
2	32055	265-42975-00 10" Flue Damper Assembly	7F	32890	243-06016-47 LP Main Burner Orifice (5001 ft - 8001 ft)
3	32975	224-32758-28 Magnesium Anode Rod	7F	32705	234-06016-48 LP Main Burner Orifice (8001 ft and above)
3	32300	224-38508-03 Aluminum Anode Rod (Opt)			
4	32110	230-33630-04 T&P Relief Valve	7G	32435	239-41333-00 Pilot Shield
5	32070	205-18427-00 Cleanout Gasket	7H	32000	233-41323-01 NG Pilot Assembly
6	32175	205-18428-00 Cleanout Cover	7H	32005	233-41323-02 LP Pilot Assembly
6	32180	205-32941-00 Cleanout Cover (ASME)	7I	32485	233-41606-01 NG Pilot Orifice
7	32870	243-81788-05 NG Burner Assembly	7I	32515	233-41606-02 LP Pilot Orifice
7	32875	243-81788-06 LP Burner Assembly	7J	32555	233-80361-01 Aluminum Pilot Tube
7A	32545	239-39421-00 Draft Panel	7K	32445	239-11706-00 Pilot Mounting Screw
7B	32550	239-81969-03 Burner Rack Only	7L	32560	239-39259-00 Burner Support
7C	32415	228-39177-00 Burner Tube - Standard	7N	32620	233-39173-00 Burner Manifold
7C	32420	228-42490-00 Burner Tube - LONx	8	32335	229-44731-00 Cold Water Inlet Nipple
7C	32425	228-81964-00 Burner Tube - Stainless	9	32390	239-44561-01 Gas Valve Harness & Sensor (S/N Prior to BK)
7D	32035	222-81608-03 NG Gas Valve	9	32385	239-44586-01 Gas Valve Harness & Sensor (S/N BK & After)
7D	32495	222-80831-02 LP Gas Valve			
7F	32880	243-06016-30 NG Main Burner Orifice	10	32535	239-44559-02 Upper Sensor & Damper Harness (S/N BK & After)
7F	32855	243-06016-1/8 NG Main Burner Orifice (2000 ft - 5000 ft)			
7F	32635	234-06016-32 NG Main Burner Orifice (5001 ft and above)	10	32540	239-43116-01 Upper Sensor & Damper Harness (S/N Prior to BK)
7F	32480	234-06016-44 LP Main Burner Orifice	11	32060	239-82034-00 Temperature Sensor
7F	32885	243-06016-45 LP Main Burner Orifice (2000 ft - 5000 ft)	12	32085	239-82033-00 Upper Temperature Sensor

Bock Parts List
Effective April 1, 2009
(Prices Subject to Change Without Notice)

Commercial Gas - Energy Saver Series

80W-505					
#	ITEM NO.	DESCRIPTION	#	ITEM NO.	DESCRIPTION
2	32055	265-42975-00 10" Flue Damper Assembly	7F	32890	243-06016-47 LP Main Burner Orifice (5001 ft - 8001 ft)
3	32065	224-32758-30 Magnesium Anode Rod	7F	32705	234-06016-48 LP Main Burner Orifice (8001 ft and above)
3	32190	224-38508-07 Aluminum Anode Rod (Opt)			
4	32110	230-33630-04 T&P Relief Valve	7G	32435	239-41333-00 Pilot Shield
5	32070	205-18427-00 Cleanout Gasket	7H	32000	233-41323-01 NG Pilot Assembly
6	32175	205-18428-00 Cleanout Cover	7H	32005	233-41323-02 LP Pilot Assembly
6	32180	205-32941-00 Cleanout Cover (ASME)	7I	32485	233-41606-01 NG Pilot Orifice
7	32895	243-39322-13 NG Burner Assembly	7I	32515	233-41606-02 LP Pilot Orifice
7	32900	243-39322-14 LP Burner Assembly	7J	32555	233-80361-01 Aluminum Pilot Tube
7A	32545	239-39421-00 Draft Panel	7K	32445	239-11706-00 Pilot Mounting Screw
7B	32550	239-81969-03 Burner Rack Only	7L	32560	239-39259-00 Burner Support
7C	32415	228-39177-00 Burner Tube - Standard	7M	32615	239-81816-02 Mannifold Suport Bracket
7C	32420	228-42490-00 Burner Tube - LONx	7N	32620	233-39173-00 Burner Manifold
7C	32425	228-81964-00 Burner Tube - Stainless	8	32335	229-44731-00 Cold Water Inlet Nipple
7D	32035	222-81608-03 NG Gas Valve	9	32820	239-44587-03 Gas Valve & Lower Sensor Harness
7D	32365	222-81608-04 LP Gas Valve			
7F	32880	243-06016-30 NG Main Burner Orifice	10	32765	239-44559-04 Upper Sensor & Damper Harness (S/N BK & After)
7F	32855	243-06016-1/8 NG Main Burner Orifice (2000 ft - 5000 ft)			
7F	32635	234-06016-32 NG Main Burner Orifice (5001 ft and above)	10	32540	239-43116-01 Upper Sensor & Damper Harness (S/N Prior to BK)
7F	32885	243-06016-45 LP Main Burner Orifice	11	32060	239-82034-00 Temperature Sensor
7F	32845	234-06016-46 LP Main Burner Orifice (2000 ft - 5000 ft)	12	32085	239-82033-00 Upper Temperature Sensor

100W-199					
#	ITEM NO.	DESCRIPTION	#	ITEM NO.	DESCRIPTION
2	32045	265-42973-00 6" Flue Damper Assembly	7F	32600	234-06016-49 LP Main Burner Orifice
3	32065	224-32758-30 Magnesium Anode Rod	7F	32605	234-06016-50 LP Main Burner Orifice (2000 ft - 5000 ft)
3	32190	224-38508-07 Aluminum Anode Rod (Opt)	7F	32610	234-06016-51 LP Main Burner Orifice (5001 ft - 8001 ft)
4	32100	230-30246-00 T&P Relief Valve			
5	32070	205-18427-00 Cleanout Gasket	7F	32500	234-06016-52 LP Main Burner Orifice (8001 ft and above)
6	32175	205-18428-00 Cleanout Cover	7G	32435	239-41333-00 Pilot Shield
7	32785	243-39205-05 NG Burner Assembly	7H	32000	233-41323-01 NG Pilot Assembly
7	32790	243-42563-02 LONx Burner Assembly	7H	32005	233-41323-02 LP Pilot Assembly
7	32800	243-39205-06 LP Burner Assembly	7I	32485	233-41606-01 NG Pilot Orifice
7A	32405	239-39419-00 Draft Panel	7I	32515	233-41606-02 LP Pilot Orifice
7B	32410	239-81969-01 Burner Rack Only	7J	32440	233-80361-05 Aluminum Pilot Tube
7C	32415	228-39177-00 Burner Tube - Standard	7K	32445	239-11706-00 Pilot Mounting Screw
7C	32420	228-42490-00 Burner Tube - LONx	7L	32450	239-45180-00 Burner Support
7C	32425	228-81964-00 Burner Tube - Stainless	8	32335	229-44731-00 Cold Water Inlet Nipple
7D	32040	222-80830-02 NG Gas Valve	9	32390	239-44561-01 Gas Valve Harness & Sensor
7D	32495	222-80831-02 LP Gas Valve			
7E	32430	233-39170-00 Burner Manifold	10	32910	239-44559-01 Upper Sensor & Damper Harness (BK & After)
7F	32640	234-06016-35 NG Main Burner Orifice			
7F	32645	234-06016-37 NG Main Burner Orifice (2000 ft - 5000 ft)	10	32915	239-43116-02 Upper Sensor & Damper Harness (Prior to BK)
7F	32590	234-06016-39 NG Main Burner Orifice (5001 ft - 8001 ft)	11	32060	239-82034-00 Temperature Sensor
7F	32795	234-06016-40 NG Main Burner Orifice (8001 ft and above)	12	32085	239-82033-00 Upper Temperature Sensor

Bock Parts List
Effective April 1, 2009
(Prices Subject to Change Without Notice)

Commercial Gas - Energy Saver Series

100W-200					
#	ITEM NO.	DESCRIPTION	#	ITEM NO.	DESCRIPTION
2	32045	265-42973-00 6" Flue Damper Assembly	7F	32845	234-06016-46 LP Main Burner Orifice
3	32065	224-32758-30 Magnesium Anode Rod	7F	32705	234-06016-48 LP Main Burner Orifice (2000 ft - 5000 ft)
3	32190	224-38508-07 Aluminum Anode Rod (Opt)			
4	32110	230-33630-04 T&P Relief Valve	7F	32600	234-06016-49 LP Main Burner Orifice (5001 ft - 8001 ft)
5	32070	205-18427-00 Cleanout Gasket			
6	32175	205-18428-00 Cleanout Cover	7F	32605	234-06016-50 LP Main Burner Orifice (8001 ft and above)
6	32180	205-32941-00 Cleanout Cover (ASME)			
7	32920	243-39205-09 NG Burner Assembly	7G	32435	239-41333-00 Pilot Shield
7	32925	243-42563-04 LONx Burner Assembly	7H	32000	233-41323-01 NG Pilot Assembly
7	32930	243-39205-10 LP Burner Assembly	7H	32005	233-41323-02 LP Pilot Assembly
7A	32405	239-39419-00 Draft Panel	7I	32485	233-41606-01 NG Pilot Orifice
7B	32410	239-81969-01 Burner Rack Only	7I	32515	233-41606-02 LP Pilot Orifice
7C	32415	228-39177-00 Burner Tube - Standard	7J	32440	233-80361-05 Aluminum Pilot Tube
7C	32420	228-42490-00 Burner Tube - LONx	7K	32445	239-11706-00 Pilot Mounting Screw
7C	32425	228-81964-00 Burner Tube - Stainless	7L	32450	239-45180-00 Burner Support
7D	32040	222-80830-02 NG Gas Valve	8	32335	229-44731-00 Cold Water Inlet Nipple
7D	32495	222-80831-02 LP Gas Valve	9	32390	239-44561-01 Gas Valve Harness & Sensor
7E	32430	233-39170-00 Burner Manifold			
7F	32835	234-06016-31 NG Main Burner Orifice	10	32910	239-44559-01 Upper Sensor & Damper Harness (S/N BK & After)
7F	32635	234-06016-32 NG Main Burner Orifice (2000 ft - 5000 ft)	10	32915	239-43116-02 Upper Sensor & Damper Harness (S/N Prior to BK)
7F	32860	243-06016-34 NG Main Burner Orifice (5001 ft - 8001 ft)	11	32060	239-82034-00 Temperature Sensor
7F	32640	234-06016-35 NG Main Burner Orifice (8001 ft and above)	12	32085	239-82033-00 Upper Temperature Sensor

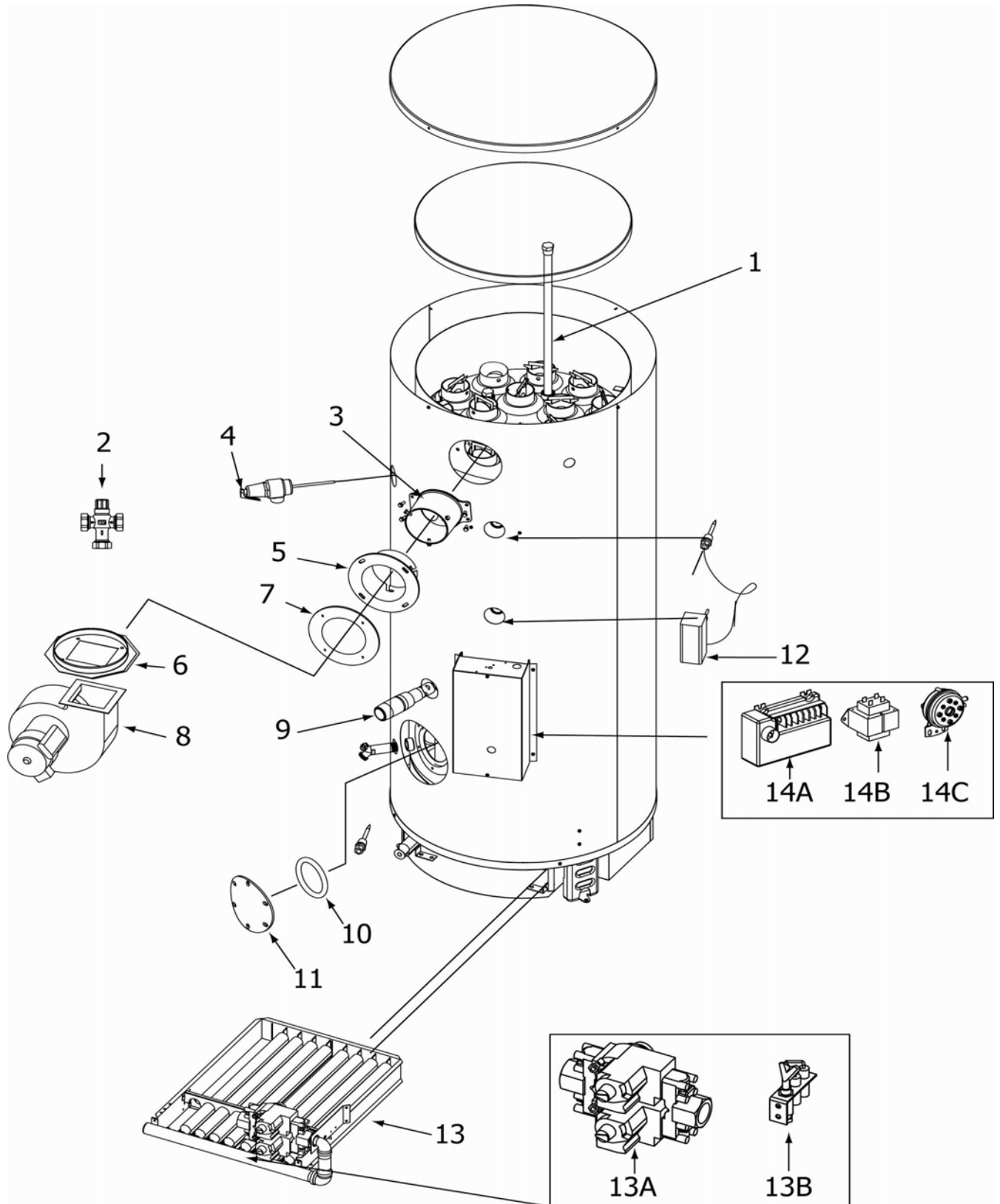
100W-270 (No LP Available)					
#	ITEM NO.	DESCRIPTION	#	ITEM NO.	DESCRIPTION
1	32935	239-81811-00 Flue Damper Reducer	7F	32590	234-06016-39 NG Main Burner Orifice (5001 ft - 8001 ft)
2	32940	265-43113-00 Flue Damper W/Adaptor Harness & Reducer	7F	32795	234-06016-40 NG Main Burner Orifice (8001 ft and above)
3	32660	224-32758-15 Magnesium Anode Rod	7G	32435	239-41333-00 Pilot Shield
3	32300	224-38508-03 Aluminum Anode Rod (Opt.)	7H	32000	233-41323-01 Pilot Assembly
4	32110	230-33630-04 T&P Relief Valve	7I	32485	233-41606-01 Pilot Orifice
5	32070	205-18427-00 Cleanout Gasket	7J	32555	233-80361-01 Aluminum Pilot Tube
6	32175	205-18428-00 Cleanout Cover	7K	32445	239-11706-00 Pilot Mounting Screw
6	32180	205-32941-00 Cleanout Cover (ASME)	7L	32740	239-45181-00 Burner Support
7	32950	243-81743-05 NG Burner Assembly	8	32335	229-44731-00 Cold Water Inlet Nipple
7	32955	243-42536-03 LONx Burner Assembly	9	32390	239-44561-01 Gas Valve Harness & Sensor (S/N Prior to BK)
7A	32720	239-39420-00 Draft Panel	9	32385	239-44586-01 Gas Valve Harness & Sensor (S/N BK & After)
7B	32725	239-81969-02 Burner Rack Only	10	32540	239-43116-01 Upper Sensor & Damper Harness (S/N Prior to BK)
7C	32415	228-39177-00 Burner Tube - Standard	10	32945	239-44559-03 Upper Sensor & Damper Harness (S/N BK & After)
7C	32420	228-42490-00 Burner Tube - LONx			
7C	32425	228-81964-00 Burner Tube - Stainless	11	32060	239-82034-00 Temperature Sensor
7D	32040	222-80830-02 Gas Valve	12	32085	239-82033-00 Upper Temperature Sensor
7E	32805	233-81725-00 Burner Manifold			
7F	32580	234-06016-36 NG Main Burner Orifice			
7F	32585	234-06016-38 NG Main Burner Orifice (2000 ft - 5000 ft)			

Bock Parts List
Effective April 1, 2009
(Prices Subject to Change Without Notice)

Commercial Gas - Energy Saver Series

100W-300					
#	ITEM NO.	DESCRIPTION	#	ITEM NO.	DESCRIPTION
2	32050	265-42974-00 8" Flue Damper Assembly	7F	32705	234-06016-48 LP Main Burner Orifice
3	32660	224-32758-15 Magnesium Anode Rod	7F	32605	234-06016-50 LP Main Burner Orifice (2000 ft - 5000 ft)
3	32300	224-38508-03 Aluminum Anode Rod (Opt.)			
4	32110	230-33630-04 T&P Relief Valve	7F	32610	234-06016-51 LP Main Burner Orifice (5001 ft and above)
5	32070	205-18427-00 Cleanout Gasket			
6	32175	205-18428-00 Cleanout Cover	7G	32435	239-41333-00 Pilot Shield
6	32180	205-32941-00 Cleanout Cover (ASME)	7H	32000	233-41323-01 NG Pilot Assembly
7	32960	243-81743-07 NG Burner Assembly	7H	32005	233-41323-02 LP Pilot Assembly
7	32965	243-42536-04 LONx Burner Assembly	7I	32485	233-41606-01 NG Pilot Orifice
7	32970	243-81743-08 LP Burner Assembly	7I	32515	233-41606-02 LP Pilot Orifice
7A	32720	239-39420-00 Draft Panel	7J	32555	233-80361-01 Aluminum Pilot Tube
7B	32725	239-81969-02 Burner Rack Only	7K	32445	239-11706-00 Pilot Mounting Screw
7C	32415	228-39177-00 Burner Tube - Standard	7L	32740	239-45181-00 Burner Support
7C	32420	228-42490-00 Burner Tube - LONx	8	32335	229-44731-00 Cold Water Inlet Nipple
7C	32425	228-81964-00 Burner Tube - Stainless	9	32385	239-44586-01 Gas Valve Harness & Sensor (S/N BK & After)
7D	32040	222-80830-02 NG Gas Valve			
7D	32495	222-80831-02 LP Gas Valve	9	32390	239-44561-01 Gas Valve Harness & Sensor (S/N Prior to BK)
7E	32805	233-81725-00 Burner Manifold			
7F	32575	234-06016-33 NG Main Burner Orifice	10	32540	239-43116-01 Upper Sensor & Damper Harness (S/N Prior to BK)
7F	32580	234-06016-36 NG Main Burner Orifice (2000 ft - 5000 ft)	10	32945	239-44559-03 Upper Sensor & Damper Harness (S/N BK & After)
7F	32645	234-06016-37 NG Main Burner Orifice (5001 ft - 8001 ft)	11	32060	239-82034-00 Temperature Sensor
7F	32585	234-06016-38 NG Main Burner Orifice (8001 ft and above)	12	32085	239-82033-00 Upper Temperature Sensor

Commercial Gas Energy Saver Series 66W-625 and 80W-725



Bock Parts List
Effective April 1, 2009
(Prices Subject to Change Without Notice)

Commercial Gas
Energy Saver Series
66W-625 and 80W-725

66W-625					
#	ITEM NO.	DESCRIPTION	#	ITEM NO.	DESCRIPTION
1	32295	224-32758-29 Magnesium Anode Rod	11	32180	205-32941-00 Cleanout Cover (ASME)
1	32300	224-38508-03 Aluminum Anode Rod (Opt.)	12	32340	233-82030-00 Thermostat
2	32305	239-43740-02 Mixing Valve (ASSE-Opt.)	13	32355	243-39322-07 NG Burner Assembly
3	32310	239-81078-00 Blower Transition	13A	32035	222-81608-03 Dual-NG Gas Valve
4	32110	230-33630-04 T&P Relief Valve	13A	32365	222-81608-04 LP Gas Valve Assembly
5	32315	239-81077-00 Blower Flange Mount	13B	32000	233-41323-01 NG Pilot Assembly
6	32320	239-81108-00 Vent Adapter	13B	32005	233-41323-02 LP Pilot Assembly
7	32325	239-81161-00 Flange Gasket	14A	32015	233-43128-00 Ignition Module/UT619A
8	32330	239-41503-00 Blower Motor	14B	32345	233-44072-01 Transformer
9	32335	229-44731-00 Cold Water Inlet Nipple	14C	32350	239-44064-01 Pressure Switch
10	32075	205-32942-00 Cleanout Gasket (ASME)			

80W-725					
#	ITEM NO.	DESCRIPTION	#	ITEM NO.	DESCRIPTION
1	32065	224-32758-30 Magnesium Anode Rod	11	32180	205-32941-00 Cleanout Cover (ASME)
1	32190	224-38508-07 Aluminum Anode Rod (Opt.)	12	32340	233-82030-00 Thermostat
2	32305	239-43740-02 Mixing Valve (ASSE-Opt.)	13	32360	243-39322-08 NG Burner Assembly
3	32310	239-81078-00 Blower Transition	13A	32035	222-81608-03 Dual-NG Gas Valve
4	32110	230-33630-04 T&P Relief Valve	13A	32365	222-81608-04 LP Gas Valve Assembly
5	32315	239-81077-00 Blower Flange Mount	13B	32000	233-41323-01 NG Pilot Assembly
6	32320	239-81108-00 Vent Adapter	13B	32005	233-41323-02 LP Pilot Assembly
7	32325	239-81161-00 Flange Gasket	14A	32015	233-43128-00 Ignition Module/UT619A
8	32330	239-41503-00 Blower Motor	14B	32345	233-44072-01 Transformer
9	32335	229-44731-00 Cold Water Inlet Nipple	14C	32350	239-44064-01 Pressure Switch
10	32075	205-32942-00 Cleanout Gasket (ASME)			