

# iPERL™ Water Management System

## Electromagnetic Flow Measurement System

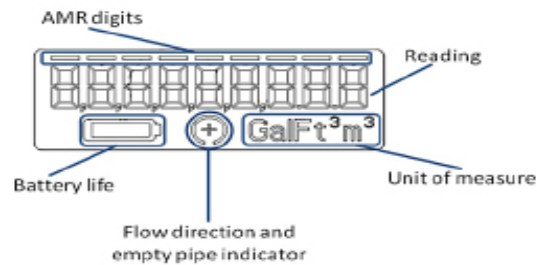
## Description

**5/8" (DN 15mm), 3/4" (DN 20mm) and 1" (DN 25mm) Sizes**

With no moving parts, the Sensus iPERL water management system is based on innovative electromagnetic flow measurement technology. The iPERL system family has an operating range as low as 0.03 gpm (0.007 m<sup>3</sup>/hr) to 55 gpm.



Electronic Register LCD Display



## Features

### CONFORMANCE TO STANDARDS

The iPERL system far exceeds the most recent revision of ANSI/AWWA Standard C-700 and C-710 for accuracy and pressure loss requirements. All iPERL systems are NSF/ANSI Standard 61 Annex F and G compliant and tested to AWWA standards.

### PERFORMANCE

The patented measurement technology of the iPERL system allows enhanced accuracy ranges at both low and high flows and perpetual accuracy over the life of the product and can be installed horizontally, vertically or diagonally.

### CONSTRUCTION

The iPERL system is an integrated unit that incorporates an electronic register and measuring device encased in an external housing. The measuring device is comprised of a composite alloy flowtube with externally-threaded spud ends. Embedded in the flowtube are

magnetic flow sensors. The all electronic, programmable register is hermetically sealed with a tempered glass cover. The iPERL system has a 20 year life cycle, along with a 20 year battery life guarantee.

### ELECTRONIC REGISTER

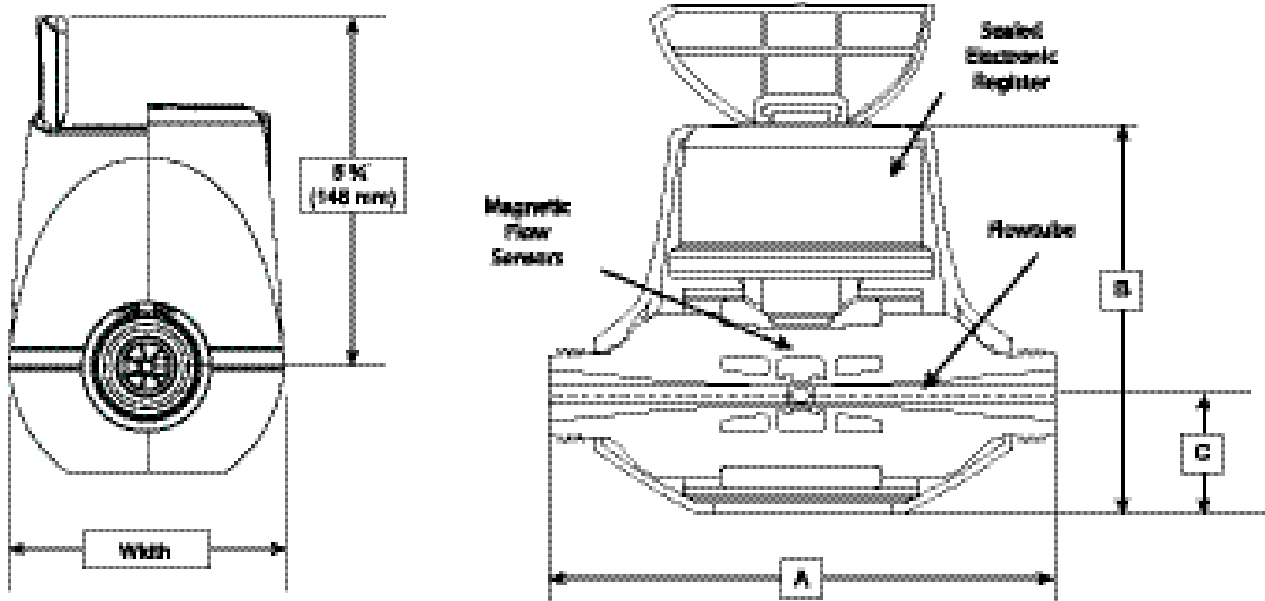
The high resolution 9-digit hermetically sealed electronic register with LCD display was designed to eliminate dirt, lens fogging issues and moisture contamination in pit settings with built in tamper protection. The tempered glass register cover displays readings with the AMR digits highlighted. Direction of flow and units of measure are also easily readable on the register display. The iPERL register features; AMR resolution and unit of measure that are fully programmable, integral customer data logging compatible with UniPro software tools. The large, easy to read display also includes battery life, empty pipe and forward/reverse flow indicators.

### TAMPERPROOF FEATURES

The integrated construction of the iPERL system prevents removal of the register to obtain free water. The magnetic tamper and low field alarms will both indicate any attempt to tamper with the magnetic field of the iPERL system.

### AMR / AMI SYSTEMS

iPERL systems are compatible with current Sensus AMR/AMI systems.



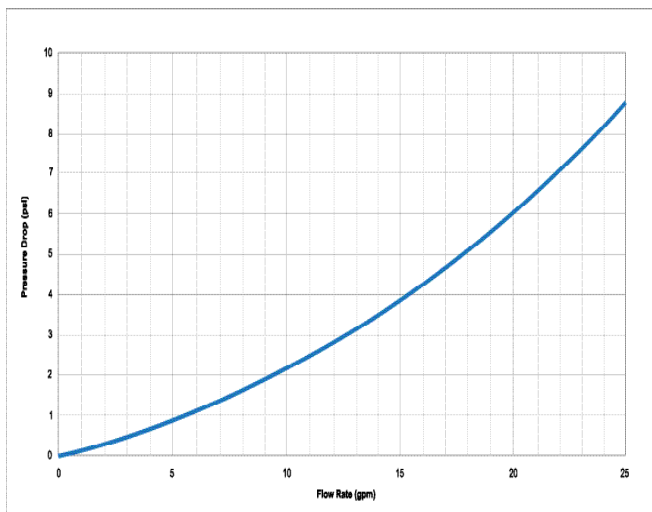
### DIMENSIONS AND NET WEIGHTS

Size	A (lay length)	B	C	Spud Ends	NPSM Thread Size	Width	Net Weight
5/8" (DN 15 mm)	7-1/2" (190 mm)	6-1/10" (155 mm)	1-3/4" (44 mm)	5/8" (15 mm)	3/4" (19 mm)	4-1/2" (114 mm)	3.1 lb. (1.4 kg)
3/4"S (5/8" x 3/4") (DN 20 mm)	7-1/2" (190 mm)	6-1/10" (155 mm)	1-3/4" (44 mm)	3/4" (20 mm)	1" (25 mm)	4-1/2" (114 mm)	3.1 lb. (1.4 kg)
3/4" (DN 20 mm)	9" (229 mm)	6-1/10" (155 mm)	1-3/4" (44 mm)	3/4" (20 mm)	1" (25 mm)	4-1/2" (114 mm)	3.2 lb. (1.5 kg)
1" (DN 25 mm)	10-3/4" (273 mm)	6-1/10" (155 mm)	1-3/4" (44 mm)	1" (25 mm)	1-1/4" (32 mm)	4-1/2" (114 mm)	3.3 lb. (1.6 kg)

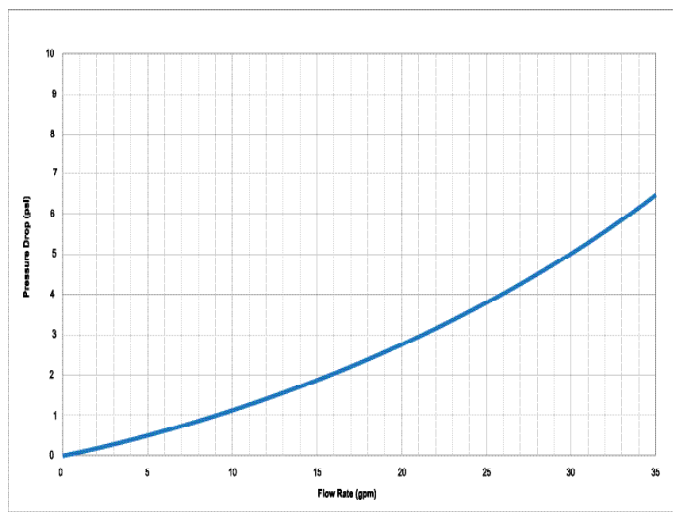
### SPECIFICATIONS

<b>SERVICE</b>	Measurement of potable and reclaim water. Operating temperature range of 33 °F (0.56 °C) - 150 °F (65.6 °C)	<b>MEASUREMENT TECHNOLOGY</b>	Solid state electromagnetic flow
<b>NORMAL OPERATING FLOW RANGE</b> (±1.5%)	5/8" (DN 15mm) size: 0.18 to 25 gpm (0.04 to 5.7 m³/hr) 3/4" (DN 20mm) size: 0.18 to 35 gpm (0.04 to 8.0 m³/hr) 1" (DN 25mm) size: 0.4 to 55 gpm (0.09 to 12.5 m³/hr)	<b>REGISTER</b>	Hermetically sealed, 9-digit programmable electronic register AMR/AMI compatible iPERL system register programmable using the UniPro programming package
<b>LOW FLOW RANGE</b> (±3%)	5/8" (DN 15mm) size: >0.11 gpm (0.025 m³/hr) to <0.18 gpm (0.041 m³/hr) 3/4" (DN 20mm) size: >0.11 gpm (0.025 m³/hr) to <0.18 gpm (0.041 m³/hr) 1" (DN 25mm) size: >0.3 gpm (0.068 m³/hr) to <0.4 gpm (0.09 m³/hr)	<b>MATERIALS</b>	External housing – Thermal plastic Flowtube – Polyphenylene sulfide alloy Electrode – Silver/silver chloride Register cover – Tempered glass
<b>STARTING FLOW</b>	5/8" (DN 15mm) size: 0.03 gpm (0.007 m³/h) 3/4" (DN 20mm) size: 0.03 gpm (0.007 m³/h) 1" (DN 25mm) size: 0.11 gpm (0.025 m³/h)	<b>ALARM DEFAULTS</b>	Alarm Duration – 90 days Leak Duration – 24 hours Datalog Interval – 1 hour Alarm Mask – All alarms reported History Mask – All event types reported
<b>MAXIMUM OPERATING PRESSURE</b>	200 psi (13.8 bar)		

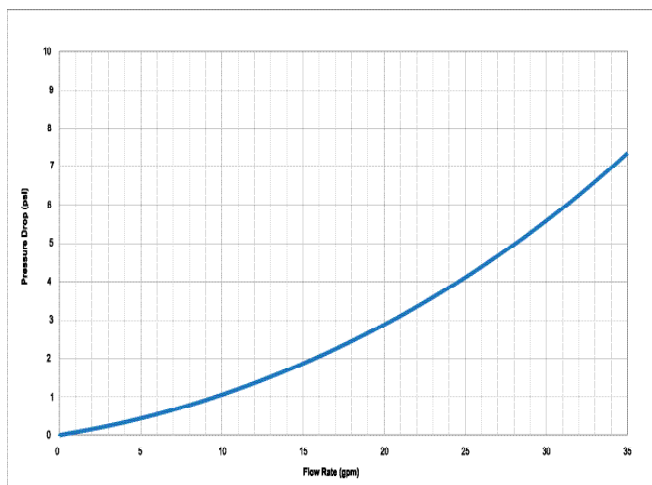
## HEADLOSS CURVES



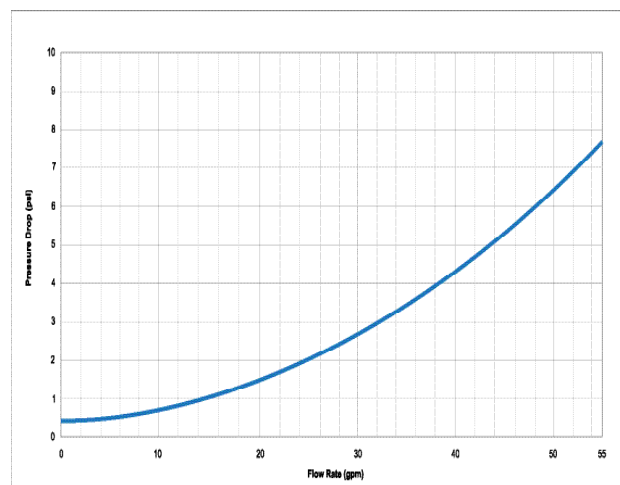
5/8" Headloss Curve



3/4" Short Headloss Curve



3/4" Headloss Curve



1" Headloss Curve

© All products purchased and services performed are subject to Sensus' terms of sale, available at either; <http://na.sensus.com/TC/TermsConditions.pdf> or 1-800-647-3748. Sensus reserves the right to modify these terms and conditions in its own discretion without notice to the customer.

This document is for informational purposes only, and SENSUS MAKES NO EXPRESS WARRANTIES IN THIS DOCUMENT. FURTHERMORE, THERE ARE NO IMPLIED WARRANTIES, INCLUDING WITHOUT LIMITATION, WARRANTIES AS TO FITNESS FOR A PARTICULAR PURPOSE AND MERCHANTABILITY. ANY USE OF THE PRODUCTS THAT IS NOT SPECIFICALLY PERMITTED HEREIN IS PROHIBITED.