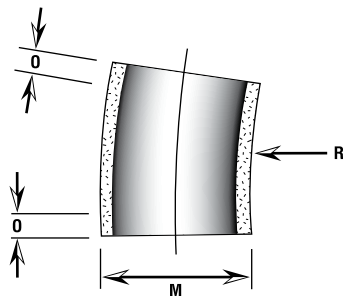
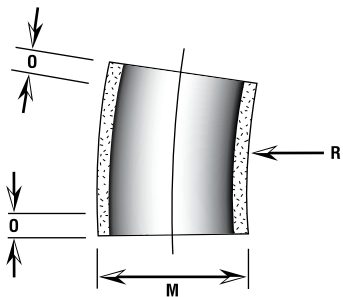


ELBOWS

Radii listed are available and larger radii can be supplied. Contact your local representative or Champion Fiberglass for additional information. All elbows are supplied with plain ends. For installations with other conduit systems, we offer an assortment of transition and termination fittings that can be installed on our elbows. Please see page 44 for a selection of elbows with PVC couplings.



11¼° X 12"



11¼° X 24"

Nominal Size	Type	IPS Item No.		M	O-Tangent (min)	R - Radius (min)	Weight	
		Belowground	Aboveground				lbs	kg
¾	SW	07A-SW-50-P	07C-SW-50-P	1.05 (27)	6 (152)	12 (305)	0.20	(0.09)
1	SW	10A-SW-50-P	10C-SW-50-P	1.32 (33)	6 (152)	12 (305)	0.22	(0.10)
1¼	SW	12A-SW-50-P	12C-SW-50-P	1.66 (42)	6 (152)	12 (305)	0.27	(0.12)
1½	SW	15A-SW-50-P	15C-SW-50-P	1.90 (48)	6 (152)	12 (305)	0.39	(0.18)
2	SW	20A-SW-50-P	20C-SW-50-P	2.37 (60)	6 (152)	12 (305)	0.44	(0.20)
2½	SW	25A-SW-50-P	25C-SW-50-P	2.88 (73)	6 (152)	12 (305)	0.54	(0.25)

Nominal Size	Type	ID Item No.		M	O-Tangent (min)	R - Radius (min)	Weight	
		Belowground	Aboveground				lbs	kg
2	SW	20B-SW-50-P	20D-SW-50-P	2.14 (54)	6 (152)	12 (305)	0.40	(0.18)
2½	SW	25B-SW-50-P	25D-SW-50-P	2.64 (67)	6 (152)	12 (305)	0.49	(0.22)

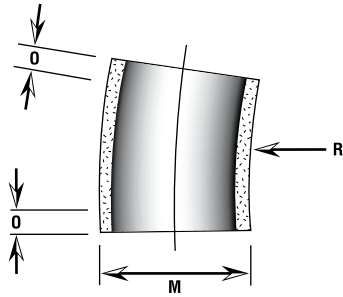
Nominal Size	Type	Item No.		M	O-Tangent (min)	R - Radius (min)	Weight	
		Belowground	Aboveground				lbs	kg
2	XW	20B-XW-50-P	20D-XW-50-P	2.50 (63)	6 (152)	12 (305)	1.47	(0.67)
2½	XW	25B-XW-50-P	25D-XW-50-P	3.00 (76)	6 (152)	12 (305)	1.80	(0.82)
3	XW	30B-XW-50-P	30D-XW-50-P	4.00 (102)	6 (152)	12 (305)	2.45	(1.11)

Nominal Size	Type	IPS Item No.		M	O-Tangent (min)	R - Radius (min)	Weight	
		Belowground	Aboveground				lbs	kg
¾	SW	07A-SW-51-P	07C-SW-51-P	1.05 (27)	6 (152)	24 (610)	0.24	(0.11)
1	SW	10A-SW-51-P	10C-SW-51-P	1.32 (33)	6 (152)	24 (610)	0.27	(0.12)
1¼	SW	12A-SW-51-P	12C-SW-51-P	1.66 (42)	6 (152)	24 (610)	0.33	(0.15)
1½	SW	15A-SW-51-P	15C-SW-51-P	1.90 (48)	6 (152)	24 (610)	0.47	(0.21)
2	SW	20A-SW-51-P	20C-SW-51-P	2.37 (60)	6 (152)	24 (610)	0.54	(0.25)
2½	SW	25A-SW-51-P	25C-SW-51-P	2.88 (73)	6 (152)	24 (610)	0.65	(0.30)
3	SW	30A-SW-51-P	30C-SW-51-P	3.50 (89)	6 (152)	24 (610)	0.85	(0.38)
4	SW	40A-SW-51-P	40C-SW-51-P	4.46 (113)	6 (152)	24 (610)	1.02	(0.46)
4	HW	40A-HW-51-P	40C-HW-51-P	4.51 (114)	6 (152)	24 (610)	1.37	(0.61)

Nominal Size	Type	ID Item No.		M	O-Tangent (min)	R - Radius (min)	Weight	
		Belowground	Aboveground				lbs	kg
2	SW	20B-SW-51-P	20D-SW-51-P	2.14 (54)	6 (152)	24 (610)	0.48	(0.22)
2½	SW	25B-SW-51-P	25D-SW-51-P	2.64 (67)	6 (152)	24 (610)	0.60	(0.27)
3	SW	30B-SW-51-P	30D-SW-51-P	3.14 (80)	6 (152)	24 (610)	0.68	(0.25)
3½	SW	35B-SW-51-P	35D-SW-51-P	3.64 (92)	6 (152)	24 (610)	0.86	(0.39)
4	SW	40B-SW-51-P	40D-SW-51-P	4.14 (105)	6 (152)	24 (610)	0.98	(0.45)
4	HW	40B-HW-51-P	40D-HW-51-P	4.19 (106)	6 (152)	24 (610)	1.48	(0.67)

Nominal Size	Type	Item No.		M	O-Tangent (min)	R - Radius (min)	Weight	
		Belowground	Aboveground				lbs	kg
2	XW	20B-XW-51-P	20D-XW-51-P	2.50 (63)	6 (152)	24 (610)	1.79	(0.81)
2½	XW	25B-XW-51-P	25D-XW-51-P	3.00 (76)	6 (152)	24 (610)	2.19	(0.99)
3	XW	30B-XW-51-P	30D-XW-51-P	3.50 (89)	6 (152)	24 (610)	2.58	(1.17)
3½	XW	35B-XW-51-P	35D-XW-51-P	4.00 (102)	6 (152)	24 (610)	2.98	(1.35)
4	XW	40B-XW-51-P	40D-XW-51-P	4.50 (114)	6 (152)	24 (610)	3.38	(1.53)

ELBOWS

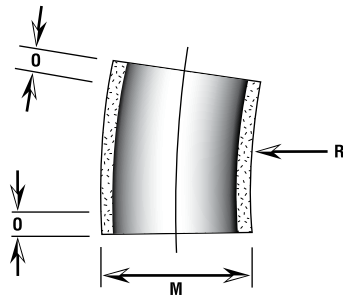


11 1/4° X 36°

Nominal Size	Type	IPS Item No.		M	O-Tangent (min)	R - Radius (min)	Weight	
		Belowground	Aboveground				lbs	kg
3/4	SW	07A-SW-52-P	07C-SW-52-P	1.05 (27)	6 (152)	36 (914)	0.27 (0.12)	
1	SW	10A-SW-52-P	10C-SW-52-P	1.32 (33)	6 (152)	36 (914)	0.30 (0.14)	
1 1/4	SW	12A-SW-52-P	12C-SW-52-P	1.66 (42)	6 (152)	36 (914)	0.36 (0.16)	
1 1/2	SW	15A-SW-52-P	15C-SW-52-P	1.90 (48)	6 (152)	36 (914)	0.52 (0.24)	
2	SW	20A-SW-52-P	20C-SW-52-P	2.37 (60)	6 (152)	36 (914)	0.60 (0.27)	
2 1/2	SW	25A-SW-52-P	25C-SW-52-P	2.88 (73)	6 (152)	36 (914)	0.73 (0.33)	
3	SW	30A-SW-52-P	30C-SW-52-P	3.50 (89)	6 (152)	36 (914)	0.95 (0.43)	
4	SW	40A-SW-52-P	40C-SW-52-P	4.46 (113)	6 (152)	36 (914)	1.14 (0.52)	
4	HW	40A-HW-52-P	40C-HW-52-P	4.51 (114)	6 (152)	36 (914)	1.54 (0.70)	
5	SW	50A-SW-52-P	50C-SW-52-P	5.52 (140)	6 (152)	36 (914)	1.43 (0.65)	
5	MW	50A-MW-52-P	50C-MW-52-P	5.57 (141)	6 (152)	36 (914)	1.90 (0.86)	
5	HW	50A-HW-52-P	50C-HW-52-P	5.60 (152)	6 (152)	36 (914)	2.10 (0.95)	
6	SW	60A-SW-52-P	60C-SW-52-P	6.58 (167)	6 (152)	36 (914)	1.59 (0.72)	
6	MW	60A-MW-52-P	60C-MW-52-P	6.63 (168)	6 (152)	36 (914)	2.25 (1.02)	
6	HW	60A-HW-52-P	60C-HW-52-P	6.66 (169)	6 (152)	36 (914)	2.59 (1.17)	

Nominal Size	Type	ID Item No.		M	O-Tangent (min)	R - Radius (min)	Weight	
		Belowground	Aboveground				lbs	kg
2	SW	20B-SW-52-P	20D-SW-52-P	2.14 (54)	6 (152)	36 (914)	0.54 (0.25)	
2 1/2	SW	25B-SW-52-P	25D-SW-52-P	2.64 (67)	6 (152)	36 (914)	0.67 (0.30)	
3	SW	30B-SW-52-P	30D-SW-52-P	3.14 (80)	6 (152)	36 (914)	0.76 (0.35)	
3 1/2	SW	35B-SW-52-P	35D-SW-52-P	3.64 (92)	6 (152)	36 (914)	0.95 (0.43)	
4	SW	40B-SW-52-P	40D-SW-52-P	4.14 (105)	6 (152)	36 (914)	1.09 (0.50)	
4	HW	40B-HW-52-P	40D-HW-52-P	4.19 (106)	6 (152)	36 (914)	1.46 (0.66)	
4 1/2	SW	45B-SW-52-P	45D-SW-52-P	4.64 (117)	6 (152)	36 (914)	1.19 (0.54)	
4 1/2	HW	45B-HW-52-P	45D-HW-52-P	4.69 (118)	6 (152)	36 (914)	1.65 (0.75)	
5	SW	50B-SW-52-P	50D-SW-52-P	5.14 (131)	6 (152)	36 (914)	1.34 (0.61)	
5	MW	50B-MW-52-P	50D-MW-52-P	5.19 (132)	6 (152)	36 (914)	1.78 (0.81)	
5	HW	50B-HW-52-P	50D-HW-52-P	5.22 (132)	6 (152)	36 (914)	2.05 (0.93)	
6	SW	60B-SW-52-P	60D-SW-52-P	6.14 (156)	6 (152)	36 (914)	1.61 (0.73)	
6	MW	60B-MW-52-P	60D-MW-52-P	6.19 (157)	6 (152)	36 (914)	2.13 (0.97)	
6	HW	60B-HW-52-P	60D-HW-52-P	6.22 (158)	6 (152)	36 (914)	2.50 (1.00)	

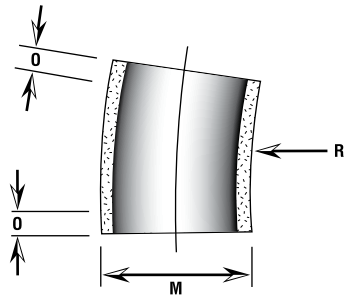
Nominal Size	Type	IPS Item No.		M	O-Tangent (min)	R - Radius (min)	Weight	
		Belowground	Aboveground				lbs	kg
2	XW	20B-XW-52-P	20D-XW-52-P	2.50 (64)	6 (152)	36 (914)	2.00 (0.91)	
2 1/2	XW	25B-XW-52-P	25D-XW-52-P	3.00 (76)	6 (152)	36 (914)	2.44 (1.11)	
3	XW	30B-XW-52-P	30D-XW-52-P	3.50 (89)	6 (152)	36 (914)	2.88 (1.31)	
3 1/2	XW	35B-XW-52-P	35D-XW-52-P	4.00 (102)	6 (152)	36 (914)	3.33 (1.51)	
4	XW	40B-XW-52-P	40D-XW-52-P	4.50 (114)	6 (152)	36 (914)	3.77 (3.77)	
5	XW	50B-XW-52-P	50D-XW-52-P	5.50 (140)	6 (152)	36 (914)	4.64 (2.11)	
6	XW	60B-XW-52-P	60D-XW-52-P	6.50 (165)	6 (152)	36 (914)	5.53 (2.51)	



11 1/4° X 48°

Nominal Size	Type	IPS Item No.		M	O-Tangent (min)	R - Radius (min)	Weight	
		Belowground	Aboveground				lbs	kg
3/4	SW	07A-SW-53-P	07C-SW-53-P	1.05 (27)	6 (152)	48 (1,219)	0.31 (0.14)	
1	SW	10A-SW-53-P	10C-SW-53-P	1.32 (33)	6 (152)	48 (1,219)	0.35 (0.16)	
1 1/4	SW	12A-SW-53-P	12C-SW-53-P	1.66 (42)	6 (152)	48 (1,219)	0.42 (0.19)	
1 1/2	SW	15A-SW-53-P	15C-SW-53-P	1.90 (48)	6 (152)	48 (1,219)	0.61 (0.28)	
2	SW	20A-SW-53-P	20C-SW-53-P	2.37 (60)	6 (152)	48 (1,219)	0.70 (0.32)	
2 1/2	SW	25A-SW-53-P	25C-SW-53-P	2.88 (73)	6 (152)	48 (1,219)	0.84 (0.38)	
3	SW	30A-SW-53-P	30C-SW-53-P	3.50 (89)	6 (152)	48 (1,219)	1.10 (0.50)	
4	SW	40A-SW-53-P	40C-SW-53-P	4.46 (113)	6 (152)	48 (1,219)	1.32 (0.60)	
4	HW	40A-HW-53-P	40C-HW-53-P	4.51 (114)	6 (152)	48 (1,219)	1.78 (0.81)	
5	SW	50A-SW-53-P	50C-SW-53-P	5.52 (140)	6 (152)	48 (1,219)	1.65 (0.75)	
5	MW	50A-MW-53-P	50C-MW-53-P	5.57 (141)	6 (152)	48 (1,219)	2.20 (1.00)	
5	HW	50A-HW-53-P	50C-HW-53-P	5.60 (142)	6 (152)	48 (1,219)	2.38 (1.08)	
6	SW	60A-SW-53-P	60C-SW-53-P	6.58 (167)	6 (152)	60 (1,524)	1.83 (0.83)	
6	MW	60A-MW-53-P	60C-MW-53-P	6.63 (168)	6 (152)	60 (1,524)	2.60 (1.18)	
6	HW	60A-HW-53-P	60C-HW-53-P	6.66 (169)	6 (152)	60 (1,524)	2.98 (1.35)	

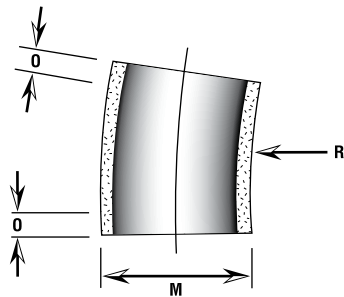
Nominal Size	Type	ID Item No.		M	O-Tangent (min)	R - Radius (min)	Weight	
		Belowground	Aboveground				lbs	kg
2	SW	20B-SW-53-P	20D-SW-53-P	2.14 (54)	6 (152)	48 (1,219)	0.62 (0.36)	
2 1/2	SW	25B-SW-53-P	25D-SW-53-P	2.64 (67)	6 (152)	48 (1,219)	0.77 (0.45)	
3	SW	30B-SW-53-P	30D-SW-53-P	3.14 (80)	6 (152)	48 (1,219)	0.88 (0.55)	
3 1/2	SW	35B-SW-53-P	35D-SW-53-P	3.64 (92)	6 (152)	48 (1,219)	1.10 (0.55)	
4	SW	40B-SW-53-P	40D-SW-53-P	4.14 (105)	6 (152)	48 (1,219)	1.27 (0.64)	
4	HW	40B-HW-53-P	40D-HW-53-P	4.19 (106)	6 (152)	48 (1,219)	1.69 (0.86)	
4 1/2	SW	45B-SW-53-P	45D-SW-53-P	4.64 (117)	6 (152)	48 (1,219)	1.38 (0.73)	
4 1/2	HW	45B-HW-53-P	45D-HW-53-P	4.69 (118)	6 (152)	48 (1,219)	1.91 (0.95)	
5	SW	50B-SW-53-P	50D-SW-53-P	5.14 (131)	6 (152)	48 (1,219)	1.56 (0.86)	
5	MW	50B-MW-53-P	50D-MW-53-P	5.19 (132)	6 (152)	48 (1,219)	2.07 (1.14)	
5	HW	50B-HW-53-P	50D-HW-53-P	5.22 (133)	6 (152)	48 (1,219)	2.42 (1.27)	
6	SW	60B-SW-53-P	60D-SW-53-P	6.14 (156)	6 (152)	48 (1,219)	2.31 (1.05)	
6	MW	60B-MW-53-P	60D-MW-53-P	6.19 (157)	6 (152)	48 (1,219)	3.34 (1.52)	
6	HW	60B-HW-53-P	60D-HW-53-P	6.22 (158)	6 (152)	48 (1,219)	4.36 (1.98)	



11¼° X 48"

Nominal Size	Type	Item No.		M	O-Tangent (min)	R - Radius (min)	Weight	
		Belowground	Aboveground				lbs	kg
2	XW	20B-XW-53-P	20D-XW-53-P	2.50 (64)	6 (152)	48 (1,219)	2.29	(1.04)
2½	XW	25B-XW-53-P	25D-XW-53-P	3.00 (76)	6 (152)	48 (1,219)	2.83	(1.29)
3	XW	30B-XW-53-P	30D-XW-53-P	3.50 (89)	6 (152)	48 (1,219)	3.34	(1.51)
3½	XW	35B-XW-53-P	35D-XW-53-P	4.00 (102)	6 (152)	48 (1,219)	3.86	(1.75)
4	XW	40B-XW-53-P	40D-XW-53-P	4.50 (114)	6 (152)	48 (1,219)	4.38	(1.99)
5	XW	50B-XW-53-P	50D-XW-53-P	5.50 (140)	6 (152)	48 (1,219)	5.41	(2.46)
6	XW	60B-XW-53-P	60D-XW-53-P	6.50 (165)	6 (152)	48 (1,219)	6.44	(2.92)

Nominal Size	Type	IPS Item No.		M	O-Tangent (min)	R - Radius (min)	Weight	
		Belowground	Aboveground				lbs	kg
¾	SW	07A-SW-54-P	07C-SW-54-P	1.05 (27)	6 (152)	60 (1,524)	0.34	(0.15)
1	SW	10A-SW-54-P	10C-SW-54-P	1.32 (33)	6 (152)	60 (1,524)	0.38	(0.17)
1¼	SW	12A-SW-54-P	12C-SW-54-P	1.66 (42)	6 (152)	60 (1,524)	0.46	(0.21)
1½	SW	15A-SW-54-P	15C-SW-54-P	1.90 (48)	6 (152)	60 (1,524)	0.66	(0.30)
2	SW	20A-SW-54-P	20C-SW-54-P	2.37 (60)	6 (152)	60 (1,524)	0.76	(0.35)
2½	SW	25A-SW-54-P	25C-SW-54-P	2.88 (73)	6 (152)	60 (1,524)	0.92	(0.42)
3	SW	30A-SW-54-P	30C-SW-54-P	3.50 (89)	6 (152)	60 (1,524)	1.20	(0.55)
4	SW	40A-SW-54-P	40C-SW-54-P	4.46 (113)	6 (152)	60 (1,524)	1.44	(0.65)
4	HW	40A-HW-54-P	40C-HW-54-P	4.51 (115)	6 (152)	60 (1,524)	1.94	(0.88)
5	SW	50A-SW-54-P	50C-SW-54-P	5.52 (140)	6 (152)	60 (1,524)	1.80	(0.82)
5	MW	50A-MW-54-P	50C-MW-54-P	5.57 (141)	6 (152)	60 (1,524)	2.40	(1.09)
5	HW	50A-HW-54-P	50C-HW-54-P	5.60 (142)	6 (152)	60 (1,524)	2.60	(1.18)
6	SW	60A-SW-54-P	60C-SW-54-P	6.58 (167)	6 (152)	60 (1,524)	2.00	(0.91)
6	MW	60A-MW-54-P	60C-MW-54-P	6.63 (168)	6 (152)	60 (1,524)	2.84	(1.29)
6	HW	60A-HW-54-P	60C-HW-54-P	6.66 (169)	6 (152)	60 (1,524)	3.26	(1.48)

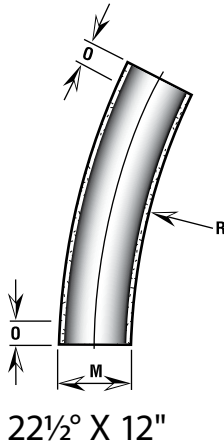


11¼° X 60"

Nominal Size	Type	ID Item No.		M	O-Tangent (min)	R - Radius (min)	Weight	
		Belowground	Aboveground				lbs	kg
2	SW	20B-SW-54-P	20D-SW-54-P	2.14 (54)	6 (152)	60 (1,524)	0.68	(0.31)
2½	SW	25B-SW-54-P	25D-SW-54-P	2.64 (67)	6 (152)	60 (1,524)	0.84	(0.38)
3	SW	30B-SW-54-P	30D-SW-54-P	3.14 (80)	6 (152)	60 (1,524)	0.96	(0.44)
3½	SW	35B-SW-54-P	35D-SW-54-P	3.64 (92)	6 (152)	60 (1,524)	1.20	(0.55)
4	SW	40B-SW-54-P	40D-SW-54-P	4.14 (105)	6 (152)	60 (1,524)	1.38	(0.63)
4	HW	40B-HW-54-P	40D-HW-54-P	4.19 (106)	6 (152)	60 (1,524)	1.84	(0.83)
4½	SW	45B-SW-54-P	45D-SW-54-P	4.64 (117)	6 (152)	60 (1,524)	1.50	(0.68)
4½	HW	45B-HW-54-P	45D-HW-54-P	4.69 (118)	6 (152)	60 (1,524)	2.08	(0.94)
5	SW	50B-SW-54-P	50D-SW-54-P	5.14 (131)	6 (152)	60 (1,524)	1.70	(0.77)
5	MW	50B-MW-54-P	50D-MW-54-P	5.19 (132)	6 (152)	60 (1,524)	2.26	(1.03)
5	HW	50B-HW-54-P	50D-HW-54-P	5.22 (132)	6 (152)	60 (1,524)	2.64	(1.20)
6	SW	60B-SW-54-P	60D-SW-54-P	6.14 (156)	6 (152)	60 (1,524)	2.04	(0.93)
6	MW	60B-MW-54-P	60D-MW-54-P	6.19 (157)	6 (152)	60 (1,524)	2.70	(1.23)
6	HW	60B-HW-54-P	60D-HW-54-P	6.22 (158)	6 (152)	60 (1,524)	3.16	(1.44)

Nominal Size	Type	Item No.		M	O-Tangent (min)	R - Radius (min)	Weight	
		Belowground	Aboveground				lbs	kg
2	XW	20B-XW-54-P	20D-XW-54-P	2.50 (65)	6 (152)	60 (1,524)	2.52	(1.14)
2½	XW	25B-XW-54-P	25D-XW-54-P	3.00 (76)	6 (152)	60 (1,524)	3.08	(1.40)
3	XW	30B-XW-54-P	30D-XW-54-P	3.50 (89)	6 (152)	60 (1,524)	3.64	(1.65)
3½	XW	35B-XW-54-P	35D-XW-54-P	4.00 (102)	6 (152)	60 (1,524)	4.20	(1.91)
4	XW	40B-XW-54-P	40D-XW-54-P	4.50 (114)	6 (152)	60 (1,524)	4.76	(2.16)
5	XW	50B-XW-54-P	50D-XW-54-P	5.50 (140)	6 (152)	60 (1,524)	5.88	(2.67)
6	XW	60B-XW-54-P	60D-XW-54-P	6.50 (165)	6 (152)	60 (1,524)	7.00	(3.18)

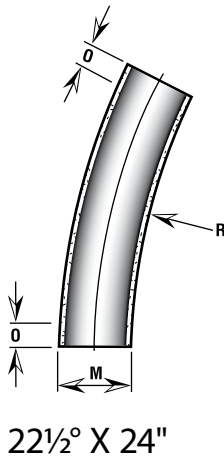
ELBOWS



Nominal Size	Type	IPS Item No.		M	O-Tangent (min)	R-Radius (min)	Weight	
		Belowground	Aboveground				lbs	kg
¾	SW	07A-SW-60-P	07C-SW-60-P	1.05 (27)	6 (152)	12 (305)	0.24	(0.11)
1	SW	10A-SW-60-P	10C-SW-60-P	1.32 (33)	6 (152)	12 (305)	0.27	(0.12)
1¼	SW	12A-SW-60-P	12C-SW-60-P	1.66 (42)	6 (152)	12 (305)	0.33	(0.15)
1½	SW	15A-SW-60-P	15C-SW-60-P	1.90 (48)	6 (152)	12 (305)	0.47	(0.21)
2	SW	20A-SW-60-P	20C-SW-60-P	2.37 (60)	6 (152)	12 (305)	0.54	(0.25)
2½	SW	25A-SW-60-P	25C-SW-60-P	2.88 (73)	6 (152)	12 (305)	0.65	(0.30)

Nominal Size	Type	ID Item No.		M	O-Tangent (min)	R - Radius (min)	Weight	
		Belowground	Aboveground				lbs	kg
2	SW	20B-SW-60-P	20D-SW-60-P	2.14 (54)	6 (152)	12 (305)	0.48	(0.22)
2½	SW	25B-SW-60-P	25D-SW-60-P	2.64 (67)	6 (152)	12 (305)	0.60	(0.27)

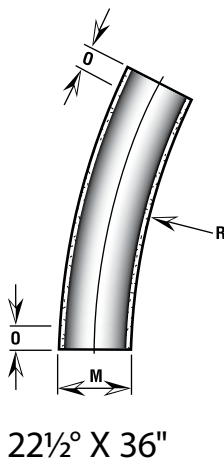
Nominal Size	Type	Item No.		M	O-Tangent (min)	R - Radius (min)	Weight	
		Belowground	Aboveground				lbs	kg
2	XW	20B-XW-60-P	20D-XW-60-P	2.50 (63)	6 (152)	12 (305)	1.79	(0.81)
2½	XW	25B-XW-60-P	25D-XW-60-P	3.00 (76)	6 (152)	12 (305)	2.19	(0.99)
3	XW	30B-XW-60-P	30D-XW-60-P	3.50 (89)	6 (152)	12 (305)	2.58	(1.17)
3½	XW	35B-XW-60-P	35D-XW-60-P	4.00 (102)	6 (152)	12 (305)	2.98	(1.35)



Nominal Size	Type	IPS Item No.		M	O-Tangent (min)	R-Radius (min)	Weight	
		Belowground	Aboveground				lbs	kg
¾	SW	07A-SW-61-P	07C-SW-61-P	1.05 (27)	6 (152)	24 (610)	0.30	(0.14)
1	SW	10A-SW-61-P	10C-SW-61-P	1.32 (33)	6 (152)	24 (610)	0.33	(0.15)
1¼	SW	12A-SW-61-P	12C-SW-61-P	1.66 (42)	6 (152)	24 (610)	0.40	(0.18)
1½	SW	15A-SW-61-P	15C-SW-61-P	1.90 (48)	6 (152)	24 (610)	0.58	(0.26)
2	SW	20A-SW-61-P	20C-SW-61-P	2.37 (60)	6 (152)	24 (610)	0.67	(0.30)
2½	SW	25A-SW-61-P	25C-SW-61-P	2.88 (73)	6 (152)	24 (610)	0.81	(0.37)
3	SW	30A-SW-61-P	30C-SW-61-P	3.50 (89)	6 (152)	24 (610)	1.06	(0.48)
4	SW	40A-SW-61-P	40C-SW-61-P	4.46 (113)	6 (152)	24 (610)	1.27	(0.58)
4	HW	40A-HW-61-P	40C-HW-61-P	4.51 (114)	6 (152)	24 (610)	1.71	(0.78)

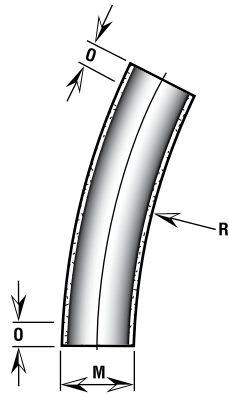
Nominal Size	Type	ID Item No.		M	O-Tangent (min)	R - Radius (min)	Weight	
		Belowground	Aboveground				lbs	kg
2	SW	20B-SW-61-P	20D-SW-61-P	2.14 (54)	6 (152)	24 (610)	0.60	(0.27)
2½	SW	25B-SW-61-P	25D-SW-61-P	2.64 (67)	6 (152)	24 (610)	0.74	(0.34)
3	SW	30B-SW-61-P	30D-SW-61-P	3.14 (80)	6 (152)	24 (610)	0.85	(0.38)
3½	SW	35B-SW-61-P	35D-SW-61-P	3.64 (92)	6 (152)	24 (610)	1.06	(0.48)
4	SW	40B-SW-61-P	40D-SW-61-P	4.14 (105)	6 (152)	24 (610)	1.22	(0.55)
4	HW	40B-HW-61-P	40D-HW-61-P	4.19 (106)	6 (152)	24 (610)	1.62	(0.74)

Nominal Size	Type	Item No.		M	O-Tangent (min)	R - Radius (min)	Weight	
		Belowground	Aboveground				lbs	kg
2	XW	20B-XW-61-P	20D-XW-61-P	2.50 (65)	6 (152)	24 (610)	2.21	(1.00)
2½	XW	25B-XW-61-P	25D-XW-61-P	3.00 (76)	6 (152)	24 (610)	2.70	(1.23)
3	XW	30B-XW-61-P	30D-XW-61-P	3.50 (89)	6 (152)	24 (610)	3.32	(1.51)
3½	XW	35B-XW-61-P	35D-XW-61-P	4.00 (102)	6 (152)	24 (610)	3.83	(1.74)
4	XW	40B-XW-61-P	40D-XW-61-P	4.50 (114)	6 (152)	24 (610)	4.34	(1.97)



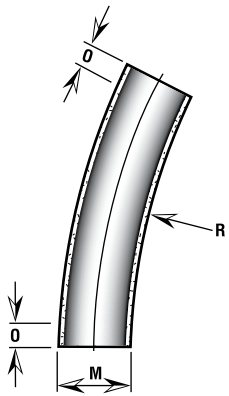
Nominal Size	Type	IPS Item No.		M	O-Tangent (min)	R - Radius (min)	Weight	
		Belowground	Aboveground				lbs	kg
¾	SW	07A-SW-62-P	07C-SW-62-P	1.05 (27)	6 (152)	36 (914)	0.35	(0.16)
1	SW	10A-SW-62-P	10C-SW-62-P	1.32 (33)	6 (152)	36 (914)	0.40	(0.18)
1¼	SW	12A-SW-62-P	12C-SW-62-P	1.66 (42)	6 (152)	36 (914)	0.48	(0.22)
1½	SW	15A-SW-62-P	15C-SW-62-P	1.90 (48)	6 (152)	36 (914)	0.69	(0.31)
2	SW	20A-SW-62-P	20C-SW-62-P	2.37 (60)	6 (152)	36 (914)	0.79	(0.36)
2½	SW	25A-SW-62-P	25C-SW-62-P	2.88 (73)	6 (152)	36 (914)	0.96	(0.44)
3	SW	30A-SW-62-P	30C-SW-62-P	3.50 (89)	6 (152)	36 (914)	1.25	(0.57)
4	SW	40A-SW-62-P	40C-SW-62-P	4.46 (113)	6 (152)	36 (914)	1.50	(0.68)
4	HW	40A-HW-62-P	40C-HW-62-P	4.51 (114)	6 (152)	36 (914)	2.02	(0.91)
5	SW	50A-SW-62-P	50C-SW-62-P	5.52 (140)	6 (152)	36 (914)	1.88	(0.85)
5	MW	50A-MW-62-P	50C-MW-62-P	5.57 (141)	6 (152)	36 (914)	2.50	(1.14)
5	HW	50A-HW-62-P	50C-HW-62-P	5.60 (152)	6 (152)	36 (914)	2.75	(1.25)
6	SW	60A-SW-62-P	60C-SW-62-P	6.58 (167)	6 (152)	36 (914)	2.08	(0.94)
6	MW	60A-MW-62-P	60C-MW-62-P	6.63 (168)	6 (152)	36 (914)	2.96	(1.34)
6	HW	60A-HW-62-P	60C-HW-62-P	6.66 (169)	6 (152)	36 (914)	3.40	(1.54)

Nominal Size	Type	ID Item No.		M	O-Tangent (min)	R - Radius (min)	Weight	
		Belowground	Aboveground				lbs	kg
2	SW	20B-SW-62-P	20D-SW-62-P	2.14 (54)	6 (152)	36 (914)	0.71	(0.32)
2½	SW	25B-SW-62-P	25D-SW-62-P	2.64 (67)	6 (152)	36 (914)	0.88	(0.40)
3	SW	30B-SW-62-P	30D-SW-62-P	3.14 (80)	6 (152)	36 (914)	1.00	(0.45)
3½	SW	35B-SW-62-P	35D-SW-62-P	3.64 (92)	6 (152)	36 (914)	1.25	(0.57)
4	SW	40B-SW-62-P	40D-SW-62-P	4.14 (105)	6 (152)	36 (914)	1.44	(0.65)
4	HW	40B-HW-62-P	40D-HW-62-P	4.19 (106)	6 (152)	36 (914)	1.92	(0.87)
4½	SW	45B-SW-62-P	45D-SW-62-P	4.64 (117)	6 (152)	36 (914)	1.56	(0.71)
4½	HW	45B-HW-62-P	45D-HW-62-P	4.69 (118)	6 (152)	36 (914)	2.17	(0.99)
5	SW	50B-SW-62-P	50D-SW-62-P	5.14 (131)	6 (152)	36 (914)	1.77	(0.80)
5	MW	50B-MW-62-P	50D-MW-62-P	5.19 (132)	6 (152)	36 (914)	2.36	(1.07)
5	HW	50B-HW-62-P	50D-HW-62-P	5.22 (132)	6 (152)	36 (914)	2.71	(1.23)
6	SW	60B-SW-62-P	60D-SW-62-P	6.14 (156)	6 (152)	36 (914)	2.13	(0.97)
6	MW	60B-MW-62-P	60D-MW-62-P	6.19 (157)	6 (152)	36 (914)	2.82	(1.28)
6	HW	60B-HW-62-P	60D-HW-62-P	6.22 (158)	6 (152)	36 (914)	3.30	(1.50)



22 1/2° X 36"

Nominal Size Type	Item No.		M	O-Tangent (min)	R - Radius (min)	Weight	
	Belowground	Aboveground				lbs	kg
2 XW	20B-XW-62-P	20D-XW-62-P	2.50 (65)	6 (152)	36 (914)	2.63	(1.19)
2 1/2 XW	25B-XW-62-P	25D-XW-62-P	3.00 (76)	6 (152)	36 (914)	3.21	(1.46)
3 XW	30B-XW-62-P	30D-XW-62-P	3.50 (89)	6 (152)	36 (914)	3.79	(1.72)
3 1/2 XW	35B-XW-62-P	35D-XW-62-P	4.00 (102)	6 (152)	36 (914)	4.38	(1.99)
4 XW	40B-XW-62-P	40D-XW-62-P	4.50 (114)	6 (152)	36 (914)	4.96	(2.25)
5 XW	50B-XW-62-P	50D-XW-62-P	5.50 (140)	6 (152)	36 (914)	6.13	(2.78)
6 XW	60B-XW-62-P	60D-XW-62-P	6.50 (165)	6 (152)	36 (914)	7.29	(3.31)



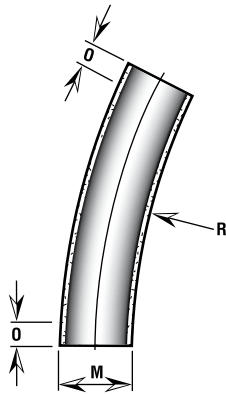
22 1/2° X 48"

Nominal Size Type	IPS Item No.		M	O-Tangent (min)	R - Radius (min)	Weight	
	Belowground	Aboveground				lbs	kg
3/4 SW	07A-SW-63-P	07C-SW-63-P	1.05 (27)	6 (152)	48 (1,219)	0.43	(0.20)
1 SW	10A-SW-63-P	10C-SW-63-P	1.32 (33)	6 (152)	48 (1,219)	0.48	(0.22)
1 1/4 SW	12A-SW-63-P	12C-SW-63-P	1.66 (42)	6 (152)	48 (1,219)	0.58	(0.26)
1 1/2 SW	15A-SW-63-P	15C-SW-63-P	1.90 (48)	6 (152)	48 (1,219)	0.83	(0.38)
2 SW	20A-SW-63-P	20C-SW-63-P	2.37 (60)	6 (152)	48 (1,219)	0.95	(0.43)
2 1/2 SW	25A-SW-63-P	25C-SW-63-P	2.88 (73)	6 (152)	48 (1,219)	1.15	(0.52)
3 SW	30A-SW-63-P	30C-SW-63-P	3.50 (89)	6 (152)	48 (1,219)	1.50	(0.68)
4 SW	40A-SW-63-P	40C-SW-63-P	4.46 (113)	6 (152)	48 (1,219)	1.80	(0.82)
4 HW	40A-HW-63-P	40C-HW-63-P	4.51 (114)	6 (152)	48 (1,219)	2.43	(1.10)
5 SW	50A-SW-63-P	50C-SW-63-P	5.52 (140)	6 (152)	48 (1,219)	2.25	(1.02)
5 MW	50A-MW-63-P	50C-MW-63-P	5.57 (141)	6 (152)	48 (1,219)	3.00	(1.36)
5 HW	50A-HW-63-P	50C-HW-63-P	5.60 (142)	6 (152)	48 (1,219)	3.25	(1.48)
6 SW	60A-SW-63-P	60C-SW-63-P	6.58 (167)	6 (152)	48 (1,219)	2.00	(0.91)
6 MW	60A-MW-63-P	60C-MW-63-P	6.63 (168)	6 (152)	48 (1,219)	2.84	(1.29)
6 HW	60A-HW-63-P	60C-HW-63-P	6.66 (170)	6 (152)	48 (1,219)	3.26	(1.48)

Nominal Size Type	ID Item No.		M	O-Tangent (min)	R - Radius (min)	Weight	
	Belowground	Aboveground				lbs	kg
2 SW	20B-SW-63-P	20D-SW-63-P	2.14 (54)	6 (152)	48 (1,219)	0.85	(0.50)
2 1/2 SW	25B-SW-63-P	25D-SW-63-P	2.64 (67)	6 (152)	48 (1,219)	1.05	(0.64)
3 SW	30B-SW-63-P	30D-SW-63-P	3.14 (80)	6 (152)	48 (1,219)	1.20	(0.77)
3 1/2 SW	35B-SW-63-P	35D-SW-63-P	3.64 (92)	6 (152)	48 (1,219)	1.50	(0.77)
4 SW	40B-SW-63-P	40D-SW-63-P	4.14 (105)	6 (152)	48 (1,219)	1.73	(0.95)
4 HW	40B-HW-63-P	40D-HW-63-P	4.19 (106)	6 (152)	48 (1,219)	2.30	(1.23)
4 1/2 SW	45B-SW-63-P	45D-SW-63-P	4.64 (117)	6 (152)	48 (1,219)	1.88	(1.73)
4 1/2 HW	45B-HW-63-P	45D-HW-63-P	4.69 (118)	6 (152)	48 (1,219)	2.60	(2.00)
5 SW	50B-SW-63-P	50D-SW-63-P	5.14 (131)	6 (152)	48 (1,219)	2.13	(1.23)
5 MW	50B-MW-63-P	50D-MW-63-P	5.19 (132)	6 (152)	48 (1,219)	2.83	(1.59)
5 HW	50B-HW-63-P	50D-HW-63-P	5.22 (133)	6 (152)	48 (1,219)	3.30	(1.86)
6 SW	60B-SW-63-P	60D-SW-63-P	6.14 (156)	6 (152)	48 (1,219)	2.00	(0.91)
6 MW	60B-MW-63-P	60D-MW-63-P	6.19 (157)	6 (152)	48 (1,219)	2.84	(1.29)
6 HW	60B-HW-63-P	60D-HW-63-P	6.22 (158)	6 (152)	48 (1,219)	3.26	(1.48)

Nominal Size Type	Item No.		M	O-Tangent (min)	R - Radius (min)	Weight	
	Belowground	Aboveground				lbs	kg
2 XW	20B-XW-63-P	20D-XW-63-P	2.50 (65)	6 (152)	48 (1,219)	3.15	(1.43)
2 1/2 XW	25B-XW-63-P	25D-XW-63-P	3.00 (76)	6 (152)	48 (1,219)	3.85	(1.75)
3 XW	30B-XW-63-P	30D-XW-63-P	3.50 (89)	6 (152)	48 (1,219)	4.55	(2.07)
3 1/2 XW	35B-XW-63-P	35D-XW-63-P	4.00 (102)	6 (152)	48 (1,219)	5.25	(2.38)
4 XW	40B-XW-63-P	40D-XW-63-P	4.50 (114)	6 (152)	48 (1,219)	5.95	(2.70)
5 XW	50B-XW-63-P	50D-XW-63-P	5.50 (140)	6 (152)	48 (1,219)	7.35	(3.34)
6 XW	60B-XW-63-P	60D-XW-63-P	6.50 (165)	6 (152)	48 (1,219)	8.75	(3.97)

ELBOWS

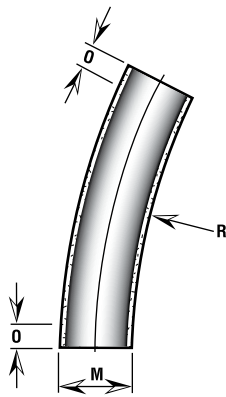


22½° X 60"

Nominal Size	Type	IPS Item No.		M	O-Tangent (min)	R - Radius (min)	Weight	
		Belowground	Aboveground				lbs	kg
¾	SW	07A-SW-64-P	07C-SW-64-P	1.05 (27)	6 (152)	60 (1,524)	0.50	(0.23)
1	SW	10A-SW-64-P	10C-SW-64-P	1.32 (33)	6 (152)	60 (1,524)	0.55	(0.25)
1¼	SW	12A-SW-64-P	12C-SW-64-P	1.66 (42)	6 (152)	60 (1,524)	0.67	(0.30)
1½	SW	15A-SW-64-P	15C-SW-64-P	1.90 (48)	6 (152)	60 (1,524)	0.96	(0.44)
2	SW	20A-SW-64-P	20C-SW-64-P	2.37 (60)	6 (152)	60 (1,524)	1.11	(0.50)
2½	SW	25A-SW-64-P	25C-SW-64-P	2.88 (73)	6 (152)	60 (1,524)	1.34	(0.61)
3	SW	30A-SW-64-P	30C-SW-64-P	3.50 (89)	6 (152)	60 (1,524)	1.75	(0.80)
4	SW	40A-SW-64-P	40C-SW-64-P	4.46 (113)	6 (152)	60 (1,524)	2.10	(0.95)
4	HW	40A-HW-64-P	40C-HW-64-P	4.51 (115)	6 (152)	60 (1,524)	2.83	(1.29)
5	SW	50A-SW-64-P	50C-SW-64-P	5.52 (140)	6 (152)	60 (1,524)	2.63	(1.19)
5	MW	50A-MW-64-P	50C-MW-64-P	5.57 (141)	6 (152)	60 (1,524)	3.50	(1.59)
5	HW	50A-HW-64-P	50C-HW-64-P	5.60 (142)	6 (152)	60 (1,524)	3.79	(1.72)
6	SW	60A-SW-64-P	60C-SW-64-P	6.58 (167)	6 (152)	60 (1,524)	2.92	(1.33)
6	MW	60A-MW-64-P	60C-MW-64-P	6.63 (168)	6 (152)	60 (1,524)	4.14	(1.88)
6	HW	60A-HW-64-P	60C-HW-64-P	6.66 (170)	6 (152)	60 (1,524)	4.75	(2.16)

Nominal Size	Type	ID Item No.		M	O-Tangent (min)	R - Radius (min)	Weight	
		Belowground	Aboveground				lbs	kg
2	SW	20B-SW-64-P	20D-SW-64-P	2.14 (54)	6 (152)	60 (1,524)	0.99	(0.45)
2½	SW	25B-SW-64-P	25D-SW-64-P	2.64 (67)	6 (152)	60 (1,524)	1.23	(0.56)
3	SW	30B-SW-64-P	30D-SW-64-P	3.14 (80)	6 (152)	60 (1,524)	1.40	(0.64)
3½	SW	35B-SW-64-P	35D-SW-64-P	3.64 (92)	6 (152)	60 (1,524)	1.75	(0.80)
4	SW	40B-SW-64-P	40D-SW-64-P	4.14 (105)	6 (152)	60 (1,524)	2.01	(0.91)
4	HW	40B-HW-64-P	40D-HW-64-P	4.19 (106)	6 (152)	60 (1,524)	2.68	(1.22)
4½	SW	45B-SW-64-P	45D-SW-64-P	4.64 (117)	6 (152)	60 (1,524)	2.19	(0.99)
4½	HW	45B-HW-64-P	45D-HW-64-P	4.69 (118)	6 (152)	60 (1,524)	3.03	(1.38)
5	SW	50B-SW-64-P	50D-SW-64-P	5.14 (131)	6 (152)	60 (1,524)	2.48	(1.13)
5	MW	50B-MW-64-P	50D-MW-64-P	5.19 (132)	6 (152)	60 (1,524)	3.30	(1.50)
5	HW	50B-HW-64-P	50D-HW-64-P	5.22 (132)	6 (152)	60 (1,524)	3.85	(1.75)
6	SW	60B-SW-64-P	60D-SW-64-P	6.14 (156)	6 (152)	60 (1,524)	2.98	(1.35)
6	MW	60B-MW-64-P	60D-MW-64-P	6.19 (157)	6 (152)	60 (1,524)	3.94	(1.79)
6	HW	60B-HW-64-P	60D-HW-64-P	6.22 (158)	6 (152)	60 (1,524)	4.61	(2.09)

Nominal Size	Type	Item No.		M	O-Tangent (min)	R - Radius (min)	Weight	
		Belowground	Aboveground				lbs	kg
2	XW	20B-XW-64-P	20D-XW-64-P	2.50 (65)	6 (152)	60 (1,524)	3.68	(1.67)
2½	XW	25B-XW-64-P	25D-XW-64-P	3.00 (76)	6 (152)	60 (1,524)	4.50	(2.04)
3	XW	30B-XW-64-P	30D-XW-64-P	3.50 (89)	6 (152)	60 (1,524)	5.31	(2.41)
3½	XW	35B-XW-64-P	35D-XW-64-P	4.00 (102)	6 (152)	60 (1,524)	6.13	(2.78)
4½	XW	40B-XW-64-P	40D-XW-64-P	4.50 (114)	6 (152)	60 (1,524)	6.94	(3.15)
5	XW	50B-XW-64-P	50D-XW-64-P	5.50 (140)	6 (152)	60 (1,524)	8.58	(3.90)
6	XW	60B-XW-64-P	60D-XW-64-P	6.50 (165)	6 (152)	60 (1,524)	10.21	(4.64)

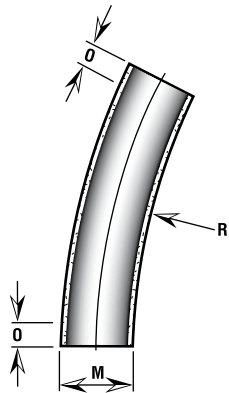


30° X 12"

Nominal Size	Type	IPS Item No.		M	O-Tangent (min)	R-Radius (min)	Weight	
		Belowground	Aboveground				lbs	kg
¾	SW	07A-SW-70-P	07C-SW-70-P	1.05 (27)	6 (152)	12 (305)	0.27	(0.12)
1	SW	10A-SW-70-P	10C-SW-70-P	1.32 (33)	6 (152)	12 (305)	0.30	(0.14)
1¼	SW	12A-SW-70-P	12C-SW-70-P	1.66 (42)	6 (152)	12 (305)	0.36	(0.16)
1½	SW	15A-SW-70-P	15C-SW-70-P	1.90 (48)	6 (152)	12 (305)	0.52	(0.24)
2	SW	20A-SW-70-P	20C-SW-70-P	2.37 (60)	6 (152)	12 (305)	0.60	(0.27)
2½	SW	25A-SW-70-P	25C-SW-70-P	2.88 (73)	6 (152)	12 (305)	0.73	(0.33)

Nominal Size	Type	IPS Item No.		M	O-Tangent (min)	R-Radius (min)	Weight	
		Belowground	Aboveground				lbs	kg
2	SW	20B-SW-70-P	20D-SW-70-P	2.14 (54)	6 (152)	12 (305)	0.54	(0.25)
2½	SW	25B-SW-70-P	25D-SW-70-P	2.64 (67)	6 (152)	12 (305)	0.67	(0.30)

Nominal Size	Type	IPS Item No.		M	O-Tangent (min)	R-Radius (min)	Weight	
		Belowground	Aboveground				lbs	kg
2	XW	20B-XW-70-P	20D-XW-70-P	2.50 (63)	6 (152)	12 (305)	2.00	(0.91)
2½	XW	25B-XW-70-P	25D-XW-70-P	3.00 (76)	6 (152)	12 (305)	2.44	(1.11)
3	XW	30B-XW-70-P	30D-XW-70-P	3.50 (89)	6 (152)	12 (305)	2.89	(1.31)
3½	XW	35B-XW-70-P	35D-XW-70-P	4.00 (102)	6 (152)	12 (305)	3.33	(1.51)

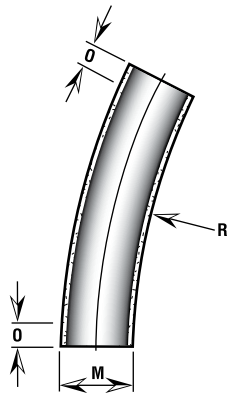


30° X 24"

Nominal Size	Type	IPS Item No.		M	O-Tangent (min)	R - Radius (min)	Weight	
		Belowground	Aboveground				lbs	kg
¾	SW	07A-SW-71-P	07C-SW-71-P	1.05 (27)	6 (152)	24 (610)	0.34	(0.15)
1	SW	10A-SW-71-P	10C-SW-71-P	1.32 (33)	6 (152)	24 (610)	0.38	(0.17)
1¼	SW	12A-SW-71-P	12C-SW-71-P	1.66 (42)	6 (152)	24 (610)	0.46	(0.21)
1½	SW	15A-SW-71-P	15C-SW-71-P	1.90 (48)	6 (152)	24 (610)	0.66	(0.30)
2	SW	20A-SW-71-P	20C-SW-71-P	2.37 (60)	6 (152)	24 (610)	0.76	(0.35)
2½	SW	25A-SW-71-P	25C-SW-71-P	2.88 (73)	6 (152)	24 (610)	0.92	(0.42)
3	SW	30A-SW-71-P	30C-SW-71-P	3.50 (89)	6 (152)	24 (610)	1.20	(0.54)
4	SW	40A-SW-71-P	40C-SW-71-P	4.46 (113)	6 (152)	24 (610)	1.44	(0.65)
4	HW	40A-HW-71-P	40C-HW-71-P	4.51 (114)	6 (152)	24 (610)	1.94	(0.88)

Nominal Size	Type	ID Item No.		M	O-Tangent (min)	R - Radius (min)	Weight	
		Belowground	Aboveground				lbs	kg
2	SW	20B-SW-71-P	20D-SW-71-P	2.14 (54)	6 (152)	24 (610)	0.68	(0.31)
2½	SW	25B-SW-71-P	25D-SW-71-P	2.64 (67)	6 (152)	24 (610)	0.84	(0.38)
3	SW	30B-SW-71-P	30D-SW-71-P	3.14 (80)	6 (152)	24 (610)	0.96	(0.44)
3½	SW	35B-SW-71-P	35D-SW-71-P	3.64 (92)	6 (152)	24 (610)	1.20	(0.54)
4	SW	40B-SW-71-P	40D-SW-71-P	4.14 (105)	6 (152)	24 (610)	1.38	(0.63)
4	HW	40B-HW-71-P	40D-HW-71-P	4.19 (106)	6 (152)	24 (610)	1.84	(0.84)

Nominal Size	Type	IPS Item No.		M	O-Tangent (min)	R - Radius (min)	Weight	
		Belowground	Aboveground				lbs	kg
2	XW	20B-XW-71-P	20D-XW-71-P	2.50 (65)	6 (152)	24 (610)	2.52	(1.14)
2½	XW	25B-XW-71-P	25D-XW-71-P	3.00 (76)	6 (152)	24 (610)	3.08	(1.40)
3	XW	30B-XW-71-P	30D-XW-71-P	3.50 (89)	6 (152)	24 (610)	3.72	(1.69)
3½	XW	35B-XW-71-P	35D-XW-71-P	4.00 (102)	6 (152)	24 (610)	4.30	(1.95)
4	XW	40B-XW-71-P	40D-XW-71-P	4.50 (114)	6 (152)	24 (610)	4.87	(2.21)



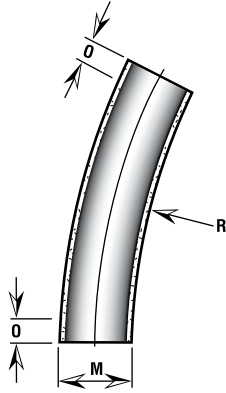
30° X 36"

Nominal Size	Type	IPS Item No.		M	O-Tangent (min)	R - Radius (min)	Weight	
		Belowground	Aboveground				lbs	kg
¾	SW	07A-SW-72-P	07C-SW-72-P	1.05 (27)	6 (152)	36 (914)	0.43	(0.15)
1	SW	10A-SW-72-P	10C-SW-72-P	1.32 (33)	6 (152)	36 (914)	0.48	(0.17)
1¼	SW	12A-SW-72-P	12C-SW-72-P	1.66 (42)	6 (152)	36 (914)	0.58	(0.21)
1½	SW	15A-SW-72-P	15C-SW-72-P	1.90 (48)	6 (152)	36 (914)	0.83	(0.30)
2	SW	20A-SW-72-P	20C-SW-72-P	2.37 (60)	6 (152)	36 (914)	0.95	(0.50)
2½	SW	25A-SW-72-P	25C-SW-72-P	2.88 (73)	6 (152)	36 (914)	1.15	(0.42)
3	SW	30A-SW-72-P	30C-SW-72-P	3.50 (89)	6 (152)	36 (914)	1.50	(0.77)
4	SW	40A-SW-72-P	40C-SW-72-P	4.46 (113)	6 (152)	36 (914)	1.80	(0.77)
4	HW	40A-HW-72-P	40C-HW-72-P	4.51 (115)	6 (152)	36 (914)	2.43	(0.95)
5	SW	50A-SW-72-P	50C-SW-72-P	5.52 (140)	6 (152)	36 (914)	2.25	(1.02)
5	MW	50A-MW-72-P	50C-MW-72-P	5.57 (141)	6 (152)	36 (914)	3.00	(1.36)
5	HW	50A-HW-72-P	50C-HW-72-P	5.60 (152)	6 (152)	36 (914)	3.31	(1.50)
6	SW	60A-SW-72-P	60C-SW-72-P	6.58 (167)	6 (152)	36 (914)	2.50	(1.14)
6	MW	60A-MW-72-P	60C-MW-72-P	6.63 (168)	6 (152)	36 (914)	3.56	(1.62)
6	HW	60A-HW-72-P	60C-HW-72-P	6.66 (169)	6 (152)	36 (914)	4.08	(1.85)

Nominal Size	Type	ID Item No.		M	O-Tangent (min)	R - Radius (min)	Weight	
		Belowground	Aboveground				lbs	kg
2	SW	20B-SW-72-P	20D-SW-72-P	2.14 (54)	6 (152)	36 (914)	0.85	(0.39)
2½	SW	25B-SW-72-P	25D-SW-72-P	2.64 (67)	6 (152)	36 (914)	1.05	(0.48)
3	SW	30B-SW-72-P	30D-SW-72-P	3.14 (80)	6 (152)	36 (914)	1.20	(0.55)
3½	SW	35B-SW-72-P	35D-SW-72-P	3.64 (92)	6 (152)	36 (914)	1.50	(0.68)
4	SW	40B-SW-72-P	40D-SW-72-P	4.14 (105)	6 (152)	36 (914)	1.73	(0.79)
4	HW	40B-HW-72-P	40D-HW-72-P	4.19 (106)	6 (152)	36 (914)	2.30	(1.04)
4½	SW	45B-SW-72-P	45D-SW-72-P	4.64 (117)	6 (152)	36 (914)	1.88	(0.85)
4½	HW	45B-HW-72-P	45D-HW-72-P	4.69 (118)	6 (152)	36 (914)	2.60	(1.18)
5	SW	50B-SW-72-P	50D-SW-72-P	5.14 (131)	6 (152)	36 (914)	2.13	(0.97)
5	MW	50B-MW-72-P	50D-MW-72-P	5.19 (132)	6 (152)	36 (914)	2.83	(1.28)
5	HW	50B-HW-72-P	50D-HW-72-P	5.22 (132)	6 (152)	36 (914)	3.25	(1.48)
6	SW	60B-SW-72-P	60D-SW-72-P	6.14 (156)	6 (152)	36 (914)	2.56	(1.16)
6	MW	60B-MW-72-P	60D-MW-72-P	6.19 (157)	6 (152)	36 (914)	3.38	(1.54)
6	HW	60B-HW-72-P	60D-HW-72-P	6.22 (158)	6 (152)	36 (914)	3.96	(1.80)

Nominal Size	Type	Item No.		M	O-Tangent (min)	R - Radius (min)	Weight	
		Belowground	Aboveground				lbs	kg
2	XW	20B-XW-72-P	20D-XW-72-P	2.50 (65)	6 (152)	36 (914)	3.15	(1.43)
2½	XW	25B-XW-72-P	25D-XW-72-P	3.00 (76)	6 (152)	36 (914)	3.85	(1.75)
3	XW	30B-XW-72-P	30D-XW-72-P	3.50 (89)	6 (152)	36 (914)	4.55	(2.07)
3½	XW	35B-XW-72-P	35D-XW-72-P	4.00 (102)	6 (152)	36 (914)	5.25	(2.38)
4	XW	40B-XW-72-P	40D-XW-72-P	4.50 (114)	6 (152)	36 (914)	5.95	(2.70)
5	XW	50B-XW-72-P	50D-XW-72-P	5.50 (140)	6 (152)	36 (914)	7.35	(3.34)
6	XW	60B-XW-72-P	60D-XW-72-P	6.50 (165)	6 (152)	36 (914)	8.75	(3.97)

ELBOWS

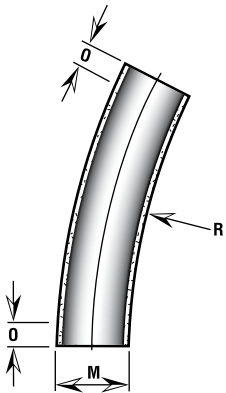


30° X 48"

Nominal Size	Type	IPS Item No.		M	O-Tangent (min)	R - Radius (min)	Weight	
		Belowground	Aboveground				lbs	kg
¾	SW	07A-SW-73-P	07C-SW-73-P	1.05 (27)	6 (152)	48 (1,219)	0.52	(0.24)
1	SW	10A-SW-73-P	10C-SW-73-P	1.32 (33)	6 (152)	48 (1,219)	0.59	(0.27)
1¼	SW	12A-SW-73-P	12C-SW-73-P	1.66 (42)	6 (152)	48 (1,219)	0.71	(0.32)
1½	SW	15A-SW-73-P	15C-SW-73-P	1.90 (48)	6 (152)	48 (1,219)	1.02	(0.46)
2	SW	20A-SW-73-P	20C-SW-73-P	2.37 (60)	6 (152)	48 (1,219)	1.17	(0.53)
2½	SW	25A-SW-73-P	25C-SW-73-P	2.88 (73)	6 (152)	48 (1,219)	1.42	(0.65)
3	SW	30A-SW-73-P	30C-SW-73-P	3.50 (89)	6 (152)	48 (1,219)	1.85	(0.84)
4	SW	40A-SW-73-P	40C-SW-73-P	4.46 (113)	6 (152)	48 (1,219)	2.22	(1.01)
4	HW	40A-HW-73-P	40C-HW-73-P	4.51 (114)	6 (152)	48 (1,219)	2.99	(1.36)
5	SW	50A-SW-73-P	50C-SW-73-P	5.52 (140)	6 (152)	48 (1,219)	2.78	(1.26)
5	MW	50A-MW-73-P	50C-MW-73-P	5.57 (141)	6 (152)	48 (1,219)	3.70	(1.68)
5	HW	50A-HW-73-P	50C-HW-73-P	5.60 (142)	6 (152)	48 (1,219)	4.01	(1.82)
6	SW	60A-SW-73-P	60C-SW-73-P	6.58 (167)	6 (152)	48 (1,219)	3.09	(1.40)
6	MW	60A-MW-73-P	60C-MW-73-P	6.63 (168)	6 (152)	48 (1,219)	4.38	(1.99)
6	HW	60A-HW-73-P	60C-HW-73-P	6.66 (169)	6 (152)	48 (1,219)	5.03	(2.28)

Nominal Size	Type	IPS Item No.		M	O-Tangent (min)	R-Radius (min)	Weight	
		Belowground	Aboveground				lbs	kg
2	SW	20B-SW-73-P	20D-SW-73-P	2.14 (54)	6 (152)	48 (1,219)	1.05	(0.48)
2½	SW	25B-SW-73-P	25D-SW-73-P	2.64 (67)	6 (152)	48 (1,219)	1.30	(0.59)
3	SW	30B-SW-73-P	30D-SW-73-P	3.14 (80)	6 (152)	48 (1,219)	1.48	(0.67)
3½	SW	35B-SW-73-P	35D-SW-73-P	3.64 (92)	6 (152)	48 (1,219)	1.85	(0.84)
4	SW	40B-SW-73-P	40D-SW-73-P	4.14 (105)	6 (152)	48 (1,219)	2.13	(0.97)
4	HW	40B-HW-73-P	40D-HW-73-P	4.19 (106)	6 (152)	48 (1,219)	2.84	(1.29)
4½	SW	45B-SW-73-P	45D-SW-73-P	4.64 (117)	6 (152)	48 (1,219)	2.31	(1.05)
4½	HW	45B-HW-73-P	45D-HW-73-P	4.69 (118)	6 (152)	48 (1,219)	3.21	(1.46)
5	SW	50B-SW-73-P	50D-SW-73-P	5.14 (131)	6 (152)	48 (1,219)	2.62	(1.19)
5	MW	50B-MW-73-P	50D-MW-73-P	5.19 (132)	6 (152)	48 (1,219)	3.48	(1.58)
5	HW	50B-HW-73-P	50D-HW-73-P	5.22 (133)	6 (152)	48 (1,219)	4.07	(1.85)
6	SW	60B-SW-73-P	60D-SW-73-P	6.14 (156)	6 (152)	48 (1,219)	3.14	(1.42)
6	MW	60B-MW-73-P	60D-MW-73-P	6.19 (157)	6 (152)	48 (1,219)	4.16	(1.89)
6	HW	60B-HW-73-P	60D-HW-73-P	6.22 (158)	6 (152)	48 (1,219)	4.87	(2.21)

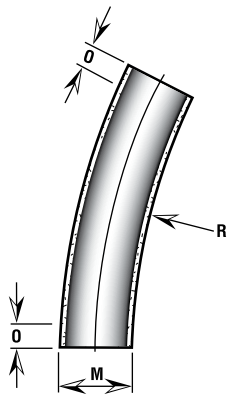
Nominal Size	Type	IPS Item No.		M	O-Tangent (min)	R-Radius (min)	Weight	
		Belowground	Aboveground				lbs	kg
2	XW	20B-XW-73-P	20D-XW-73-P	2.50 (65)	6 (152)	48 (1,219)	3.89	(1.77)
2½	XW	25B-XW-73-P	25D-XW-73-P	3.00 (76)	6 (152)	48 (1,219)	4.75	(2.16)
3	XW	30B-XW-73-P	30D-XW-73-P	3.50 (89)	6 (152)	48 (1,219)	5.61	(2.55)
3½	XW	35B-XW-73-P	35D-XW-73-P	4.00 (102)	6 (152)	48 (1,219)	6.47	(2.94)
4½	XW	40B-XW-73-P	40D-XW-73-P	4.50 (114)	6 (152)	48 (1,219)	7.34	(3.33)
5	XW	50B-XW-73-P	50D-XW-73-P	5.50 (140)	6 (152)	48 (1,219)	9.07	(4.12)
6	XW	60B-XW-73-P	60D-XW-73-P	6.50 (165)	6 (152)	48 (1,219)	10.79	(4.90)



30° X 60"

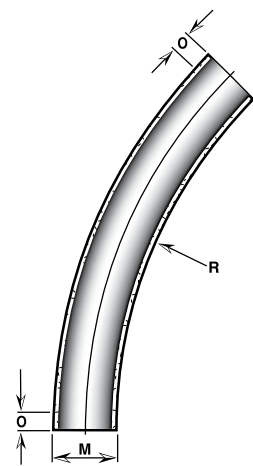
Nominal Size	Type	IPS Item No.		M	O-Tangent (min)	R - Radius (min)	Weight	
		Belowground	Aboveground				lbs	kg
¾	SW	07A-SW-74-P	07C-SW-74-P	1.05 (27)	6 (152)	60 (1,524)	0.61	(0.28)
1	SW	10A-SW-74-P	10C-SW-74-P	1.32 (33)	6 (152)	60 (1,524)	0.68	(0.31)
1¼	SW	12A-SW-74-P	12C-SW-74-P	1.66 (42)	6 (152)	60 (1,524)	0.82	(0.37)
1½	SW	15A-SW-74-P	15C-SW-74-P	1.90 (48)	6 (152)	60 (1,524)	1.18	(0.54)
2	SW	20A-SW-74-P	20C-SW-74-P	2.37 (60)	6 (152)	60 (1,524)	1.36	(0.62)
2½	SW	25A-SW-74-P	25C-SW-74-P	2.88 (73)	6 (152)	60 (1,524)	1.65	(0.75)
3	SW	30A-SW-74-P	30C-SW-74-P	3.50 (89)	6 (152)	60 (1,524)	2.15	(0.98)
4	SW	40A-SW-74-P	40C-SW-74-P	4.46 (113)	6 (152)	60 (1,524)	2.58	(1.17)
4	HW	40A-HW-74-P	40C-HW-74-P	4.51 (115)	6 (152)	60 (1,524)	3.48	(1.58)
5	SW	50A-SW-74-P	50C-SW-74-P	5.52 (140)	6 (152)	60 (1,524)	3.23	(1.47)
5	MW	50A-MW-74-P	50C-MW-74-P	5.57 (141)	6 (152)	60 (1,524)	4.30	(1.95)
5	HW	50A-HW-74-P	50C-HW-74-P	5.60 (142)	6 (152)	60 (1,524)	4.66	(2.12)
6	SW	60A-SW-74-P	60C-SW-74-P	6.58 (167)	6 (152)	60 (1,524)	3.58	(1.63)
6	MW	60A-MW-74-P	60C-MW-74-P	6.63 (168)	6 (152)	60 (1,524)	5.09	(2.31)
6	HW	60A-HW-74-P	60C-HW-74-P	6.66 (169)	6 (152)	60 (1,524)	5.84	(2.65)

Nominal Size	Type	ID Item No.		M	O-Tangent (min)	R - Radius (min)	Weight	
		Belowground	Aboveground				lbs	kg
2	SW	20B-SW-74-P	20D-SW-74-P	2.14 (54)	6 (152)	60 (1,524)	1.22	(0.55)
2½	SW	25B-SW-74-P	25D-SW-74-P	2.64 (67)	6 (152)	60 (1,524)	1.51	(0.69)
3	SW	30B-SW-74-P	30D-SW-74-P	3.14 (80)	6 (152)	60 (1,524)	1.72	(0.78)
3½	SW	35B-SW-74-P	35D-SW-74-P	3.64 (92)	6 (152)	60 (1,524)	2.15	(0.98)
4	SW	40B-SW-74-P	40D-SW-74-P	4.14 (105)	6 (152)	60 (1,524)	2.47	(1.12)
4	HW	40B-HW-74-P	40D-HW-74-P	4.19 (106)	6 (152)	60 (1,524)	3.30	(1.50)
4½	SW	45B-SW-74-P	45D-SW-74-P	4.64 (117)	6 (152)	60 (1,524)	2.69	(1.22)
4½	HW	45B-HW-74-P	45D-HW-74-P	4.69 (118)	6 (152)	60 (1,524)	3.73	(1.69)
5	SW	50B-SW-74-P	50D-SW-74-P	5.14 (131)	6 (152)	60 (1,524)	3.05	(1.39)
5	MW	50B-MW-74-P	50D-MW-74-P	5.19 (132)	6 (152)	60 (1,524)	4.05	(1.84)
5	HW	50B-HW-74-P	50D-HW-74-P	5.22 (132)	6 (152)	60 (1,524)	4.73	(2.15)
6	SW	60B-SW-74-P	60D-SW-74-P	6.14 (156)	6 (152)	60 (1,524)	3.66	(1.66)
6	MW	60B-MW-74-P	60D-MW-74-P	6.19 (157)	6 (152)	60 (1,524)	4.84	(2.20)
6	HW	60B-HW-74-P	60D-HW-74-P	6.22 (158)	6 (152)	60 (1,524)	5.66	(2.57)



30° X 60"

Nominal Size	Type	Item No.		M	O-Tangent (min)	R - Radius (min)	Weight	
		Belowground	Aboveground				lbs	kg
2	XW	20B-XW-74-P	20D-XW-74-P	2.50 (65)	6 (152)	60 (1,524)	4.52	(2.05)
2½	XW	25B-XW-74-P	25D-XW-74-P	3.00 (76)	6 (152)	60 (1,524)	5.52	(2.51)
3	XW	30B-XW-74-P	30D-XW-74-P	3.50 (89)	6 (152)	60 (1,524)	6.52	(2.96)
3½	XW	35B-XW-74-P	35D-XW-74-P	4.00 (102)	6 (152)	60 (1,524)	7.53	(3.42)
4	XW	40B-XW-74-P	40D-XW-74-P	4.50 (114)	6 (152)	60 (1,524)	8.53	(3.87)
5	XW	50B-XW-74-P	50D-XW-74-P	5.50 (140)	6 (152)	60 (1,524)	10.54	(4.79)
6	XW	60B-XW-74-P	60D-XW-74-P	6.50 (165)	6 (152)	60 (1,524)	12.55	(5.70)

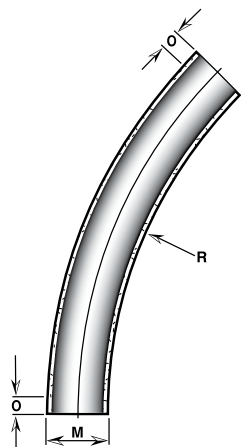


45° X 12"

Nominal Size	Type	IPS Item No.		M	O-Tangent (min)	R-Radius (min)	Weight	
		Belowground	Aboveground				lbs	kg
¾	SW	07A-SW-80-P	07C-SW-80-P	1.05 (27)	6 (152)	12 (305)	0.30	(0.14)
1	SW	10A-SW-80-P	10C-SW-80-P	1.32 (33)	6 (152)	12 (305)	0.33	(0.15)
1¼	SW	12A-SW-80-P	12C-SW-80-P	1.66 (42)	6 (152)	12 (305)	0.40	(0.18)
1½	SW	15A-SW-80-P	15C-SW-80-P	1.90 (48)	6 (152)	12 (305)	0.58	(0.26)
2	SW	20A-SW-80-P	20C-SW-80-P	2.37 (60)	6 (152)	12 (305)	0.67	(0.30)
2½	SW	25A-SW-80-P	25C-SW-80-P	2.88 (73)	6 (152)	12 (305)	0.81	(0.37)

Nominal Size	Type	ID Item No.		M	O-Tangent (min)	R - Radius (min)	Weight	
		Belowground	Aboveground				lbs	kg
2	SW	20B-SW-80-P	20D-SW-80-P	2.14 (54)	6 (152)	12 (305)	0.60	(0.27)
2½	SW	25B-SW-80-P	25D-SW-80-P	2.64 (67)	6 (152)	12 (305)	0.74	(0.34)

Nominal Size	Type	Item No.		M	O-Tangent (min)	R - Radius (min)	Weight	
		Belowground	Aboveground				lbs	kg
2	XW	20B-XW-80-P	20D-XW-80-P	2.50 (63)	6 (152)	12 (305)	2.21	(1.00)
2½	XW	25B-XW-80-P	25D-XW-80-P	3.00 (76)	6 (152)	12 (305)	2.70	(1.22)
3	XW	30B-XW-80-P	30D-XW-80-P	3.50 (89)	6 (152)	12 (305)	2.89	(1.31)
3½	XW	35B-XW-80-P	35D-XW-80-P	4.00 (102)	6 (152)	12 (305)	3.68	(1.67)



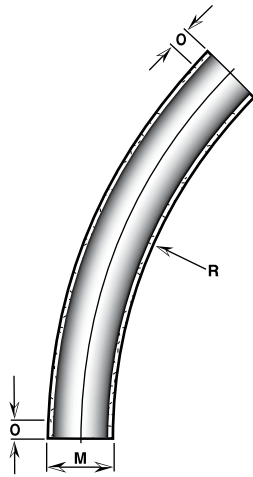
45° X 24"

Nominal Size	Type	IPS Item No.		M	O-Tangent (min)	R-Radius (min)	Weight	
		Belowground	Aboveground				lbs	kg
¾	SW	07A-SW-81-P	07C-SW-81-P	1.05 (27)	6 (152)	24 (610)	0.43	(0.20)
1	SW	10A-SW-81-P	10C-SW-81-P	1.32 (33)	6 (152)	24 (610)	0.48	(0.22)
1¼	SW	12A-SW-81-P	12C-SW-81-P	1.66 (42)	6 (152)	24 (610)	0.58	(0.26)
1½	SW	15A-SW-81-P	15C-SW-81-P	1.90 (48)	6 (152)	24 (610)	0.83	(0.38)
2	SW	20A-SW-81-P	20C-SW-81-P	2.37 (60)	6 (152)	24 (610)	0.95	(0.43)
2½	SW	25A-SW-81-P	25C-SW-81-P	2.88 (73)	6 (152)	24 (610)	1.15	(0.52)
3	SW	30A-SW-81-P	30C-SW-81-P	3.50 (89)	6 (152)	24 (610)	1.96	(0.89)
4	SW	40A-SW-81-P	40C-SW-81-P	4.46 (113)	6 (152)	24 (610)	2.35	(1.07)
4	HW	40A-HW-81-P	40C-HW-81-P	4.51 (114)	6 (152)	24 (610)	3.17	(1.44)

Nominal Size	Type	ID Item No.		M	O-Tangent (min)	R - Radius (min)	Weight	
		Belowground	Aboveground				lbs	kg
2	SW	20B-SW-81-P	20D-SW-81-P	2.14 (54)	6 (152)	24 (610)	0.85	(0.39)
2½	SW	25B-SW-81-P	25D-SW-81-P	2.64 (67)	6 (152)	24 (610)	1.05	(0.48)
3	SW	30B-SW-81-P	30D-SW-81-P	3.14 (80)	6 (152)	24 (610)	1.57	(0.71)
3½	SW	35B-SW-81-P	35D-SW-81-P	3.64 (92)	6 (152)	24 (610)	1.96	(0.89)
4	SW	40B-SW-81-P	40D-SW-81-P	4.14 (105)	6 (152)	24 (610)	2.25	(1.02)
4	HW	40B-HW-81-P	40D-HW-81-P	4.19 (106)	6 (152)	24 (610)	3.00	(1.36)

Nominal Size	Type	Item No.		M	O-Tangent (min)	R - Radius (min)	Weight	
		Belowground	Aboveground				lbs	kg
2	XW	20B-XW-81-P	20D-XW-81-P	2.50 (65)	6 (152)	24 (610)	3.15	(1.43)
2½	XW	25B-XW-81-P	25D-XW-81-P	3.00 (76)	6 (152)	24 (610)	3.85	(1.75)
3	XW	30B-XW-81-P	30D-XW-81-P	3.50 (89)	6 (152)	24 (610)	4.55	(2.07)
3½	XW	35B-XW-81-P	35D-XW-81-P	4.00 (102)	6 (152)	24 (610)	5.24	(2.38)
4	XW	40B-XW-81-P	40D-XW-81-P	4.50 (114)	6 (152)	24 (610)	5.95	(2.70)

ELBOWS

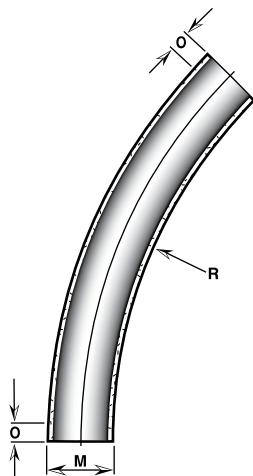


45° X 36"

Nominal Size	Type	IPS Item No.		M	O-Tangent (min)	R - Radius (min)	Weight	
		Belowground	Aboveground				lbs	kg
¾	SW	07A-SW-82-P	07C-SW-82-P	1.05 (27)	6 (152)	36 (914)	0.57 (0.26)	
1	SW	10A-SW-82-P	10C-SW-82-P	1.32 (33)	6 (152)	36 (914)	0.63 (0.29)	
1¼	SW	12A-SW-82-P	12C-SW-82-P	1.66 (42)	6 (152)	36 (914)	0.77 (0.35)	
1½	SW	15A-SW-82-P	15C-SW-82-P	1.90 (48)	6 (152)	36 (914)	1.10 (0.50)	
2	SW	20A-SW-82-P	20C-SW-82-P	2.37 (60)	6 (152)	36 (914)	1.27 (0.58)	
2½	SW	25A-SW-82-P	25C-SW-82-P	2.88 (73)	6 (152)	36 (914)	1.53 (0.7)	
3	SW	30A-SW-82-P	30C-SW-82-P	3.50 (89)	6 (152)	36 (914)	2.00 (0.91)	
4	SW	40A-SW-82-P	40C-SW-82-P	4.46 (113)	6 (152)	36 (914)	2.40 (1.09)	
4	HW	40A-HW-82-P	40C-HW-82-P	4.50 (114)	6 (152)	36 (914)	3.23 (1.47)	
5	SW	50A-SW-82-P	50C-SW-82-P	5.52 (140)	6 (152)	36 (914)	3.00 (1.36)	
5	MW	50A-MW-82-P	50C-MW-82-P	5.57 (141)	6 (152)	36 (914)	4.00 (1.81)	
5	HW	50A-HW-82-P	50C-HW-82-P	5.60 (152)	6 (152)	36 (914)	4.39 (2.00)	
6	SW	60A-SW-82-P	60C-SW-82-P	6.58 (167)	6 (152)	36 (914)	3.33 (1.51)	
6	MW	60A-MW-82-P	60C-MW-82-P	6.63 (168)	6 (152)	36 (914)	4.73 (2.15)	
6	HW	60A-HW-82-P	60C-HW-82-P	6.66 (169)	6 (152)	36 (914)	5.43 (2.46)	

Nominal Size	Type	ID Item No.		M	O-Tangent (min)	R - Radius (min)	Weight	
		Belowground	Aboveground				lbs	kg
2	SW	20B-SW-82-P	20D-SW-82-P	2.14 (54)	6 (152)	36 (914)	1.13 (0.51)	
2½	SW	25B-SW-82-P	25D-SW-82-P	2.64 (67)	6 (152)	36 (914)	1.40 (0.64)	
3	SW	30B-SW-82-P	30D-SW-82-P	3.14 (80)	6 (152)	36 (914)	1.60 (0.73)	
3½	SW	35B-SW-82-P	35D-SW-82-P	3.64 (92)	6 (152)	36 (914)	2.00 (0.91)	
4	SW	40B-SW-82-P	40D-SW-82-P	4.14 (105)	6 (152)	36 (914)	2.30 (1.04)	
4	HW	40B-HW-82-P	40D-HW-82-P	4.19 (106)	6 (152)	36 (914)	3.07 (1.39)	
4½	SW	45B-SW-82-P	45D-SW-82-P	4.64 (117)	6 (152)	36 (914)	3.65 (1.66)	
4½	HW	45B-HW-82-P	45D-HW-82-P	4.69 (118)	6 (152)	36 (914)	4.00 (1.82)	
5	SW	50B-SW-82-P	50D-SW-82-P	5.14 (131)	6 (152)	36 (914)	2.83 (1.28)	
5	MW	50B-MW-82-P	50D-MW-82-P	5.19 (132)	6 (152)	36 (914)	3.76 (1.71)	
5	HW	50B-HW-82-P	50D-HW-82-P	5.22 (132)	6 (152)	36 (914)	4.33 (1.96)	
6	SW	60B-SW-82-P	60D-SW-82-P	6.14 (156)	6 (152)	36 (914)	3.40 (1.54)	
6	MW	60B-MW-82-P	60D-MW-82-P	6.19 (157)	6 (152)	36 (914)	4.50 (2.04)	
6	HW	60B-HW-82-P	60D-HW-82-P	6.22 (158)	6 (152)	36 (914)	5.26 (2.39)	

Nominal Size	Type	Item No.		M	O-Tangent (min)	R - Radius (min)	Weight	
		Belowground	Aboveground				lbs	kg
2	XW	20B-XW-82-P	20D-XW-82-P	2.50 (65)	6 (152)	36 (914)	4.20 (1.91)	
2½	XW	25B-XW-82-P	25D-XW-82-P	3.00 (76)	6 (152)	36 (914)	5.13 (2.33)	
3	XW	30B-XW-82-P	30D-XW-82-P	3.50 (89)	6 (152)	36 (914)	6.07 (2.76)	
3½	XW	35B-XW-82-P	35D-XW-82-P	4.00 (102)	6 (152)	36 (914)	6.99 (3.18)	
4	XW	40B-XW-82-P	40D-XW-82-P	4.59 (114)	6 (152)	36 (914)	7.93 (3.60)	
5	XW	50B-XW-82-P	50D-XW-82-P	5.50 (140)	6 (152)	36 (914)	9.79 (4.44)	
6	XW	60B-XW-82-P	60D-XW-82-P	6.50 (165)	6 (152)	36 (914)	11.65 (5.29)	

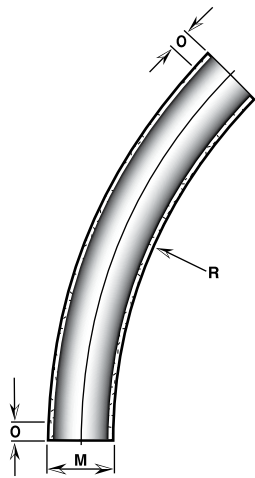


45° X 48"

Nominal Size	Type	IPS Item No.		M	O-Tangent (min)	R - Radius (min)	Weight	
		Belowground	Aboveground				lbs	kg
¾	SW	07A-SW-83-P	07C-SW-83-P	1.05 (27)	6 (152)	48 (1,219)	0.69 (0.31)	
1	SW	10A-SW-83-P	10C-SW-83-P	1.32 (33)	6 (152)	48 (1,219)	0.78 (0.35)	
1¼	SW	12A-SW-83-P	12C-SW-83-P	1.66 (42)	6 (152)	48 (1,219)	0.94 (0.43)	
1½	SW	15A-SW-83-P	15C-SW-83-P	1.90 (48)	6 (152)	48 (1,219)	1.35 (0.61)	
2	SW	20A-SW-83-P	20C-SW-83-P	2.37 (60)	6 (152)	48 (1,219)	1.55 (0.70)	
2½	SW	25A-SW-83-P	25C-SW-83-P	2.88 (73)	6 (152)	48 (1,219)	1.88 (0.85)	
3	SW	30A-SW-83-P	30C-SW-83-P	3.50 (89)	6 (152)	48 (1,219)	2.45 (1.11)	
4	SW	40A-SW-83-P	40C-SW-83-P	4.46 (113)	6 (152)	48 (1,219)	2.94 (1.34)	
4	HW	40A-HW-83-P	40C-HW-83-P	4.51 (114)	6 (152)	48 (1,219)	3.96 (1.80)	
5	SW	50A-SW-83-P	50C-SW-83-P	5.52 (140)	6 (152)	48 (1,219)	3.68 (1.67)	
5	MW	50A-MW-83-P	50C-MW-83-P	5.57 (141)	6 (152)	48 (1,219)	4.90 (2.23)	
5	HW	50A-HW-83-P	50C-HW-83-P	5.60 (142)	6 (152)	48 (1,219)	5.31 (2.41)	
6	SW	60A-SW-83-P	60C-SW-83-P	6.58 (167)	6 (152)	48 (1,219)	4.09 (1.86)	
6	MW	60A-MW-83-P	60C-MW-83-P	6.63 (168)	6 (152)	48 (1,219)	5.80 (2.63)	
6	HW	60A-HW-83-P	60C-HW-83-P	6.66 (169)	6 (152)	48 (1,219)	6.66 (3.02)	

Nominal Size	Type	ID Item No.		M	O-Tangent (min)	R - Radius (min)	Weight	
		Belowground	Aboveground				lbs	kg
2	SW	20B-SW-83-P	20D-SW-83-P	2.14 (54)	6 (152)	48 (1,219)	1.39 (0.63)	
2½	SW	25B-SW-83-P	25D-SW-83-P	2.64 (67)	6 (152)	48 (1,219)	1.72 (0.78)	
3	SW	30B-SW-83-P	30D-SW-83-P	3.14 (80)	6 (152)	48 (1,219)	1.96 (0.89)	
3½	SW	35B-SW-83-P	35D-SW-83-P	3.64 (92)	6 (152)	48 (1,219)	2.45 (1.11)	
4	SW	40B-SW-83-P	40D-SW-83-P	4.14 (105)	6 (152)	48 (1,219)	2.82 (1.28)	
4	HW	40B-HW-83-P	40D-HW-83-P	4.19 (106)	6 (152)	48 (1,219)	3.76 (1.71)	
4½	SW	45B-SW-83-P	45D-SW-83-P	4.64 (117)	6 (152)	48 (1,219)	3.06 (1.39)	
4½	HW	45B-HW-83-P	45D-HW-83-P	4.69 (118)	6 (152)	48 (1,219)	4.25 (1.93)	
5	SW	50B-SW-83-P	50D-SW-83-P	5.14 (131)	6 (152)	48 (1,219)	3.47 (1.58)	
5	MW	50B-MW-83-P	50D-MW-83-P	5.19 (132)	6 (152)	48 (1,219)	4.61 (2.09)	
5	HW	50B-HW-83-P	50D-HW-83-P	5.22 (133)	6 (152)	48 (1,219)	5.39 (2.45)	
6	SW	60B-SW-83-P	60D-SW-83-P	6.14 (156)	6 (152)	48 (1,219)	4.16 (1.89)	
6	MW	60B-MW-83-P	60D-MW-83-P	6.19 (157)	6 (152)	48 (1,219)	5.51 (2.50)	
6	HW	60B-HW-83-P	60D-HW-83-P	6.22 (158)	6 (152)	48 (1,219)	6.45 (2.93)	

Nominal Size	Type	Item No.		M	O-Tangent (min)	R - Radius (min)	Weight	
		Belowground	Aboveground				lbs	kg
2	XW	20B-XW-83-P	20D-XW-83-P	2.50 (65)	6 (152)	48 (1,219)	5.15 (2.34)	
2½	XW	25B-XW-83-P	25D-XW-83-P	3.00 (76)	6 (152)	48 (1,219)	6.29 (2.85)	
3	XW	30B-XW-83-P	30D-XW-83-P	3.50 (89)	6 (152)	48 (1,219)	7.43 (3.37)	
3½	XW	35B-XW-83-P	35D-XW-83-P	4.00 (102)	6 (152)	48 (1,219)	8.57 (3.89)	
4	XW	40B-XW-83-P	40D-XW-83-P	4.50 (114)	6 (152)	48 (1,219)	9.72 (4.41)	
5	XW	50B-XW-83-P	50D-XW-83-P	5.50 (140)	6 (152)	48 (1,219)	12.01 (5.45)	
6	XW	60B-XW-83-P	60D-XW-83-P	6.50 (165)	6 (152)	48 (1,219)	14.29 (6.49)	

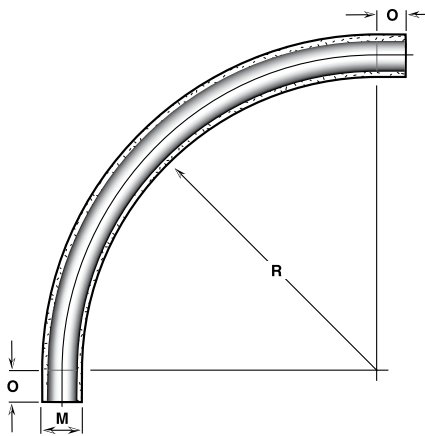


45° X 60"

Nominal Size	Type	IPS Item No.		M	O-Tangent (min)	R - Radius (min)	Weight	
		Belowground	Aboveground				lbs	kg
¾	SW	07A-SW-84-P	07C-SW-84-P	1.05 (27)	6 (152)	60 (1,524)	0.85	(0.39)
1	SW	10A-SW-84-P	10C-SW-84-P	1.32 (33)	6 (152)	60 (1,524)	0.95	(0.43)
1¼	SW	12A-SW-84-P	12C-SW-84-P	1.66 (42)	6 (152)	60 (1,524)	1.15	(0.52)
1½	SW	15A-SW-84-P	15C-SW-84-P	1.90 (48)	6 (152)	60 (1,524)	1.65	(0.75)
2	SW	20A-SW-84-P	20C-SW-84-P	2.37 (60)	6 (152)	60 (1,524)	1.90	(0.86)
2½	SW	25A-SW-84-P	25C-SW-84-P	2.88 (73)	6 (152)	60 (1,524)	2.30	(1.04)
3	SW	30A-SW-84-P	30C-SW-84-P	3.50 (89)	6 (152)	60 (1,524)	3.00	(1.36)
4	SW	40A-SW-84-P	40C-SW-84-P	4.46 (113)	6 (152)	60 (1,524)	3.60	(1.63)
4	HW	40A-HW-84-P	40C-HW-84-P	4.51 (115)	6 (152)	60 (1,524)	4.85	(2.20)
5	SW	50A-SW-84-P	50C-SW-84-P	5.52 (140)	6 (152)	60 (1,524)	4.50	(2.04)
5	MW	50A-MW-84-P	50C-MW-84-P	5.57 (141)	6 (152)	60 (1,524)	6.00	(2.72)
5	HW	50A-HW-84-P	50C-HW-84-P	5.60 (142)	6 (152)	60 (1,524)	6.50	(2.95)
6	SW	60A-SW-84-P	60C-SW-84-P	6.58 (167)	6 (152)	60 (1,524)	5.00	(2.27)
6	MW	60A-MW-84-P	60C-MW-84-P	6.63 (168)	6 (152)	60 (1,524)	7.10	(3.22)
6	HW	60A-HW-84-P	60C-HW-84-P	6.66 (169)	6 (152)	60 (1,524)	8.15	(3.70)

Nominal Size	Type	ID Item No.		M	O-Tangent (min)	R - Radius (min)	Weight	
		Belowground	Aboveground				lbs	kg
2	SW	20B-SW-84-P	20D-SW-84-P	2.14 (54)	6 (152)	60 (1,524)	1.70	(0.77)
2½	SW	25B-SW-84-P	25D-SW-84-P	2.64 (67)	6 (152)	60 (1,524)	2.10	(0.95)
3	SW	30B-SW-84-P	30D-SW-84-P	3.14 (80)	6 (152)	60 (1,524)	2.40	(1.09)
3½	SW	35B-SW-84-P	35D-SW-84-P	3.64 (92)	6 (152)	60 (1,524)	3.00	(1.36)
4	SW	40B-SW-84-P	40D-SW-84-P	4.14 (105)	6 (152)	60 (1,524)	3.45	(1.57)
4	HW	40B-HW-84-P	40D-HW-84-P	4.19 (106)	6 (152)	60 (1,524)	4.60	(2.09)
4½	SW	45B-SW-84-P	45D-SW-84-P	4.64 (117)	6 (152)	60 (1,524)	3.75	(1.70)
4½	HW	45B-HW-84-P	45D-HW-84-P	4.69 (118)	6 (152)	60 (1,524)	5.20	(2.36)
5	SW	50B-SW-84-P	50D-SW-84-P	5.14 (131)	6 (152)	60 (1,524)	4.25	(1.93)
5	MW	50B-MW-84-P	50D-MW-84-P	5.19 (132)	6 (152)	60 (1,524)	5.65	(2.57)
5	HW	50B-HW-84-P	50D-HW-84-P	5.22 (132)	6 (152)	60 (1,524)	6.60	(3.00)
6	SW	60B-SW-84-P	60D-SW-84-P	6.14 (156)	6 (152)	60 (1,524)	5.10	(2.32)
6	MW	60B-MW-84-P	60D-MW-84-P	6.19 (157)	6 (152)	60 (1,524)	6.75	(3.07)
6	HW	60B-HW-84-P	60D-HW-84-P	6.22 (158)	6 (152)	60 (1,524)	7.90	(3.59)

Nominal Size	Type	Item No.		M	O-Tangent (min)	R - Radius (min)	Weight	
		Belowground	Aboveground				lbs	kg
2	XW	20B-XW-84-P	20D-XW-84-P	2.50 (65)	6 (152)	60 (1,524)	6.30	(2.86)
2½	XW	25B-XW-84-P	25D-XW-84-P	3.00 (76)	6 (152)	60 (1,524)	7.70	(3.50)
3	XW	30B-XW-84-P	30D-XW-84-P	3.50 (89)	6 (152)	60 (1,524)	9.10	(4.13)
3½	XW	35B-XW-84-P	35D-XW-84-P	4.00 (102)	6 (152)	60 (1,524)	10.50	(4.77)
4	XW	40B-XW-84-P	40D-XW-84-P	4.50 (114)	6 (152)	60 (1,524)	11.90	(5.40)
5	XW	50B-XW-84-P	50D-XW-84-P	5.50 (140)	6 (152)	60 (1,524)	14.70	(6.67)
6	XW	60B-XW-84-P	60D-XW-84-P	6.50 (165)	6 (152)	60 (1,524)	17.50	(7.94)



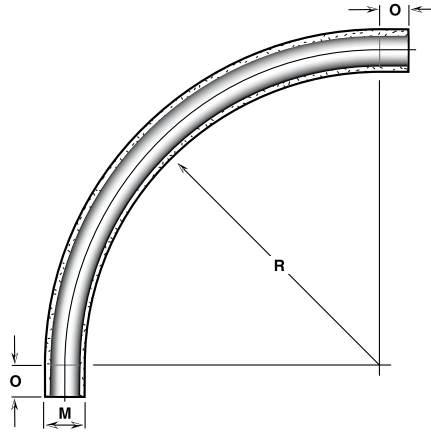
90° X 12"

Nominal Size	Type	IPS Item No.		M	O-Tangent (min)	R-Radius (min)	Weight	
		Belowground	Aboveground				lbs	kg
¾	SW	07A-SW-90-P	07C-SW-90-P	1.05 (27)	6 (152)	12 (305)	0.43	(0.20)
1	SW	10A-SW-90-P	10C-SW-90-P	1.32 (33)	6 (152)	12 (305)	0.48	(0.22)
1¼	SW	12A-SW-90-P	12C-SW-90-P	1.66 (42)	6 (152)	12 (305)	0.58	(0.26)
1½	SW	15A-SW-90-P	15C-SW-90-P	1.90 (48)	6 (152)	12 (305)	0.83	(0.38)
2	SW	20A-SW-90-P	20C-SW-90-P	2.37 (60)	6 (152)	12 (305)	0.95	(0.43)
2½	SW	25A-SW-90-P	25C-SW-90-P	2.88 (73)	6 (152)	12 (305)	1.15	(0.52)

Nominal Size	Type	ID Item No.		M	O-Tangent (min)	R - Radius (min)	Weight	
		Belowground	Aboveground				lbs	kg
2	SW	20B-SW-90-P	20D-SW-90-P	2.14 (54)	6 (152)	12 (305)	0.85	(0.39)
2½	SW	25B-SW-90-P	25D-SW-90-P	2.64 (67)	6 (152)	12 (305)	1.05	(0.48)

Nominal Size	Type	Item No.		M	O-Tangent (min)	R - Radius (min)	Weight	
		Belowground	Aboveground				lbs	kg
2	XW	20B-XW-90-P	20D-XW-90-P	2.50 (63)	6 (152)	12 (305)	3.15	(1.43)
2½	XW	25B-XW-90-P	25D-XW-90-P	3.00 (76)	6 (152)	12 (305)	3.85	(1.75)
3	XW	30B-XW-90-P	30D-XW-90-P	3.50 (89)	6 (152)	12 (305)	4.55	(2.06)
3½	XW	35B-XW-90-P	35D-XW-90-P	4.00 (102)	6 (152)	12 (305)	5.25	(2.38)

ELBOWS

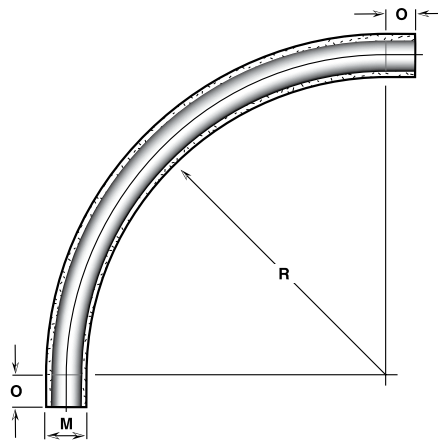


90° X 24"

Nominal Size	Type	IPS Item No.		M	O-Tangent (min)	R-Radius (min)	Weight	
		Belowground	Aboveground				lbs	kg
¾	SW	07A-SW-91-P	07C-SW-91-P	1.05 (27)	6 (152)	24 (610)	0.71	(0.32)
1	SW	10A-SW-91-P	10C-SW-91-P	1.32 (33)	6 (152)	24 (610)	0.79	(0.36)
1¼	SW	12A-SW-91-P	12C-SW-91-P	1.66 (42)	6 (152)	24 (610)	0.96	(0.44)
1½	SW	15A-SW-91-P	15C-SW-91-P	1.90 (48)	6 (152)	24 (610)	1.38	(0.63)
2	SW	20A-SW-91-P	20C-SW-91-P	2.37 (60)	6 (152)	24 (610)	1.58	(0.72)
2½	SW	25A-SW-91-P	25C-SW-91-P	2.88 (73)	6 (152)	24 (610)	1.92	(0.87)
3	SW	30A-SW-91-P	30C-SW-91-P	3.50 (89)	6 (152)	24 (610)	2.50	(1.14)
4	SW	40A-SW-91-P	40C-SW-91-P	4.46 (113)	6 (152)	24 (610)	3.00	(1.36)
4	HW	40A-HW-91-P	40C-HW-91-P	4.51 (115)	6 (152)	24 (610)	4.04	(1.83)

Nominal Size	Type	ID Item No.		M	O-Tangent (min)	R-Radius (min)	Weight	
		Belowground	Aboveground				lbs	kg
2	SW	20B-SW-91-P	20D-SW-91-P	2.14 (54)	6 (152)	24 (610)	1.42	(0.65)
2½	SW	25B-SW-91-P	25D-SW-91-P	2.64 (67)	6 (152)	24 (610)	1.75	(0.80)
3	SW	30B-SW-91-P	30D-SW-91-P	3.14 (80)	6 (152)	24 (610)	2.00	(0.91)
4	SW	40B-SW-91-P	40D-SW-91-P	4.14 (105)	6 (152)	24 (610)	2.88	(1.30)
4	HW	40A-HW-91-P	40C-HW-91-P	4.19 (106)	6 (152)	24 (610)	3.84	(1.74)

Nominal Size	Type	Item No.		M	O-Tangent (min)	R-Radius (min)	Weight	
		Belowground	Aboveground				lbs	kg
2	XW	20B-XW-91-P	20D-XW-91-P	2.50 (65)	6 (152)	24 (610)	5.25	(2.38)
2½	XW	25B-XW-91-P	25D-XW-91-P	3.00 (76)	6 (152)	24 (610)	6.42	(2.92)
3	XW	30B-XW-91-P	30D-XW-91-P	3.50 (89)	6 (152)	24 (610)	7.58	(3.44)
3½	XW	35B-XW-91-P	35D-XW-91-P	4.00 (102)	6 (152)	24 (610)	8.76	(3.98)
4	XW	40B-XW-91-P	40D-XW-91-P	4.50 (114)	6 (152)	24 (610)	9.92	(4.50)

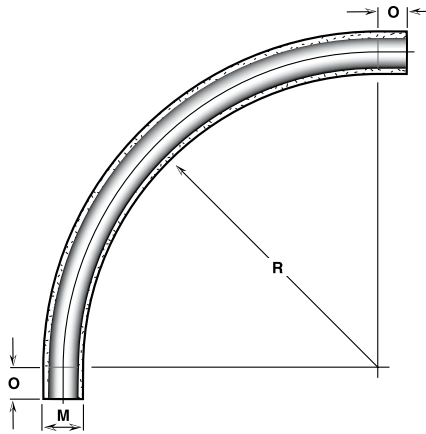


90° X 36"

Nominal Size	Type	IPS Item No.		M	O-Tangent (min)	R-Radius (min)	Weight	
		Belowground	Aboveground				lbs	kg
¾	SW	07A-SW-92-P	07C-SW-92-P	1.05 (27)	6 (152)	36 (914)	0.96	(0.44)
1	SW	10A-SW-92-P	10C-SW-92-P	1.32 (33)	6 (152)	36 (914)	1.08	(0.49)
1¼	SW	12A-SW-92-P	12C-SW-92-P	1.66 (42)	6 (152)	36 (914)	1.30	(0.59)
1½	SW	15A-SW-92-P	15C-SW-92-P	1.90 (48)	6 (152)	36 (914)	1.87	(0.85)
2	SW	20A-SW-92-P	20C-SW-92-P	2.37 (60)	6 (152)	36 (914)	2.15	(0.98)
2½	SW	25A-SW-92-P	25C-SW-92-P	2.88 (73)	6 (152)	36 (914)	2.61	(1.19)
3	SW	30A-SW-92-P	30C-SW-92-P	3.50 (89)	6 (152)	36 (914)	3.40	(1.54)
4	SW	40A-SW-92-P	40C-SW-92-P	4.46 (113)	6 (152)	36 (914)	4.08	(1.85)
4	HW	40A-HW-92-P	40C-HW-92-P	4.51 (115)	6 (152)	36 (914)	5.50	(2.50)
5	SW	50A-SW-92-P	50C-SW-92-P	5.52 (140)	6 (152)	36 (914)	5.14	(2.34)
5	MW	50A-MW-92-P	50C-MW-92-P	5.57 (141)	6 (152)	36 (914)	6.85	(3.08)
5	HW	50A-HW-92-P	50C-HW-92-P	5.60 (142)	6 (152)	36 (914)	7.54	(3.42)
6	SW	60A-SW-92-P	60C-SW-92-P	6.58 (167)	6 (152)	36 (914)	5.71	(2.57)
6	MW	60A-MW-92-P	60C-MW-92-P	6.63 (168)	6 (152)	36 (914)	8.11	(3.65)
6	HW	60A-HW-92-P	60C-HW-92-P	6.66 (169)	6 (152)	36 (914)	9.31	(4.19)

Nominal Size	Type	ID Item No.		M	O-Tangent (min)	R-Radius (min)	Weight	
		Belowground	Aboveground				lbs	kg
2	SW	20B-SW-92-P	20D-SW-92-P	2.14 (54)	6 (152)	36 (914)	1.93	(1.14)
2½	SW	25B-SW-92-P	25D-SW-92-P	2.64 (67)	6 (152)	36 (914)	2.38	(1.36)
3	SW	30B-SW-92-P	30D-SW-92-P	3.14 (80)	6 (152)	36 (914)	2.72	(1.59)
3½	SW	35B-SW-92-P	35D-SW-92-P	3.64 (92)	6 (152)	36 (914)	3.40	(1.63)
4	SW	40B-SW-92-P	40D-SW-92-P	4.14 (105)	6 (152)	36 (914)	3.91	(1.68)
4	HW	40B-HW-92-P	40D-HW-92-P	4.19 (106)	6 (152)	36 (914)	5.21	(2.09)
4½	SW	45B-SW-92-P	45D-SW-92-P	4.64 (117)	6 (152)	36 (914)	4.25	(1.86)
4½	HW	45B-HW-92-P	45D-HW-92-P	4.69 (118)	6 (152)	36 (914)	5.89	(2.27)
5	SW	50B-SW-92-P	50D-SW-92-P	5.14 (131)	6 (152)	36 (914)	4.86	(2.18)
5	MW	50B-MW-92-P	50D-MW-92-P	5.19 (132)	6 (152)	36 (914)	6.45	(2.90)
5	HW	50B-HW-92-P	50D-HW-92-P	5.22 (132)	6 (152)	36 (914)	7.42	(3.34)
6	SW	60B-SW-92-P	60D-SW-92-P	6.14 (156)	6 (152)	36 (914)	5.83	(2.62)
6	MW	60B-MW-92-P	60D-MW-92-P	6.19 (157)	6 (152)	36 (914)	7.71	(3.47)
6	HW	60B-HW-92-P	60D-HW-92-P	6.22 (158)	6 (152)	36 (914)	9.02	(4.06)

Nominal Size	Type	Item No.		M	O-Tangent (min)	R-Radius (min)	Weight	
		Belowground	Aboveground				lbs	kg
2	XW	20B-XW-92-P	20D-XW-92-P	2.50 (65)	6 (152)	36 (914)	7.14	(3.24)
2½	XW	25B-XW-92-P	25D-XW-92-P	3.00 (76)	6 (152)	36 (914)	8.73	(3.96)
3	XW	30B-XW-92-P	30D-XW-92-P	3.50 (89)	6 (152)	36 (914)	10.31	(4.68)
3½	XW	35B-XW-92-P	35D-XW-92-P	4.00 (102)	6 (152)	36 (914)	11.90	(5.40)
4	XW	40B-XW-92-P	40D-XW-92-P	4.50 (114)	6 (152)	36 (914)	13.49	(6.12)
5	XW	50B-XW-92-P	50D-XW-92-P	5.50 (140)	6 (152)	36 (914)	16.79	(7.56)
6	XW	60B-XW-92-P	60D-XW-92-P	6.50 (165)	6 (152)	36 (914)	19.99	(9.00)

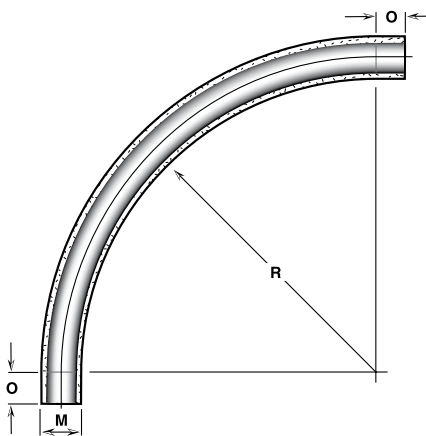


90° X 48"

Nominal Size	Type	IPS Item No.		M	O-Tangent (min)	R - Radius (min)	Weight	
		Belowground	Aboveground				lbs	kg
¾	SW	07A-SW-93-P	07C-SW-93-P	1.05 (27)	6 (152)	48 (1,219)	1.36	(0.62)
1	SW	10A-SW-93-P	10C-SW-93-P	1.32 (33)	6 (152)	48 (1,219)	1.52	(0.69)
1¼	SW	12A-SW-93-P	12C-SW-93-P	1.66 (42)	6 (152)	48 (1,219)	1.84	(0.84)
1½	SW	15A-SW-93-P	15C-SW-93-P	1.90 (48)	6 (152)	48 (1,219)	2.64	(1.20)
2	SW	20A-SW-93-P	20C-SW-93-P	2.37 (60)	6 (152)	48 (1,219)	3.04	(1.38)
2½	SW	25A-SW-93-P	25C-SW-93-P	2.88 (73)	6 (152)	48 (1,219)	3.68	(1.67)
3	SW	30A-SW-93-P	30C-SW-93-P	3.50 (89)	6 (152)	48 (1,219)	4.80	(2.18)
4	SW	40A-SW-93-P	40C-SW-93-P	4.46 (113)	6 (152)	48 (1,219)	5.76	(2.62)
4	HW	40A-HW-93-P	40C-HW-93-P	4.51 (114)	6 (152)	48 (1,219)	7.76	(3.52)
5	SW	50A-SW-93-P	50C-SW-93-P	5.52 (140)	6 (152)	48 (1,219)	7.20	(3.27)
5	MW	50A-MW-93-P	50C-MW-93-P	5.57 (141)	6 (152)	48 (1,219)	9.60	(4.36)
5	HW	50A-HW-93-P	50C-HW-93-P	5.60 (142)	6 (152)	48 (1,219)	10.40	(4.72)
6	SW	60A-SW-93-P	60C-SW-93-P	6.58 (167)	6 (152)	48 (1,219)	8.64	(3.92)
6	MW	60A-MW-93-P	60C-MW-93-P	6.63 (168)	6 (152)	48 (1,219)	11.52	(5.23)
6	HW	60A-HW-93-P	60C-HW-93-P	6.66 (169)	6 (152)	48 (1,219)	12.67	(5.75)

Nominal Size	Type	ID Item No.		M	O-Tangent (min)	R - Radius (min)	Weight	
		Belowground	Aboveground				lbs	kg
2	SW	20B-SW-93-P	20D-SW-93-P	2.14 (54)	6 (152)	48 (1,219)	2.72	(1.24)
2½	SW	25B-SW-93-P	25D-SW-93-P	2.64 (67)	6 (152)	48 (1,219)	3.36	(1.53)
3	SW	30B-SW-93-P	30D-SW-93-P	3.14 (80)	6 (152)	48 (1,219)	3.84	(1.74)
3½	SW	35B-SW-93-P	35D-SW-93-P	3.64 (92)	6 (152)	48 (1,219)	4.80	(2.18)
4	SW	40B-SW-93-P	40D-SW-93-P	4.14 (105)	6 (152)	48 (1,219)	5.52	(2.51)
4	HW	40B-HW-93-P	40D-HW-93-P	4.19 (106)	6 (152)	48 (1,219)	7.36	(3.34)
4½	SW	45B-SW-93-P	45D-SW-93-P	4.64 (117)	6 (152)	48 (1,219)	6.00	(2.72)
4½	HW	45B-HW-93-P	45D-HW-93-P	4.69 (118)	6 (152)	48 (1,219)	8.32	(3.78)
5	SW	50B-SW-93-P	50D-SW-93-P	5.14 (131)	6 (152)	48 (1,219)	6.80	(3.09)
5	MW	50B-MW-93-P	50D-MW-93-P	5.19 (132)	6 (152)	48 (1,219)	9.04	(4.10)
5	HW	50B-HW-93-P	50D-HW-93-P	5.22 (133)	6 (152)	48 (1,219)	10.56	(4.79)
6	SW	60B-SW-93-P	60D-SW-93-P	6.14 (156)	6 (152)	48 (1,219)	8.16	(3.70)
6	MW	60B-MW-93-P	60D-MW-93-P	6.19 (157)	6 (152)	48 (1,219)	10.85	(4.92)
6	HW	60B-HW-93-P	60D-HW-93-P	6.22 (158)	6 (152)	48 (1,219)	12.48	(5.66)

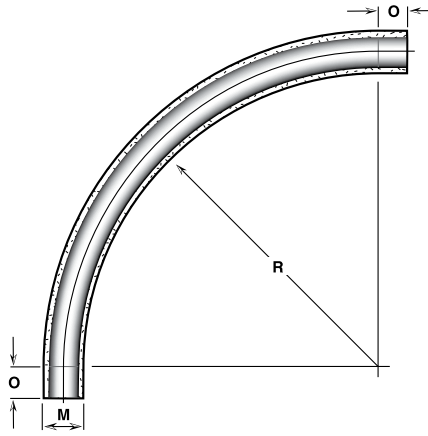
Nominal Size	Type	Item No.		M	O-Tangent (min)	R - Radius (min)	Weight	
		Belowground	Aboveground				lbs	kg
2	XW	20B-XW-93-P	20D-XW-93-P	2.50 (65)	6 (152)	48 (1,219)	10.08	(4.58)
2½	XW	25B-XW-93-P	25D-XW-93-P	3.00 (76)	6 (152)	48 (1,219)	12.32	(5.59)
3	XW	30B-XW-93-P	30D-XW-93-P	3.50 (89)	6 (152)	48 (1,219)	14.56	(6.61)
3½	XW	35B-XW-93-P	35D-XW-93-P	4.00 (102)	6 (152)	48 (1,219)	16.80	(7.63)
4	XW	40B-XW-93-P	40D-XW-93-P	4.50 (114)	6 (152)	48 (1,219)	19.04	(8.64)
5	XW	50B-XW-93-P	50D-XW-93-P	5.50 (140)	6 (152)	48 (1,219)	23.52	(10.68)
6	XW	60B-XW-93-P	60D-XW-93-P	6.50 (165)	6 (152)	48 (1,219)	28.00	(12.71)



90° X 60"

Nominal Size	Type	IPS Item No.		M	O-Tangent (min)	R - Radius (min)	Weight	
		Belowground	Aboveground				lbs	kg
¾	SW	07A-SW-94-P	07C-SW-94-P	1.05 (27)	6 (152)	60 (1,524)	1.50	(0.68)
1	SW	10A-SW-94-P	10C-SW-94-P	1.32 (33)	6 (152)	60 (1,524)	1.68	(0.76)
1¼	SW	12A-SW-94-P	12C-SW-94-P	1.66 (42)	6 (152)	60 (1,524)	2.03	(0.92)
1½	SW	15A-SW-94-P	15C-SW-94-P	1.90 (48)	6 (152)	60 (1,524)	2.92	(1.33)
2	SW	20A-SW-94-P	20C-SW-94-P	2.37 (60)	6 (152)	60 (1,524)	3.36	(1.53)
2½	SW	25A-SW-94-P	25C-SW-94-P	2.88 (73)	6 (152)	60 (1,524)	4.06	(1.84)
3	SW	30A-SW-94-P	30C-SW-94-P	3.50 (89)	6 (152)	60 (1,524)	5.30	(2.41)
4	SW	40A-SW-94-P	40C-SW-94-P	4.46 (113)	6 (152)	60 (1,524)	6.36	(2.89)
4	HW	40A-HW-94-P	40C-HW-94-P	4.51 (115)	6 (152)	60 (1,524)	8.57	(3.89)
5	SW	50A-SW-94-P	50C-SW-94-P	5.52 (140)	6 (152)	60 (1,524)	7.95	(3.61)
5	MW	50A-MW-94-P	50C-MW-94-P	5.57 (141)	6 (152)	60 (1,524)	10.60	(4.81)
5	HW	50A-HW-94-P	50C-HW-94-P	5.60 (142)	6 (152)	60 (1,524)	11.48	(5.21)
6	SW	60A-SW-94-P	60C-SW-94-P	6.58 (167)	6 (152)	60 (1,524)	8.83	(4.01)
6	MW	60A-MW-94-P	60C-MW-94-P	6.63 (168)	6 (152)	60 (1,524)	12.54	(5.69)
6	HW	60A-HW-94-P	60C-HW-94-P	6.66 (169)	6 (152)	60 (1,524)	14.40	(6.54)

ELBOWS



90° X 60"

Note: For different radii, degree and/or length for any elbows listed in this catalog, please contact your local sales representative or Champion Fiberglass. Please specify if such an arrangement is required.

For technical information regarding fittings and elbows for 8", 10", and 12" conduit, please contact your local sales representative or Champion Fiberglass.

Nominal Size	Type	ID Item No. Belowground	Aboveground	M	O-Tangent (min)	R - Radius (min)	Weight lbs	kg
2	SW	20B-SW-94-P	20D-SW-94-P	2.14 (54)	6 (152)	60 (1,524)	3.00	(1.36)
2½	SW	25B-SW-94-P	25D-SW-94-P	2.64 (67)	6 (152)	60 (1,524)	3.71	(1.68)
3	SW	30B-SW-94-P	30D-SW-94-P	3.14 (80)	6 (152)	60 (1,524)	4.24	(1.93)
3½	SW	35B-SW-94-P	35D-SW-94-P	3.64 (92)	6 (152)	60 (1,524)	5.30	(2.41)
4	SW	40B-SW-94-P	40D-SW-94-P	4.14 (105)	6 (152)	60 (1,524)	6.10	(2.77)
4	HW	40B-HW-94-P	40D-HW-94-P	4.19 (106)	6 (152)	60 (1,524)	8.13	(3.69)
4½	SW	45B-SW-94-P	45D-SW-94-P	4.64 (117)	6 (152)	60 (1,524)	6.63	(3.01)
4½	HW	45B-HW-94-P	45D-HW-94-P	4.69 (118)	6 (152)	60 (1,524)	9.19	(4.17)
5	SW	50B-SW-94-P	50D-SW-94-P	5.14 (131)	6 (152)	60 (1,524)	7.51	(3.41)
5	MW	50B-MW-94-P	50D-MW-94-P	5.19 (132)	6 (152)	60 (1,524)	9.98	(4.53)
5	HW	50B-HW-94-P	50D-HW-94-P	5.22 (132)	6 (152)	60 (1,524)	11.66	(5.29)
6	SW	60B-SW-94-P	60D-SW-94-P	6.14 (156)	6 (152)	60 (1,524)	9.01	(4.09)
6	MW	60B-MW-94-P	60D-MW-94-P	6.19 (157)	6 (152)	60 (1,524)	11.93	(5.42)
6	HW	60B-HW-94-P	60D-HW-94-P	6.22 (158)	6 (152)	60 (1,524)	13.96	(6.34)

Nominal Size	Type	Item No. Belowground	Aboveground	M	O-Tangent (min)	R - Radius (min)	Weight lbs	kg
2	XW	20B-XW-94-P	20D-XW-94-P	2.50 (65)	6 (152)	60 (1,524)	11.13	(5.05)
2½	XW	25B-XW-94-P	25D-XW-94-P	3.00 (76)	6 (152)	60 (1,524)	13.61	(6.18)
3	XW	30B-XW-94-P	30D-XW-94-P	3.50 (89)	6 (152)	60 (1,524)	16.08	(7.30)
3½	XW	35B-XW-94-P	35D-XW-94-P	4.00 (102)	6 (152)	60 (1,524)	18.55	(8.42)
4	XW	40B-XW-94-P	40D-XW-94-P	4.50 (114)	6 (152)	60 (1,524)	21.02	(9.54)
5	XW	50B-XW-94-P	50D-XW-94-P	5.50 (140)	6 (152)	60 (1,524)	25.97	(11.79)
6	XW	60B-XW-94-P	60D-XW-94-P	6.50 (165)	6 (152)	60 (1,524)	30.92	(14.04)

IPS STANDARD RADIUS ELBOWS

Standard radius elbows are available in 11¼, 22½, 30 and 45 degree bends as well. Please contact factory for additional information regarding pricing, dimensions, weights and part numbers.

Nominal Size	Type	IPS Item No. Belowground	Aboveground	M	O-Tangent (min)	R-Radius (min)	Weight lbs	kg
¾	SW	07A-SW-9SR-P	07C-SW-9SR-P	1.05 (27)	6 (152)	4.50 (114)	0.27	(0.1)
1	SW	10A-SW-9SR-P	10C-SW-9SR-P	1.32 (33)	6 (152)	5.75 (146)	0.33	(0.2)
1¼	SW	12A-SW-9SR-P	12C-SW-9SR-P	1.66 (42)	6 (152)	7.25 (184)	0.46	(0.2)
1½	SW	15A-SW-9SR-P	15C-SW-9SR-P	1.90 (48)	6 (152)	8.25 (210)	0.68	(0.3)
2	SW	20A-SW-9SR-P	20C-SW-9SR-P	2.37 (60)	6 (152)	9.50 (241)	0.87	(0.4)

XW STANDARD RADIUS ELBOWS

Standard radius elbows are available in 11¼, 22½, 30 and 45 degree bends as well. Please contact factory for additional information regarding pricing, dimensions, weights and part numbers.

Nominal Size	Type	Item No.	M	O-Tangent (min)	R - Radius (min)	Weight lbs	kg
¾	XW	07C-XW-9SR-P	1.05 (27)	6 (152)	4.50 (114)	.98	(0.4)
1	XW	10C-XW-9SR-P	1.32 (33)	6 (152)	5.75 (146)	1.19	(0.5)
1¼	XW	12C-XW-9SR-P	1.66 (42)	6 (152)	7.25 (184)	1.62	(0.7)
1½	XW	15C-XW-9SR-P	1.90 (48)	6 (152)	8.25 (210)	2.42	(1.1)
2	XW	20D-XW-9SR-P	2.37 (60)	6 (152)	9.50 (241)	2.87	(1.3)

ELBOWS WITH BONDED ON PVC COUPLINGS



Standard PVC Coupling



Deep Socket PVC Coupling



Standard PVC Coupling bonded onto fiberglass elbow.

Elbows can be supplied with one or two PVC bonded couplings. Replace P suffix with: 1V for one coupling or 2V for two couplings.



Deep Socket PVC Coupling bonded onto fiberglass elbow.

Elbows can be supplied with one or two PVC bonded couplings. Replace P suffix with: 1D for one coupling or 2D for two couplings.