



RGRM

Parts List
07-December-2013



*This parts list is current as of the above revision date.
See <http://www.rheempartslists.net/92-42800-RGRM.pdf> for the current revision.*

95% Gas Furnaces - 2 Stage

Table of Contents

Model Explanation	Page 3
Parts Numbers	
Panels - Miscellaneous (1)	Page 4
Panels - Miscellaneous (2)	Page 5
Electrical Group	Page 6
Blower Group	Page 7
Heat Exchanger-Burner Group	Page 8
Gas Controls	Page 8
Orifice Selection Chart	Page 9
Drawings/Photographs	
Exploded View	Page 10
Blower Assembly	Page 11
Burner Assembly	Page 12
Notes/Disclaimer	Page 13

MODEL NUMBER EXPLANATION

R	G	R	M	-	0	4	E	M	A	E	S	**
(1)	(2)	(3)	(4)			(5)		(6)	(7)	(8)	(9)	(10)

(1) **TRADEBRAND IDENTIFICATION**

(2) **MODEL**
G = Gas Furnace

(3) **TYPE**
R = Upflow Condensing

(4) **DESIGN SERIES**
M = 2 Stage, 90+ w/Variable Speed ECM Motor

(5) **HEATING INPUT DE** Input BTU/HR
Electric NOX
Ignition
04E 04N = 45,000
06E 06N = 60,000
07E 07N = 75,000
09E 09N = 90,000
10E 10N = 105,000
12E 12N = 120,000

(6) **BLOWER DESIGNATION**
M = 11 x 7
R = 11 x 10
Z = 12 x 11
Y = 12 x 7

(7) **VARIATIONS**
A = Standard
B = Wide Cabinet

(8) **AIRFLOW**
E = 1100-1300 CFM
G = 1500-1700 CFM
J = 1900-2100 CFM

(9) **FUEL DESIGNATION**
S = Natural Gas

(10) 12-11 Housing with 11-10 Wheel

SERIAL NUMBER EXPLANATION (Units Produced before Nov. 2013)

H	J	5	D	7	0	7	F	3	1	0	3	9	9	9	9
(1)	(2)	(3)	(4)	(5)	(6)	(7)	(8)	(9)	(10)						

(1) **GAS CODE**

(2) **LIMIT CONTROL**

(3) **BLOWER**

(4) **HEATING ELEMENT**

(5) **SPECIAL AREA REQUIREMENT**

(6) **MOTOR HORSEPOWER**

(7) **PLANT**
F = Fort Smith, AR

(8) **WEEK**

(9) **YEAR**

(10) **PRODUCTION NUMBER**

SERIAL NUMBER EXPLANATION (Units Produced after Nov. 2013)

F	0	8	1	3	9	9	9	9
(1)	(2)		(3)		(4)			

(1) **PLANT CODE**

(2) **WEEK (DATE CODE)**

(3) **YEAR**

(4) **PRODUCTION NUMBER**

Note: For Gas Code, see Control System Gas Code on Rating Plate

No.	Notes	MODEL HEATING CAPACITY BLOWER DESIGNATION VARIATION AIRFLOW	RGRM 04 M A E	RGRM 06 M A E	RGRM 07 M A E	RGRM 07 Y B G	RGRM 09 Z A J
PANELS, SHEET METAL, MISCELLANEOUS							
1	5	Jacket (See Note 5)	N/A	N/A	N/A	N/A	N/A
4	4	Outlet Air Pipe	68-24021-01	68-24021-01	68-24021-01	68-24021-01 (See Note 4)	68-24021-01
5		Gasket - Outlet Air Pipe	68-24022-02	68-24022-02	68-24022-02	68-24022-02	68-24022-02
6		Top Plate	AS-61872-01	AS-61872-01	AS-61872-01	AS-61872-02	AS-61872-02
		Gasket - Top Plate	AE-61871-01	AE-61871-01	AE-61871-01	AE-61871-02	AE-61871-02
		Gasket - Front Base Angle	68-102435-01	68-102435-01	68-102435-01	68-102435-02	68-102435-02
7		Locknut - Fresh Air Damper	64-24031-01	64-24031-01	64-24031-01	64-24031-01	64-24031-01
8		Burner Compartment Door (Neutra Green)	AS-61905-01	AS-61905-01	AS-61905-01	AS-61906-01	AS-61906-01
8		Burner Compartment Door (Granite/Steel Gray)	AS-61905-03	AS-61905-03	AS-61905-03	AS-61906-02	AS-61906-02
9		Blower/Filter Door (Neutra Green)	AS-61908-03	AS-61908-03	AS-61908-03	AS-61909-03	AS-61909-03
9		Blower/Filter Door (Granite/Steel Gray)	AS-61908-04	AS-61908-04	AS-61908-04	AS-61909-04	AS-61909-04
10		Filter - Plastic	54-24094-01	54-24094-01	54-24094-01	54-24094-02	54-24094-02
		Filter Retainer Rod	45-24095-01	45-24095-01	45-24095-01	45-24095-01	45-24095-01
		Filter Rod Support Angle	AE-60520-01	AE-60520-01	AE-60520-01	AE-60520-01	AE-60520-01
		Filter Support Angle	AE-61883-01	AE-61883-01	AE-61883-01	AE-61883-01	AE-61883-01
11		Solid Bottom	AE-61874-02	AE-61874-02	AE-61874-02	AE-61874-03	AE-61874-03
A		Button Plug - 2 in. opening	45-22980-08	45-22980-08	45-22980-08	45-22980-08	45-22980-08
B		Button Plug (2) - 2-3/8 in. opening	45-22980-03	45-22980-03	45-22980-03	45-22980-03	45-22980-03
12		Pressure Switch Assembly	See Electrical Group				
		Silicon Tubing - Pressure Switch	AE-61737-10	AE-61737-10	AE-61737-10	AE-61737-10	AE-61737-10
13		Trap / Elbow Assembly	68-100651-01	68-100651-01	68-100651-01	68-100651-01	68-100651-01
14		Water Trap Mount Bracket	AE-61841-01	AE-61841-01	AE-61841-01	AE-61841-01	AE-61841-01
15		Junction Box Cover	AE-61476-02	AE-61476-02	AE-61476-02	AE-61476-02	AE-61476-02
16		Door Switch (Push Button)	See Electrical Group				
17		Junction Box	AE-61475-02	AE-61475-02	AE-61475-02	AE-61475-02	AE-61475-02
		Grommet (5/8 in. Tube)	56-22521-03	56-22521-03	56-22521-03	56-22521-03	56-22521-03
		Grommet (1/2 in. I.D.)	56-24008-01	56-24008-01	56-24008-01	56-24008-01	56-24008-01
		Grommet (1/4 in. I.D.)	56-24008-02	56-24008-02	56-24008-02	56-24008-02	56-24008-02
		Grommet (2 in. opening)	56-22114-06	56-22114-06	56-22114-06	56-22114-06	56-22114-06
28		Heat Exchanger	See Heat Exchanger Group				
29		Limit - Main Limit (Heat Exchanger Panel)	See Electrical Group				
30	4	Connector/Transition	68-24047-07	68-24047-07	68-103061-01	68-24047-13 (See Note 4)	68-24047-08
31		Induced Draft Blower w/Gasket	See Electrical Group				
		Tubing (1/2 in. I.D.) - Includes Two Hose Clamps (3)	79-25353-82	79-25353-82	79-25353-82	79-25353-82	79-25353-82
		Tubing Drain Trap (Induced Draft Blower - Includes two Hose Clamps)	791000	791000	791000	791001	791001
		Elbow (Induced Draft Blower - 1/2 in. barbed)	68-24013-01	68-24013-01	68-24013-01	68-24013-01	68-24013-01
		Touch-up Paint - Platinum (Aerosol)	523012	523012	523012	523012	523012
		Touch-up Paint - Platinum (Paint Pens)	523013	523013	523013	523013	523013
		Touch-up Paint - Green (Aerosol)	52-18662-48	52-18662-48	52-18662-48	52-18662-48	52-18662-48
		Touch-up Paint - Green (Paint Pens)	523010	523010	523010	523010	523010
		Touch-up Paint - Granite/Steel Gray (Aerosol)	PD523018	PD523018	PD523018	PD523018	PD523018
		Touch-up Paint - Granite/Steel Gray (Paint Pens)	PD523019	PD523019	PD523019	PD523019	PD523019

No.	Notes	MODEL HEATING CAPACITY BLOWER DESIGNATION VARIATION AIRFLOW	RGRM ALL ALL ALL ALL				
PARTS BAG							
		Complete Parts Bag	AS-100717-01				
2		O-Ring - Fresh Air Damper	68-24032-01				
3		Adapter - Fresh Air Damper and Locknut	68-24114-01				
		1/2 in. Tee	68-21980-02				
		1/2 in. PVC Pipe - 4 in.	68-22024-04				
		Plug - Nylon - 7/8 in.	45-22926-01				
		Plug - Nylon 1-1/8 in.	45-22926-02				
		PVC Vane	68-23473-01				
		PVC Wind Vane - 2-1/2 in.	68-24049-01				
		Hose Clamp	64-22043-01				
		Hose Clamp (2)	64-22043-02				

No.	Notes	MODEL HEATING CAPACITY BLOWER DESIGNATION VARIATION AIRFLOW	RGRM 10 Z A J	RGRM 12 R A J			
PANELS, SHEET METAL, MISCELLANEOUS							
1	5	Jacket (See Note 5)	N/A	N/A			
4		Outlet Air Pipe	68-24021-01	68-24021-01			
5		Gasket - Outlet Air Pipe	68-24022-02	68-24022-02			
6		Top Plate	AS-61872-02	AS-61872-03			
		Gasket - Top Plate	AE-61871-02	AE-61871-03			
		Gasket - Front Base Angle	68-102435-02	68-102435-03			
7		Locknut - Fresh Air Damper	64-24031-01	64-24031-01			
8		Burner Compartment Door (Neutra Green)	AS-61906-01	AS-61907-01			
8		Burner Compartment Door (Granite/Steel Gray)	AS-61906-02	AS-61907-02			
9		Blower/Filter Door (Neutra Green)	AS-61909-03	AS-61910-03			
9		Blower/Filter Door (Granite/Steel Gray)	AS-61909-04	AS-61910-04			
10		Filter - Plastic	54-24094-02	54-24094-03			
		Filter Retainer Rod	45-24095-01	45-24095-01			
		Filter Rod Support Angle	AE-60520-01	AE-60520-01			
		Filter Support Angle	AE-61883-01	AE-61883-01			
11		Solid Bottom	AE-61874-03	AE-61874-04			
A		Button Plug - 2 in. opening	45-22980-08	45-22980-08			
B		Button Plug (2) - 2-3/8 in. opening	45-22980-03	45-22980-03			
12		Pressure Switch Assembly	See Electrical Group				
		Silicon Tubing - Pressure Switch	AE-61737-10	AE-61737-10			
13		Trap / Elbow Assembly	68-100651-01	68-100651-01			
14		Water Trap Mount Bracket	AE-61841-01	AE-61841-01			
15		Junction Box Cover	AE-61476-02	AE-61476-02			
16		Door Switch (Push Button)	See Electrical Group				
17		Junction Box	AE-61475-02	AE-61475-02			
		Grommet (5/8 in. Tube)	56-22521-03	56-22521-03			
		Grommet (1/2 in. I.D.)	56-24008-01	56-24008-01			
		Grommet (1/4 in. I.D.)	56-24008-02	56-24008-02			
		Grommet (2 in. opening)	56-22114-06	56-22114-06			
28		Heat Exchanger	See Heat Exchanger Group				
29		Limit - Main Limit (Heat Exchanger Panel)	See Electrical Group				
30		Connector/Transition	68-24047-08	68-24047-09			
31		Induced Draft Blower w/Gasket	See Electrical Group				
		Tubing (1/2 in. I.D.) - Includes Two Hose Clamps (3)	79-25353-82	79-25353-82			
		Tubing Drain Trap (Induced Draft Blower - Includes two Hose Clamps)	791000	791000			
		Elbow (Induced Draft Blower - 1/2 in. barbed)	68-24013-01	68-24013-01			
		Touch-up Paint - Platinum (Aerosol)	523012	523012			
		Touch-up Paint - Platinum (Paint Pens)	523013	523013			
		Touch-up Paint - Green (Aerosol)	52-18662-48	52-18662-48			
		Touch-up Paint - Green (Paint Pens)	523010	523010			
		Touch-up Paint - Granite/Steel Gray (Aerosol)	PD523018	PD523018			
		Touch-up Paint - Granite/Steel Gray (Paint Pens)	PD523019	PD523019			

No.	Notes	MODEL HEATING CAPACITY BLOWER DESIGNATION VARIATION AIRFLOW	RGRM ALL ALL ALL ALL				
PARTS BAG							
		Complete Parts Bag	AS-100717-01				
2		O-Ring - Fresh Air Damper	68-24032-01				
3		Adapter - Fresh Air Damper and Locknut	68-24114-01				
		1/2 in. Tee	68-21980-02				
		1/2 in. PVC Pipe - 4 in.	68-22024-04				
		Plug - Nylon - 7/8 in.	45-22926-01				
		Plug - Nylon 1-1/8 in.	45-22926-02				
		PVC Vane	68-23473-01				
		PVC Wind Vane - 2-1/2 in.	68-24049-01				
		Hose Clamp	64-22043-01				
		Hose Clamp (2)	64-22043-02				

No.	Notes	MODEL HEATING CAPACITY BLOWER DESIGNATION VARIATION AIRFLOW	RGRM 04 M A E	RGRM 06 M A E	RGRM 07 M A E	RGRM 07 Y B G	RGRM 09 Z A J	
ELECTRICAL GROUP								
12	Stk	Pressure Switch Assembly - Before F3010	42-102056-01	42-102056-06	42-102056-13	42-102056-02	42-102056-03	
12	Stk	Pressure Switch Assembly - After F3010	42-102056-01	42-102056-06	42-102056-22	42-102056-02	42-102056-03	
12	Stk	Pressure Switch Assembly - Option 278	42-102056-07	42-102056-08	N/A	N/A	42-102056-11	
16		Door Switch (Push Button)	42-22692-02	42-22692-02	42-22692-02	42-22692-02	42-22692-02	
19	Stk	Transformer	46-24124-03	46-24124-03	46-24124-03	46-24124-03	46-24124-03	
21		Integrated Furnace Control Board (IFC)	See Gas Controls					
26	Stk	Choke - Power Factor	N/A	N/A	N/A	46-24256-02	46-24256-02	
	7	Power Factor Choke - Before F1712 (See Note 7)	46-24256-02	46-24256-02	46-24256-02	N/A	N/A	
	7	Jumper Wire Assembly - After F1712 (See Note 7)	45-104318-01	45-104318-01	45-104318-01	N/A	N/A	
29	Stk	Limit - Main Limit (Heat Exchanger Panel)	47-25350-06	47-25350-05	47-25350-09	47-25350-07	47-25350-07	
34a	Stk	Limit - Manual Reset (Burner Compartment)	47-22861-02 (1)	47-22861-02 (1)	47-22861-02 (2)	47-22861-02 (2)	47-22861-02 (2)	
31	Stk,3	Induced Draft Blower w/Gasket - See Note 3	70-100612-03	70-100612-03	70-100612-03	70-100612-03	70-100612-03	
		Gasket - Induced Draft Blower	68-24016-01	68-24016-01	68-24016-01	68-24016-01	68-24016-01	
	Stk,3	Capacitor - Induced Draft Blower (Before F3010) - See Note 3	43-100496-03	43-100496-03	43-100496-03	43-100496-03	43-100496-03	
	Stk,3	Capacitor - Induced Draft Blower (After F3010) - See Note 3	43-25134-35	43-25134-35	43-25134-35	43-25134-35	43-25134-35	
		Twist Lock Wiring Harnesses - 15 pin to (5 pin/3 pin/6 terminals), 14 wires from 15 pin (Before F3010)	45-24393-06	45-24393-06	45-24393-06	45-24393-06	45-24393-06	
		Twist Lock Wiring Harnesses - 15 pin to (5 pin/3 pin/6 terminals), 12 wires from 15 pin (After F3010)	45-24393-08	45-24393-08	45-24393-08	45-24393-08	45-24393-08	
		Wiring Harnesses - 5 pin to two (2 pin connectors)	45-102643-01	45-102643-01	45-102643-01	45-102643-01	45-102643-01	
		Wiring Harnesses - 2 pin to (strip lead and quick connect)	45-24371-37	45-24371-37	45-24371-37	45-24371-37	45-24371-37	
		Wiring Harnesses - 16 pin to 16 pin	45-102641-01	45-102641-01	45-102641-01	45-102641-01	45-102641-01	
		Wiring Harnesses - 15 pin to (12 pin/3 pin/2 flag terminals), 14 wires from 15 pin (Before F3010)	45-102667-01	45-102667-01	45-102667-01	45-102667-01	45-102667-01	
		Wiring Harnesses - 15 pin to (12 pin and 3 pin), 12 wires from 15 pin (After F3010)	45-102667-03	45-102667-03	45-102667-03	45-102667-03	45-102667-03	
		Wiring Harness - 6 pin to (2 pin/2 flag terminals), 4 wires from 6 pin	See Gas Controls					

No.	Notes	MODEL HEATING CAPACITY BLOWER DESIGNATION VARIATION AIRFLOW	RGRM 10 Z A J	RGRM 12 R A J				
ELECTRICAL GROUP								
12	Stk	Pressure Switch Assembly - Before F3010	42-103193-01	42-102056-05				
12	Stk	Pressure Switch Assembly - After F3010	42-102056-01	42-102056-05				
12	Stk	Pressure Switch Assembly - Option 278	42-102056-10	42-102056-13				
16		Door Switch (Push Button)	42-22692-02	42-22692-02				
19	Stk	Transformer	46-24124-03	46-24124-03				
21		Integrated Furnace Control Board (IFC)	See Gas Controls					
26	Stk	Choke - Power Factor	46-24256-02	46-24256-02				
29	Stk	Limit - Main Limit (Heat Exchanger Panel)	47-25350-06	47-25350-01				
34a	Stk	Limit - Manual Reset (Burner Compartment)	47-22861-02 (2)	47-22861-02 (3)				
31	Stk,3	Induced Draft Blower w/Gasket - See Note 3	70-100612-03	70-100612-03				
		Gasket - Induced Draft Blower	68-24016-01	68-24016-01				
	Stk,3	Capacitor - Induced Draft Blower (Before F3010) - See Note 3	43-100496-03	43-100496-03				
	Stk,3	Capacitor - Induced Draft Blower (After F3010) - See Note 3	43-25134-35	43-25134-35				
		Twist Lock Wiring Harnesses - 15 pin to (5 pin/3 pin/6 terminals), 14 wires from 15 pin (Before F3010)	45-24393-06	45-24393-06				
		Twist Lock Wiring Harnesses - 15 pin to (5 pin/3 pin/6 terminals), 12 wires from 15 pin (After F3010)	45-24393-08	45-24393-08				
		Wiring Harnesses - 5 pin to two (2 pin connectors)	45-102643-01	45-102643-01				
		Wiring Harnesses - 2 pin to (strip lead and quick connect)	45-24371-37	45-24371-37				
		Wiring Harnesses - 16 pin to 16 pin	45-102641-01	45-102641-01				
		Wiring Harnesses - 15 pin to (12 pin/3 pin/2 flag terminals), 14 wires from 15 pin (Before F3010)	45-102667-01	45-102667-01				
		Wiring Harnesses - 15 pin to (12 pin and 3 pin), 12 wires from 15 pin (After F3010)	45-102667-03	45-102667-03				
		Wiring Harness - 6 pin to (2 pin/2 flag terminals), 4 wires from 6 pin	See Gas Controls					

No.	Notes	MODEL HEATING CAPACITY BLOWER DESIGNATION VARIATION AIRFLOW	RGRM 04 M A E	RGRM 06 M A E	RGRM 07 M A E	RGRM 07 Y B G
BLOWER GROUP						
18	Stk	Blower Assembly (Includes items 22-25, 27)	AS-67876-44	AS-67876-45	AS-67876-46	AS-67876-47
19		Transformer w/Fuse	See Electrical Group			
20		Mounting Plate - Control	AE-67877-01	AE-67877-01	AE-67877-01	AE-67877-01
21		Integrated Furnace Control Board (IFC)	See Gas Controls			
22		Thermistor - Return Air Sensor	N/A	N/A	N/A	N/A
23		Housing	AS-61674-02	AS-61674-02	AS-61674-02	AS-61674-02
24	Stk	Blower Motor - ECM	51-24374-26	51-24374-27	51-24374-28	51-24376-23
		Motor Mount Kit (Grommets, Screws, Nuts, Belly Band, Brackets)	70-24104-82	70-24104-82	70-24104-82	70-24104-82
		ECM Motor Mount (Belly Band)	70-24104-02	70-24104-02	70-24104-02	70-24104-02
25		Motor Mount Bracket (4)	AE-61956-01	AE-61956-01	AE-61956-01	AE-61956-01
26		Choke - Power Factor	See Electrical Group			
27	Stk	Blower Wheel	70-24254-02	70-24254-02	70-24254-02	70-103207-01

No.	Notes	MODEL HEATING CAPACITY BLOWER DESIGNATION VARIATION AIRFLOW	RGRM 09 Z A J	RGRM 10 Z A J		
BLOWER GROUP						
18	Stk,6	Blower Assembly (Includes items 22-25, 27) - See Note 6	AS-67876-48 (Before F1112)	AS-67876-49 (Before F1112)		
18	Stk,6	Blower Assembly (Includes items 22-25, 27) - See Note 6	AS-67876-67 (After F1112)	AS-67876-68 (After F1112)		
19		Transformer w/Fuse	See Electrical Group			
20		Mounting Plate - Control	AE-67877-01	AE-67877-01		
21		Integrated Furnace Control Board (IFC)	See Gas Controls			
22		Thermistor - Return Air Sensor	N/A	N/A		
23		Housing	AS-61674-08	AS-61674-08		
24	Stk,6	Blower Motor - ECM (See Note 6)	51-24376-24 (Before F1112)	51-24376-25 (Before F1112)		
24	Stk,6	Blower Motor - ECM (See Note 6)	51-24376-30 (After F1112)	51-24376-29 (After F1112)		
		Motor Mount Kit (Grommets, Screws, Nuts, Belly Band, Brackets)	70-24104-82	70-24104-82		
		ECM Motor Mount (Belly Band)	70-24104-02	70-24104-02		
25		Motor Mount Bracket (4)	AE-61956-01	AE-61956-01		
26		Choke - Power Factor	See Electrical Group			
27	Stk,6	Blower Wheel (See Note 6)	70-24179-01 (Before F1112)	70-24179-01 (Before F1112)		
27	Stk,6	Blower Wheel (See Note 6)	70-23111-20 (After F1112)	70-23111-20 (After F1112)		

No.	Notes	MODEL HEATING CAPACITY BLOWER DESIGNATION VARIATION AIRFLOW	RGRM 12 R A J			
BLOWER GROUP						
18	Stk	Blower Assembly (Includes items 22-25, 27)	AS-67876-50			
19		Transformer w/Fuse	See Electrical Group			
20		Mounting Plate - Control	AE-67877-01			
21		Integrated Furnace Control Board (IFC)	See Gas Controls			
22		Thermistor - Return Air Sensor	N/A			
23		Housing	AS-61674-03			
24	Stk	Blower Motor - ECM	51-24376-26			
		Motor Mount Kit (Grommets, Screws, Nuts, Belly Band, Brackets)	70-24104-82			
		ECM Motor Mount (Belly Band)	70-24104-02			
25		Motor Mount Bracket (4)	AE-61956-01			
26		Choke - Power Factor	See Electrical Group			
27	Stk	Blower Wheel	70-23111-20			

No.	Notes	MODEL HEATING CAPACITY BLOWER DESIGNATION VARIATION AIRFLOW	RGRM 04 M A E	RGRM 06 M A E	RGRM 07 M A E	RGRM 07 Y B G	RGRM 09 Z A J	
HEAT EXCHANGER, BURNER / MANIFOLD								
28	Stk	Heat Exchanger	AS-61805-29	AS-61805-30	AS-61805-36	AS-61805-33	AS-61805-32	
29		Limit - Main Limit (Heat Exchanger Panel)	See Electrical Group					
31		Induced Draft Blower w/Gasket	See Electrical Group					
32	Stk	Burner Assembly	AS-61984-03	AS-61984-04	AS-61984-05	AS-61984-05	AS-61984-06	
33		Burner Diffuser	AE-61882-12	AE-61882-11	AE-61882-07	AE-61882-07	AE-61882-08	
34a		Limit - Manual Reset (Burner Compartment)	See Electrical Group					
34b		Bracket - Limit Control	AE-61913-02	AE-61913-02	AE-61913-02 (2)	AE-61913-02 (2)	AE-61913-02 (2)	
35		Burner Shield	AE-61807-01	AE-61807-02	AE-61807-03	AE-61807-03	AE-61807-04	
36	Stk	Manifold (w/o Orifices)	81-24395-01	81-24395-02	81-24395-03	81-24395-03	81-24395-04	
		NOX Burner Inserts	AE-67863-01 (2)	AE-67863-01 (3)	AE-67863-01 (4)	AE-67863-01 (4)	AE-67863-01 (5)	
		NOX Retaining Bracket	AE-67864-06	AE-67864-01	AE-67864-02	AE-67864-02	AE-67864-03	
37		Burner Orifice - Natural Gas	See Orifice Selection Chart					
37		Burner Orifice - LP	See Orifice Selection Chart					
		Number of Orifices	(3)	(4)	(5)	(5)	(6)	
41		Burner Support	AE-61809-11	AE-61809-12	AE-61809-13	AE-61809-13	AE-61809-14	
42		Burner Support Bracket (2)	AE-61808-01	AE-61808-01	AE-61808-01	AE-61808-01	AE-61808-01	

No.	Notes	MODEL HEATING CAPACITY BLOWER DESIGNATION VARIATION AIRFLOW	RGRM 10 Z A J	RGRM 12 R A J				
HEAT EXCHANGER, BURNER / MANIFOLD								
28	Stk	Heat Exchanger	AS-103085-01	AS-61805-35				
29		Limit - Main Limit (Heat Exchanger Panel)	See Electrical Group					
31		Induced Draft Blower w/Gasket	See Electrical Group					
32	Stk	Burner Assembly	AS-61984-07	AS-61984-08				
33		Burner Diffuser	AE-61882-09	AE-61882-10				
34a		Limit - Manual Reset (Burner Compartment)	See Electrical Group					
34b		Bracket - Limit Control	AE-61913-02 (2)	AE-61913-02 (2)				
35		Burner Shield	AE-61807-05	AE-61807-06				
36	Stk	Manifold (w/o Orifices)	81-24395-05	81-24395-06				
		NOX Burner Inserts	AE-67863-01 (6)	AE-67863-01 (7)				
		NOX Retaining Bracket	AE-67864-04	AE-67864-05				
37		Burner Orifice - Natural Gas	See Orifice Selection Chart					
37		Burner Orifice - LP	See Orifice Selection Chart					
		Number of Orifices	(7)	(8)				
41		Burner Support	AE-61809-15	AE-61809-16				
42		Burner Support Bracket (2)	AE-61808-01	AE-61808-01				

No.	Notes	MODEL GAS CODE	RGRM HJ	RGRM HK			
GAS CONTROLS							
21	Stk	Integrated Furnace Control Board (IFC)	62-103189-01	62-103189-01			
38	Stk	Gas Valve - Natural Gas	60-24394-01	60-101921-01			
38	Stk	Gas Valve - LP	See Note 2	See Note 2			
39	Stk	Flame Sensor	62-23543-01	62-23543-01			
40	Stk	Ignitor - Direct Spark	62-24141-04	62-24141-04			
		Bracket - Direct Spark	AE-61885-02	AE-61885-02			
	Stk	LP Conversion Kit - USA	FP-26	FP-31			
	Stk	LP Conversion Kit - Canada	FP-26	FP-31			
		Wiring Harness - 6 pin to (2 pin/2 flag terminals), 4 wires from 6 pin	N/A	N/A			

90% GAS FURNACE - ORIFICE SELECTION CHART - NATURAL GAS

CAUTION: Selection of the correct Natural Gas Orifice requires the following information for the specific installation:

- 1) Altitude in of the installation (ft.).
- 2) Average energy content of the Natural Gas fuel from the local supplier (BTU/cu. ft.).

For detailed information and instructions for Orifice selection, see the Gas Furnace LP Conversion Kit Index 92-21519-59 and the latest edition of the National Fuel Gas Code Handbook, or the National Standard of Canada, Natural Gas and Propane Installation Code, CAN B149.1.

CAUTION: This information is provided for replacement purposes only. Conversion for operation at High Altitude must be done using the kit specified on the product specification sheet for the unit.

NOTE: This Orifice sizing chart is based on 15,000 BTU/HR per burner.

NOTE: Factory installed orifices are calculated and sized based on a Natural Gas heating value of 1075 BTU/cu. ft. and an elevation of 0 - 2000 ft.

Energy Value (BTU/cu. ft.)	Elevation (ft.)							
	0 - 1999	2000 - 2999	3000 - 3999	4000 - 4999	5000 - 5999	6000 - 6999	7000 - 7999	8000 - 8999
850	62-22175-47	62-22175-48	62-22175-48	62-22175-49	62-22175-49	62-22175-49	62-22175-50	62-22175-50
900	62-22175-48	62-22175-49	62-22175-49	62-22175-49	62-22175-50	62-22175-50	62-22175-50	62-22175-51
975	62-22175-49	62-22175-50	62-22175-50	62-22175-50	62-22175-51	62-22175-51	62-22175-51	62-22175-52
1075	62-22175-50	62-22175-51	62-22175-51	62-22175-51	62-22175-51	62-22175-52	62-22175-52	62-22175-52
1170	62-22175-51	62-22175-51	62-22175-52	62-22175-52	62-22175-52	62-22175-53	62-22175-53	62-22175-53

90% GAS FURNACE - ORIFICE SELECTION CHART - LP

CAUTION: Selection of the correct LP Orifice requires the altitude of the specific installation (ft.).

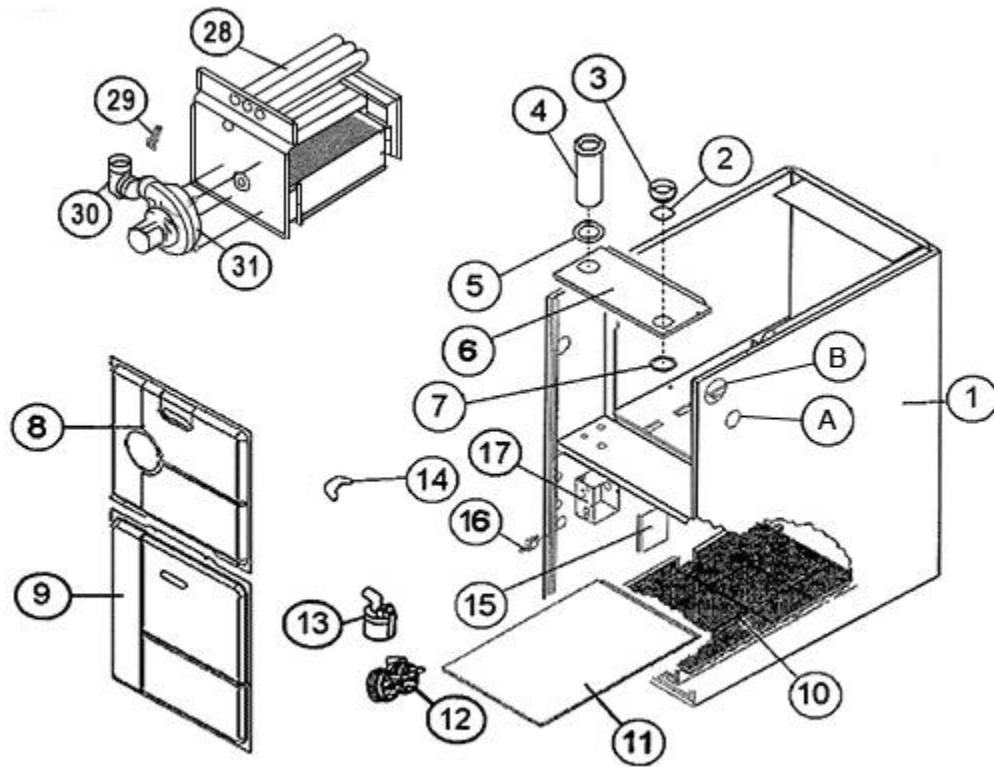
For detailed information and instructions for Orifice selection, see the Gas Furnace LP Conversion Kit Index 92-21519-59 and the latest edition of the National Fuel Gas Code Handbook (NFG), or the National Standard of Canada, Natural Gas and Propane Installation Code, CAN B149.1.

CAUTION: This information is provided for replacement purposes only. Conversion to LP or for operation at High Altitude should be done using the kit(s) specified on the product specification sheet for the unit.

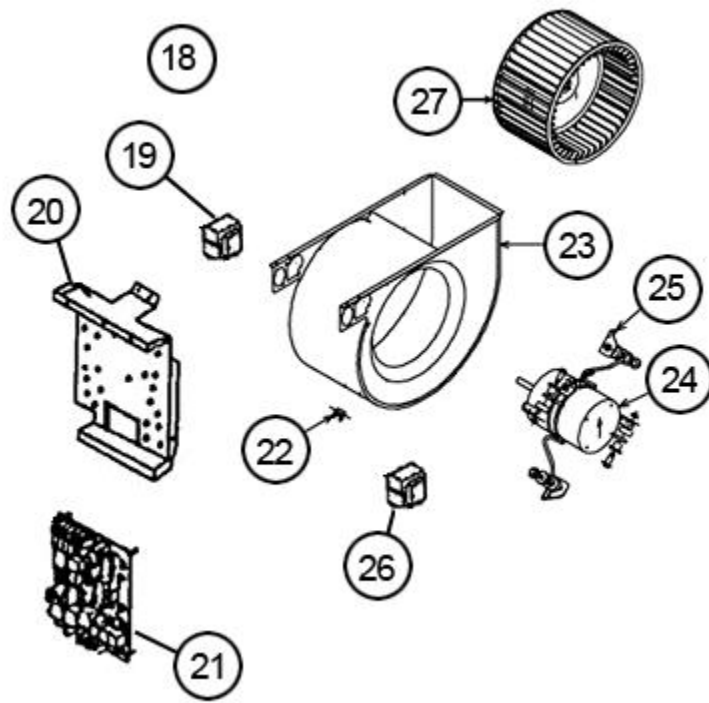
NOTE: This Orifice sizing chart is based on 15,000 BTU/HR per burner. Also, the chart is developed using the specified pressure setting of 10 in. water column instead of the 11.0 in water column used by the NFG and CANB149.1.

NOTE: Orifices supplied in the LP Conversion Kit are calculated and sized based on an altitude of 0 - 2000 ft.

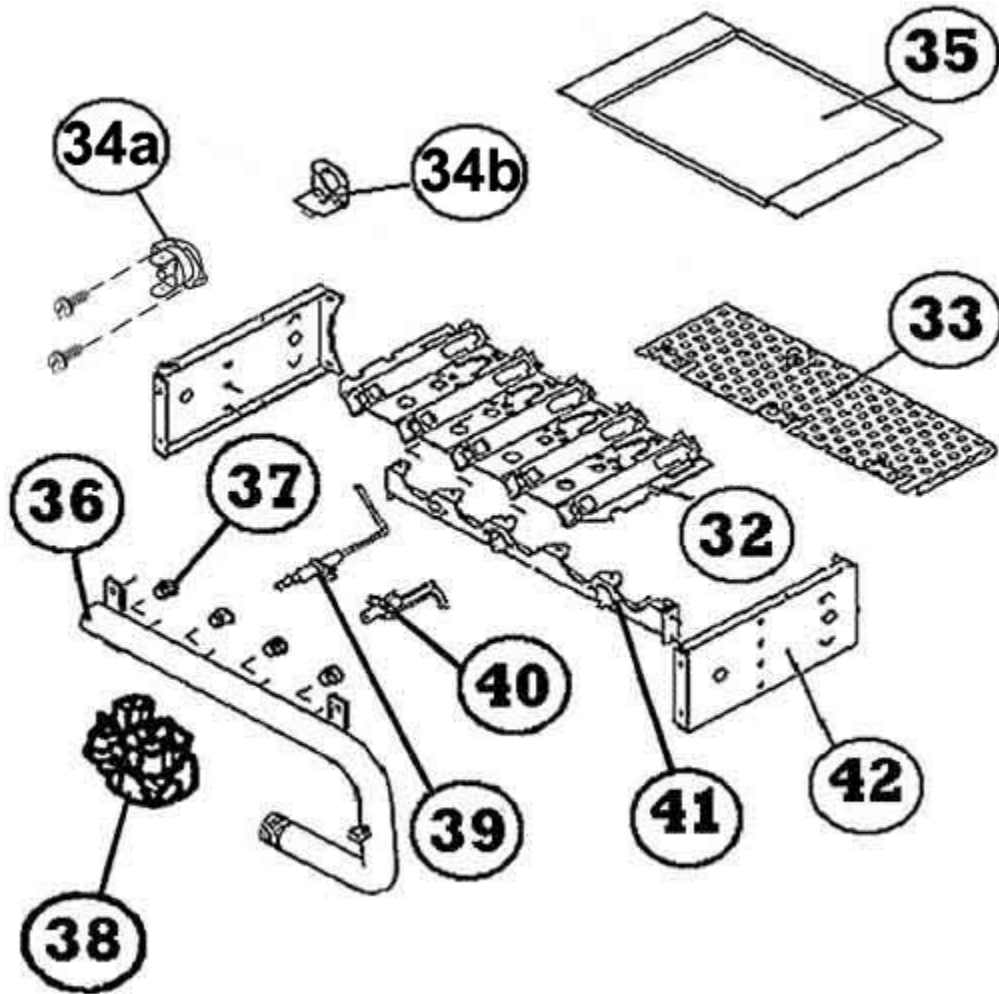
Elevation (ft.)	Orifice							
0 to 2000 ft.	62-22175-91							
2001 to 3000	62-22175-91							
3001 to 4000	62-22175-90							
4001 to 5000	62-22175-58							
5001 to 6000	62-22175-59							
6001 to 7000	62-22175-60							
7001 to 8000	62-22175-62							
8001 to 9000	62-22175-63							
9001 to 1000	62-22175-64							



Exploded View



Blower Assembly



Burner Assembly

NOTES

Stk It is recommended that stock be maintained for this part.

N/A Not Applicable

- 1 Order the specified LP Conversion Kit.
- 2 Order Gas Valve for Natural Gas along with LP Conversion Kit
- 3 The Induced Draft Blower utilized before F3010, used a remotely mounted Capacitor. Blowers after this date include a Capacitor with the Induced Draft Blower.
- 4 For RGRM-07EYBGS units manufactured before date code F3211, the replacement Outlet Air Pipe and Connector/Transition Assembly may be different from that originally supplied with the unit. For models manufactured before date code F3211, when replacing either of these components, both must be changed to the parts shown.
- 5 Jacket is not available for replacement.
- 6 On or after Date Code 1112, A 11 X 10 inch blower assembly replaced the original 12 X 11 inch blower assembly. This change provides equal blower performance and reduces overall motor noise. Note: This change is not backward compatible, as motor programming was changed to provide the same CFM performance as the original 12 x 11 assembly.
- 7 Replacement of Power Factor Choke is optional on units with 1/2 hp, X-13 and ECM, motors produced before F1712. After approximate date code F1712, production units will be supplied with a Jumper Wire Assembly (45-104318-01) in lieu of a Power Factor Choke. This Jumper Wire Assembly can be retrofitted to units built before Date Code F1712.

DISCLAIMER: This document is intended to provide general replacement parts information to aid qualified service personnel in the repair of these models. The complete Model and Serial Number of the unit under repair should be specified when selecting and ordering replacement parts. Specifications and illustrations are subject to change without notice. Document 92-42800-RGRM supersedes all previous parts lists for these models. See <http://www.rheempartslists.net/92-42800-RGRM> for the latest revision of this document. The manufacturer assumes no obligation for errors or omissions. Service personnel must verify the proper and safe operation of equipment after the replacement of any original components.