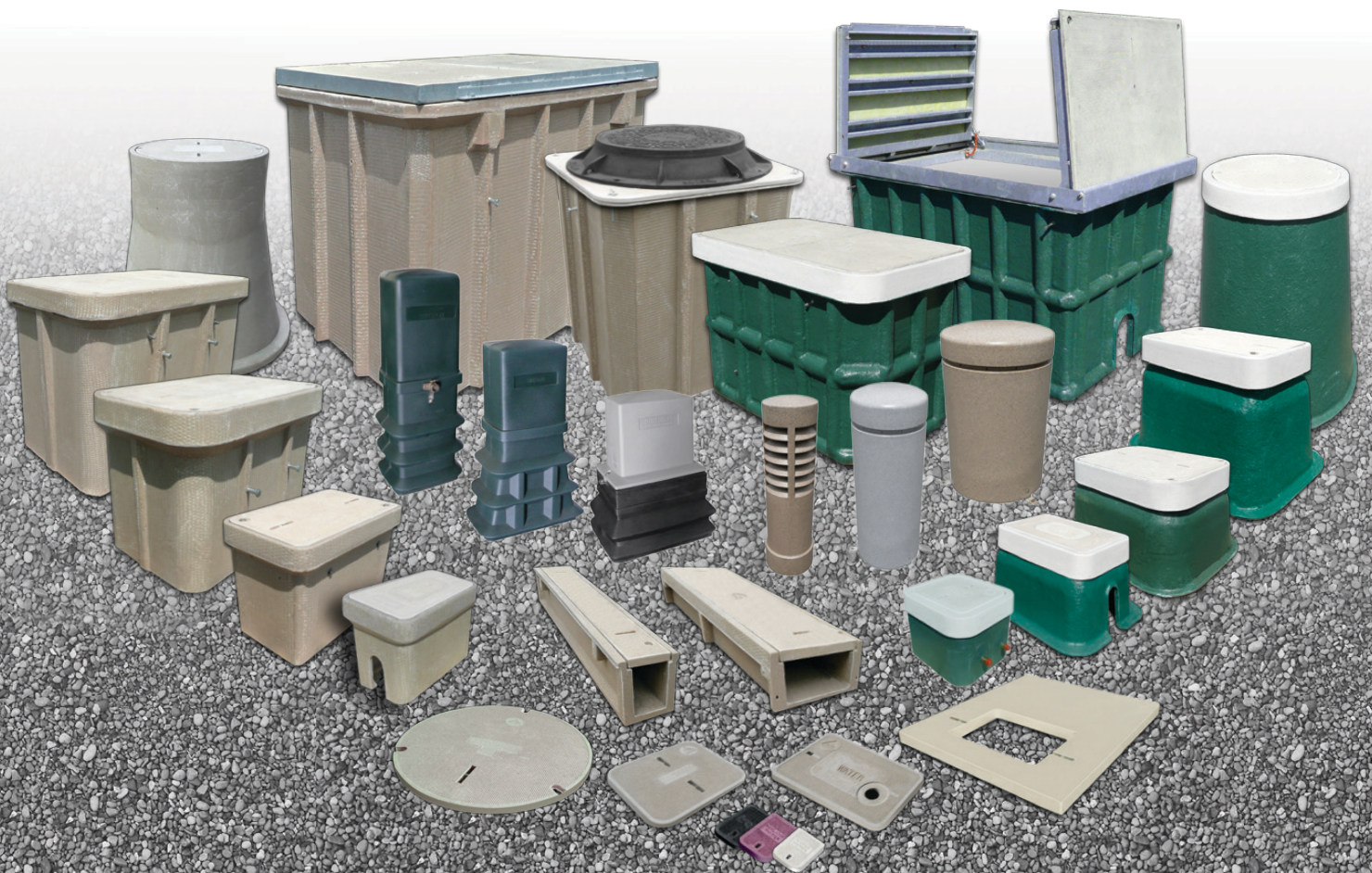




**INNOVATION • QUALITY • VARIETY • SERVICE**



**ARMORCAST PRODUCTS COMPANY**

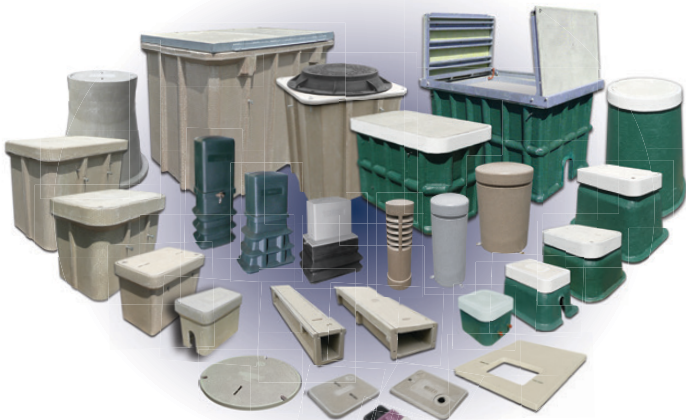
13230 Saticoy Street, No. Hollywood, Ca 91605 Tel: (818) 982-3600 Fax: (818) 982-7742 [www.armorcastprod.com](http://www.armorcastprod.com)



# Armorcast Products Company Diversified Family Line of Products



## COMPOSITE ENCLOSURES



MADE IN THE U.S.A.



Portable Security & Protection  
**GUARDIAN SAFETY BARRIERS**  
CONSTRUCTION • HIGHWAY • TRAFFIC • CONTAINMENT



**ROTATIONAL MOLDING PRODUCTS**  
CUSTOM & OEM MANUFACTURING



# Innovation • Quality • Variety • Service



# TABLE OF CONTENTS

## ARMORCAST PRODUCTS COMPANY

### ARMORCAST COMPANY INFORMATION

WELCOME TO ARMORCAST.....	1-3
PRODUCT INTRODUCTION.....	4-5
TECHNICAL DATA.....	6-7
INSTALLATION / SHIPPING.....	8-9

### POLYMER CONCRETE BOX ASSEMBLIES

SIZE	PART/SERIES#	PAGE
------	--------------	------

<b>PC BOX ASSEMBLIES.....</b>		10-11
6" X 8"	A6000608.....	12-13
10" X 15" Flared	A6001921.....	14-15
11" X 11"	A6000808.....	16-17
11" X 18"	A6001429.....	18-19
11" X 21"	A6000492.....	20-21
11" X 21" Flared	A6001863.....	22-23
12" X 12"	A6001423.....	24-25
12" X 12" Flared	A6001212.....	26-27
12" X 18"	A6001425.....	28-29
12" X 20"	A6000485.....	30-31
13" X 24"	A6001946.....	32-33
17" X 30"	A6001640.....	34-35
20" X 21"	A6000490.....	36-37
24" X 24"	A6002424.....	38-39
24" X 36"	A6001974.....	40-41
30" X 48"	A6001430.....	42-43

### POLYMER CONCRETE VAULT & MANHOLE ASSEMBLIES

<b>PC VAULT ASSEMBLIES.....</b>		44-45
30" X 60"	A6001460.....	46-47
36" X 36"	A6001441.....	48-49
36" X 60"	A6001436.....	50-51
36" X 60" Torsion	A6001833MT.....	52-53
36" X 60" Manhole	A6001833H.....	54-55
48" X 48"	A6001433.....	56-57
48" X 48" Torsion	A6001440MT.....	58-59
48" X 48" Manhole	A6000514H.....	60-61
48" X 60"	A6001447.....	62-63
48" X 60" Torsion	A6001447MT.....	64-65
48" X 60" Manhole	A6001447H.....	66-67
48" X 72"	A6001506.....	68-69
48" X 72" Torsion	A6001506MT.....	70-71
48" X 72" Manhole	A6001506H.....	72-73
48" X 96"	A6001449.....	74-75
48" X 96"	A6004896.....	74-75
48" X 96" Torsion	A6001449MT.....	76-77
48" X 96" Manhole	A6001449H.....	78-79
<b>PC ROUND VAULT ASSEMBLIES</b>		
26" DIA.	A6000177.....	80-81
27" DIA.	A6000182.....	82-83
32" DIA.	A6000187.....	82-83
28" DIA.	A6000178.....	84-85
32" DIA.	A6000185.....	86-87

### FIBERGLASS BOX ASSEMBLIES

SIZE	PART/SERIES#	PAGE
<b>FRP BOX ASSEMBLIES.....</b>		88-89
11" X 16" Flared	A6001923.....	90-91
13" X 24"	A6001868.....	92-93
13" X 24" Flared	A6001946.....	94-95
17" X 30" X 18"	A6001785.....	96-97
17" X 30" X 22"	A6001534.....	96-97
17" X 30" X 30"	A6001989.....	96-97
17" X 30" Flared	A6001640.....	98-99
24" X 36"	A6001509.....	100-101
24" X 36" Flared	A6001974.....	102-103
30" X 48"	A6001430.....	104-105
30" X 48" Flared	A6001550.....	106-107

### VAULT & MANHOLE ASSEMBLIES

<b>FRP VAULT ASSEMBLIES.....</b>		108-109
30" X 60"	A6001460.....	110-111
36" X 36"	A6001441.....	112-113
36" X 60"	A6001437.....	114-115
36" X 60" Torsion	A6001436MT.....	116-117
36" X 72"	A6001491.....	118-119
48" X 48" Torsion	A6001440MT.....	120-121
48" X 60"	A6001447.....	122-123
48" X 60" Torsion	A6001447MT.....	124-125
48" X 72"	A6001506.....	126-127
48" X 72" Torsion	A6001506MT.....	128-129
48" X 72" Manhole	A6001506H.....	130-131
48" X 78"	A6001448.....	132-133
48" X 96"	A6001449.....	134-135
48" X 96" Torsion	A6001449MT.....	136-137
48" X 96" Manhole	A6001449H.....	138-139
<b>FRP ROUND VAULT ASSEMBLIES</b>		
19" DIA.	A6001545.....	140-141
27" DIA.	A6000183.....	142-143
30" DIA. Manhole	A6001473.....	144-145
30" DIA.	A6000172.....	146-147
39" DIA.	A6001466.....	148-149

### PEDESTAL ASSEMBLIES

<b>PEDESTALS.....</b>		150-151
9" X 14"	P6001681.....	152-153
10" X 11"	P6001687.....	154-155
12" X 16"	P6001685.....	156-157
12" X 20"	P6001682.....	158-159
14" X 22"	P6001686.....	160-161

### SPECIALTY PRODUCTS

SIZE	PART/SERIES#	PAGE
<b>SPECIALTY PRODUCTS.....</b>		162-163
CABLE TROUGH.....		164-165
CABINET PAD OPENINGS.....		166
BOX PADS.....		167
EQUIPMENT PADS.....		168
WATER SAMPLING STATION.....		169
STAND PIPE VENT.....		170
AIR VACUUM ENCLOSURES.....		171
DUCT SPACERS.....		172
BATTERY BOX.....		173

### OPTIONS

<b>OPTIONS.....</b>	174
<b>VAULT INTERIORS.....</b>	175
• CABLE RACKS, CABLE ARMS, PULL EYE, DRAIN	
• HEX / PENTA CAPTIVE BOLTS	
<b>COVERS.....</b>	176
• LOGOS	
• AMR / AMI	
• EMS MARKERS	
• READER LIDS	
<b>BOX &amp; VAULT EXTERIORS.....</b>	177
• KNOCKOUTS	
• MOUSE HOLES	
• TERMINATORS	


**LISTED**  
 FILE #E364252

PRODUCTS MARKED WITH THE UL SYMBOL ARE LISTED TO APPLICABLE UL STANDARDS AND REQUIREMENTS BY UL.



**13230 Saticoy Street**  
**North Hollywood, CA 91605**  
**Tel: (818) 982-3600**  
**Fax: (818) 982-7742**  
**www.armorcastprod.com**  
**March 2017**

# ARMORCAST COMPANY INFORMATION



ARMORCAST PRODUCTS COMPANY

## • INNOVATION

Innovation has been a cornerstone of Armorcast since 1966. Combined with our outstanding Quality, Variety and Service that we are renowned for, Armorcast Products continues as the innovative leader for below and above grade enclosures.

Two words describe innovation; Improvement and Originality. To our staff this also means creating and developing effective and efficient solutions to problems. To accomplish all of this takes a tremendous amount of ingenuity, vision, understanding and experience. We have been developing successful, innovative solutions for over 40 years.

## • QUALITY

Outstanding quality is a direct result of careful planning, diligent adherence to many established practices and implementation of precise and repetitive procedures and practices. Our customer driven Quality Assurance Guidelines and Procedures initiated many years ago, insure the highest standards for raw materials, manufacturing operations and consistency in workmanship in all our offerings. Every one of our products will meet and/or exceed the most stringent and demanding conditions set forth by our customers, time after time.

## • VARIETY

Numerous situations arise whereby the need for product variety, versatility and affordability for specific applications or projects are most critical. Armorcast offers the broadest range of underground and above grade enclosures for a multitude of applications, industries and markets.

## • SERVICE

We believe that the growth of Armorcast is in direct proportion to the success of our customers in their individual endeavors by providing them with excellent service, on-time delivery and complete satisfaction.



Armorcast® Products Company  
13230 Saticoy Street  
North Hollywood, California 91605  
Tel: (818) 982-3600 Fax: (818) 982-7742

MADE IN THE U.S.A.





**ARMORCAST PRODUCTS COMPANY**

# ARMORCAST COMPANY INFORMATION

ARMORCAST  
COMPANY INFORMATION

Since 1966, Armorcast Products has been the innovative leader in supplying the utility industry with secure and protective enclosures. Providing below and above grade ground boxes and vaults of all shapes and sizes. Armorcast continues to be the sought after source for enclosures from numerous utilities, municipalities, contractors, state agencies and communication companies. The markets we serve are as diverse as our product offerings. Armorcast produces durable, functional and effective finished products, engineered to the end-user specifications and are available when and where they are needed. Armorcast has several facilities totaling nearly 400,000 sq. ft. of manufacturing space.



*Corporate Headquarters  
North Hollywood, California*



*Corporate Facility / North Hollywood, California*

*Ontario, California*



[www.armorcastprod.com](http://www.armorcastprod.com)

Tel: (818) 982-3600 Fax: (818) 982-7742

# PRODUCT INFORMATION

## TECHNICAL DATA / INSTALLATION / SHIPPING



ARMORCAST PRODUCTS COMPANY

PRODUCT INFORMATION



### **Armorcast Polymer Concrete and Fiberglass products compared to conventional material; Concrete, Wood, Steel etc..**

- Lighter weight
- High load carrying capacity
- High impact resistance
- Non-conductive or sparking
- Non-combustible
- Superior weathering resistance
- Excellent chemical resistance
- Excellent insulating properties for cold climate installations
- Can be field modified with common tools to suit unusual conditions
- Tamper-proof fasteners
- Ease of installation
- Zero maintenance

### **Covers: Slip Resistance Surfaces**

All covers, equipment pads, etc., that are exposed to foot traffic have a slip resistant surface with a minimum coefficient of friction of 0.60 under wet or dry conditions. Armorcast Products Company slip resistant covers meet the American with Disabilities Act slip resistance requirements.



# PRODUCT INFORMATION

## MATERIALS / SYSTEMS

ARMORCAST PRODUCTS COMPANY

### Materials

Polymer Concrete is a filled or extended plastic resin binder system having a structural fiber reinforcement for strength and durability. These systems were derived from Fiberglass Reinforced Plastic (FRP) systems normally referred to as fiberglass.

The evolution of Polymer Concrete began with a desire to reduce the raw material cost of “FRP” products by extending or reducing the amount of plastic resin required for each part. This was accomplished by using low cost fillers such as sand of the granular consistency of face powder. These initial attempts were successfully applied to a number of common products where physical product mass was paramount in the end product usage. As Polymer Concrete research and development progressed, it became apparent that the “fillers” could be blended to obtain desirable physical and chemical properties equal to “FRP” as well as other generally used material. This discovery widened the probable application of Polymer Concrete with Armorcast Products Co. contributing significantly to its further scientific and product development under the name of “ARMORCAST”.

### Armorcast Systems

The development of the Armorcast Systems includes the blending of the fillers and their effect on the material properties, the resin binder, the fiber reinforcement and the production methods. Therefore these are complete systems being applied to the economical production of high quality products. These products are successfully replacing identical items normally produced from age-old materials previously considered the only standard.

#### The Four Major Components of the Armorcast Systems are as Follows:

- 1. BINDER:** We refer to the resin as a binder. It has the specific function of holding the entire mass or composition together and contributes to the specific desirable characteristics of the final product.
- 2. FILLERS:** The Armorcast fillers are a defined proprietary blend of materials, each contributing to the property of the composition, and the final product. These control such features as abrasion resistance, impact strength, compressive strength and ultraviolet absorption.
- 3. FIBER REINFORCEMENT:** Armorcast uses the highest quality grade fibers as its reinforcement. We utilize the distinguished physical characteristics of chopped, mat, cloth and woven roving individually and collectively to meet the required product specifications.
- 4. PRODUCTION METHODS:** The Armorcast production methods are as varied as is the proprietary blend of the Armorcast composition allowing the most economical conversion of raw materials into high performance products.

#### The Production Method Employed for Each Product is Determined by:

- The Armorcast Composition of Binder and Fibers
- The Specific Combinations of the Various Types of Glass Fibers (chopped, mat, etc....)
- The Yearly Product Quantity Shipments
- The Overall Economics aimed at Providing the Highest Quality Products at the most Economical Price.

In addition to the above four Armorcast System Components, there is a product feature offered to our customers that is not necessarily thought of as a system component but more of a result of the above four. The Armorcast System allows the detailed reproduction of presently used standard products providing the customer the freedom of interchangeability with direct replacement spare parts. The Armorcast System features will save corporations, utilities and municipalities untold time and expense by eliminating the need for a complete product design change.

# PRODUCT INFORMATION

## TECHNICAL DATA



ARMORCAST PRODUCTS COMPANY

### LOAD RATINGS

#### **Pedestrian Loading**

Pedestrian loading is generally between 250 to 350 lbs./sq.ft. applied over the entire area of the cover. This loading is generally specified for sidewalks, planters and parkways where no vehicular traffic is anticipated under any condition.

#### **10K Loading**

The 10K loading is specified for areas that could be subjected to incidental light vehicular traffic. 10K loading has the same wheel base as AASHTO H10, and ASTM A-8 of 8,000 lbs. plus a 30% load increase due to impact forces for a total wheel load of 10,400 lbs.

#### **20K Loading**

The 20K loading is specified for areas subjected to occasional heavy traffic such as driveways, alley and parking lots. 20K loading has the same base wheel loading as AASHTO H20, HS20-44 and ASTM A-16 of 16,000 lbs. plus a 30% load increase as due to impact forces for a total wheel load of 20,800 lbs. 20K loading is not appropriate for areas subjected to continuous traffic such as streets and highways.

#### **ANSI / SCTE Tier 5 Loading**

Tier 5 is specified for sidewalk applications for occasional non-deliberate light vehicular traffic. Design load 5,000 lbs. and a minimum failure load of 7,500 lbs.

#### **ANSI / SCTE Tier 8 Loading**

Tier 8 is specified for sidewalk applications for non-deliberate light vehicular traffic. Design load 8,000 lbs. and a minimum failure load of 12,000 lbs.

#### **ANSI / SCTE Tier 15 Loading**

Tier 15 is specified for driveway, parking lot and off roadway applications subject to occasional non-deliberate heavy vehicular traffic. Design load 15,000 lbs. and a minimum failure load of 22,500 lbs.

#### **ANSI / SCTE Tier 22 Loading**

Tier 22 is specified for Driveway, parking lot and off roadway applications subject to occasional non-deliberate heavy vehicular traffic. Design load 22,500 lbs. and a minimum failure load of 33,750 lbs.

#### **AASHTO H20-44 or HS20-44 Loading**

Deliberate vehicular traffic installations such as streets and highways. Armorcast non-concrete enclosures designed to withstand AASHTO H20-44 loading are fitted with a cast iron or steel frames and covers that can be used in street and highways for deliberate continuous and continuous traffic.

**For additional information and technical assistance on our products and capabilities, please contact the Engineering department at Armorcast Products Company.**





# PRODUCT INFORMATION

## TECHNICAL DATA

**ARMORCAST PRODUCTS COMPANY**



**LISTED**  
FILE #E364252

UL Listed products from Armorcast Products are available in selected sizes on our PC Boxes and PC Vaults. Review the UL Listed sizes in the Table of Contents to determine the enclosure needed for your installation. Federal, State and Municipal electrical and telecom projects may require the use of a UL Listed product.

Products marked with the UL symbol are listed to applicable UL standards and requirements by UL.

### LOADING SELECTION GUIDE

DESIRED LOAD APPLICATION	DESIGN LOAD	ARMORCAST LOAD DESIGNATION
<b>Pedestrian</b>	250-350 lbs. sq./ft.	<b>Pedestrian Loading</b>
<b>Parkway</b> (Incidental Light Vehicular Load)	10,400 lbs. Single Tire (10" x 10")	<b>10K</b>
<b>Occasional Heavy Traffic</b> (Non-Deliberate Occasional Vehicular Load) Occasional traffic, RPM/FRP assemblies, meet the base loading of AASHTO H-20, but not listed as H-20 to prevent use in street areas. Designed for use in parking lots, driveways, or other areas not subject to continuous traffic.	20,800 lbs. Dual Tires (10" x 20")	<b>20K</b>
<b>ANSI / SCTE 77 Tier 5</b> Sidewalk application for occasional non-deliberate light vehicular traffic.	5,000 lbs. Single Tire (10" x 10")	<b>TIER 5</b>
<b>ANSI / SCTE 77 Tier 8</b> Sidewalk application for occasional non-deliberate light vehicular traffic.	8,000 lbs. Single Tire (10" x 10")	<b>TIER 8</b>
<b>ANSI / SCTE 77 Tier 15</b> Sidewalk application for occasional non-deliberate heavy vehicular traffic.	15,000 lbs. Single Tire (10" x 10")	<b>TIER 15</b>
<b>ANSI / SCTE 77 Tier 22</b> Sidewalk applications for occasional non-deliberate heavy vehicular traffic.	22,500 lbs. Dual Tire (10" x 20")	<b>TIER 22</b>
<b>AASHTO H-20</b>	20,800 lbs. (10" x 20") Dual Tires	<b>H-20</b> 20,800 lbs. x 2.17 test=45,136 lbs.

Armorcast H-20 rated vault and manhole assemblies that are to be installed at the street level in the traveled portion of streets, highways or other areas subject to constant vehicular traffic are furnished with cast iron frames and covers.

**For additional information and technical assistance on our products and capabilities, please contact the Engineering department at Armorcast Products Company.**

# PRODUCT INFORMATION

## INSTALLATION GUIDELINES



ARMORCAST PRODUCTS COMPANY

### RECOMMENDED INSTALLATION GUIDELINES:

Note: The following information is provided as reference only. The installing contractor, utility, developer or the person responsible for the placement of the enclosure is advised to follow the American Society for Testing Materials (ASTM), C-891, "Standard Practice for the Installation of Underground Precast Concrete Utility Structures", as last revised, current OSHA Regulation and /or the local agency requirements.

### H2O & DEEP STRUCTURE ENCLOSURES:

Please contact the Engineering department at Armorcast Products Company.

### BOX & VAULT ENCLOSURES:

#### Excavation

The excavation should be prepared so that the overall dimension of the excavation is twelve (12) inches longer and wider than those of the enclosure. The depth of the excavation should include the overall outside height of the enclosure plus the required thickness of the base material. Normally the requirement for the base material is four (4) to six (6) inches of crushed rock. However, the utility or municipality should provide the actual requirements.

#### Placement of the Enclosure

Positioning the enclosure into the excavation with the frame and cover in place. Check elevation of the frame and cover with the final grade and make the necessary adjustments if required.

#### Backfill

1. The backfill material shall be granular and free from large stones, rocks, pavement etc..
2. The backfill material should be placed as soon as practical after the enclosure has been placed in the excavation.
3. Backfilling should be achieved by using lifts (layers) or flooding (Jetting) the excavation to achieve 95% compaction.
4. For Fiberglass (FRP) body handholes, if vibrating tamping equipment is used to achieve the required compaction, care should be taken not to damage the enclosure and internal bracing should be placed inside the enclosure to prevent excessive deflection. The bracing should be left in place until backfilling is completed. Polymer Concrete body handholes do not require bracing





**ARMORCAST PRODUCTS COMPANY**

# PRODUCT INFORMATION

## SHIPPING INFORMATION

### SHIPPING & DISTRIBUTION

Armorcast Products has the capabilities to deliver to virtually any destination in North America. Through freight, rail and other common carriers, our logistics department will manage and track all shipments to ensure your product arrives to their destination safe and on time.



PRODUCT INFORMATION



MADE IN THE U.S.A.

13230 Saticoy Street, North Hollywood, California 91605  
Tel: (818) 982-3600 Fax: (818) 982-7742 [www.armorcastprod.com](http://www.armorcastprod.com)

[www.armorcastprod.com](http://www.armorcastprod.com) Tel: (818) 982-3600 Fax: (818) 982-7742

# POLYMER CONCRETE BOX ASSEMBLIES



ARMORCAST PRODUCTS COMPANY

- Straight Wall
- Flared Wall

POLYMER CONCRETE  
BOXES



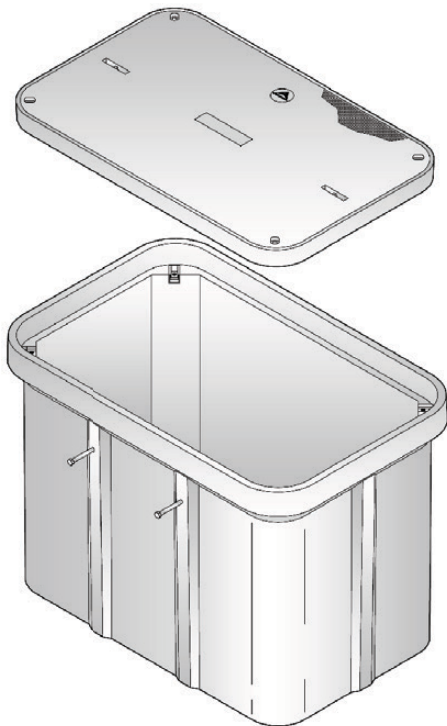


**ARMORCAST PRODUCTS COMPANY**

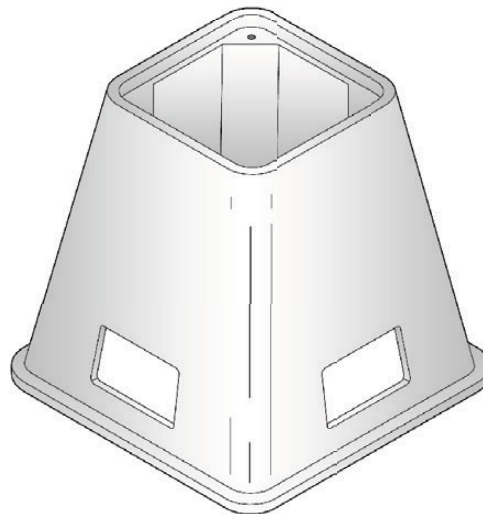
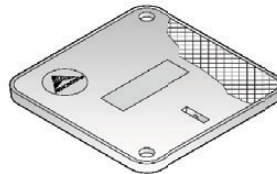
# POLYMER CONCRETE BOX ASSEMBLIES

## Polymer Concrete Box Assemblies

The Armorcast Products Company line of Polymer Concrete Box Assemblies are designed to provide maximum strength and durability. Lighter weight than traditional concrete, they are easy to install and provide superior strength and longevity. All products meet all WUC and SCTE / ANSI 77 specifications.



• **Straight Wall**



• **Flared Wall**



**LISTED**

FILE #E364252

PRODUCT PAGES MARKED WITH THE UL SYMBOL ARE LISTED BY UNDERWRITERS LABORATORIES FOR ALL DEPTHS.

### APPLICATION USE

- Handholes
- Pull Boxes
- Valve Boxes
- Meter Boxes
- Splice Boxes
- Junction Boxes
- Water Pits & Boxes
- Traffic Signal Boxes



### OPTIONS

(See Options page for details)

- Mouseholes
- Knock Outs
- Locking Devices
- Terminators
- Racks and Hooks
- Inserts
- Hex or Penta Bolts
- EMS Markers
- AMR / AMI Covers

### STANDARD or CUSTOM LOGOS

- Electric
- Telephone
- CATV
- Broadband
- Danger High Voltage
- Communication
- Fiber Optics
- Gas
- Water
- Railroad
- Traffic Signal
- Illumination
- Lighting
- Street Lighting

POLYMER CONCRETE BOXES

# 6" x 8" BOX ASSEMBLY

## 6" DEPTH



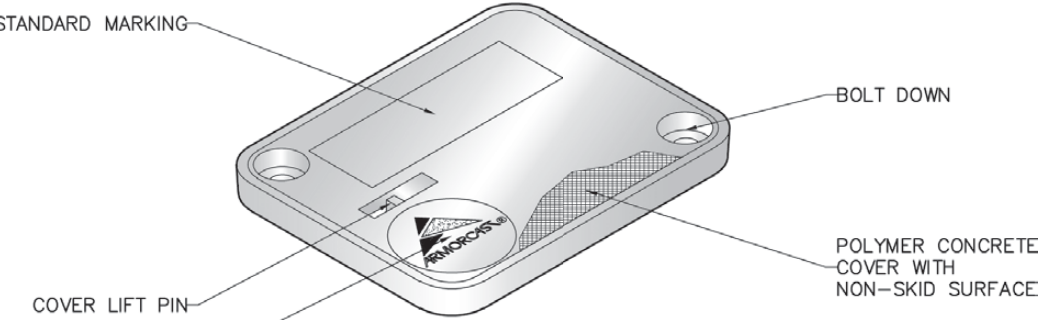
**POLYMER CONCRETE**

**ARMORCAST PRODUCTS COMPANY**

A6000608

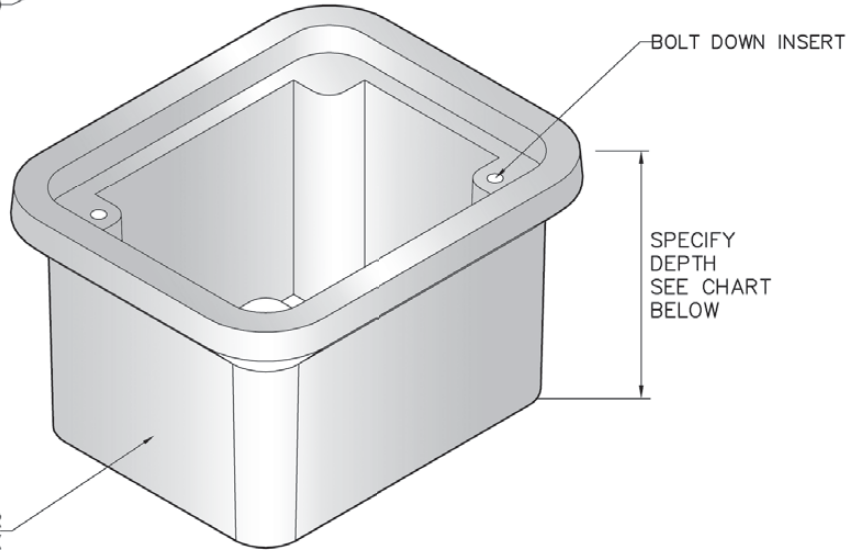


STANDARD MARKING



ARMORCAST LOGO

BOLT DOWN INSERT



SPECIFY DEPTH  
SEE CHART  
BELOW

POLYMER  
CONCRETE BOX

### 6"W x 8"L BOX ASSEMBLY

DESCRIPTION	NOMINAL SIZE W x L x D	LOAD RATING	ANSI TIER	PART NUMBER	APPROX. WEIGHT	PALLET QTY.
Box & Cover Assembly	6" x 8" x 6"	10K	8	A6000608AX6	16 lbs.	50
	6" x 8" x 6"	20K	15 / 22	A6000608TAX6 / A6000608HDAX6	16 lbs.	50

### COMPONENTS

MORE COVER VARIATIONS ARE AVAILABLE IN OUR "COVER SECTION"

DESCRIPTION	NOMINAL SIZE W x L x D	LOAD RATING	ANSI TIER	PART NUMBER	APPROX. WEIGHT	PALLET QTY.
Replacement Covers	6" x 8"	10K	8	A6000609	5 lbs.	100
	6" x 8"	20K	15	A6000609T	5 lbs.	100
Replacement Box	6" x 8" x 6"	10K / 20K	22	A6000608X6	11 lbs.	50

- Boxes are Open Bottom and Stackable, also available with Solid Bottoms.
- For sizes not shown please contact Armorcast Products for more information.

THIS PRODUCT IS LISTED TO APPLICABLE UL STANDARDS AND REQUIREMENTS BY UL.

[www.armorcastprod.com](http://www.armorcastprod.com)

Tel: (818) 982-3600 Fax: (818) 982-7742

POLYMER CONCRETE BOXES



ARMORCAST PRODUCTS COMPANY

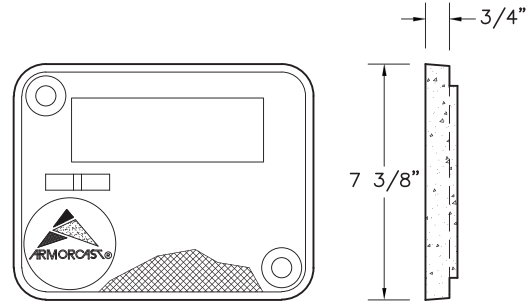
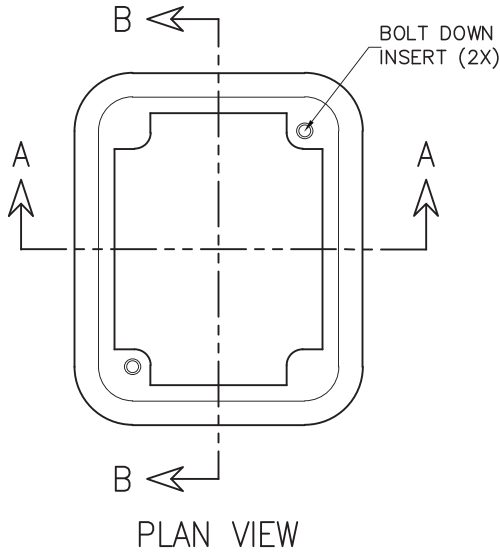
# 6" x 8" BOX ASSEMBLY STANDARD DIMENSIONS

POLYMER CONCRETE

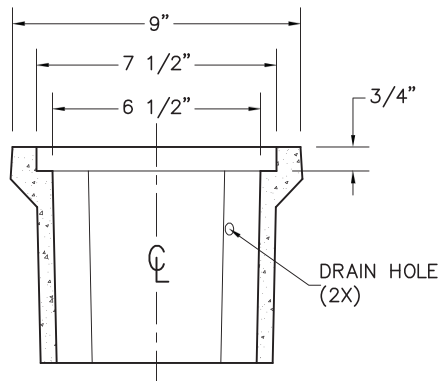
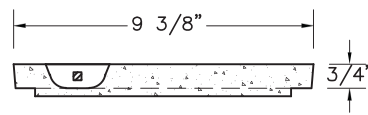
A6000608



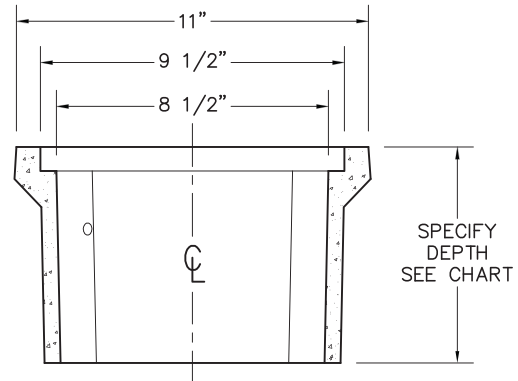
FILE #E364252



POLYMER CONCRETE COVER



SECTION A-A



SECTION B-B

POLYMER CONCRETE  
BOXES

Armorcast Products Company reserves the right to update or discontinue product information at any time without notice.

THIS PRODUCT IS LISTED TO APPLICABLE UL STANDARDS AND REQUIREMENTS BY UL.

[www.armorcastprod.com](http://www.armorcastprod.com)

Tel: (818) 982-3600 Fax: (818) 982-7742

# 10" x 15" FLARED BOX ASSEMBLY

## 12" to 18" DEPTHS



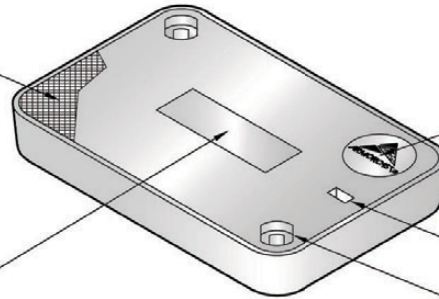
**POLYMER CONCRETE**

**ARMORCAST PRODUCTS COMPANY**

A6001921



POLYMER CONCRETE COVER WITH NON-SKID SURFACE



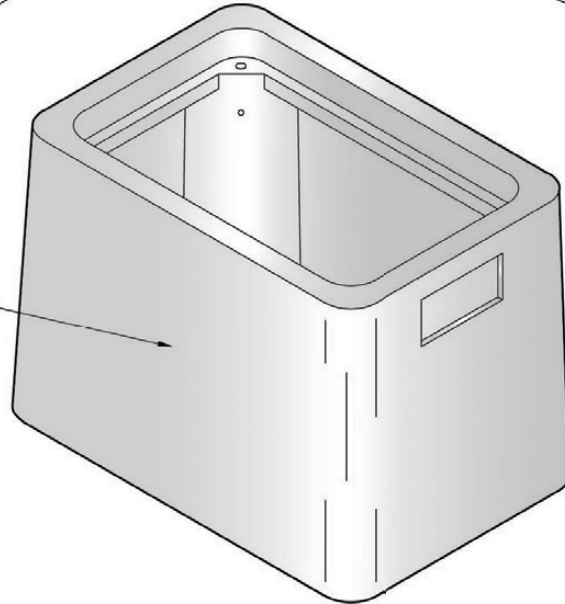
ARMORCAST LOGO

COVER LIFT PIN

STANDARD MARKING

BOLT DOWN

POLYMER CONCRETE BOX



SPECIFY DEPTH SEE CHART BELOW

POLYMER CONCRETE BOXES

### 10"W x 15"L FLARED BOX ASSEMBLIES Specify Depth Below

DESCRIPTION	NOMINAL SIZE W x L x D	LOAD RATING	ANSI TIER	PART NUMBER	APPROX. WEIGHT	PALLET QTY.
Box & Cover Assembly	10" x 15" x 12"	10K	8	A6001921AX12	55 lbs.	24
	10" x 15" x 12"	20K	15 / 22	A6001921TAX12 / A6001921HDAX12	62 lbs.	24
Box & Cover Assembly	10" x 15" x 18"	10K	8	A6001921AX18	71 lbs.	12
	10" x 15" x 18"	20K	15 / 22	A6001921TAX18 / A6001921HDAX18	78 lbs.	12

### COMPONENTS

MORE COVER VARIATIONS ARE AVAILABLE IN OUR "COVER SECTION"

DESCRIPTION	NOMINAL SIZE W x L x D	LOAD RATING	ANSI TIER	PART NUMBER	APPROX. WEIGHT	PALLET QTY.
Replacement Covers	10" x 15"	10K	8	A6001922	11 lbs.	100
	10" x 15"	20K	15	A6001922T	18 lbs.	100
Replacement Boxes	10" x 15" x 12"	10K / 20K	22	A6001921X12	44 lbs.	24
	10" x 15" x 18"	10K / 20K	22	A6001921X18	60 lbs.	12

- Boxes are Open Bottom.
- For sizes not shown please contact Armorcast Products for more information.

THIS PRODUCT IS LISTED TO APPLICABLE UL STANDARDS AND REQUIREMENTS BY UL.

[www.armorcastprod.com](http://www.armorcastprod.com)

Tel: (818) 982-3600 Fax: (818) 982-7742





# 10" x 15" FLARED BOX ASSEMBLY

## STANDARD DIMENSIONS

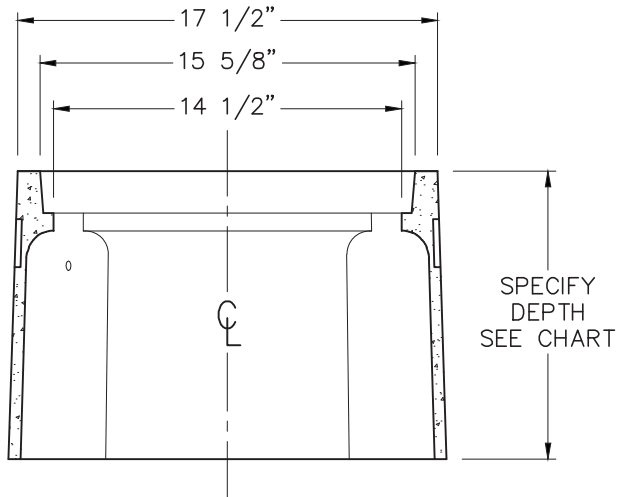
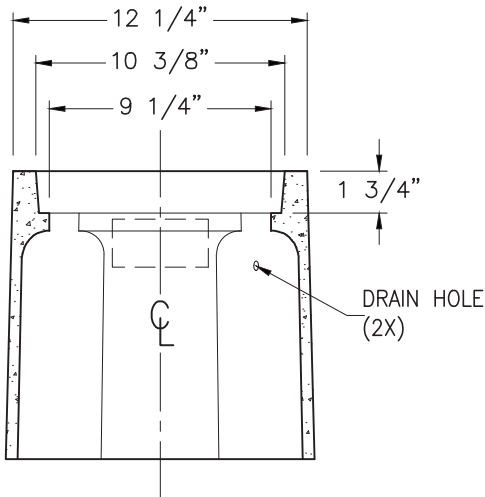
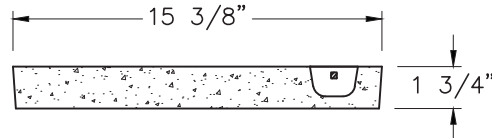
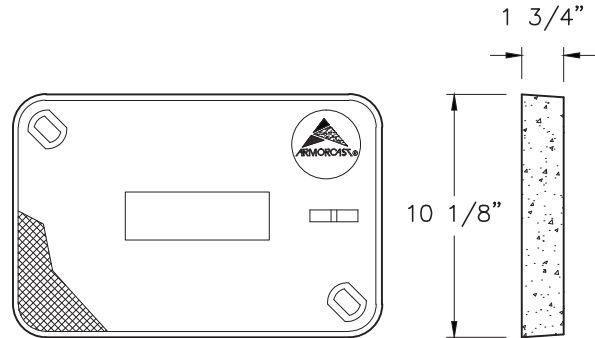
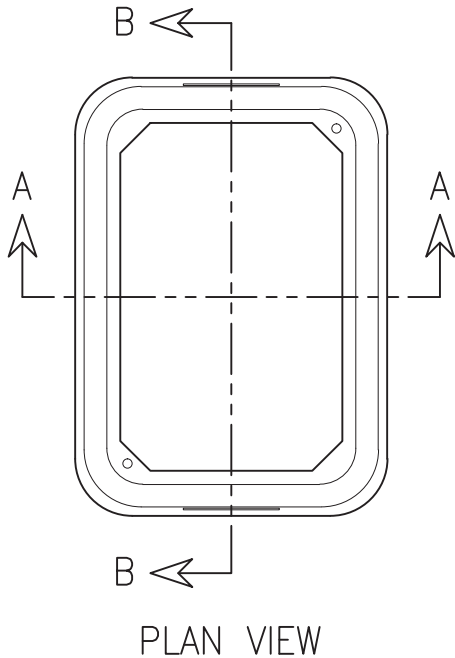
ARMORCAST PRODUCTS COMPANY

POLYMER CONCRETE

A6001921



LISTED  
FILE #E364252



Armorcast Products Company reserves the right to update or discontinue product information at any time without notice.

THIS PRODUCT IS LISTED TO APPLICABLE UL STANDARDS AND REQUIREMENTS BY UL.

[www.armorcastprod.com](http://www.armorcastprod.com)

Tel: (818) 982-3600 Fax: (818) 982-7742

POLYMER CONCRETE  
BOXES

# 11" x 11" BOX ASSEMBLY

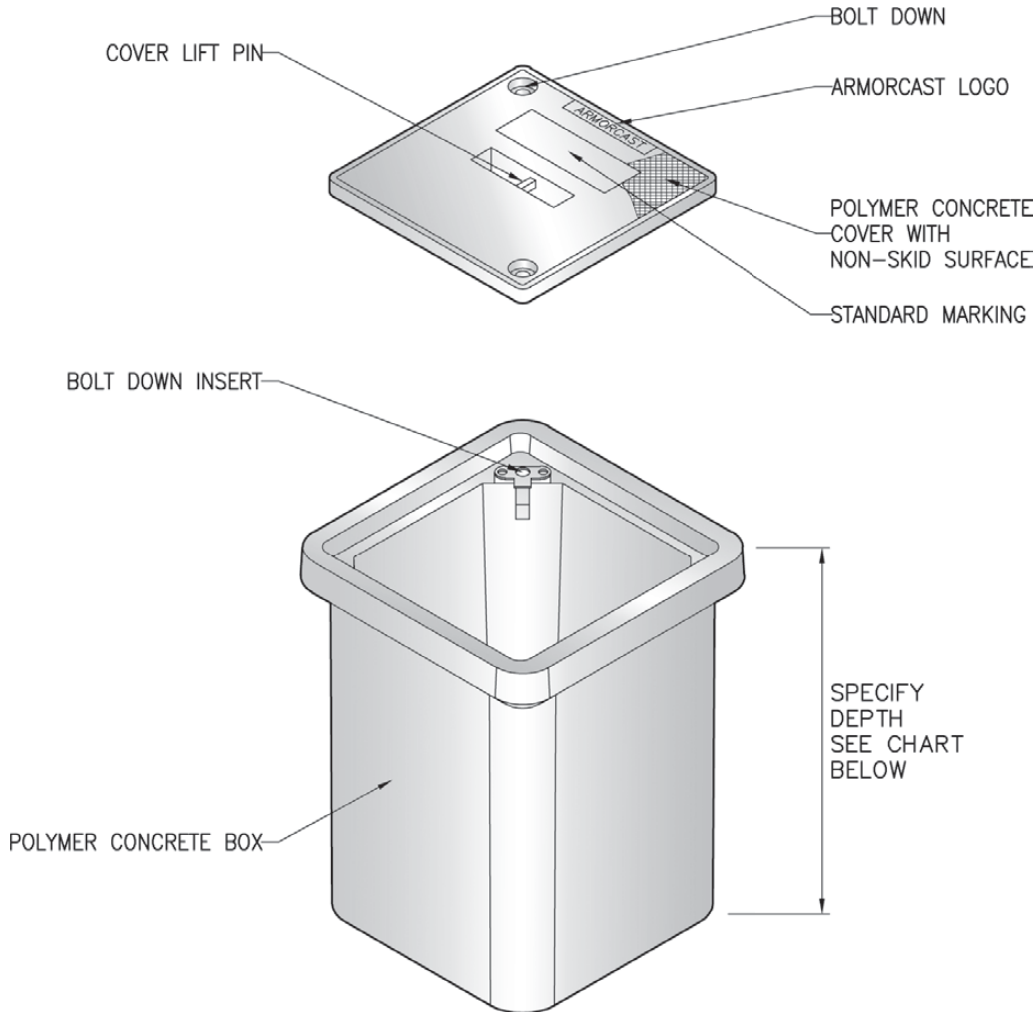
## 18" DEPTH



**POLYMER CONCRETE**

**ARMORCAST PRODUCTS COMPANY**

A6000808



POLYMER CONCRETE BOXES

### 11"W x 11"L BOX ASSEMBLIES Specify Depth Below

DESCRIPTION	NOMINAL SIZE W x L x D	LOAD RATING	ANSI TIER	PART NUMBER	APPROX. WEIGHT	PALLET QTY.
Box & Cover Assembly	11" x 11" x 18"	10K	8	A6000808A	36 lbs.	9
	11" x 11" x 18"	20K	15	A6000808TA	37 lbs.	9

### COMPONENTS

MORE COVER VARIATIONS ARE AVAILABLE IN OUR "COVER SECTION"

DESCRIPTION	NOMINAL SIZE W x L x D	LOAD RATING	ANSI TIER	PART NUMBER	APPROX. WEIGHT	PALLET QTY.
Replacement Covers	11" x 11"	10K	8	A6000808-CVR	6 lbs.	50
	11" x 11"	20K	15	A6000808T-CVR	7 lbs.	50
Replacement Box	11" x 11" x 18"	10K / 20K	8 / 15	A6000808X18	30 lbs.	9

- Boxes are Open Bottom and Stackable, also available with Solid Bottoms.
- For sizes not shown please contact Armorcast Products for more information.

[www.armorcastprod.com](http://www.armorcastprod.com)

Tel: (818) 982-3600 Fax: (818) 982-7742



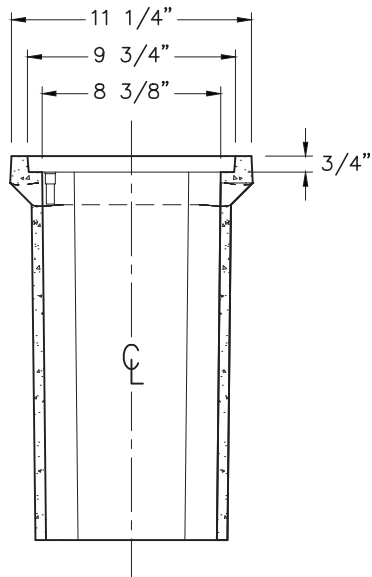
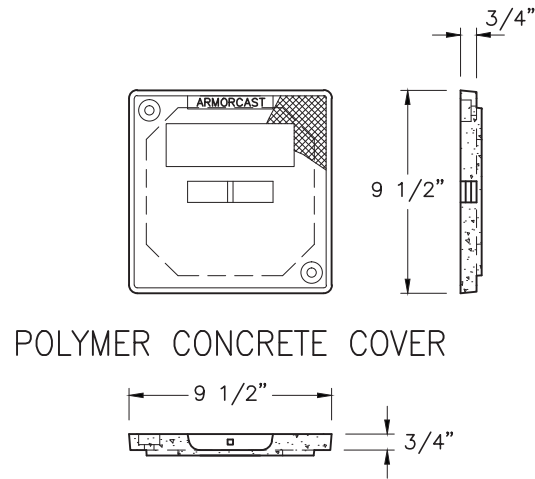
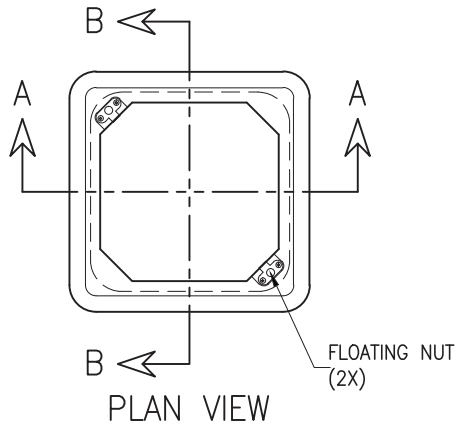
ARMORCAST PRODUCTS COMPANY

# 11" x 11" BOX ASSEMBLY

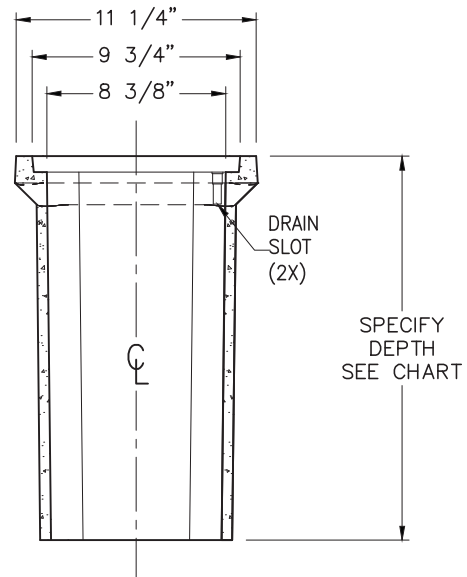
## STANDARD DIMENSIONS

POLYMER CONCRETE

A6000808



SECTION A-A



SECTION B-B

POLYMER CONCRETE  
BOXES

Armorcast Products Company reserves the right to update or discontinue product information at any time without notice.

[www.armorcastprod.com](http://www.armorcastprod.com)

Tel: (818) 982-3600 Fax: (818) 982-7742

# 11" x 18" BOX ASSEMBLY

## 12" to 18" DEPTHS



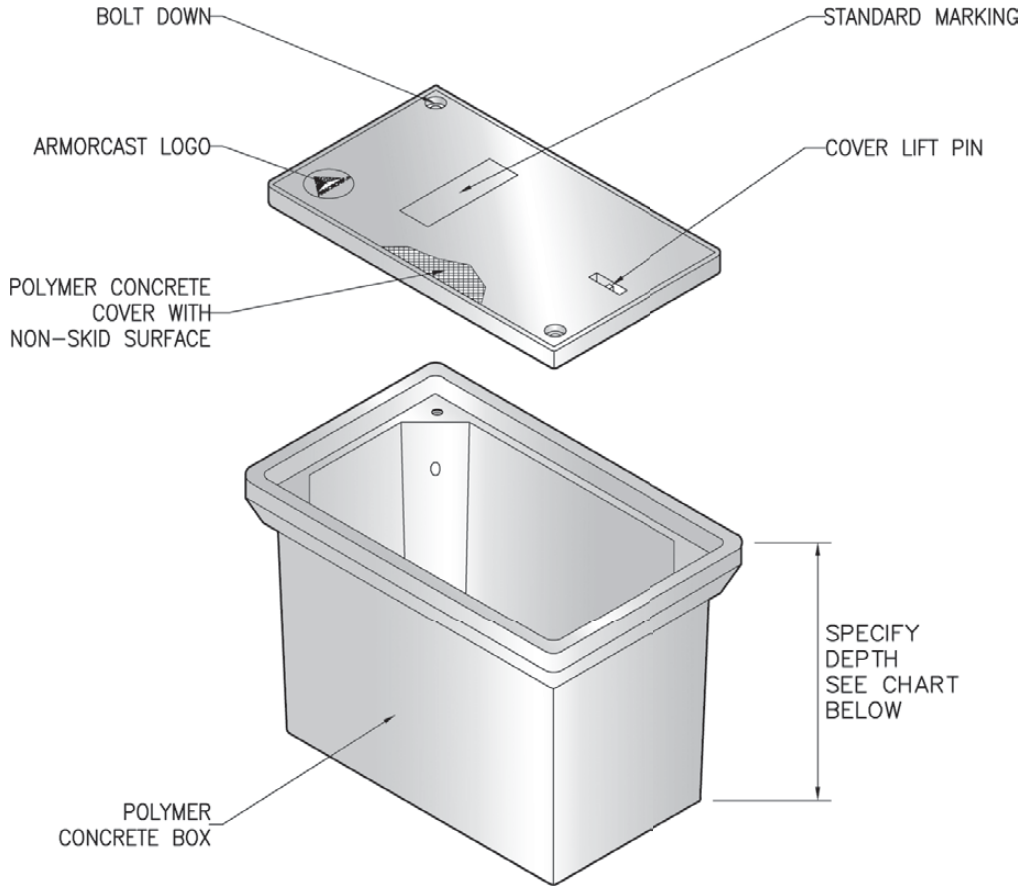
**POLYMER CONCRETE**

**ARMORCAST PRODUCTS COMPANY**

A6001429



**LISTED**  
FILE #E364252



POLYMER CONCRETE BOXES

### 11"W x 18"L BOX ASSEMBLIES Specify Depth Below

DESCRIPTION	NOMINAL SIZE W x L x D	LOAD RATING	ANSI TIER	PART NUMBER	APPROX. WEIGHT	PALLET QTY.
Box & Cover Assembly	11" x 18" x 12"	10K	8	A6001429A	47 lbs.	18
	11" x 18" x 12"	20K	15 / 22	A6001429TA / A6001429HDA	47 lbs.	18
Box & Cover Assembly	11" x 18" x 18"	10K	8	A6001429AX18	71 lbs.	12
	11" x 18" x 18"	20K	15/ 22	A6001429TAX18 / A6001429HDAX18	71 lbs.	12

### COMPONENTS

MORE COVER VARIATIONS ARE AVAILABLE IN OUR "COVER SECTION"

DESCRIPTION	NOMINAL SIZE W x L x D	LOAD RATING	ANSI TIER	PART NUMBER	APPROX. WEIGHT	PALLET QTY.
Replacement Covers	11" x 18"	10K	8	A6001428	15 lbs.	50
	11" x 18"	20K	15	A6001428T	15 lbs.	50
Replacement Boxes	11" x 18" x 12"	10K / 20K	22	A6001429	32 lbs.	18
	11" x 18" x 18"	10K / 20K	22	A6001429X18	56 lbs.	12

- Boxes are Open Bottom and Stackable, also available with Solid Bottoms.
- For sizes not shown please contact Armorcast Products for more information.

THIS PRODUCT IS LISTED TO APPLICABLE UL STANDARDS AND REQUIREMENTS BY UL.

[www.armorcastprod.com](http://www.armorcastprod.com)

Tel: (818) 982-3600 Fax: (818) 982-7742



ARMORCAST PRODUCTS COMPANY

# 11" x 18" BOX ASSEMBLY

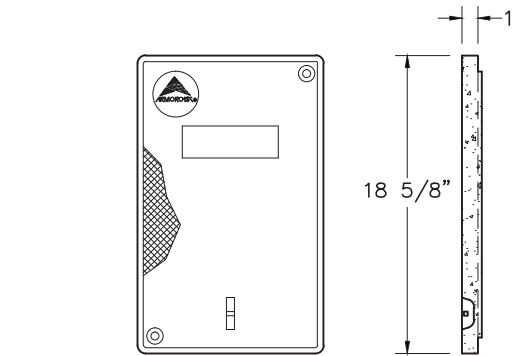
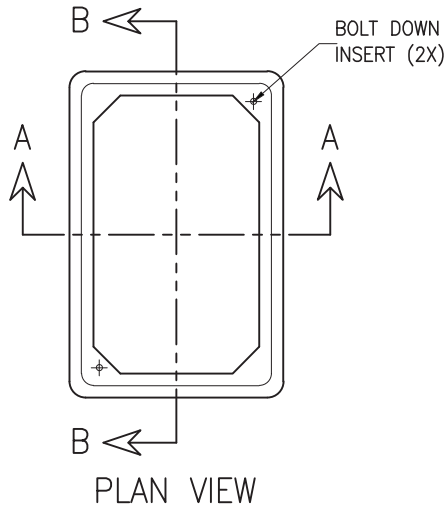
## STANDARD DIMENSIONS

POLYMER CONCRETE

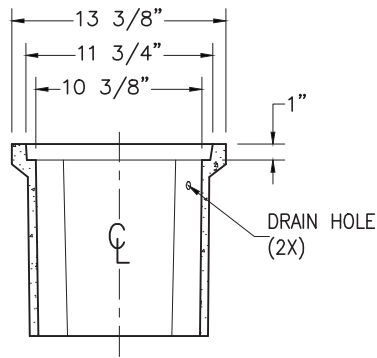
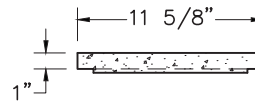
A6001429



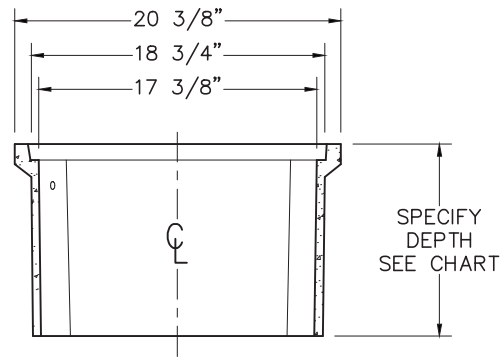
FILE #E364252



POLYMER CONCRETE COVER



SECTION A-A



SECTION B-B

Armorcast Products Company reserves the right to update or discontinue product information at any time without notice.

THIS PRODUCT IS LISTED TO APPLICABLE UL STANDARDS AND REQUIREMENTS BY UL.

[www.armorcastprod.com](http://www.armorcastprod.com)

Tel: (818) 982-3600 Fax: (818) 982-7742

POLYMER CONCRETE BOXES

# 11" x 21" BOX ASSEMBLY

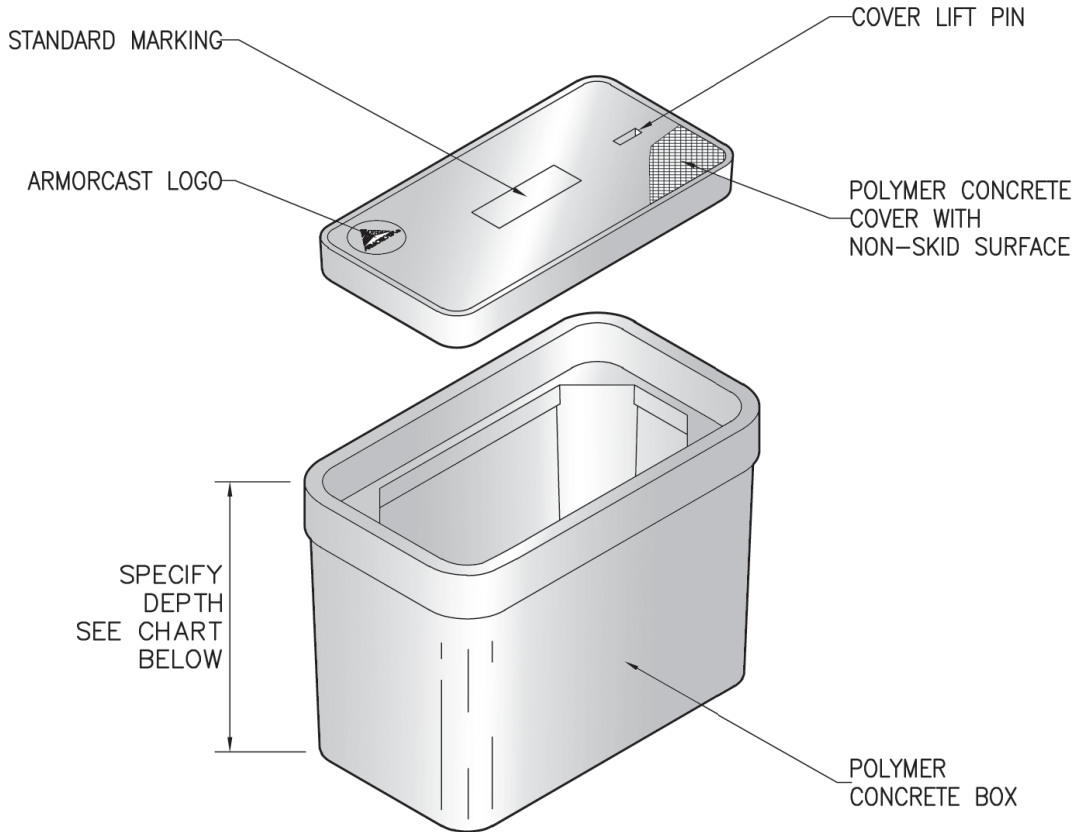
## 12" DEPTH



**POLYMER CONCRETE**

**ARMORCAST PRODUCTS COMPANY**

A6000492



POLYMER CONCRETE BOXES

### 11"W x 21"L BOX ASSEMBLIES Specify Depth Below

DESCRIPTION	NOMINAL SIZE W x L x D	LOAD RATING	ANSI TIER	PART NUMBER	APPROX. WEIGHT	PALLET QTY.
Box & Cover Assembly	11" x 21" x 12"	10K	8	A6000492A	79 lbs.	20
	11" x 21" x 12"	20K	15	A6000492TA	79 lbs.	20

### COMPONENTS

MORE COVER VARIATIONS ARE AVAILABLE IN OUR "COVER SECTION"

DESCRIPTION	NOMINAL SIZE W x L x D	LOAD RATING	ANSI TIER	PART NUMBER	APPROX. WEIGHT	PALLET QTY.
Replacement Covers	11" x 21"	10K	8	A6000489	15 lbs.	50
	11" x 21"	20K	15	A6000489T	15 lbs.	50
Replacement Box	11" x 21" x 12"	10K / 20K	8 / 15	A6000492	64 lbs.	20

- Boxes are Open Bottom and Stackable, also available with Solid Bottoms.
- For sizes not shown please contact Armorcast Products for more information.

[www.armorcastprod.com](http://www.armorcastprod.com)

Tel: (818) 982-3600 Fax: (818) 982-7742



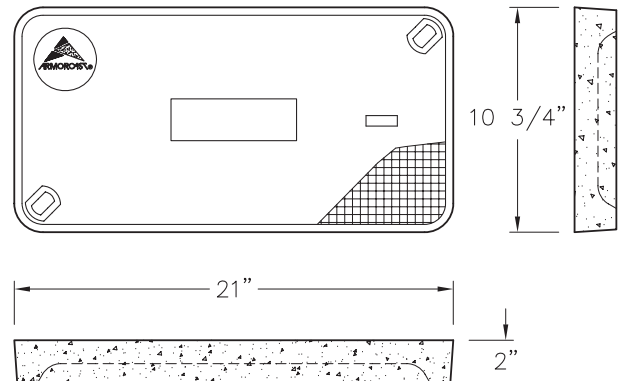
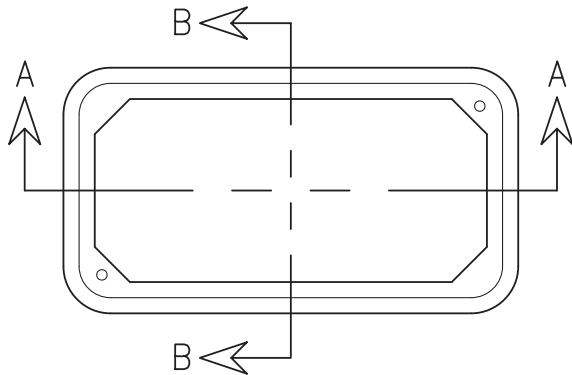
ARMORCAST PRODUCTS COMPANY

# 11" x 21" BOX ASSEMBLY

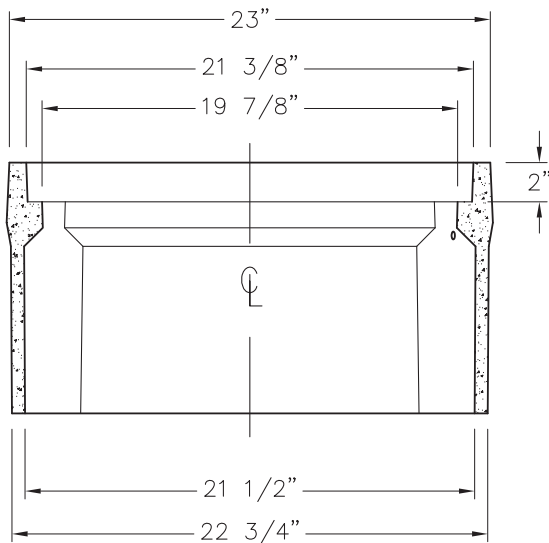
## STANDARD DIMENSIONS

POLYMER CONCRETE

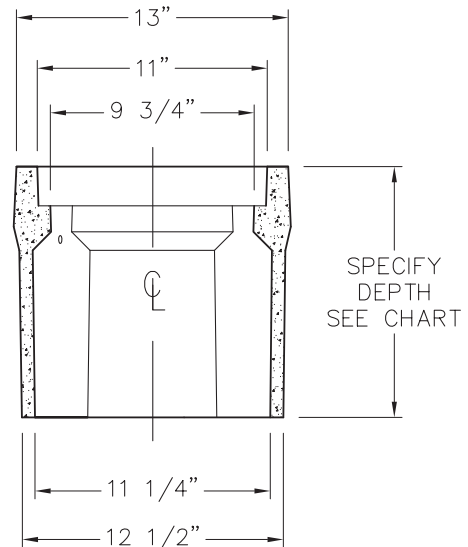
A6000492



### POLYMER CONCRETE COVER



SECTION A-A



SECTION B-B

### POLYMER CONCRETE BOX

Armorcast Products Company reserves the right to update or discontinue product information at any time without notice.

[www.armorcastprod.com](http://www.armorcastprod.com)

Tel: (818) 982-3600 Fax: (818) 982-7742

POLYMER CONCRETE BOXES

# 11" x 21" FLARED BOX ASSEMBLY

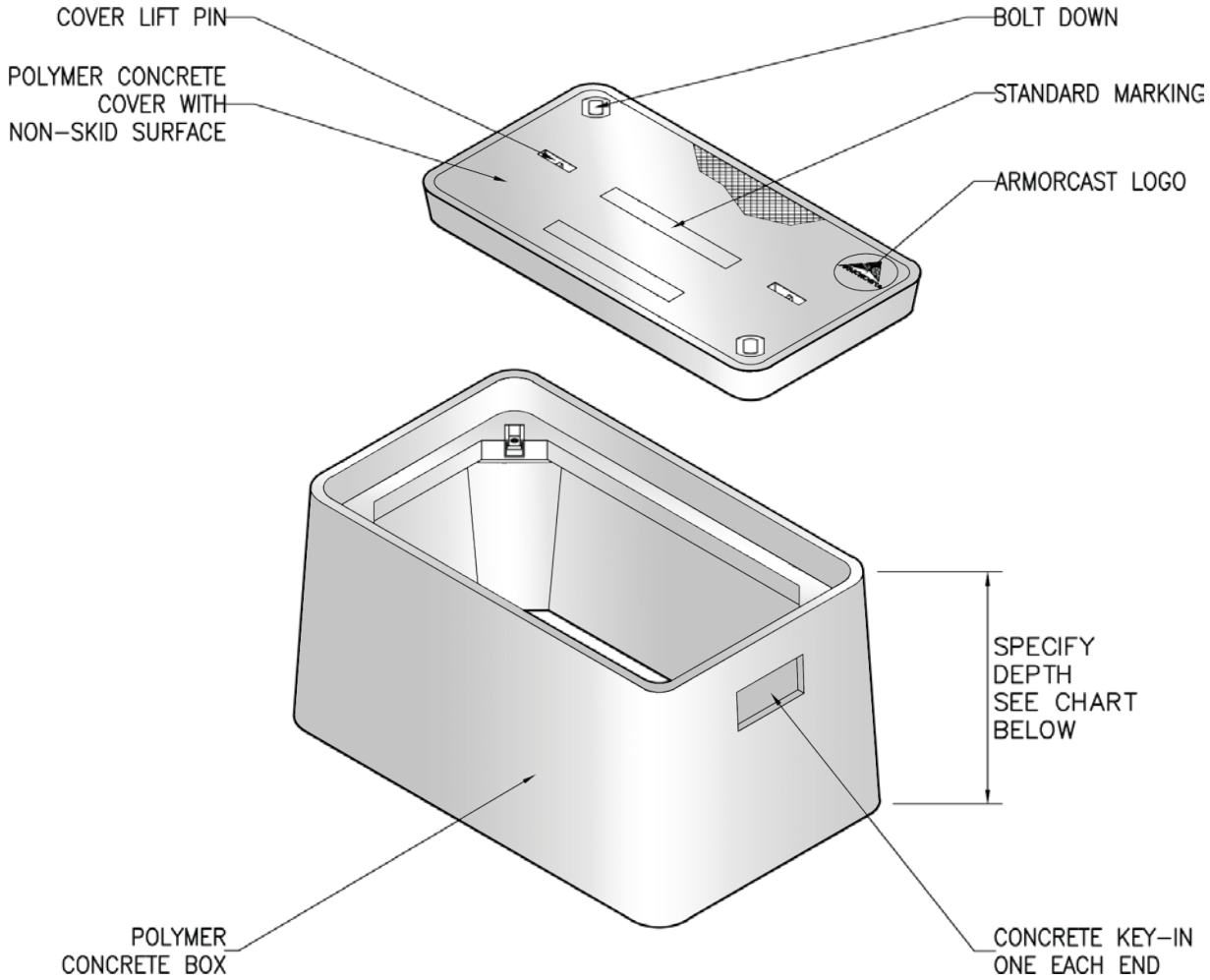
## 12" DEPTH



**POLYMER CONCRETE**

**ARMORCAST PRODUCTS COMPANY**

A6001863



POLYMER CONCRETE BOXES

### 11"W x 21"L FLARED BOX ASSEMBLIES Specify Depth Below

DESCRIPTION	NOMINAL SIZE W x L x D	LOAD RATING	ANSI TIER	PART NUMBER	APPROX. WEIGHT	PALLET QTY.
Box & Cover Assembly	11" x 21" x 12"	10K	8	A6001863A	81 lbs.	15
	11" x 21" x 12"	20K	15	A6001863TA	90 lbs.	15

### COMPONENTS

MORE COVER VARIATIONS ARE AVAILABLE IN OUR "COVER SECTION"

DESCRIPTION	NOMINAL SIZE W x L x D	LOAD RATING	ANSI TIER	PART NUMBER	APPROX. WEIGHT	PALLET QTY.
Replacement Covers	11" x 21"	10K	8	A6001865	25 lbs.	50
	11" x 21"	20K	15	A6001865T	34 lbs.	50
Replacement Box	11" x 21" x 12"	10K / 20K	8 / 15	A6001863	56 lbs.	15

- Boxes are Open Bottom.
- For sizes not shown please contact Armorcast Products for more information.

[www.armorcastprod.com](http://www.armorcastprod.com)

Tel: (818) 982-3600 Fax: (818) 982-7742





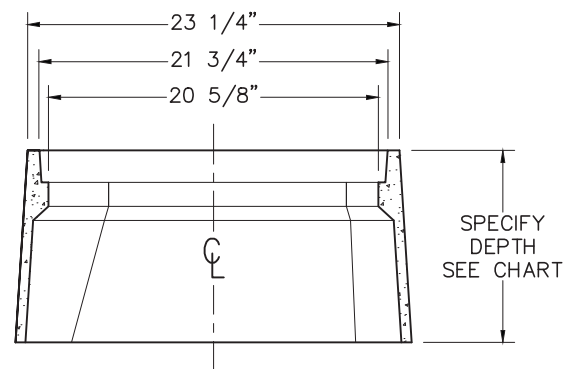
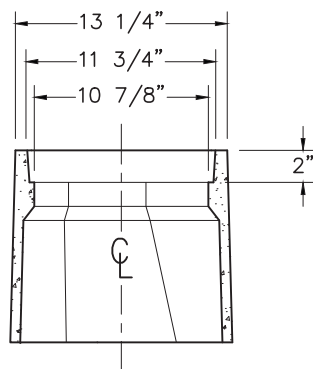
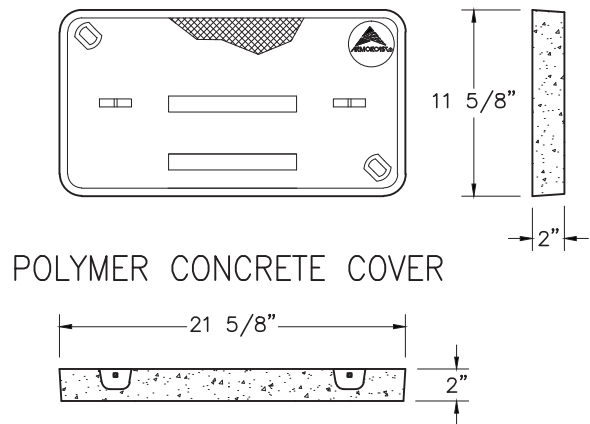
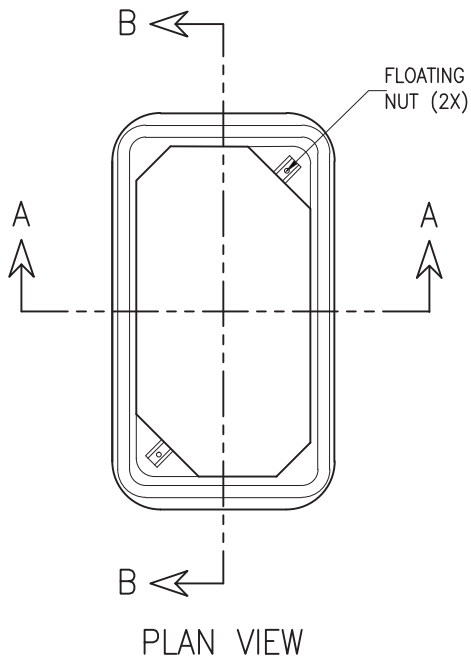
# 11" x 21" FLARED BOX ASSEMBLY

## STANDARD DIMENSIONS

ARMORCAST PRODUCTS COMPANY

POLYMER CONCRETE

A6001863



Armorcast Products Company reserves the right to update or discontinue product information at any time without notice.

[www.armorcastprod.com](http://www.armorcastprod.com)

Tel: (818) 982-3600 Fax: (818) 982-7742

# 12" x 12" BOX ASSEMBLY

## 12" & 24" DEPTHS



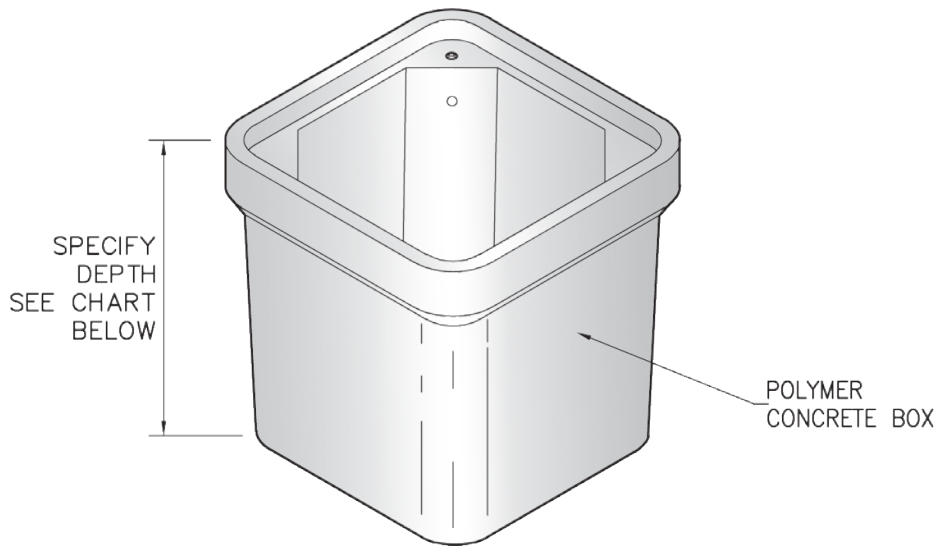
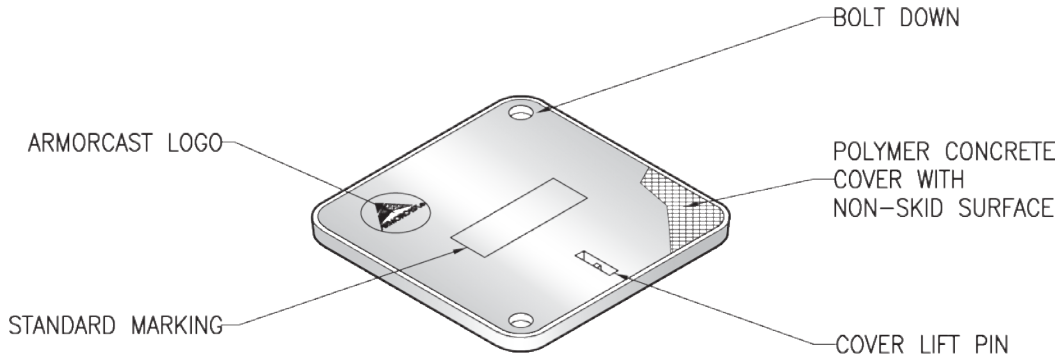
**POLYMER CONCRETE**

**ARMORCAST PRODUCTS COMPANY**

A6001423



LISTED  
FILE #E364252



POLYMER CONCRETE BOXES

### 12"W x 12"L BOX ASSEMBLIES Specify Depth Below

DESCRIPTION	NOMINAL SIZE W x L x D	LOAD RATING	ANSI TIER	PART NUMBER	APPROX. WEIGHT	PALLET QTY.
Box & Cover Assembly	12" x 12" x 12"	10K	8	A6001423A	42 lbs.	27
	12" x 12" x 12"	20K	15 / 22	A6001423TA / A6001423HD	46 lbs.	27
Box & Cover Assembly	12" x 12" x 24"	10K	8	A6001423AX24	72 lbs.	9
	12" x 12" x 24"	20K	15 / 22	A6001423TAX24 / A6001423HDAX24	76 lbs.	9

### COMPONENTS

MORE COVER VARIATIONS ARE AVAILABLE IN OUR "COVER SECTION"

DESCRIPTION	NOMINAL SIZE W x L x D	LOAD RATING	ANSI TIER	PART NUMBER	APPROX. WEIGHT	PALLET QTY.
Replacement Covers	12" x 12"	10K	8	A6001422	15 lbs.	50
	12" x 12"	20K	15	A6001422T	19 lbs.	50
Replacement Boxes	12" x 12" x 12"	10K / 20K	22	A6001423	27 lbs.	18
	12" x 12" x 24"	10K / 20K	22	A6001423X24	57 lbs.	9

- Boxes are Open Bottom and Stackable, also available with Solid Bottoms.
- For sizes not shown please contact Armorcast Products for more information.

THIS PRODUCT IS LISTED TO APPLICABLE UL STANDARDS AND REQUIREMENTS BY UL.

[www.armorcastprod.com](http://www.armorcastprod.com)

Tel: (818) 982-3600 Fax: (818) 982-7742



ARMORCAST PRODUCTS COMPANY

# 12" x 12" BOX ASSEMBLY

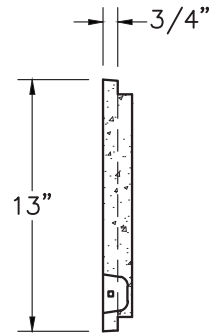
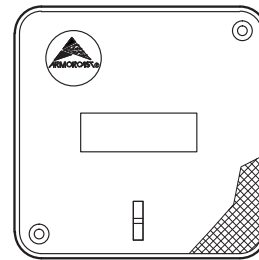
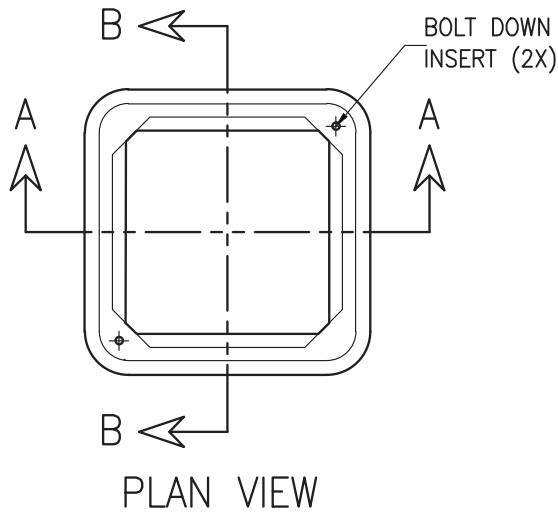
## STANDARD DIMENSIONS

POLYMER CONCRETE

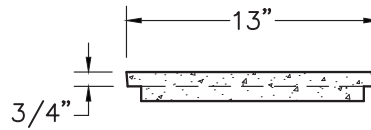
A6001423



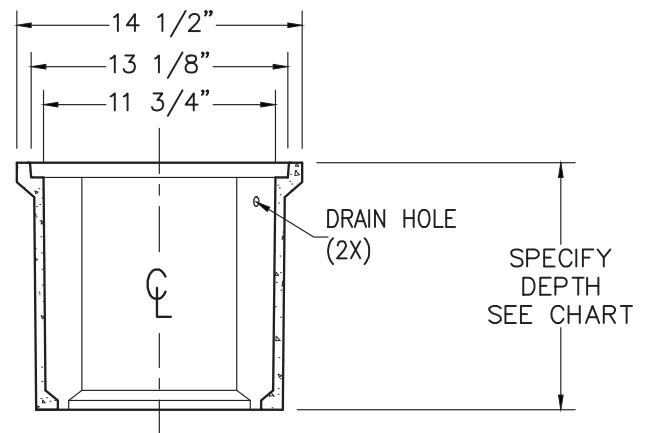
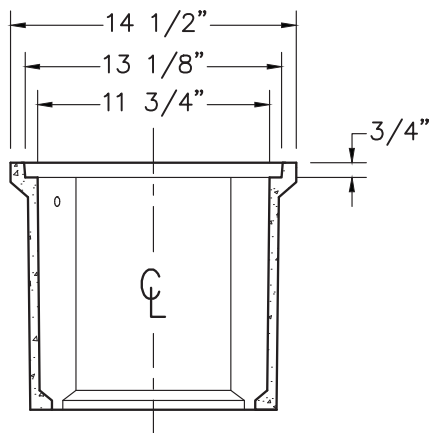
FILE #E364252



POLYMER CONCRETE COVER



POLYMER CONCRETE BOXES



Armorcast Products Company reserves the right to update or discontinue product information at any time without notice.

THIS PRODUCT IS LISTED TO APPLICABLE UL STANDARDS AND REQUIREMENTS BY UL.

[www.armorcastprod.com](http://www.armorcastprod.com)

Tel: (818) 982-3600 Fax: (818) 982-7742

# 12" x 12" FLARED BOX ASSEMBLY

## 24" DEPTH



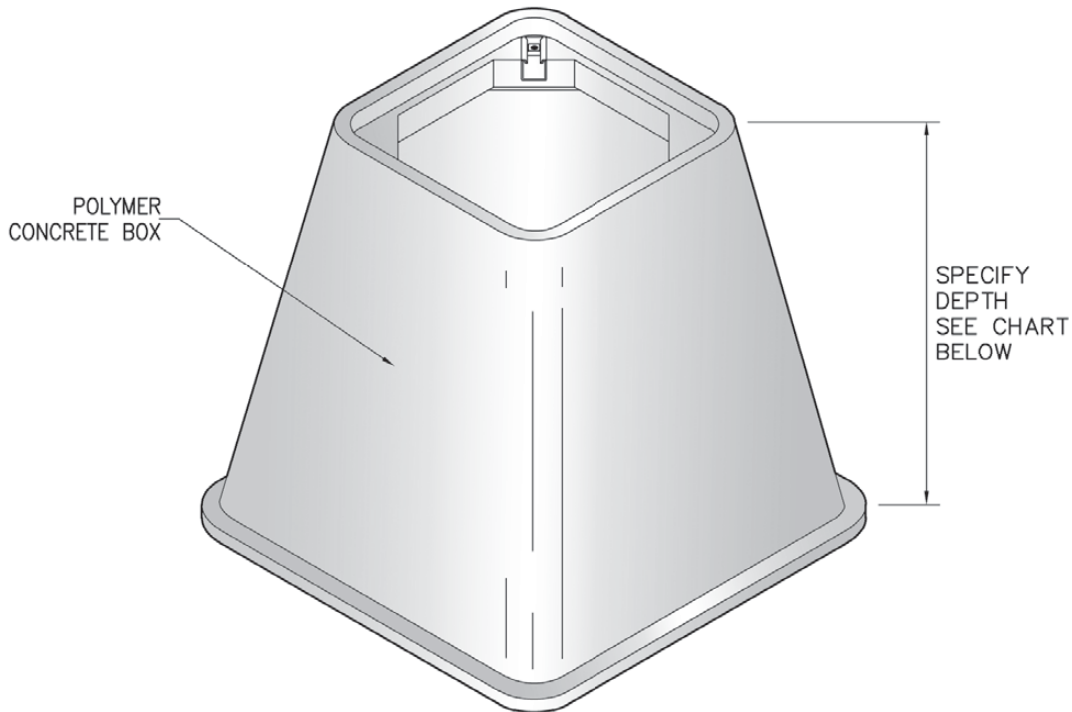
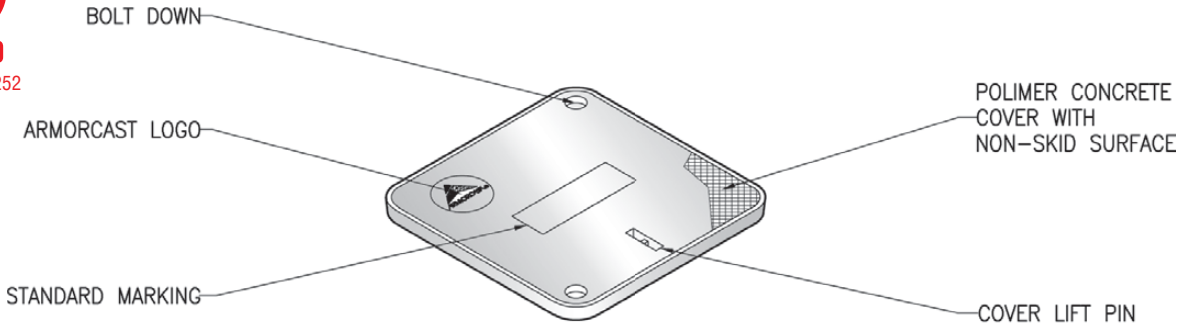
**POLYMER CONCRETE**

**ARMORCAST PRODUCTS COMPANY**

A6001212



LISTED  
FILE #E364252



POLYMER CONCRETE BOXES

### 12"W x 12"L FLARED BOX ASSEMBLIES Specify Depth Below

DESCRIPTION	NOMINAL SIZE W x L x D	LOAD RATING	ANSI TIER	PART NUMBER	APPROX. WEIGHT	PALLET QTY.
Box & Cover Assembly	12" x 12" x 24"	10K	8	A6001212AX24	77 lbs.	16
	12" x 12" x 24"	20K	15 / 22	A6001212TAX24 / A6001212HDAX24	81 lbs.	16

### COMPONENTS

MORE COVER VARIATIONS ARE AVAILABLE IN OUR "COVER SECTION"

DESCRIPTION	NOMINAL SIZE W x L x D	LOAD RATING	ANSI TIER	PART NUMBER	APPROX. WEIGHT	PALLET QTY.
Replacement Covers	12" x 12"	10K	8	A6001422	15 lbs.	50
	12" x 12"	20K	15	A6001422T	19 lbs.	50
Replacement Box	12" x 12" x 24"	10K / 20K	22	A6001212X24	62 lbs.	16

- Boxes are Open Bottom.
- For sizes not shown please contact Armorcast Products for more information.

THIS PRODUCT IS LISTED TO APPLICABLE UL STANDARDS AND REQUIREMENTS BY UL.

[www.armorcastprod.com](http://www.armorcastprod.com)

Tel: (818) 982-3600 Fax: (818) 982-7742



# 12" x 12" FLARED BOX ASSEMBLY

## STANDARD DIMENSIONS

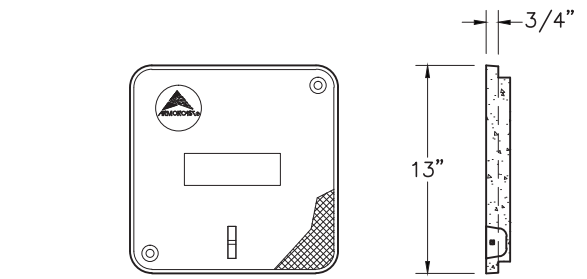
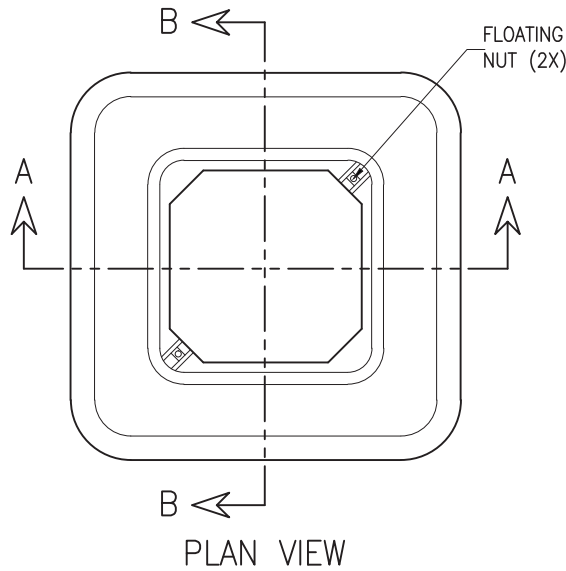
ARMORCAST PRODUCTS COMPANY

POLYMER CONCRETE

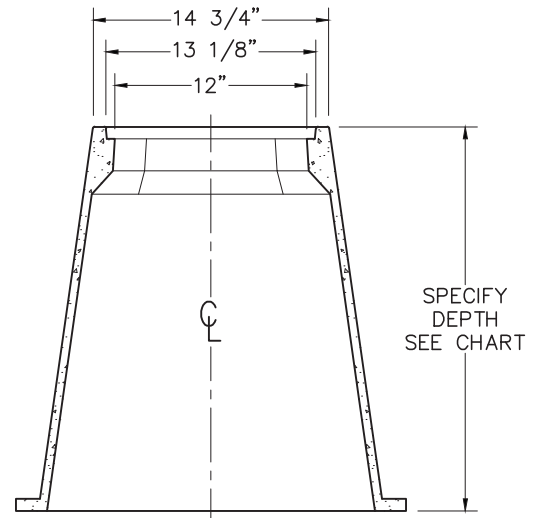
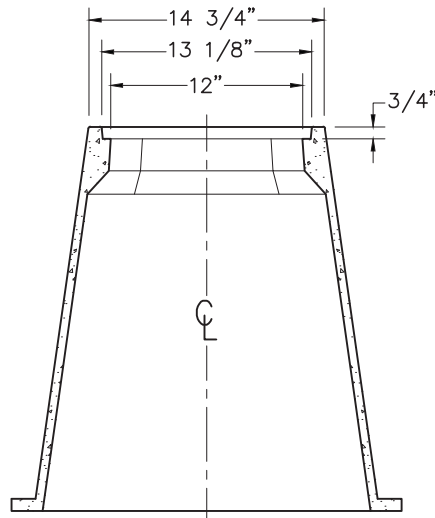
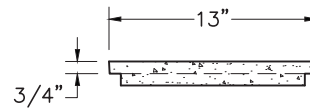
A6001212



FILE #E364252



POLYMER CONCRETE COVER



Armorcast Products Company reserves the right to update or discontinue product information at any time without notice.

THIS PRODUCT IS LISTED TO APPLICABLE UL STANDARDS AND REQUIREMENTS BY UL.

[www.armorcastprod.com](http://www.armorcastprod.com)

Tel: (818) 982-3600 Fax: (818) 982-7742

# 12" x 18" BOX ASSEMBLY

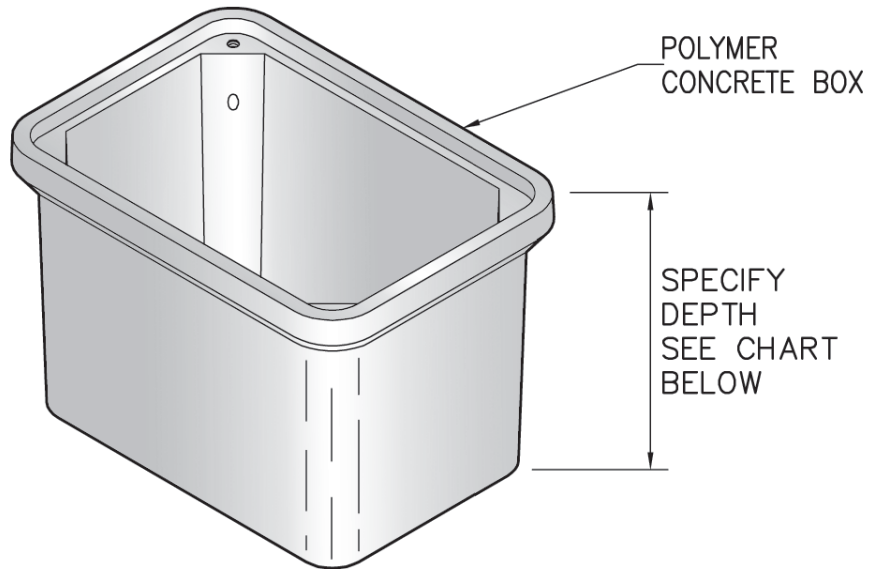
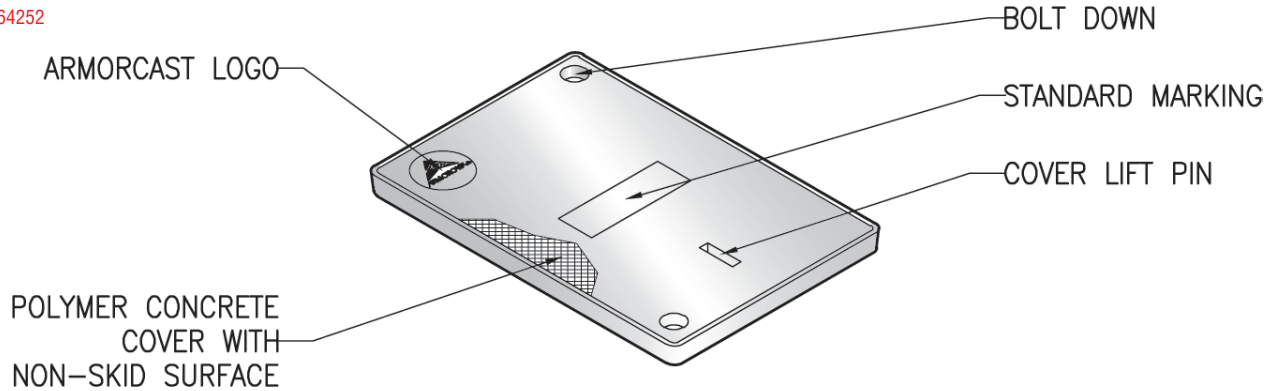
12" DEPTH



**POLYMER CONCRETE**

**ARMORCAST PRODUCTS COMPANY**

A6001425



POLYMER CONCRETE BOXES

## 12"W x 18"L BOX ASSEMBLIES Specify Depth Below

DESCRIPTION	NOMINAL SIZE W x L x D	LOAD RATING	ANSI TIER	PART NUMBER	APPROX. WEIGHT	PALLET QTY.
Box & Cover Assembly	12" x 18" x 12"	10K	8	A6001425A	58 lbs.	18
	12" x 18" x 12"	20K	15 / 22	A6001425TA / A6001425HDA	58 lbs.	18

## COMPONENTS

MORE COVER VARIATIONS ARE AVAILABLE IN OUR "COVER SECTION"

DESCRIPTION	NOMINAL SIZE W x L x D	LOAD RATING	ANSI TIER	PART NUMBER	APPROX. WEIGHT	PALLET QTY.
Replacement Covers	12" x 18"	10K	8	A6001426	17 lbs.	50
	12" x 18"	20K	15	A6001426T	17 lbs.	50
Replacement Box	12" x 18" x 12"	10K / 20K	22	A6001425	41 lbs.	18

- Boxes are Open Bottom and Stackable, also available with Solid Bottoms.
- For sizes not shown please contact Armorcast Products for more information.

THIS PRODUCT IS LISTED TO APPLICABLE UL STANDARDS AND REQUIREMENTS BY UL.

[www.armorcastprod.com](http://www.armorcastprod.com)

Tel: (818) 982-3600 Fax: (818) 982-7742



ARMORCAST PRODUCTS COMPANY

# 12" x 18" BOX ASSEMBLY

## STANDARD DIMENSIONS

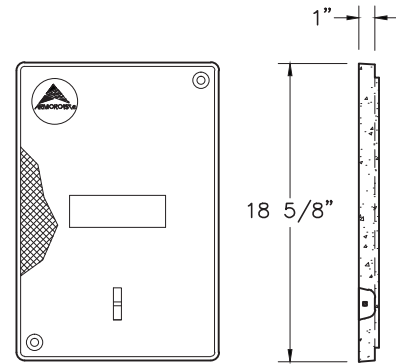
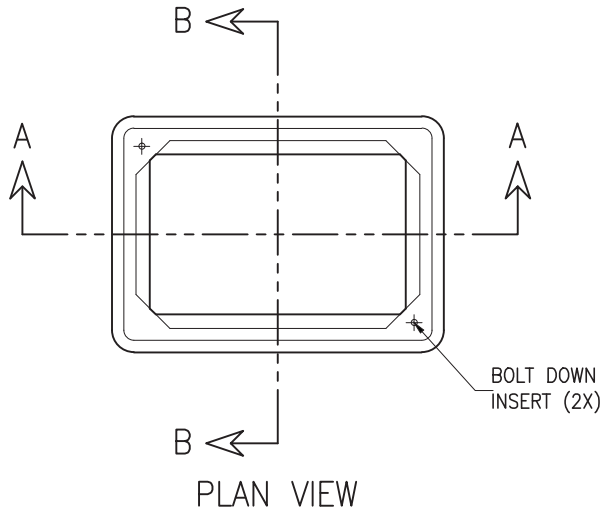
POLYMER CONCRETE

A6001425

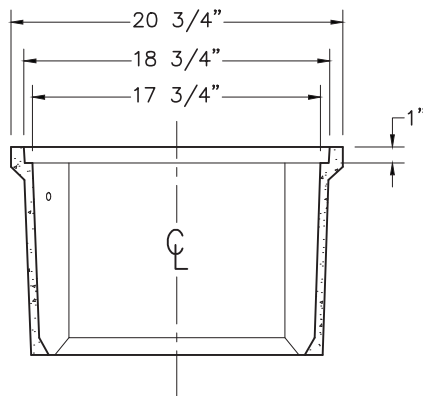
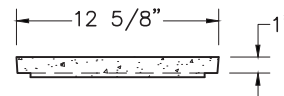


LISTED

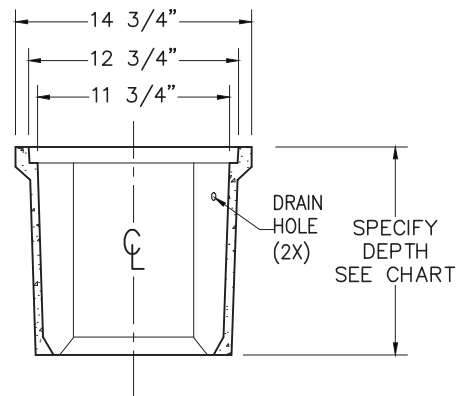
FILE #E364252



POLYMER CONCRETE COVER



SECTION A-A



SECTION B-B

Armorcast Products Company reserves the right to update or discontinue product information at any time without notice.

THIS PRODUCT IS LISTED TO APPLICABLE UL STANDARDS AND REQUIREMENTS BY UL.

[www.armorcastprod.com](http://www.armorcastprod.com)

Tel: (818) 982-3600 Fax: (818) 982-7742

POLYMER CONCRETE BOXES

# 12" x 20" BOX ASSEMBLY

## 12" DEPTH



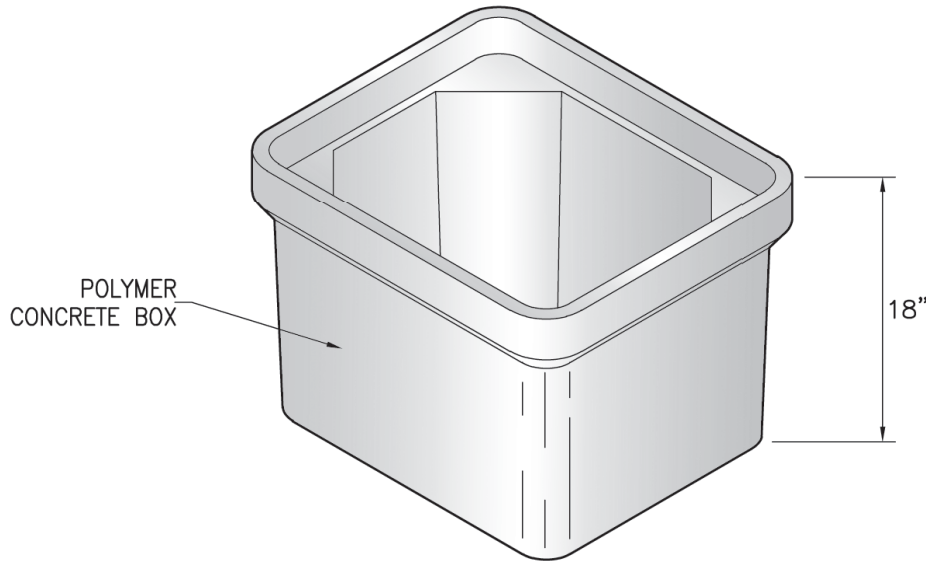
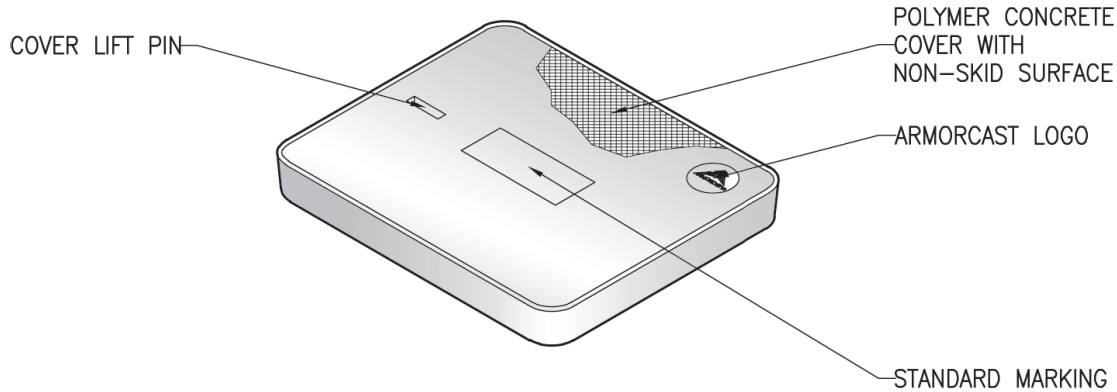
**POLYMER CONCRETE**

**ARMORCAST PRODUCTS COMPANY**

A6000485



**LISTED**  
FILE #E364252



POLYMER CONCRETE BOXES

### 12"W x 20"L BOX ASSEMBLIES Specify Depth Below

DESCRIPTION	NOMINAL SIZE W x L x D	LOAD RATING	ANSI TIER	PART NUMBER	APPROX. WEIGHT	PALLET QTY.
Box & Cover Assembly	12" x 20" x 12"	10K	8	A6000485AX12	47 lbs.	24
	12" x 20" x 12"	20K	15 / 22	A6000485TAX12 / A6000485HDAX12	55 lbs.	24

### COMPONENTS

MORE COVER VARIATIONS ARE AVAILABLE IN OUR "COVER SECTION"

DESCRIPTION	NOMINAL SIZE W x L x D	LOAD RATING	ANSI TIER	PART NUMBER	APPROX. WEIGHT	PALLET QTY.
Replacement Covers	12" x 20"	10K	8	A6000484	15 lbs.	50
	12" x 20"	20K	15	A6000484T	23 lbs.	50
Replacement Box	12" x 20" x 12"	10K / 20K	22	A6000485	32 lbs.	24

- Boxes are Open Bottom and Stackable, also available with Solid Bottoms.
- For sizes not shown please contact Armorcast Products for more information.

THIS PRODUCT IS LISTED TO APPLICABLE UL STANDARDS AND REQUIREMENTS BY UL.

[www.armorcastprod.com](http://www.armorcastprod.com)

Tel: (818) 982-3600 Fax: (818) 982-7742





ARMORCAST PRODUCTS COMPANY

# 12" x 20" BOX ASSEMBLY

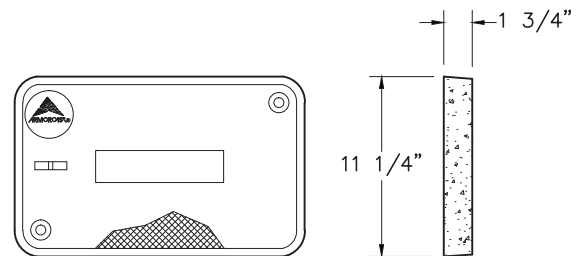
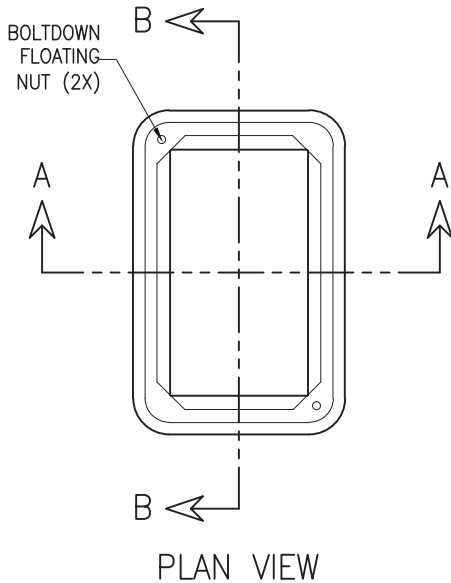
## STANDARD DIMENSIONS

POLYMER CONCRETE

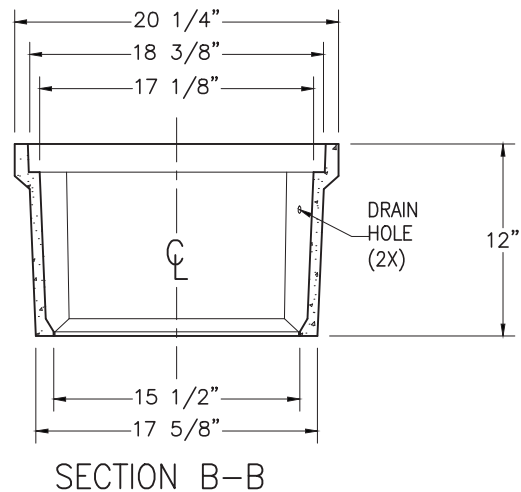
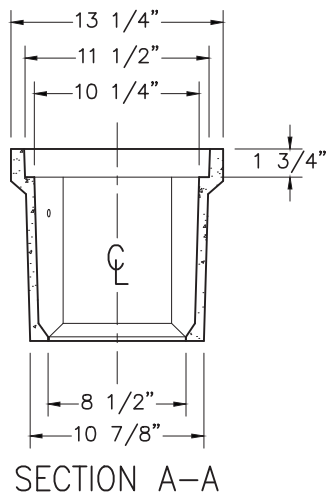
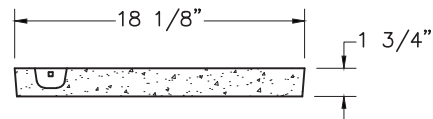
A6000485



FILE #E364252



POLYMER CONCRETE COVER



Armorcast Products Company reserves the right to update or discontinue product information at any time without notice.

[www.armorcastprod.com](http://www.armorcastprod.com)

THIS PRODUCT IS LISTED TO APPLICABLE UL STANDARDS AND REQUIREMENTS BY UL.

Tel: (818) 982-3600 Fax: (818) 982-7742

POLYMER CONCRETE BOXES

# 13" x 24" BOX ASSEMBLY

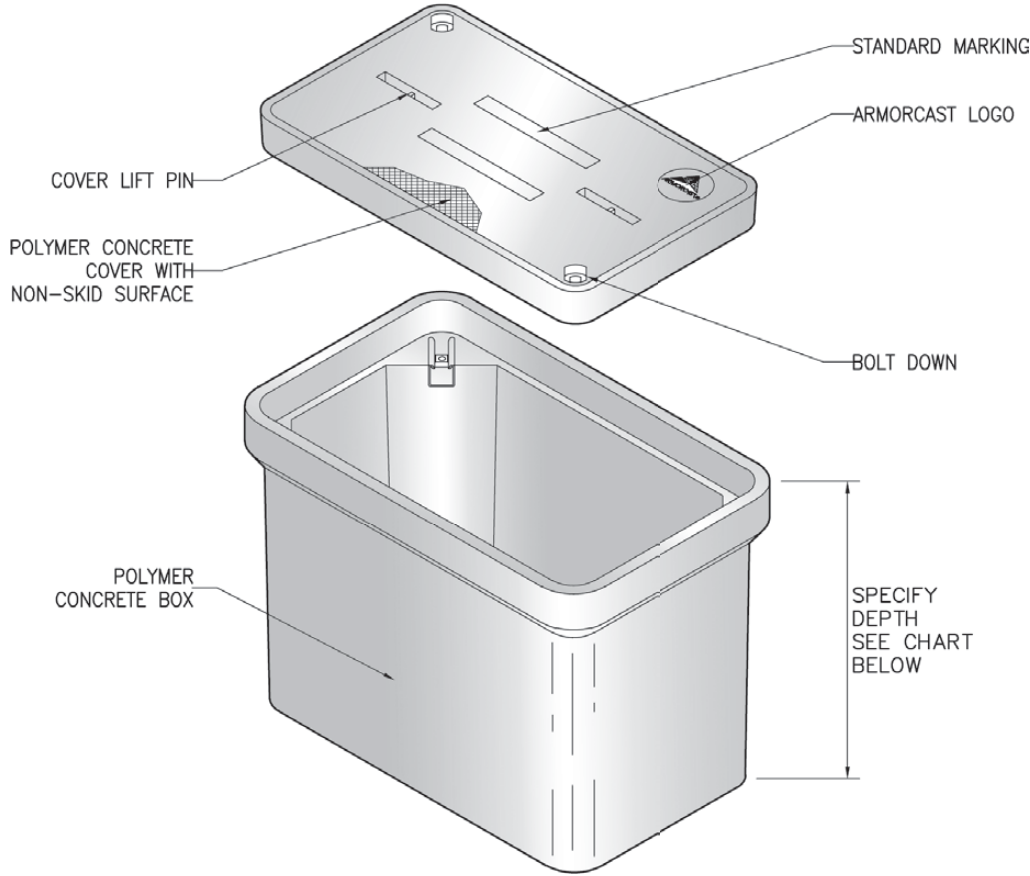
## 12" to 24" DEPTHS



**POLYMER CONCRETE**

**ARMORCAST PRODUCTS COMPANY**

A6001946



POLYMER CONCRETE BOXES

### 13"W x 24"L BOX ASSEMBLIES Specify Depth Below

DESCRIPTION	NOMINAL SIZE W x L x D	LOAD RATING	ANSI TIER	PART NUMBER	APPROX. WEIGHT	PALLET QTY.
Box & Cover Assembly	13" x 24" x 12"	10K	8	A6001946APCX12	83 lbs.	15
	13" x 24" x 12"	20K	15 / 22	A6001946TAPCX12 / A6001946HDAPCX12	91 lbs.	15
Box & Cover Assembly	13" x 24" x 18"	10K	8	A6001946APCX18	117 lbs.	10
	13" x 24" x 18"	20K	15 / 22	A6001946TAPCX18 / A6001946HDAPCX18	125 lbs.	10
Box & Cover Assembly	13" x 24" x 24"	10K	8	A6001946APCX24	125 lbs.	5
	13" x 24" x 24"	20K	15 / 22	A6001946TAPCX24 / A6001946HDAPCX24	133 lbs.	5

### COMPONENTS

MORE COVER VARIATIONS ARE AVAILABLE IN OUR "COVER SECTION"

DESCRIPTION	NOMINAL SIZE W x L x D	LOAD RATING	ANSI TIER	PART NUMBER	APPROX. WEIGHT	PALLET QTY.
Replacement Covers	13" x 24"	10K	8	A6001866	33 lbs.	50
	13" x 24"	20K	15 / 22	A6001969 / A6001969HD	41 lbs.	50
Replacement Boxes	13" x 24" x 12"	10K / 20K	22	A6001946PCX12	50 lbs.	15
	13" x 24" x 18"	10K / 20K	22	A6001946PCX18	84 lbs.	10
	13" x 24" x 24"	10K / 20K	22	A6001946PCX24	92 lbs.	5

- Boxes are Open Bottom and Stackable, also available with Solid Bottoms.
- For sizes not shown please contact Armorcast Products for more information.

THIS PRODUCT IS LISTED TO APPLICABLE UL STANDARDS AND REQUIREMENTS BY UL.

[www.armorcastprod.com](http://www.armorcastprod.com)

Tel: (818) 982-3600 Fax: (818) 982-7742



ARMORCAST PRODUCTS COMPANY

# 13" x 24" BOX ASSEMBLY

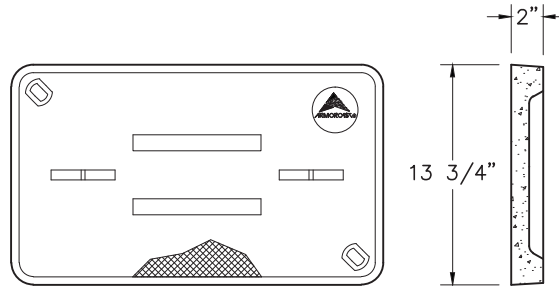
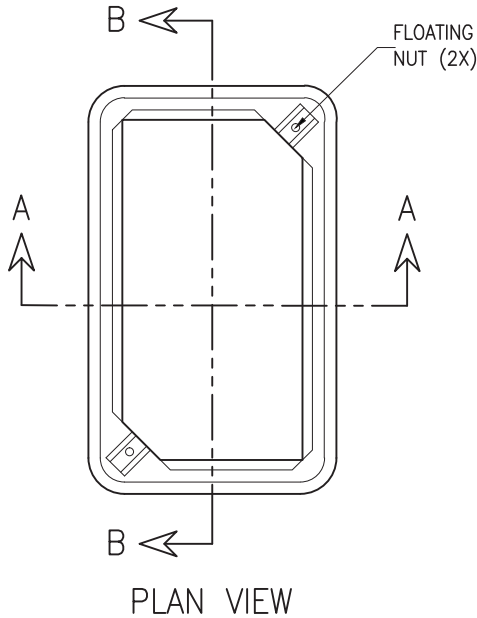
## STANDARD DIMENSIONS

POLYMER CONCRETE

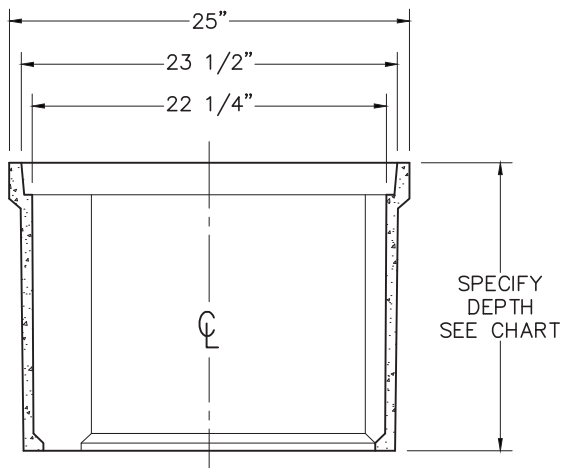
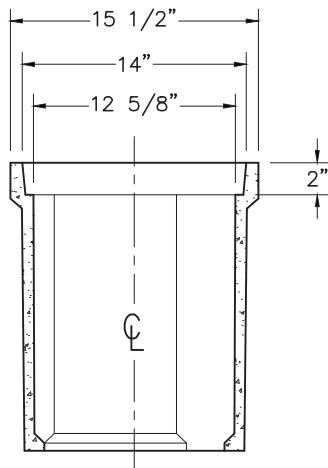
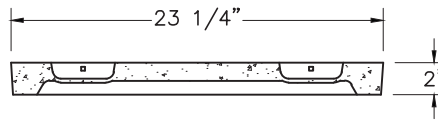
A6001946



LISTED  
FILE #E364252



POLYMER CONCRETE COVER



Armorcast Products Company reserves the right to update or discontinue product information at any time without notice.

THIS PRODUCT IS LISTED TO APPLICABLE UL STANDARDS AND REQUIREMENTS BY UL.

[www.armorcastprod.com](http://www.armorcastprod.com)

Tel: (818) 982-3600 Fax: (818) 982-7742

POLYMER CONCRETE BOXES

# 17" x 30" BOX ASSEMBLY

## 12" to 30" DEPTHS



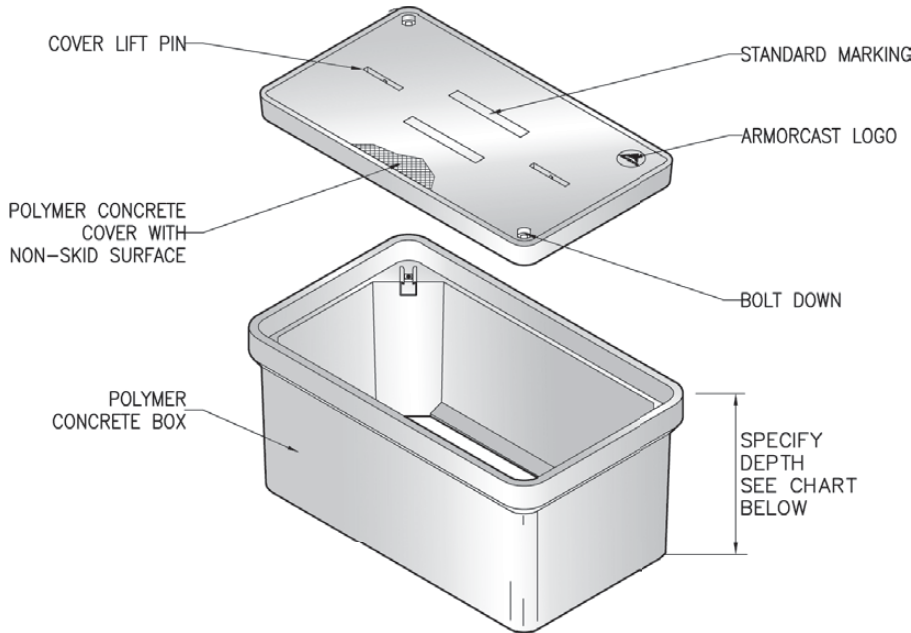
**POLYMER CONCRETE**

**ARMORCAST PRODUCTS COMPANY**

A6001640



FILE #E364252



### 17"W x 30"L BOX ASSEMBLIES Specify Depth Below

DESCRIPTION	NOMINAL SIZE W x L x D	LOAD RATING	ANSI TIER	PART NUMBER	APPROX. WEIGHT	PALLET QTY.
Box & Cover Assembly	17" x 30" x 12"	10K	8	A6001640APCX12	114 lbs.	12
	17" x 30" x 12"	20K	15 / 22	A6001640TAPCX12 / A6001640HDAPCX12	140 lbs.	12
Box & Cover Assembly	17" x 30" x 18"	10K	8	A6001640APCX18	140 lbs.	6
	17" x 30" x 18"	20K	15 / 22	A6001640TAPCX18 / A6001640HDAPCX18	166 lbs.	6
Box & Cover Assembly	17" x 30" x 22"	10K	8	A6001640APCX22	154 lbs.	6
	17" x 30" x 22"	20K	15 / 22	A6001640TAPCX22 / A6001640HDAPCX22	180 lbs.	6
Box & Cover Assembly	17" x 30" x 24"	10K	8	A6001640APCX24	165 lbs.	6
	17" x 30" x 24"	20K	15 / 22	A6001640TAPCX24 / A6001640HDAPCX24	190 lbs.	6
Box & Cover Assembly	17" x 30" x 28"	10K	8	A6001640APCX28	184 lbs.	3
	17" x 30" x 28"	20K	15 / 22	A6001640TAPCX28 / A6001640HDAPCX28	210 lbs.	3
Box & Cover Assembly	17" x 30" x 30"	10K	8	A6001640APCX30	191 lbs.	3
	17" x 30" x 30"	20K	15 / 22	A6001640TAPCX30 / A6001640HDAPCX30	221 lbs.	3

### COMPONENTS

MORE COVER VARIATIONS ARE AVAILABLE IN OUR "COVER SECTION"

DESCRIPTION	NOMINAL SIZE W x L x D	LOAD RATING	ANSI TIER	PART NUMBER	APPROX. WEIGHT	PALLET QTY.
Replacement Covers	17" x 30"	10K	8	A6001643	44 lbs.	30
	17" x 30"	20K	15 / 22	A6001947T / A6001947HD	70 lbs.	30
Replacement Boxes	17" x 30" x 12"	10K / 20K	22	A6001640PCX12	70 lbs.	12
	17" x 30" x 18"	10K / 20K	22	A6001640PCX18	96 lbs.	6
	17" x 30" x 22"	10K / 20K	22	A6001640PCX22	110 lbs.	6
	17" x 30" x 24"	10K / 20K	22	A6001640PCX24	121 lbs.	6
	17" x 30" x 28"	10K / 20K	22	A6001640PCX28	140 lbs.	3
	17" x 30" x 30"	10K / 20K	22	A6001640PCX30	151 lbs.	3

- Boxes are Open Bottom and Stackable, also available with Solid Bottoms.
- For sizes not shown please contact Armorcast Products for more information.

THIS PRODUCT IS LISTED TO APPLICABLE UL STANDARDS AND REQUIREMENTS BY UL.

[www.armorcastprod.com](http://www.armorcastprod.com)

Tel: (818) 982-3600 Fax: (818) 982-7742



ARMORCAST PRODUCTS COMPANY

# 17" x 30" BOX ASSEMBLY

## STANDARD DIMENSIONS

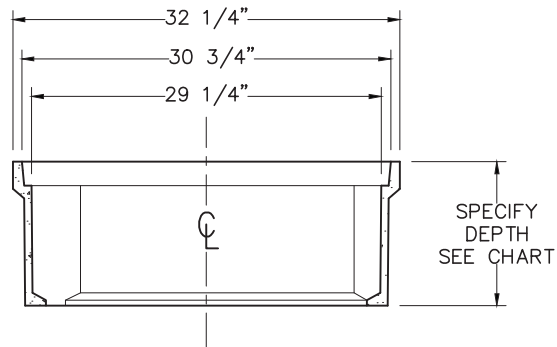
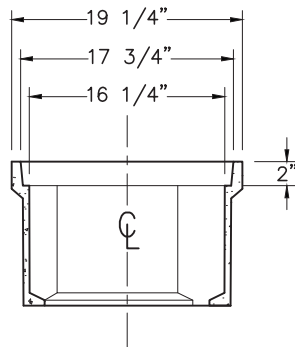
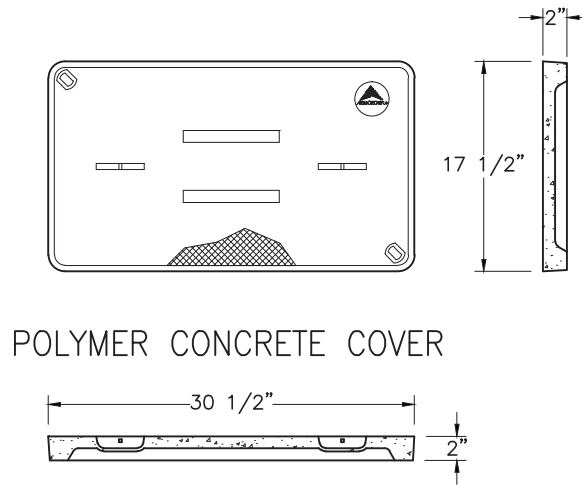
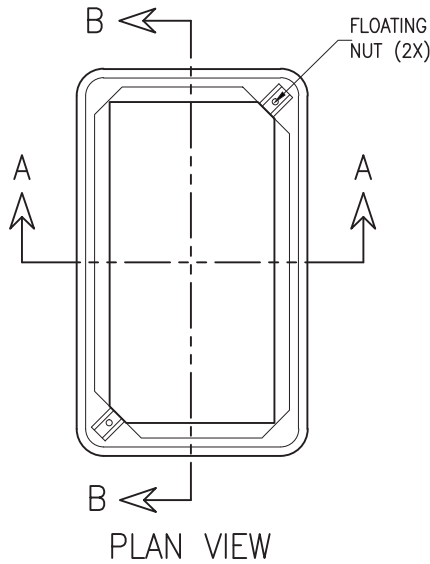
POLYMER CONCRETE

A6001640



LISTED

FILE #E364252



POLYMER CONCRETE BOXES

Armorcast Products Company reserves the right to update or discontinue product information at any time without notice.

THIS PRODUCT IS LISTED TO APPLICABLE UL STANDARDS AND REQUIREMENTS BY UL.

[www.armorcastprod.com](http://www.armorcastprod.com)

Tel: (818) 982-3600 Fax: (818) 982-7742

# 20" x 21" BOX ASSEMBLY

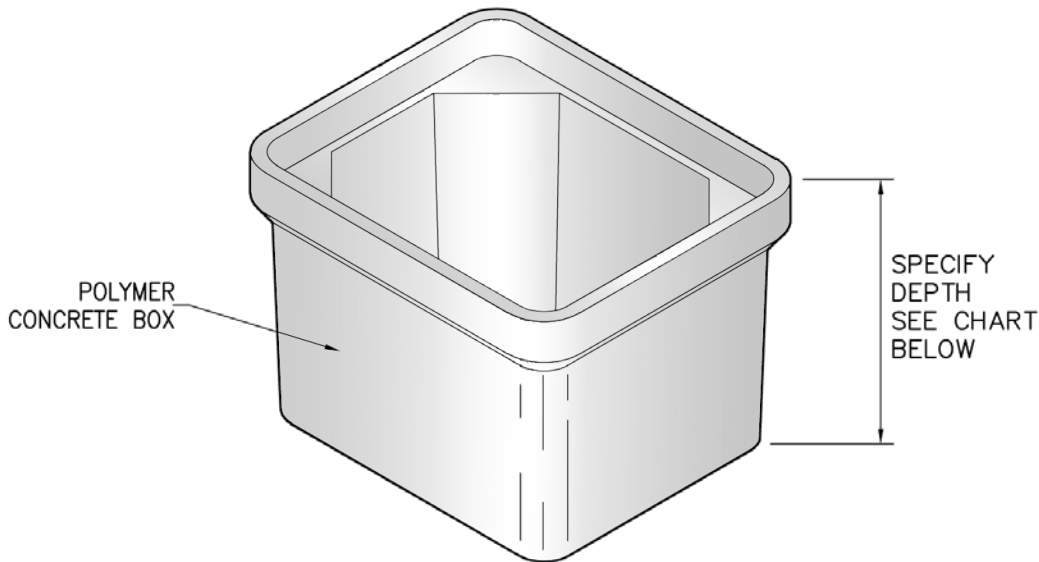
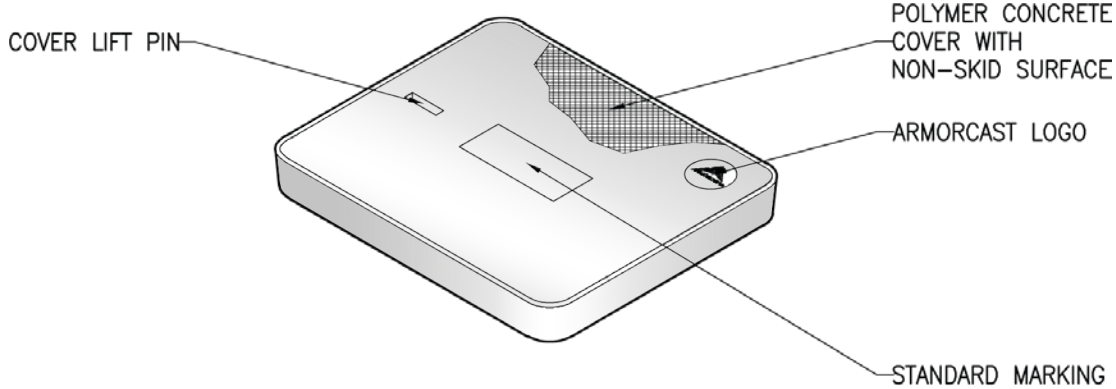
## 12" & 24" DEPTH



**POLYMER CONCRETE**

**ARMORCAST PRODUCTS COMPANY**

A6000490



POLYMER CONCRETE BOXES

### 20"W x 21"L BOX ASSEMBLIES Specify Depth Below

DESCRIPTION	NOMINAL SIZE W x L x D	LOAD RATING	ANSI TIER	PART NUMBER	APPROX. WEIGHT	PALLET QTY.
Box & Cover Assembly	20" x 21" x 12"	10K	8	A6000490A	100 lbs.	16
	20" x 21" x 12"	20K	15	A6000490TA	102 lbs.	16
Box & Cover Assembly	20" x 21" x 24"	10K	8	A6000490AX24	112 lbs.	8
	20" x 21" x 24"	20K	15	A6000490TAX24	114 lbs.	8

### COMPONENTS

MORE COVER VARIATIONS ARE AVAILABLE IN OUR "COVER SECTION"

DESCRIPTION	NOMINAL SIZE W x L x D	LOAD RATING	ANSI TIER	PART NUMBER	APPROX. WEIGHT	PALLET QTY.
Replacement Covers	20" x 21"	10K	8	A6000491	35 lbs.	40
	20" x 21"	20K	15	A6000491T	37 lbs.	40
Replacement Boxes	20" x 21" x 12"	10K / 20K	8 / 15	A6000490	65 lbs.	16
	20" x 21" x 24"	10K / 20K	8 / 15	A6000490X24	77 lbs.	8

- Boxes are Open Bottom and Stackable, also available with Solid Bottoms.
- For sizes not shown please contact Armorcast Products for more information.

[www.armorcastprod.com](http://www.armorcastprod.com)

Tel: (818) 982-3600 Fax: (818) 982-7742



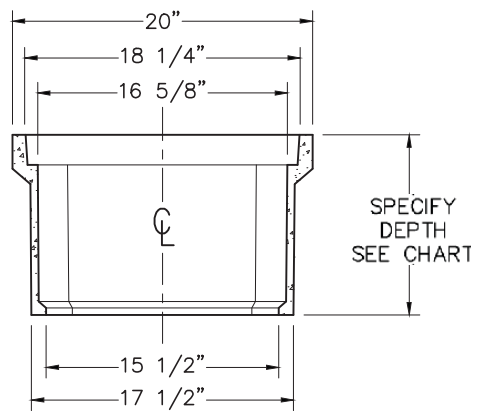
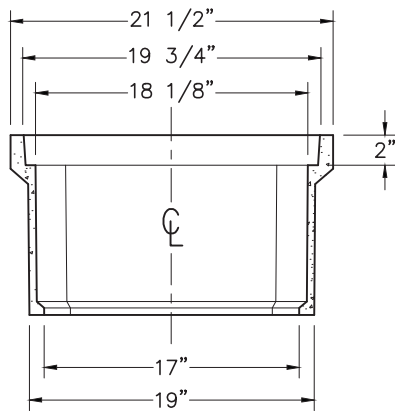
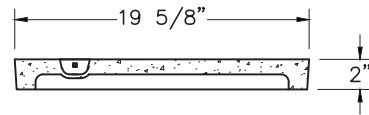
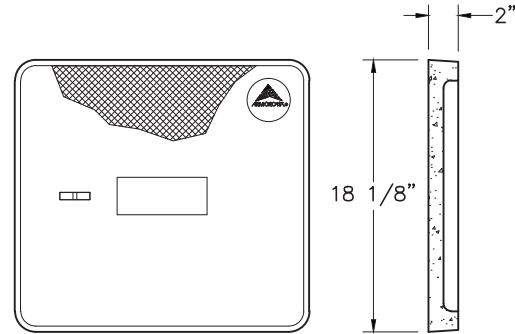
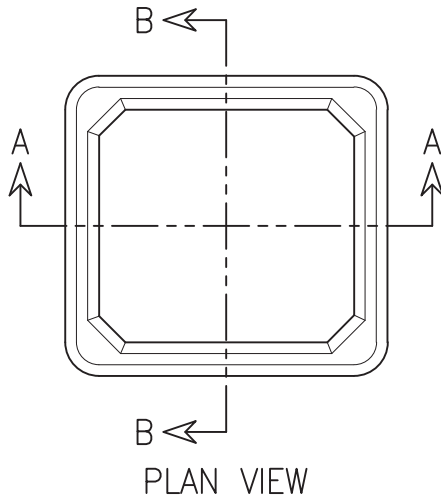
ARMORCAST PRODUCTS COMPANY

# 20" x 21" BOX ASSEMBLY

## STANDARD DIMENSIONS

POLYMER CONCRETE

A6000490



POLYMER CONCRETE  
BOXES

Armorcast Products Company reserves the right to update or discontinue product information at any time without notice.

[www.armorcastprod.com](http://www.armorcastprod.com)

Tel: (818) 982-3600 Fax: (818) 982-7742

# 24" x 24" BOX ASSEMBLY

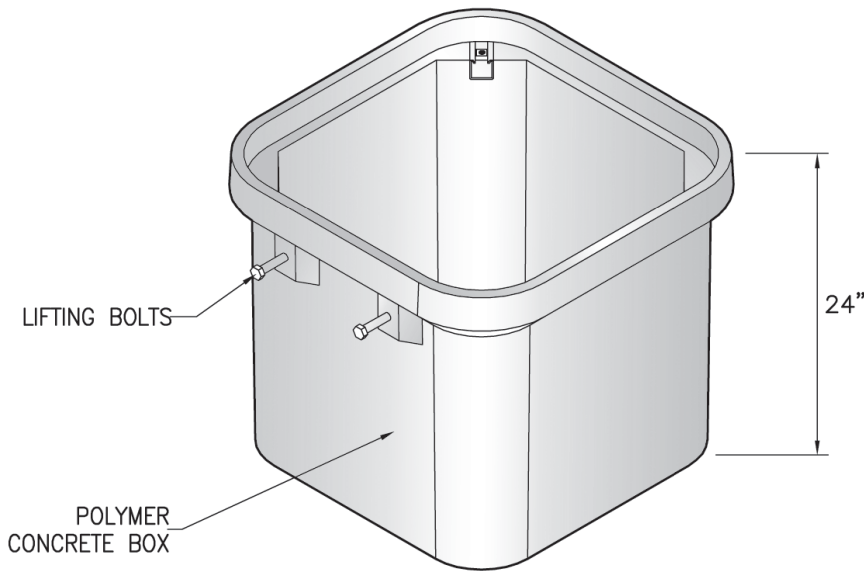
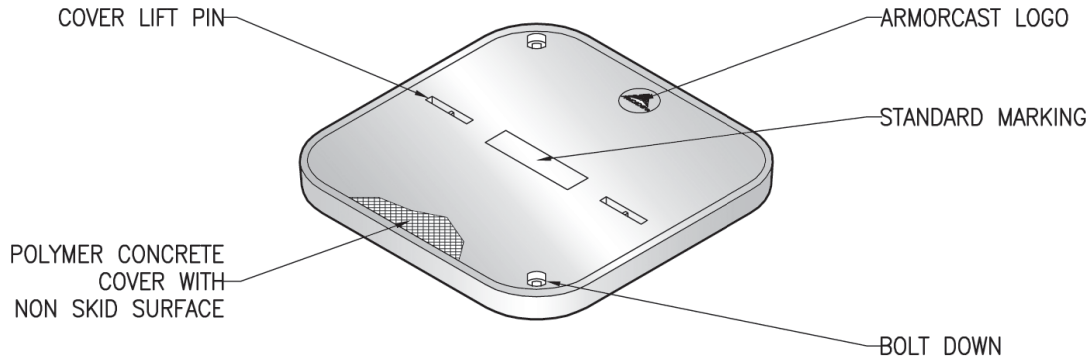
## 24" DEPTH



**POLYMER CONCRETE**

**ARMORCAST PRODUCTS COMPANY**

A6002424



POLYMER CONCRETE BOXES

DESCRIPTION						
Box & Cover Assembly	24" x 24" x 24"	10K	8	A600 2424APCX24	236 lbs.	2
	24" x 24" x 24"	20K	15 / 22	A6002424TAPCX24 / A6002424HDAPCX24	240 lbs.	2

### COMPONENTS

MORE COVER VARIATIONS ARE AVAILABLE IN OUR "COVER SECTION"

DESCRIPTION	NOMINAL SIZE W x L x D	LOAD RATING	ANSI TIER	PART NUMBER	APPROX. WEIGHT	PALLET QTY.
Replacement Covers	24" x 24"	10K	8	A6002424-CVR	71 lbs.	20
	24" x 24"	20K	15 / 22	A6002424T-CVR / A6002424HD-CVR	75 lbs.	20
Replacement Box	24" x 24" x 24"	10K / 20K	22	A6002424PCX24	165 lbs.	2

- Boxes are Open Bottom and Stackable, also available with Solid Bottoms.
- For sizes not shown please contact Armorcast Products for more information.

THIS PRODUCT IS LISTED TO APPLICABLE UL STANDARDS AND REQUIREMENTS BY UL.

[www.armorcastprod.com](http://www.armorcastprod.com)

Tel: (818) 982-3600 Fax: (818) 982-7742





ARMORCAST PRODUCTS COMPANY

# 24" x 24" BOX ASSEMBLY

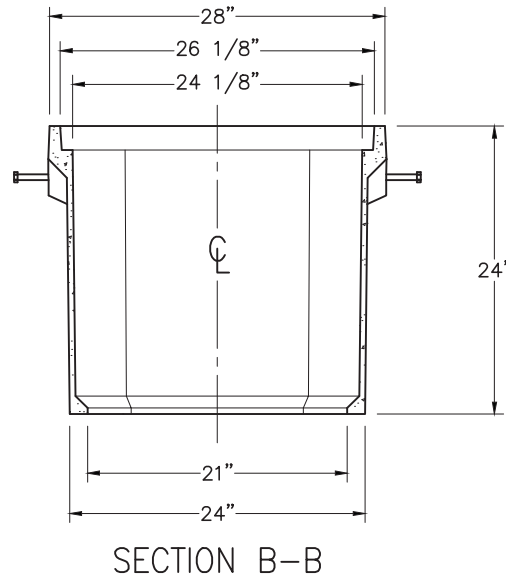
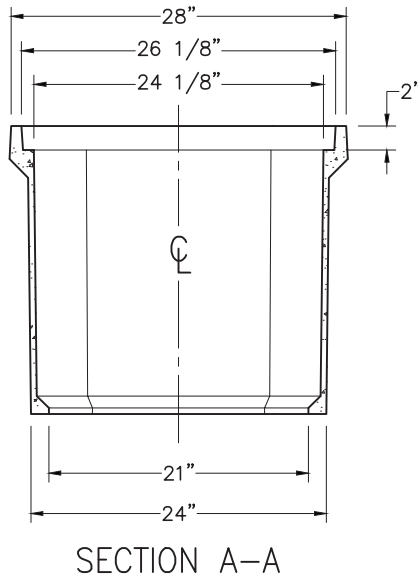
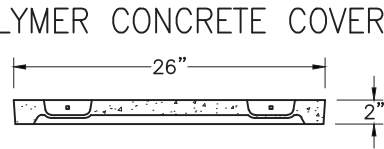
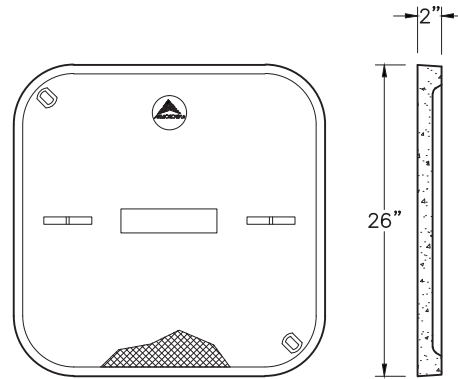
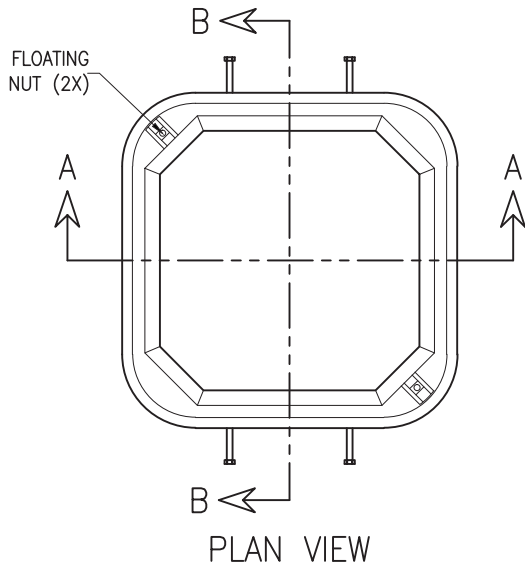
## STANDARD DIMENSIONS

POLYMER CONCRETE

A6002424



FILE #E364252



POLYMER CONCRETE BOXES

Armorcast Products Company reserves the right to update or discontinue product information at any time without notice.

THIS PRODUCT IS LISTED TO APPLICABLE UL STANDARDS AND REQUIREMENTS BY UL.

[www.armorcastprod.com](http://www.armorcastprod.com)

Tel: (818) 982-3600 Fax: (818) 982-7742

# 24" x 36" BOX ASSEMBLY

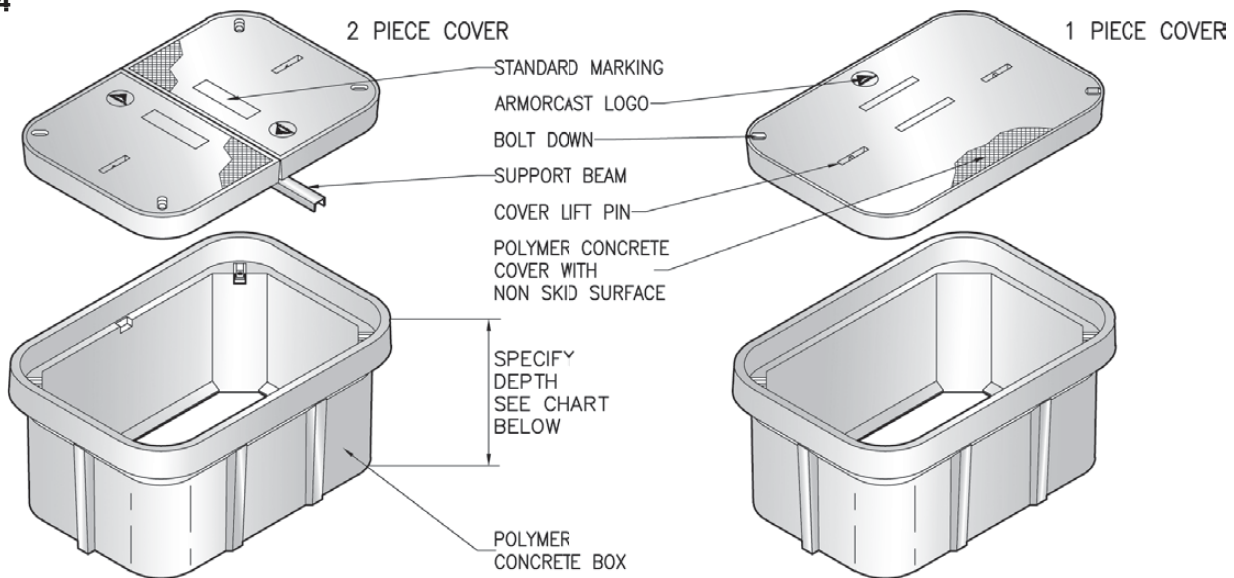
## 12" to 42" DEPTHS



**POLYMER CONCRETE**

**ARMORCAST PRODUCTS COMPANY**

A6001974



### 24"W x 36"L BOX ASSEMBLIES Specify Depth Below

DESCRIPTION	NOMINAL SIZE W x L x D	LOAD RATING	ANSI TIER	PART NUMBER	APPROX. WEIGHT	PALLET QTY.
Box & Cover Assembly	24" x 36" x 12"	10K	8	A6001974APCX12	195 lbs.	8
	24" x 36" x 12"	20K	15 / 22	A6001974TAPCX12 / A6001974HDAPCX12	257 lbs.	8
Box & Cover Assembly	24" x 36" x 18"	10K	8	A6001974APCX18	231 lbs.	4
	24" x 36" x 18"	20K	15 / 22	A6001974TAPCX18 / A6001974HDAPCX18	293 lbs.	4
Box & Cover Assembly	24" x 36" x 24"	10K	8	A6001974APCX24	277 lbs.	2
	24" x 36" x 24"	20K	15 / 22	A6001974TAPCX24 / A6001974HDAPCX24	339 lbs.	2
Box & Cover Assembly	24" x 36" x 30"	10K	8	A6001974APCX30	302 lbs.	2
	24" x 36" x 30"	20K	15 / 22	A6001974TAPCX30 / A6001974HDAPCX30	364 lbs.	2
Box & Cover Assembly	24" x 36" x 36"	10K	8	A6001974APCX36	325 lbs.	2
	24" x 36" x 36"	20K	15 / 22	A6001974TAPCX36 / A6001974HDAPCX36	387 lbs.	2
Box & Cover Assembly	24" x 36" x 42"	10K	8	A6001974APCX42	369 lbs.	2
	24" x 36" x 42"	20K	15 / 22	A6001974TAPCX42 / A6001974HDAPCX42	431 lbs.	2

### COMPONENTS

DESCRIPTION	NOMINAL SIZE W x L x D	LOAD RATING	ANSI TIER	PART NUMBER	APPROX. WEIGHT	PALLET QTY.
Replacement Covers	24" x 36" - 1 pc.	10K	8	A6001975	95 lbs.	20
	24" x 36" - 1 pc.	20K	15 / 22	A6001975T / A6001975HD	157 lbs.	20
Replacement Covers	24" x 36" - 2 pc.	10K	8	A6001978	54 lbs.	20
	24" x 36" - 2 pc.	20K	15 / 22	A6001978T / A6001978HD (2 pc. Req.)	54 lbs.	20
Replacement Boxes	24" x 36" x 12"	10K / 20K	22	A6001974PCX12	100 lbs.	8
	24" x 36" x 18"	10K / 20K	22	A6001974PCX18	136 lbs.	4
	24" x 36" x 24"	10K / 20K	22	A6001974PCX24	182 lbs.	2
	24" x 36" x 30"	10K / 20K	22	A6001974PCX30	207 lbs.	2
	24" x 36" x 36"	10K / 20K	22	A6001974PCX36	230 lbs.	2
	24" x 36" x 42"	10K / 20K	22	A6001974PCX42	274 lbs.	2

- Boxes are Open Bottom and Stackable, also available with Solid Bottoms.
- For sizes not shown please contact Armorcast Products for more information.

THIS PRODUCT IS LISTED TO APPLICABLE UL STANDARDS AND REQUIREMENTS BY UL.

[www.armorcastprod.com](http://www.armorcastprod.com)

Tel: (818) 982-3600 Fax: (818) 982-7742

POLYMER CONCRETE BOXES



ARMORCAST PRODUCTS COMPANY

# 24" x 36" BOX ASSEMBLY

## STANDARD DIMENSIONS

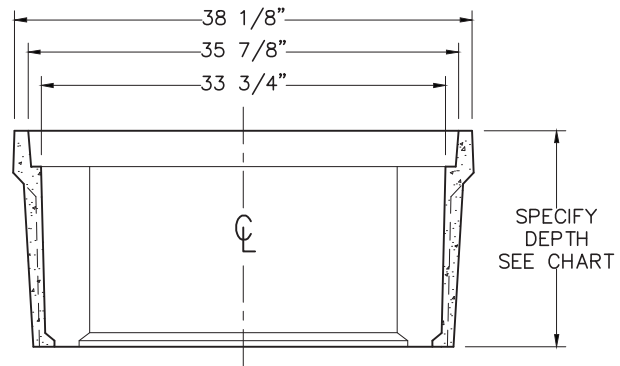
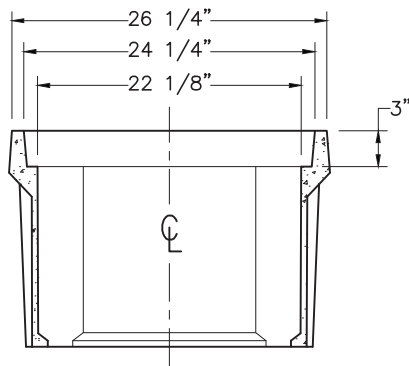
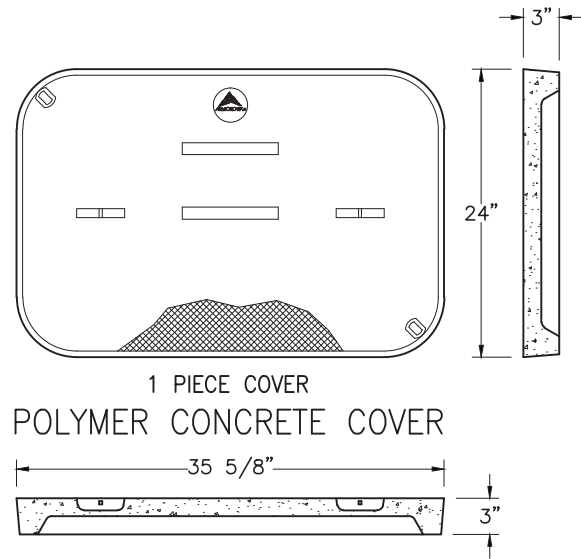
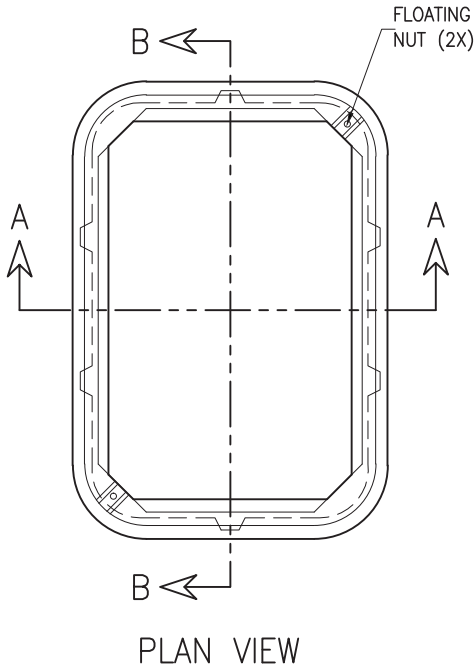
POLYMER CONCRETE

A6001974



LISTED

FILE #E364252



Armorcast Products Company reserves the right to update or discontinue product information at any time without notice.

THIS PRODUCT IS LISTED TO APPLICABLE UL STANDARDS AND REQUIREMENTS BY UL.

[www.armorcastprod.com](http://www.armorcastprod.com)

Tel: (818) 982-3600 Fax: (818) 982-7742

POLYMER CONCRETE  
BOXES

# 30" x 48" BOX ASSEMBLY

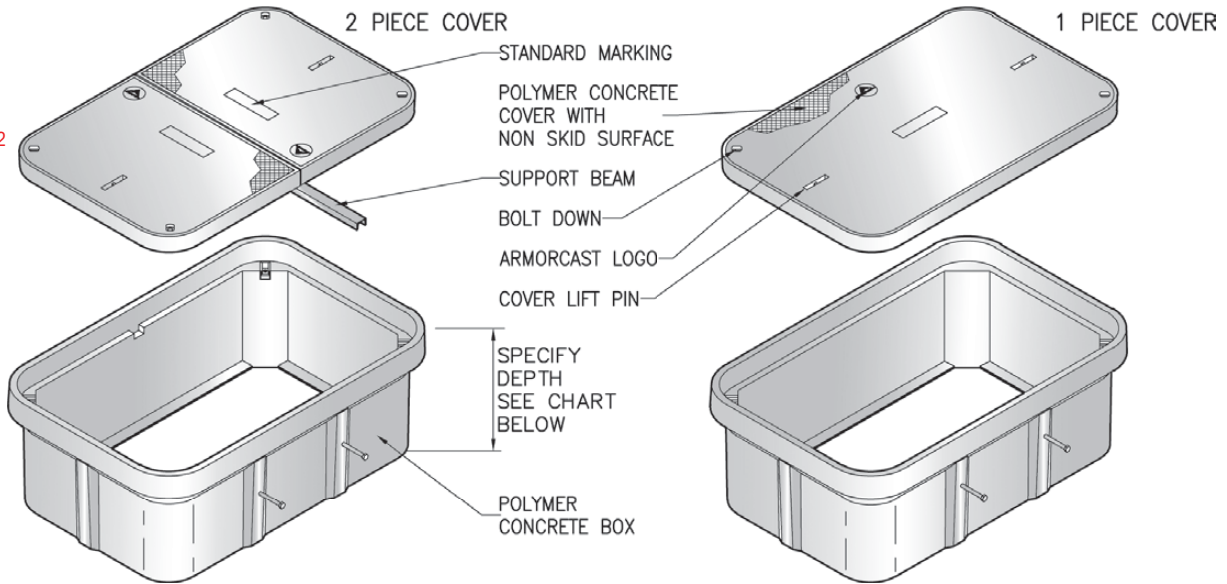
## 12" to 48" DEPTHS



**POLYMER CONCRETE**

**ARMORCAST PRODUCTS COMPANY**

A6001430



### 30"W x 48"L BOX ASSEMBLIES Specify Depth Below

DESCRIPTION	NOMINAL SIZE W x L x D	LOAD RATING	ANSI TIER	PART NUMBER	APPROX. WEIGHT	PALLET QTY.
Box & Cover Assembly	30" x 48" x 12"	10K	8	A6001430APCX12	317 lbs.	5
	30" x 48" x 12"	20K	15 / 22	A6001430TAPCX12 / A6001430HDAPCX12	325 lbs.	5
Box & Cover Assembly	30" x 48" x 18"	10K	8	A6001430APCX18	377 lbs.	2
	30" x 48" x 18"	20K	15 / 22	A6001430TAPCX18 / A6001430HDAPCX18	385 lbs.	2
Box & Cover Assembly	30" x 48" x 24"	10K	8	A6001430APCX24	427 lbs.	3
	30" x 48" x 24"	20K	15 / 22	A6001430TAPCX24 / A6001430HDAPCX24	435 lbs.	3
Box & Cover Assembly	30" x 48" x 30"	10K	8	A6001430APCX30	498 lbs.	3
	30" x 48" x 30"	20K	15 / 22	A6001430TAPCX30 / A6001430HDAPCX30	506 lbs.	3
Box & Cover Assembly	30" x 48" x 36"	10K	8	A6001430APCX36	568 lbs.	1
	30" x 48" x 36"	20K	15 / 22	A6001430TAPCX36 / A6001430HDAPCX36	576 lbs.	1
Box & Cover Assembly	30" x 48" x 48"	10K	8	A6001430APCX48	663 lbs.	1
	30" x 48" x 48"	20K	15 / 22	A6001430TAPCX48 / A6001430HDAPCX48	671 lbs.	1

### COMPONENTS

MORE COVER VARIATIONS ARE AVAILABLE IN OUR "COVER SECTION"

DESCRIPTION	NOMINAL SIZE W x L x D	LOAD RATING	ANSI TIER	PART NUMBER	APPROX. WEIGHT	PALLET QTY.
Replacement Covers	30" x 48" - 1 pc.	10K	8	A6001630	146 lbs.	10
	30" x 48" - 1 pc.	20K	15 / 22	A6001630T / A6001630HD	180 lbs.	10
	30" x 48" - 2 pc.	10K	8	A6001470 (2 pc. Req.)	96 lbs. ea.	20
	30" x 48" - 2 pc.	20K	15 / 22	A6001470T / A6001470HD (2 pc. Req.)	100 lbs. ea.	20
Replacement Boxes	30" x 48" x 12"	10K / 20K	22	A6001430PCX12	137 lbs.	8
	30" x 48" x 18"	10K / 20K	22	A6001430PCX18	189 lbs.	2
	30" x 48" x 24"	10K / 20K	22	A6001430PCX24	265 lbs.	3
	30" x 48" x 30"	10K / 20K	22	A6001430PCX30	300 lbs.	3
	30" x 48" x 36"	10K / 20K	22	A6001430PCX36	371 lbs.	1
	30" x 48" x 48"	10K / 20K	22	A6001430PCX48	468 lbs.	1

- Boxes are Open Bottom and Stackable, also available with Solid Bottoms.
- For sizes not shown please contact Armorcast Products for more information

THIS PRODUCT IS LISTED TO APPLICABLE UL STANDARDS AND REQUIREMENTS BY UL.

[www.armorcastprod.com](http://www.armorcastprod.com)

Tel: (818) 982-3600 Fax: (818) 982-7742

POLYMER CONCRETE BOXES



ARMORCAST PRODUCTS COMPANY

# 30" x 48" BOX ASSEMBLY

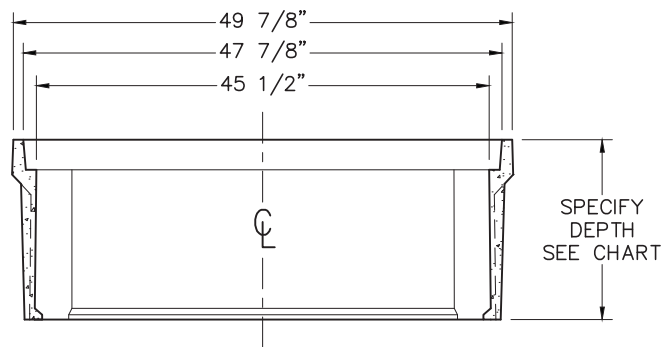
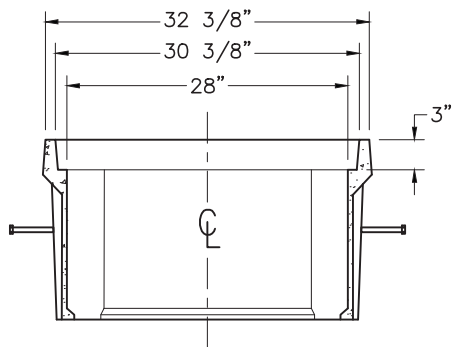
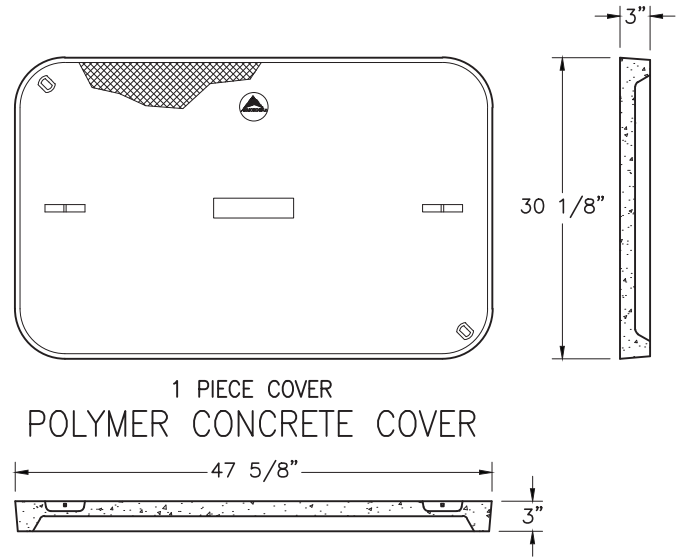
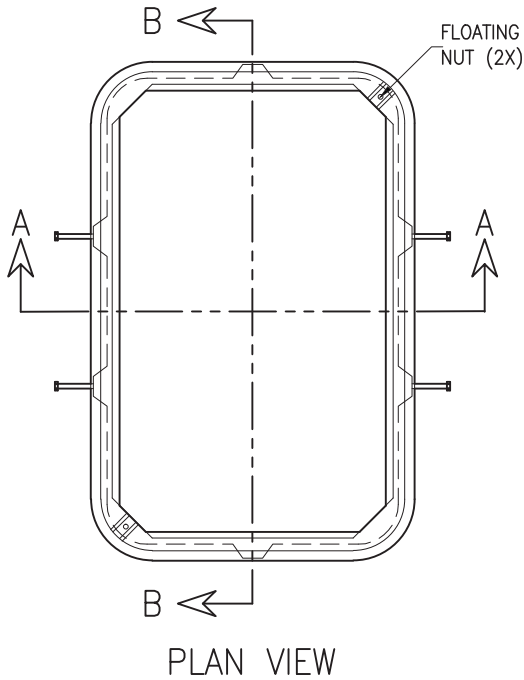
## STANDARD DIMENSIONS

POLYMER CONCRETE

A6001430



LISTED  
FILE #E364252



POLYMER CONCRETE  
BOXES

Armorcast Products Company reserves the right to update or discontinue product information at any time without notice.

THIS PRODUCT IS LISTED TO APPLICABLE UL STANDARDS AND REQUIREMENTS BY UL.

[www.armorcastprod.com](http://www.armorcastprod.com)

Tel: (818) 982-3600 Fax: (818) 982-7742

# POLYMER CONCRETE VAULT & MANHOLE ASSEMBLIES



ARMORCAST PRODUCTS COMPANY

- Standard Vault
- Torsion Vault
- Manhole
- Round Vault



POLYMER CONCRETE  
VAULTS & MANHOLES



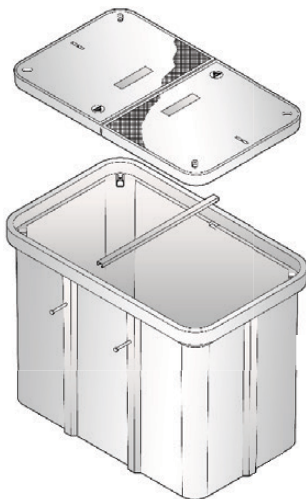
ARMORCAST PRODUCTS COMPANY

# POLYMER CONCRETE VAULT & MANHOLE ASSEMBLIES

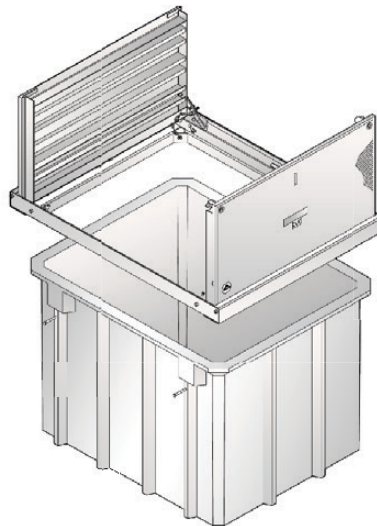
## Polymer Concrete Vault & Manhole Assemblies

The Armorcast Products Company line of Polymer Concrete Vaults and Manholes are designed to provide maximum strength and durability. Lighter weight than traditional concrete, they are easily installed with a backhoe. Superior strength and longevity. Meets all WUC and SCTE / ANSI 77 specifications.

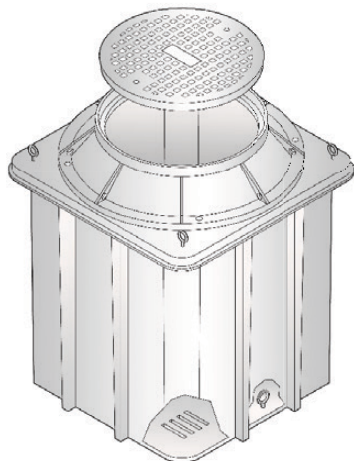
Vaults are available with stationary covers, or Torsion Frame / Cover for ease of opening. Cast Iron Ring and Cover options allow for full H-20 street use.



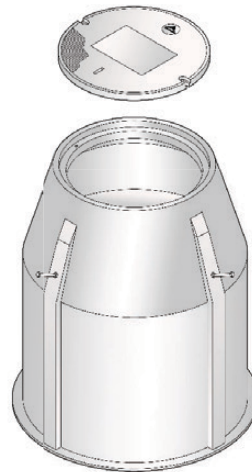
• Standard Vault



• Torsion Vault



• Manhole



• Round Vault

### APPLICATION USE

- Pull Boxes
- Valve Boxes
- Meter Boxes
- Splice Boxes
- Junction Boxes



### OPTIONS

(See Options page for details)

- Mouseholes
- Knock Outs
- Locking Devices
- Terminators
- Racks and Hooks
- Inserts
- Hex or Penta Bolts
- EMS Markers
- AMR / AMI Covers.

### STANDARD or CUSTOM LOGOS

- Electric
- Telephone
- CATV
- Broadband
- Danger High Voltage
- Communication
- Fiber Optics
- Gas
- Water
- Railroad
- Traffic Signal
- Illumination
- Lighting
- Street Lighting



**LISTED**  
FILE #E364252

PRODUCT PAGES MARKED WITH THE UL SYMBOL ARE LISTED BY UNDERWRITERS LABORATORIES FOR ALL DEPTHS.

# 30" x 60" VAULT ASSEMBLY

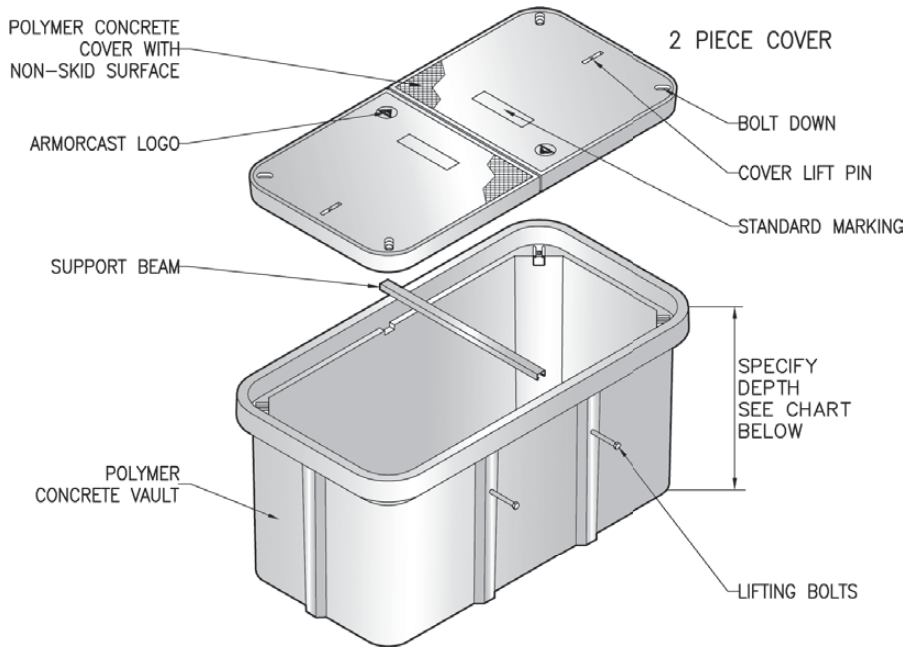
## 12" x 48" DEPTHS



**POLYMER CONCRETE**

**ARMORCAST PRODUCTS COMPANY**

A6001460



### 30"W x 60"L VAULT ASSEMBLIES Specify Depth Below

DESCRIPTION	NOMINAL SIZE W x L x D	LOAD RATING	ANSI TIER	PART NUMBER	APPROX. WEIGHT	PALLET QTY.
Vault & Cover Assembly	30" x 60" x 12"	10K	8	A6001460APCX12	480 lbs.	5
	30" x 60" x 12"	20K	15 / 22	A6001460TAPCX12 / A6001460HDAPCX12	480 lbs.	5
Vault & Cover Assembly	30" x 60" x 18"	10K	8	A6001460APCX18	522 lbs.	2
	30" x 60" x 18"	20K	15 / 22	A6001460TAPCX18 / A6001460HDAPCX18	522 lbs.	2
Vault & Cover Assembly	30" x 60" x 24"	10K	8	A6001460APCX24	572 lbs.	3
	30" x 60" x 24"	20K	15 / 22	A6001460TAPCX24 / A6001460HDAPCX24	572 lbs.	3
Vault & Cover Assembly	30" x 60" x 30"	10K	8	A6001460APCX30	615 lbs.	3
	30" x 60" x 30"	20K	15 / 22	A6001460TAPCX30 / A6001460HDAPCX30	615 lbs.	3
Vault & Cover Assembly	30" x 60" x 36"	10K	8	A6001460APCX36	680 lbs.	1
	30" x 60" x 36"	20K	15 / 22	A6001460TAPCX36 / A6001460HDAPCX36	680 lbs.	1
Vault & Cover Assembly	30" x 60" x 48"	10K	8	A6001460APCX48	756 lbs.	1
	30" x 60" x 48"	20K	15 / 22	A6001460TAPCX48 / A6001460HDAPCX48	756 lbs.	1

### COMPONENTS

DESCRIPTION	NOMINAL SIZE W x L x D	LOAD RATING	ANSI TIER	PART NUMBER	APPROX. WEIGHT	PALLET QTY.
Replacement Covers	30" x 60" - 2 pc.	10K	8	A6001456 (2 pc. Req.)	128 lbs. ea.	20
	30" x 60" - 2 pc.	20K	15 / 22	A6001456T / A6001456HD (2 pc. Req.)	128 lbs. ea.	20
Replacement Vaults	30" x 60" x 12"	10K / 20K	22	A6001460PCX12	220 lbs.	5
	30" x 60" x 18"	10K / 20K	22	A6001460PCX18	265 lbs.	2
	30" x 60" x 24"	10K / 20K	22	A6001460PCX24	315 lbs.	2
	30" x 60" x 30"	10K / 20K	22	A6001460PCX30	355 lbs.	2
	30" x 60" x 36"	10K / 20K	22	A6001460PCX36	420 lbs.	1
	30" x 60" x 48"	10K / 20K	22	A6001460PCX48	500 lbs.	1

- Vaults are Open Bottom, and Stackable. Also available with Split Base or Solid Bottoms. THIS PRODUCT IS LISTED TO APPLICABLE UL STANDARDS AND REQUIREMENTS BY UL.
- For sizes not shown please contact Armorcast Products for more information

[www.armorcastprod.com](http://www.armorcastprod.com)

Tel: (818) 982-3600 Fax: (818) 982-7742

POLYMER CONCRETE VAULTS & MANHOLES





ARMORCAST PRODUCTS COMPANY

# 30" x 60" VAULT ASSEMBLY

## STANDARD DIMENSIONS

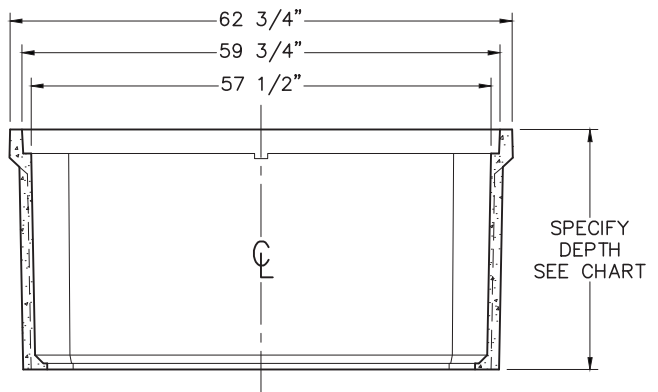
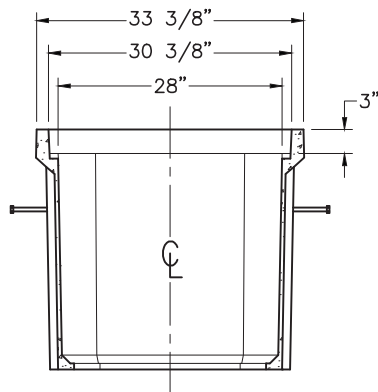
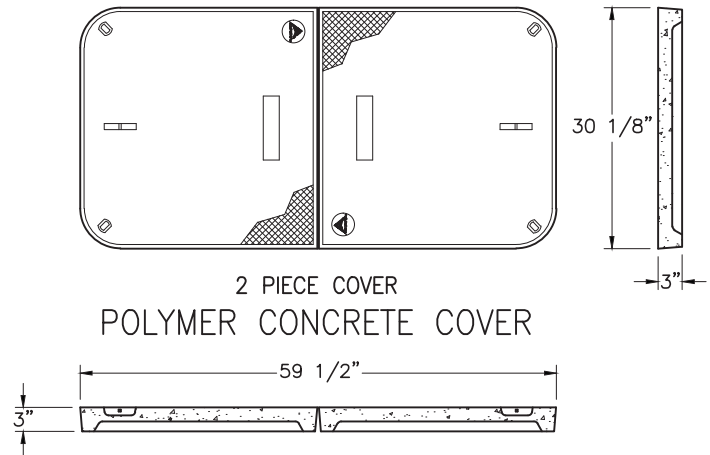
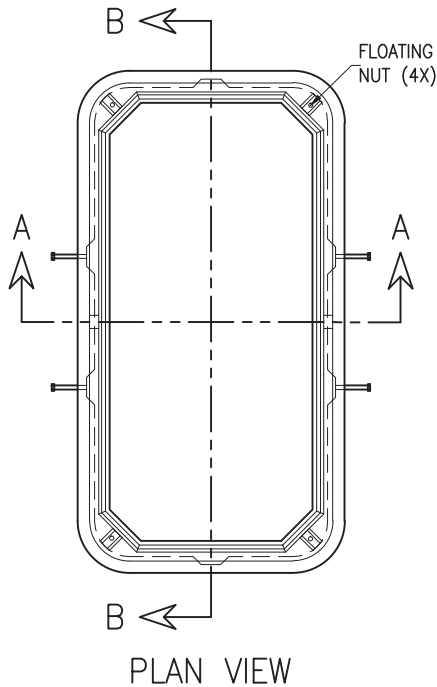
POLYMER CONCRETE

A6001460



LISTED

FILE #E364252



POLYMER CONCRETE  
VAULTS & MANHOLE

Armorcast Products Company reserves the right to update or discontinue product information at any time without notice.

THIS PRODUCT IS LISTED TO APPLICABLE UL STANDARDS AND REQUIREMENTS BY UL.

[www.armorcastprod.com](http://www.armorcastprod.com)

Tel: (818) 982-3600 Fax: (818) 982-7742

# 36" x 36" VAULT ASSEMBLY

## 36" DEPTH



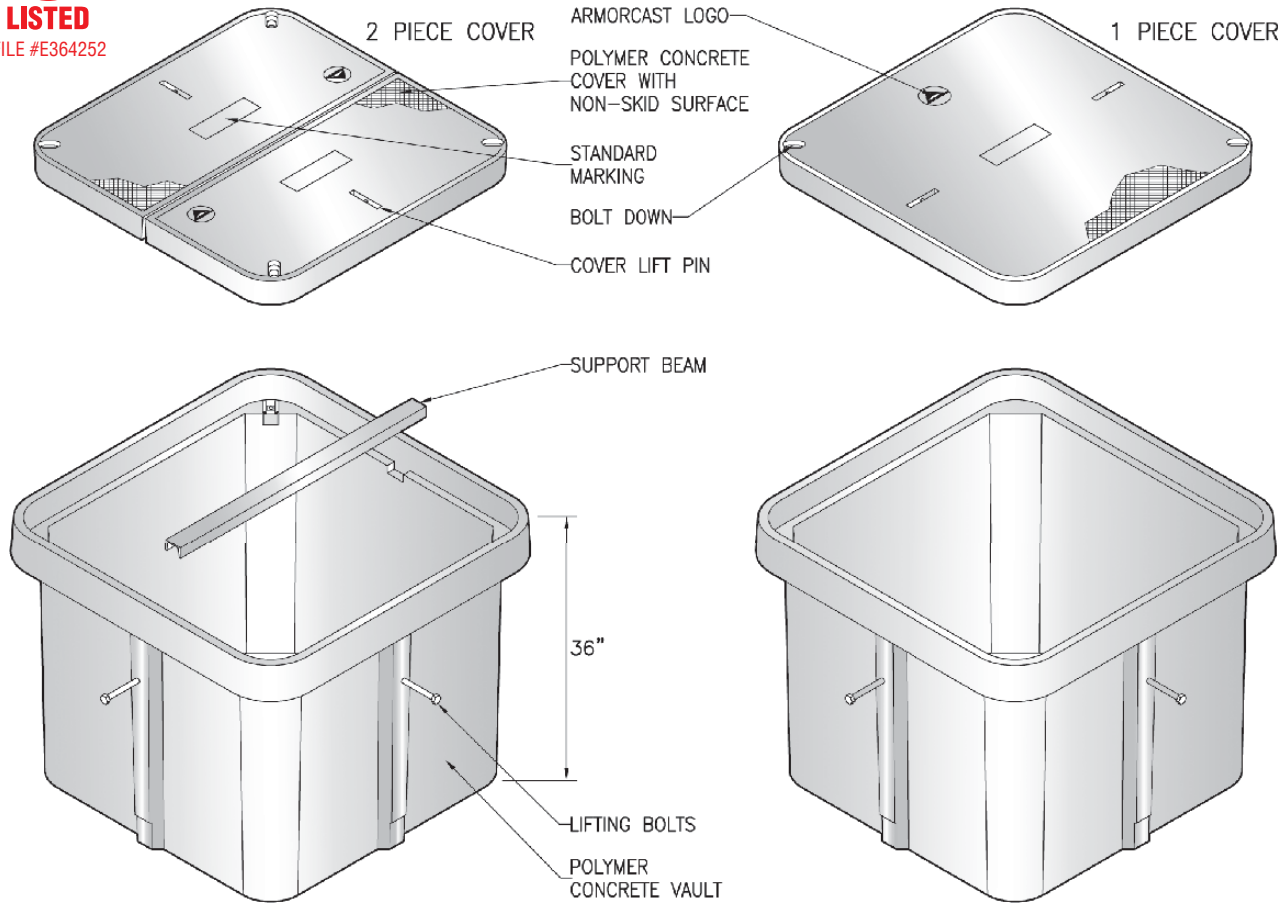
**POLYMER CONCRETE**

**ARMORCAST PRODUCTS COMPANY**

A6001441



**LISTED**  
FILE #E364252



### 36"W x 36"L BOX ASSEMBLIES

DESCRIPTION	NOMINAL SIZE W x L x D	LOAD RATING	ANSI TIER	PART NUMBER	APPROX. WEIGHT	PALLET QTY.
Box & Cover Assembly	36" x 36" x 36"	10K	8	A6001441APCX36	510 lbs.	1
	36" x 36" x 36"	20K	15 / 22	A6001441TAPCX36 / A6001441HDAPCX36	510 lbs.	1

### COMPONANTS

DESCRIPTION	NOMINAL SIZE W x L x D	LOAD RATING	ANSI TIER	PART NUMBER	APPROX. WEIGHT	PALLET QTY.
Replacement Covers	36" x 36"	10K	8	A6003636-CVR	202 lbs.	10
	36" x 36"	20K	15 / 22	A6003636T-CVR / A6003636HD-CVR	202 lbs.	10
Replacement Covers	36" x 36" - 2 pc.	10K	8	A6001443 (2-pc. Req.)	108 lbs. ea.	20
	36" x 36" - 2 pc.	20K	15 / 22	A6001443T / A6001443HD (2-pc. Req.)	108 lbs. ea.	20
Replacement Box	36" x 36" x 36"	10K / 20	22	A6001441PCX36	306 lbs.	1

- Boxes are Open Bottom and Stackable, also available with Solid Bottoms.
- For sizes not shown please contact Armorcast Products for more information

THIS PRODUCT IS LISTED TO APPLICABLE UL STANDARDS AND REQUIREMENTS BY UL.

[www.armorcastprod.com](http://www.armorcastprod.com)

Tel: (818) 982-3600 Fax: (818) 982-7742



ARMORCAST PRODUCTS COMPANY

# 36" x 36" VAULT ASSEMBLY

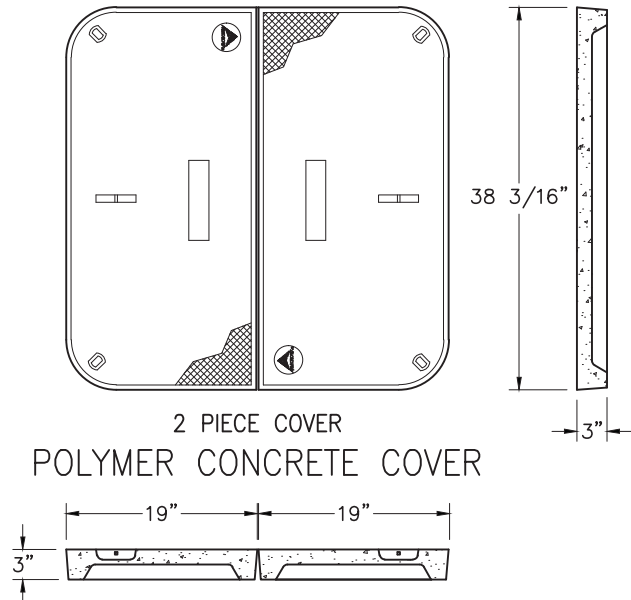
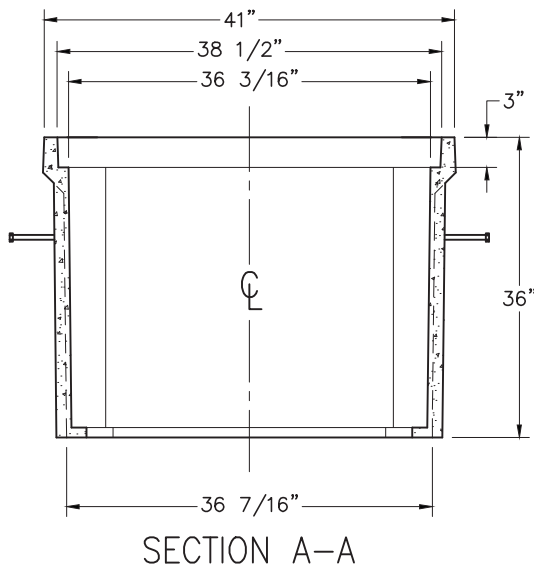
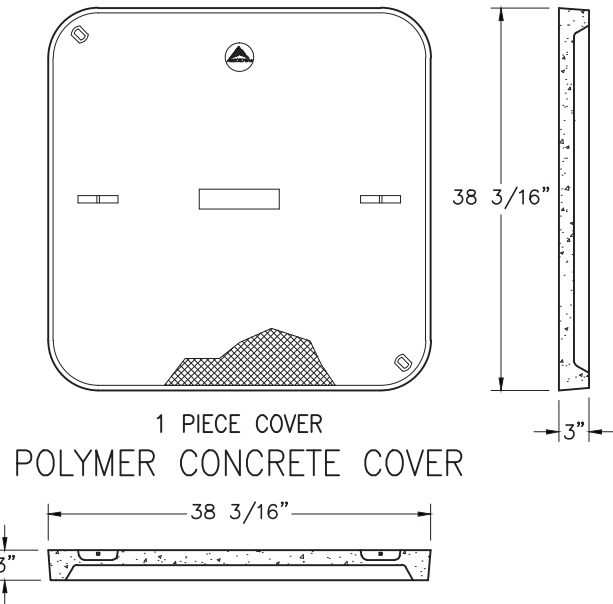
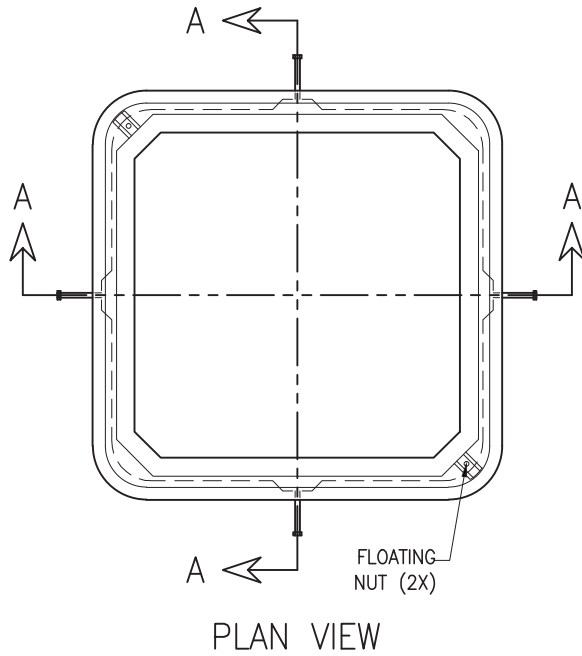
## STANDARD DIMENSIONS

POLYMER CONCRETE

A6001441



FILE #E364252



POLYMER CONCRETE  
VAULTS & MANHOLES

Armorcast Products Company reserves the right to update or discontinue product information at any time without notice.

THIS PRODUCT IS LISTED TO APPLICABLE UL STANDARDS AND REQUIREMENTS BY UL.

[www.armorcastprod.com](http://www.armorcastprod.com)

Tel: (818) 982-3600 Fax: (818) 982-7742

# 36" x 60" VAULT ASSEMBLY

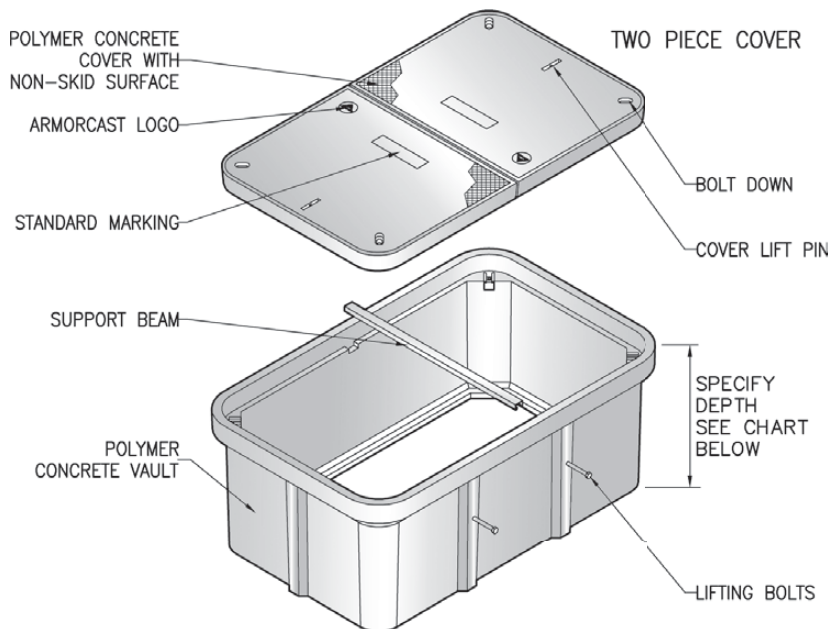
## 12" to 48" DEPTHS



**POLYMER CONCRETE**

**ARMORCAST PRODUCTS COMPANY**

A6001436



### 36"W x 60"L VAULT ASSEMBLIES Specify Depth Below

DESCRIPTION	NOMINAL SIZE W x L x D	LOAD RATING	ANSI TIER	PART NUMBER	APPROX. WEIGHT	PALLET QTY.
Vault & Cover Assembly	36" x 60" x 12"	10K	8	A6001436APCX12	499 lbs.	5
	36" x 60" x 12"	20K	15 / 22	A6001436TAPCX12 / A6001436HDAPCX12	499 lbs.	5
Vault & Cover Assembly	36" x 60" x 18"	10K	8	A6001436APCX18	560 lbs.	2
	36" x 60" x 18"	20K	15 / 22	A6001436TAPCX18 / A6001436HDAPCX18	560 lbs.	2
Vault & Cover Assembly	36" x 60" x 24"	10K	8	A6001436APCX24	620 lbs.	3
	36" x 60" x 24"	20K	15 / 22	A6001436TAPCX24 / A6001436HDAPCX24	620 lbs.	3
Vault & Cover Assembly	36" x 60" x 30"	10K	8	A6001436APCX30	680 lbs.	1
	36" x 60" x 30"	20K	15 / 22	A6001436TAPCX30 / A6001436HDAPCX30	680 lbs.	1
Vault & Cover Assembly	36" x 60" x 36"	10K	8	A6001436APCX36	820 lbs.	1
	36" x 60" x 36"	20K	15 / 22	A6001436TAPCX36 / A6001436HDAPCX36	820 lbs.	1
Vault & Cover Assembly	36" x 60" x 48"	10K	8	A6001436APCX48	895 lbs.	1
	36" x 60" x 48"	20K	15 / 22	A6001436TAPCX48 / A6001436HDAPCX48	895 lbs.	1

### COMPONENTS

DESCRIPTION	NOMINAL SIZE W x L x D	LOAD RATING	ANSI TIER	PART NUMBER	APPROX. WEIGHT	PALLET QTY.
Replacement Covers	36" x 60" - 2 pc.	10K	8	A6001457 (2 pc. Req.)	147 lbs.	20
	36" x 60" - 2 pc.	20K	15 / 22	A6001457T / A6001457HD (2 pc. Req.)	147 lbs.	20
Replacement Vaults	36" x 60" x 12"	10K / 20K	22	A6001436PCX12	205 lbs.	5
	36" x 60" x 18"	10K / 20K	22	A6001436PCX18	265 lbs.	2
	36" x 60" x 24"	10K / 20K	22	A6001436PCX24	325 lbs.	2
	36" x 60" x 30"	10K / 20K	22	A6001436PCX30	385 lbs.	1
	36" x 60" x 36"	10K / 20K	22	A6001436PCX36	525 lbs.	1
	36" x 60" x 48"	10K / 20K	22	A6001436PCX48	600 lbs.	1
Extension	36" x 60" x 6"	10K / 20K	22	A6001436PCX6	167 lbs.	5

- Vaults are Open Bottom, and Stackable. Also available with Split Base or Solid Bottoms
- For sizes not shown please contact Armorcast Products for more information

THIS PRODUCT IS LISTED TO APPLICABLE UL STANDARDS AND REQUIREMENTS BY UL.

[www.armorcastprod.com](http://www.armorcastprod.com)

Tel: (818) 982-3600 Fax: (818) 982-7742



ARMORCAST PRODUCTS COMPANY

# 36" x 60" VAULT ASSEMBLY

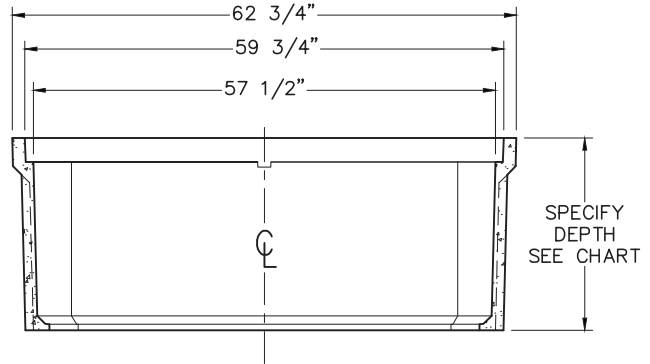
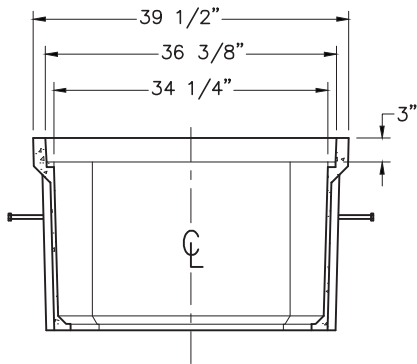
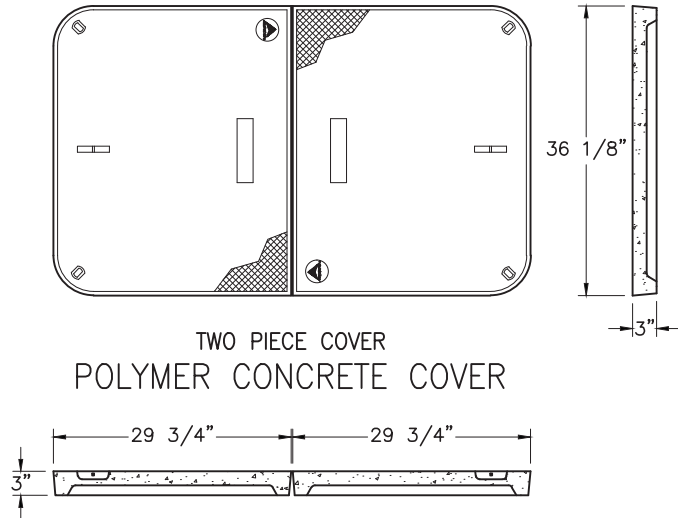
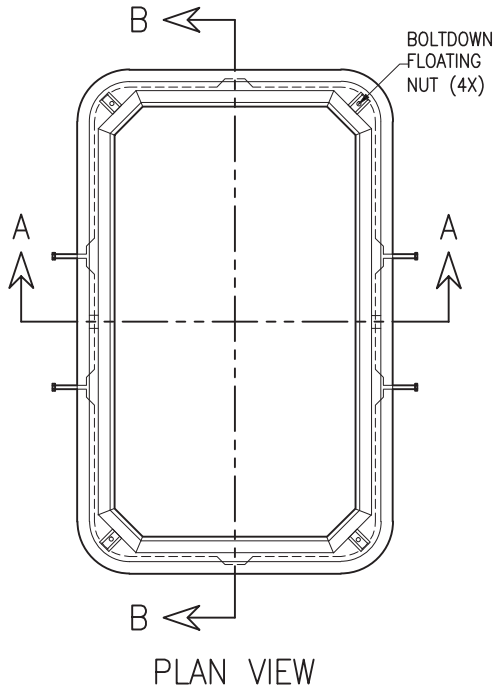
## STANDARD DIMENSIONS

POLYMER CONCRETE

A6001436



FILE #E364252



POLYMER CONCRETE  
VAULTS & MANHOLE

Armorcast Products Company reserves the right to update or discontinue product information at any time without notice.

THIS PRODUCT IS LISTED TO APPLICABLE UL STANDARDS AND REQUIREMENTS BY UL.

[www.armorcastprod.com](http://www.armorcastprod.com)

Tel: (818) 982-3600 Fax: (818) 982-7742

# 36" x 60" VAULT ASSEMBLY

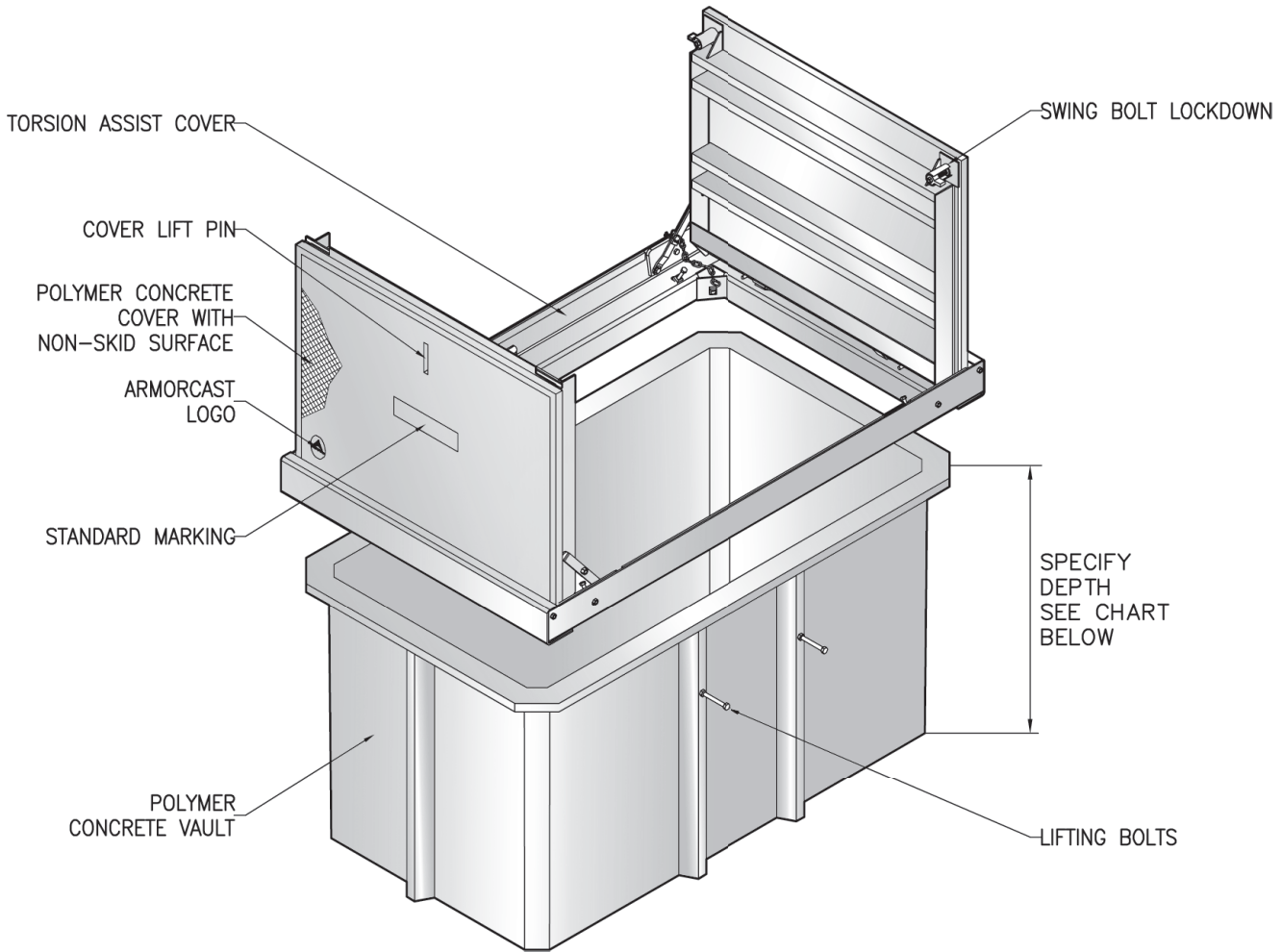
## TORSION ASSIST 24" to 48" DEPTHS



**POLYMER CONCRETE**

**ARMORCAST PRODUCTS COMPANY**

A6001833MT



POLYMER CONCRETE VAULTS & MANHOLES

### 36"W x 60"L VAULT ASSEMBLIES / TORSION ASSIST COVER Specify Depth Below

DESCRIPTION	NOMINAL SIZE W x L x D	LOAD RATING	ANSI TIER	PART NUMBER	APPROX. WEIGHT	PALLET QTY.
Vault & Cover Assembly	36" x 60" x 24"	20K	15 / 22	A6001833TAX24MT / A6001833HDAX24MT	870 lbs.	1
	36" x 60" x 36"	20K	15 / 22	A6001833TAX36MT / A6001833HDAX36MT	990 lbs.	1
	36" x 60" x 48"	20K	15 / 22	A6001833TAX48MT / A6001833HDAX48MT	1100 lbs.	1

- Vaults are Open Bottom, also available with Split Base or Solid Bottoms.
- For sizes not shown please contact Armorcast Products for more information.

[www.armorcastprod.com](http://www.armorcastprod.com)

Tel: (818) 982-3600 Fax: (818) 982-7742



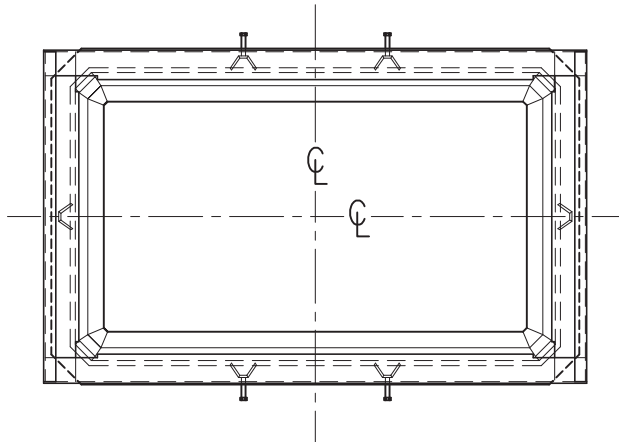
# 36" x 60" VAULT ASSEMBLY

## STANDARD DIMENSIONS / TORSION ASSIST

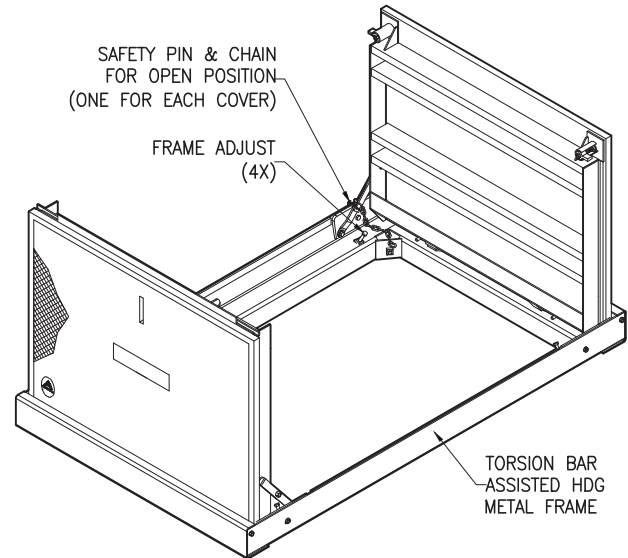
ARMORCAST PRODUCTS COMPANY

POLYMER CONCRETE

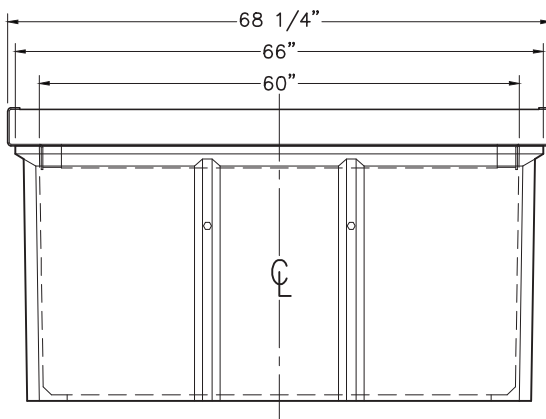
A6001833MT



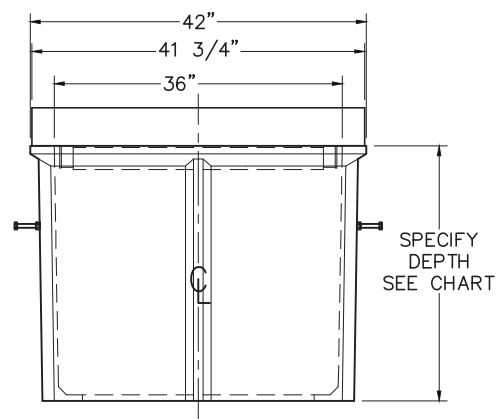
TOP VIEW



TORSION ASSIST COVER



SIDE VIEW



END VIEW

POLYMER CONCRETE  
VAULTS & MANHOLE

Armorcast Products Company reserves the right to update or discontinue product information at any time without notice.

[www.armorcastprod.com](http://www.armorcastprod.com)

Tel: (818) 982-3600 Fax: (818) 982-7742

# 36" x 60" MANHOLE ASSEMBLY

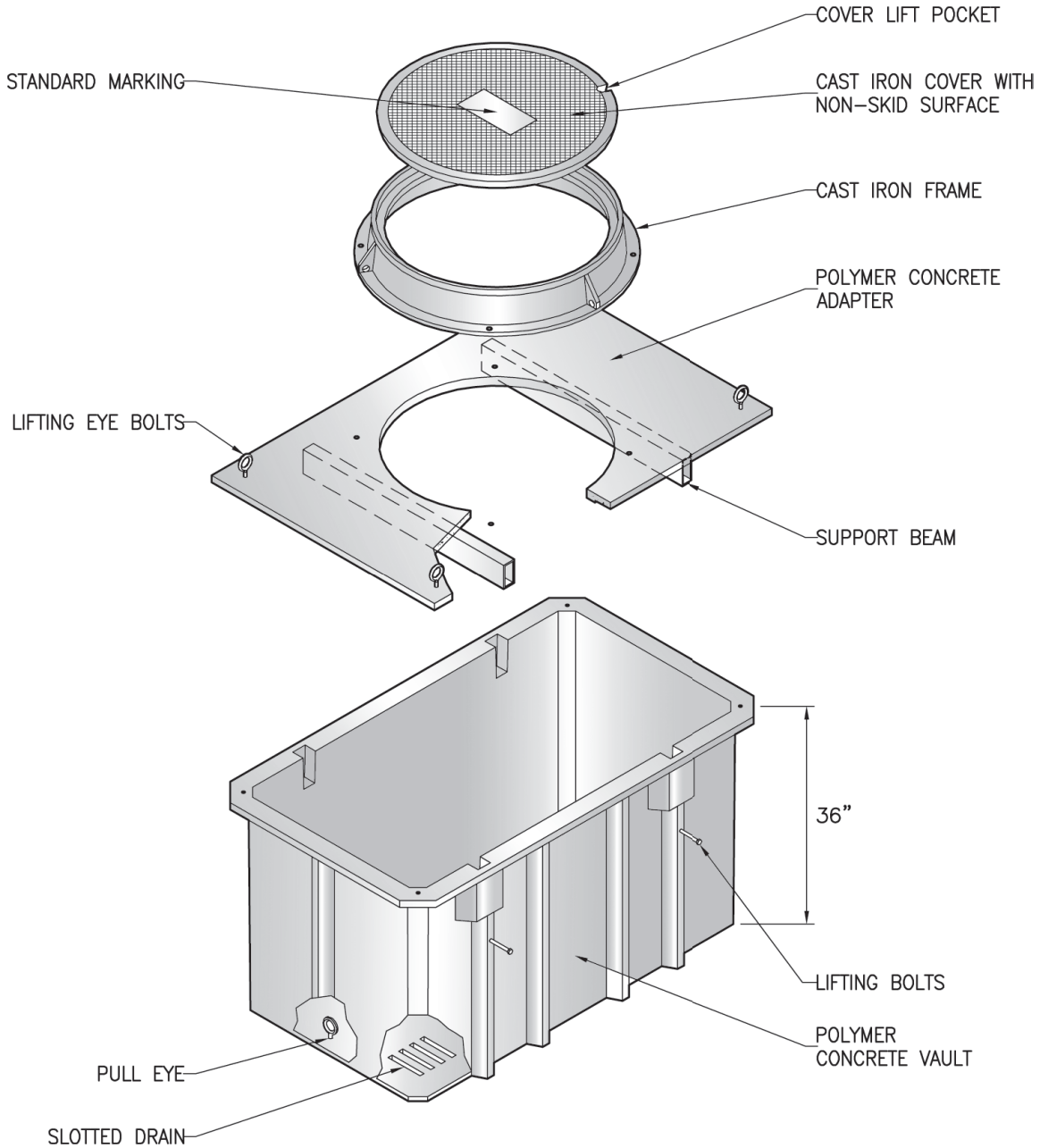
## 36" DEPTH



**POLYMER CONCRETE**

**ARMORCAST PRODUCTS COMPANY**

A6001833H



POLYMER CONCRETE VAULTS & MANHOLES

### 36"W x 60"L MANHOLE ASSEMBLIES Specify Depth Below

DESCRIPTION	NOMINAL SIZE W x L x D	LOAD RATING	ANSI TIER	PART NUMBER	APPROX. WEIGHT	PALLET QTY.
Manhole & Cover Assembly	36" x 60" x 36"	H20	-	A6001833HTAX36B	1275 lbs.	1

- Solid Bottom and includes Cast Iron Ring & Cover
- For sizes not shown please contact Armorcast Products for more information.





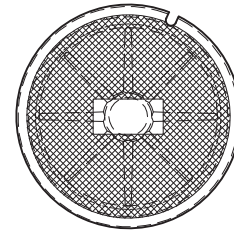
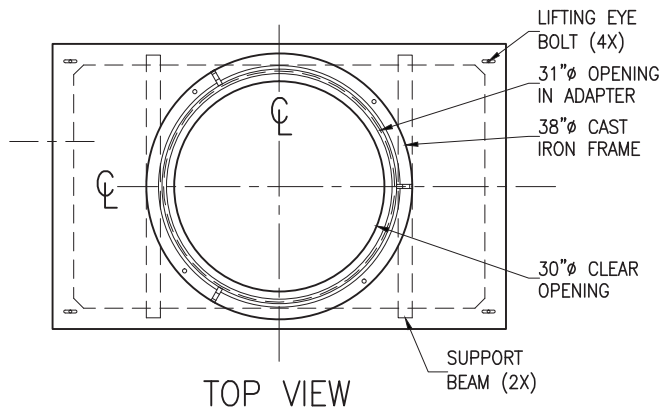
# 36" x 60" MANHOLE ASSEMBLY

## STANDARD DIMENSIONS

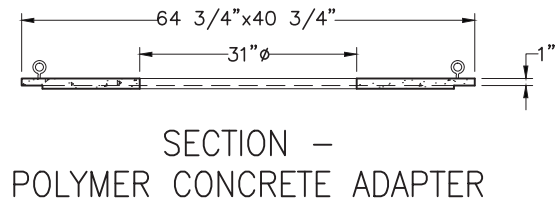
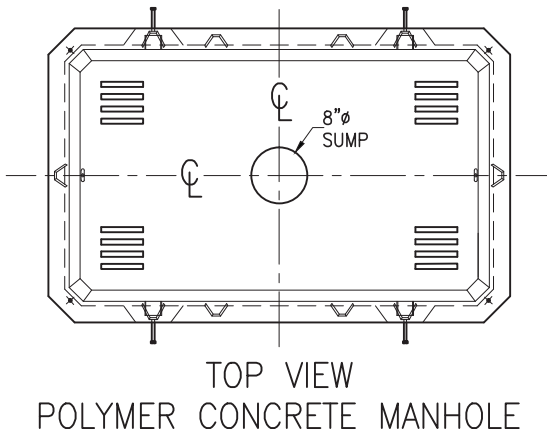
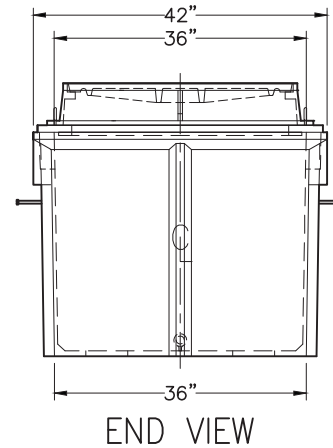
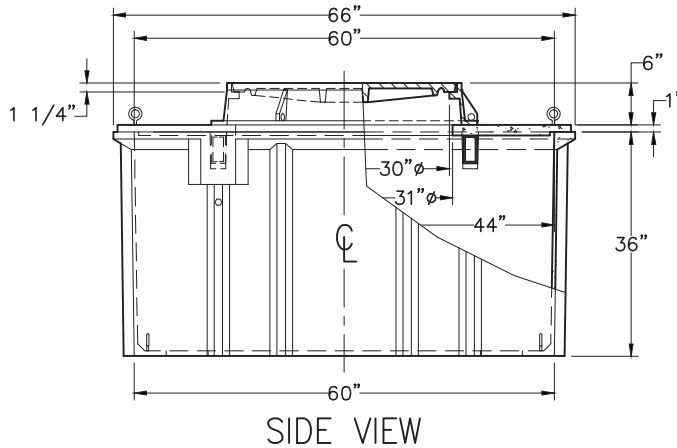
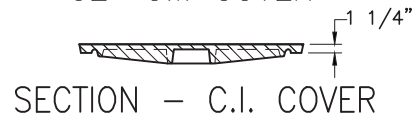
ARMORCAST PRODUCTS COMPANY

POLYMER CONCRETE

A6001833H



TOP VIEW  
32" C.I. COVER



Armorcast Products Company reserves the right to update or discontinue product information at any time without notice.

[www.armorcastprod.com](http://www.armorcastprod.com)

Tel: (818) 982-3600 Fax: (818) 982-7742

POLYMER CONCRETE  
VAULTS & MANHOLE

# 48" x 48" VAULT ASSEMBLY

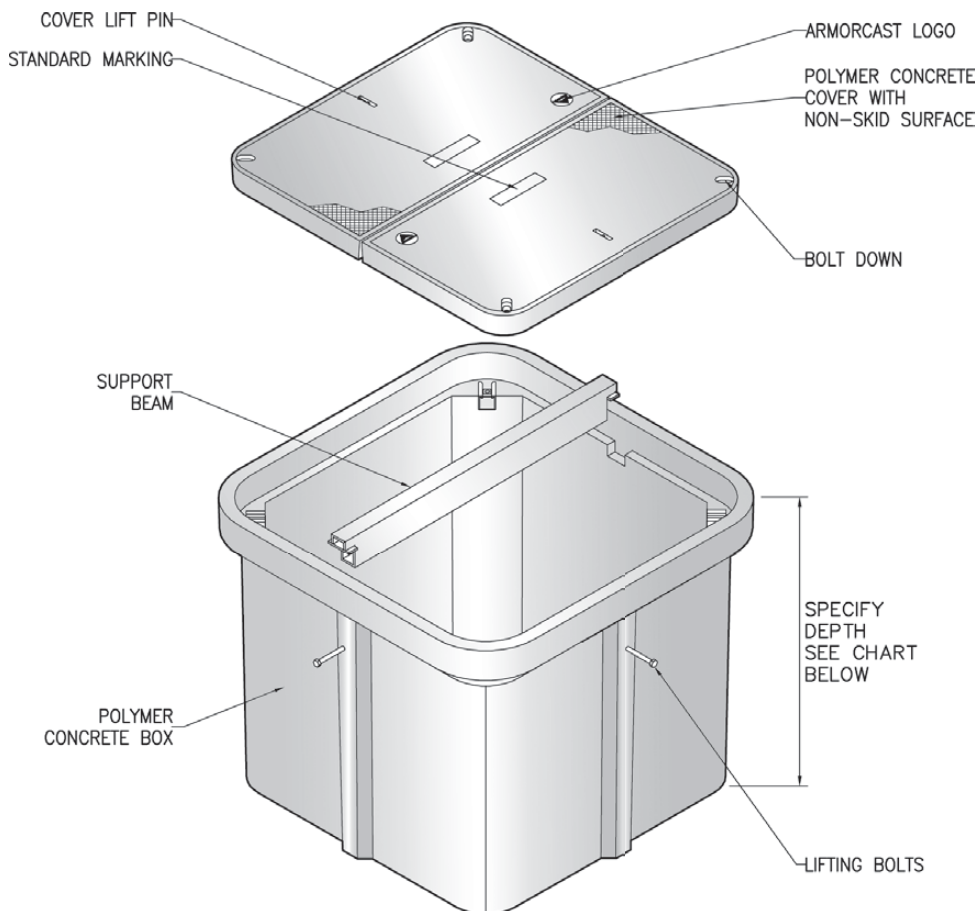
## 36" & 48" DEPTHS



**POLYMER CONCRETE**

**ARMORCAST PRODUCTS COMPANY**

A6001433



### 48"W x 48"L VAULT ASSEMBLIES Specify Depth Below

DESCRIPTION	NOMINAL SIZE W x L x D	LOAD RATING	ANSI TIER	PART NUMBER	APPROX. WEIGHT	PALLET QTY.
Vault & Cover Assembly	48" x 48" x 36"	10K	8	A6001433APCX36	740 lbs.	1
	48" x 48" x 36"	20K	15 / 22	A6001433TAPCX36 / A6001433HDAPCX36	740 lbs.	1
Vault & Cover Assembly	48" x 48" x 48"	10K	8	A6001433APCX48	855 lbs.	1
	48" x 48" x 48"	20K	15 / 22	A6001433TAPCX48 / A6001433HDAPCX48	855 lbs.	1

### COMPONENTS

DESCRIPTION	NOMINAL SIZE W x L x D	LOAD RATING	ANSI TIER	PART NUMBER	APPROX. WEIGHT	PALLET QTY.
Replacement Covers	48" x 48" 2 pc.	10K	8	A6001434	163 lbs.	20
	48" x 48" 2 pc.	20K	15 / 22	A6001434T / A6001434HD	163 lbs.	20
Replacement Boxes	48" x 48" x 36"	10K / 20K	22	A6001433PCX36	415 lbs.	1
	48" x 48" x 48"	10K / 20K	22	A6001433PCX48	525 lbs.	1
Extension	48" x 48" x 6"	10K / 20K	22	A6001433PCX6	180 lbs.	5
Extension	48" x 48" x 9"	10K / 20K	22	A6001433PCX12	300 lbs.	5

- Vaults are Open Bottom, also available with Split Base or Solid Bottoms.
- For sizes not shown please contact Armorcast Products for more information.

THIS PRODUCT IS LISTED TO APPLICABLE UL STANDARDS AND REQUIREMENTS BY UL.

[www.armorcastprod.com](http://www.armorcastprod.com)

Tel: (818) 982-3600 Fax: (818) 982-7742



ARMORCAST PRODUCTS COMPANY

# 48" x 48" VAULT ASSEMBLY

## STANDARD DIMENSIONS

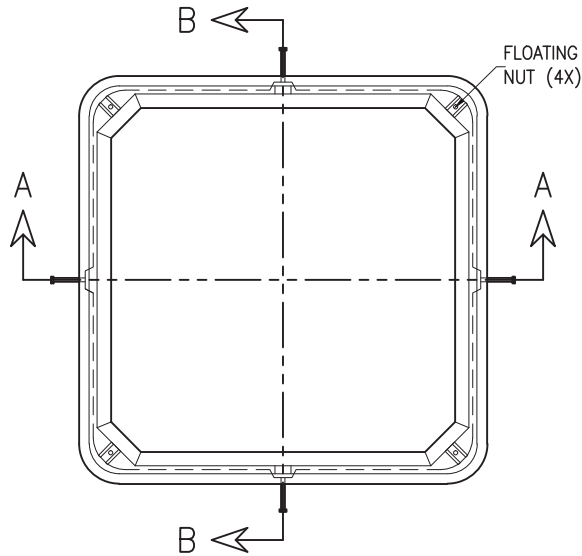
POLYMER CONCRETE

A6001433

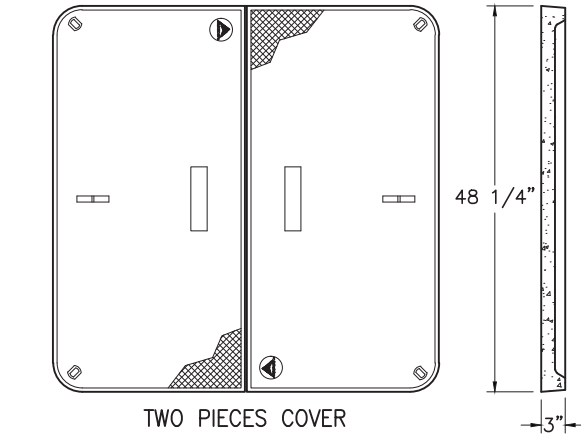


LISTED

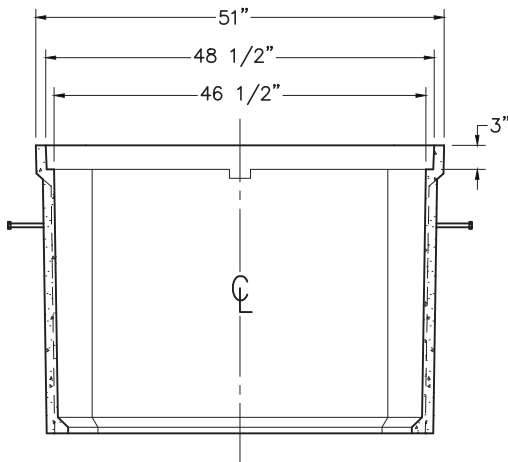
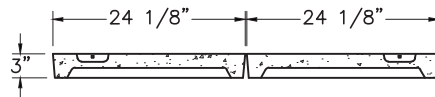
FILE #E364252



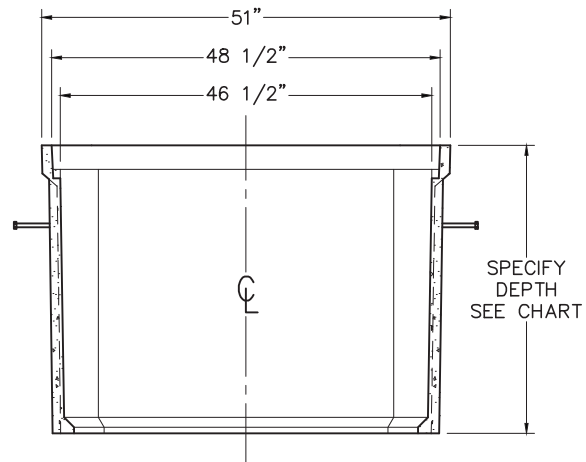
PLAN VIEW



TWO PIECES COVER  
POLYMER CONCRETE COVER



SECTION A-A



SECTION B-B

POLYMER CONCRETE  
VAULTS & MANHOLE

Armorcast Products Company reserves the right to update or discontinue product information at any time without notice.

THIS PRODUCT IS LISTED TO APPLICABLE UL STANDARDS AND REQUIREMENTS BY UL.

[www.armorcastprod.com](http://www.armorcastprod.com)

Tel: (818) 982-3600 Fax: (818) 982-7742

# 48" x 48" VAULT ASSEMBLY

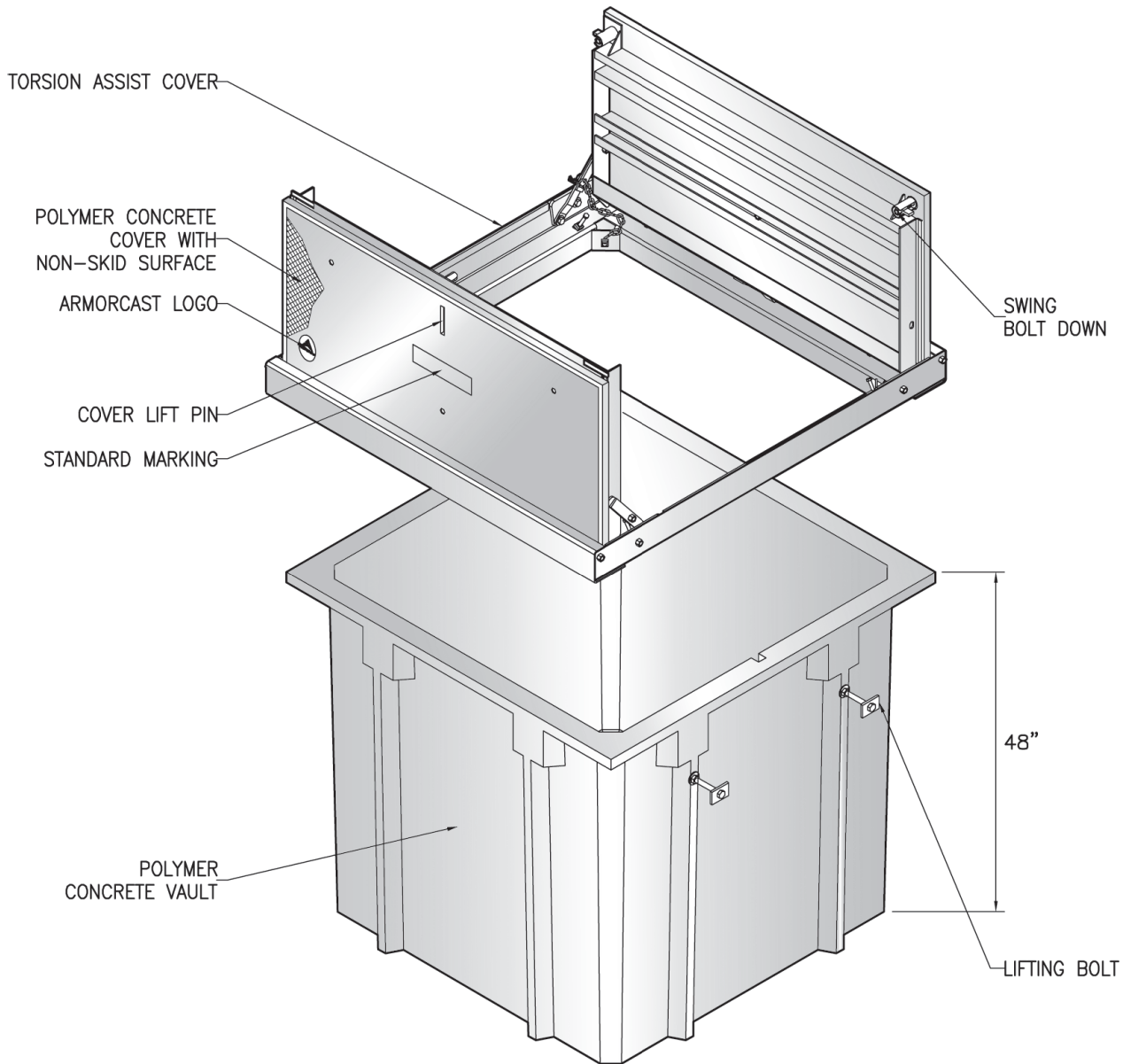
## TORSION ASSIST / 48" DEPTH



**POLYMER CONCRETE**

**ARMORCAST PRODUCTS COMPANY**

A6001440MT



POLYMER CONCRETE VAULTS & MANHOLES

### 48"W x 48"L VAULT ASSEMBLY / TORSION ASSIST COVER Specify Depth Below

DESCRIPTION	NOMINAL SIZE W x L x D	LOAD RATING	ANSI TIER	PART NUMBER	APPROX. WEIGHT	PALLET QTY.
Vault & Cover Assembly	48" x 48" x 48"	20K	15	A6001440TAP48MT	1150 lbs.	1

- Vaults are Open Bottom, also available with Split Base or Solid Bottoms.
- For sizes not shown please contact Armorcast Products for more information.

[www.armorcastprod.com](http://www.armorcastprod.com)

Tel: (818) 982-3600 Fax: (818) 982-7742



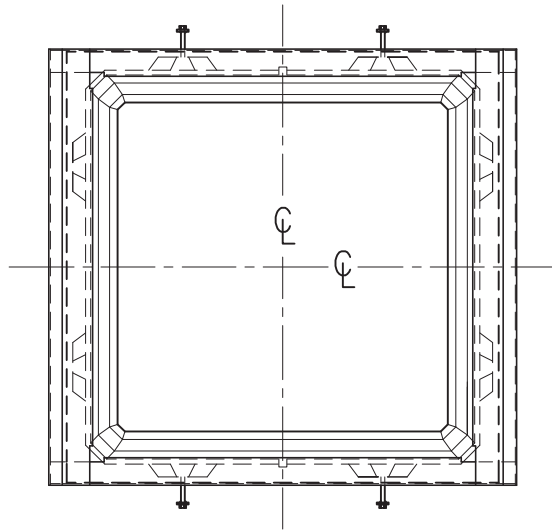
ARMORCAST PRODUCTS COMPANY

# 48" x 48" VAULT ASSEMBLY

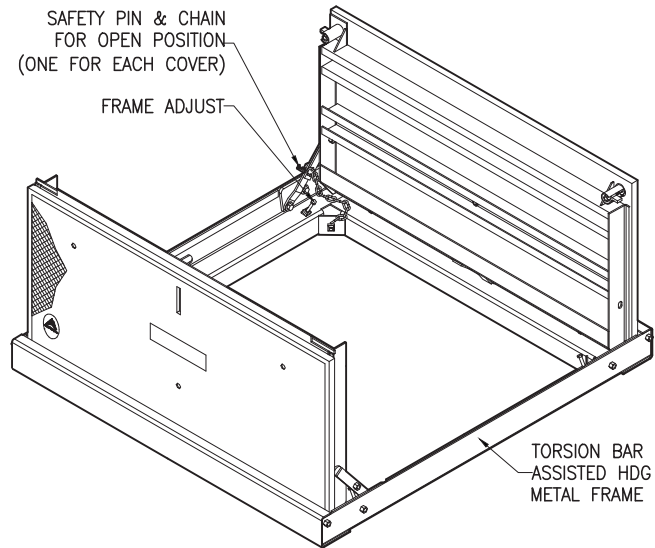
## STANDARD DIMENSIONS / TORSION ASSIST

POLYMER CONCRETE

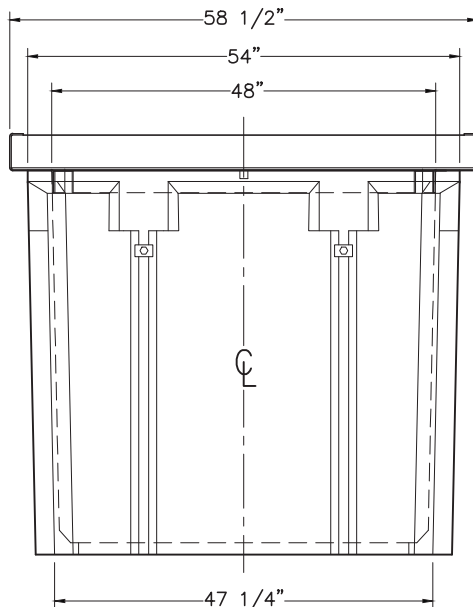
A6001440MT



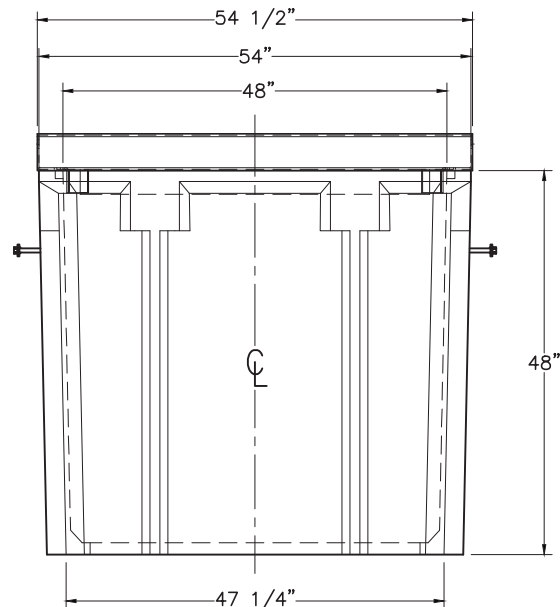
TOP VIEW



TORSION ASSIST COVER



SIDE VIEW



END VIEW

Armorcast Products Company reserves the right to update or discontinue product information at any time without notice.

[www.armorcastprod.com](http://www.armorcastprod.com)

Tel: (818) 982-3600 Fax: (818) 982-7742

POLYMER CONCRETE  
VAULTS & MANHOLE

# 48" x 48" MANHOLE ASSEMBLY

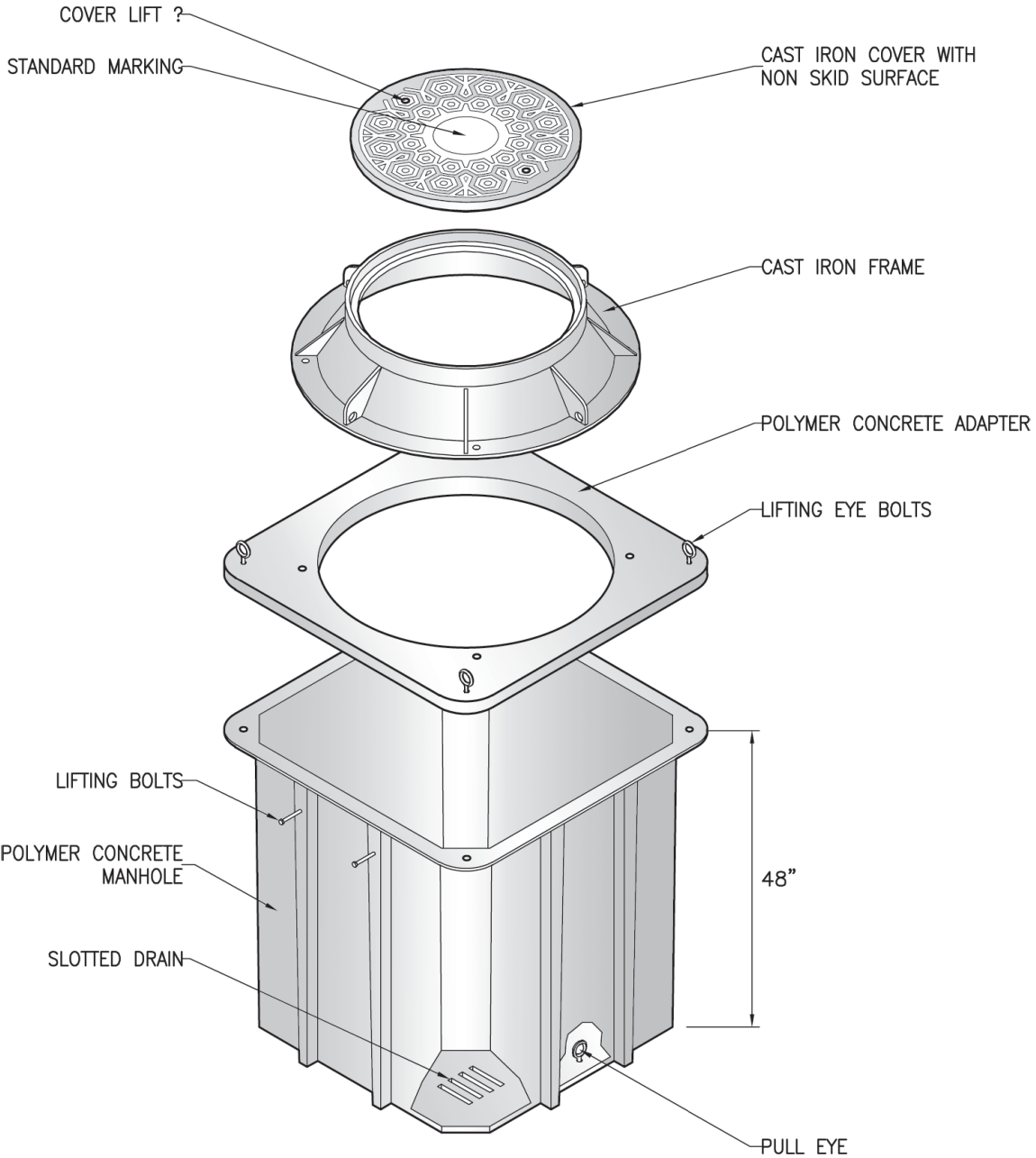
## 48" DEPTH



**POLYMER CONCRETE**

**ARMORCAST PRODUCTS COMPANY**

A6000514H



POLYMER CONCRETE VAULTS & MANHOLES

### 48"W x 48"L MANHOLE ASSEMBLY Specify Depth Below

DESCRIPTION	NOMINAL SIZE W x L x D	LOAD RATING	ANSI TIER	PART NUMBER	APPROX. WEIGHT	PALLET QTY.
Manhole & Cover Assembly	48" x 48" x 48"	H20	-	A6000514HTAP48B	1420 lbs.	1

- Solid Bottom and includes Cast Iron Ring & Cover
- For sizes not shown please contact Armorcast Products for more information.



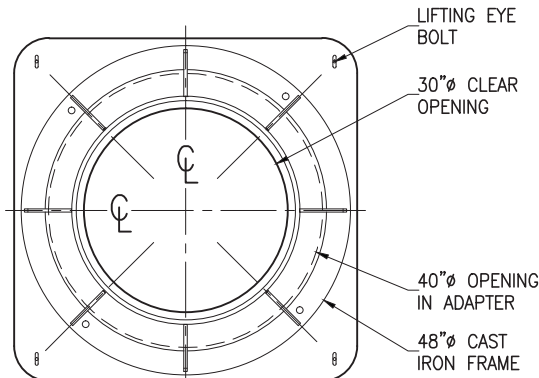
# 48" x 48" MANHOLE ASSEMBLY

## STANDARD DIMENSIONS

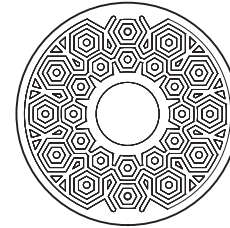
ARMORCAST PRODUCTS COMPANY

POLYMER CONCRETE

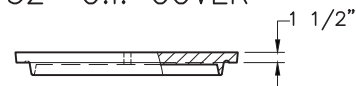
A6000514H



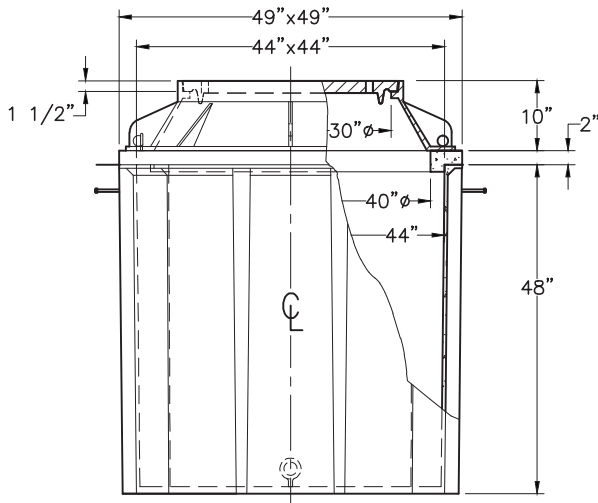
TOP VIEW



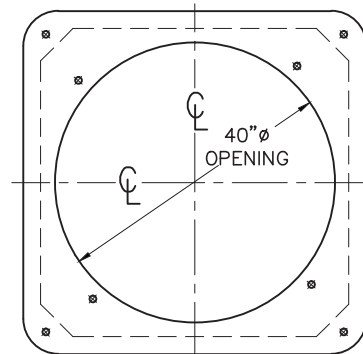
TOP VIEW  
32" C.I. COVER



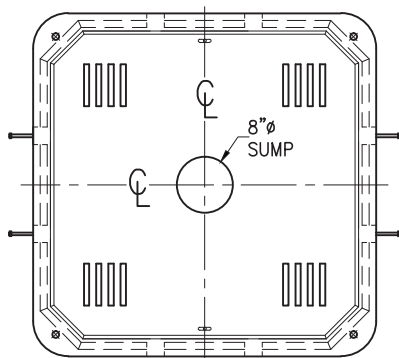
SECTION - C.I. COVER



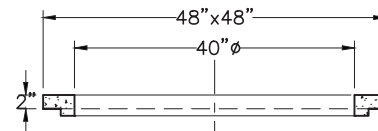
SIDE/END VIEW



TOP VIEW  
POLYMER CONCRETE ADAPTER



TOP VIEW  
POLYMER CONCRETE MANHOLE



SECTION -  
POLYMER CONCRETE ADAPTER

Armorcast Products Company reserves the right to update or discontinue product information at any time without notice.

[www.armorcastprod.com](http://www.armorcastprod.com)

Tel: (818) 982-3600 Fax: (818) 982-7742

POLYMER CONCRETE  
VAULTS & MANHOLE

# 48" x 60" VAULT ASSEMBLY

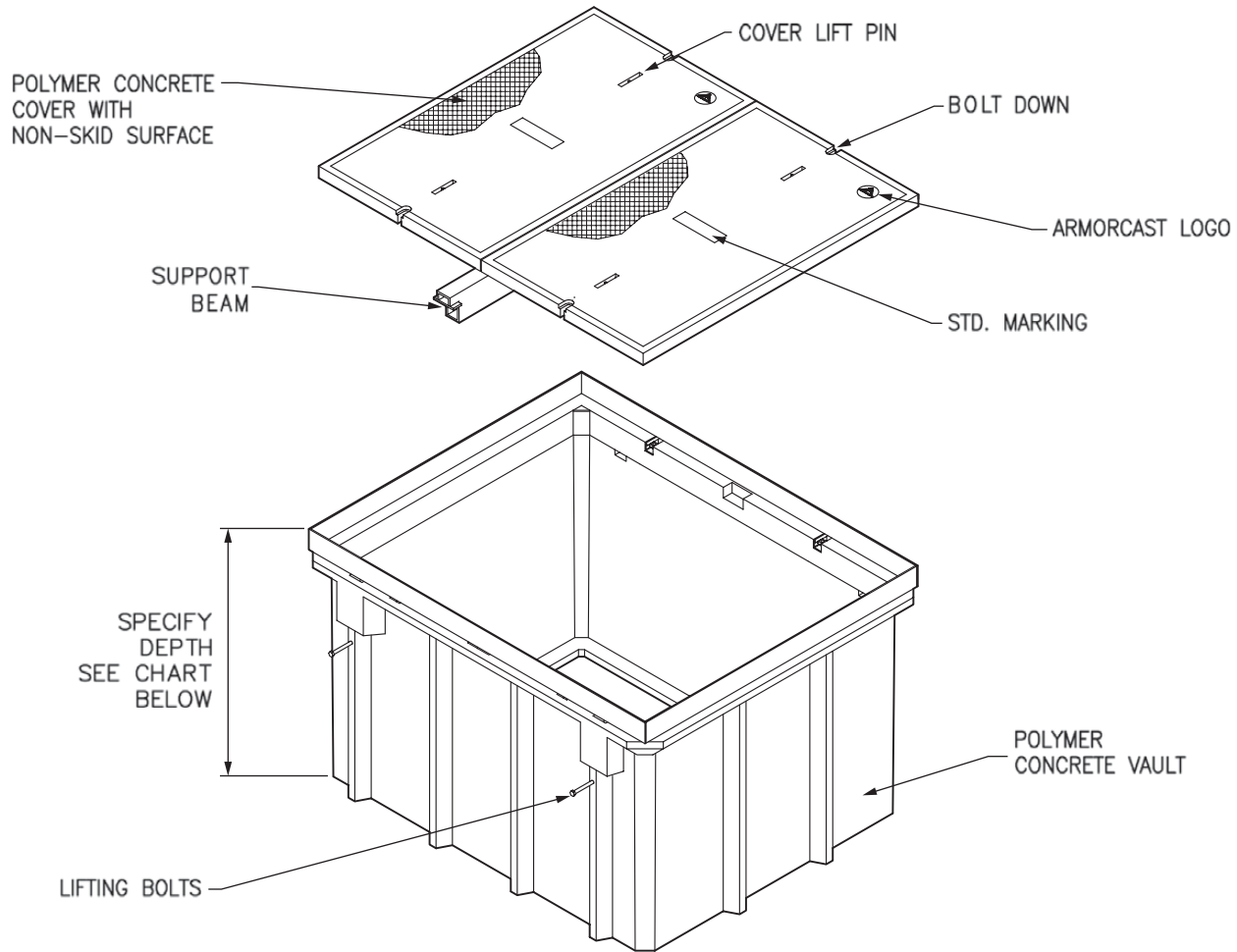
## 36" & 48" DEPTH



**POLYMER CONCRETE**

**ARMORCAST PRODUCTS COMPANY**

A6001447



### 48"W x 60"L VAULT ASSEMBLY Specify Depth Below

DESCRIPTION	NOMINAL SIZE W x L x D	LOAD RATING	ANSI TIER	PART NUMBER	APPROX. WEIGHT	PALLET QTY.
Vault & Cover Assembly	48" x 60" x 36"	10K	8	A6001447APCX36	1250 lbs.	1
	48" x 60" x 36"	20K	15 / 22	A6001447TAPCX36 / A6001447HDAPCX36	1250 lbs.	1
Vault & Cover Assembly	48" x 60" x 48"	10K	8	A6001447APCX48	1400 lbs.	1
	48" x 60" x 48"	20K	15 / 22	A6001447TAPCX48 / A6001447HDAPCX48	1400 lbs.	1

### COMPONENTS

DESCRIPTION	NOMINAL SIZE W x L x D	LOAD RATING	ANSI TIER	PART NUMBER	APPROX. WEIGHT	PALLET QTY.
Replacement Covers	48" x 60" 2 pc.	10K	8	A6001454	212 lbs.	10
	48" x 60" 2 pc.	20K	15 / 22	A6001454T / A6001454HD	212 lbs.	10
Replacement Vaults	48" x 60" x 36"	10K / 20K	22	A6001447PCX36	650 lbs.	1
	48" x 60" x 48"	10K / 20K	22	A6001447PCX48	800 lbs.	1

- Vaults are Open Bottom, also available with Split Base or Solid Bottoms.
- For sizes not shown please contact Armorcast Products for more information.

[www.armorcastprod.com](http://www.armorcastprod.com)

Tel: (818) 982-3600 Fax: (818) 982-7742

POLYMER CONCRETE VAULTS & MANHOLES





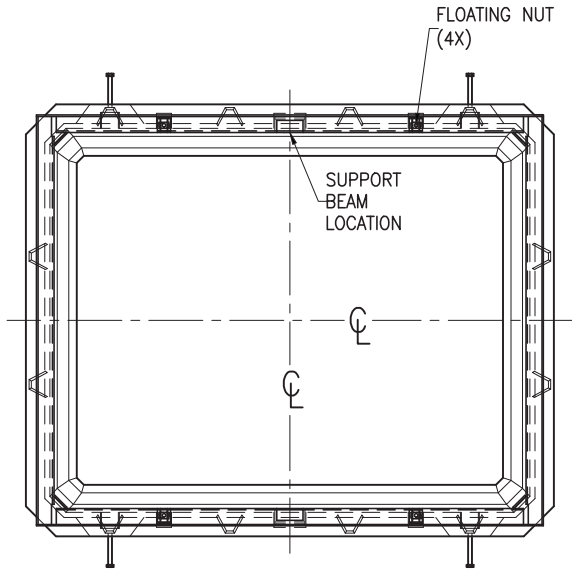
ARMORCAST PRODUCTS COMPANY

# 48" x 60" VAULT ASSEMBLY

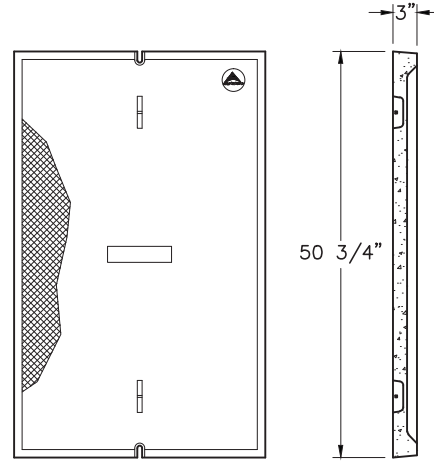
## STANDARD DIMENSIONS

POLYMER CONCRETE

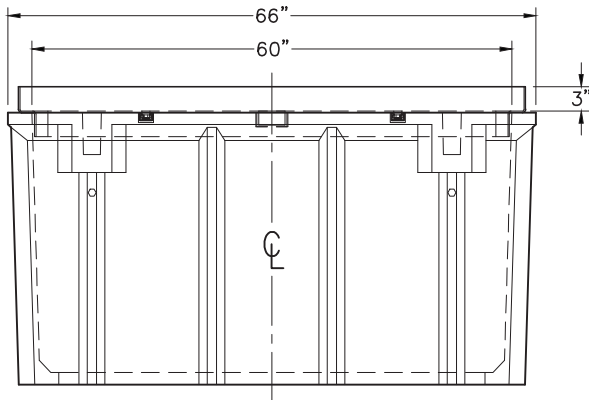
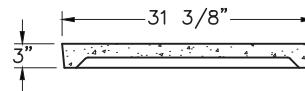
A6001447



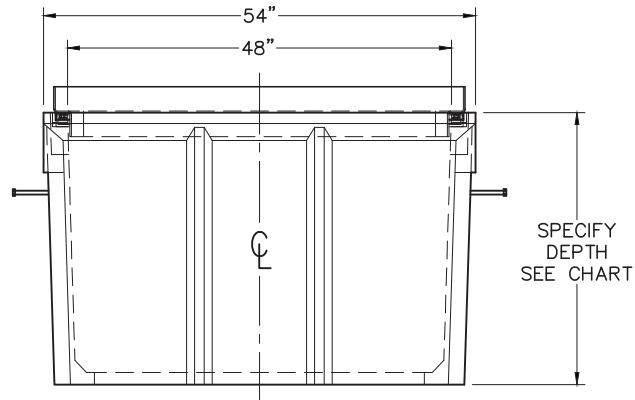
TOP VIEW



2 PIECE COVER  
POLYMER CONCRETE COVER



SIDE VIEW



END VIEW

Armorcast Products Company reserves the right to update or discontinue product information at any time without notice.

[www.armorcastprod.com](http://www.armorcastprod.com)

Tel: (818) 982-3600 Fax: (818) 982-7742

POLYMER CONCRETE  
VAULTS & MANHOLE

# 48" x 60" VAULT ASSEMBLY

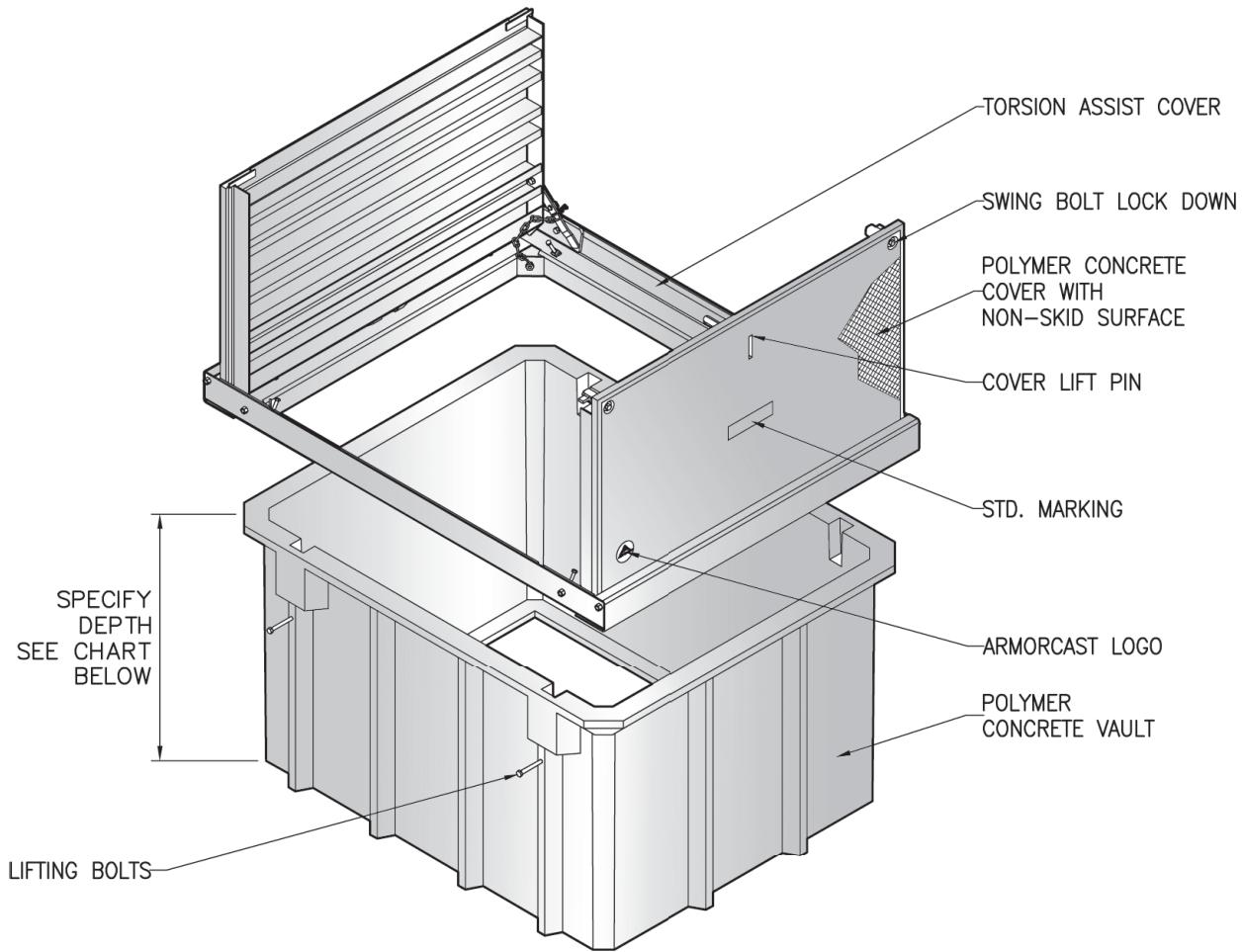
36" & 48" DEPTH / TORSION ASSIST



**POLYMER CONCRETE**

**ARMORCAST PRODUCTS COMPANY**

A6001447MT



POLYMER CONCRETE VAULTS & MANHOLES

## 48"W x 60"L VAULT ASSEMBLY / TORSION ASSIST COVER Specify Depth Below

DESCRIPTION	NOMINAL SIZE W x L x D	LOAD RATING	ANSI TIER	PART NUMBER	APPROX. WEIGHT	PALLET QTY.
Vault & Cover Assembly	48" x 60" x 36"	20K	15	A6001447TAP36MT	1200 lbs.	1
Vault & Cover Assembly	48" x 60" x 48"	20K	15	A6001447TAP48MT	1350 lbs.	1

- Vaults are Open Bottom, also available with Split Base or Solid Bottoms.
- For sizes not shown please contact Armorcast Products for more information.

[www.armorcastprod.com](http://www.armorcastprod.com)

Tel: (818) 982-3600 Fax: (818) 982-7742



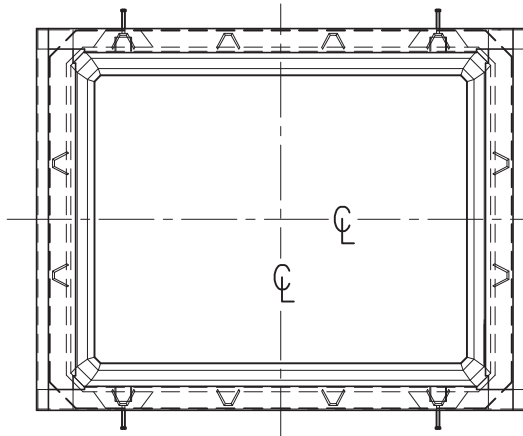
ARMORCAST PRODUCTS COMPANY

# 48" x 60" VAULT ASSEMBLY

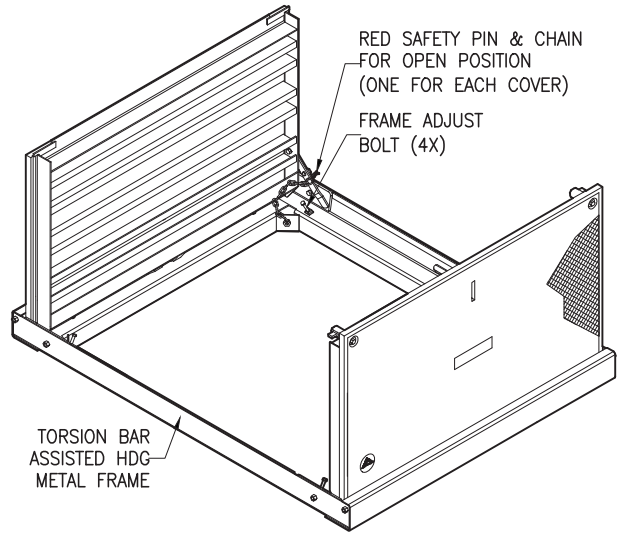
## STANDARD DIMENSIONS / TORSION ASSIST

POLYMER CONCRETE

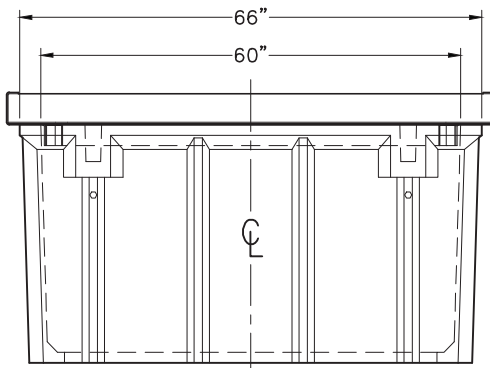
A6001447MT



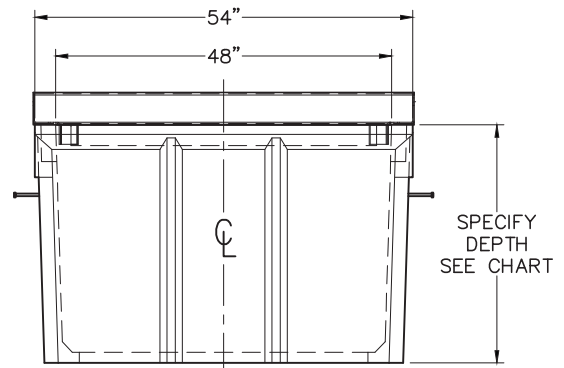
TOP VIEW



TORSION ASSIST COVER



SIDE VIEW



END VIEW

POLYMER CONCRETE  
VAULTS & MANHOLE

Armorcast Products Company reserves the right to update or discontinue product information at any time without notice.

[www.armorcastprod.com](http://www.armorcastprod.com)

Tel: (818) 982-3600 Fax: (818) 982-7742

# 48" x 60" MANHOLE ASSEMBLY

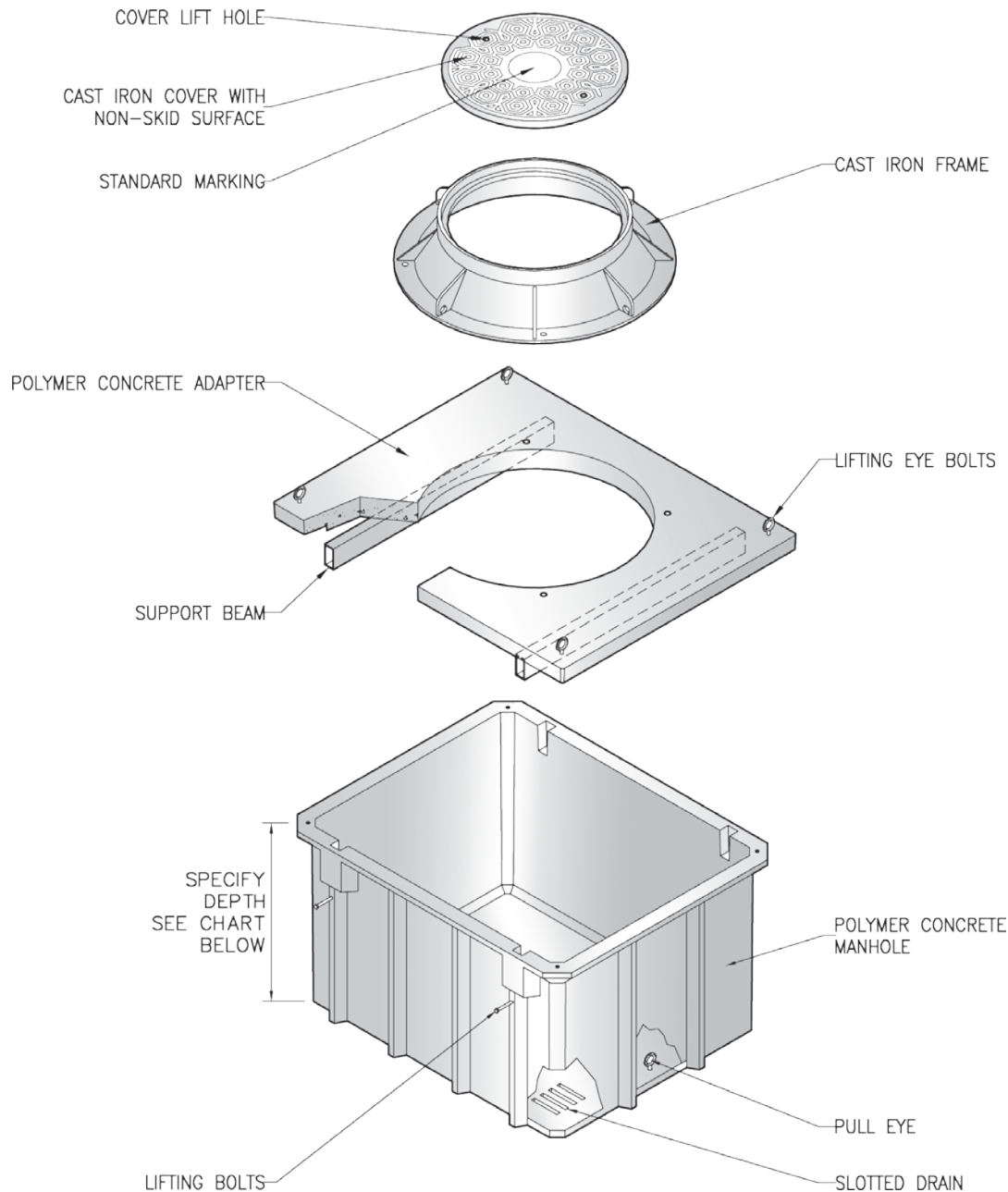
## 36" & 48" DEPTHS



**POLYMER CONCRETE**

**ARMORCAST PRODUCTS COMPANY**

A6001447H



POLYMER CONCRETE VAULTS & MANHOLES

### 48"W x 60"L MANHOLE ASSEMBLY Specify Depth Below

DESCRIPTION	NOMINAL SIZE W x L x D	LOAD RATING	ANSI TIER	PART NUMBER	APPROX. WEIGHT	PALLET QTY.
Manhole & Cover Assembly	48" x 60" x 36"	H20	-	A6001447HTAP36B	1785 lbs.	1
Manhole & Cover Assembly	48" x 60" x 48"	H20	-	A6001447HTAP48B	1935 lbs.	1

- Solid Bottom and includes Cast Iron Ring & Cover
- For sizes not shown please contact Armorcast Products for more information.

[www.armorcastprod.com](http://www.armorcastprod.com)

Tel: (818) 982-3600 Fax: (818) 982-7742



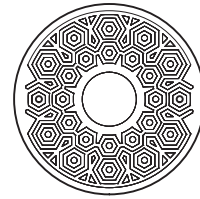
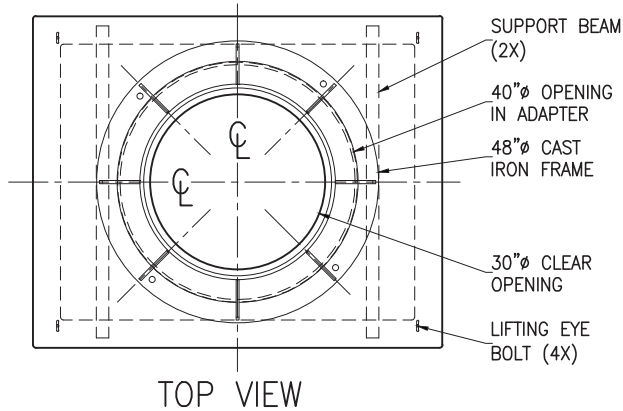
# 48" x 60" MANHOLE ASSEMBLY

## STANDARD DIMENSIONS

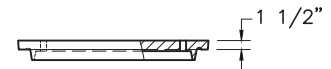
ARMORCAST PRODUCTS COMPANY

POLYMER CONCRETE

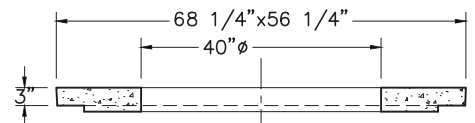
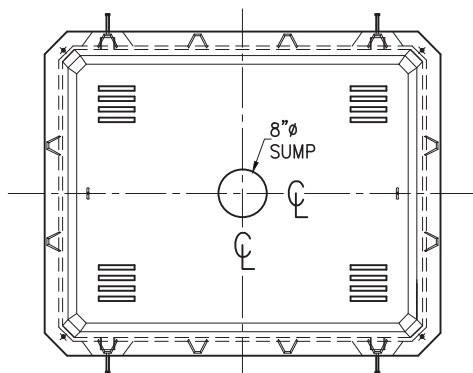
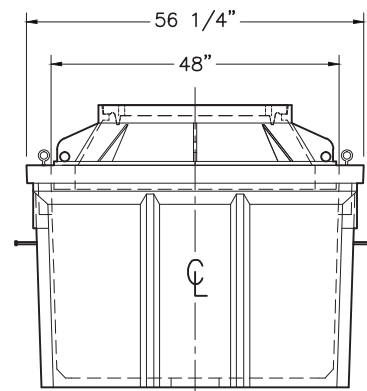
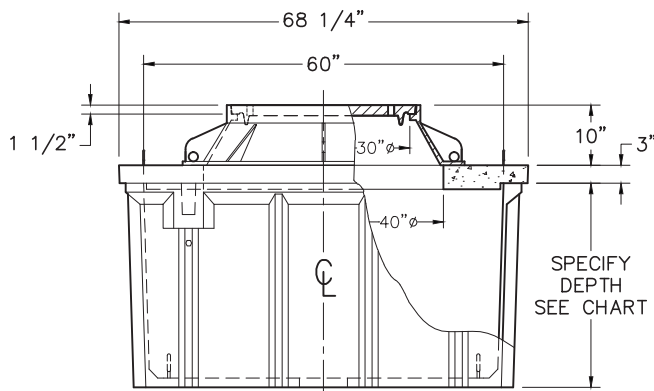
A6001447H



TOP VIEW  
32" C.I. COVER



SECTION - C.I. COVER



POLYMER CONCRETE  
VAULTS & MANHOLE

Armorcast Products Company reserves the right to update or discontinue product information at any time without notice.

[www.armorcastprod.com](http://www.armorcastprod.com)

Tel: (818) 982-3600 Fax: (818) 982-7742

# 48" x 72" VAULT ASSEMBLY

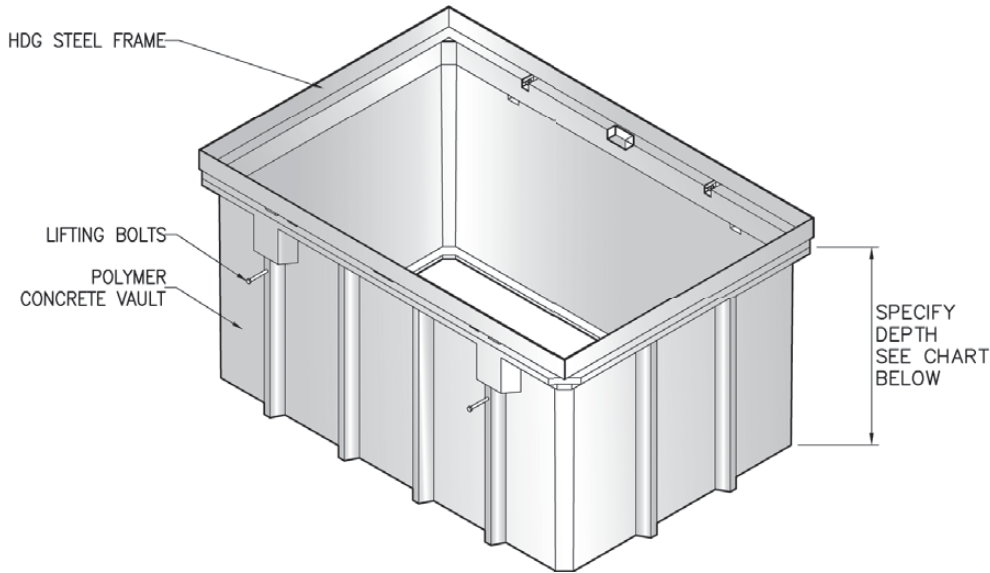
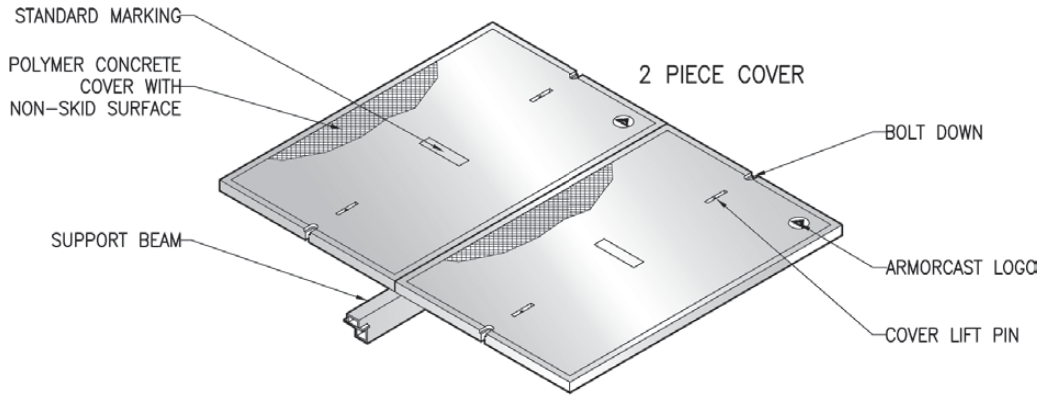
## 36" & 48" DEPTHS



**POLYMER CONCRETE**

**ARMORCAST PRODUCTS COMPANY**

**A6001506**



### 48"W x 72"L VAULT ASSEMBLY Specify Depth Below

DESCRIPTION	NOMINAL SIZE W x L x D	LOAD RATING	ANSI TIER	PART NUMBER	APPROX. WEIGHT	PALLET QTY.
Vault & Cover Assembly	48" x 72" x 36"	10K	8	A6001506APCX36	1230 lbs.	1
	48" x 72" x 36"	20K	15/22	A6001506TAPCX36/A6001506HDAPCX36	1230 lbs.	1
Vault & Cover Assembly	48" x 72" x 48"	10K	8	A6001506APCX48	1450 lbs.	1
	48" x 72" x 48"	20K	15/22	A6001506TAPCX48/A6W1506HDAPCX48	1450 lbs.	1

### COMPONENTS

DESCRIPTION	NOMINAL SIZE W x L x D	LOAD RATING	ANSI TIER	PART NUMBER	APPROX. WEIGHT	PALLET QTY.
Replacement Covers	48" x 72" 2 pc.	10K	8	A6001458	255 lbs.	10
	48" x 72" 2 pc.	20K	15/22	A6001458T/A6001458HD	255 lbs.	10
Replacement Vaults	48" x 72" x 36"	10K / 20K	22	A6001506PCX36	640 lbs.	1
	48" x 72" x 48"	10K / 20K	22	A6001506PCX48	860 lbs.	1
Extension	48" x 72" x 12"	10K / 20K	22	A6001506PCX12	415 lbs.	5

- Vaults are Open Bottom, also available with Split Base or Solid Bottoms.
- For sizes not shown please contact Armorcast Products for more information.

[www.armorcastprod.com](http://www.armorcastprod.com)

Tel: (818) 982-3600 Fax: (818) 982-7742

POLYMER CONCRETE VAULTS & MANHOLES



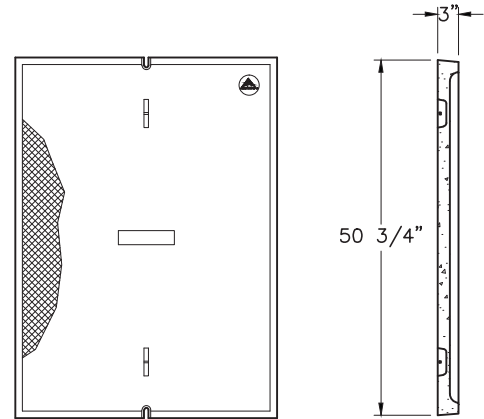
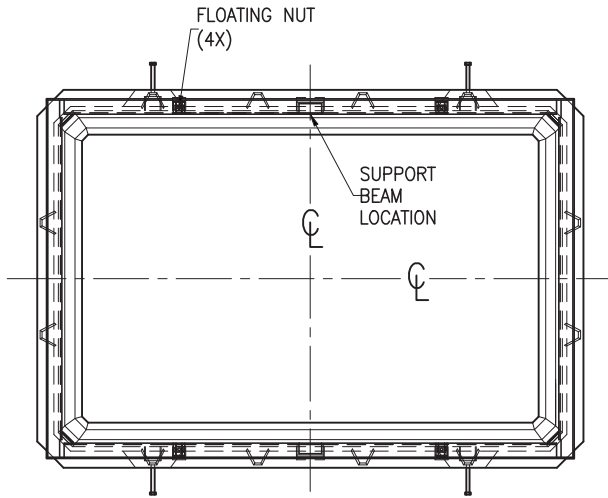
ARMORCAST PRODUCTS COMPANY

# 48" x 72" VAULT ASSEMBLY

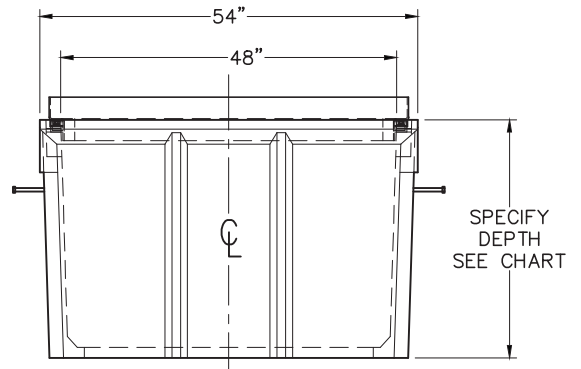
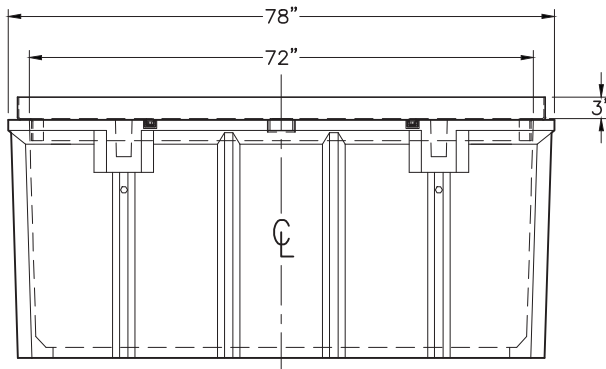
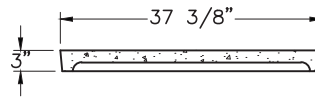
## STANDARD DIMENSIONS

POLYMER CONCRETE

A6001506



2 PIECE COVER  
POLYMER CONCRETE COVER



POLYMER CONCRETE  
VAULTS & MANHOLE

Armorcast Products Company reserves the right to update or discontinue product information at any time without notice.

[www.armorcastprod.com](http://www.armorcastprod.com)

Tel: (818) 982-3600 Fax: (818) 982-7742

# 48" x 72" VAULT ASSEMBLY

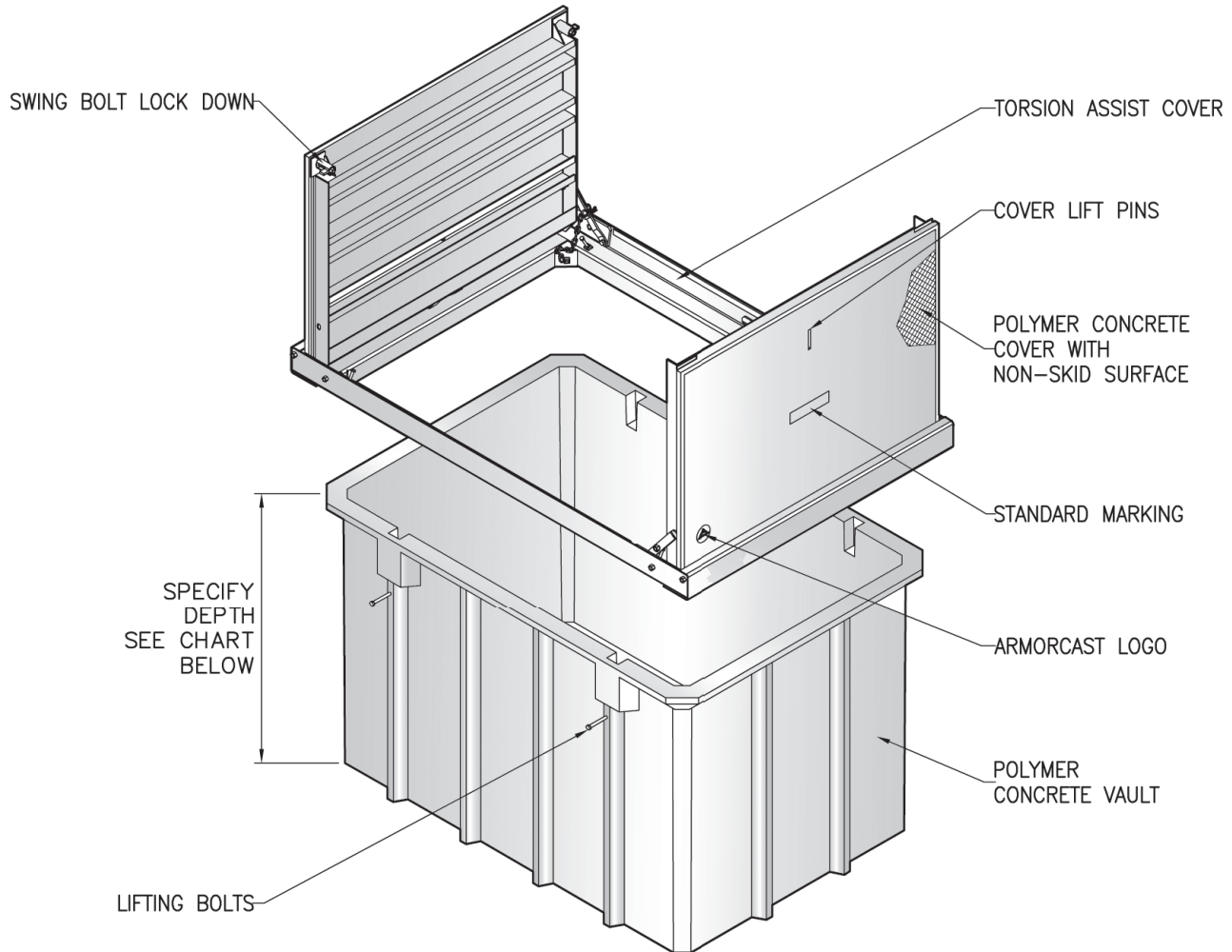
36" & 48" DEPTHS / TORSION ASSIST



**POLYMER CONCRETE**

**ARMORCAST PRODUCTS COMPANY**

A6001506MT



POLYMER CONCRETE VAULTS & MANHOLES

## 48"W x 72"L VAULT ASSEMBLY / TORSION ASSIST COVER Specify Depth Below

DESCRIPTION	NOMINAL SIZE W x L x D	LOAD RATING	ANSI TIER	PART NUMBER	APPROX. WEIGHT	PALLET QTY.
Vault & Cover Assembly	48" x 72" x 36"	20K	15	A6001506TAP36MT	1200 lbs.	1
Vault & Cover Assembly	48" x 72" x 48"	20K	15	A6001506TAP48MT	1425 lbs.	1

- Vaults are Open Bottom, also available with Split Base or Solid Bottoms.
- For sizes not shown please contact Armorcast Products for more information.

[www.armorcastprod.com](http://www.armorcastprod.com)

Tel: (818) 982-3600 Fax: (818) 982-7742





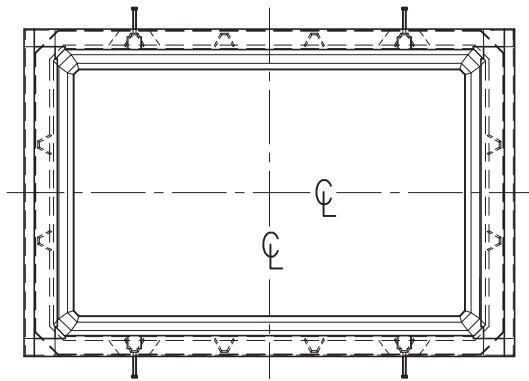
ARMORCAST PRODUCTS COMPANY

# 48" x 72" VAULT ASSEMBLY

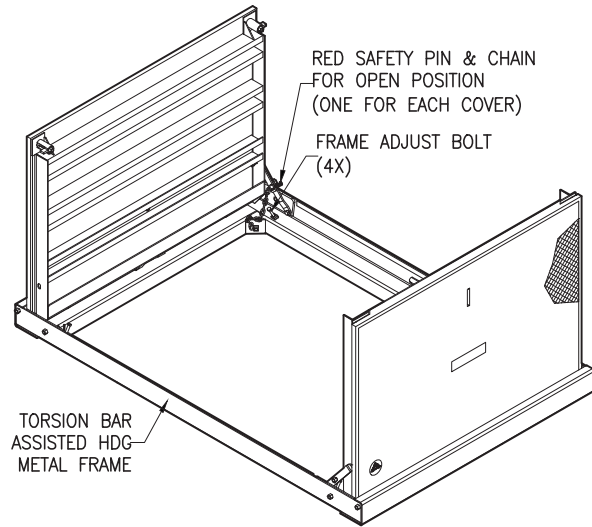
## STANDARD DIMENSIONS / TORSION ASSIST

POLYMER CONCRETE

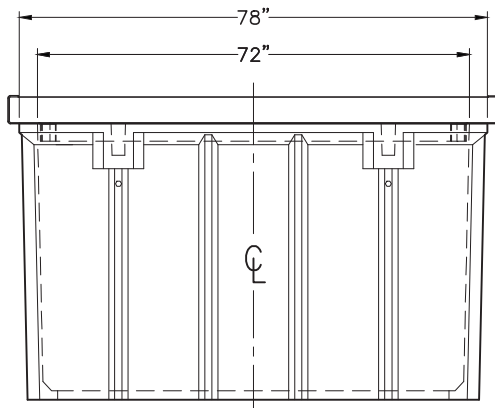
A6001506MT



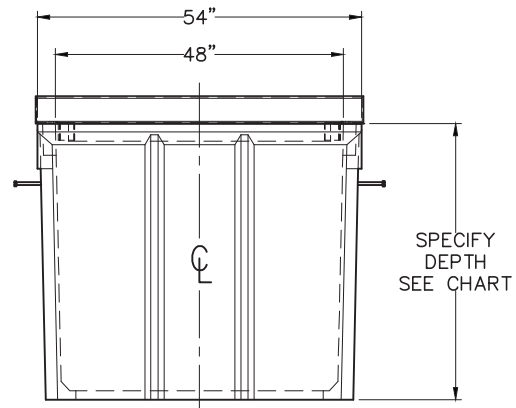
TOP VIEW



TORSION ASSIST COVER



SIDE VIEW



END VIEW

Armorcast Products Company reserves the right to update or discontinue product information at any time without notice.

[www.armorcastprod.com](http://www.armorcastprod.com)

Tel: (818) 982-3600 Fax: (818) 982-7742

POLYMER CONCRETE  
VAULTS & MANHOLE

# 48" x 72" MANHOLE ASSEMBLY

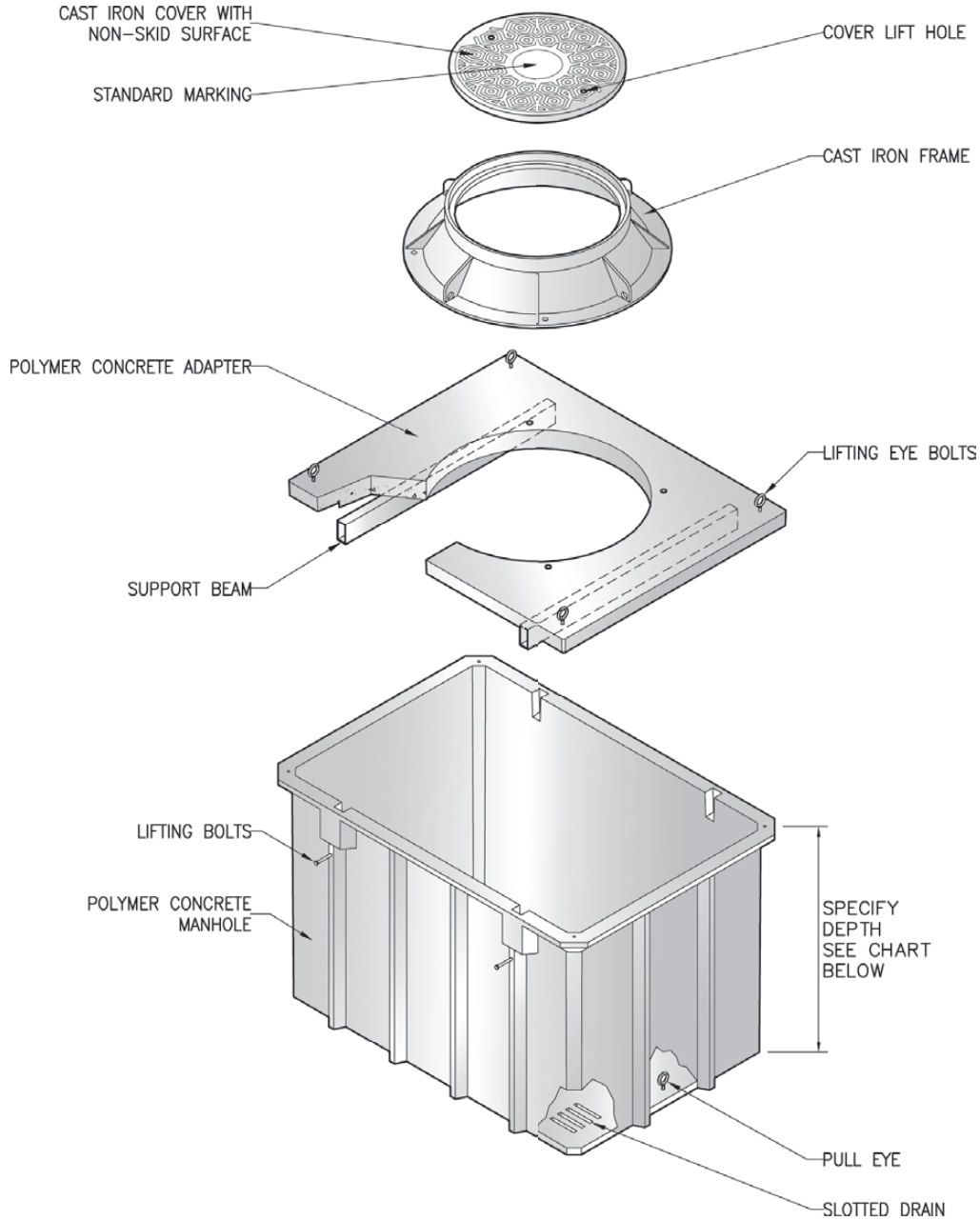
36" & 48" DEPTHS



**POLYMER CONCRETE**

**ARMORCAST PRODUCTS COMPANY**

A6001506H



POLYMER CONCRETE VAULTS & MANHOLES

## 48"W x 72"L MANHOLE ASSEMBLY Specify Depth Below

DESCRIPTION	NOMINAL SIZE W x L x D	LOAD RATING	ANSI TIER	PART NUMBER	APPROX. WEIGHT	PALLET QTY.
Manhole & Cover Assembly	48" x 72" x 36"	H20	-	A6001506HTAP36B	2000 lbs.	1
Manhole & Cover Assembly	48" x 72" x 48"	H20	-	A6001506HTAP48B	2225 lbs.	1

• For sizes not shown please contact Armorcast Products for more information.

[www.armorcastprod.com](http://www.armorcastprod.com)

Tel: (818) 982-3600 Fax: (818) 982-7742



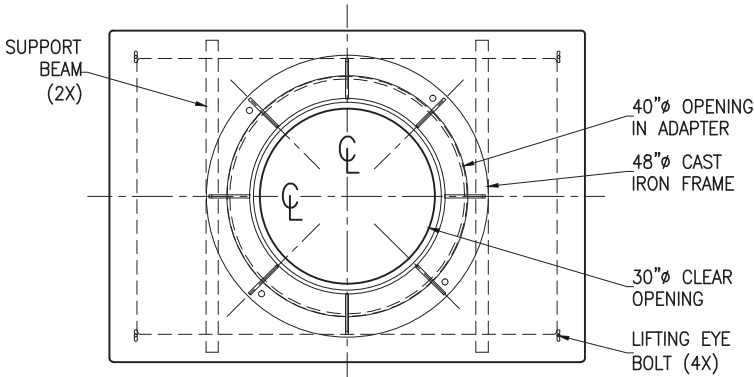
# 48" x 72" MANHOLE ASSEMBLY

## STANDARD DIMENSIONS

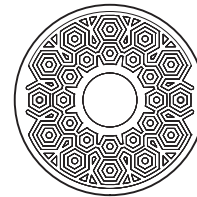
ARMORCAST PRODUCTS COMPANY

POLYMER CONCRETE

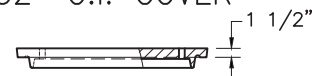
A6001506H



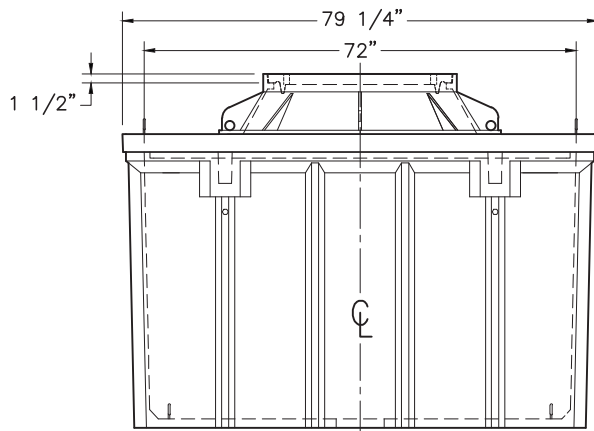
TOP VIEW



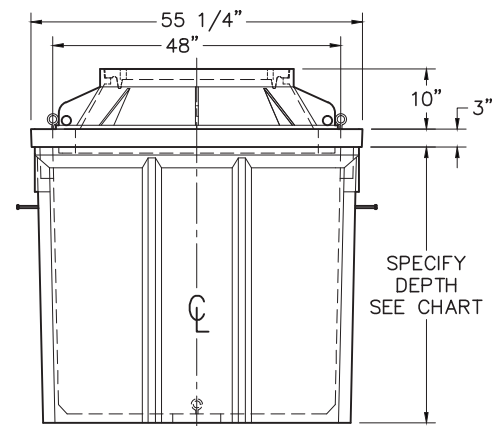
TOP VIEW  
32" C.I. COVER



SECTION - C.I. COVER

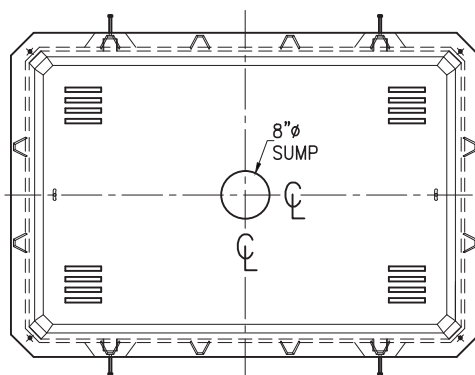


SIDE VIEW

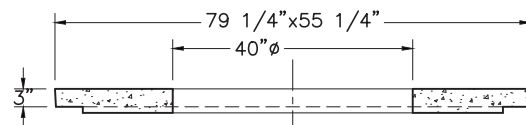


END VIEW

SPECIFY DEPTH SEE CHART



POLYMER CONCRETE MANHOLE  
TOP VIEW



SECTION -  
POLYMER CONCRETE ADAPTER

Armorcast Products Company reserves the right to update or discontinue product information at any time without notice.

[www.armorcastprod.com](http://www.armorcastprod.com)

Tel: (818) 982-3600 Fax: (818) 982-7742

POLYMER CONCRETE  
VAULTS & MANHOLE

# 48" x 96" VAULT ASSEMBLY

## 48" DEPTH

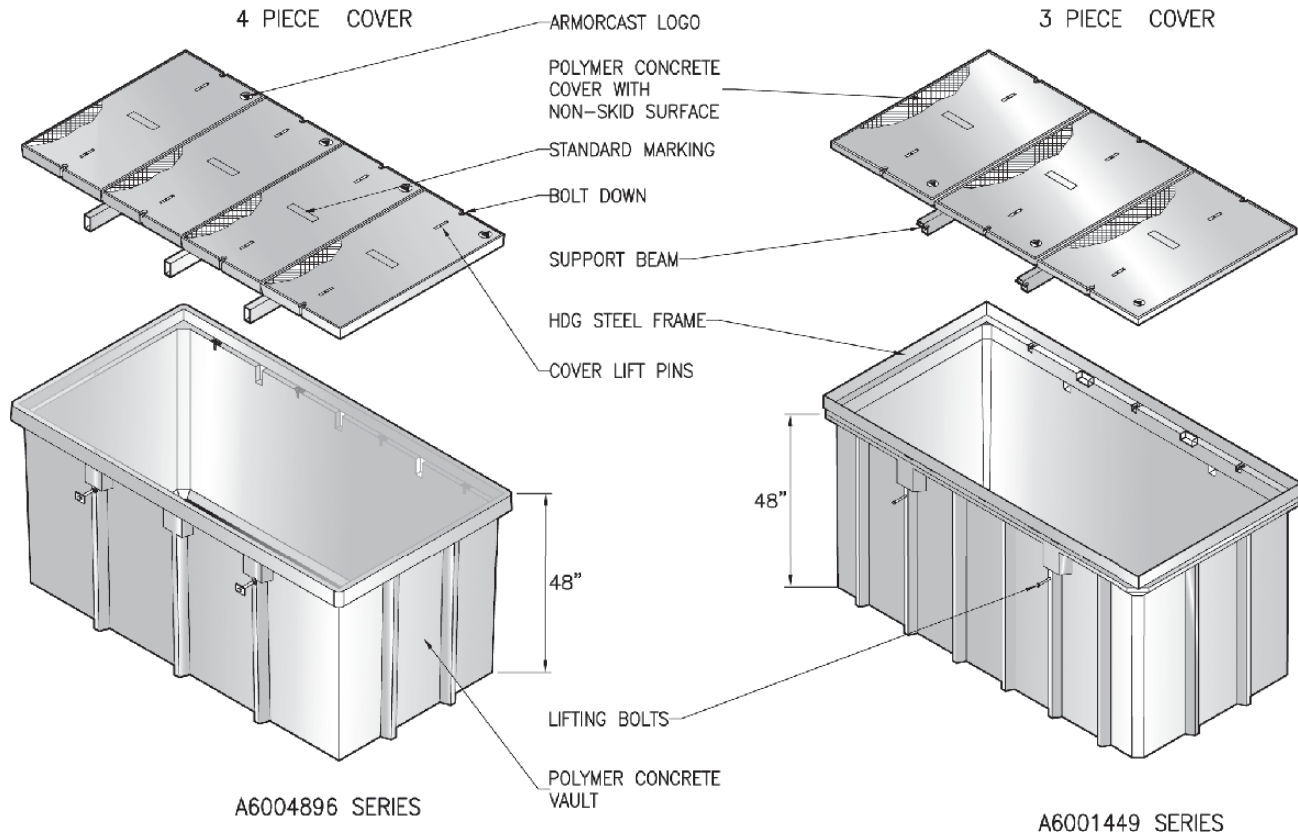


**POLYMER CONCRETE**

**ARMORCAST PRODUCTS COMPANY**

A6001449

A6004896



POLYMER CONCRETE VAULTS & MANHOLE

### 48"W x 96"L VAULT ASSEMBLY Specify Depth Below

DESCRIPTION	NOMINAL SIZE W x L x D	LOAD RATING	ANSI TIER	PART NUMBER	APPROX. WEIGHT	PALLET QTY.
Vault & Cover Assembly	48" x 96" x 48" 3 pc.	10K	8	A6001449APCX48	1827 lbs.	1
	48" x 96" x 48" 3 pc.	20K	15/22	A6001449TAPCX48/A6001449HDAPCX48	1827 lbs.	1
	48" x 96" x 48" 4 pc.	10K	8	A6004896APCX48	1975 lbs.	1
	48" x 96" x 48" 4 pc.	20K	15/22	A6004896TAPCX48/A6004896HDA1CX48	1975 lbs.	1

### COMPONENTS

DESCRIPTION	NOMINAL SIZE W x L x D	LOAD RATING	ANSI TIER	PART NUMBER	APPROX. WEIGHT	PALLET QTY.
Replacement Covers	48" x 96" 3 pc.	10K	8	A6001459	229 lbs.	10
	48" x 96" 3 pc.	20K	15 / 22	A6001459T / A6001459HD	229 lbs.	10
Replacement Covers	48" x 96" 4 pc.	10K	8	A6004896-CVR	170 lbs.	10
	48" x 96" 4 pc.	20K	15 / 22	A6004896T-CVR / A6004896HD-CVR	170 lbs.	10
Replacement Vault	48" x 96" x 48"	10K / 20K	22	A6001449PCX48	1040 lbs.	1
Replacement Vault	48" x 96" x 48"	10K / 20K	22	A6004896PCX48	1220 lbs.	1
Extension	48" x 96" x 12"	10K / 20K	22	A6001449PCX12	485 lbs.	5

- Vaults are Open Bottom, also available with Split Base or Solid Bottoms.
- For sizes not shown please contact Armorcast Products for more information.

[www.armorcastprod.com](http://www.armorcastprod.com) Tel: (818) 982-3600 Fax: (818) 982-7742



ARMORCAST PRODUCTS COMPANY

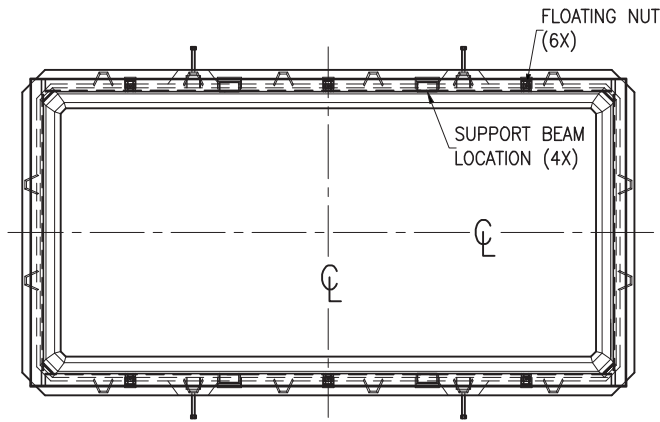
# 48" x 96" VAULT ASSEMBLY

## STANDARD DIMENSIONS

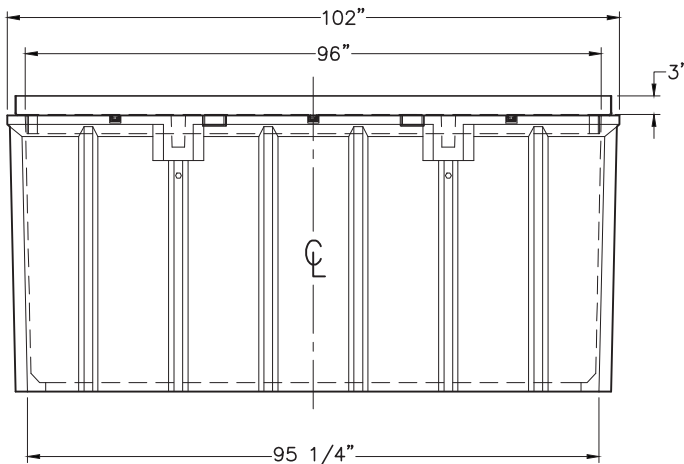
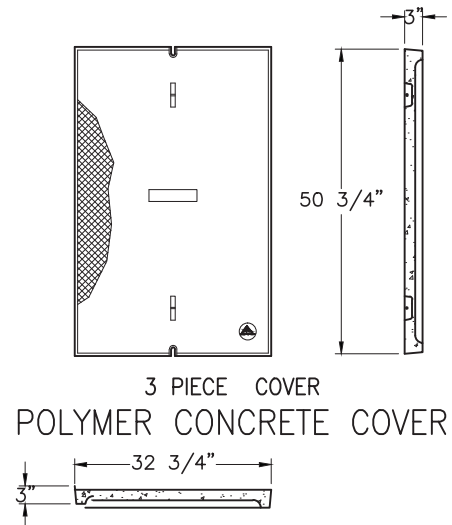
POLYMER CONCRETE

A6001449

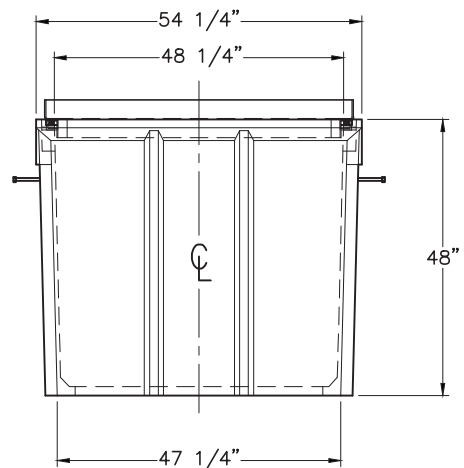
A6004896



TOP VIEW



SIDE VIEW



END VIEW

Armorcast Products Company reserves the right to update or discontinue product information at any time without notice.

[www.armorcastprod.com](http://www.armorcastprod.com)

Tel: (818) 982-3600 Fax: (818) 982-7742

POLYMER CONCRETE  
VAULTS & MANHOLE

# 48" x 96" VAULT ASSEMBLY

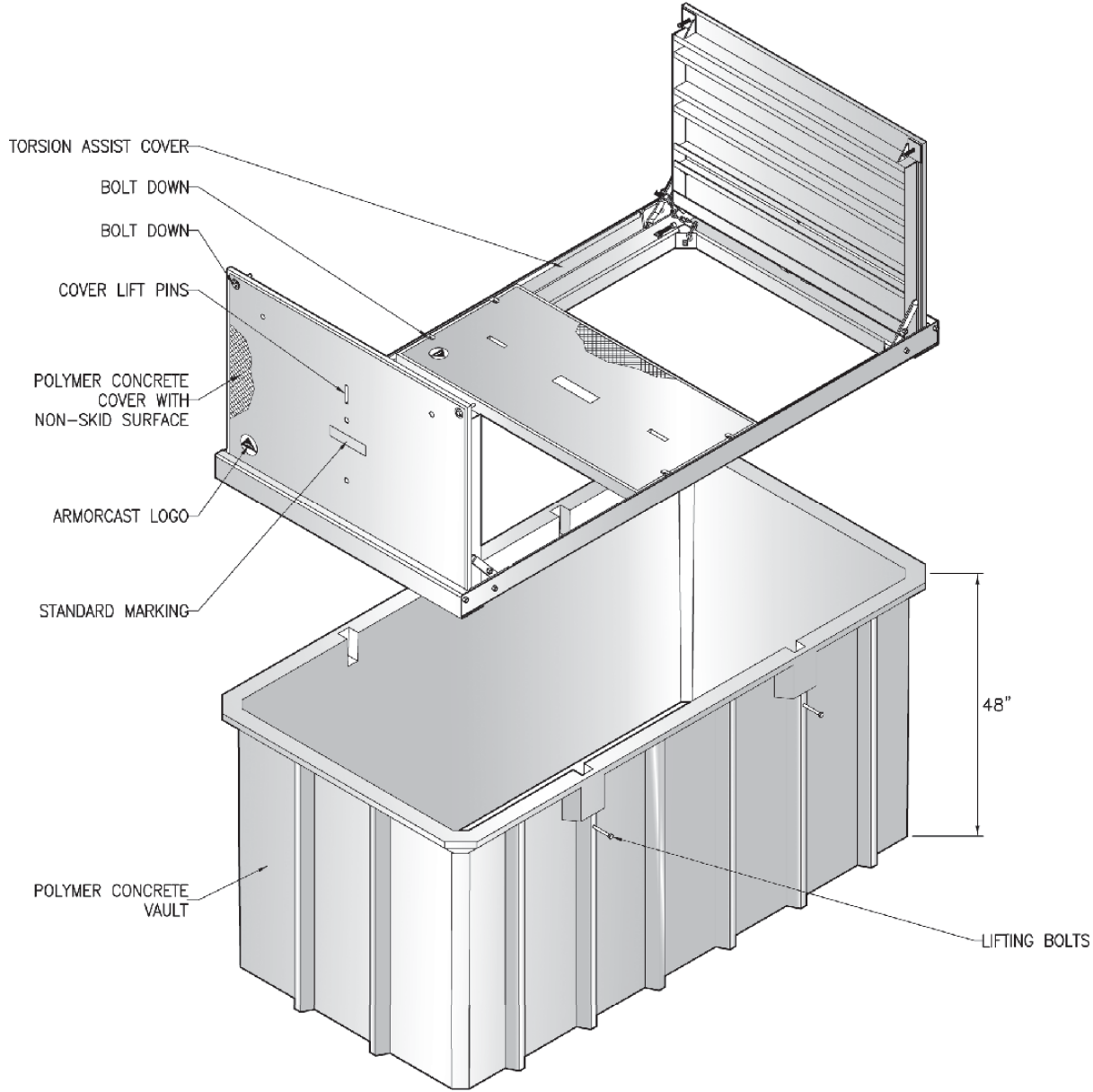
## 48" DEPTH / TORSION ASSIST



**POLYMER CONCRETE**

**ARMORCAST PRODUCTS COMPANY**

A6001449MT



POLYMER CONCRETE VAULTS & MANHOLE

### 48"W x 96"L VAULT ASSEMBLY / TORSION ASSIST COVER Specify Depth Below

DESCRIPTION	NOMINAL SIZE W x L x D	LOAD RATING	ANSI TIER	PART NUMBER	APPROX. WEIGHT	PALLET QTY.
Vault & Cover Assembly	48" x 96" x 48"	20K	15	A6001449TAP48MT	1990 lbs.	1

- Vaults are Open Bottom, also available with Split Base or Solid Bottoms.
- For sizes not shown please contact Armorcast Products for more information.

[www.armorcastprod.com](http://www.armorcastprod.com)

Tel: (818) 982-3600 Fax: (818) 982-7742



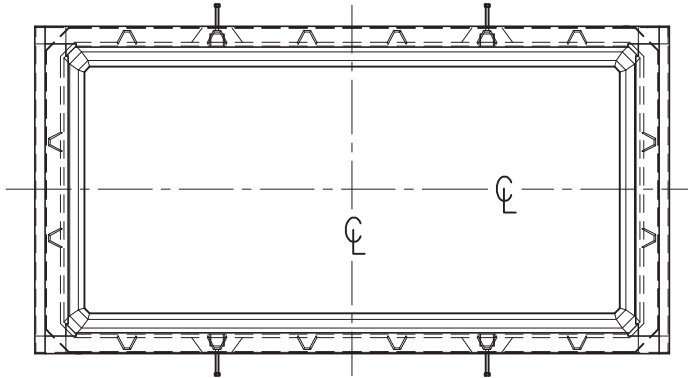
ARMORCAST PRODUCTS COMPANY

# 48" x 96" VAULT ASSEMBLY

## STANDARD DIMENSIONS / TORSION ASSIST

POLYMER CONCRETE

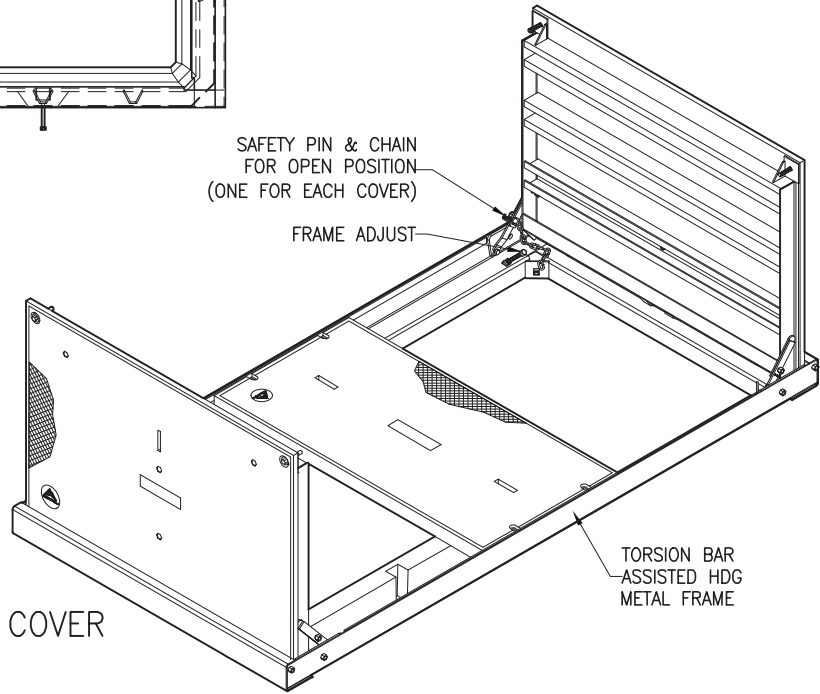
A6001449MT



TOP VIEW

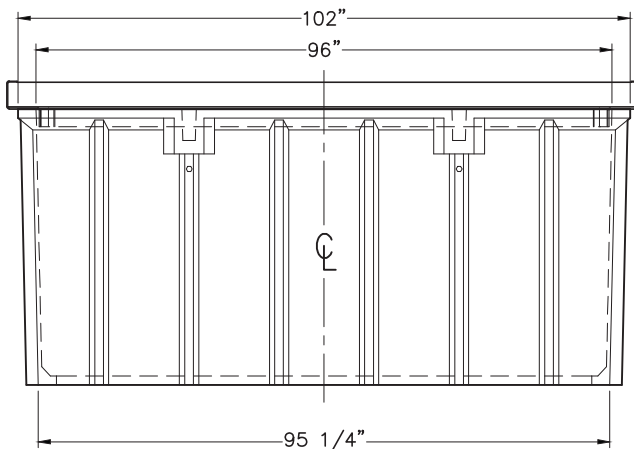
SAFETY PIN & CHAIN  
FOR OPEN POSITION  
(ONE FOR EACH COVER)

FRAME ADJUST

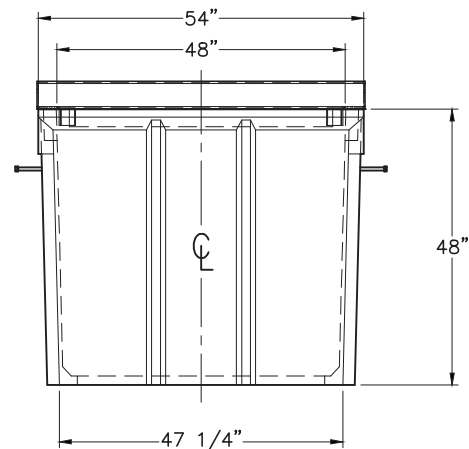


TORSION BAR  
ASSISTED HDG  
METAL FRAME

TORSION ASSIST COVER



SIDE VIEW



END VIEW

Armorcast Products Company reserves the right to update or discontinue product information at any time without notice.

[www.armorcastprod.com](http://www.armorcastprod.com)

Tel: (818) 982-3600 Fax: (818) 982-7742

POLYMER CONCRETE  
VAULTS & MANHOLE

# 48" x 96" MANHOLE ASSEMBLY

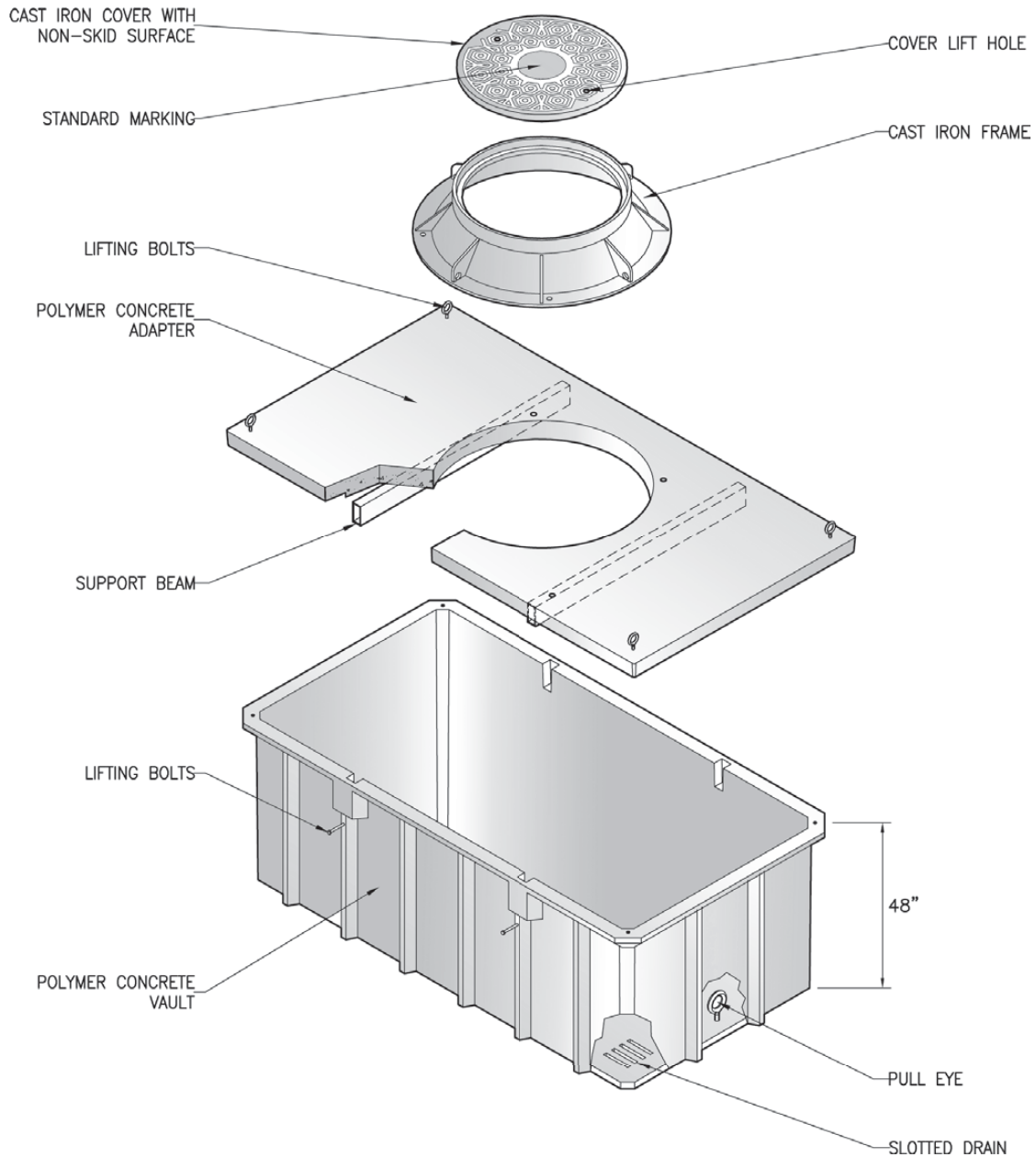
## 48" DEPTH



**POLYMER CONCRETE**

**ARMORCAST PRODUCTS COMPANY**

A6001449H



POLYMER CONCRETE VAULTS & MANHOLE

### 48"W x 96"L MANHOLE ASSEMBLY Specify Depth Below

DESCRIPTION	NOMINAL SIZE W x L x D	LOAD RATING	ANSI TIER	PART NUMBER	APPROX. WEIGHT	PALLET QTY.
Manhole & Cover Assembly	48" x 96" x 48"	H20	-	A6001449HTAP48B	2995 lbs.	1

- Solid Bottom and includes Cast Iron Ring & Cover
- For sizes not shown please contact Armorcast Products for more information.

[www.armorcastprod.com](http://www.armorcastprod.com)

Tel: (818) 982-3600 Fax: (818) 982-7742





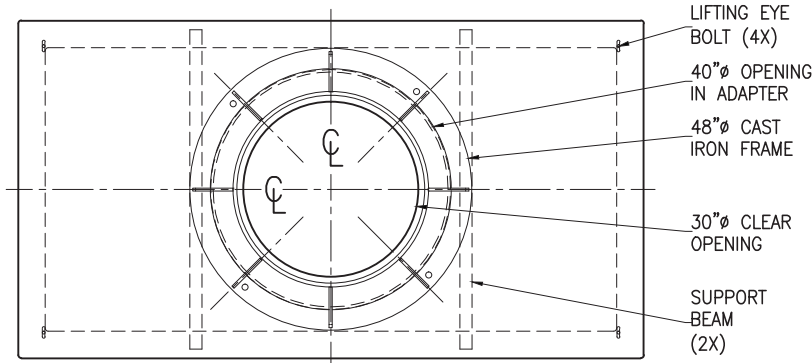
# 48" x 96" MANHOLE ASSEMBLY

## STANDARD DIMENSIONS

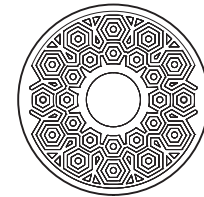
ARMORCAST PRODUCTS COMPANY

POLYMER CONCRETE

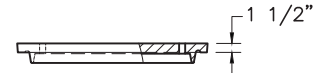
A6001449H



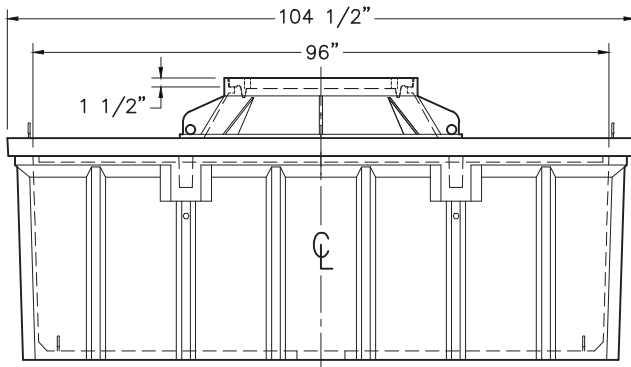
TOP VIEW



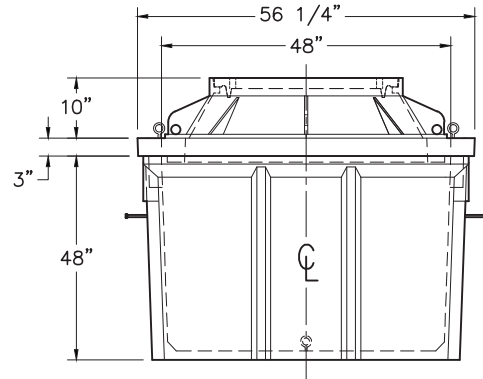
TOP VIEW  
 32" C.I. COVER



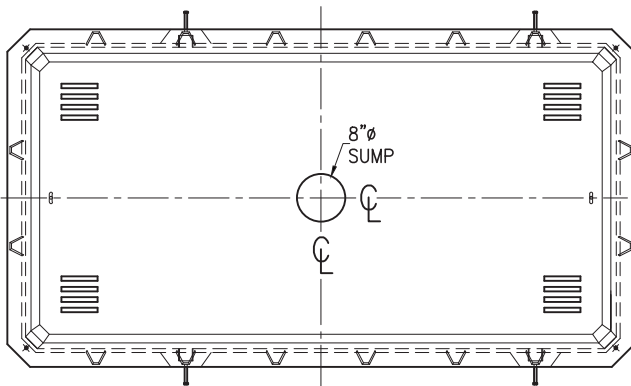
SECTION - C.I. COVER



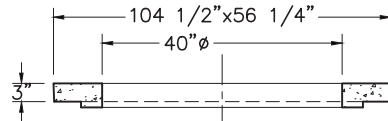
SIDE VIEW



END VIEW



POLYMER CONCRETE MANHOLE  
 TOP VIEW



SECTION -  
 POLYMER CONCRETE ADAPTER

Armorcast Products Company reserves the right to update or discontinue product information at any time without notice.

[www.armorcastprod.com](http://www.armorcastprod.com)

Tel: (818) 982-3600 Fax: (818) 982-7742

POLYMER CONCRETE  
 VAULTS & MANHOLE

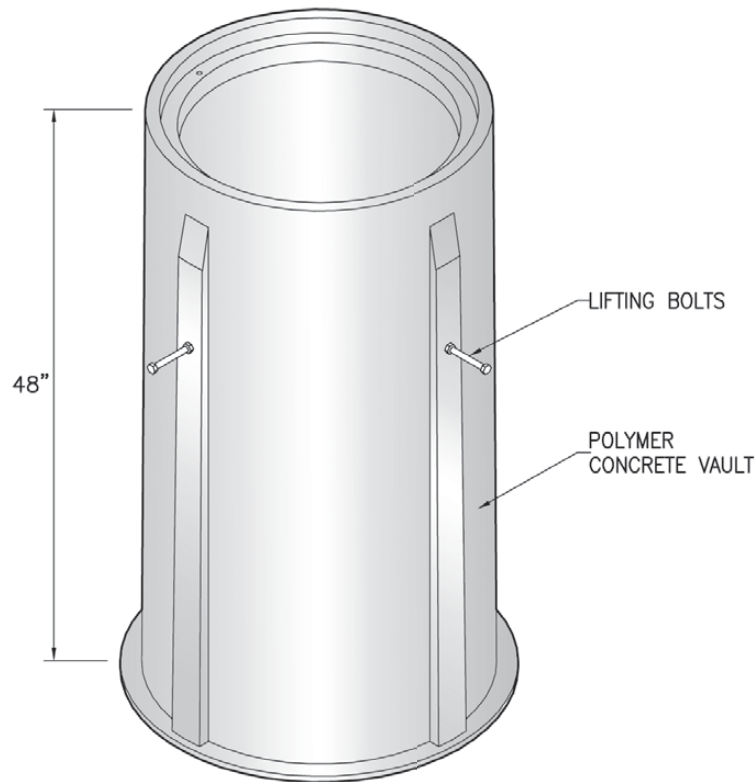
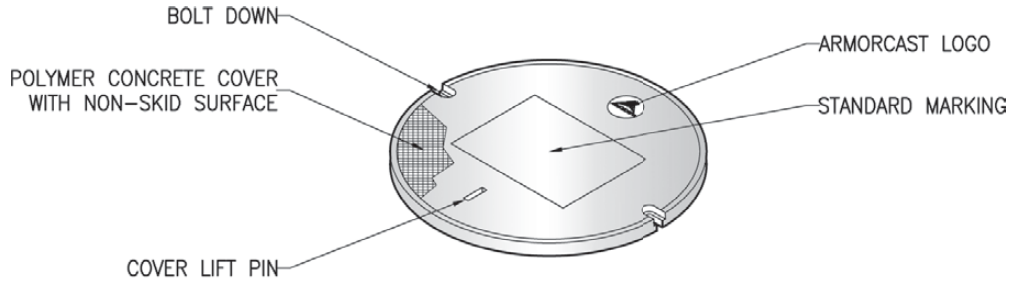
# 26" ROUND VAULT ASSEMBLY



**POLYMER CONCRETE**

**ARMORCAST PRODUCTS COMPANY**

A6000177



POLYMER CONCRETE VAULTS & MANHOLE

## 26" DIA. VAULT ASSEMBLY

DESCRIPTION	NOMINAL SIZE DIA. X DEPTH	LOAD RATING	ANSI TIER	PART NUMBER	APPROX. WEIGHT	PALLET QTY.
Round Vault & Cover Assembly	26" x 48"	10K	8	A6000177APCX48	245 lbs.	2
	26" x 48"	20K	15 / 22	A6000177APCX48 / A6000177HD-APCX48	245 lbs.	2

## COMPONENTS

DESCRIPTION	NOMINAL SIZE	LOAD RATING	ANSI TIER	PART NUMBER	APPROX. WEIGHT	PALLET QTY.
Replacement Cover	26	10K / 20K	15/22	A6000179 / A6000179HD	42 lbs.	10
Replacement Vault	26" x 48"	10K / 20K	15/22	A6000177PCX48	202 lbs.	2

• For sizes not shown please contact Armorcast Products for more information.

THIS PRODUCT IS LISTED TO APPLICABLE UL STANDARDS AND REQUIREMENTS BY UL.

[www.armorcastprod.com](http://www.armorcastprod.com)

Tel: (818) 982-3600 Fax: (818) 982-7742



# 26" ROUND PC VAULT ASSEMBLY

## STANDARD DIMENSIONS

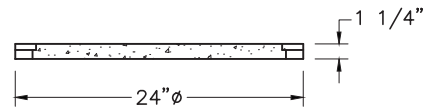
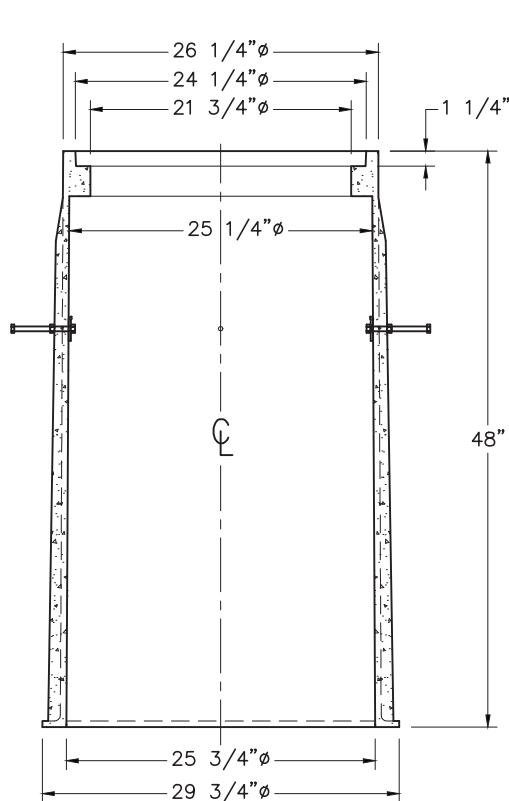
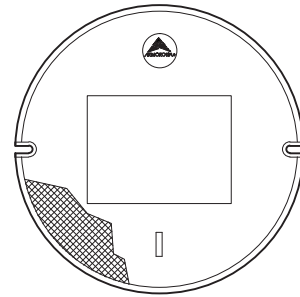
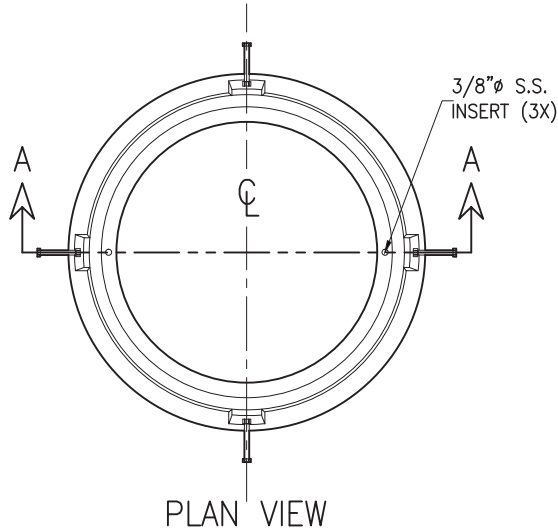
ARMORCAST PRODUCTS COMPANY

POLYMER CONCRETE

A6000177



FILE #E364252



POLYMER CONCRETE SPLICE VAULT

Armorcast Products Company reserves the right to update or discontinue product information at any time without notice.

THIS PRODUCT IS LISTED TO APPLICABLE UL STANDARDS AND REQUIREMENTS BY UL.

[www.armorcastprod.com](http://www.armorcastprod.com)

Tel: (818) 982-3600 Fax: (818) 982-7742

POLYMER CONCRETE VAULTS & MANHOLE

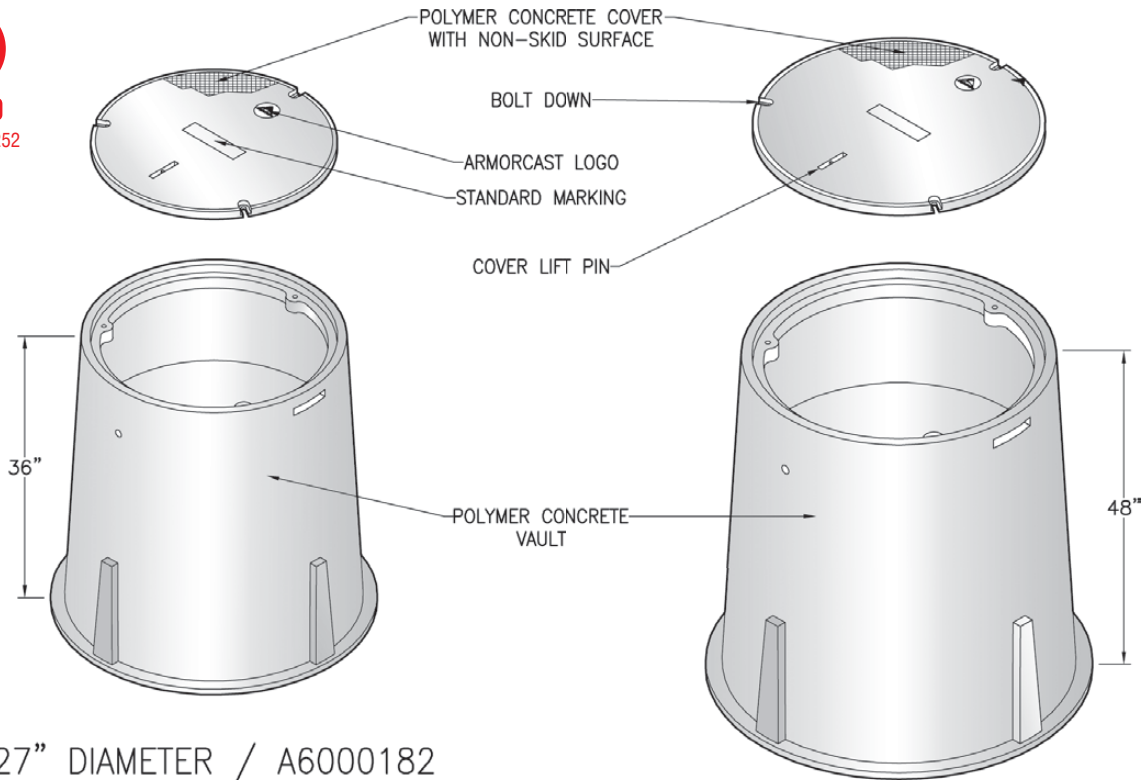
# 27" & 32" ROUND VAULT ASSEMBLY



**POLYMER CONCRETE**

**ARMORCAST PRODUCTS COMPANY**

A6000182  
A6000187



27" DIAMETER / A6000182

32" DIAMETER / A6000187

## 27" DIA. VAULT ASSEMBLY

DESCRIPTION	NOMINAL SIZE DIA. X DEPTH	LOAD RATING	ANSI TIER	PART NUMBER	APPROX. WEIGHT	PALLET QTY.
Round Vault & Cover Assembly	27" x 36"	10K	8	A6000182AX36	309 lbs.	3
	27" x 36"	20K	15 / 22	A6000182TAX36 / A6000182HDAX36	309 lbs.	3

## COMPONENTS

DESCRIPTION	NOMINAL SIZE	LOAD RATING	ANSI TIER	PART NUMBER	APPROX. WEIGHT	PALLET QTY.
Replacement Cover	27"	10K / 20K	8 / 15 / 22	A6000181 / A6000181T / A6000181HD	57 lbs.	10
Replacement Vault	27" x 36"	10K / 20K	22	A6000182X36	252 lbs.	3

## 32" DIA. VAULT ASSEMBLY

DESCRIPTION	NOMINAL SIZE DIA. X DEPTH	LOAD RATING	ANSI TIER	PART NUMBER	APPROX. WEIGHT	PALLET QTY.
Round Vault & Cover Assembly	32" x 48"	10K	8	A6000187AX48	416 lbs.	2
	32" x 48"	20K	15 / 22	A6000187TAX48 / A6000187HDAX48	416 lbs.	2

## COMPONENTS

DESCRIPTION	NOMINAL SIZE	LOAD RATING	ANSI TIER	PART NUMBER	APPROX. WEIGHT	PALLET QTY.
Replacement Cover	32"	10K / 20K	8 / 15 / 22	A6000188 / A6000188T / A6000188HD	32 lbs.	10
Replacement Vault	32" x 48"	10K / 20K	22	A6000187X48	335 lbs.	2

• For sizes not shown please contact Armorcast Products for more information. THIS PRODUCT IS LISTED TO APPLICABLE UL STANDARDS AND REQUIREMENTS BY UL.



# 27" & 32" ROUND PC VAULT ASSEMBLY

## STANDARD DIMENSIONS

ARMORCAST PRODUCTS COMPANY

POLYMER CONCRETE

27" DIAMETER / A6000182

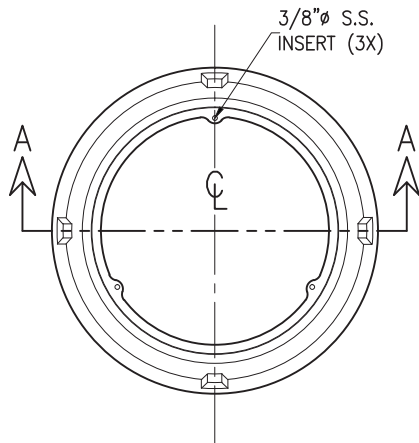
A6000182

A6000187

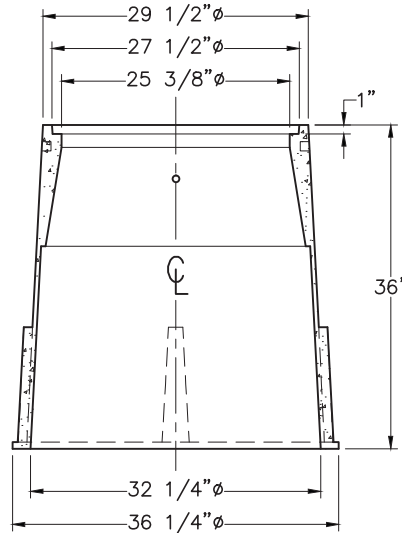


LISTED

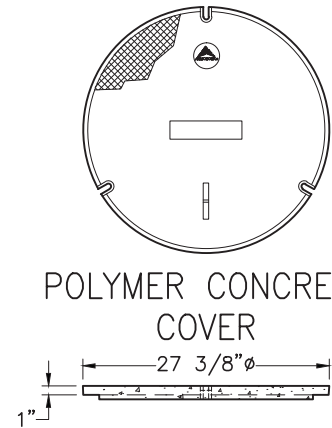
FILE #E364252



TOP VIEW

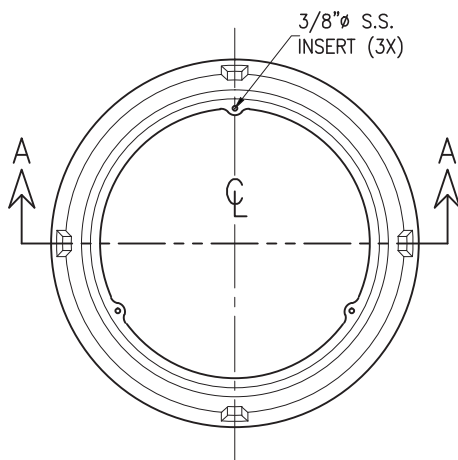


SECTION A-A

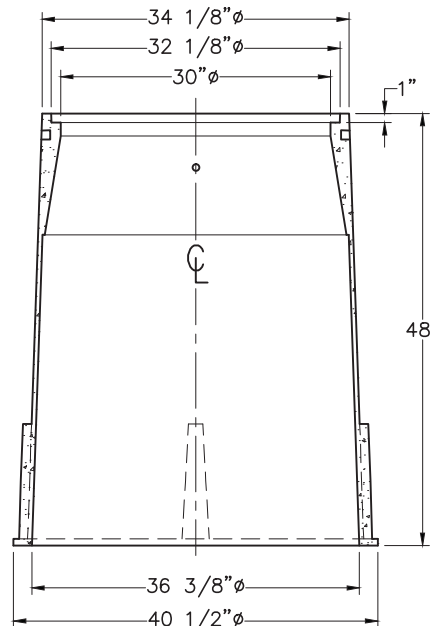


POLYMER CONCRETE COVER

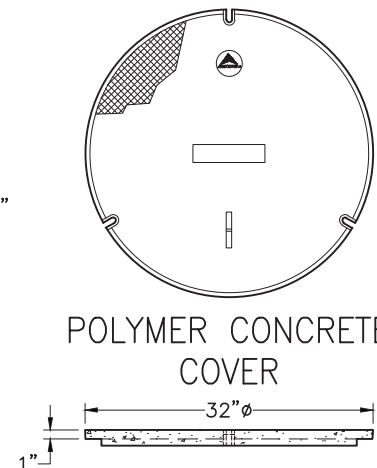
32" DIAMETER / A6000187



TOP VIEW



SECTION A-A



POLYMER CONCRETE COVER

Armorcast Products Company reserves the right to update or discontinue product information at any time without notice.

THIS PRODUCT IS LISTED TO APPLICABLE UL STANDARDS AND REQUIREMENTS BY UL.

[www.armorcastprod.com](http://www.armorcastprod.com)

Tel: (818) 982-3600 Fax: (818) 982-7742

POLYMER CONCRETE VAULTS & MANHOLE

# 28" ROUND VAULT ASSEMBLY



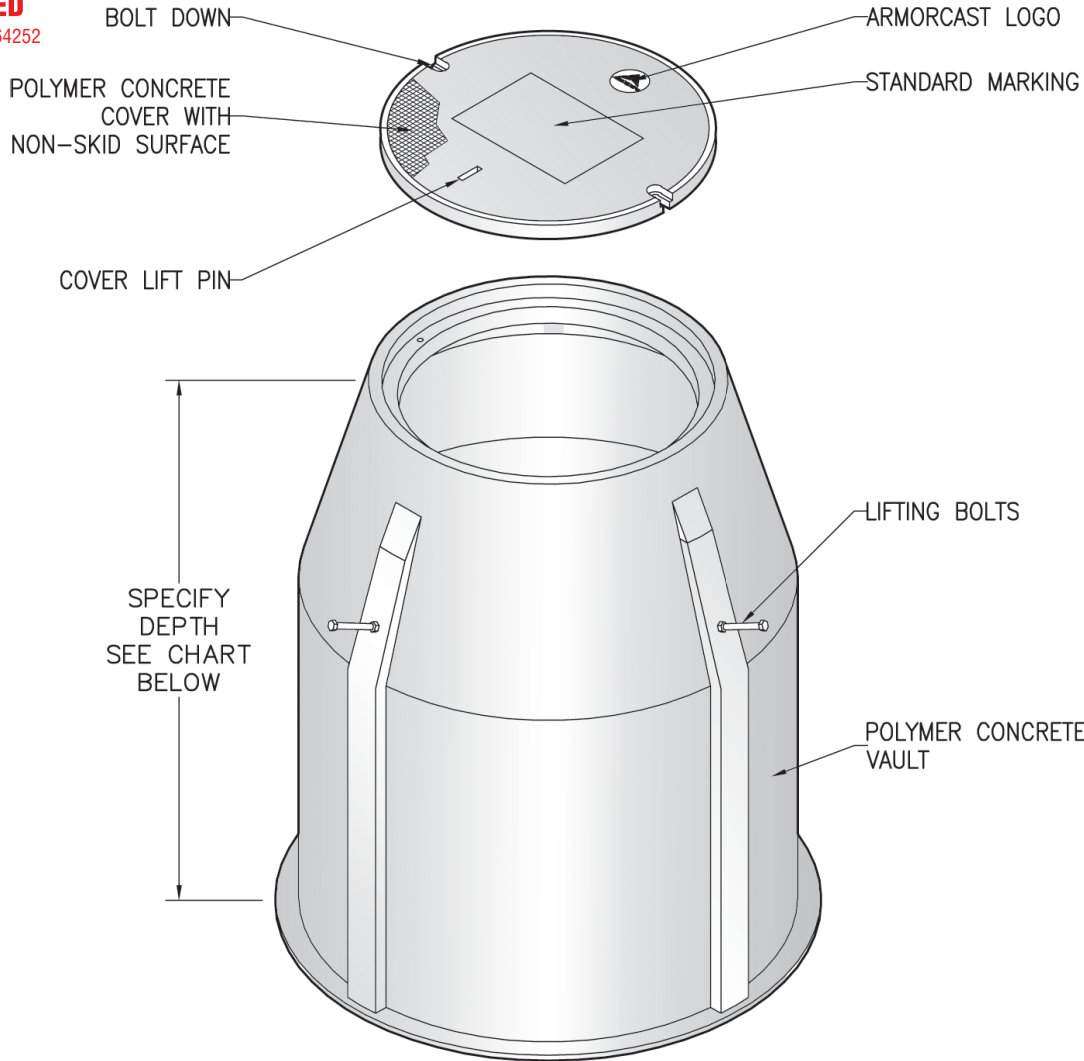
**POLYMER CONCRETE**

**ARMORCAST PRODUCTS COMPANY**

A6000178



**LISTED**  
FILE #E364252



POLYMER CONCRETE VAULTS & MANHOLE

## 28" DIA. VAULT ASSEMBLY

DESCRIPTION	NOMINAL SIZE DIA. X DEPTH	LOAD RATING	ANSI TIER	PART NUMBER	APPROX. WEIGHT	PALLET QTY.
Round Vault & Cover Assembly	28" x 48"	10K	8	A6000178APCX48	353lbs.	1
	28" x 48"	20K	15 / 22	A6000178TAPCX48 / A6000178HDAPCX48	353lbs.	1

## COMPONENTS

DESCRIPTION	NOMINAL SIZE	LOAD RATING	ANSI TIER	PART NUMBER	APPROX. WEIGHT	PALLET QTY.
Replacement Cover	28"	10K / 20K	8 / 15 / 22	A6000180 / A6000180T / A6000180HD	52 lbs.	10
Replacement Vault	28" x 48"	10K / 20K	22	A6000178PCX48	301 lbs.	1

• For sizes not shown please contact Armorcast Products for more information.

THIS PRODUCT IS LISTED TO APPLICABLE UL STANDARDS AND REQUIREMENTS BY UL.

[www.armorcastprod.com](http://www.armorcastprod.com)

Tel: (818) 982-3600 Fax: (818) 982-7742



# 28" ROUND PC VAULT ASSEMBLY

## STANDARD DIMENSIONS

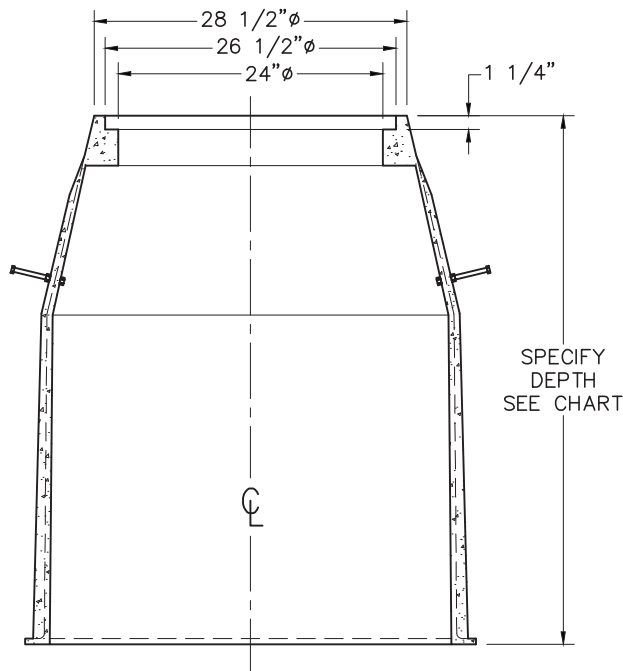
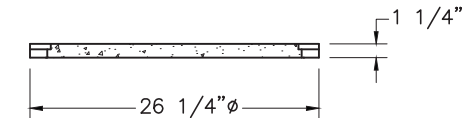
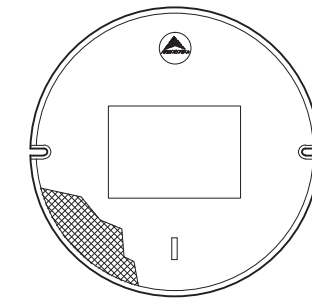
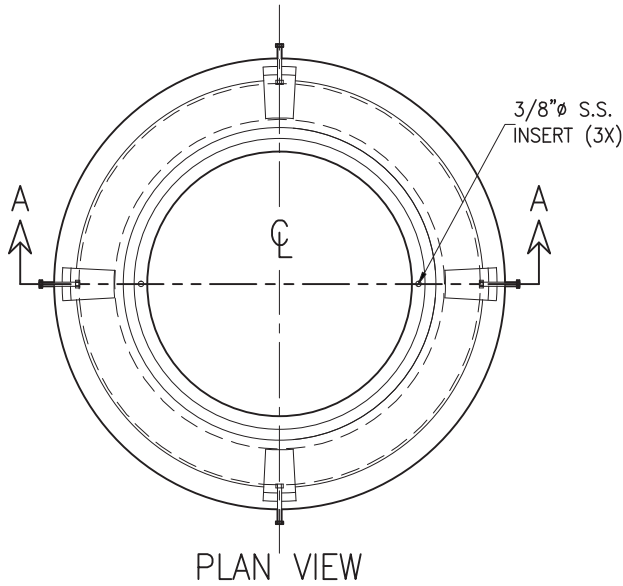
ARMORCAST PRODUCTS COMPANY

POLYMER CONCRETE

A6000178



FILE #E364252



SECTION A-A  
POLYMER CONCRETE SPLICE VAULT

POLYMER CONCRETE VAULTS & MANHOLE

Armorcast Products Company reserves the right to update or discontinue product information at any time without notice.

THIS PRODUCT IS LISTED TO APPLICABLE UL STANDARDS AND REQUIREMENTS BY UL.

[www.armorcastprod.com](http://www.armorcastprod.com)

Tel: (818) 982-3600 Fax: (818) 982-7742

# 32" ROUND VAULT ASSEMBLY

24" & 36"



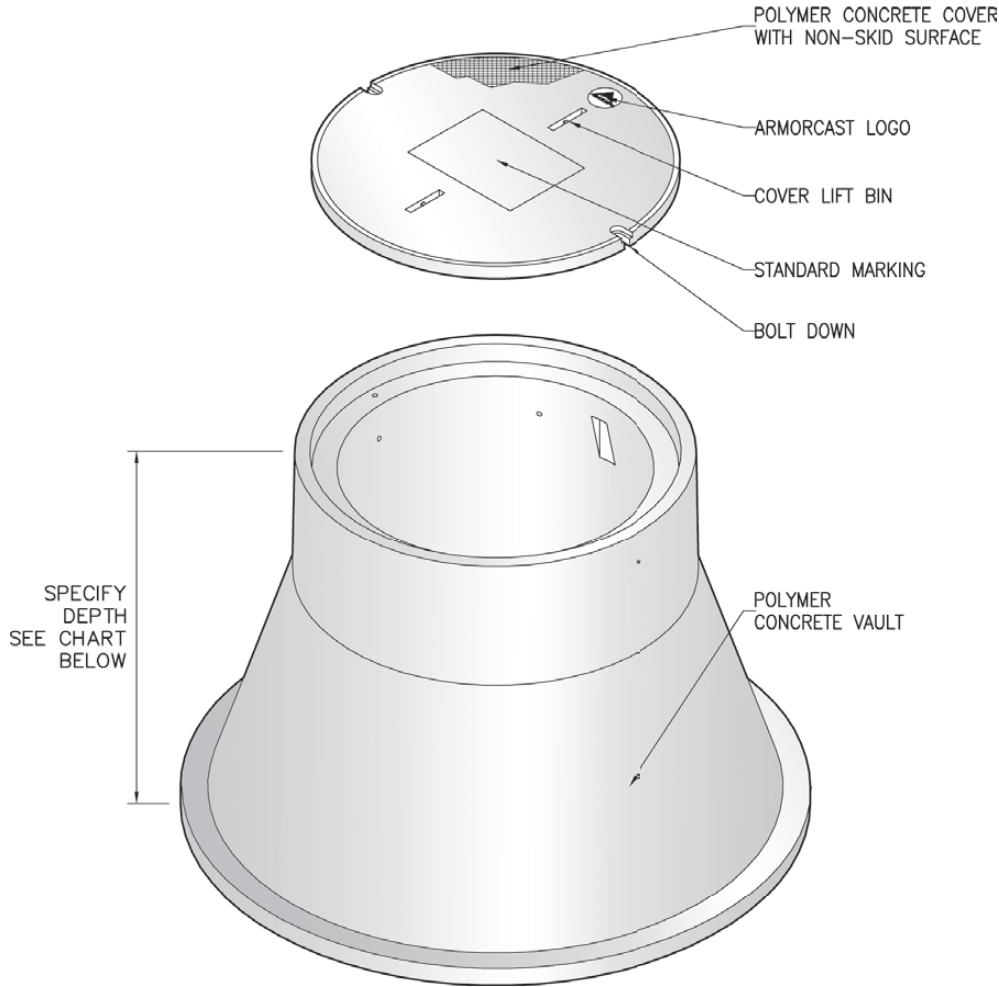
**POLYMER CONCRETE**

**ARMORCAST PRODUCTS COMPANY**

A6000185



LISTED  
FILE #E364252



POLYMER CONCRETE VAULTS & MANHOLE

## 32" DIA. VAULT ASSEMBLY

DESCRIPTION	NOMINAL SIZE DIA. X DEPTH	LOAD RATING	ANSI TIER	PART NUMBER	APPROX. WEIGHT	PALLET QTY.
Round Vault & Cover Assembly	32" x 24"	10K	8	A6000185AX24	376 lbs.	5
	32" x 24"	20K	15 / 22	A6000185TAX24 / A6000185HDAX24	442 lbs.	4
Round Vault & Cover Assembly	32" x 36"	10K	8	A6000185AX36	376 lbs.	5
	32" x 36"	20K	15 / 22	A6000185TAX36 / A6000185HDAX36	442 lbs.	4

## COMPONENTS

DESCRIPTION	NOMINAL SIZE	LOAD RATING	ANSI TIER	PART NUMBER	APPROX. WEIGHT	PALLET QTY.
Replacement Cover	32"	10K / 20K	8 / 15 / 22	A6000186 / A6000186T / A6000186HD	80 lbs.	10
Replacement Vault	32" x 24"	10K / 20K	22	A6000185X24	296 lbs.	5
Replacement Vault	32" x 36"	10K / 20K	22	A6000185X36	362 lbs.	4

• For sizes not shown please contact Armorcast Products for more information.

THIS PRODUCT IS LISTED TO APPLICABLE UL STANDARDS AND REQUIREMENTS BY UL.

[www.armorcastprod.com](http://www.armorcastprod.com)

Tel: (818) 982-3600 Fax: (818) 982-7742





# 32" ROUND PC VAULT ASSEMBLY

## STANDARD DIMENSIONS

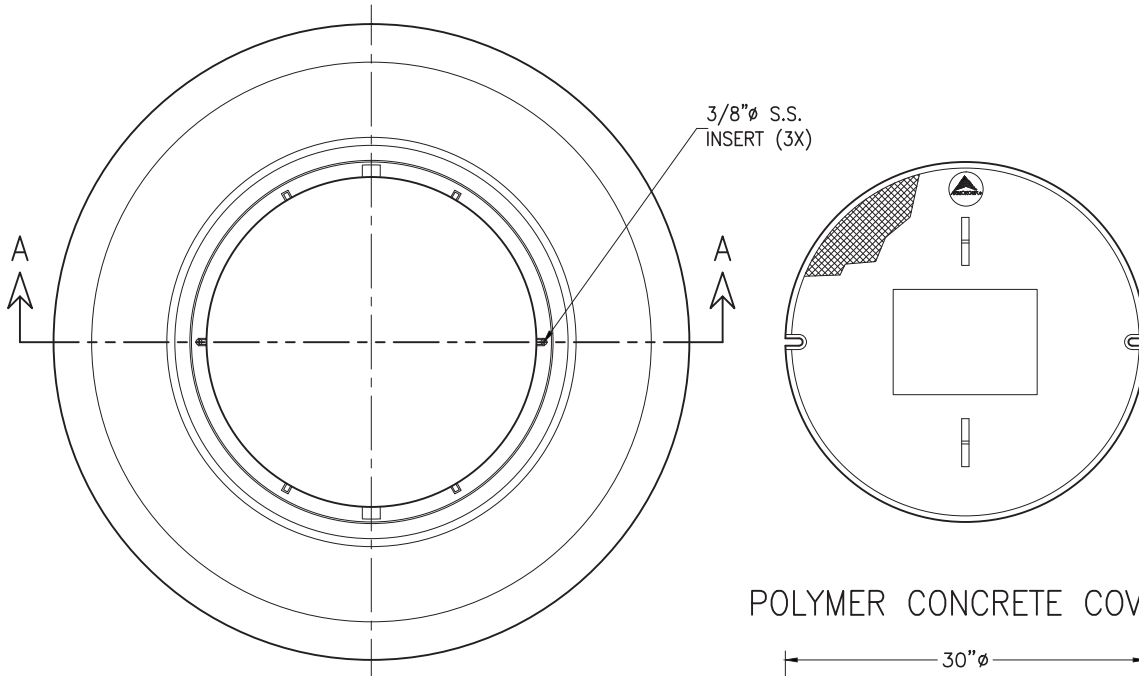
ARMORCAST PRODUCTS COMPANY

POLYMER CONCRETE

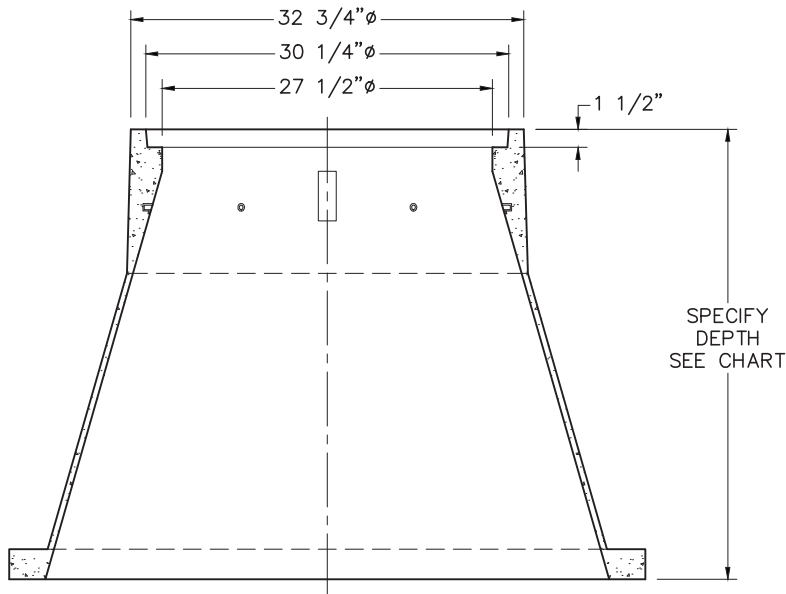
A6000185



LISTED  
FILE #E364252



PLAN VIEW



SECTION A-A

Armorcast Products Company reserves the right to update or discontinue product information at any time without notice.

THIS PRODUCT IS LISTED TO APPLICABLE UL STANDARDS AND REQUIREMENTS BY UL.

[www.armorcastprod.com](http://www.armorcastprod.com)

Tel: (818) 982-3600 Fax: (818) 982-7742

POLYMER CONCRETE  
VAULTS & MANHOLE

# FIBERGLASS BOX ASSEMBLIES



ARMORCAST PRODUCTS COMPANY

- Straight Wall
- Flared Wall

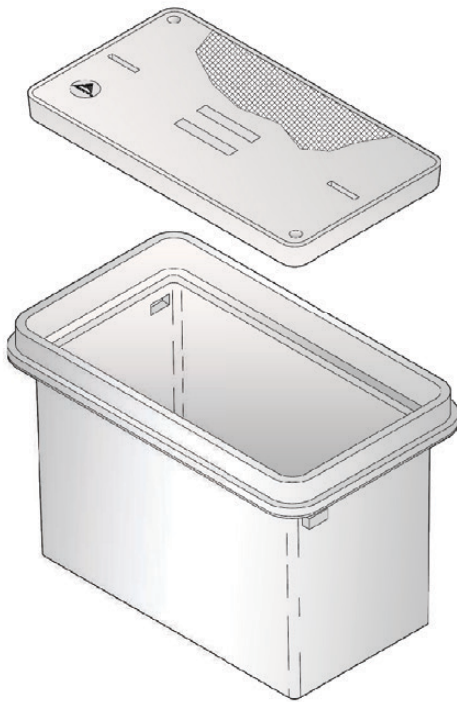


FIBERGLASS  
BOXES

## Fiberglass Box

Lightweight alternative to Polymer Concrete boxes. Easy to field cut, resists mildew and water absorption. Available in numerous sizes and depths. Straight wall or flared wall.

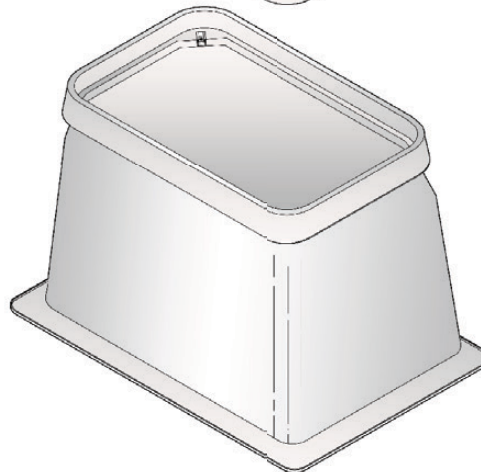
Meets all WUC and SCTE / ANSI 77 regulations. See "INSTALLATION INFORMATION" section for more details. See all cover variations in the "OPTIONS" section.



• **Straight Wall**



• **Flared Wall**



### APPLICATION USE

- Handholes
- Pull Boxes
- Valve Boxes
- Meter Boxes
- Splice Boxes
- Junction Boxes
- Water Pits & Boxes
- Traffic Signal Boxes
- Traffic Controller Bases



### OPTIONS

(See Options section for details)

- Mouseholes
- Knock Outs
- Locking Devices
- Terminators
- BMT brackets
- Inserts
- Hex or Penta Bolts
- EMS Markers
- Touch Read Covers
- AMR / AMI Covers.

### STANDARD or CUSTOM LOGOS

- Electric
- Telephone
- CATV
- Broadband
- Danger High Voltage
- Communication
- Fiber Optics
- Gas
- Water
- Railroad
- Traffic Signal
- Illumination
- Street Lighting

# 10" x 15" FRP FLARED BOX ASSEMBLY

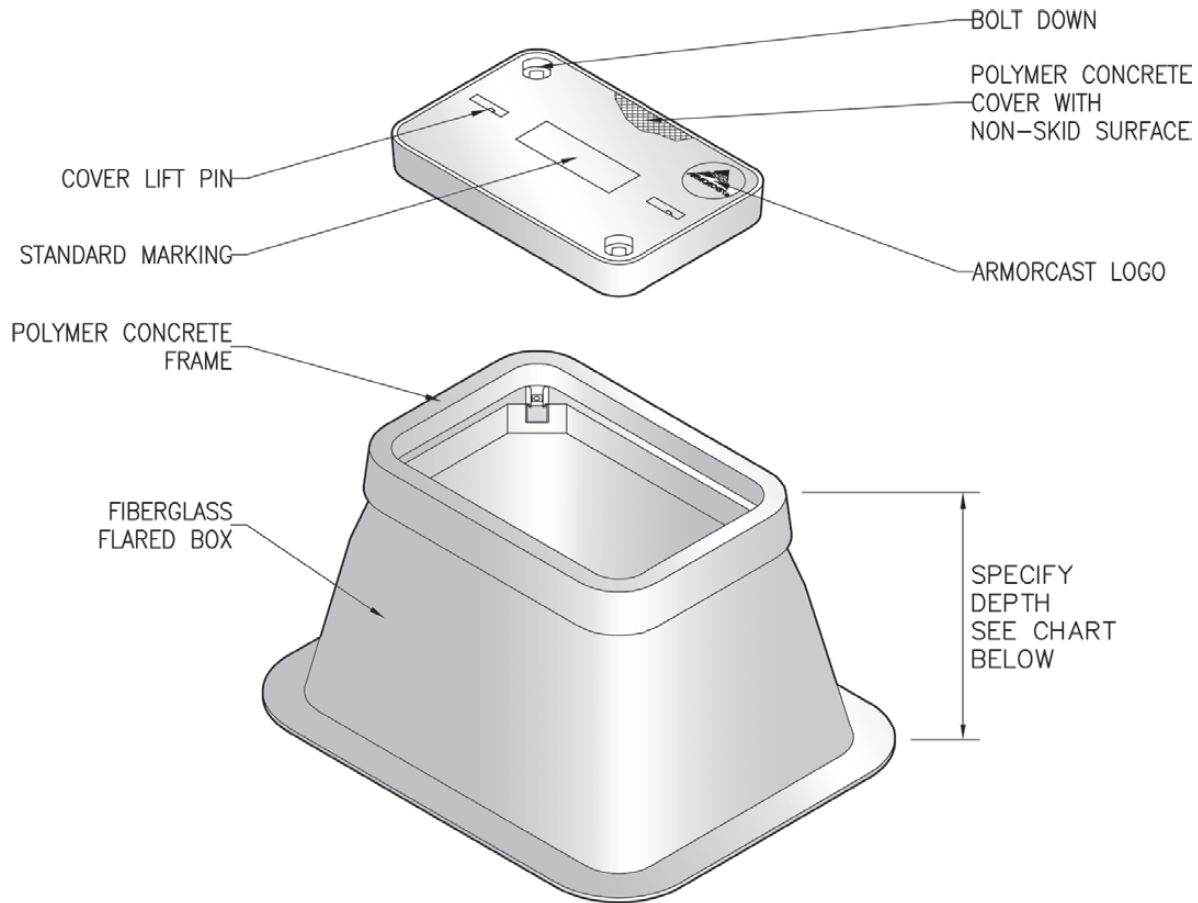
## 12" & 18" DEPTHS



**FIBERGLASS**

**ARMORCAST PRODUCTS COMPANY**

A6001923



### Specify Depth Below

DESCRIPTION	NOMINAL SIZE W x L x D	LOAD RATING	ANSI TIER	PART NUMBER	APPROX. WEIGHT	PALLET QTY.
Box & Cover Assembly	10" x 15" x 12"	10K	8	A6001923AX12	36 lbs.	40
	10" x 15" x 12"	20K	15	A6001923TAX12	43 lbs.	40
Box & Cover Assembly	10" x 15" x 18"	10K	8	A6001923AX18	44 lbs.	20
	10" x 15" x 18"	20K	15	A6001923TAX18	51 lbs.	20

### COMPONENTS

DESCRIPTION	NOMINAL SIZE W x L x D	LOAD RATING	ANSI TIER	PART NUMBER	APPROX. WEIGHT	PALLET QTY.
Replacement Covers	10" x 15"	10K	8	A6001922	11 lbs.	50
	10" x 15"	20K	15	A6001922T	18 lbs.	50
Replacement Boxes	10" x 15" x 12"	10K / 20K	8 / 15	A6001923X12	25 lbs.	40
	10" x 15" x 18"	10K / 20K	8 / 15	A6001923X18	33 lbs.	20

- Boxes are Open Bottom.
- For sizes not shown please contact Armorcast Products for more information

[www.armorcastprod.com](http://www.armorcastprod.com)

Tel: (818) 982-3600 Fax: (818) 982-7742



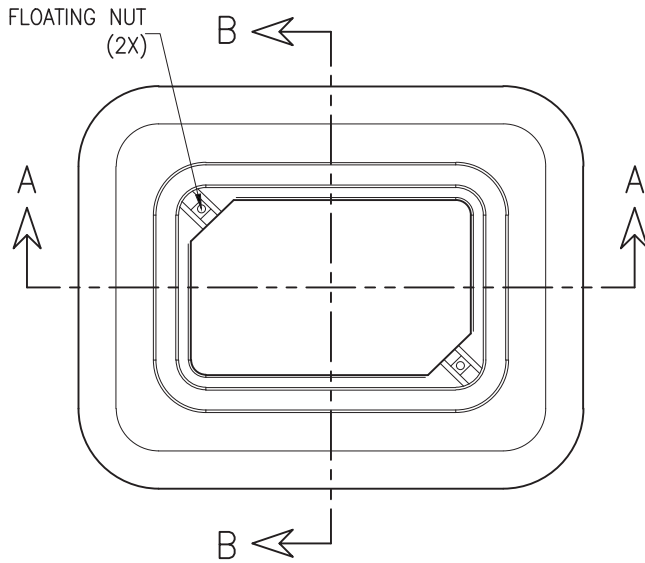
# 10" x 15" FRP FLARED BOX ASSEMBLY

## STANDARD DIMENSIONS

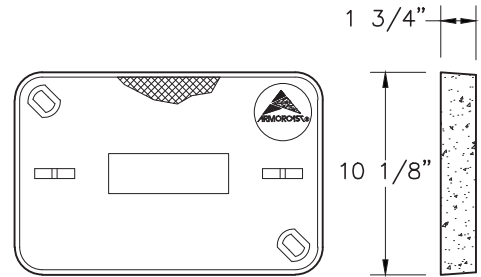
ARMORCAST PRODUCTS COMPANY

FIBERGLASS

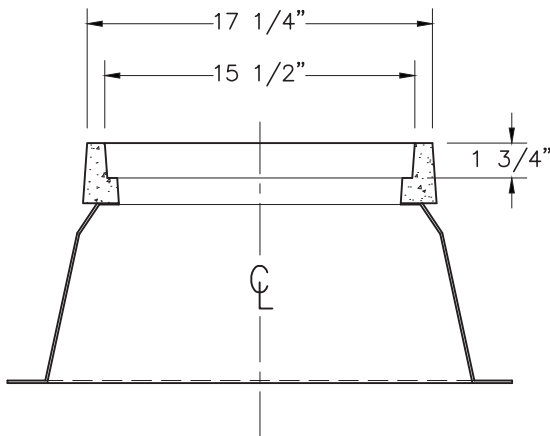
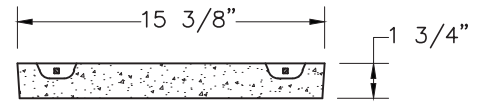
A6001923



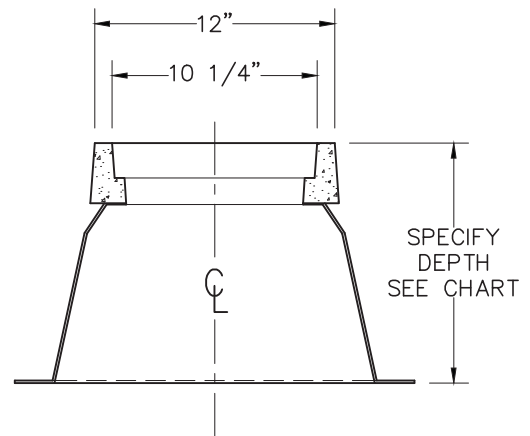
PLAN VIEW



POLYMER CONCRETE COVER



SECTION A-A



SECTION B-B

Armorcast Products Company reserves the right to update or discontinue product information at any time without notice.

[www.armorcastprod.com](http://www.armorcastprod.com)

Tel: (818) 982-3600 Fax: (818) 982-7742

FIBERGLASS  
BOXES

# 13" x 24" FRP BOX ASSEMBLY

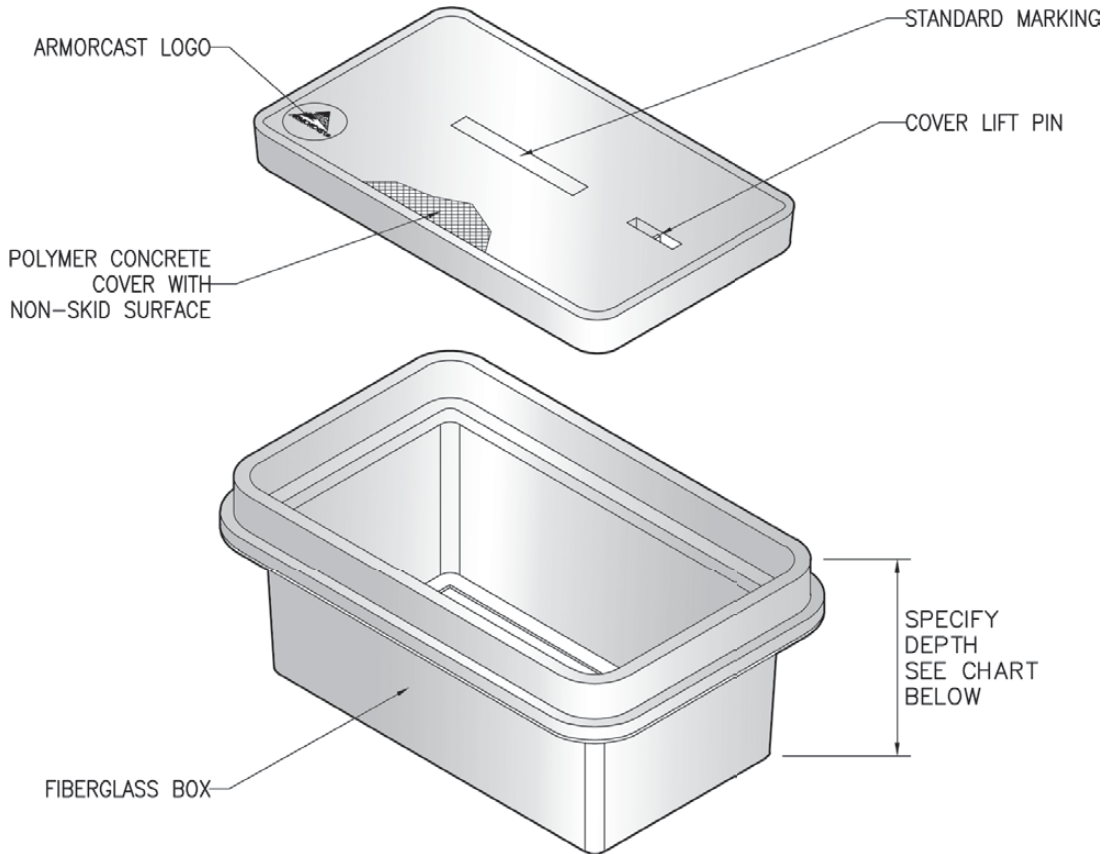
## 15" & 18" DEPTHS



**FIBERGLASS**

**ARMORCAST PRODUCTS COMPANY**

A6001868



### 13"W x 24"L FRP BOX ASSEMBLIES Specify Depth Below

DESCRIPTION	NOMINAL SIZE W x L x D	LOAD RATING	ANSI TIER	PART NUMBER	APPROX. WEIGHT	PALLET QTY.
Box & Cover Assembly	13" x 24" x 15"	10K	8	A6001868AX15	58 lbs.	15
	13" x 24" x 15"	20K	15	A6001868TAX15	66 lbs.	15
Box & Cover Assembly	13" x 24" x 18"	10K	8	A6001868AX18	66 lbs.	10
	13" x 24" x 18"	20K	15	A6001868TAX18	74 lbs.	10

### COMPONENTS

MORE COVER VARIATIONS ARE AVAILABLE IN OUR "COVER SECTION"

DESCRIPTION	NOMINAL SIZE W x L x D	LOAD RATING	ANSI TIER	PART NUMBER	APPROX. WEIGHT	PALLET QTY.
Replacement Covers	13" x 24"	10K	8	A6001866	33 lbs.	50
	13" x 24"	20K	15	A6001969	41 lbs.	50
Replacement Boxes	13" x 24" x 15"	10K / 20K	8 / 15	A6001868X15	25 lbs.	15
	13" x 24" x 18"	10K / 20K	8 / 15	A6001868X18	33 lbs.	10

- Boxes are Open Bottom.
- For sizes not shown please contact Armorcast Products for more information

[www.armorcastprod.com](http://www.armorcastprod.com)

Tel: (818) 982-3600 Fax: (818) 982-7742



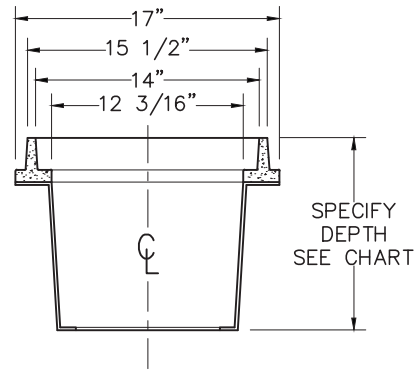
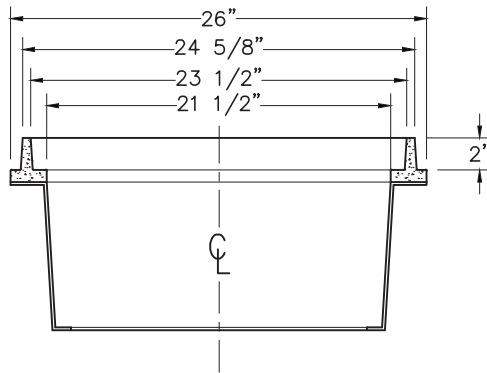
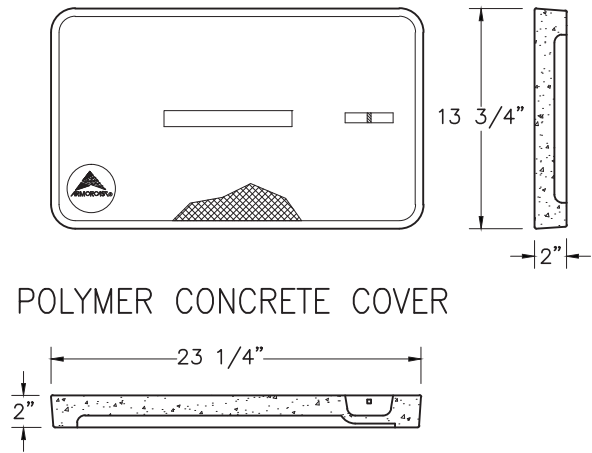
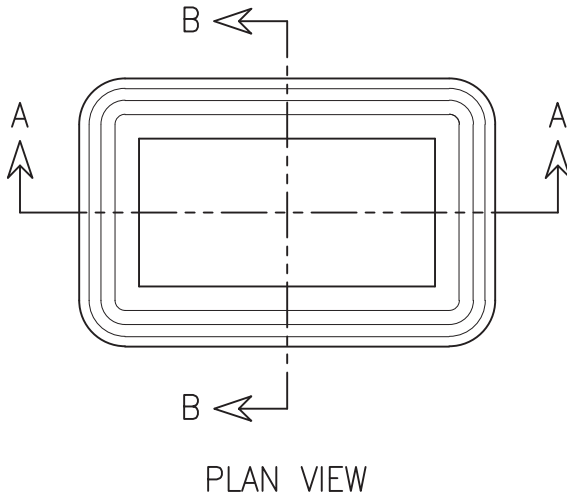
ARMORCAST PRODUCTS COMPANY

# 13" x 24" FRP BOX ASSEMBLY

## STANDARD DIMENSIONS

FIBERGLASS

A6001868



Armorcast Products Company reserves the right to update or discontinue product information at any time without notice.

[www.armorcastprod.com](http://www.armorcastprod.com)

Tel: (818) 982-3600 Fax: (818) 982-7742

FIBERGLASS  
BOXES

# 13" x 24" FRP FLARED BOX ASSEMBLY

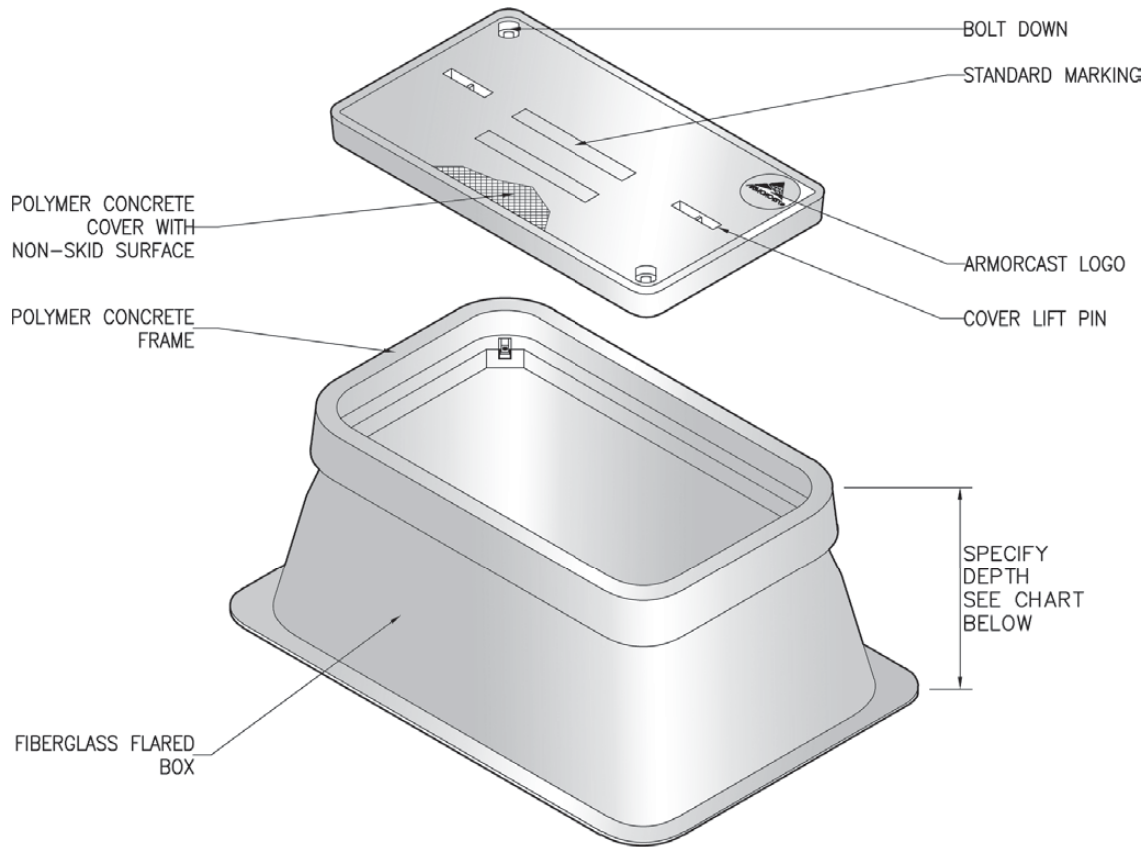
## 12" & 24" DEPTHS



**FIBERGLASS**

**ARMORCAST PRODUCTS COMPANY**

A6001946



### 13"W x 24"L FRP FLARED BOX ASSEMBLIES Specify Depth Below

DESCRIPTION	NOMINAL SIZE W x L x D	LOAD RATING	ANSI TIER	PART NUMBER	APPROX. WEIGHT	PALLET QTY.
Box & Cover Assembly	13" x 24" x 12"	10K	8	A6001946AX12	70 lbs.	16
	13" x 24" x 12"	20K	15	A6001946TAX12	81 lbs.	16
Box & Cover Assembly	13" x 24" x 18"	10K	8	A6001946AX18	74 lbs.	16
	13" x 24" x 18"	20K	15	A6001946TAX18	85 lbs.	16
Box & Cover Assembly	13" x 24" x 24"	10K	8	A6001946AX24	87 lbs.	12
	13" x 24" x 24"	20K	15	A6001946TAX24	98 lbs.	12

### COMPONENTS

DESCRIPTION	NOMINAL SIZE W x L x D	LOAD RATING	ANSI TIER	PART NUMBER	APPROX. WEIGHT	PALLET QTY.
Replacement Covers	13" x 24"	10K	8	A6001866	33 lbs.	50
	13" x 24"	20K	15	A6001969	41 lbs.	50
Replacement Boxes	13" x 24" x 12"	10K / 20K	8 / 15	A6001946X12	36 lbs.	16
	13" x 24" x 18"	10K / 20K	8 / 15	A6001946X18	46 lbs.	16
	13" x 24" x 24"	10K / 20K	8 / 15	A6001946X24	58 lbs.	12
Extensions 18" Boxes Only	13" x 24" x 8"	10K / 20K	8 / 15	A6001946EX8	31 lbs.	16
	13" x 24" x 16"	10K / 20K	8 / 15	A6001946EX16	43 lbs.	8

- Boxes are Open Bottom.
- For sizes not shown please contact Armorcast Products for more information

[www.armorcastprod.com](http://www.armorcastprod.com)

Tel: (818) 982-3600 Fax: (818) 982-7742





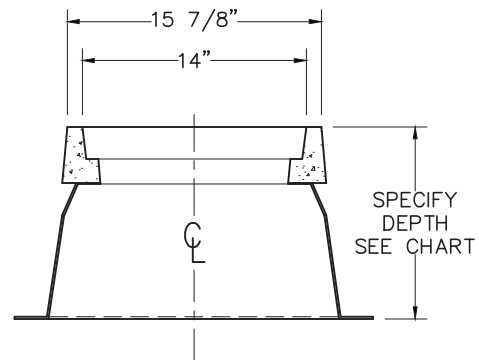
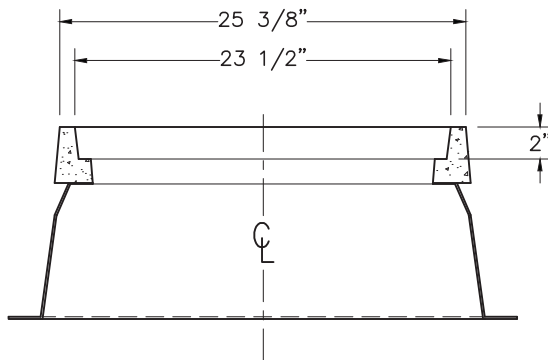
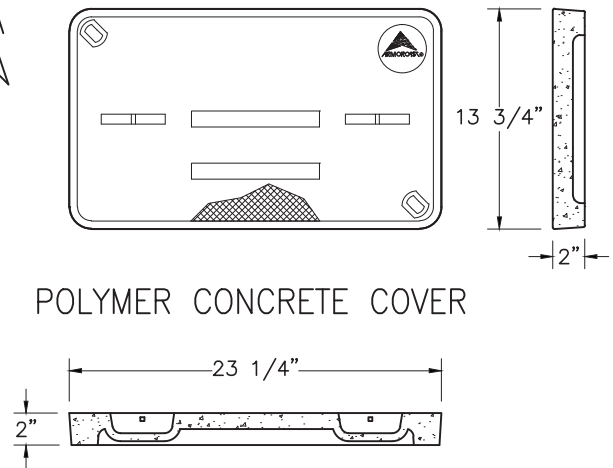
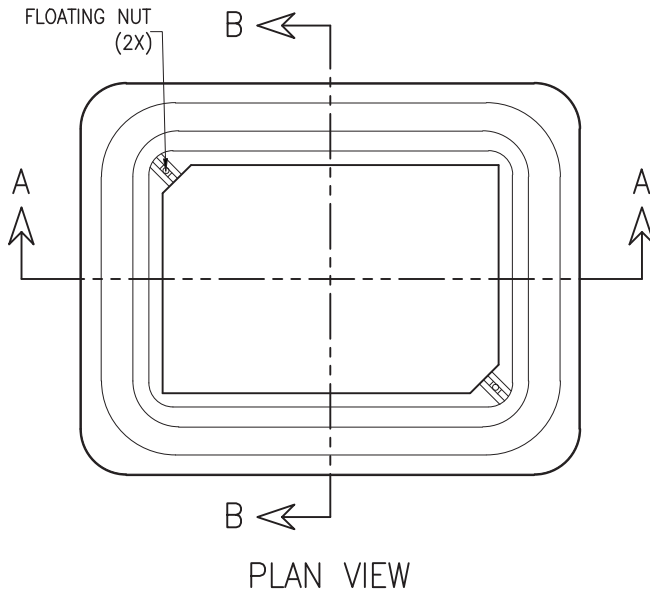
# 13" x 24" FRP FLARED BOX ASSEMBLY

## STANDARD DIMENSIONS

ARMORCAST PRODUCTS COMPANY

FIBERGLASS

A6001946



Armorcast Products Company reserves the right to update or discontinue product information at any time without notice.

[www.armorcastprod.com](http://www.armorcastprod.com)

Tel: (818) 982-3600 Fax: (818) 982-7742

FIBERGLASS  
BOXES

# 17" x 30" FRP BOX ASSEMBLY

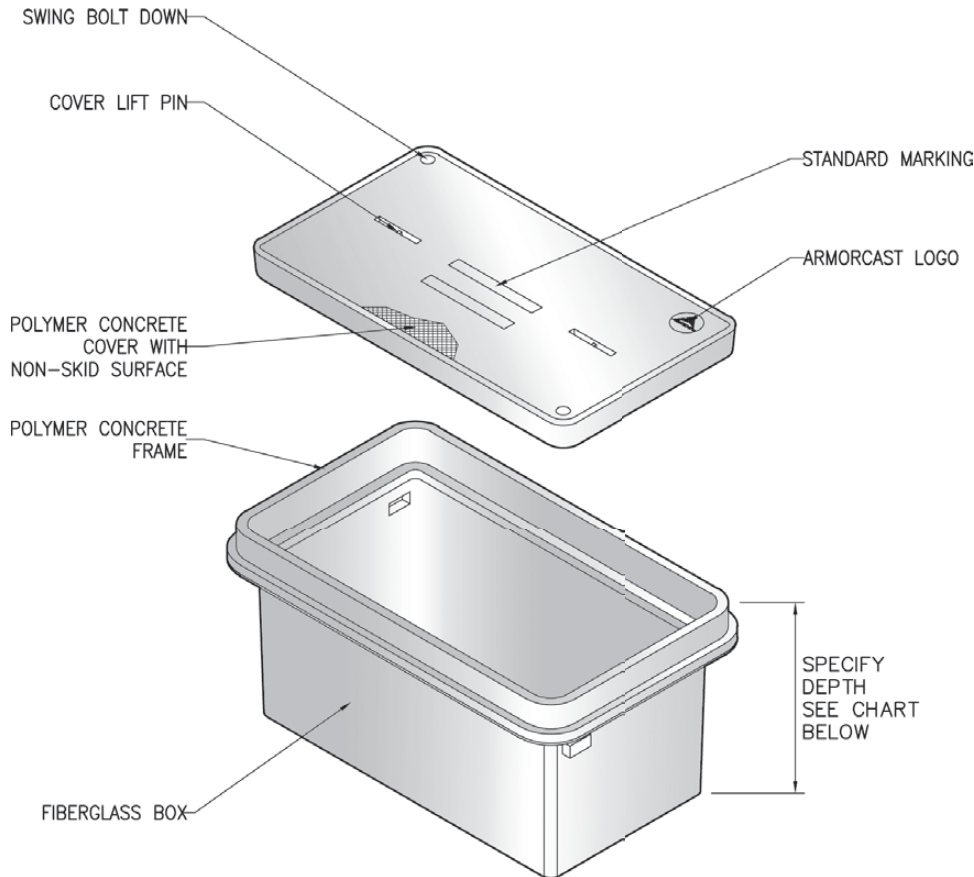
## 18" to 30" DEPTHS



**FIBERGLASS**

**ARMORCAST PRODUCTS COMPANY**

A6001785 / A6001534 / A6001989



### 17"W x 30"L FRP BOX ASSEMBLIES Specify Depth Below

DESCRIPTION	NOMINAL SIZE W x L x D	LOAD RATING	ANSI TIER	PART NUMBER	APPROX. WEIGHT	PALLET QTY.
Box & Cover Assembly	17" x 30" x 18"	10K	8	A6001785AX18	86 lbs.	6
	17" x 30" x 18"	20K	15	A6001785TAX18	112 lbs.	6
Box & Cover Assembly	17" x 30" x 22"	10K	8	A6001534AX22	94 lbs.	6
	17" x 30" x 22"	20K	15	A6001534TAX22	120 lbs.	6
Box & Cover Assembly	17" x 30" x 30"	10K	8	A6001989AX30	105 lbs.	3
	17" x 30" x 30"	20K	15	A6001989TAX30	131 lbs.	3

### COMPONENTS

MORE COVER VARIATIONS ARE AVAILABLE IN OUR "COVER SECTION"

DESCRIPTION	NOMINAL SIZE W x L x D	LOAD RATING	ANSI TIER	PART NUMBER	APPROX. WEIGHT	PALLET QTY.
Replacement Covers	17" x 30"	10K	8	A6001643	44 lbs.	30
	17" x 30"	20K	15	A6001947T	70 lbs.	30
Replacement Boxes	17" x 30" x 15"	10K / 20K	8 / 15	A6001785X18	42 lbs.	6
	17" x 30" x 22"	10K / 20K	8 / 15	A6001534X22	50 lbs.	6
	17" x 30" x 30"	10K / 20K	8 / 15	A6001989X30	61 lbs.	3

- Boxes are Open Bottom.
- For sizes not shown please contact Armorcast Products for more information

[www.armorcastprod.com](http://www.armorcastprod.com)

Tel: (818) 982-3600 Fax: (818) 982-7742



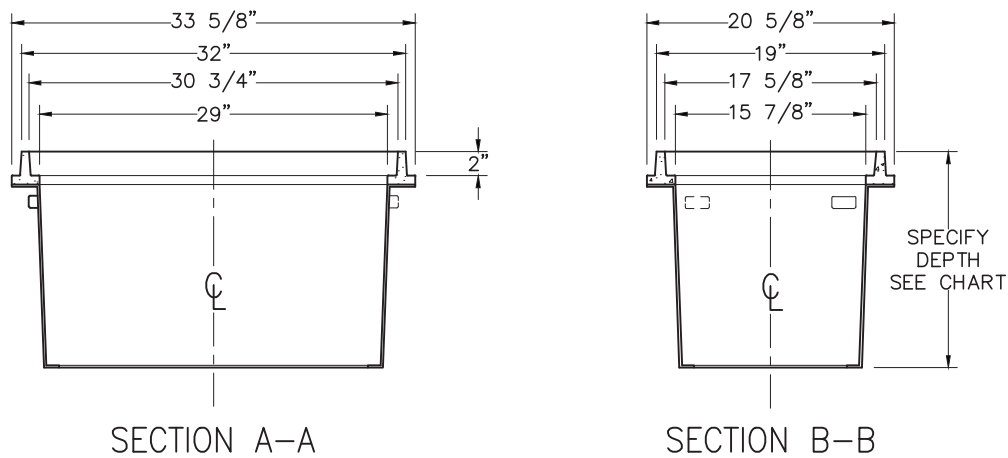
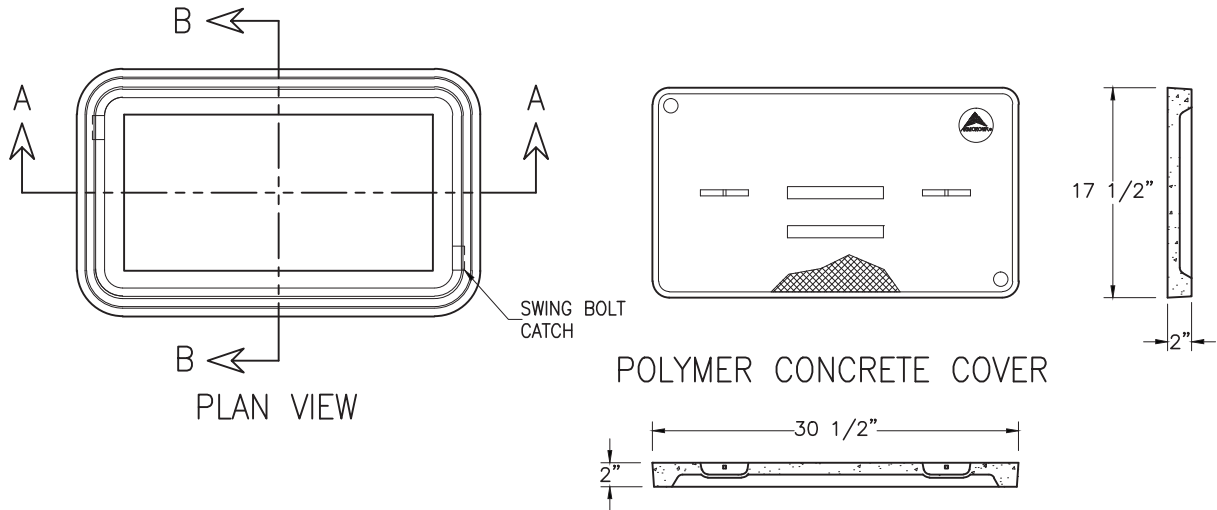
# 17" x 30" FRP BOX ASSEMBLY

## STANDARD DIMENSIONS

ARMORCAST PRODUCTS COMPANY

FIBERGLASS

A6001785 / A6001534 / A6001989



Armorcast Products Company reserves the right to update or discontinue product information at any time without notice.

[www.armorcastprod.com](http://www.armorcastprod.com)

Tel: (818) 982-3600 Fax: (818) 982-7742

FIBERGLASS  
BOXES

# 17" x 30" FRP FLARED BOX ASSEMBLY

## 12" to 30" DEPTHS

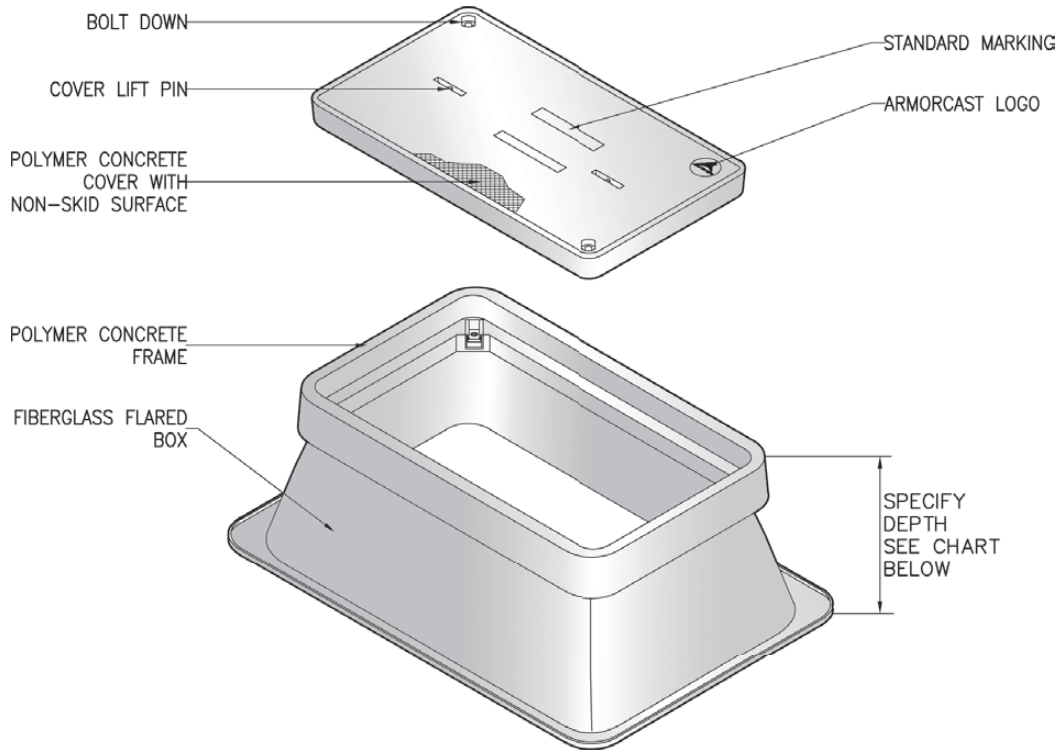


**FIBERGLASS**

**ARMORCAST PRODUCTS COMPANY**

A6001640

A6001946



### 17"W x 30"L FRP FLARED BOX ASSEMBLIES Specify Depth Below

DESCRIPTION	NOMINAL SIZE W x L x D	LOAD RATING	ANSI TIER	PART NUMBER	APPROX. WEIGHT	PALLET QTY.
Box & Cover Assembly	17" x 30" x 12"	10K	8	A6001640AX12	84 lbs.	16
	17" x 30" x 12"	20K	15	A6001640TAX12	112 lbs.	16
Box & Cover Assembly	17" x 30" x 18"	10K	8	A6001640AX18	93 lbs.	16
	17" x 30" x 18"	20K	15	A6001640TAX18	123 lbs.	16
Box & Cover Assembly	17" x 30" x 24"	10K	8	A6001640AX24	109 lbs.	12
	17" x 30" x 24"	20K	15	A6001640TAX24	142 lbs.	12
Box & Cover Assembly	17" x 30" x 30"	10K	8	A6001640AX30	126 lbs.	10
	17" x 30" x 30"	20K	15	A6001640TAX30	157 lbs.	10

### COMPONENTS

DESCRIPTION	NOMINAL SIZE W x L x D	LOAD RATING	ANSI TIER	PART NUMBER	APPROX. WEIGHT	PALLET QTY.
Replacement Covers	17" x 30"	10K	8	A6001643	44 lbs.	30
	17" x 30"	20K	15	A6001947T	70 lbs.	30
Replacement Boxes	17" x 30" x 12"	10K / 20K	8 / 15	A6001640X12	40 lbs.	16
	17" x 30" x 18"	10K / 20K	8 / 15	A6001640X18	49 lbs.	16
	17" x 30" x 24"	10K / 20K	8 / 15	A6001640X24	65 lbs.	12
	17" x 30" x 30"	10K / 20K	8 / 15	A6001640X30	82 lbs.	12
Extensions 18" Boxes Only	17" x 30" x 8"	10K / 20K	8 / 15	A6001640EX8	38 lbs.	16
	17" x 30" x 16"	10K / 20K	8 / 15	A6001640EX16	48 lbs.	8

- Boxes are Open Bottom.
- For sizes not shown please contact Armorcast Products for more information

[www.armorcastprod.com](http://www.armorcastprod.com)

Tel: (818) 982-3600 Fax: (818) 982-7742



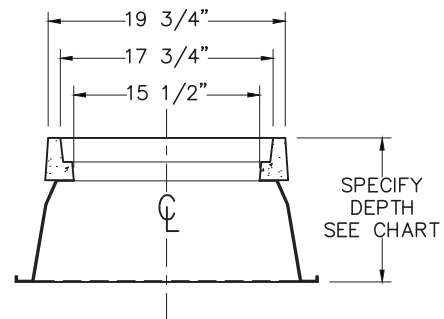
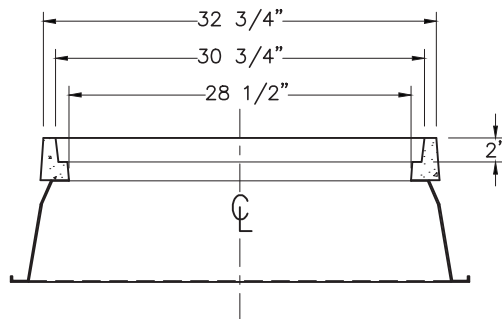
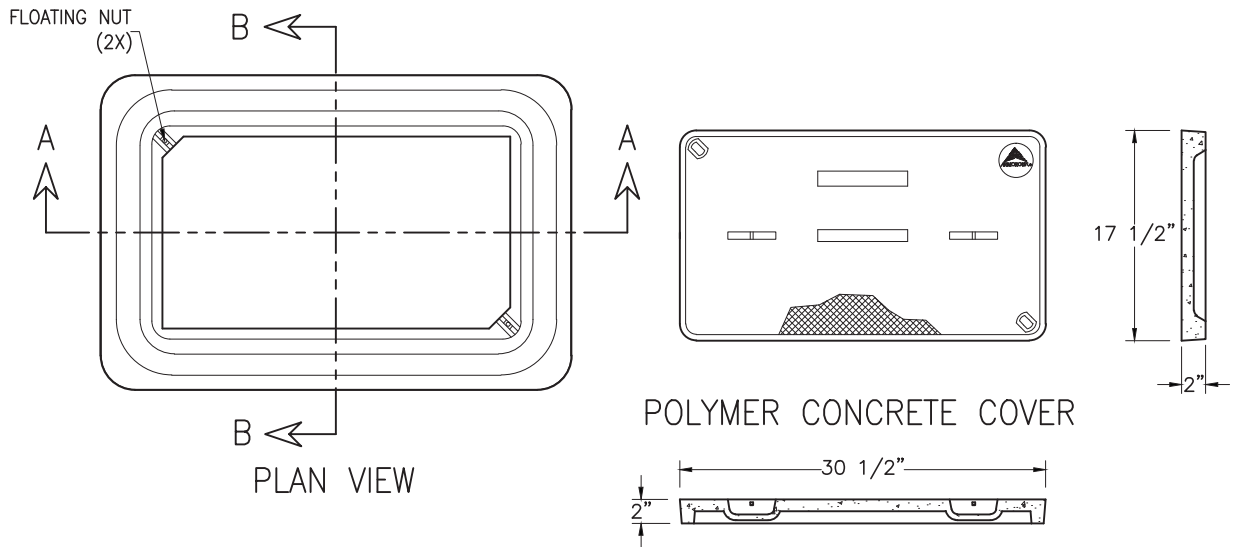
# 17" x 30" FRP FLARED BOX ASSEMBLY

## STANDARD DIMENSIONS

ARMORCAST PRODUCTS COMPANY

FIBERGLASS

A6001640



Armorcast Products Company reserves the right to update or discontinue product information at any time without notice.

[www.armorcastprod.com](http://www.armorcastprod.com)

Tel: (818) 982-3600 Fax: (818) 982-7742

# 24" x 36" FRP BOX ASSEMBLY

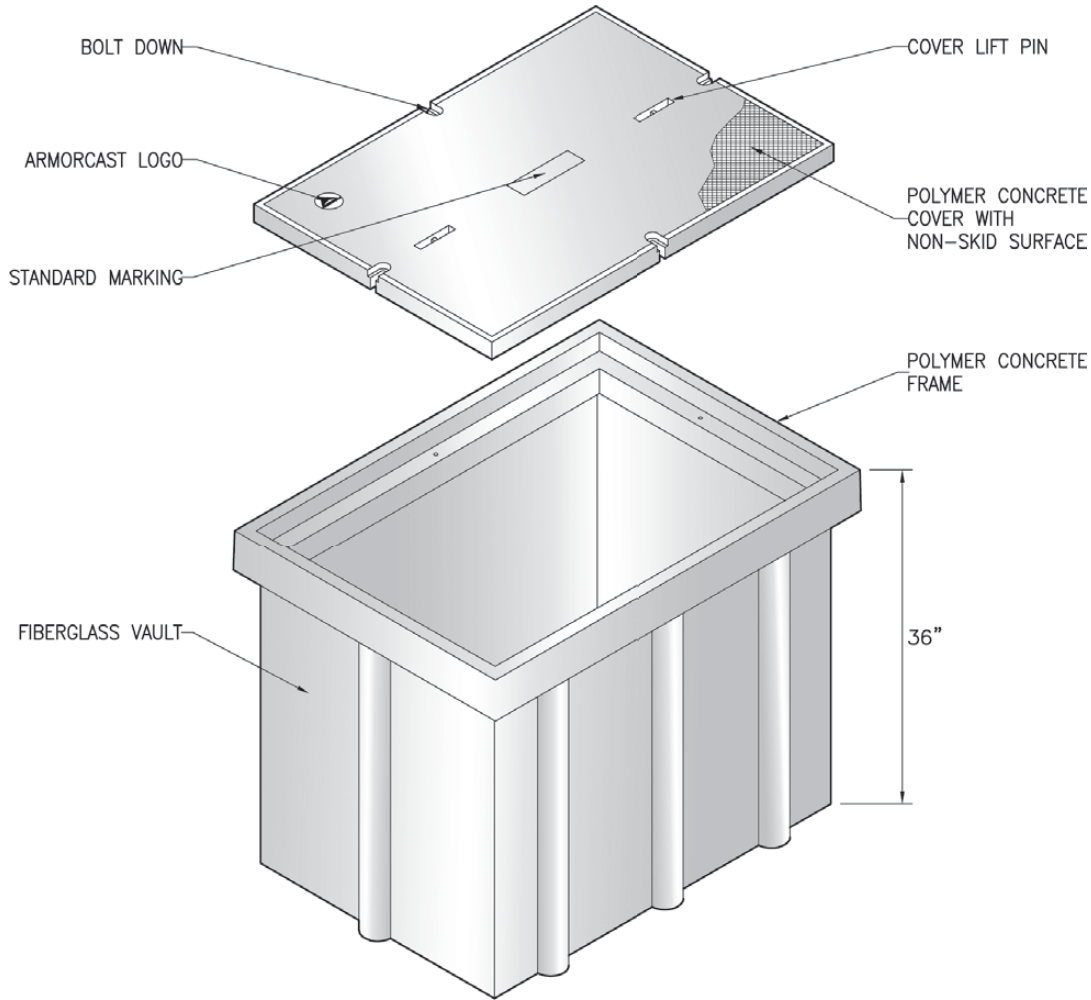
## 36" DEPTH



### FIBERGLASS

### ARMORCAST PRODUCTS COMPANY

A6001509



### 24"W x 36"L FRP BOX ASSEMBLIES Specify Depth Below

DESCRIPTION	NOMINAL SIZE W x L x D	LOAD RATING	ANSI TIER	PART NUMBER	APPROX. WEIGHT	PALLET QTY.
Box & Cover Assembly	24" x 36" x 36"	10K	8	A6001509AX36	257 lbs.	1
	24" x 36" x 36"	20K	15	A6001509TAX36	257 lbs.	1

### COMPONENTS

MORE COVER VARIATIONS ARE AVAILABLE IN OUR "COVER SECTION"

DESCRIPTION	NOMINAL SIZE W x L x D	LOAD RATING	ANSI TIER	PART NUMBER	APPROX. WEIGHT	PALLET QTY.
Replacement Covers	24" x 36"	10K	8	A6001670	122 lbs.	10
	24" x 36"	20K	15	A6001670T	122 lbs.	10
Replacement Boxes	24" x 36" x 36"	10K / 20K	8 / 15	A6001509X36F	135 lbs.	1

- Boxes are Open Bottom.
- For sizes not shown please contact Armorcast Products for more information

[www.armorcastprod.com](http://www.armorcastprod.com)

Tel: (818) 982-3600 Fax: (818) 982-7742



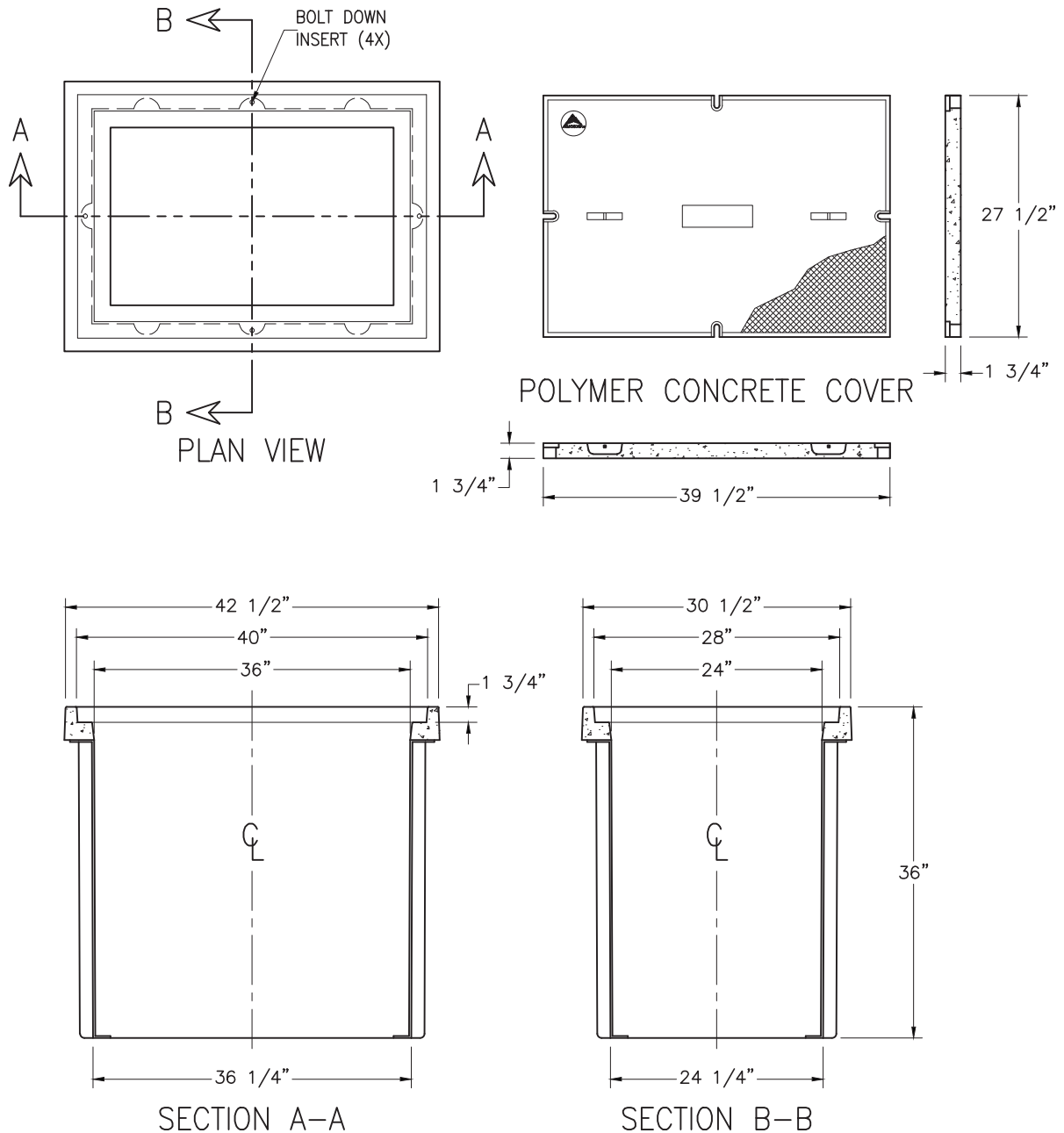
# 24" x 36" FRP BOX ASSEMBLY

## STANDARD DIMENSIONS

ARMORCAST PRODUCTS COMPANY

FIBERGLASS

A6001509



Armorcast Products Company reserves the right to update or discontinue product information at any time without notice.

[www.armorcastprod.com](http://www.armorcastprod.com)

Tel: (818) 982-3600 Fax: (818) 982-7742

# 24" x 36" FRP FLARED BOX ASSEMBLY

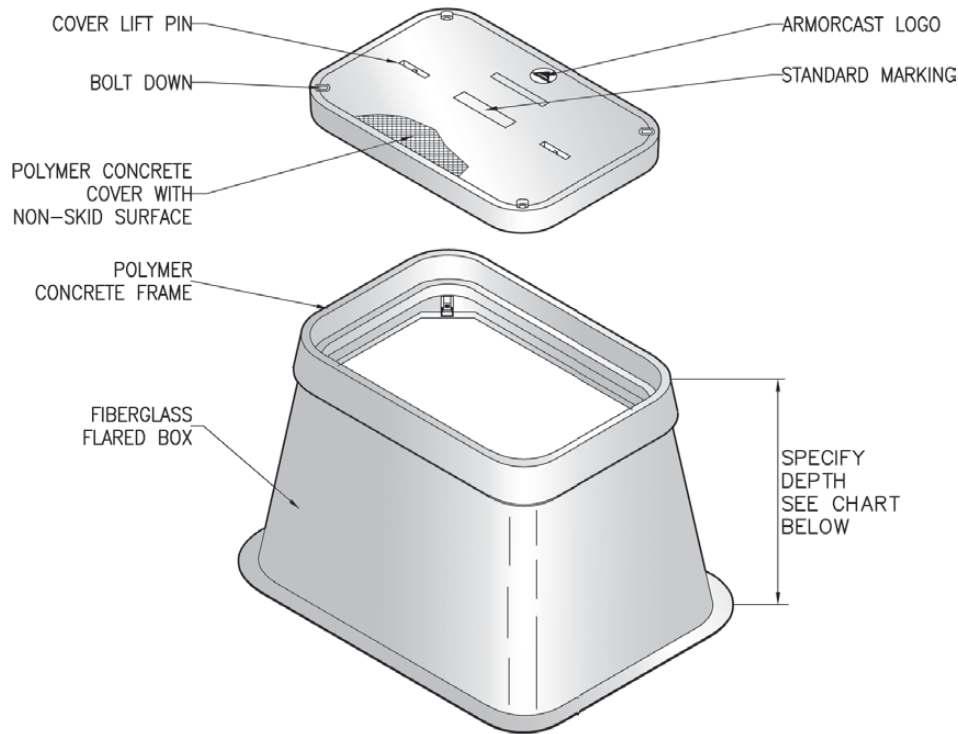
## 18" to 36" DEPTHS



**FIBERGLASS**

**ARMORCAST PRODUCTS COMPANY**

A6001974



### 24"W x 36"L FRP FLARED BOX ASSEMBLIES Specify Depth Below

DESCRIPTION	NOMINAL SIZE W x L x D	LOAD RATING	ANSI TIER	PART NUMBER	APPROX. WEIGHT	PALLET QTY.
Box & Cover Assembly	24" x 36" x 18"	10K	8	A6001974AX18	173 lbs.	5
	24" x 36" x 18"	20K	15	A6001974TAX18	242 lbs.	5
Box & Cover Assembly	24" x 36" x 24"	10K	8	A6001974AX24	174 lbs.	5
	24" x 36" x 24"	20K	15	A6001974TAX24	241 lbs.	5
Box & Cover Assembly	24" x 36" x 30"	10K	8	A6001974AX30	207 lbs.	5
	24" x 36" x 30"	20K	15	A6001974TAX30	276 lbs.	5
Box & Cover Assembly	24" x 36" x 36"	10K	8	A6001974AX36	210 lbs.	5
	24" x 36" x 36"	20K	15	A6001974TAX36	280 lbs.	5

### COMPONENTS

DESCRIPTION	NOMINAL SIZE W x L x D	LOAD RATING	ANSI TIER	PART NUMBER	APPROX. WEIGHT	PALLET QTY.
Replacement Covers	24" x 36"	10K	8	A6001975	95 lbs.	20
	24" x 36"	20K	15	A6001975T	157 lbs.	20
Replacement Boxes	24" x 36" x 18"	10K / 20K	8 / 15	A6001974X18	78 lbs.	5
	24" x 36" x 24"	10K / 20K	8 / 15	A6001974X24	79 lbs.	5
	24" x 36" x 30"	10K / 20K	8 / 15	A6001974X30	112 lbs.	5
	24" x 36" x 36"	10K / 20K	8 / 15	A6001974X36	115 lbs.	5
Extensions 18" Boxes Only	24" x 36" x 8"	10K / 20K	8 / 15	A6001974EX8	50 lbs.	5
	24" x 36" x 16"	10K / 20K	8 / 15	A6001974EX16	62 lbs.	3

- Boxes are Open Bottom.
- For sizes not shown please contact Armorcast Products for more information

[www.armorcastprod.com](http://www.armorcastprod.com)

Tel: (818) 982-3600 Fax: (818) 982-7742





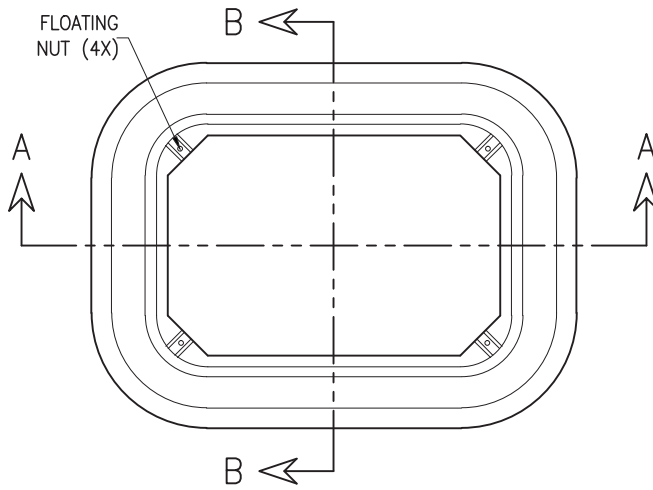
# 24" x 36" FRP FLARED BOX ASSEMBLY

## STANDARD DIMENSIONS

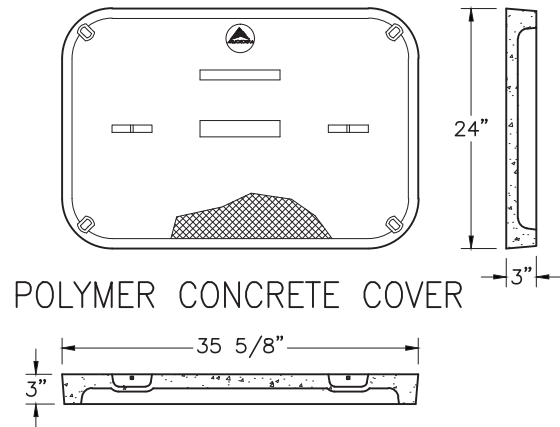
ARMORCAST PRODUCTS COMPANY

FIBERGLASS

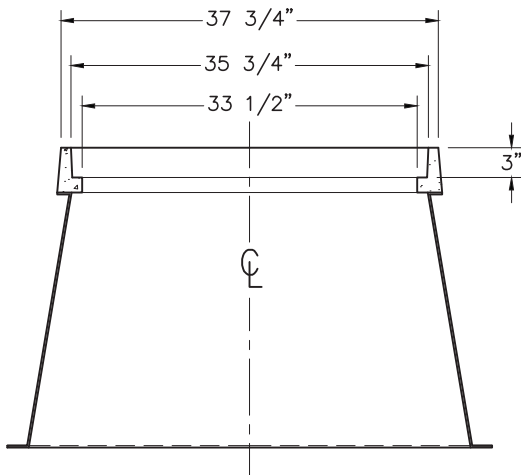
A6001974



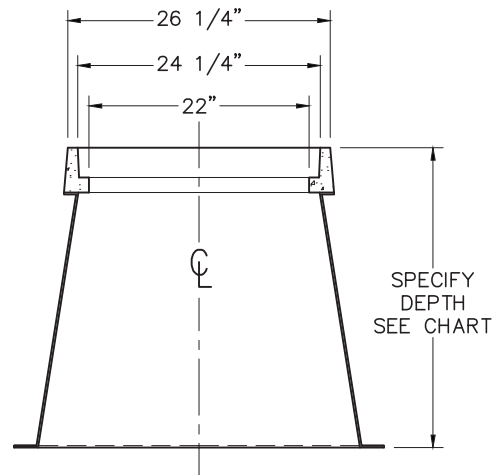
PLAN VIEW



POLYMER CONCRETE COVER



SECTION A-A



SECTION B-B

Armorcast Products Company reserves the right to update or discontinue product information at any time without notice.

[www.armorcastprod.com](http://www.armorcastprod.com)

Tel: (818) 982-3600 Fax: (818) 982-7742

FIBERGLASS  
BOXES

# 30" x 48" FRP BOX ASSEMBLY

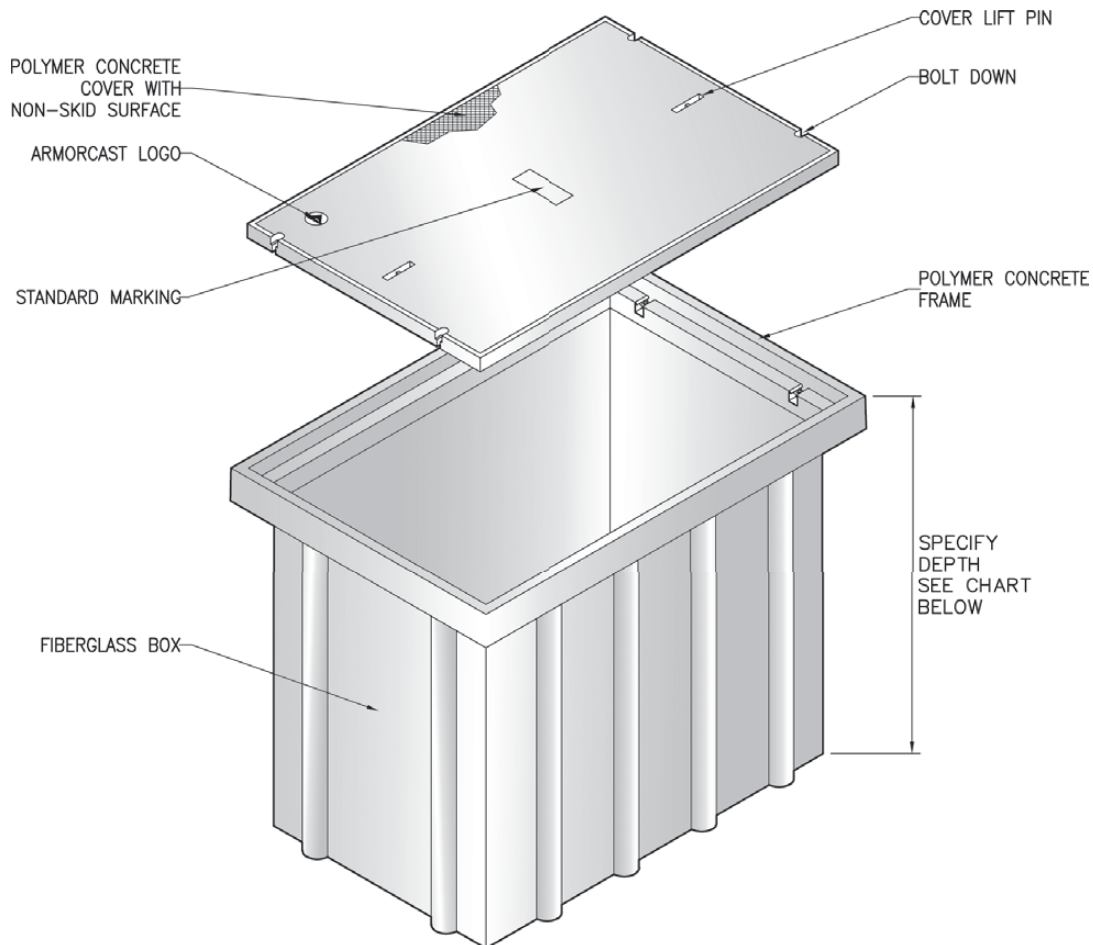
## 30" to 48" DEPTHS



**FIBERGLASS**

**ARMORCAST PRODUCTS COMPANY**

A6001430



### 30"W x 48"L FRP BOX ASSEMBLIES Specify Depth Below

DESCRIPTION	NOMINAL SIZE W x L x D	LOAD RATING	ANSI TIER	PART NUMBER	APPROX. WEIGHT	PALLET QTY.
Box & Cover Assembly	30" x 48" x 30"	10K	8	A6001430AX30	378 lbs.	1
	30" x 48" x 30"	20K	15	A6001430TAX30	378 lbs.	1
Box & Cover Assembly	30" x 48" x 36"	10K	8	A6001430AX36	393 lbs.	1
	30" x 48" x 36"	20K	15	A6001430TAX36	393 lbs.	1
Box & Cover Assembly	30" x 48" x 48"	10K	8	A6001430AX48	468 lbs.	1
	30" x 48" x 48"	20K	15	A6001430TAX48	468 lbs.	1

### COMPONENTS

MORE COVER VARIATIONS ARE AVAILABLE IN OUR "COVER SECTION"

DESCRIPTION	NOMINAL SIZE W x L x D	LOAD RATING	ANSI TIER	PART NUMBER	APPROX. WEIGHT	PALLET QTY.
Replacement Covers	30" x 48"	10K	8	A6001671	203 lbs.	10
	30" x 48"	20K	15	A6001671T	203 lbs.	10
Replacement Boxes	30" x 48" x 30"	10K / 20K	8 / 15	A6001430X30F	175 lbs.	1
	30" x 48" x 36"	10K / 20K	8 / 15	A6001430X36F	190 lbs.	1
	30" x 48" x 48"	10K / 20K	8 / 15	A6001430X48F	265 lbs.	1

- Boxes are Open Bottom.
- For sizes not shown please contact Armorcast Products for more information

[www.armorcastprod.com](http://www.armorcastprod.com)

Tel: (818) 982-3600 Fax: (818) 982-7742



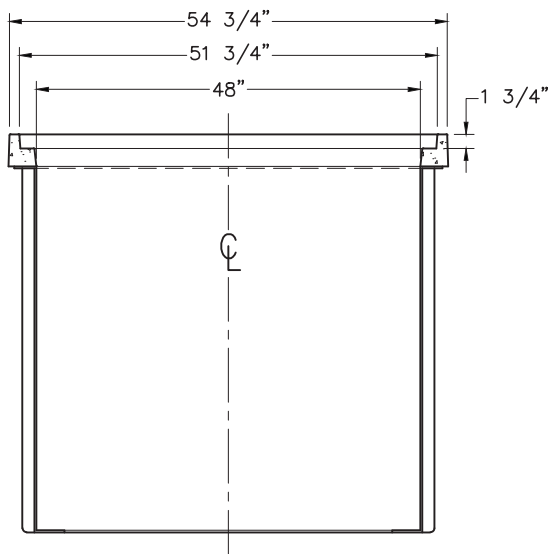
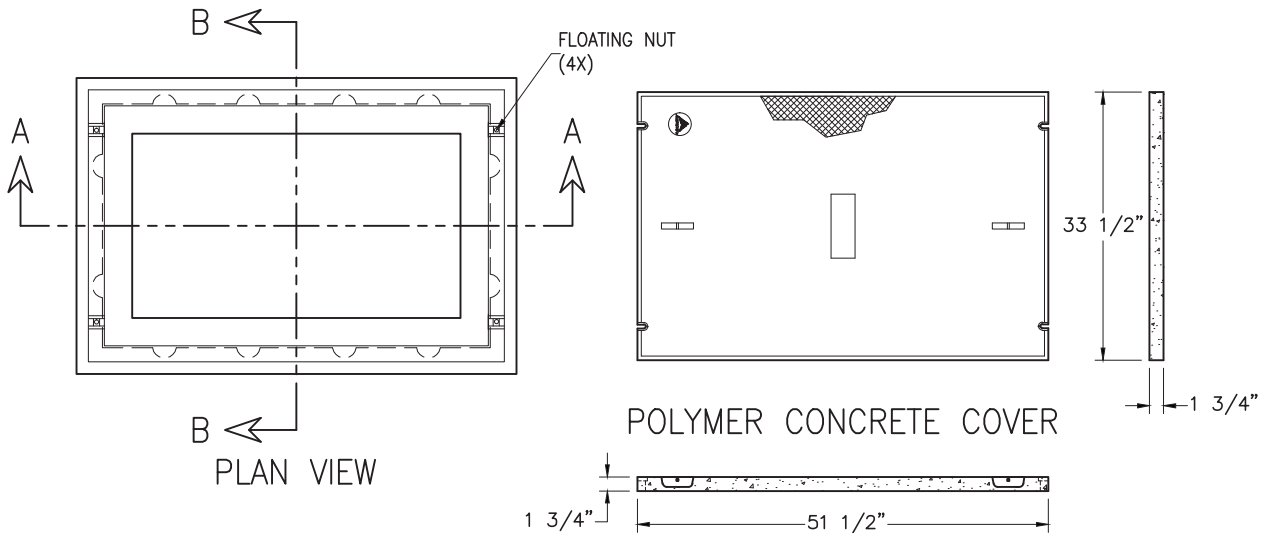
ARMORCAST PRODUCTS COMPANY

# 30" x 48" FRP BOX ASSEMBLY

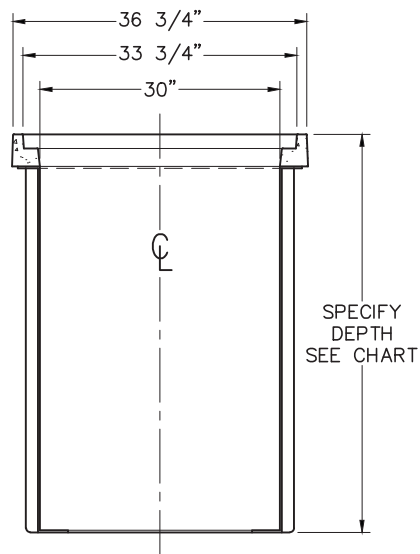
## STANDARD DIMENSIONS

### FIBERGLASS

A6001430



SECTION A-A



SECTION B-B

Armorcast Products Company reserves the right to update or discontinue product information at any time without notice.

[www.armorcastprod.com](http://www.armorcastprod.com)

Tel: (818) 982-3600 Fax: (818) 982-7742

FIBERGLASS  
BOXES

# 30" x 48" FRP FLARED BOX ASSEMBLY

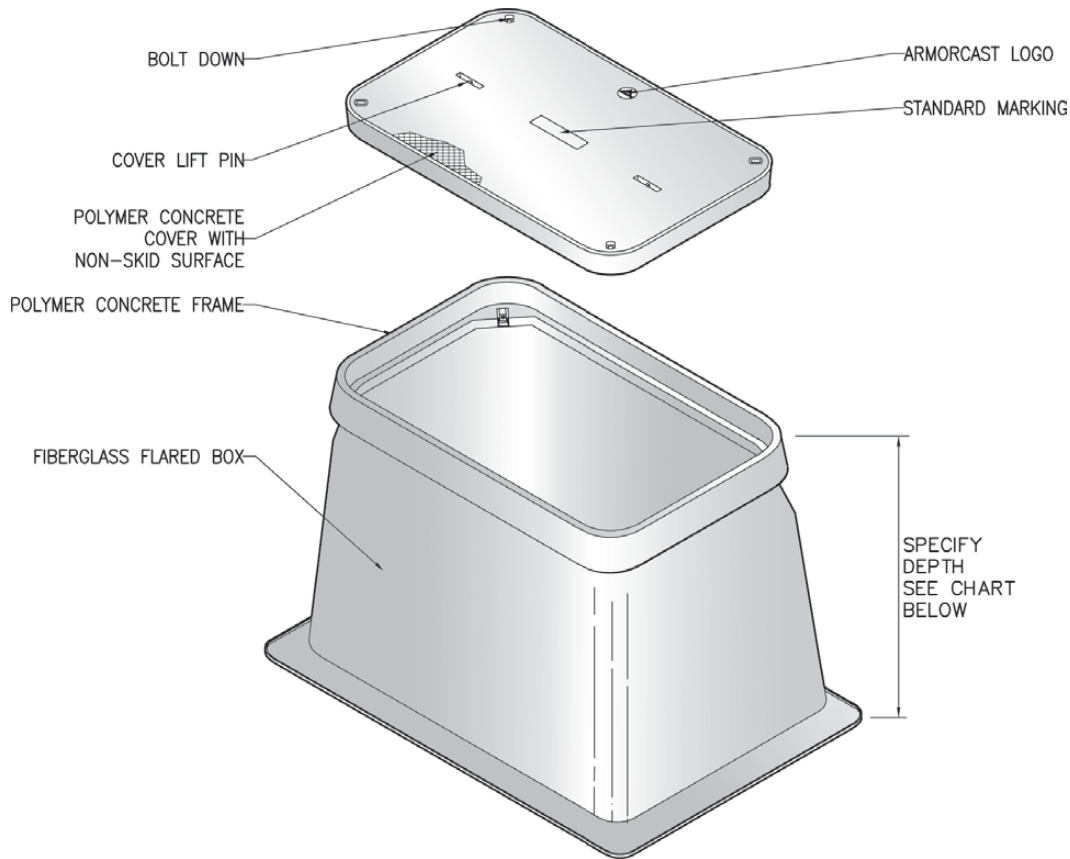
## 18" to 36" DEPTHS



**FIBERGLASS**

**ARMORCAST PRODUCTS COMPANY**

A6001550



### 30"W x 48"L FRP FLARED BOX ASSEMBLIES Specify Depth Below

DESCRIPTION	NOMINAL SIZE W x L x D	LOAD RATING	ANSI TIER	PART NUMBER	APPROX. WEIGHT	PALLET QTY.
Box & Cover Assembly	30" x 48" x 18"	10K	8	A6001550AX18	284 lbs.	5
	30" x 48" x 18"	20K	15	A6001550TAX18	287 lbs.	5
Box & Cover Assembly	30" x 48" x 24"	10K	8	A6001550AX24	304 lbs.	5
	30" x 48" x 24"	20K	15	A6001550TAX24	310 lbs.	5
Box & Cover Assembly	30" x 48" x 36"	10K	8	A6001550AX36	327 lbs.	5
	30" x 48" x 36"	20K	15	A6001550TAX36	337 lbs.	5

### COMPONENTS

DESCRIPTION	NOMINAL SIZE W x L x D	LOAD RATING	ANSI TIER	PART NUMBER	APPROX. WEIGHT	PALLET QTY.
Replacement Covers	30" x 48" - 1 pc.	10K	8	A6001630	146 lbs.	10
	30" x 48" - 1 pc.	20K	15	A6001630T	180 lbs.	10
Replacement Covers	30" x 48" - 2 pc.	10K	8	A6001470 (2 pc. Req.)	96 lbs.	20
	30" x 48" - 2 pc.	20K	15	A6001470T (2 pc. Req.)	96 lbs.	20
Replacement Boxes	30" x 48" x 18"	10K / 20K	8 / 15	A6001550X18	138 lbs.	5
	30" x 48" x 24"	10K / 20K	8 / 15	A6001550X24	158 lbs.	5
	30" x 48" x 36"	10K / 20K	8 / 15	A6001550X36	181 lbs.	5

• For sizes not shown please contact Armorcast Products for more information

[www.armorcastprod.com](http://www.armorcastprod.com)

Tel: (818) 982-3600 Fax: (818) 982-7742

FIBERGLASS  
BOXES



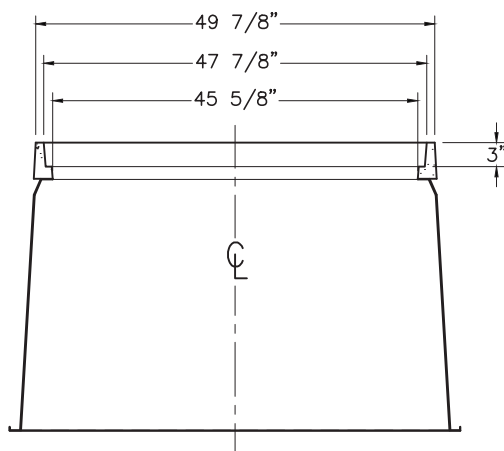
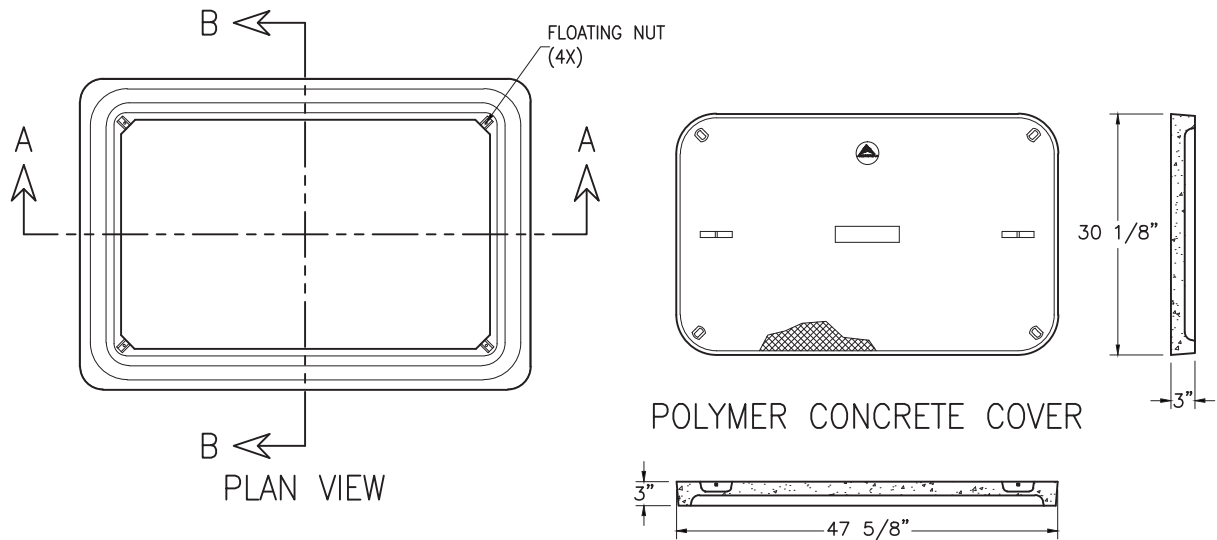
# 30" x 48" FRP FLARED BOX ASSEMBLY

## STANDARD DIMENSIONS

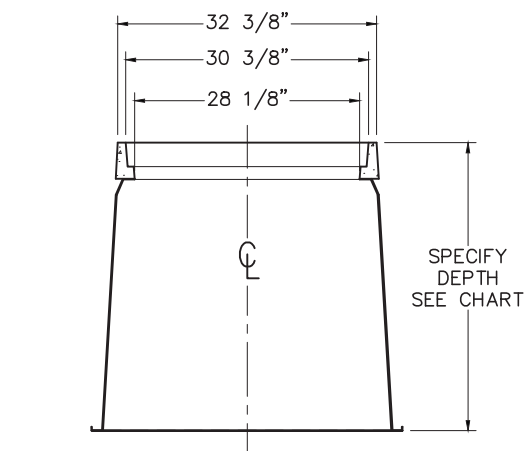
ARMORCAST PRODUCTS COMPANY

FIBERGLASS

A6001550



SECTION A-A



SECTION B-B

Armorcast Products Company reserves the right to update or discontinue product information at any time without notice.

[www.armorcastprod.com](http://www.armorcastprod.com)

Tel: (818) 982-3600 Fax: (818) 982-7742

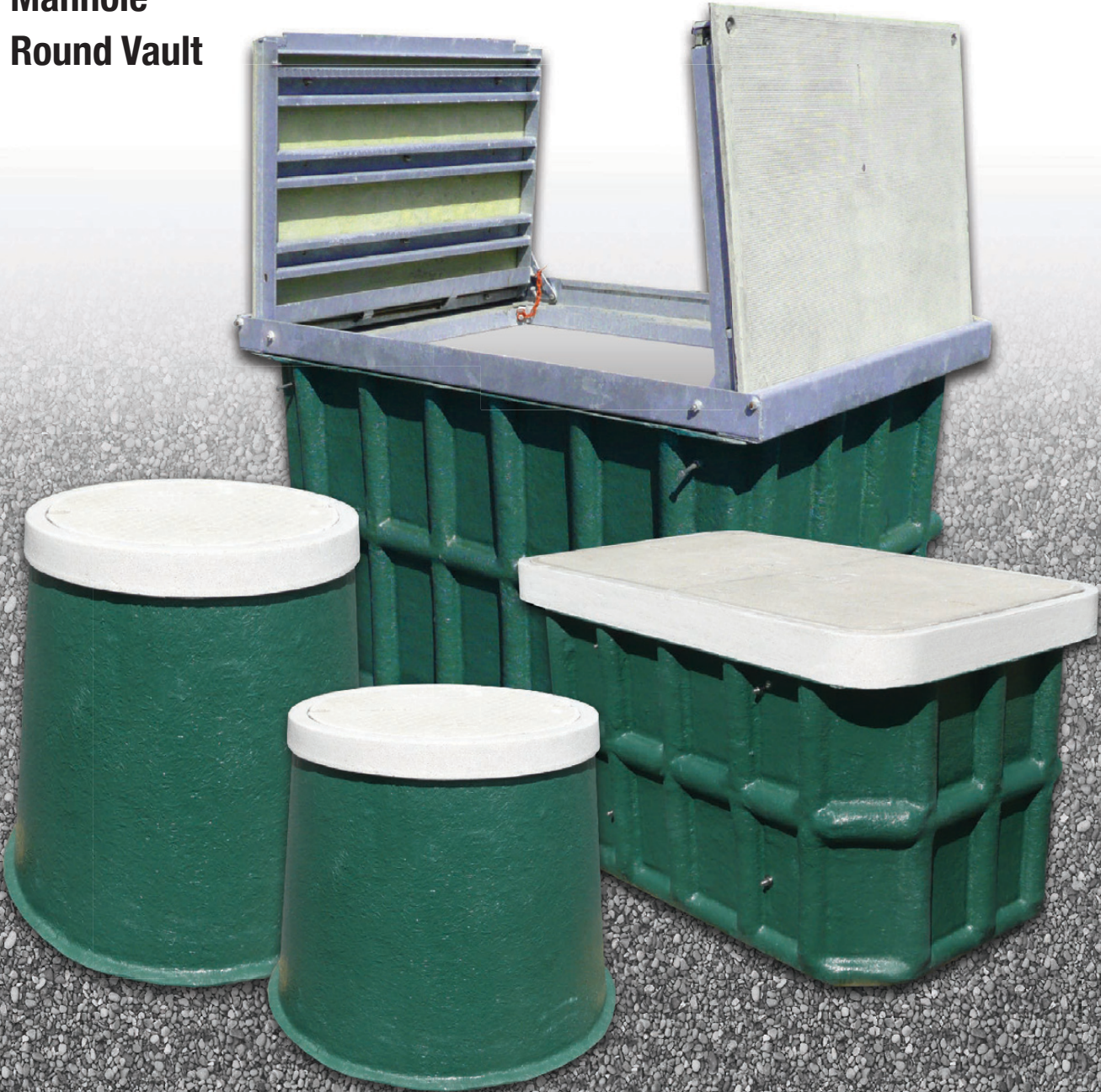
FIBERGLASS  
BOXES

# FIBERGLASS VAULT & MANHOLE ASSEMBLIES



ARMORCAST PRODUCTS COMPANY

- Standard Vault
- Torsion Vault
- Manhole
- Round Vault





ARMORCAST PRODUCTS COMPANY

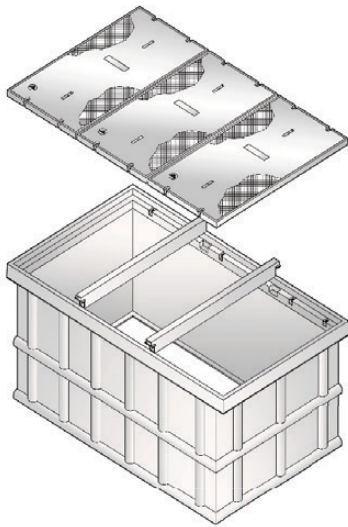
# FIBERGLASS VAULT & MANHOLE ASSEMBLIES

FIBERGLASS VAULT & MANHOLE

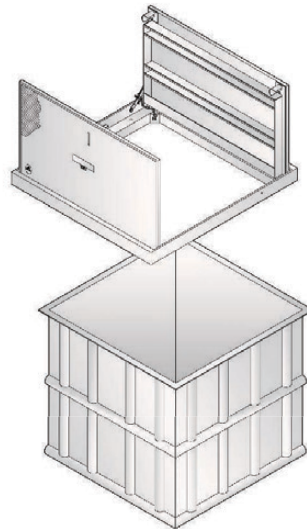
## Fiberglass Vault & Manhole Assemblies

The Armorcast Products Company line of Fiberglass Vaults and Manholes are designed to provide maximum strength and durability. Lighter weight than traditional concrete, they are easily installed without special equipment. Superior strength and longevity. Fiberglass bodies are easily field cut. Meets all WUC and SCTE / ANSI 77 specifications.

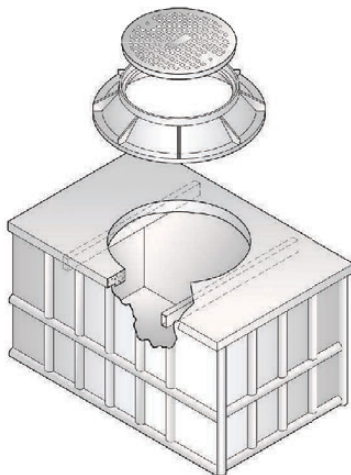
Vaults are available with one and two piece covers, or Torsion Frame / Cover for ease of opening. Cast Iron Ring and Cover options allow for full H20 street use.



• Standard Vault



• Torsion Vault



• Manhole



• Round Vault

### APPLICATION USE

- Handholes
- Pull Boxes
- Valve Boxes
- Meter Boxes
- Splice Boxes
- Junction Boxes



### OPTIONS

(See Options page for details)

- Mouseholes
- Knock Outs
- Locking Devices
- Terminators
- Rack and Hooks
- Inserts
- Hex or Penta Bolts
- EMS Markers
- Touch Read Covers
- AMR / AMI Covers.

### STANDARD or CUSTOM LOGOS

- Electric
- Telephone
- CATV
- Danger High Voltage
- Communication
- Fiber Optics
- Gas
- Water
- Railroad
- Traffic Signal
- Illumination
- Lighting
- Street Lighting

# 30" x 60" FRP VAULT ASSEMBLY

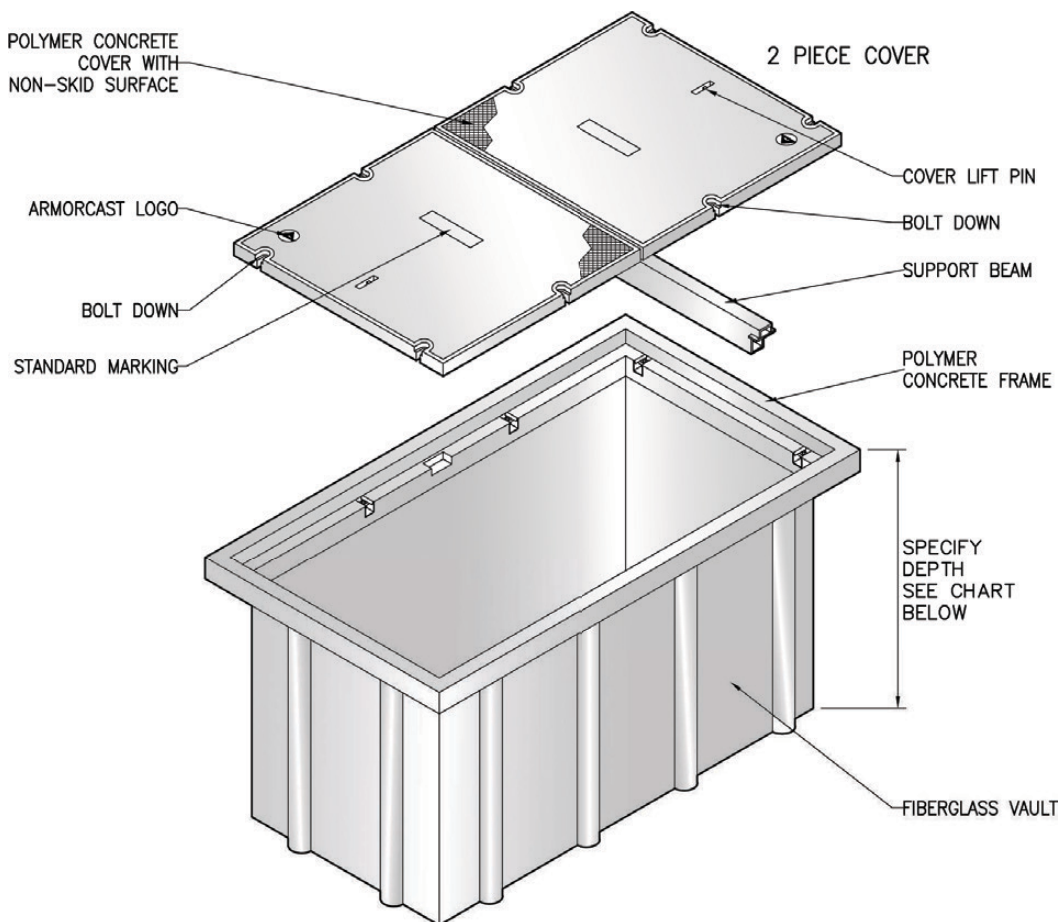
## 24" to 48" DEPTHS



**FIBERGLASS**

**ARMORCAST PRODUCTS COMPANY**

A6001460



### 30"W x 60"L FRP VAULT ASSEMBLIES Specify Depth Below

DESCRIPTION	NOMINAL SIZE W x L x D	LOAD RATING	ANSI TIER	PART NUMBER	APPROX. WEIGHT	PALLET QTY.
Vault & Cover Assembly	30" x 60" x 24"	10K	8	A6001460AX24	490 lbs.	1
	30" x 60" x 24"	20K	15	A6001460TAX24	530 lbs.	1
Vault & Cover Assembly	30" x 60" x 36"	10K	8	A6001460AX36	520 lbs.	1
	30" x 60" x 36"	20K	15	A6001460TAX36	560 lbs.	1
Vault & Cover Assembly	30" x 60" x 48"	10K	8	A6001460AX48	550 lbs.	1
	30" x 60" x 48"	20K	15	A6001460TAX48	580 lbs.	1

### COMPONENTS

DESCRIPTION	NOMINAL SIZE W x L x D	LOAD RATING	ANSI TIER	PART NUMBER	APPROX. WEIGHT	PALLET QTY.
Replacement Covers	30" x 60" - 2 pc.	10K	8	A6001504	125 lbs.	10
	30" x 60" - 2pc.	20K	15	A6001504T	125 lbs.	10
Replacement Vaults	30" x 60" x 24"	10K / 20K	8 / 15	A6001460X24	165 lbs.	1
	30" x 60" x 36"	10K / 20K	8 / 15	A6001460X36	180 lbs.	1
	30" x 60" x 48"	10K / 20K	8 / 15	A6001460X48	195 lbs.	1

- Boxes are Open Bottom. Also available with Solid Bottoms.
- For sizes not shown please contact Armorcast Products for more information

[www.armorcastprod.com](http://www.armorcastprod.com)

Tel: (818) 982-3600 Fax: (818) 982-7742





# 30" x 60" FRP VAULT ASSEMBLY

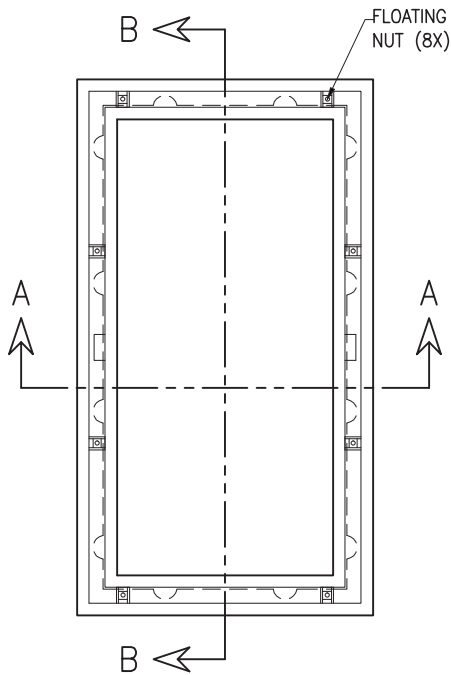
## STANDARD DIMENSIONS

ARMORCAST PRODUCTS COMPANY

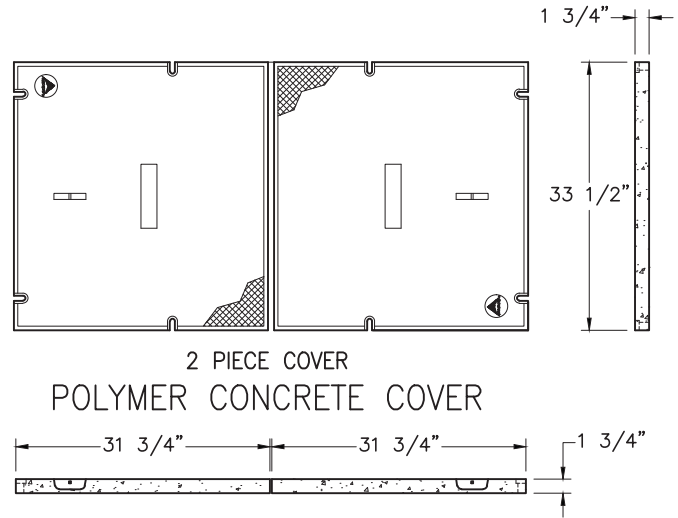
FIBERGLASS

A6001460

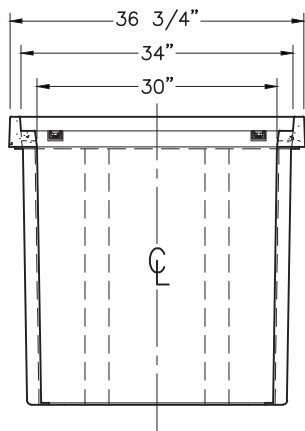
FIBERGLASS  
VAULT & MANHOLE



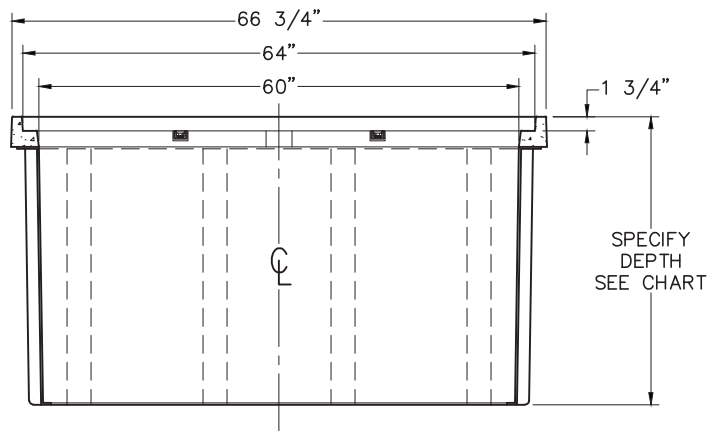
TOP VIEW



2 PIECE COVER  
POLYMER CONCRETE COVER



SECTION A-A



SECTION B-B

Armorcast Products Company reserves the right to update or discontinue product information at any time without notice.

[www.armorcastprod.com](http://www.armorcastprod.com)

Tel: (818) 982-3600 Fax: (818) 982-7742

# 36" x 36" FRP VAULT ASSEMBLY

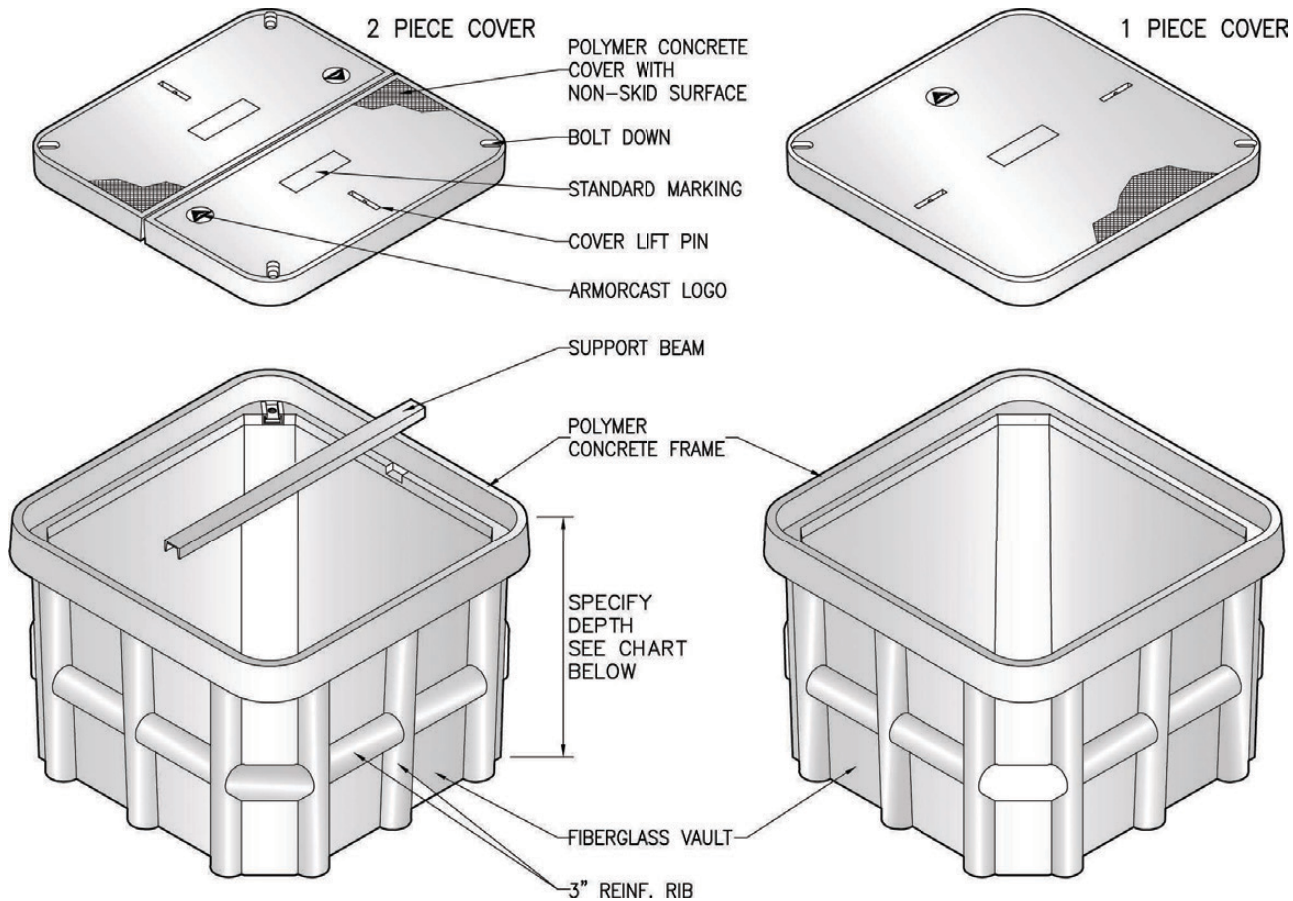
## 24" to 36" DEPTHS



**FIBERGLASS**

**ARMORCAST PRODUCTS COMPANY**

A6001441



### 36"W x 36"L FRP VAULT ASSEMBLIES Specify Depth Below

DESCRIPTION	NOMINAL SIZE W x L x D	LOAD RATING	ANSI TIER	PART NUMBER	APPROX. WEIGHT	PALLET QTY.
Vault & Cover Assembly	36" x 36" x 24"	10K	8	A6001441AX24	360 lbs.	1
	36" x 36" x 24"	20K	15	A6001441TAX24	360 lbs.	1
Vault & Cover Assembly	36" x 36" x 36"	10K	8	A6001441AX36	390 lbs.	1
	36" x 36" x 36"	20K	15	A6001441TAX36	390 lbs.	1

### COMPONENTS

DESCRIPTION	NOMINAL SIZE W x L x D	LOAD RATING	ANSI TIER	PART NUMBER	APPROX. WEIGHT	PALLET QTY.
Replacement Covers	36" x 36" - 1 pc.	10K	8	A60013636-CVR	202 lbs.	20
	36" x 36" - 1 pc.	20K	15	A6003636T-CVR	202 lbs.	20
Replacement Covers	36" x 36" - 2 pc.	10K	8	A6001443	108 lbs.	20
	36" x 36" - 2 pc.	20K	15	A6001443T	108 lbs.	20
Replacement Vault	36" x 36" x 24"	10K / 20K	8 / 15	A6001441X24F	145 lbs.	1
	36" x 36" x 36"	10K / 20K	8 / 15	A6001441X36F	170 lbs.	1

- Boxes are Open Bottom and Stackable, also available with Solid Bottoms.
- For sizes not shown please contact Armorcast Products for more information

[www.armorcastprod.com](http://www.armorcastprod.com)

Tel: (818) 982-3600 Fax: (818) 982-7742



# 36" x 36" FRP VAULT ASSEMBLY

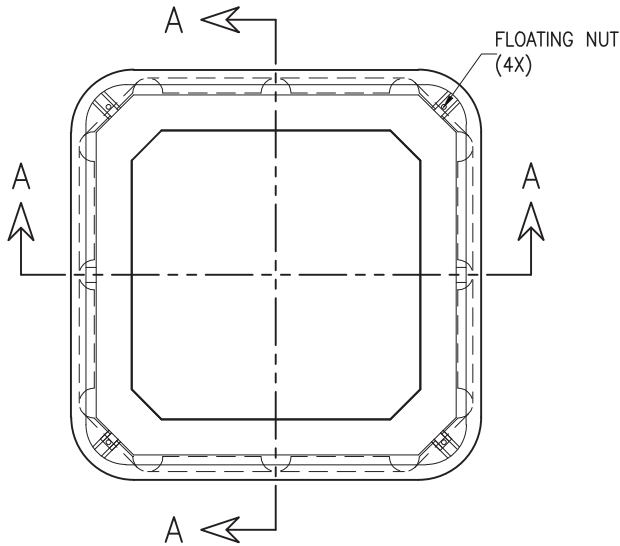
## STANDARD DIMENSIONS

ARMORCAST PRODUCTS COMPANY

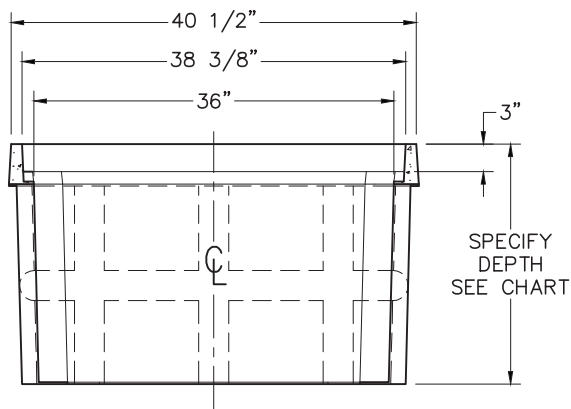
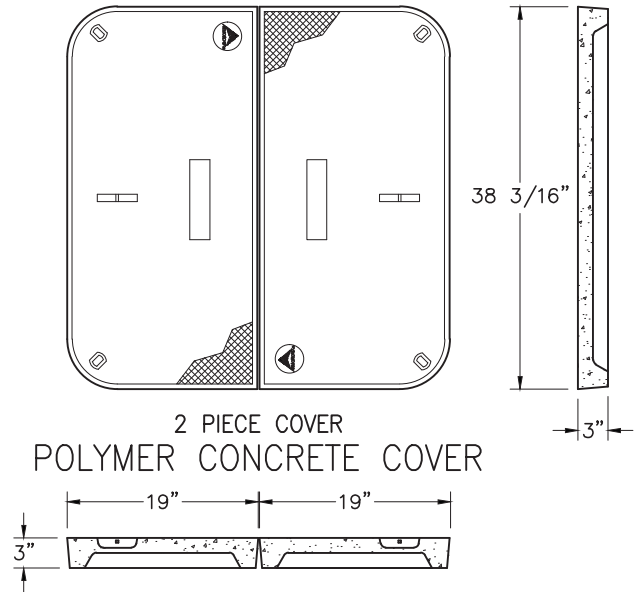
FIBERGLASS

A6001441

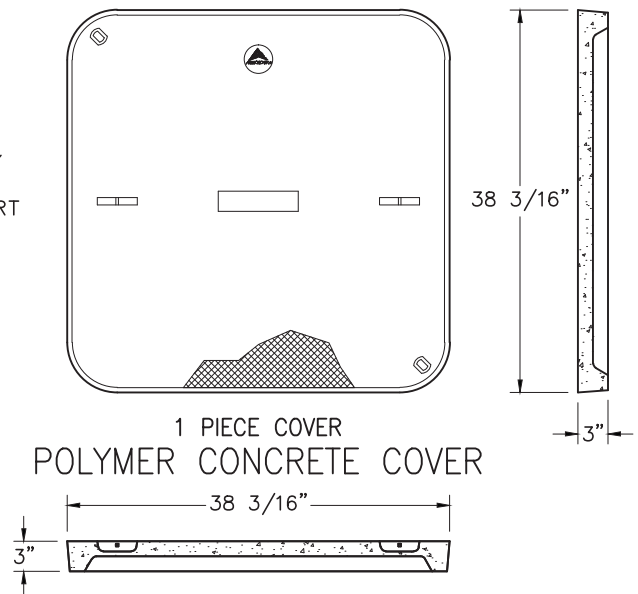
FIBERGLASS  
VAULT & MANHOLE



TOP VIEW



SECTION A-A



Armorcast Products Company reserves the right to update or discontinue product information at any time without notice.

[www.armorcastprod.com](http://www.armorcastprod.com)

Tel: (818) 982-3600 Fax: (818) 982-7742

# 36" x 60" FRP VAULT ASSEMBLY

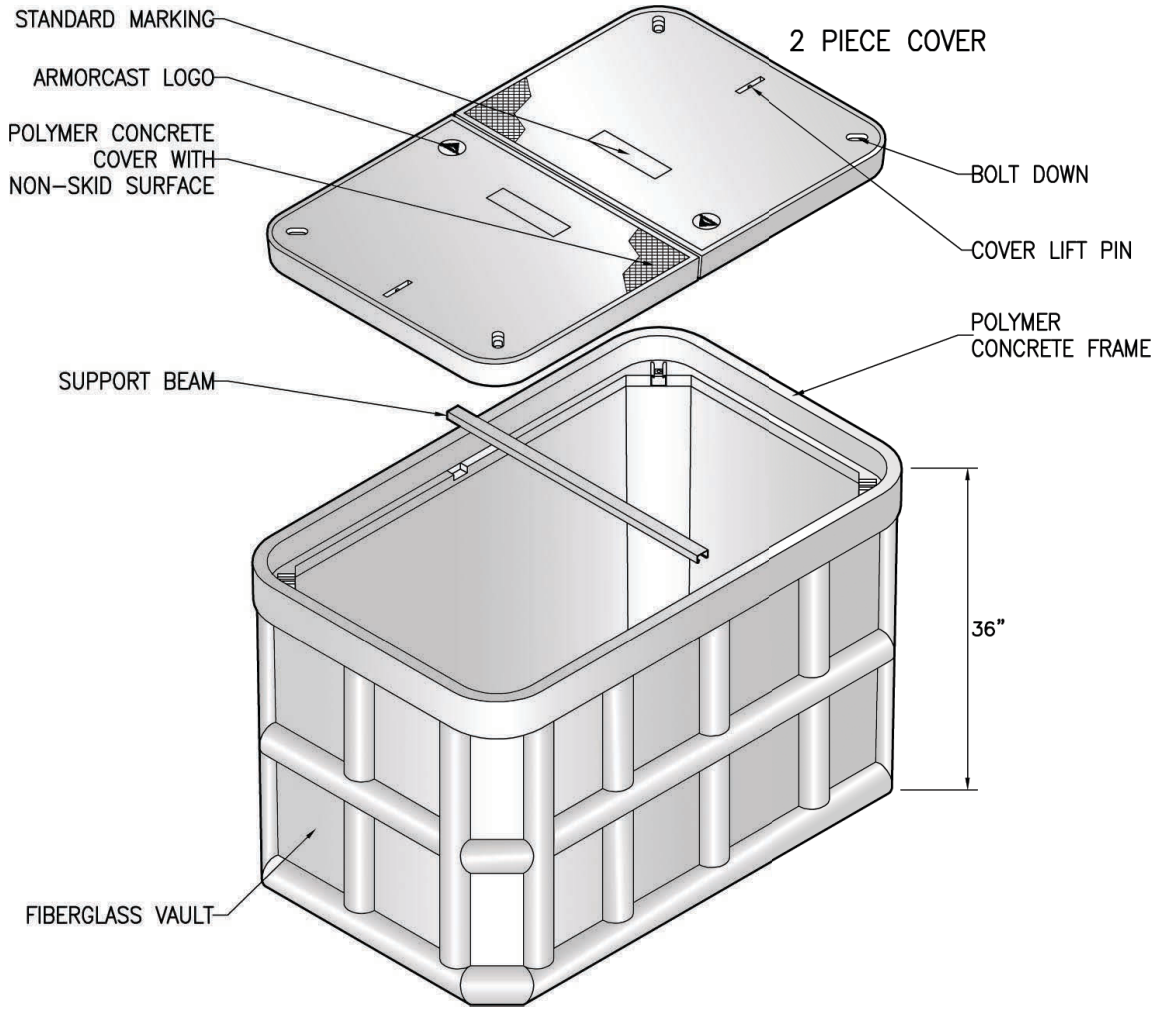
## 36" DEPTH



### FIBERGLASS

ARMORCAST PRODUCTS COMPANY

A6001437



### 36"W x 60"L FRP VAULT ASSEMBLIES Specify Depth Below

DESCRIPTION	NOMINAL SIZE W x L x D	LOAD RATING	ANSI TIER	PART NUMBER	APPROX. WEIGHT	PALLET QTY.
Vault & Cover Assembly	36" x 60" x 36"	10K	8	A6001437AX36	540 lbs.	1
	36" x 60" x 36"	20K	15	A6001437TAX36	550 lbs.	1

### COMPONENTS

DESCRIPTION	NOMINAL SIZE W x L x D	LOAD RATING	ANSI TIER	PART NUMBER	APPROX. WEIGHT	PALLET QTY.
Replacement Covers	36" x 60"	10K	8	A6001457	147 lbs.	10
	36" x 60"	20K	15	A6001457T	150 lbs.	1
Replacement Vaults	36" x 60" x 36"	10K / 20K	8 / 15	A6001437X36F	240 lbs.	1

- Vaults are Open Bottom. Also available with Solid Bottoms.
- For sizes not shown please contact Armorcast Products for more information



# 36" x 60" FRP VAULT ASSEMBLY

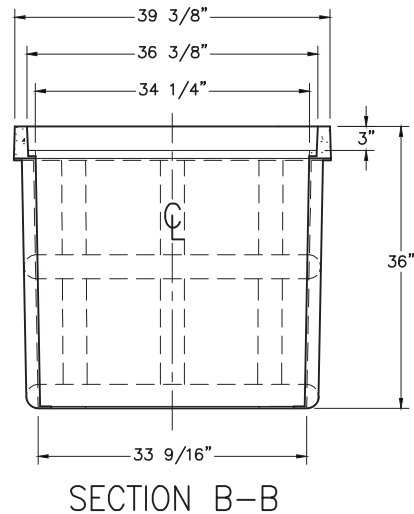
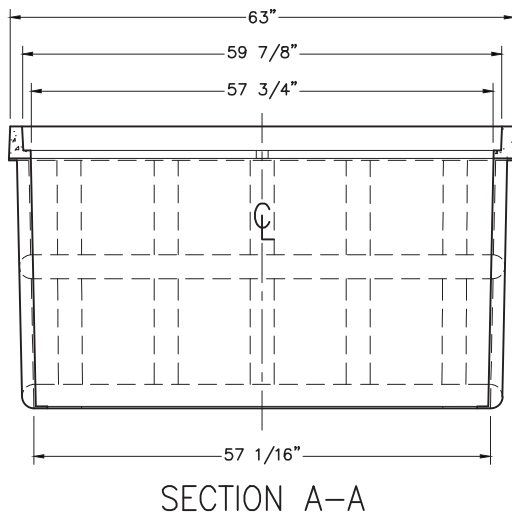
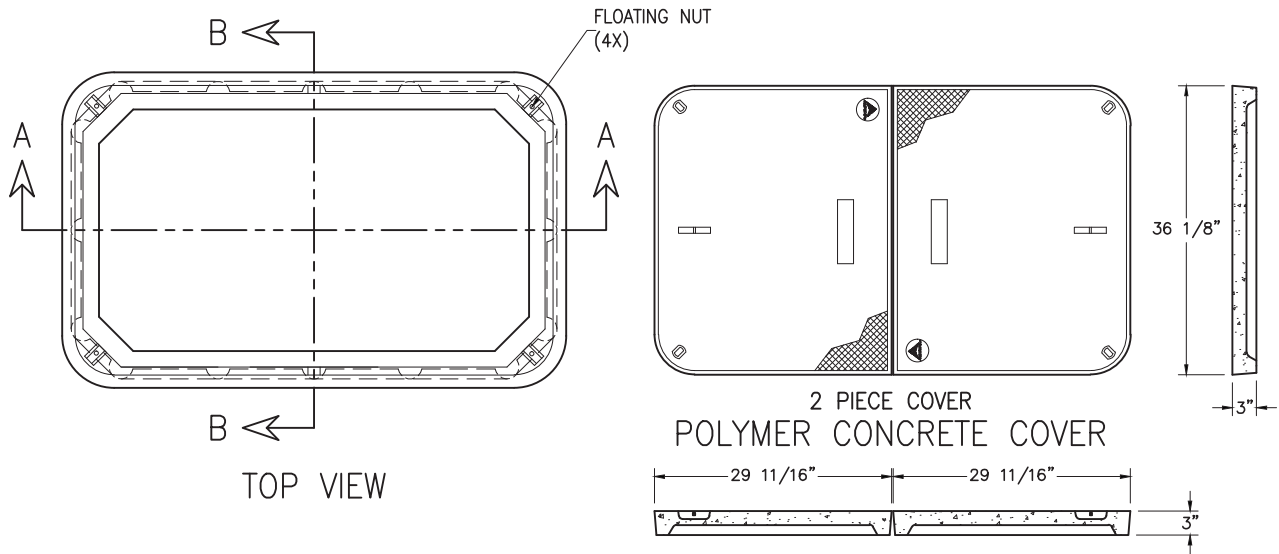
## STANDARD DIMENSIONS

ARMORCAST PRODUCTS COMPANY

FIBERGLASS

A6001437

FIBERGLASS  
VAULT & MANHOLE



Armorcast Products Company reserves the right to update or discontinue product information at any time without notice.

[www.armorcastprod.com](http://www.armorcastprod.com)

Tel: (818) 982-3600 Fax: (818) 982-7742

# 36" x 60" FRP VAULT ASSEMBLY

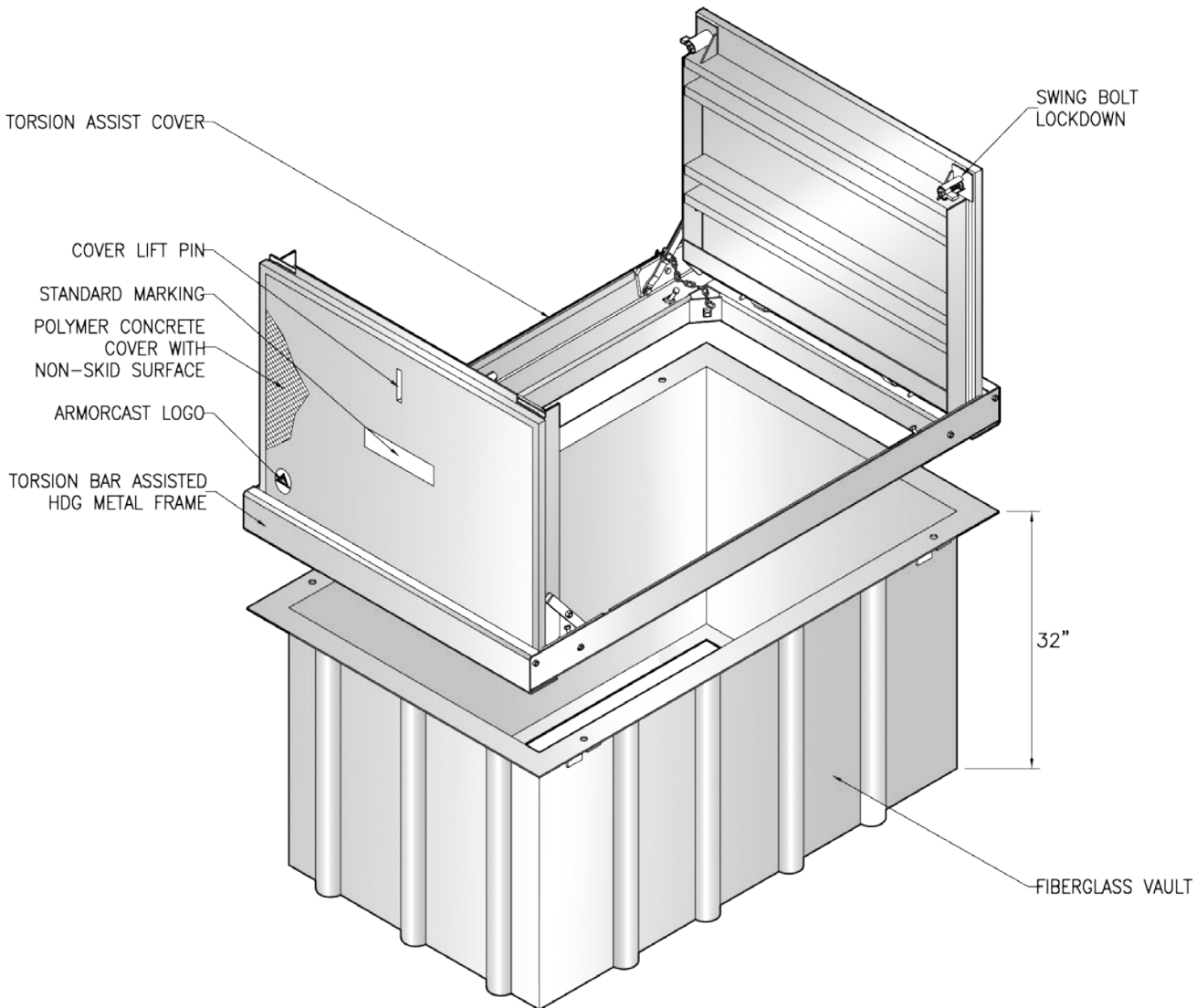
## 36" DEPTH / TORSION ASSIST



**FIBERGLASS**

**ARMORCAST PRODUCTS COMPANY**

**A6001436MT**



### 36"W x 60"L FRP VAULT ASSEMBLIES Specify Depth Below

DESCRIPTION	NOMINAL SIZE W x L x D	LOAD RATING	ANSI TIER	PART NUMBER	APPROX. WEIGHT	PALLET QTY.
Vault & Cover Assembly	36" x 60" x 36"	10K	8	A6001436AX36MT	540 lbs.	1
	36" x 60" x 36"	20K	15	A6001436TAX36MT	550 lbs.	1

- Vaults are Open Bottom. Also available with Solid Bottoms.
- For sizes not shown please contact Armorcast Products for more information



# 36" x 60" FRP VAULT ASSEMBLY

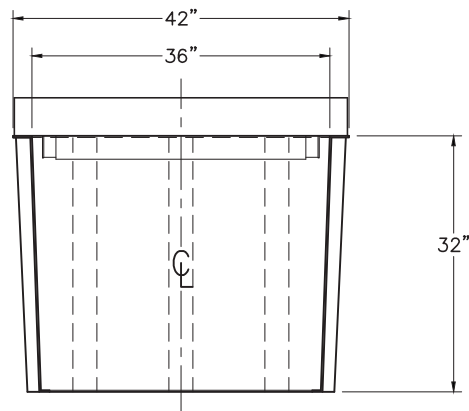
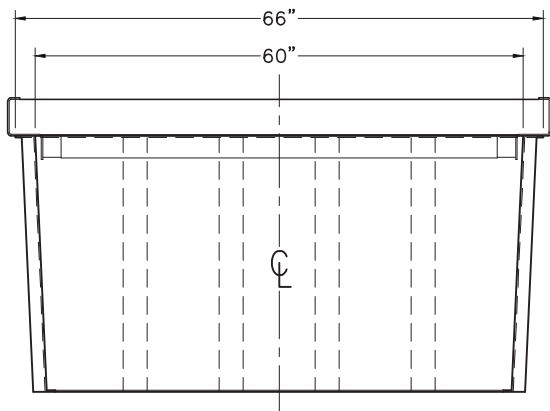
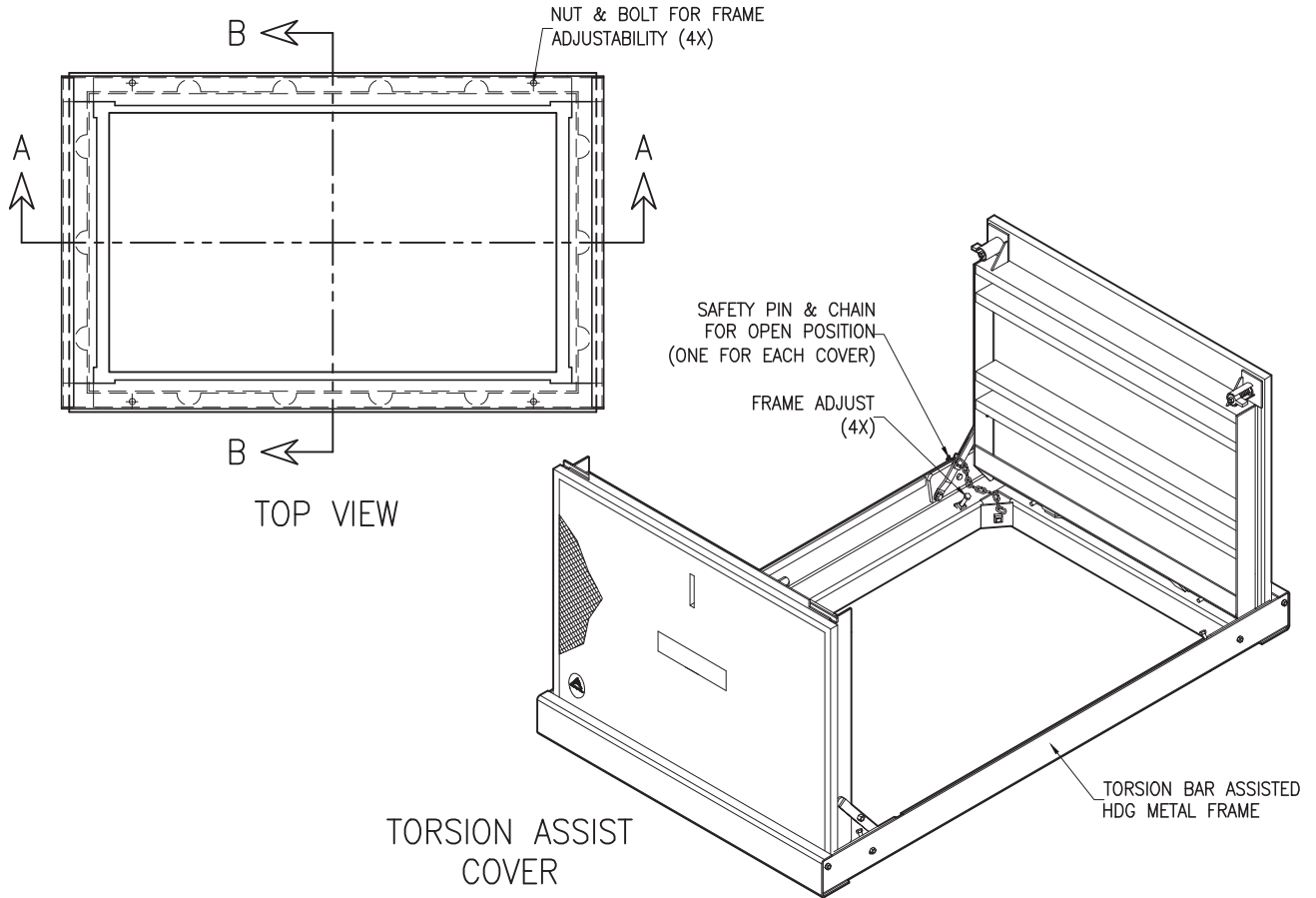
## STANDARD DIMENSIONS / TORSION ASSIST

ARMORCAST PRODUCTS COMPANY

FIBERGLASS

A6001436MT

FIBERGLASS  
VAULT & MANHOLE



Armorcast Products Company reserves the right to update or discontinue product information at any time without notice.

[www.armorcastprod.com](http://www.armorcastprod.com)

Tel: (818) 982-3600 Fax: (818) 982-7742

# 36" x 72" FRP VAULT ASSEMBLY

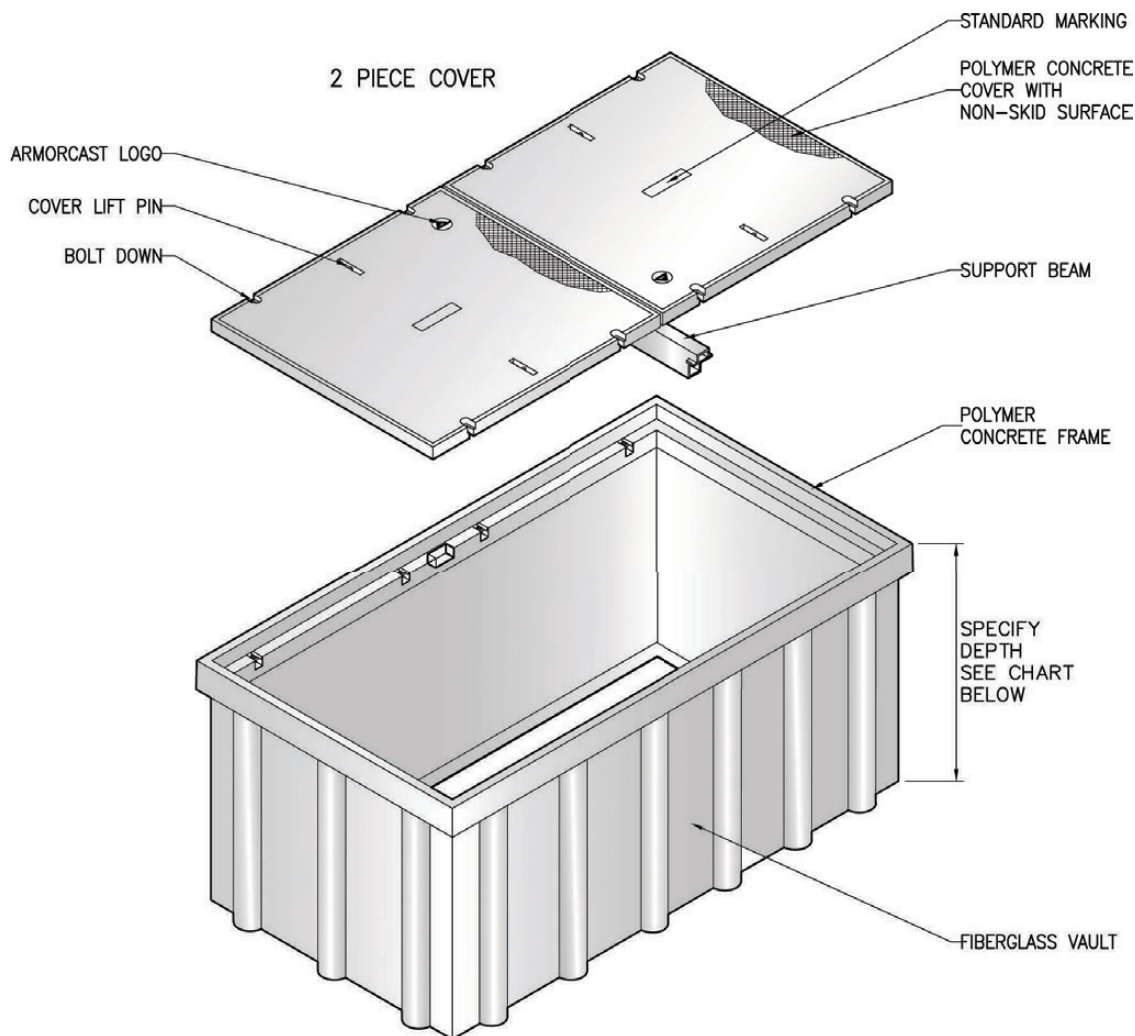
## 24" & 36" DEPTH



**FIBERGLASS**

**ARMORCAST PRODUCTS COMPANY**

A6001491



### 36"W x 72"L FRP VAULT ASSEMBLIES Specify Depth Below

DESCRIPTION	NOMINAL SIZE W x L x D	LOAD RATING	ANSI TIER	PART NUMBER	APPROX. WEIGHT	PALLET QTY.
Vault & Cover Assembly	36" x 72" x 24"	10K	8	A6001491AX24	700 lbs.	1
	36" x 72" x 24"	20K	15	A6001491TAX24	765 lbs.	1
Vault & Cover Assembly	36" x 72" x 36"	10K	8	A6001491AX36	745 lbs.	1
	36" x 72" x 36"	20K	15	A6001491TAX36	810 lbs.	1

### COMPONENTS

DESCRIPTION	NOMINAL SIZE W x L x D	LOAD RATING	ANSI TIER	PART NUMBER	APPROX. WEIGHT	PALLET QTY.
Replacement Covers	36" x 72" - 1 pc.	10K	8	A6001465	180 lbs.	10
	36" x 72" - 1 pc.	20K	15	A6001465T	185 lbs.	10
Replacement Vault	36" x 72" x 24"	10K / 20K	8 / 15	A6001491X24	175 lbs.	1
	36" x 36" x 36"	10K / 20K	8 / 15	A6001491X36	200 lbs.	1

- Vaults are Open Bottom and Stackable, also available with Solid Bottoms.
- For sizes not shown please contact Armorcast Products for more information





ARMORCAST PRODUCTS COMPANY

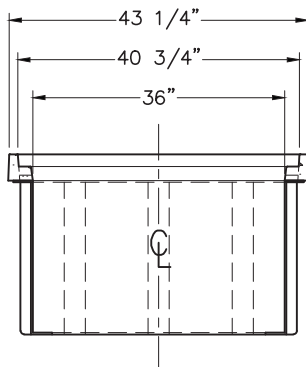
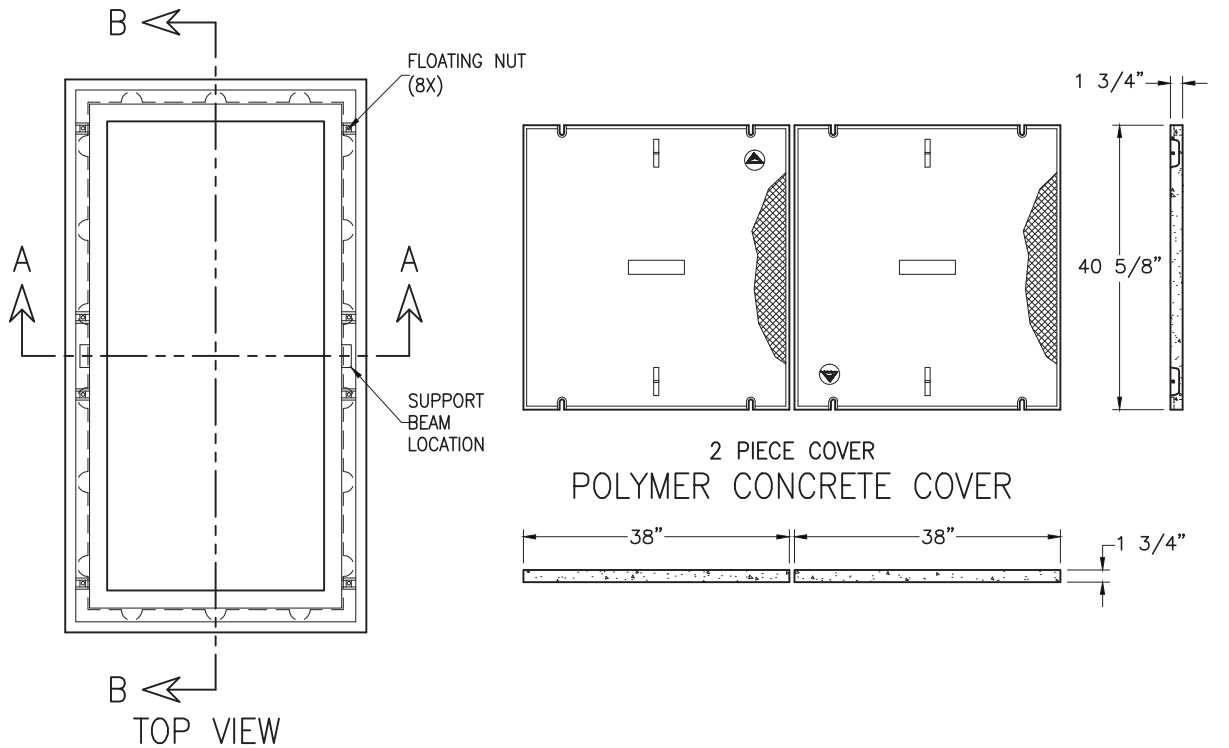
# 36" x 72" FRP VAULT ASSEMBLY

## STANDARD DIMENSIONS

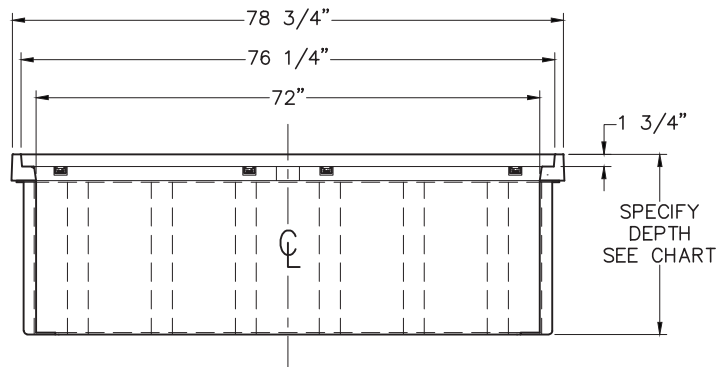
FIBERGLASS

A6001491

FIBERGLASS  
VAULT & MANHOLE



SECTION B-B



SECTION A-A

Armorcast Products Company reserves the right to update or discontinue product information at any time without notice.

[www.armorcastprod.com](http://www.armorcastprod.com)

Tel: (818) 982-3600 Fax: (818) 982-7742

# 48" x 48" FRP VAULT ASSEMBLY

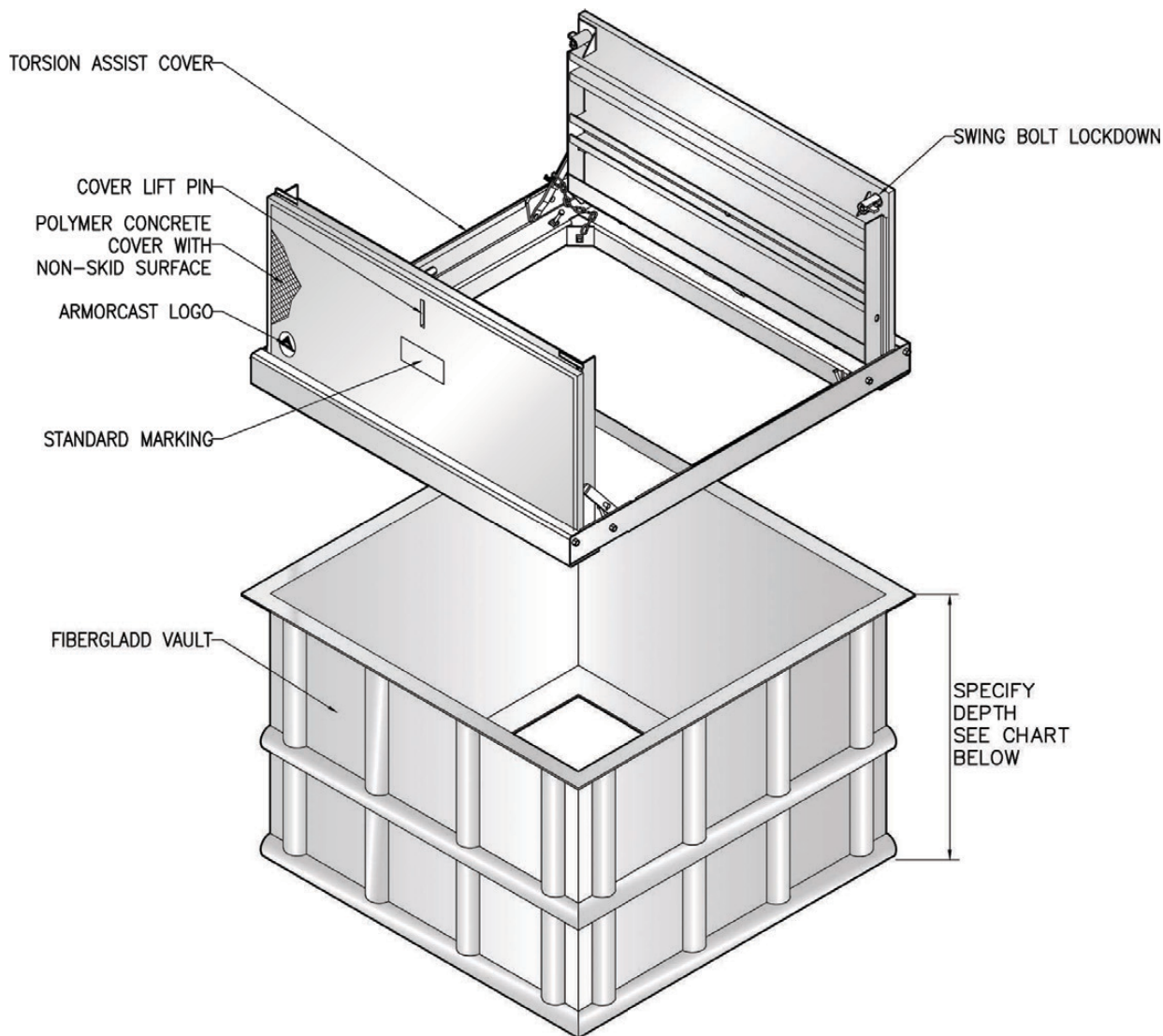
## 18" to 48" DEPTHS / TORSION ASSIST



**FIBERGLASS**

**ARMORCAST PRODUCTS COMPANY**

**A6001440MT**



### 48"W x 48"L FRP VAULT ASSEMBLIES Specify Depth Below

DESCRIPTION	NOMINAL SIZE W x L x D	LOAD RATING	ANSI TIER	PART NUMBER	APPROX. WEIGHT	PALLET QTY.
Vault & Cover Assembly	48" x 48" x 18"	10K	8	A6001440AX18MT	580 lbs.	1
	48" x 48" x 18"	20K	15	A6001440TAX18MT	580 lbs.	1
Vault & Cover Assembly	48" x 48" x 24"	10K	8	A6001440AX24MT	610 lbs.	1
	48" x 48" x 24"	20K	15	A6001440TAX24MT	610 lbs.	1
Vault & Cover Assembly	48" x 48" x 36"	10K	8	A6001440AX36MT	640 lbs.	1
	48" x 48" x 36"	20K	15	A6001440TAX36MT	640 lbs.	1
Vault & Cover Assembly	48" x 48" x 48"	10K	8	A6001440AX48MT	680 lbs.	1
	48" x 48" x 48"	20K	15	A6001440TAX48MT	680 lbs.	1

- Vaults are Open Bottom. Also available with Solid Bottoms.
- For sizes not shown please contact Armorcast Products for more information



ARMORCAST PRODUCTS COMPANY

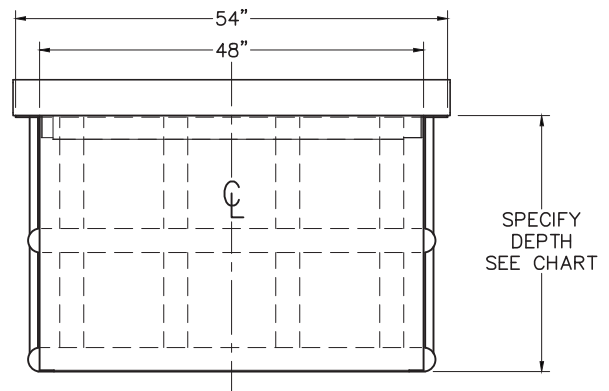
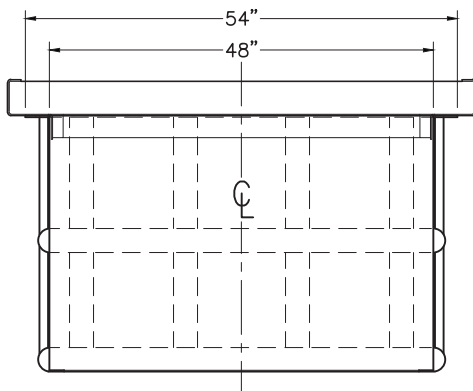
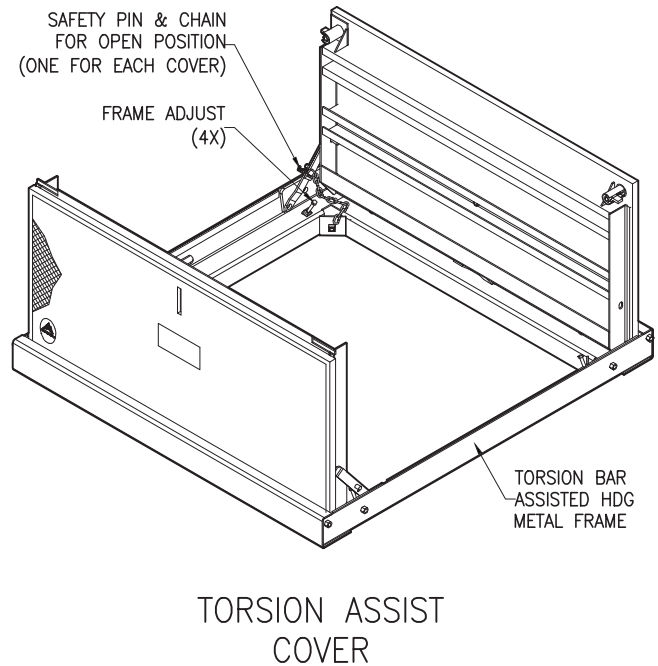
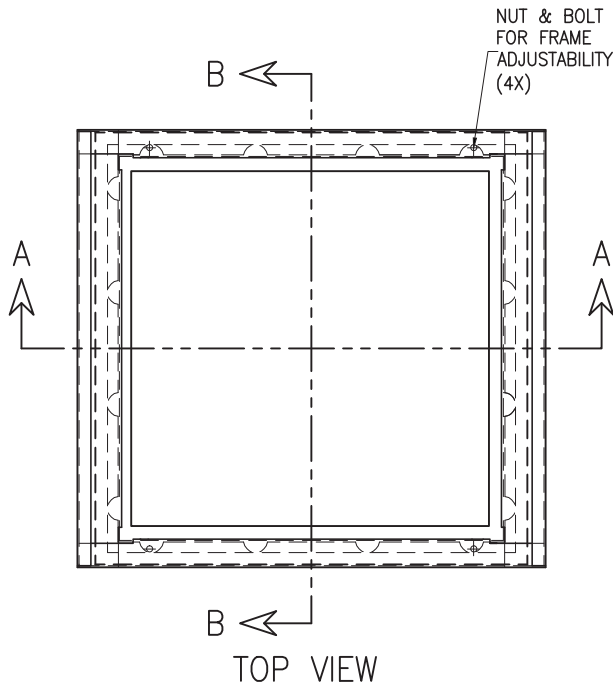
# 48" x 48" FRP VAULT ASSEMBLY

## STANDARD DIMENSIONS / TORSION ASSIST

FIBERGLASS

A6001440MT

FIBERGLASS  
VAULT & MANHOLE



Armorcast Products Company reserves the right to update or discontinue product information at any time without notice.

[www.armorcastprod.com](http://www.armorcastprod.com)

Tel: (818) 982-3600 Fax: (818) 982-7742

# 48" x 60" FRP VAULT ASSEMBLY

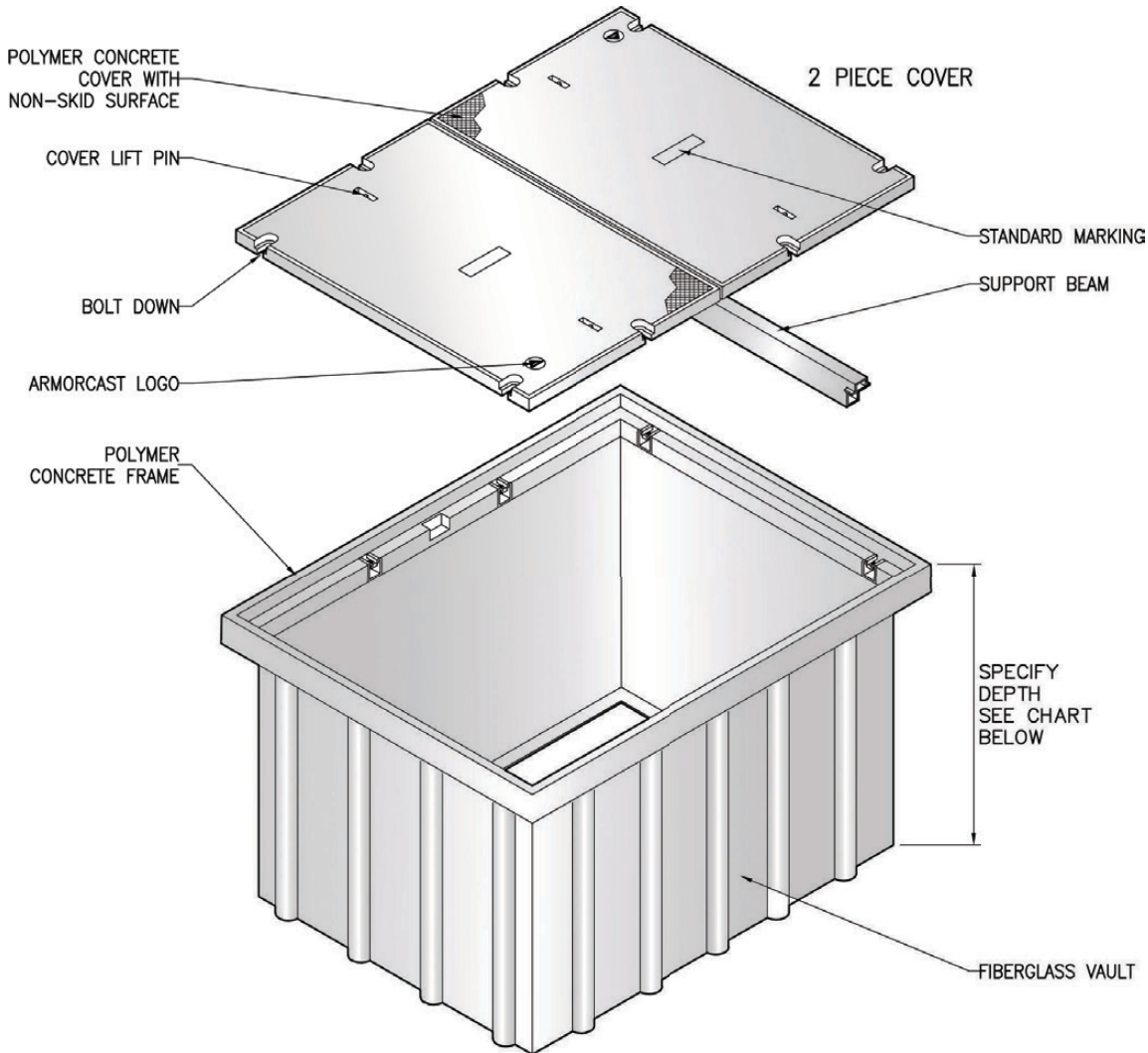
## 36" & 48" DEPTHS



**FIBERGLASS**

**ARMORCAST PRODUCTS COMPANY**

**A6001447**



### 48"W x 60"L FRP VAULT ASSEMBLIES Specify Depth Below

DESCRIPTION	NOMINAL SIZE W x L x D	LOAD RATING	ANSI TIER	PART NUMBER	APPROX. WEIGHT	PALLET QTY.
Vault & Cover Assembly	48" x 60" x 36"	10K	8	A6001447AX36	745 lbs.	1
	48" x 60" x 36"	20K	15	A6001447TAX36	845 lbs.	1
Vault & Cover Assembly	48" x 60" x 48"	10K	8	A6001447AX48	775 lbs.	1
	48" x 60" x 48"	20K	15	A6001447TAX48	875 lbs.	1

### COMPONENTS

DESCRIPTION	NOMINAL SIZE W x L x D	LOAD RATING	ANSI TIER	PART NUMBER	APPROX. WEIGHT	PALLET QTY.
Replacement Covers	48" x 60" - 2 pc.	10K	8	A6001970	185 lbs.	10
	48" x 60" - 2 pc.	20K	15	A6001970T	185 lbs.	10
Replacement Vault	48" x 60" x 36"	10K/ 20K	8 /15	A6001447X36	165 lbs.	1
	48" x 60" x 48"	10K / 20K	8 /15	A6001447X48	190 lbs.	1

- Vaults are Open Bottom. Also available with Solid Bottoms.
- For sizes not shown please contact Armorcast Products for more information



ARMORCAST PRODUCTS COMPANY

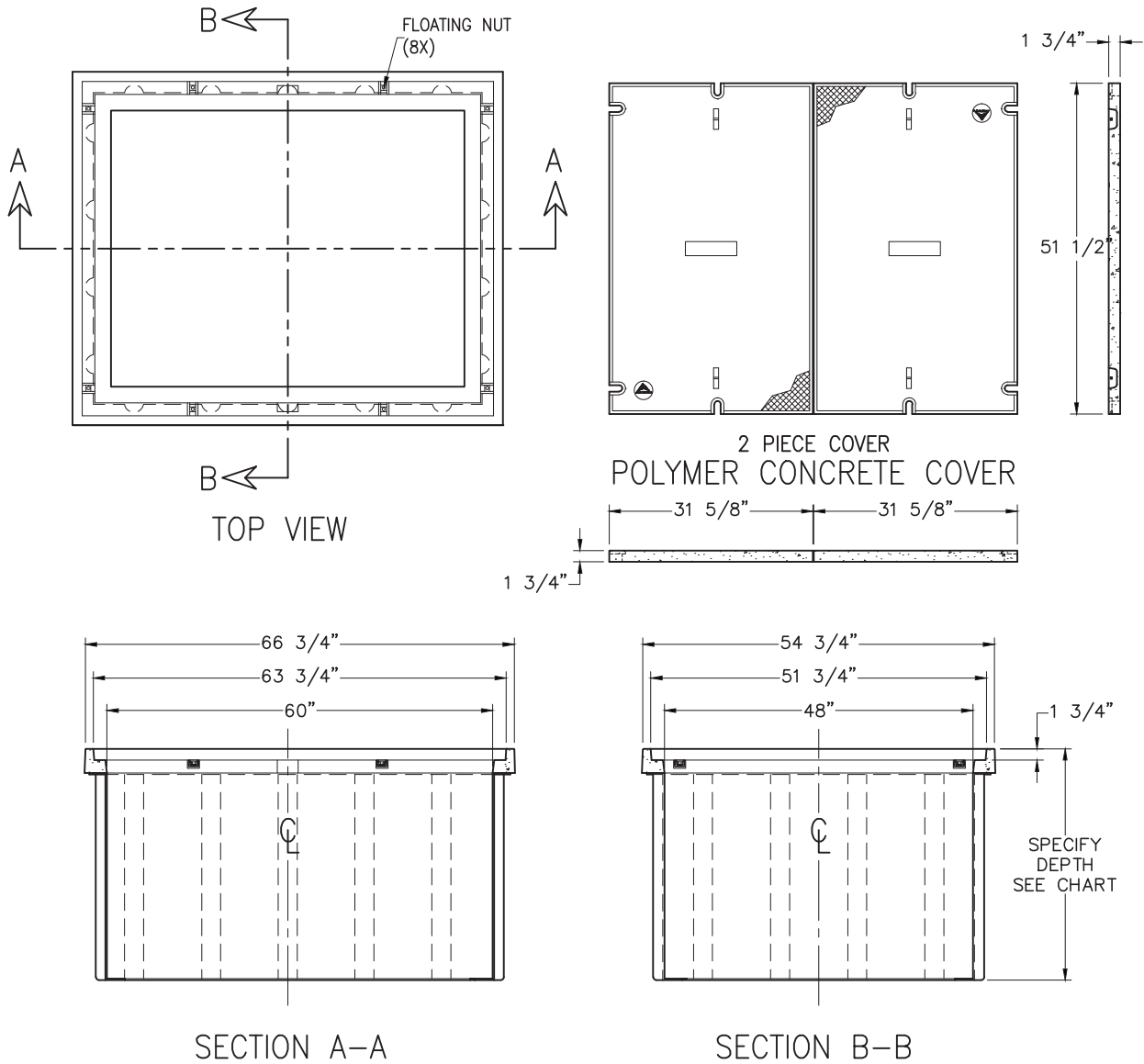
# 48" x 60" FRP VAULT ASSEMBLY

## STANDARD DIMENSIONS

FIBERGLASS

A6001447

FIBERGLASS  
VAULT & MANHOLE



Armorcast Products Company reserves the right to update or discontinue product information at any time without notice.

[www.armorcastprod.com](http://www.armorcastprod.com)

Tel: (818) 982-3600 Fax: (818) 982-7742

# 48" x 60" FRP VAULT ASSEMBLY

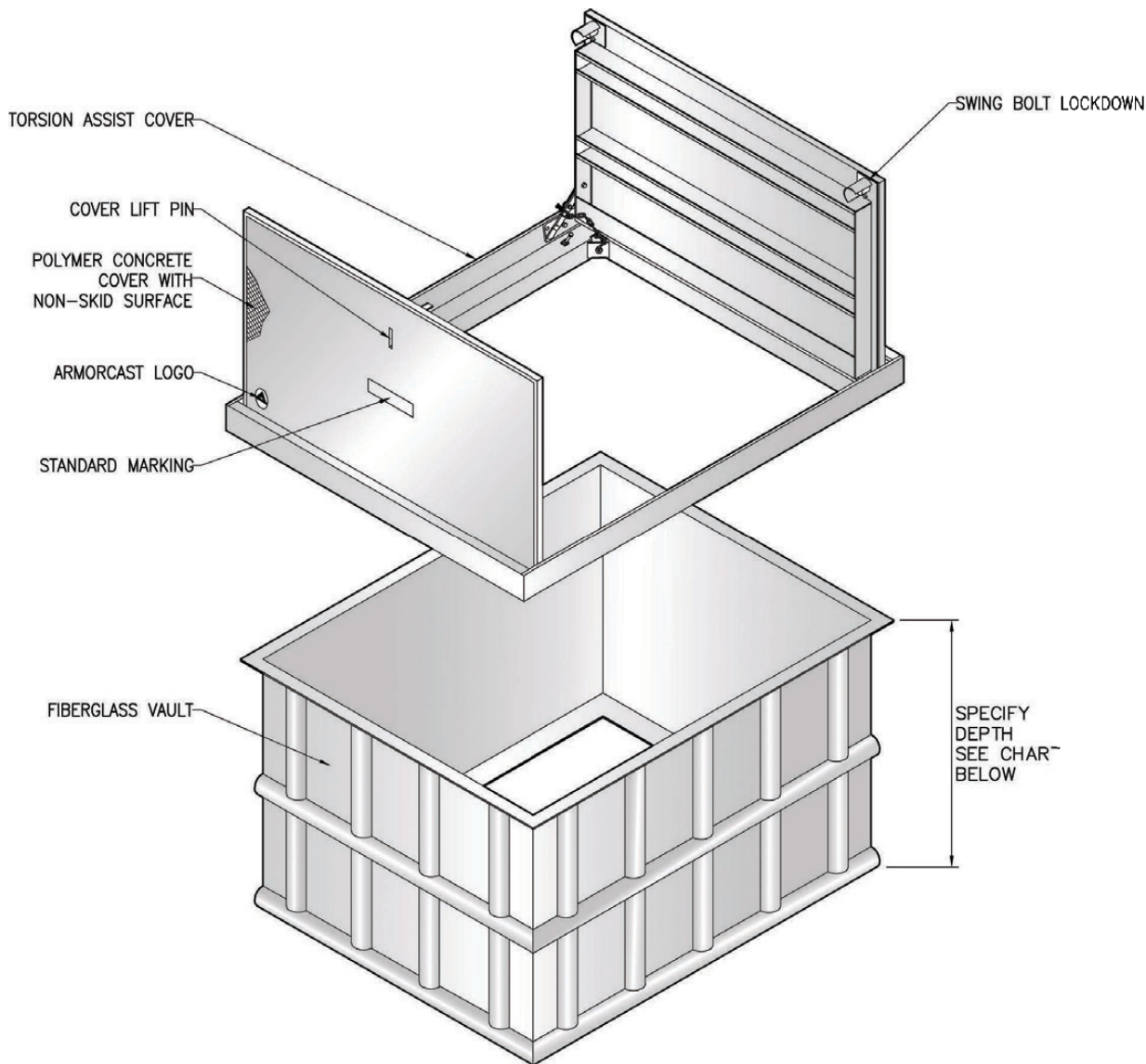
## 36" & 48" DEPTHS / TORSION ASSIST



**FIBERGLASS**

**ARMORCAST PRODUCTS COMPANY**

A6001447MT



### 48"W x 60"L FRP VAULT ASSEMBLIES Specify Depth Below

DESCRIPTION	NOMINAL SIZE W x L x D	LOAD RATING	ANSI TIER	PART NUMBER	APPROX. WEIGHT	PALLET QTY.
Vault & Cover Assembly	48" x 60" x 36"	10K	8	A6001447AX36MT	805 lbs.	1
	48" x 60" x 36"	20K	15	A6001447TAX36MT	805 lbs.	1
Vault & Cover Assembly	48" x 60" x 48"	10K	8	A6001447AX48MT	840 lbs.	1
	48" x 60" x 48"	20K	15	A6001447TAX48MT	840 lbs.	1

- Vaults are Open Bottom. Also available with Solid Bottoms.
- For sizes not shown please contact Armorcast Products for more information



# 48" x 60" FRP VAULT ASSEMBLY

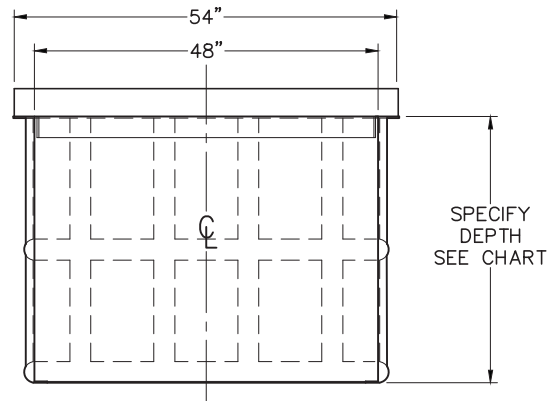
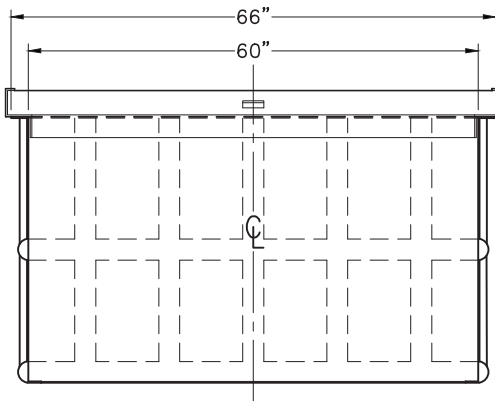
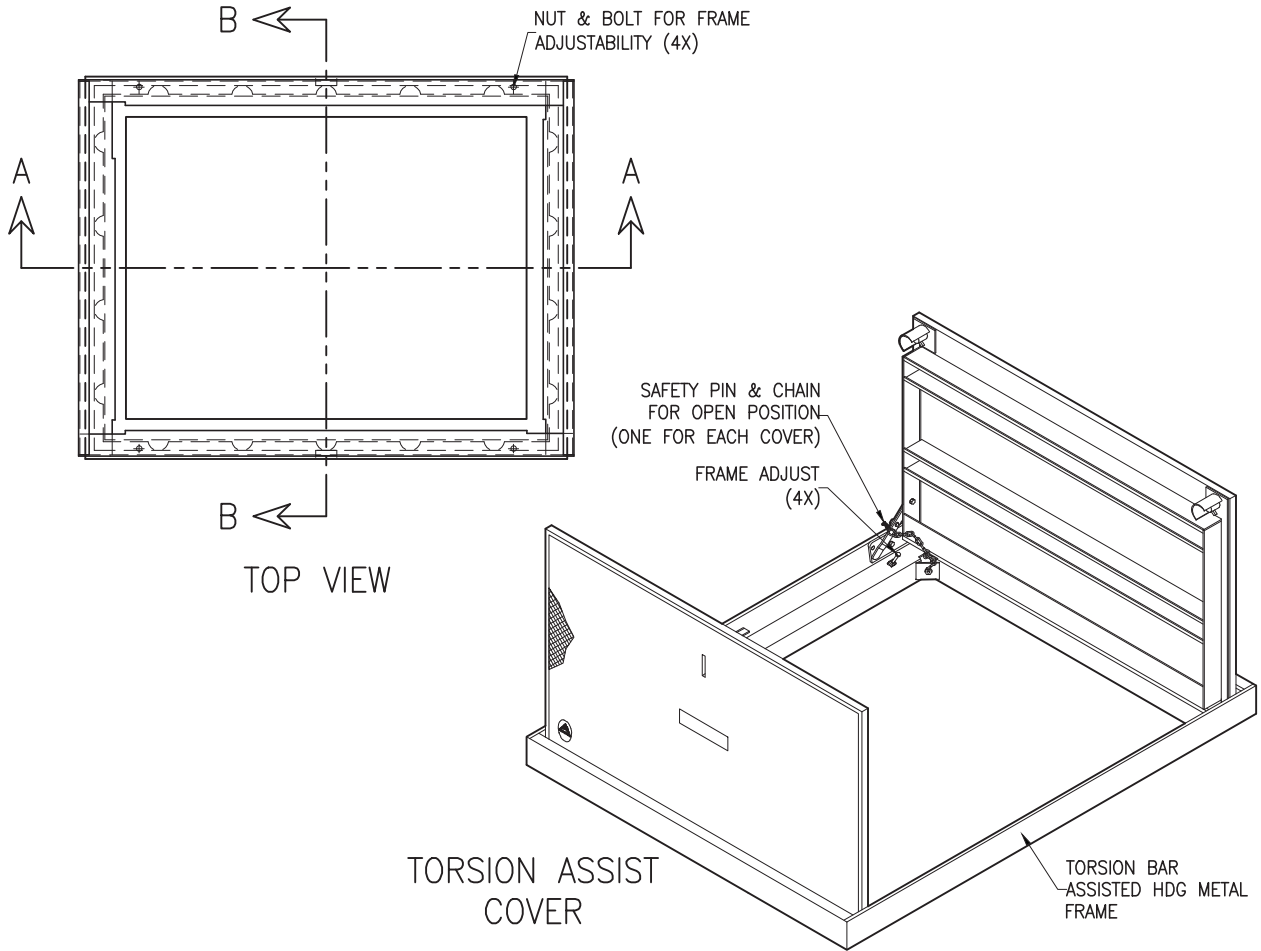
## STANDARD DIMENSIONS / TORSION ASSIST

ARMORCAST PRODUCTS COMPANY

FIBERGLASS

A6001447MT

FIBERGLASS  
VAULT & MANHOLE



Armorcast Products Company reserves the right to update or discontinue product information at any time without notice.

[www.armorcastprod.com](http://www.armorcastprod.com)

Tel: (818) 982-3600 Fax: (818) 982-7742

# 48" x 72" FRP VAULT ASSEMBLY

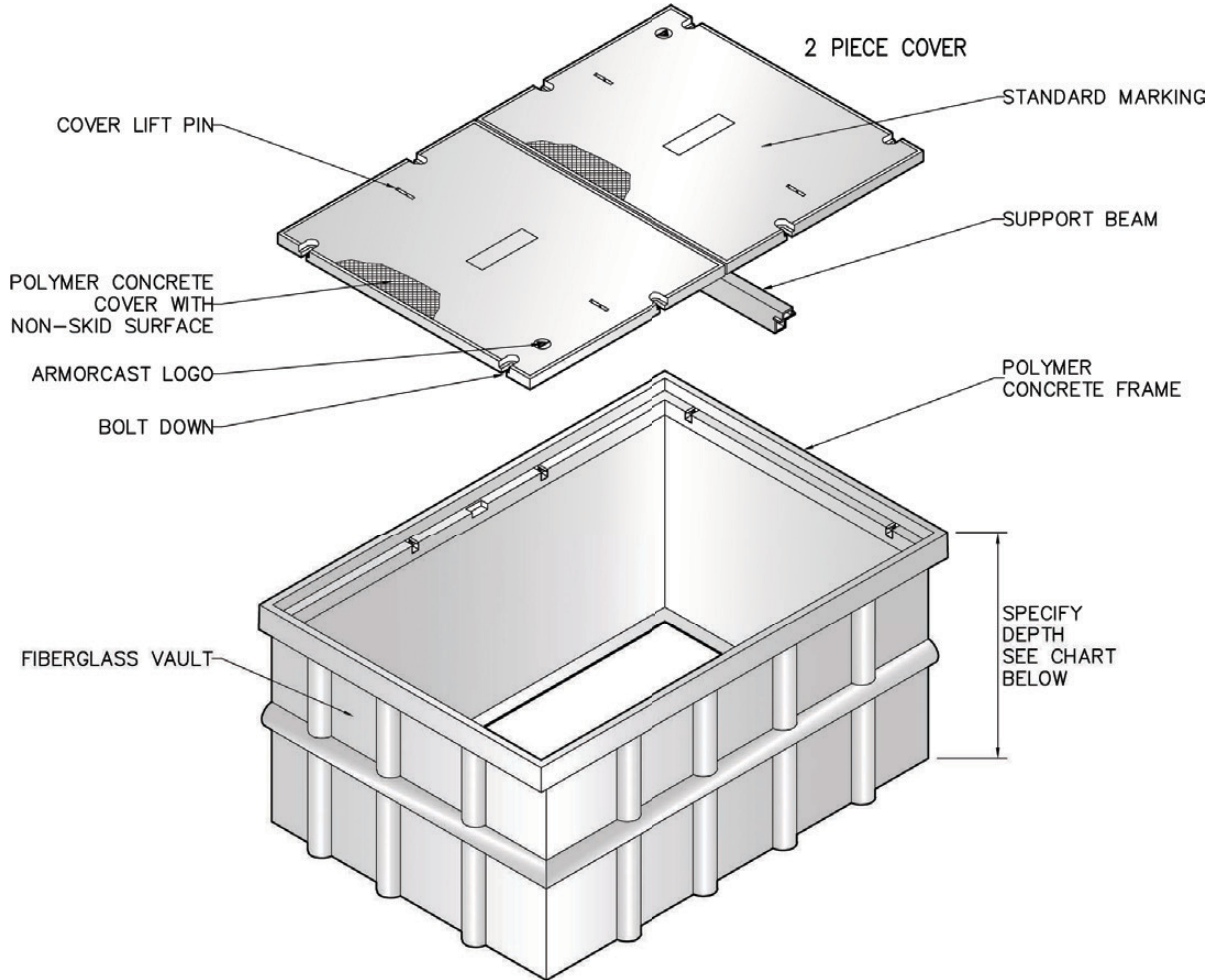
## 36" & 48" DEPTHS



**FIBERGLASS**

**ARMORCAST PRODUCTS COMPANY**

A6001506



### 48"W x 72"L FRP VAULT ASSEMBLIES Specify Depth Below

DESCRIPTION	NOMINAL SIZE W x L x D	LOAD RATING	ANSI TIER	PART NUMBER	APPROX. WEIGHT	PALLET QTY.
Vault & Cover Assembly	48" x 72" x 36"	10K	8	A6001506AX36	830 lbs.	1
	48" x 72" x 36"	20K	15	A6001506TAX36	930 lbs.	1
Vault & Cover Assembly	48" x 72" x 48"	10K	8	A6001506AX48	865 lbs.	1
	48" x 72" x 48"	20K	15	A6001506TAX48	965 lbs.	1

### COMPONENTS

DESCRIPTION	NOMINAL SIZE W x L x D	LOAD RATING	ANSI TIER	PART NUMBER	APPROX. WEIGHT	PALLET QTY.
Replacement Covers	48" x 72" - 2 pc.	10K	8	A6001633	195 lbs.	1
	48" x 72" - 2 pc.	20K	15	A6001633T	195 lbs.	1
Replacement Vault	48" x 72" x 36"	10K / 20K	8 / 15	A6001506X36	210 lbs.	1
	48" x 36" x 48"	10K / 20K	8 / 15	A6001506X48	245 lbs.	1

- Vaults are Open Bottom. Also available with Solid Bottoms.
- For sizes not shown please contact Armorcast Products for more information





ARMORCAST PRODUCTS COMPANY

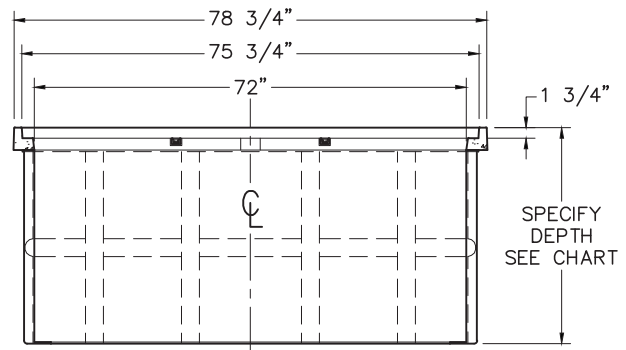
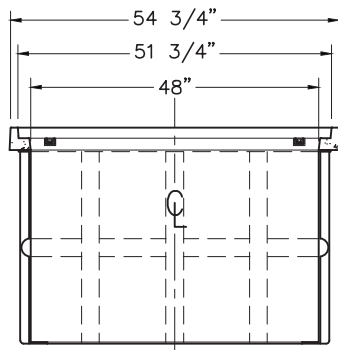
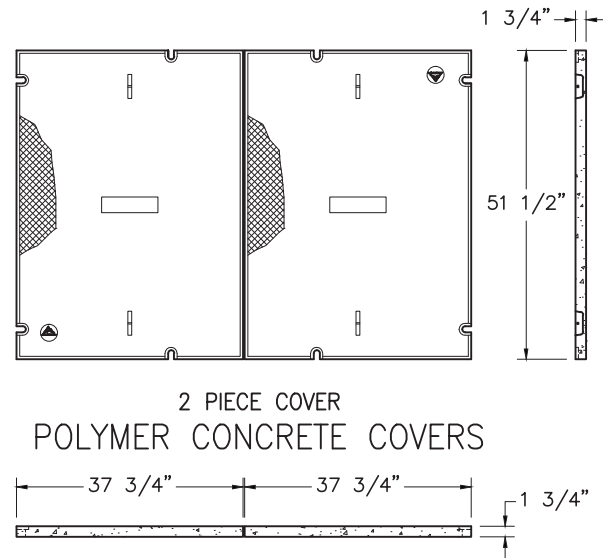
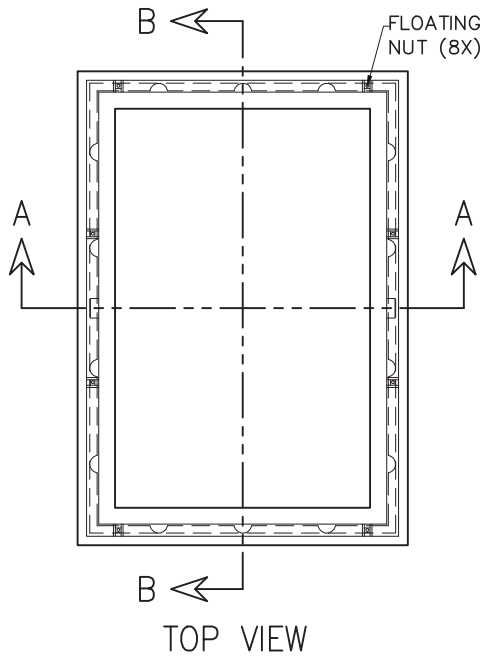
# 48" x 72" FRP VAULT ASSEMBLY

## STANDARD DIMENSIONS

FIBERGLASS

A6001506

FIBERGLASS  
VAULT & MANHOLE



Armorcast Products Company reserves the right to update or discontinue product information at any time without notice.

[www.armorcastprod.com](http://www.armorcastprod.com)

Tel: (818) 982-3600 Fax: (818) 982-7742

# 48" x 72" FRP VAULT ASSEMBLY

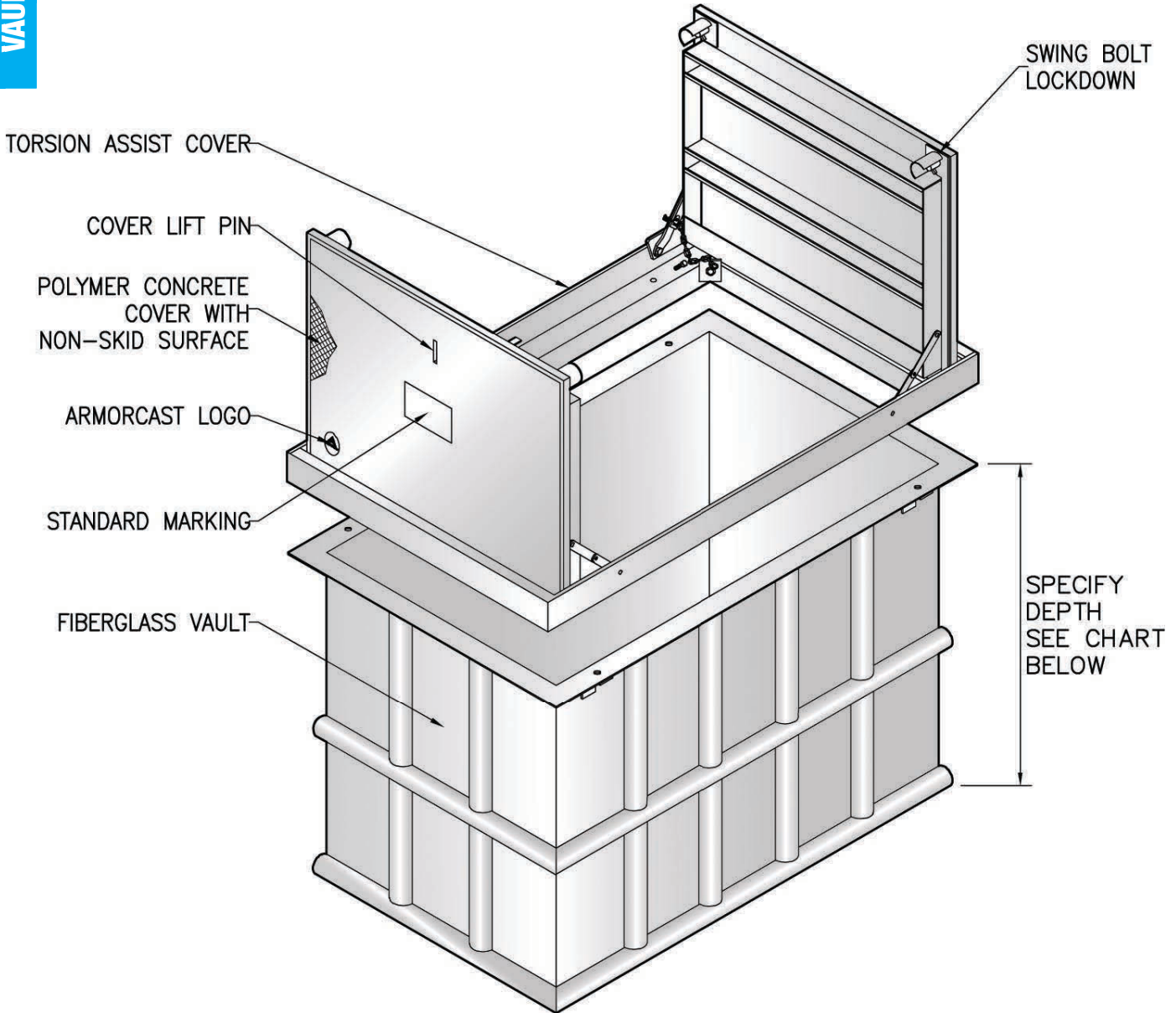
36" & 48" DEPTHS / TORSION ASSIST



**FIBERGLASS**

**ARMORCAST PRODUCTS COMPANY**

A6001506MT



## 48"W x 72"L FRP VAULT ASSEMBLIES Specify Depth Below

DESCRIPTION	NOMINAL SIZE W x L x D	LOAD RATING	ANSI TIER	PART NUMBER	APPROX. WEIGHT	PALLET QTY.
Vault & Cover Assembly	48" x 72" x 36"	10K	8	A6001506AX36MT	980 lbs.	1
	48" x 72" x 36"	20K	15	A6001506TAX36MT	980 lbs.	1
Vault & Cover Assembly	48" x 72" x 48"	10K	8	A6001506AX48 MT	1015 lbs.	1
	48" x 72" x 48"	20K	15	A6001506TAX48MT	1015 lbs.	1

- Vaults are Open Bottom. Also available with Solid Bottoms.
- For sizes not shown please contact Armorcast Products for more information



ARMORCAST PRODUCTS COMPANY

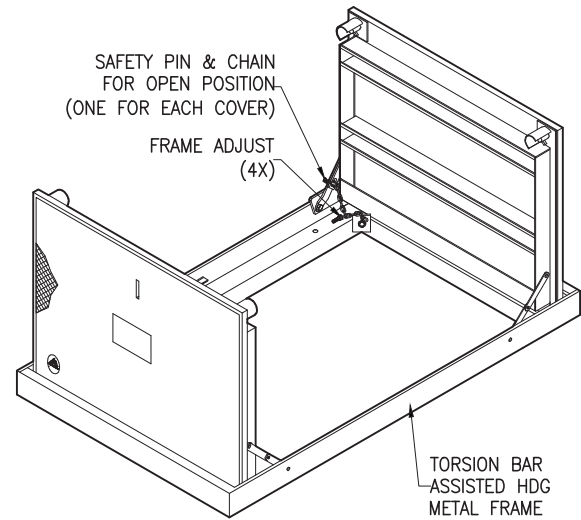
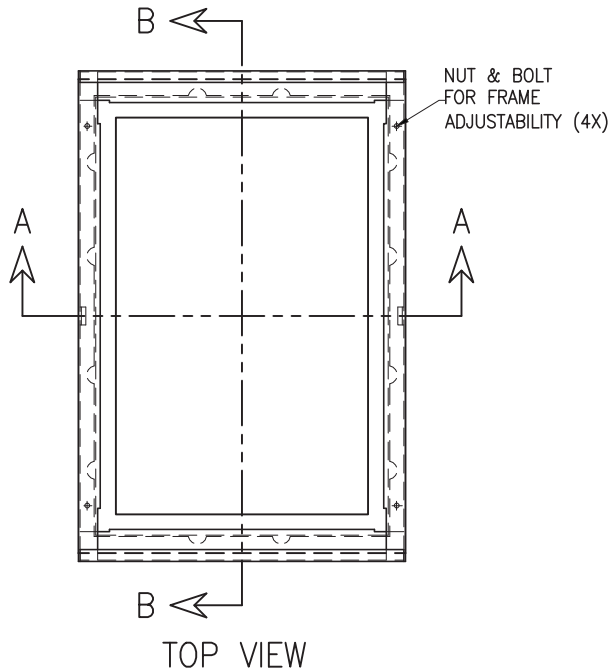
# 48" x 72" FRP VAULT ASSEMBLY

## STANDARD DIMENSIONS / TORSION ASSIST

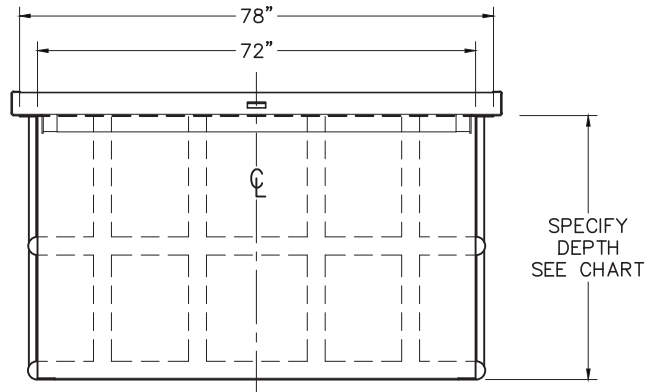
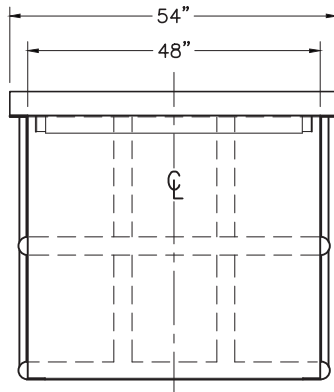
FIBERGLASS

A6001506MT

FIBERGLASS  
VAULT & MANHOLE



TORSION ASSIST COVER



Armorcast Products Company reserves the right to update or discontinue product information at any time without notice.

[www.armorcastprod.com](http://www.armorcastprod.com)

Tel: (818) 982-3600 Fax: (818) 982-7742

# 48" x 72" FRP MANHOLE ASSEMBLY

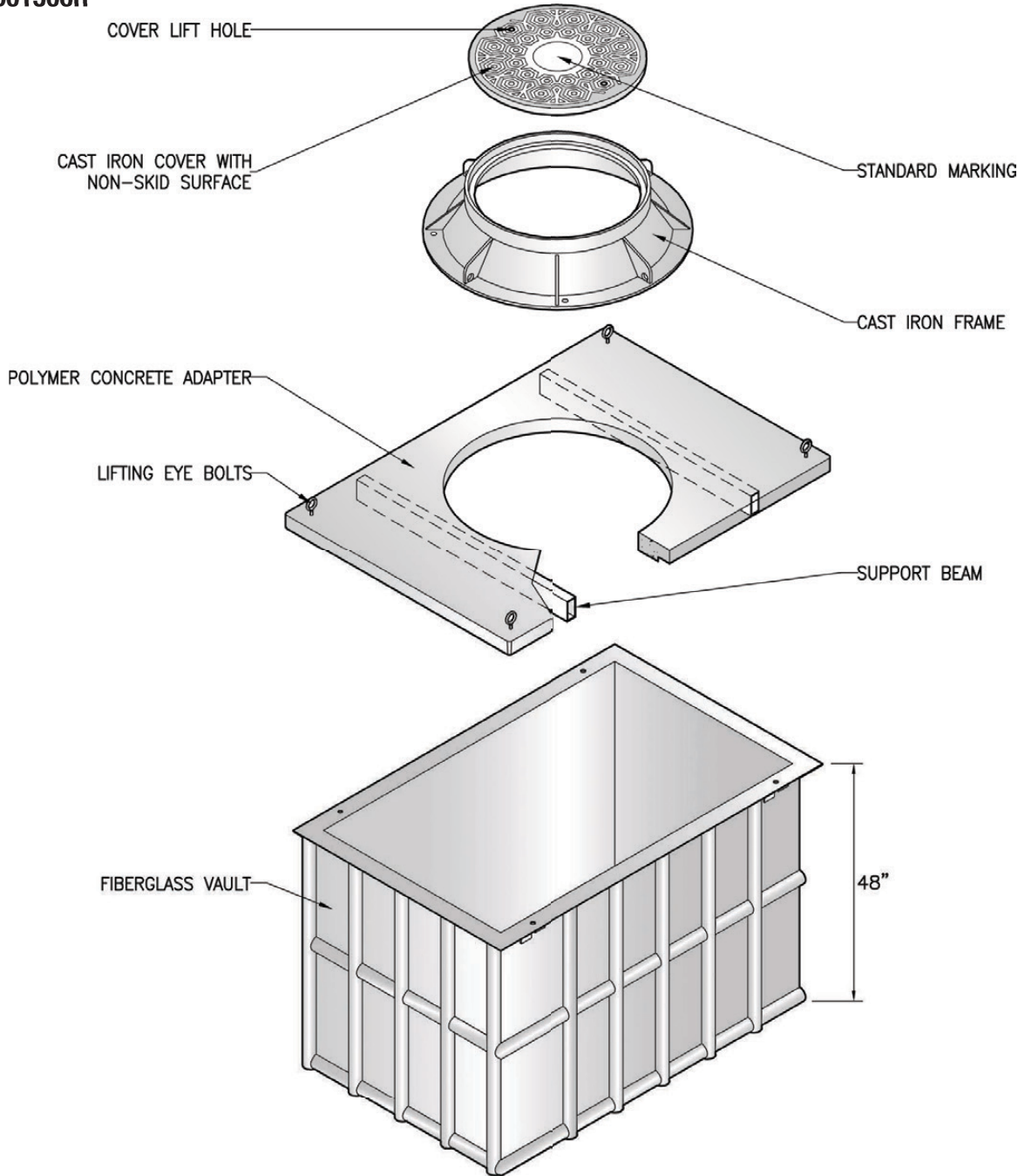
## 48" DEPTH



**FIBERGLASS**

**ARMORCAST PRODUCTS COMPANY**

**A6001506H**



### 48"W x 72"L FRP MANHOLE ASSEMBLIES Specify Depth Below

DESCRIPTION	NOMINAL SIZE W x L x D	LOAD RATING	ANSI TIER	PART NUMBER	APPROX. WEIGHT	PALLET QTY.
Vault & Cover Assembly	48" x 72" x 48"	H20	-	A6001506HTAX48B	1750 lbs.	1

- Solid Bottom and includes Cast Iron Ring & Cover
- For sizes not shown please contact Armorcast Products for more information



ARMORCAST PRODUCTS COMPANY

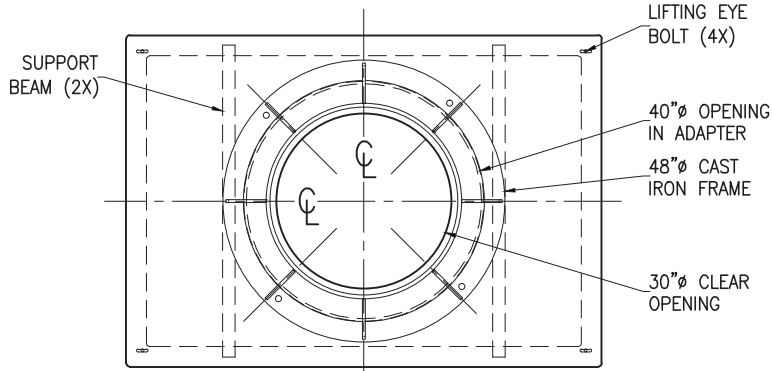
# 48" x 72" FRP MANHOLE ASSEMBLY

## STANDARD DIMENSIONS

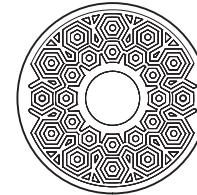
FIBERGLASS

A6001506H

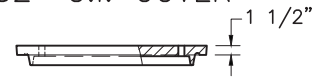
FIBERGLASS  
VAULT & MANHOLE



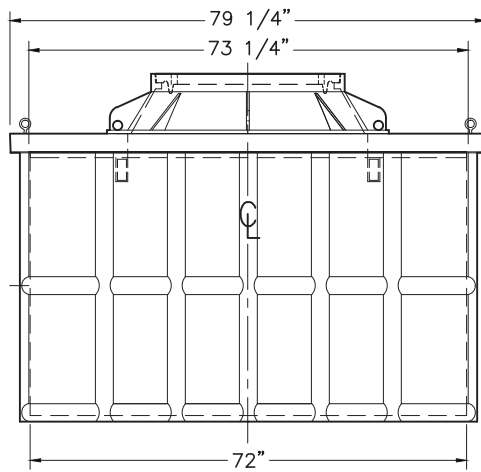
TOP VIEW



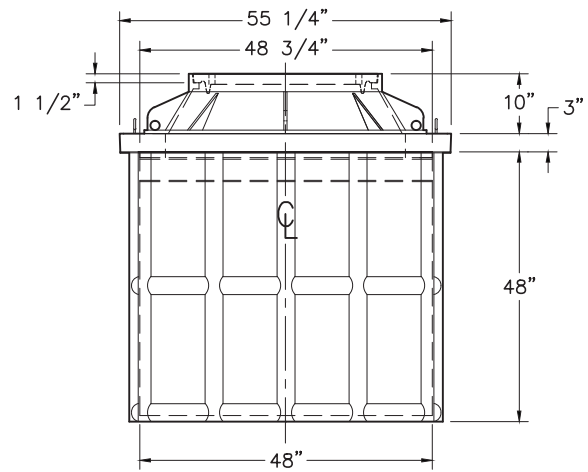
TOP VIEW  
32" C.I. COVER



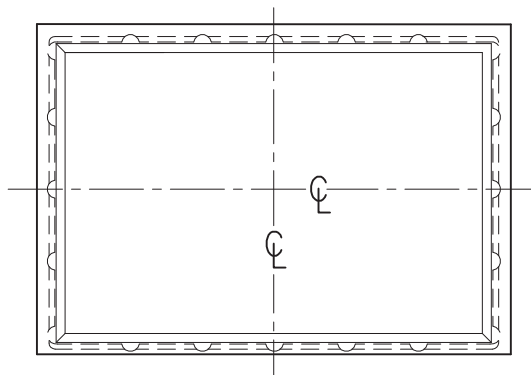
SECTION - C.I. COVER



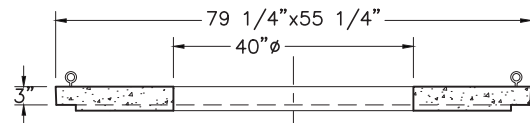
SIDE VIEW



END VIEW



POLYMER CONCRETE MANHOLE  
TOP VIEW



SECTION -  
POLYMER CONCRETE ADAPTER

Armorcast Products Company reserves the right to update or discontinue product information at any time without notice.

[www.armorcastprod.com](http://www.armorcastprod.com)

Tel: (818) 982-3600 Fax: (818) 982-7742

# 48" x 78" FRP VAULT ASSEMBLY

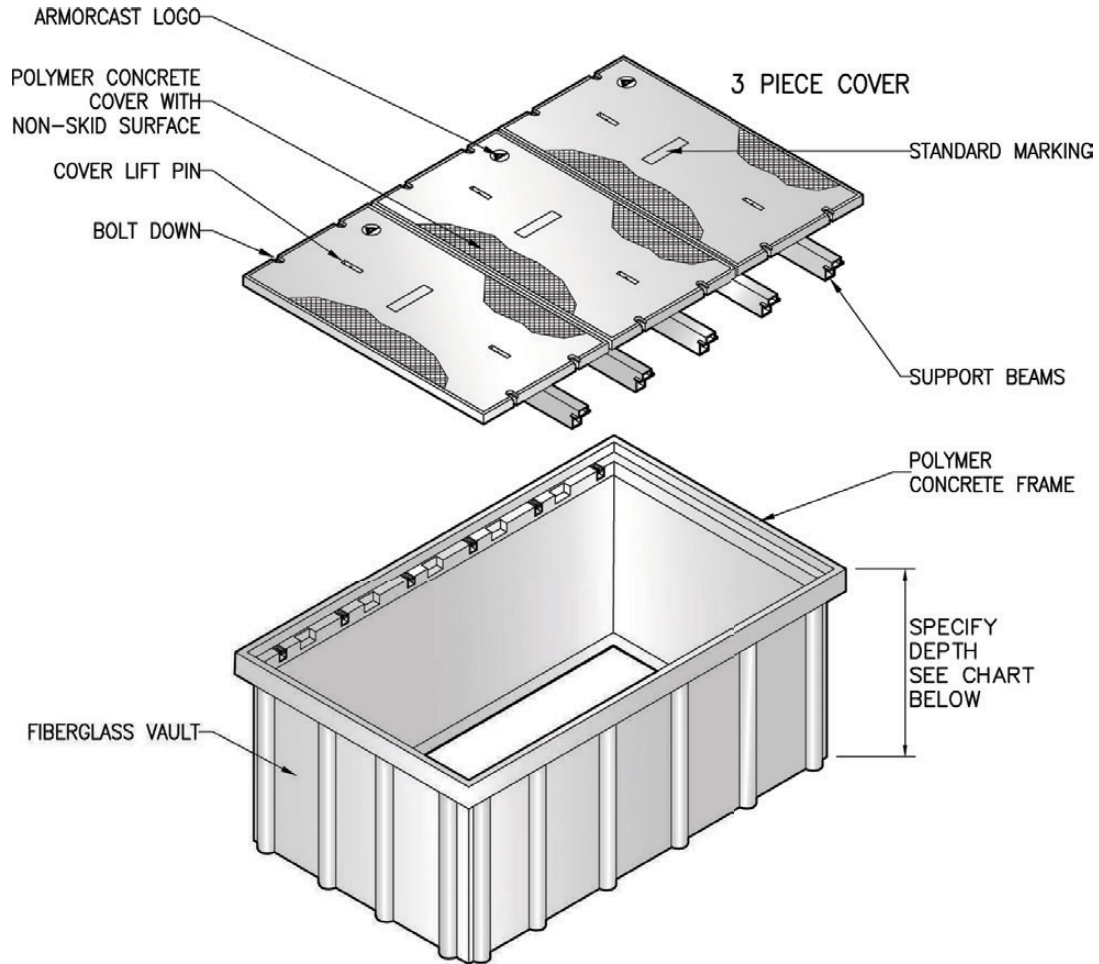
## 36" & 48" DEPTHS



**FIBERGLASS**

**ARMORCAST PRODUCTS COMPANY**

A6001448



### 48"W x 78"L FRP VAULT ASSEMBLIES Specify Depth Below

DESCRIPTION	NOMINAL SIZE W x L x D	LOAD RATING	ANSI TIER	PART NUMBER	APPROX. WEIGHT	PALLET QTY.
Vault & Cover Assembly	48" x 78" x 36"	10K	8	A6001448AX36	1050 lbs.	1
	48" x 78" x 36"	20K	15	A6001448TAX36	1150 lbs.	1
Vault & Cover Assembly	48" x 78" x 48"	10K	8	A6001448AX48	1080 lbs.	1
	48" x 78" x 48"	20K	15	A6001448TAX48	1180 lbs.	1

### COMPONENTS

DESCRIPTION	NOMINAL SIZE W x L x D	LOAD RATING	ANSI TIER	PART NUMBER	APPROX. WEIGHT	PALLET QTY.
Replacement Covers	48" x 72" - 3 pc.	10K	8	A6001673	165 lbs.	10
	48" x 72" - 3 pc.	20K	15	A6001673T	165 lbs.	10
Replacement Vault	48" x 72" x 36"	10K / 20K	8 / 15	A6001448X36	295 lbs.	1
	48" x 36" x 48"	10K / 20K	8 / 15	A6001448X48	320 lbs.	1

- Vaults are Open Bottom. Also available with Solid Bottoms.
- For sizes not shown please contact Armorcast Products for more information



ARMORCAST PRODUCTS COMPANY

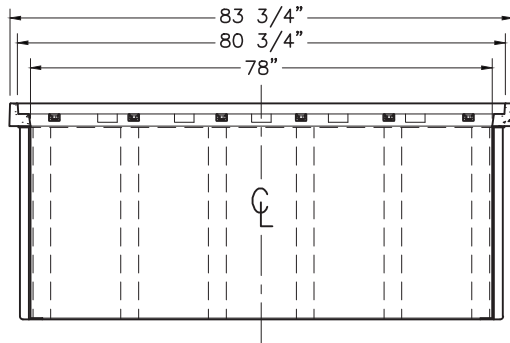
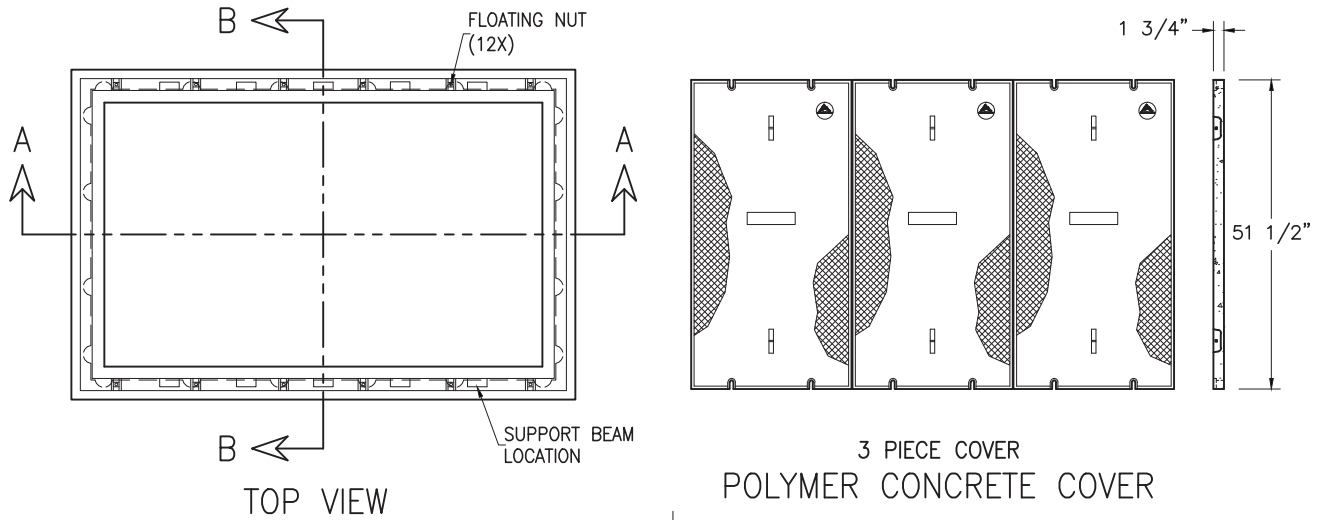
# 48" x 78" FRP VAULT ASSEMBLY

## STANDARD DIMENSIONS

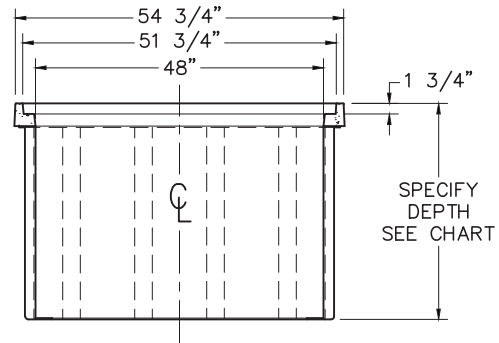
FIBERGLASS

A6001448

FIBERGLASS  
VAULT & MANHOLE



SECTION A-A



SECTION B-B

Armorcast Products Company reserves the right to update or discontinue product information at any time without notice.

[www.armorcastprod.com](http://www.armorcastprod.com)

Tel: (818) 982-3600 Fax: (818) 982-7742

# 48" x 96" FRP VAULT ASSEMBLY

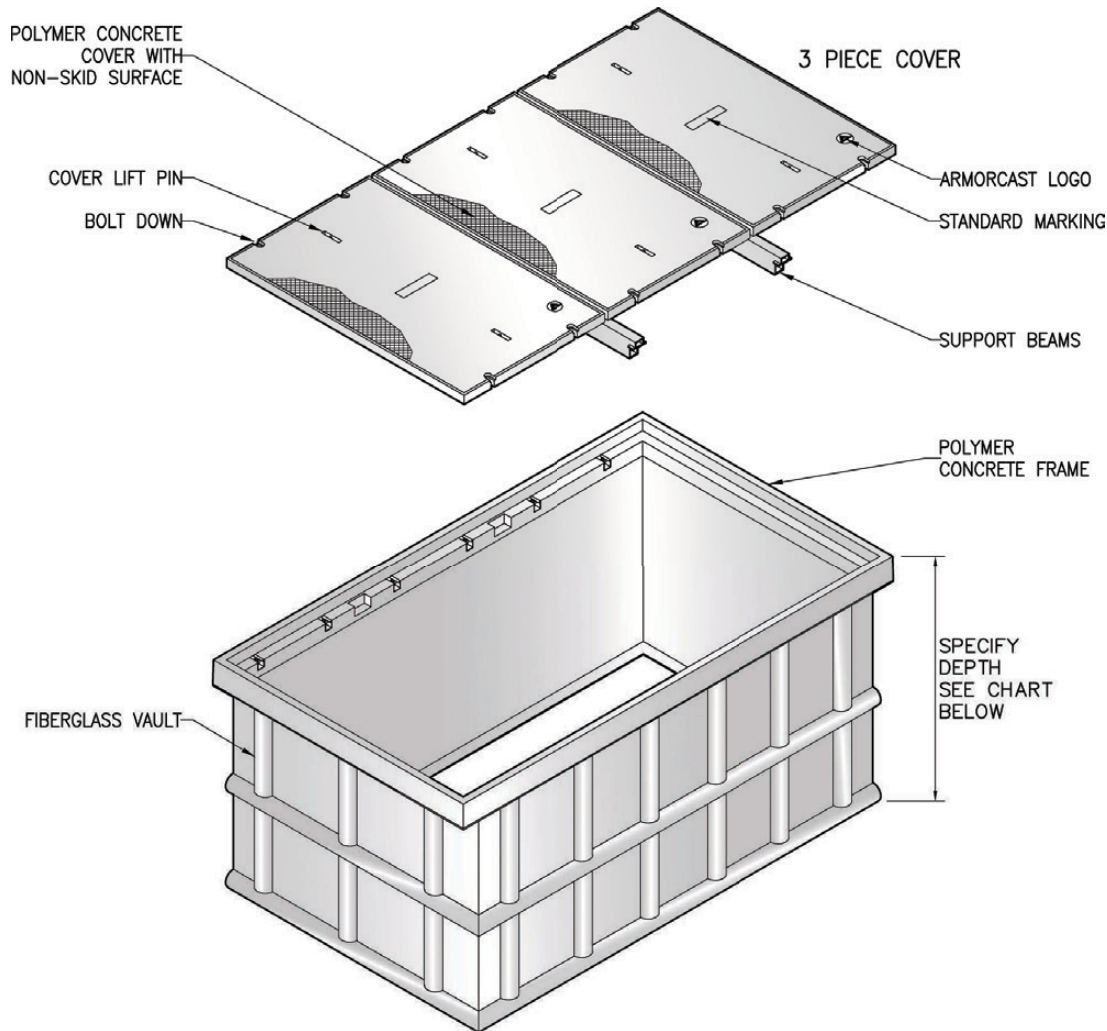
## 36" & 48" DEPTHS



**FIBERGLASS**

**ARMORCAST PRODUCTS COMPANY**

A6001449



### 48"W x 96"L FRP VAULT ASSEMBLIES Specify Depth Below

DESCRIPTION	NOMINAL SIZE W x L x D	LOAD RATING	ANSI TIER	PART NUMBER	APPROX. WEIGHT	PALLET QTY.
Vault & Cover Assembly	48" x 96" x 36"	10K	8	A6001449AX36	1315 lbs.	1
	48" x 96" x 36"	20K	15	A6001449TAX36	1450 lbs.	1
Vault & Cover Assembly	48" x 96" x 48"	10K	8	A6001449AX48	1345 lbs.	1
	48" x 96" x 48"	20K	15	A6001449TAX48	1480 lbs.	1

### COMPONENTS

DESCRIPTION	NOMINAL SIZE W x L x D	LOAD RATING	ANSI TIER	PART NUMBER	APPROX. WEIGHT	PALLET QTY.
Replacement Covers	48" x 96" - 3 pc.	10K	8	A6001671	210 lbs.	10
	48" x 96" - 3 pc.	20K	15	A6001671T	210 lbs.	10
Replacement Vault	48" x 96" x 36"	10K / 20K	8 / 15	A6001449X36	320 lbs.	1
	48" x 96" x 48"	10K / 20K	8 / 15	A6001449X48	345 lbs.	1

- Vaults are Open Bottom. Also available with Solid Bottoms.
- For sizes not shown please contact Armorcast Products for more information





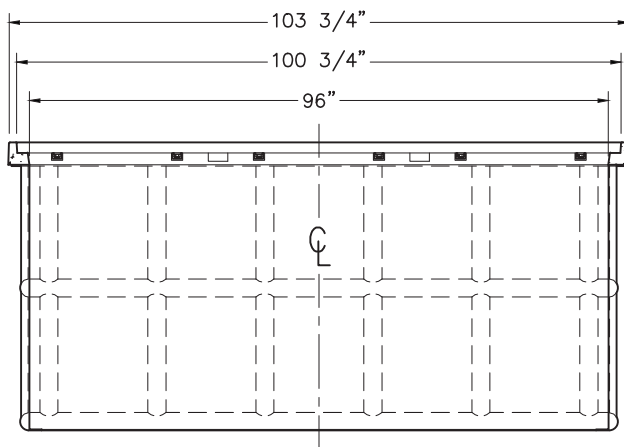
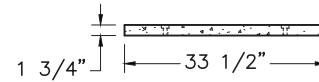
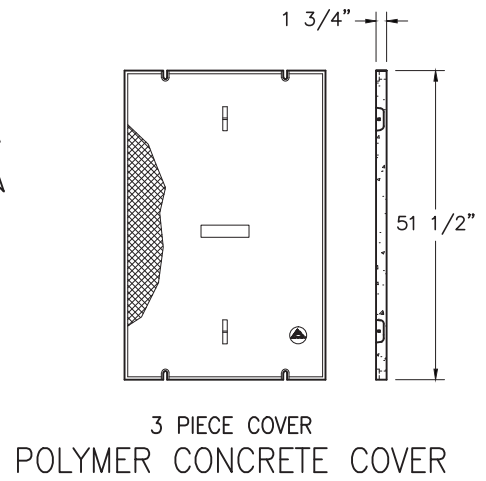
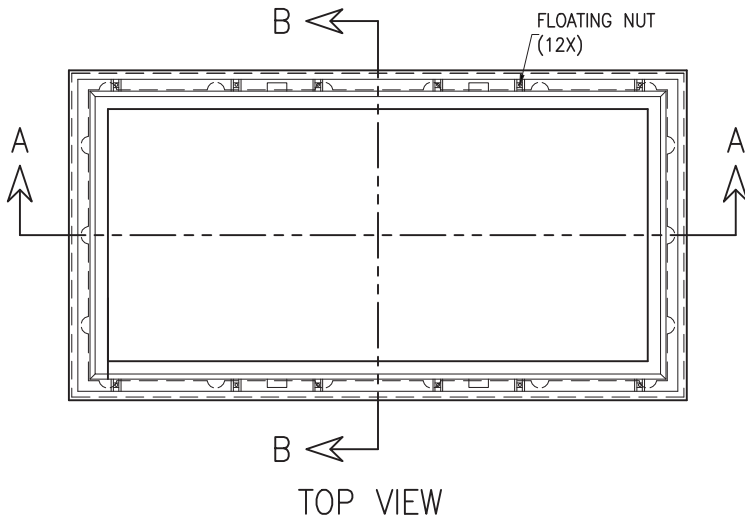
ARMORCAST PRODUCTS COMPANY

# 48" x 96" FRP VAULT ASSEMBLY STANDARD DIMENSIONS

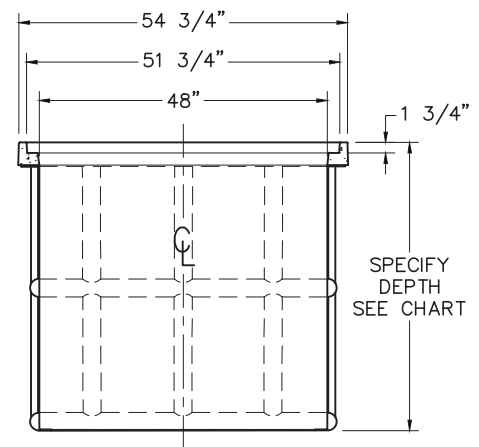
FIBERGLASS

A6001449

FIBERGLASS  
VAULT & MANHOLE



SECTION A-A



SECTION B-B

Armorcast Products Company reserves the right to update or discontinue product information at any time without notice.

[www.armorcastprod.com](http://www.armorcastprod.com)

Tel: (818) 982-3600 Fax: (818) 982-7742

# 48" x 96" FRP VAULT ASSEMBLY

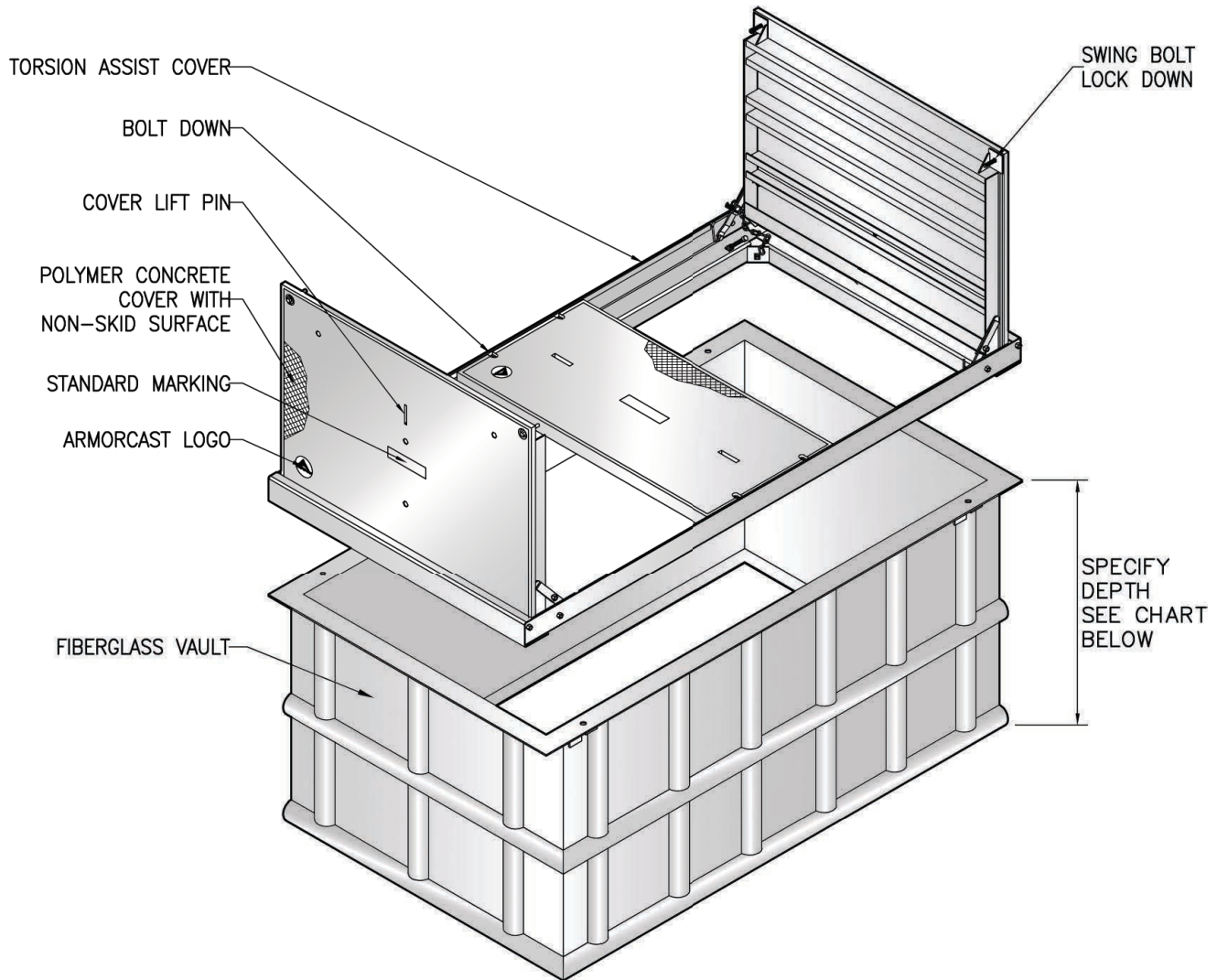
## 36" & 48" DEPTHS / TORSION ASSIST



**FIBERGLASS**

**ARMORCAST PRODUCTS COMPANY**

**A6001449MT**



### 48"W x 96"L FRP VAULT ASSEMBLIES Specify Depth Below

DESCRIPTION	NOMINAL SIZE W x L x D	LOAD RATING	ANSI TIER	PART NUMBER	APPROX. WEIGHT	PALLET QTY.
Vault & Cover Assembly	48" x 96" x 36"	10K	8	A6001449AX36MT	1300 lbs.	1
	48" x 96" x 36"	20K	15	A6001449TAX36MT	1300 lbs.	1
Vault & Cover Assembly	48" x 96" x 48"	10K	8	A6001449AX48MT	1335 lbs.	1
	48" x 96" x 48"	20K	15	A6001449TAX48MT	1335 lbs.	1

- Vaults are Open Bottom. Also available with Solid Bottoms.
- For sizes not shown please contact Armorcast Products for more information

[www.armorcastprod.com](http://www.armorcastprod.com)

Tel: (818) 982-3600 Fax: (818) 982-7742



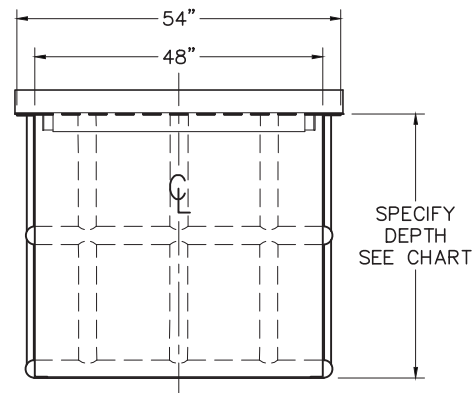
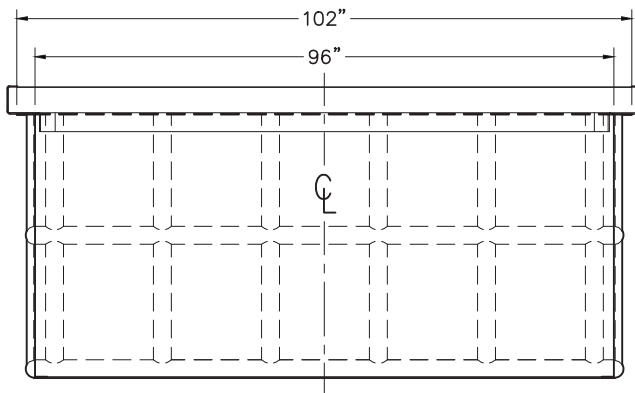
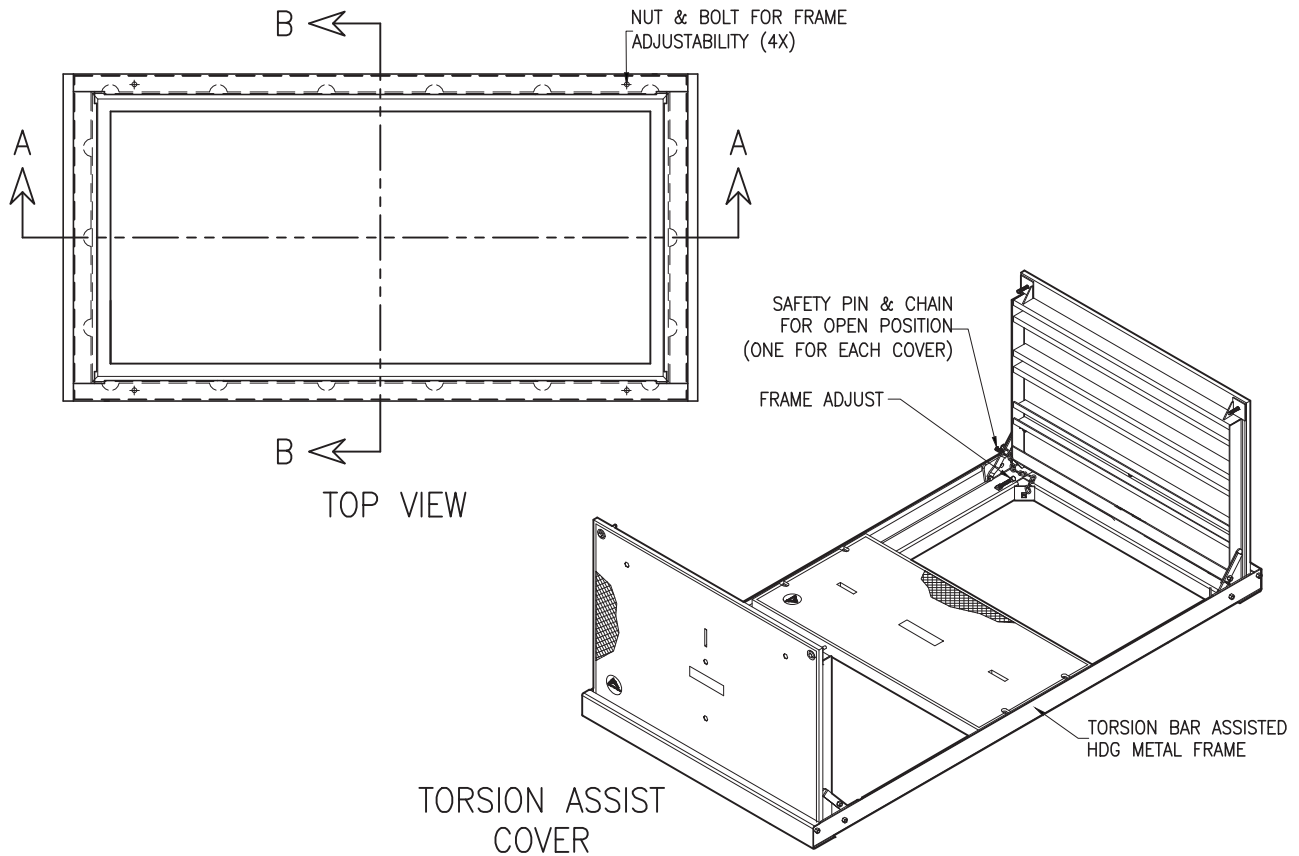
ARMORCAST PRODUCTS COMPANY

# 48" x 96" FRP VAULT ASSEMBLY STANDARD DIMENSIONS / TORSION ASSIST

FIBERGLASS

A6001449MT

FIBERGLASS  
VAULT & MANHOLE



Armorcast Products Company reserves the right to update or discontinue product information at any time without notice.

[www.armorcastprod.com](http://www.armorcastprod.com)

Tel: (818) 982-3600 Fax: (818) 982-7742

# 48" x 96" FRP MANHOLE ASSEMBLY

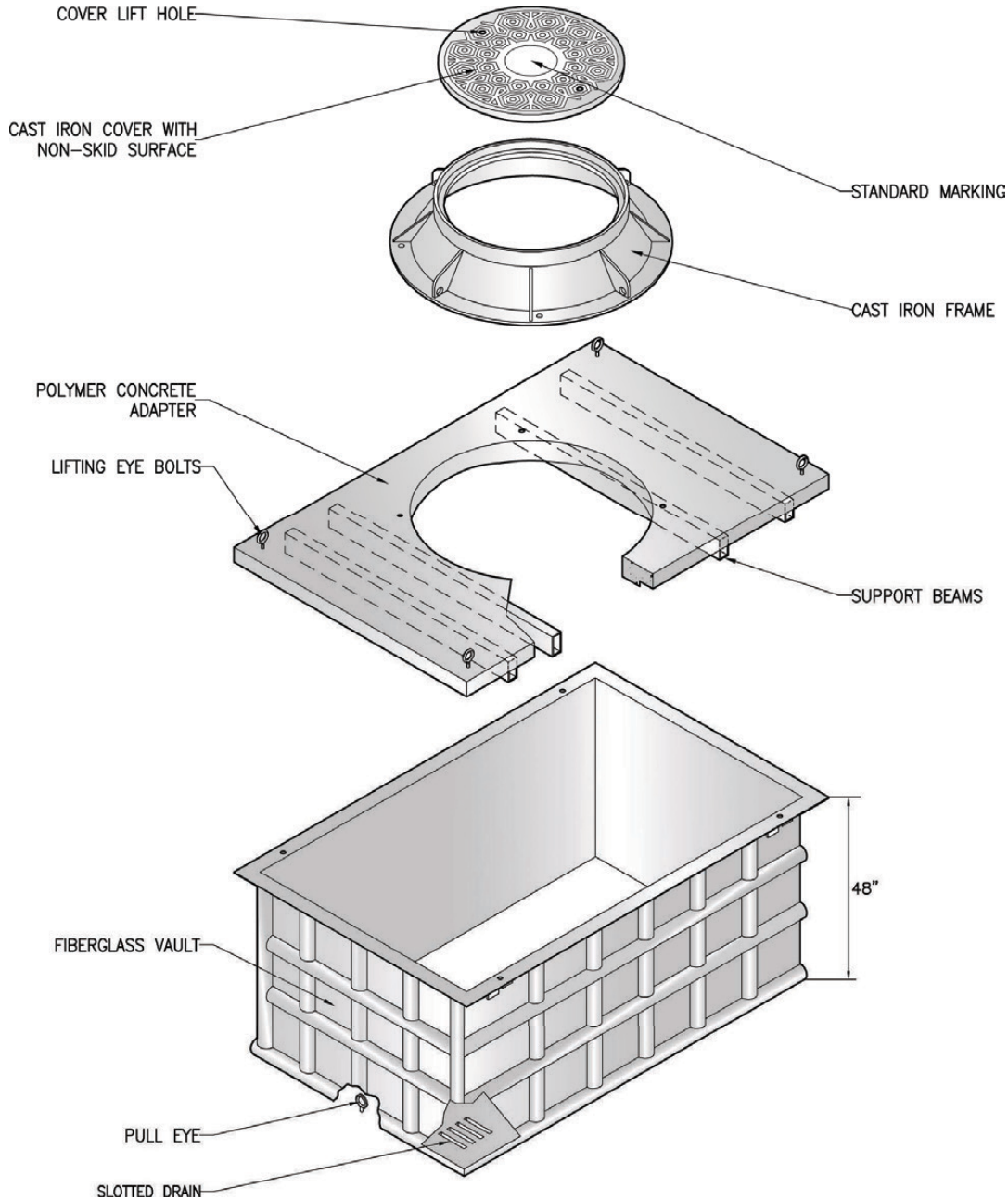
## 48" DEPTH



**FIBERGLASS**

**ARMORCAST PRODUCTS COMPANY**

**A6001449H**



### 48"W x 96"L FRP MANHOLE ASSEMBLIES Specify Depth Below

DESCRIPTION	NOMINAL SIZE W x L x D	LOAD RATING	ANSI TIER	PART NUMBER	APPROX. WEIGHT	PALLET QTY.
Vault & Cover Assembly	48" x 96" x 48"	20K	15	A6001449HTAX48B	1950 lbs.	1

- Solid Bottom and includes Cast Iron Ring & Cover
- For sizes not shown please contact Armorcast Products for more information



ARMORCAST PRODUCTS COMPANY

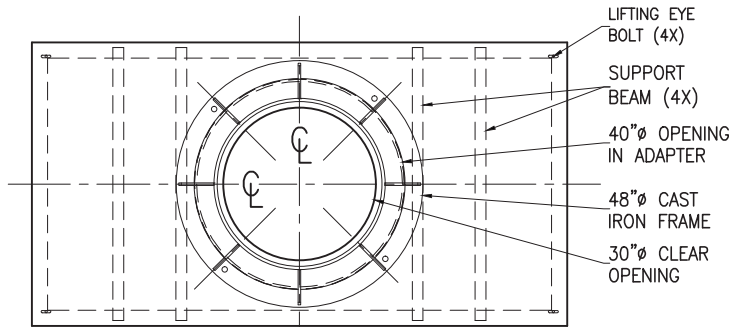
# 48" x 96" FRP MANHOLE ASSEMBLY

## STANDARD DIMENSIONS

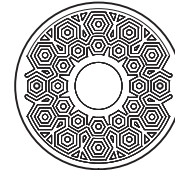
FIBERGLASS

A6001449H

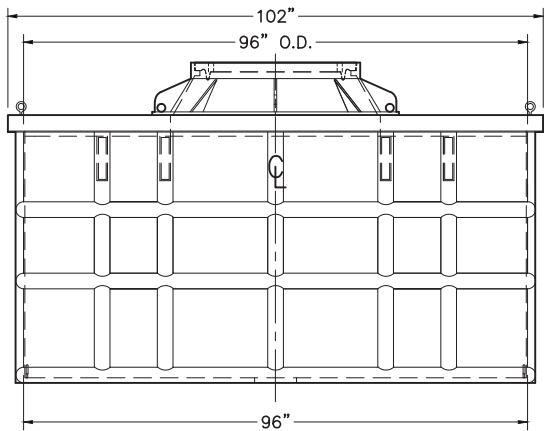
FIBERGLASS  
VAULT & MANHOLE



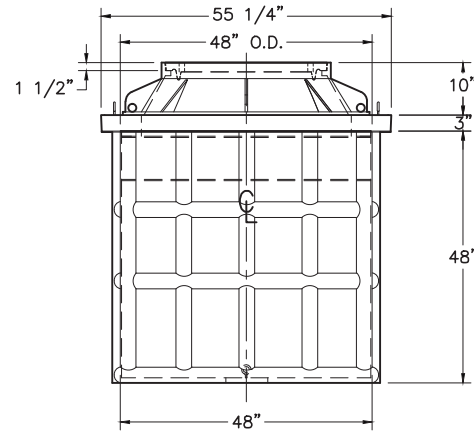
TOP VIEW



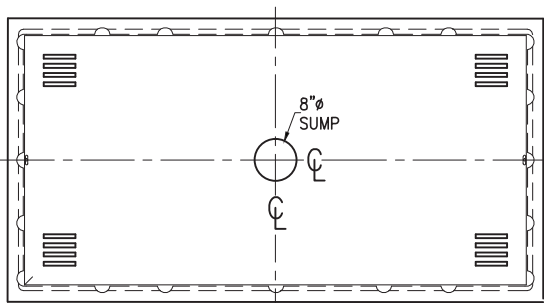
SECTION - C.I. COVER



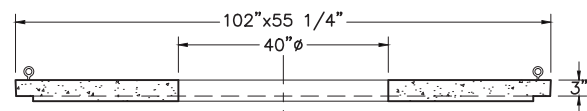
SIDE VIEW



END VIEW



POLYMER CONCRETE MANHOLE  
TOP VIEW



SECTION -  
POLYMER CONCRETE ADAPTER

Armorcast Products Company reserves the right to update or discontinue product information at any time without notice.

[www.armorcastprod.com](http://www.armorcastprod.com)

Tel: (818) 982-3600 Fax: (818) 982-7742

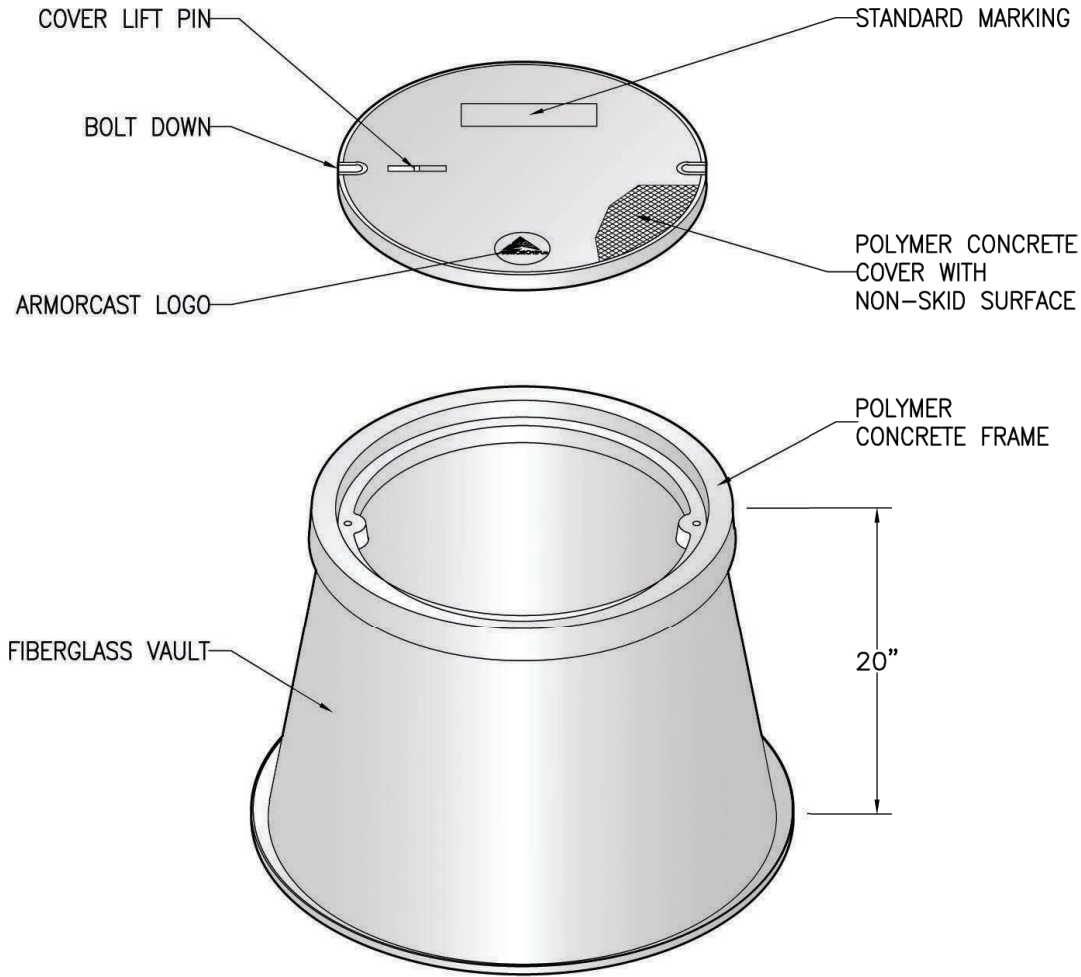
# 19" ROUND FRP VAULT ASSEMBLY



**FIBERGLASS**

**ARMORCAST PRODUCTS COMPANY**

A6001545



## 19" DIA. FRP VAULT ASSEMBLY

DESCRIPTION	NOMINAL SIZE DIA. X DEPTH	LOAD RATING	ANSI TIER	PART NUMBER	APPROX. WEIGHT	PALLET QTY.
Round Vault & Cover Assembly	19" x 20"	10K	8	A6001545A	50 lbs.	16
	19" x 20"	20K	15	A6001545TA	50 lbs.	16

## COMPONENTS

DESCRIPTION	NOMINAL SIZE	LOAD RATING	ANSI TIER	PART NUMBER	APPROX. WEIGHT	PALLET QTY.
Replacement Cover	19"	10K / 20K	8 / 15	A6000970	20 lbs.	40
Replacement Vault	19" x 20"	10K / 20K	8 / 15	A60001545	30 lbs.	16

• For sizes not shown please contact Armorcast Products for more information



ARMORCAST PRODUCTS COMPANY

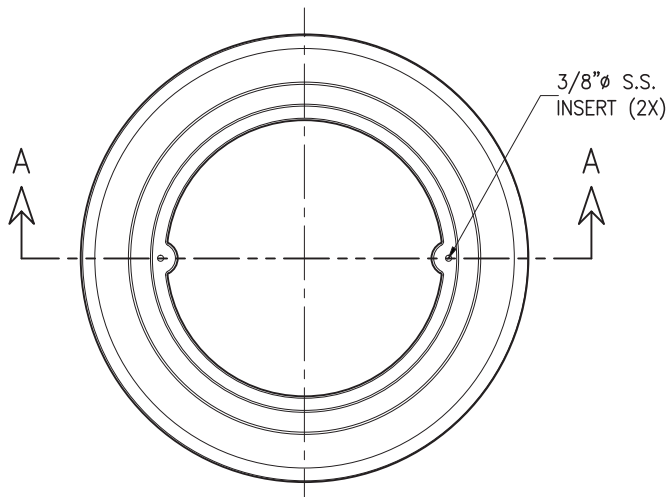
# 19" ROUND FRP VAULT ASSEMBLY

## STANDARD DIMENSIONS

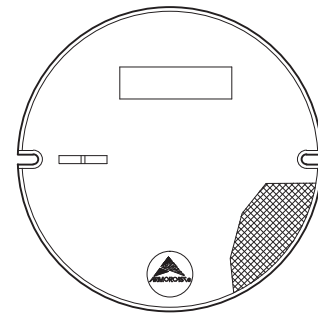
FIBERGLASS

A6001545

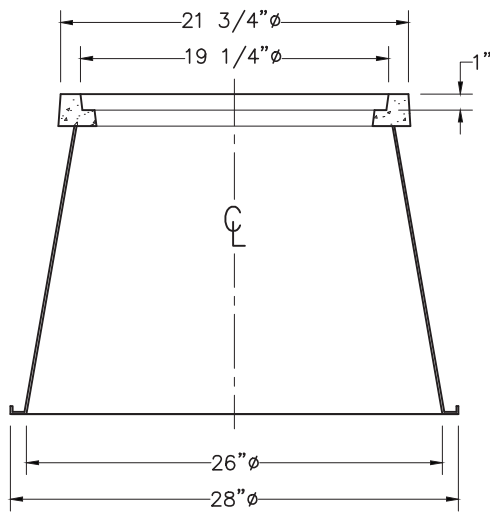
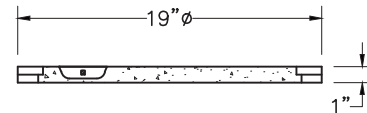
FIBERGLASS  
VAULT & MANHOLE



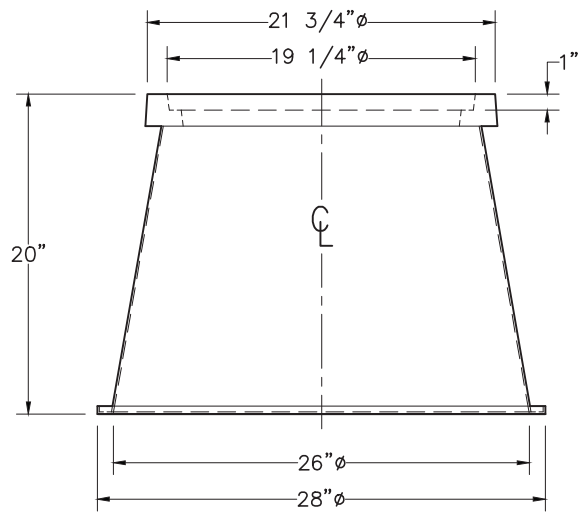
PLAN VIEW



POLYMER CONCRETE COVER



SECTION A-A



ELEVATION

Armorcast Products Company reserves the right to update or discontinue product information at any time without notice.

[www.armorcastprod.com](http://www.armorcastprod.com)

Tel: (818) 982-3600 Fax: (818) 982-7742

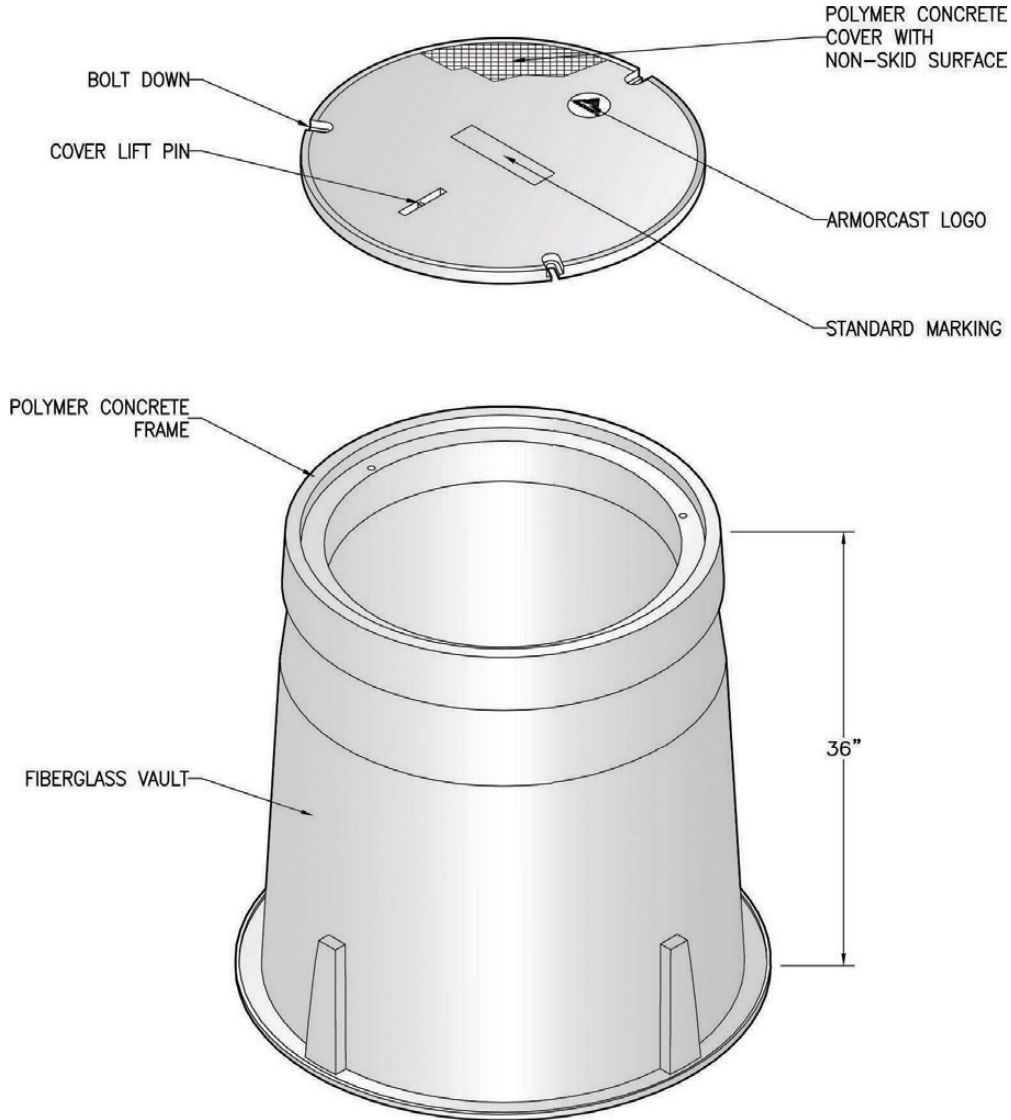
# 29" ROUND FRP VAULT ASSEMBLY



**FIBERGLASS**

**ARMORCAST PRODUCTS COMPANY**

**A6000183**



## 29" DIA. FRP VAULT ASSEMBLY

DESCRIPTION	NOMINAL SIZE DIA. X DEPTH	LOAD RATING	ANSI TIER	PART NUMBER	APPROX. WEIGHT	PALLET QTY.
Round Vault & Cover Assembly	29" x 36"	10K	8	A6000183AX36	147 lbs.	5
	29" x 36"	20K	15	A6000183TAX36	147 lbs.	5

## COMPONENTS

DESCRIPTION	NOMINAL SIZE	LOAD RATING	ANSI TIER	PART NUMBER	APPROX. WEIGHT	PALLET QTY.
Replacement Cover	29"	10K / 20K	8 / 15	A6000181 / A6000181T	57 lbs.	20
Replacement Vault	26" x 36"	10K / 20K	8 / 15	A6000183X36	90 lbs.	5

• For sizes not shown please contact Armorcast Products for more information





ARMORCAST PRODUCTS COMPANY

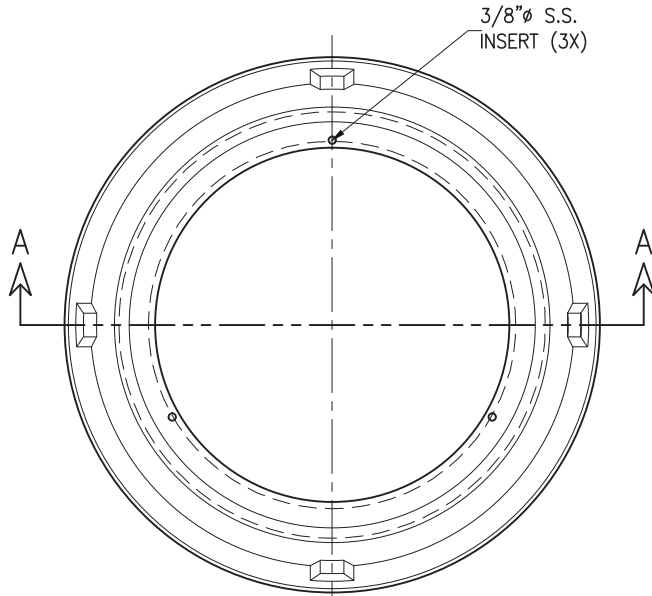
# 29" ROUND FRP VAULT ASSEMBLY

## STANDARD DIMENSIONS

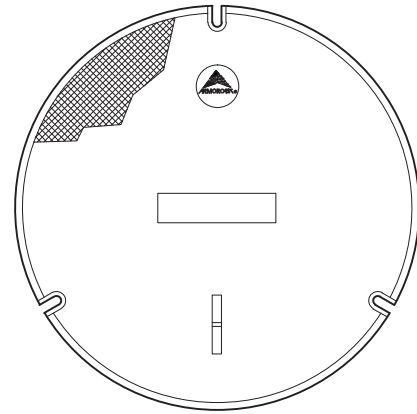
FIBERGLASS

A6000183

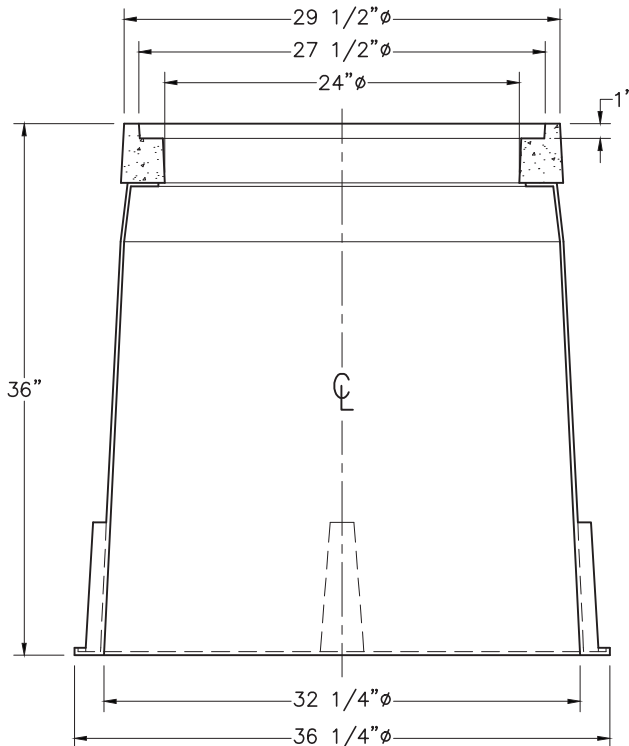
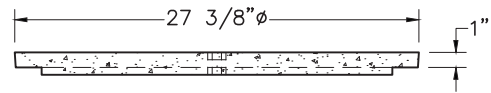
FIBERGLASS  
VAULT & MANHOLE



PLAN VIEW



POLYMER CONCRETE COVER



SECTION A-A

Armorcast Products Company reserves the right to update or discontinue product information at any time without notice.

[www.armorcastprod.com](http://www.armorcastprod.com)

Tel: (818) 982-3600 Fax: (818) 982-7742

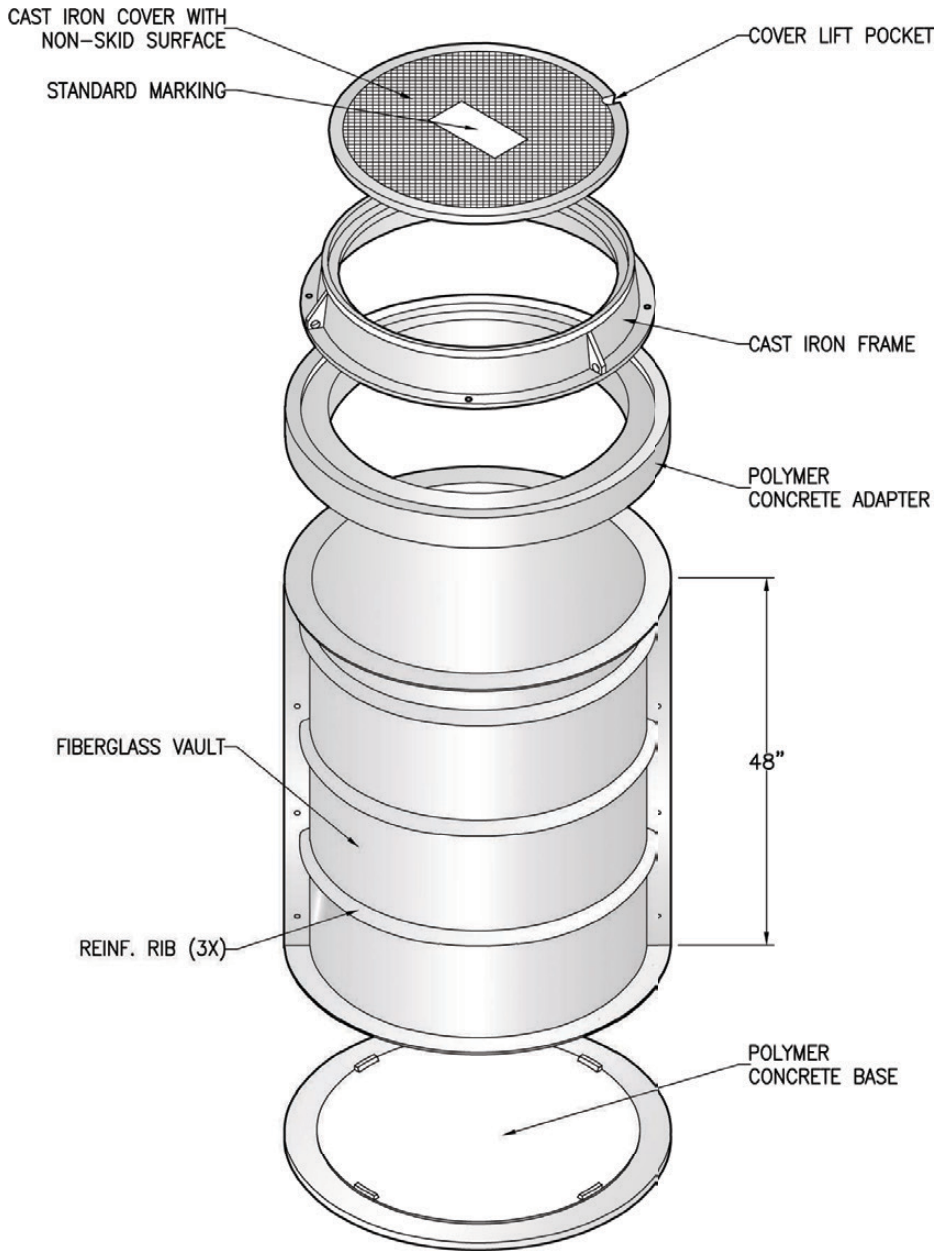
# 30" ROUND FRP MANHOLE ASSEMBLY



**FIBERGLASS**

**ARMORCAST PRODUCTS COMPANY**

**A6001473**



## 30" DIA. FRP MANHOLE ASSEMBLY

DESCRIPTION	NOMINAL SIZE DIA. X DEPTH	LOAD RATING	ANSI TIER	PART NUMBER	APPROX. WEIGHT	PALLET QTY.
Vault & Cover Assembly	30" x 48"	H20	-	A6001473HTAX48B	750 lbs.	1

- Solid Bottom and includes Cast Iron Ring & Cover
- For sizes not shown please contact Armorcast Products for more information



# 30" ROUND FRP MANHOLE ASSEMBLY

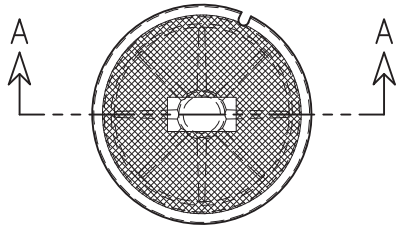
## STANDARD DIMENSIONS

ARMORCAST PRODUCTS COMPANY

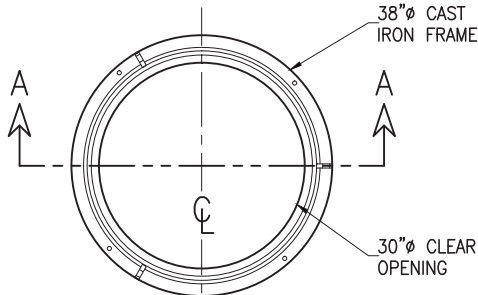
FIBERGLASS

A6001473

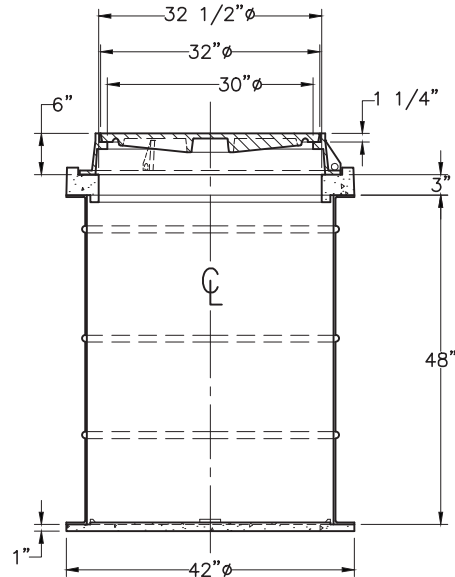
FIBERGLASS  
VAULT & MANHOLE



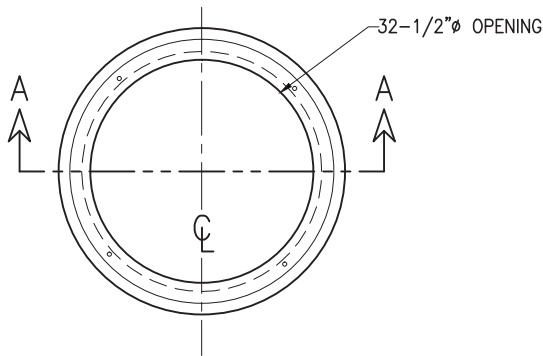
TOP VIEW  
32" C.I. COVER



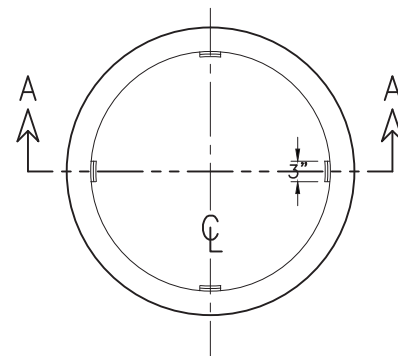
TOP VIEW  
CAST IRON FRAME



SECTION A-A



TOP VIEW  
42"  $\phi$  POLYMER  
CONCRETE ADAPTER



TOP VIEW  
42"  $\phi$  POLYMER  
CONCRETE BASE

Armorcast Products Company reserves the right to update or discontinue product information at any time without notice.

[www.armorcastprod.com](http://www.armorcastprod.com)

Tel: (818) 982-3600 Fax: (818) 982-7742

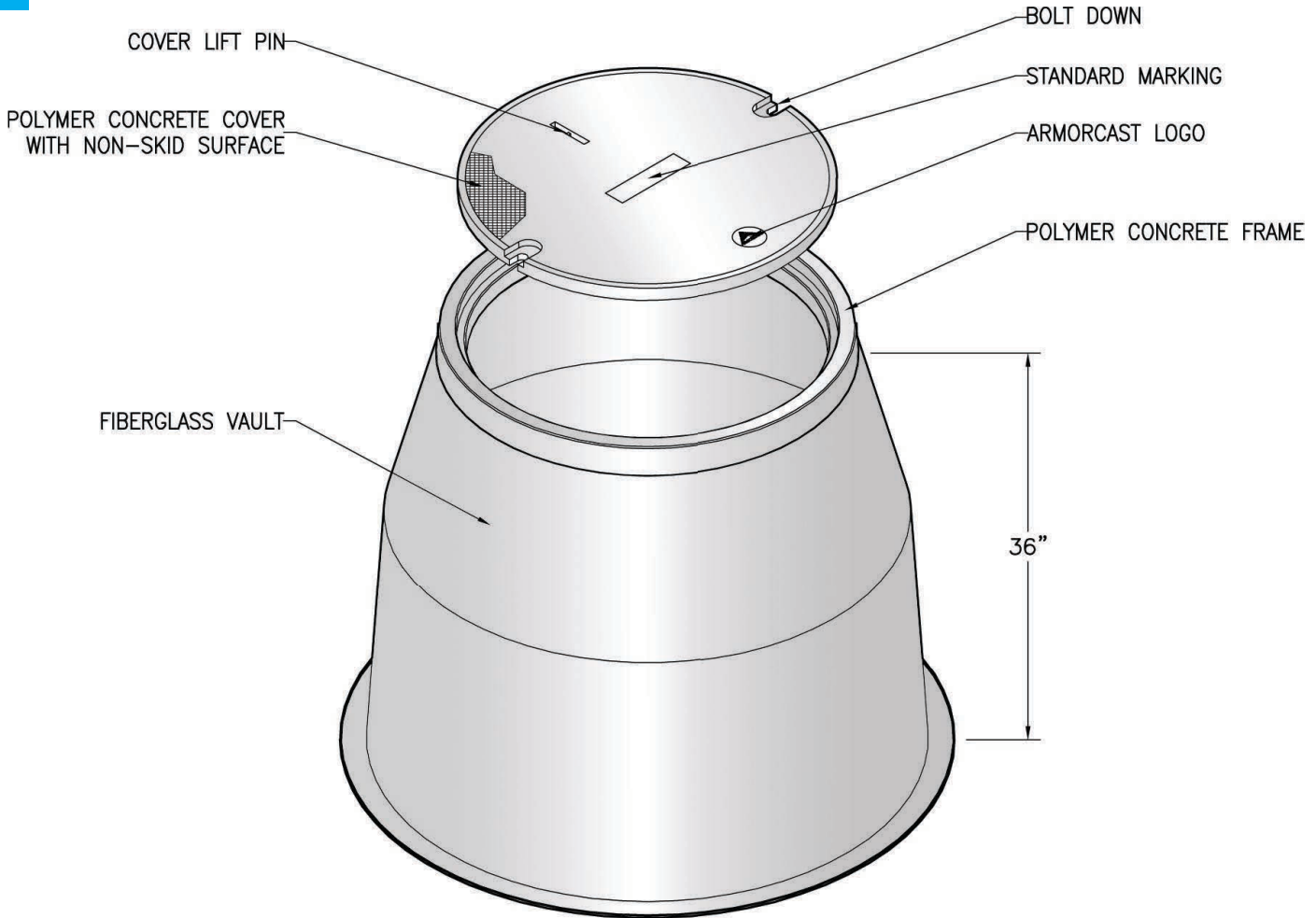
# 30" ROUND FRP VAULT ASSEMBLY



**FIBERGLASS**

**ARMORCAST PRODUCTS COMPANY**

A6000172



## 30" DIA. FRP VAULT ASSEMBLY

DESCRIPTION	NOMINAL SIZE DIA. X DEPTH	LOAD RATING	ANSI TIER	PART NUMBER	APPROX. WEIGHT	PALLET QTY.
Round Vault & Cover Assembly	30" x 36"	10K	8	A6000172AX36	95 lbs.	3
	30" x 36"	20K	15	A6000172TAX36	195 lbs.	3

## COMPONENTS

DESCRIPTION	NOMINAL SIZE	LOAD RATING	ANSI TIER	PART NUMBER	APPROX. WEIGHT	PALLET QTY.
Replacement Cover	30"			A6000172T	65 lbs.	10
Replacement Vault	30" x 36"	10K / 20K	8 / 15	A6000172AX36	78 lbs.	3

• For sizes not shown please contact Armorcast Products for more information



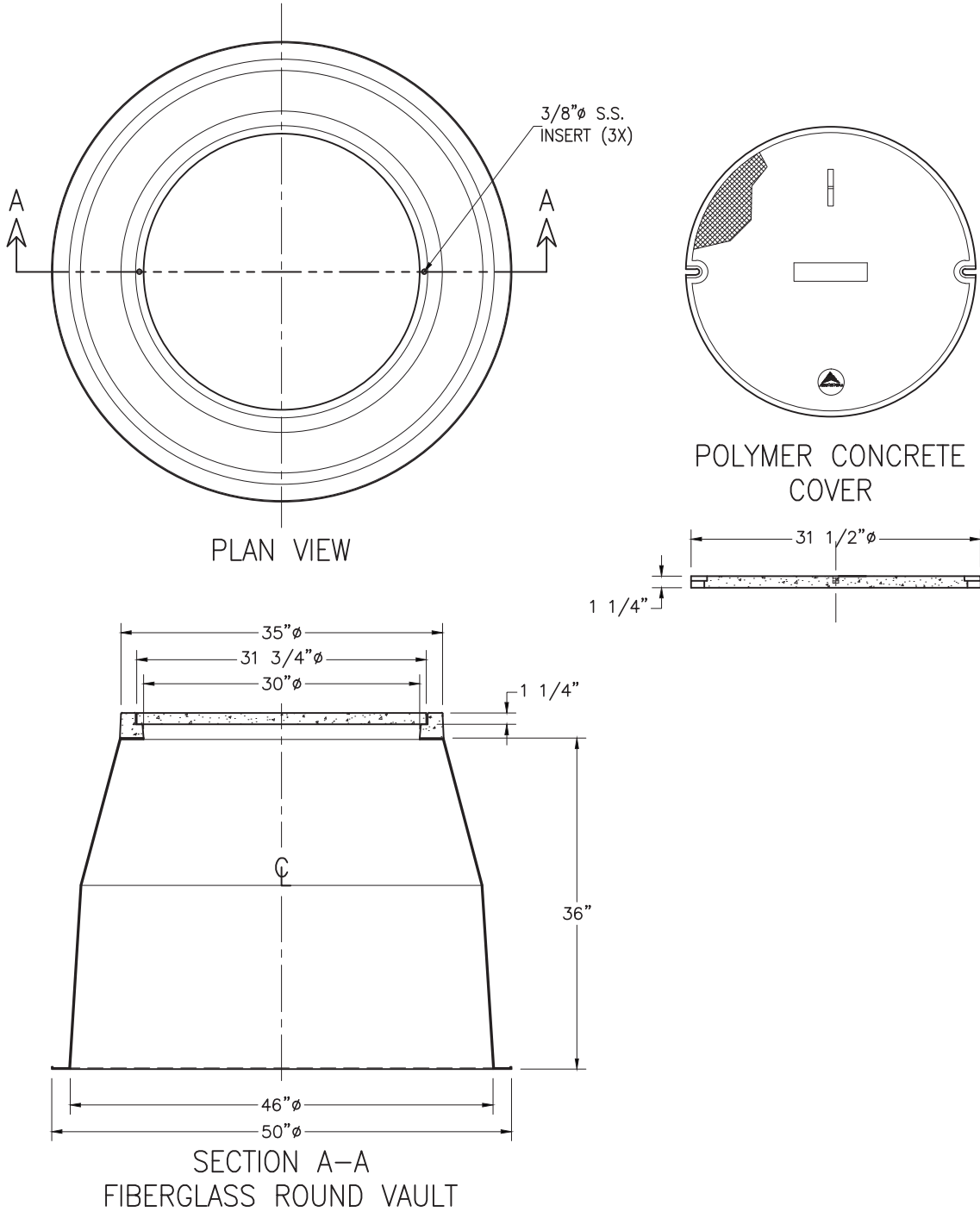
ARMORCAST PRODUCTS COMPANY

# 30" ROUND FRP VAULT ASSEMBLY STANDARD DIMENSIONS

FIBERGLASS

A6000172

FIBERGLASS  
VAULT & MANHOLE



Armorcast Products Company reserves the right to update or discontinue product information at any time without notice.

[www.armorcastprod.com](http://www.armorcastprod.com)

Tel: (818) 982-3600 Fax: (818) 982-7742

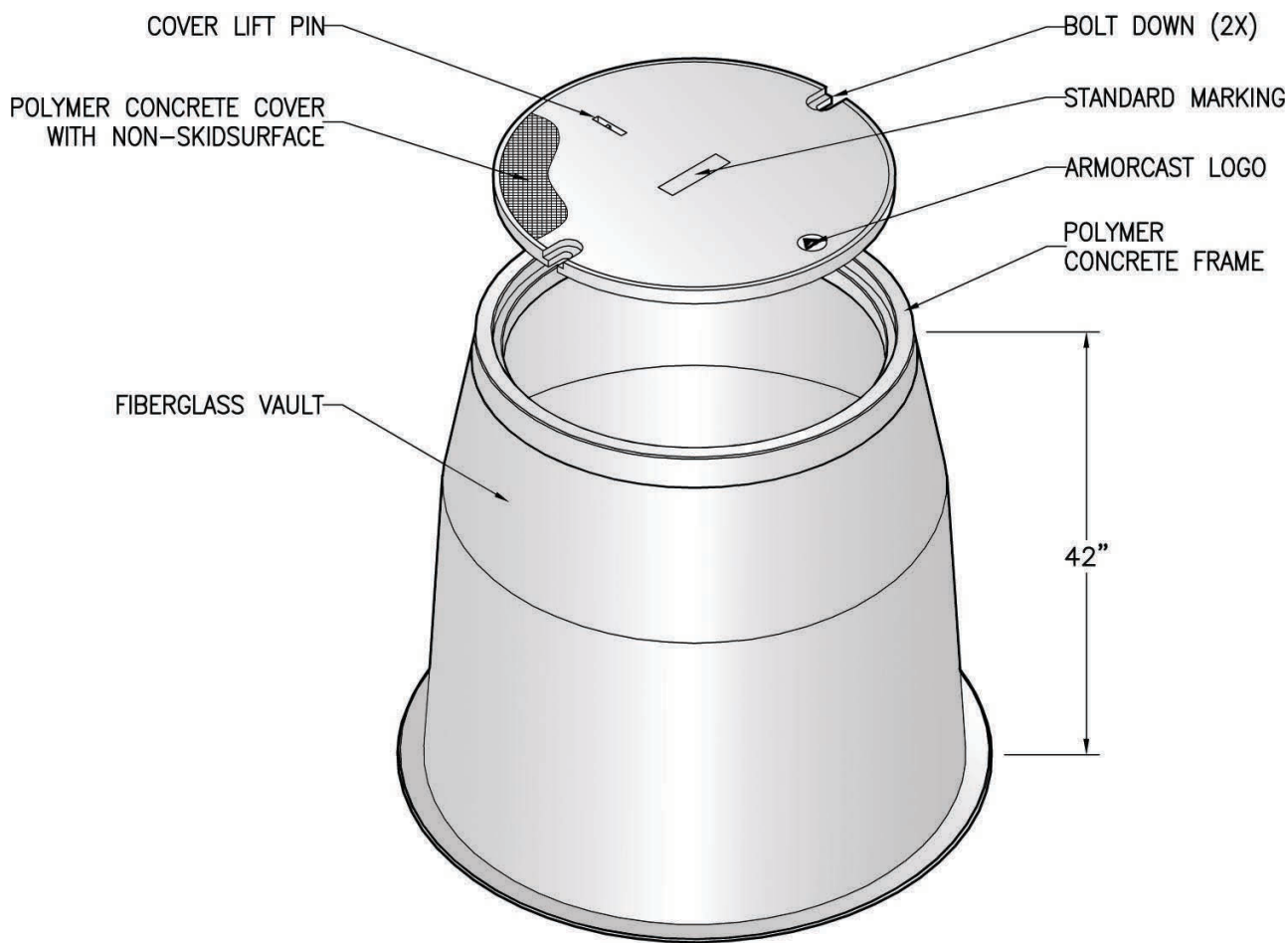
# 39" ROUND FRP VAULT ASSEMBLY



**FIBERGLASS**

**ARMORCAST PRODUCTS COMPANY**

A6001466



## 39" DIA. FRP VAULT ASSEMBLY

DESCRIPTION	NOMINAL SIZE DIA. X DEPTH	LOAD RATING	ANSI TIER	PART NUMBER	APPROX. WEIGHT	PALLET QTY.
Round Vault & Cover Assembly	39" x 42"	10K	8	A6001466A	240 lbs.	4
	39" x 42"	20K	15	A6001466TA	240 lbs.	4

## COMPONENTS

DESCRIPTION	NOMINAL SIZE	LOAD RATING	ANSI TIER	PART NUMBER	APPROX. WEIGHT	PALLET QTY.
Replacement Cover	39"	10K / 20K	8 / 15	A6001941 / A6001941T	90 lbs.	10
Replacement Vault	39" x 42"	10K / 20K	8 / 15	A6001466	95 lbs.	4

• For sizes not shown please contact Armorcast Products for more information



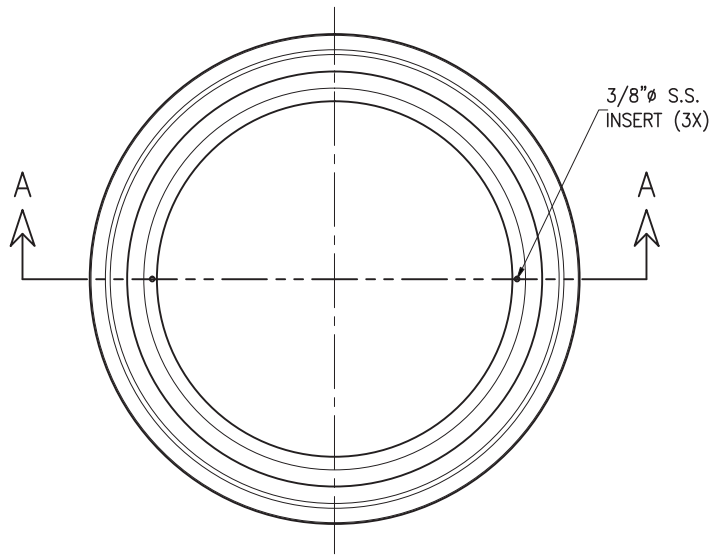
ARMORCAST PRODUCTS COMPANY

# 39" ROUND FRP VAULT ASSEMBLY STANDARD DIMENSIONS

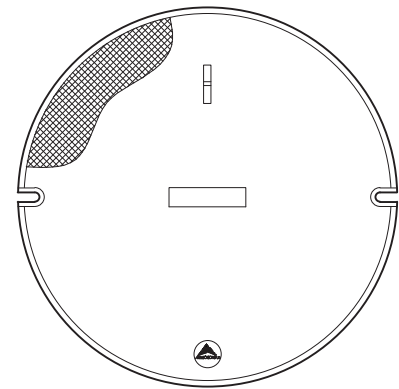
FIBERGLASS

A6001466

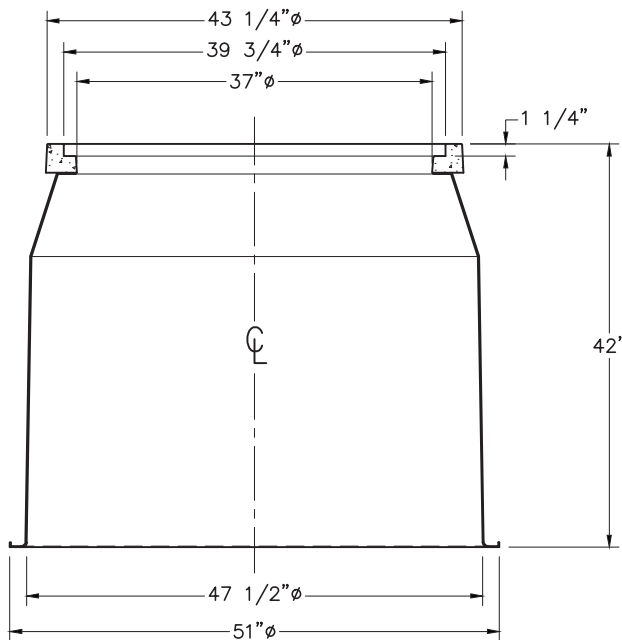
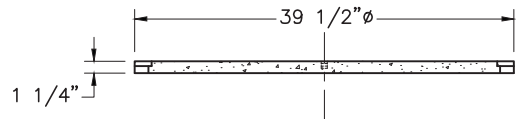
FIBERGLASS  
VAULT & MANHOLE



PLAN VIEW



POLYMER CONCRETE COVER



SECTION A-A  
FIBERGLASS ROUND VAULT

Armorcast Products Company reserves the right to update or discontinue product information at any time without notice.

[www.armorcastprod.com](http://www.armorcastprod.com)

Tel: (818) 982-3600 Fax: (818) 982-7742

# POLYETHYLENE PEDESTAL ASSEMBLIES



ARMORCAST PRODUCTS COMPANY

PEDESTALS







ARMORCAST PRODUCTS COMPANY

# POLYETHYLENE PEDESTAL ASSEMBLIES

## Pedestals

We offer a complete variety of Pedestal products. Technology, engineering, detailed design, durable material formulation are all part of the product quality and endurance of our pedestals.

## UV RESISTANCE

Elite blend of Polyethylene material with UV inhibitors. Material formula has exceptional weatherability and durability characteristics as well as high environmental stress crack resistance.

## PERFORMANCE

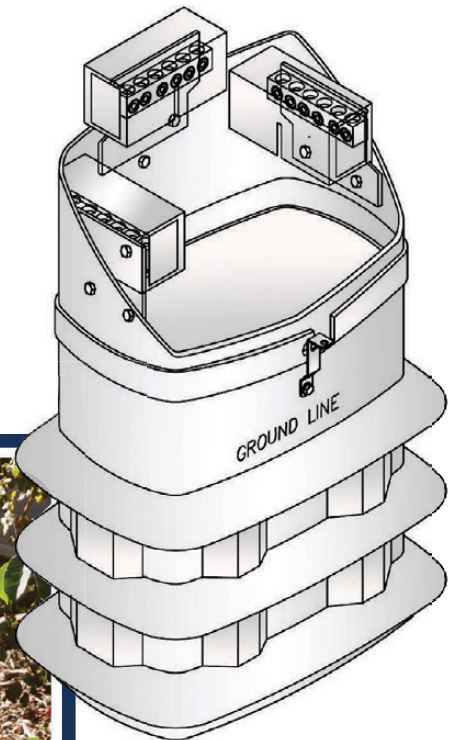
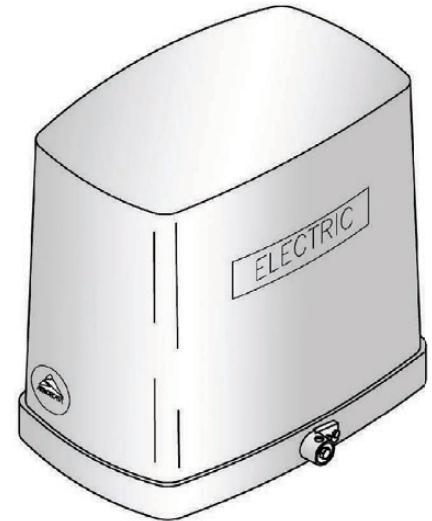
Superior tensile and impact strengths at both ambient and sub-zero temperatures. Unique structural design provides added strengths and stability. Special vandal resistant features.

## PRODUCTION

Ground line and/or logo molded into base. Penta-head lock assembly designed for use with optional customer installed padlock to provide double locking security. Pebble grain finish enhances appearance and richness.

## OPTIONS

- Standard "Electric" logo may be customized.
- Specified connectors are protected with a clear cover and attach cable to a vertical adjustable mounting arm.
- Tamperproof, internal locking, temporary power service windows.
- Molded labeling and colors available.



PEDESTALS



# 9" x 14" PEDESTAL ASSEMBLY

## STRAIGHT LINE

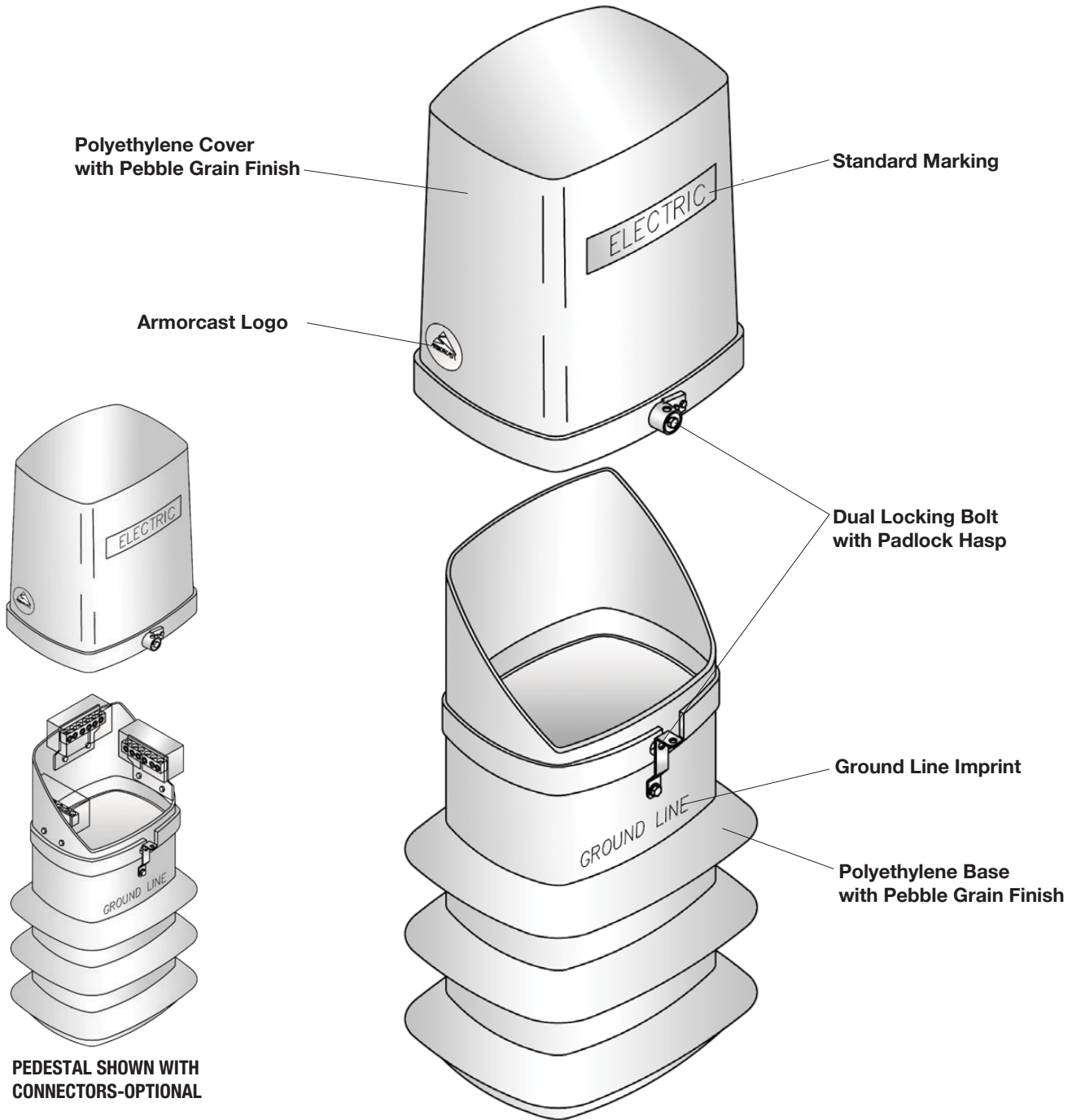
### POLYETHYLENE

P6001681



ARMORCAST PRODUCTS COMPANY

PEDESTALS



PEDESTAL SHOWN WITH CONNECTORS-OPTIONAL

## 9" x 14" STRAIGHT LINE PEDESTAL ASSEMBLY

DESCRIPTION	NOMINAL SIZE W x L x D	DOMES HEIGHT	ABOVE GRADE	PART NUMBER	APPROX. WEIGHT	PALLET QTY.
Straight Line Pedestal	9" x 14" x 34"	20	26	P6001681A	22 lbs.	9



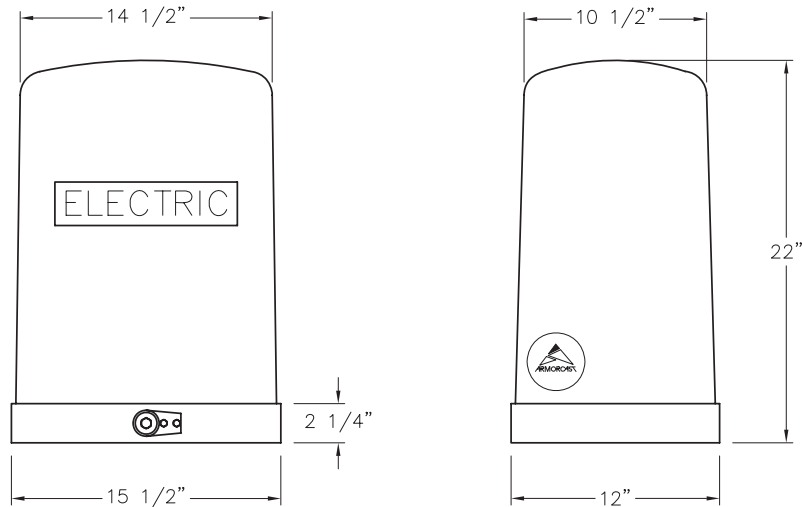
# 9" x 14" PEDESTAL ASSEMBLY

STRAIGHT LINE

ARMORCAST PRODUCTS COMPANY

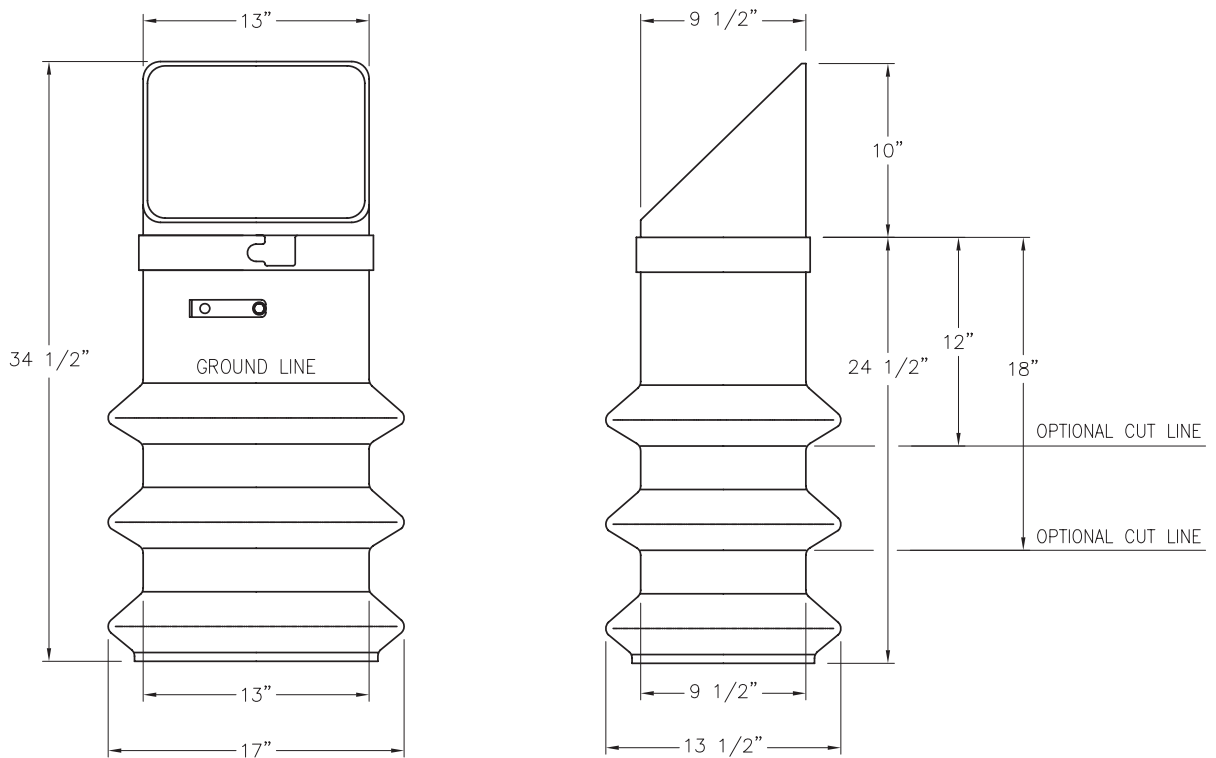
POLYETHYLENE

P6001681



PEDESTALS

## POLYETHYLENE COVER



## POLYETHYLENE BASE

Armorcast Products Company reserves the right to update or discontinue product information at any time without notice.

[www.armorcastprod.com](http://www.armorcastprod.com)

Tel: (818) 982-3600 Fax: (818) 982-7742

# 10" x 11" PEDESTAL ASSEMBLY

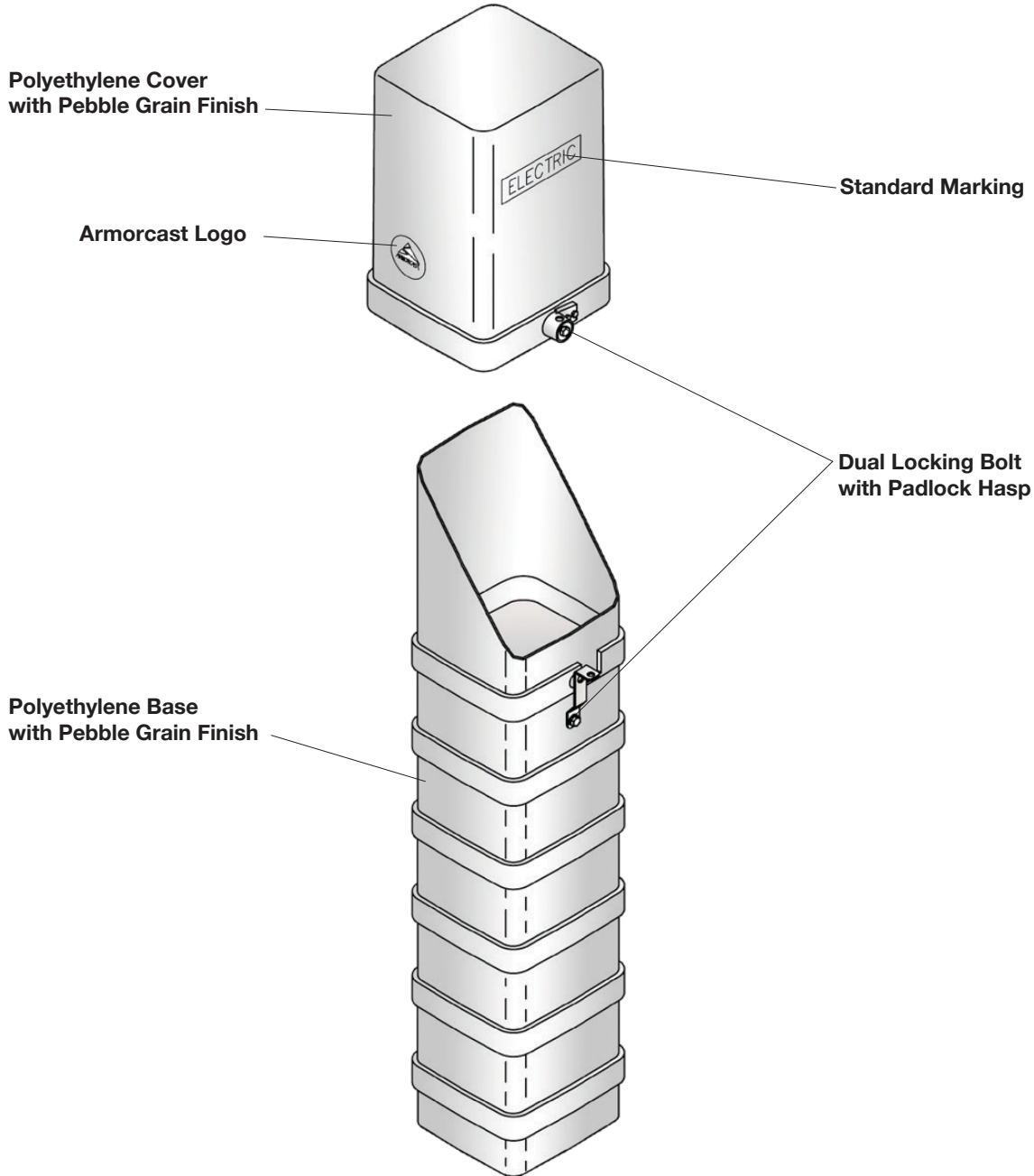
## STRAIGHT LINE



### POLYETHYLENE

ARMORCAST PRODUCTS COMPANY

P6001687



PEDESTALS

### 10" x 11" STRAIGHT LINE PEDESTAL ASSEMBLY

DESCRIPTION	NOMINAL SIZE W x L x D	DOMED HEIGHT	ABOVE GRADE	PART NUMBER	APPROX. WEIGHT	PALLET QTY.
Straight Line Pedestal	10" x 11" x 55"	17	40	P6001687A	15 lbs.	9



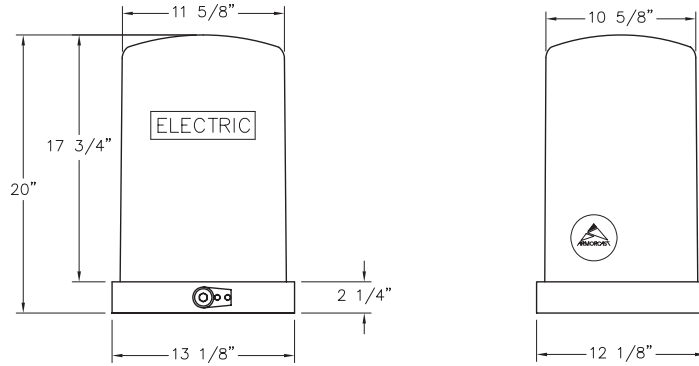
# 10" x 11" PEDESTAL ASSEMBLY

STRAIGHT LINE

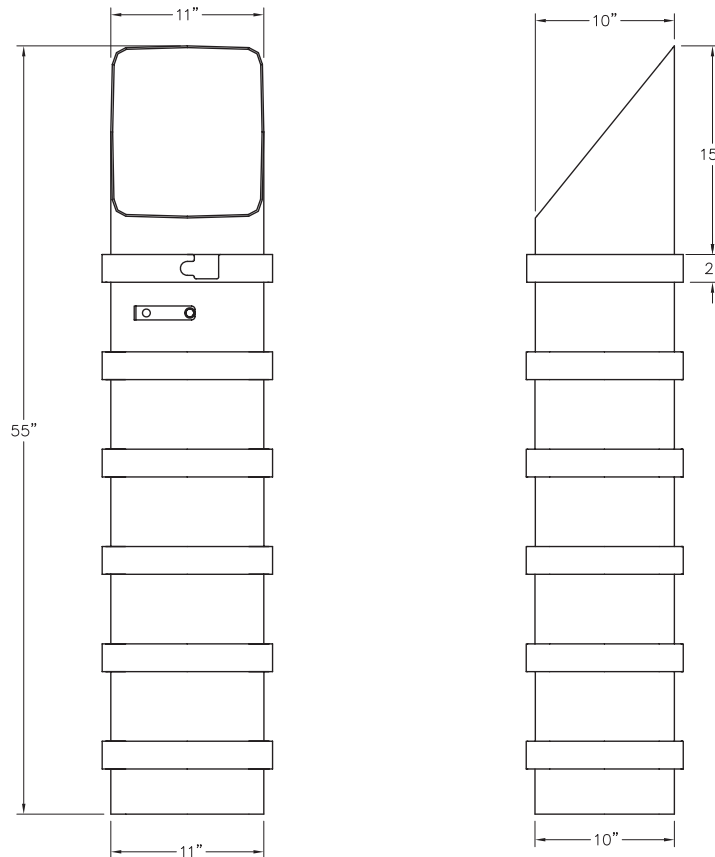
ARMORCAST PRODUCTS COMPANY

POLYETHYLENE

P6001687



## POLYETHYLENE COVER



## POLYETHYLENE BASE

Armorcast Products Company reserves the right to update or discontinue product information at any time without notice.

[www.armorcastprod.com](http://www.armorcastprod.com)

Tel: (818) 982-3600 Fax: (818) 982-7742

PEDESTALS

# 12" x 16" PEDESTAL ASSEMBLY

## STRAIGHT LINE

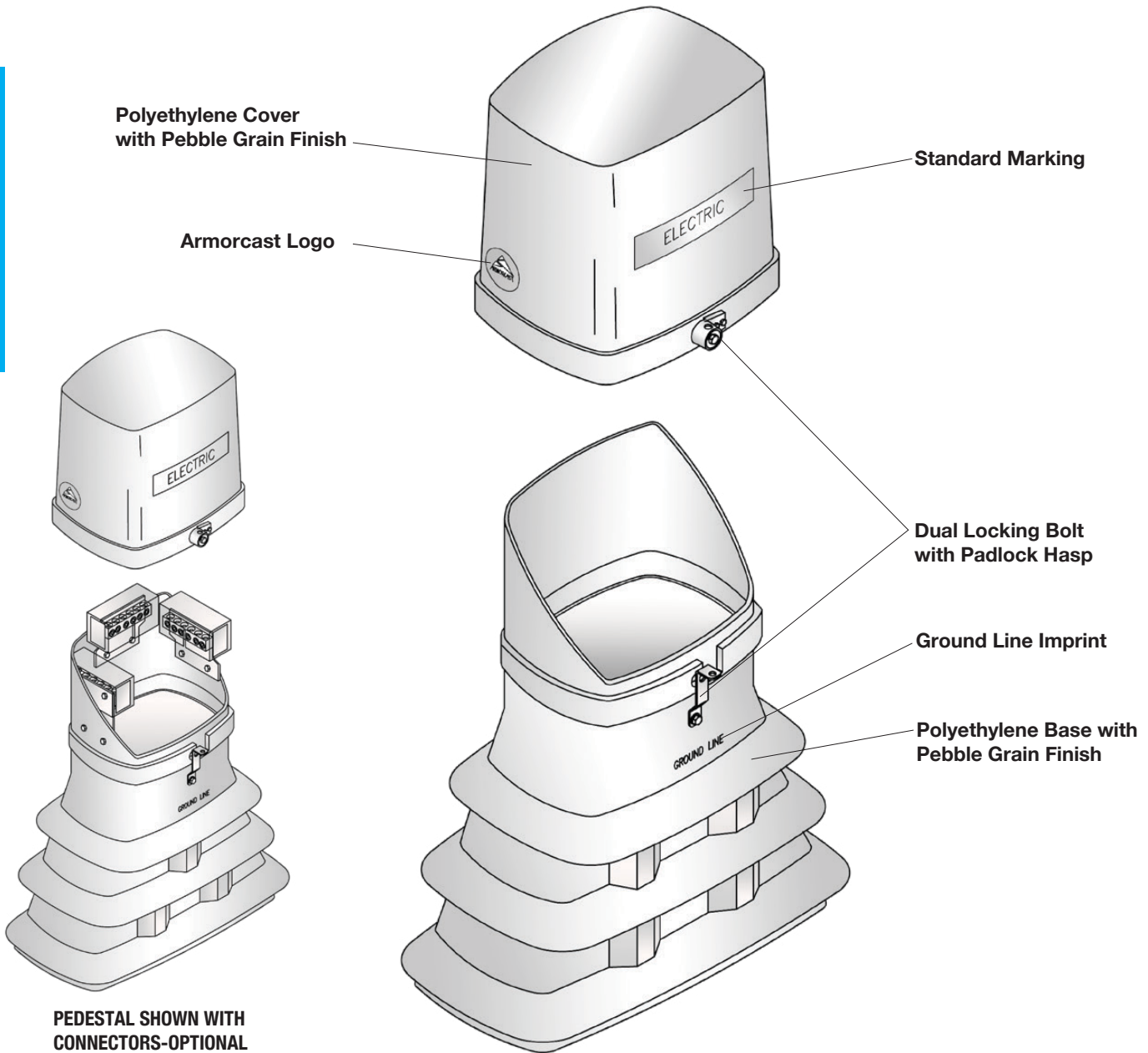


### POLYETHYLENE

ARMORCAST PRODUCTS COMPANY

P6001685

PEDESTALS



PEDESTAL SHOWN WITH CONNECTORS-OPTIONAL

### 12" x 16" WIDE BASE PEDESTAL ASSEMBLY

DESCRIPTION	NOMINAL SIZE W x L x D	DOMES HEIGHT	ABOVE GRADE	PART NUMBER	APPROX. WEIGHT	PALLET QTY.
Wide Base Pedestal	12" x 16" x 34"	17	22	P6001685A	26 lbs.	6



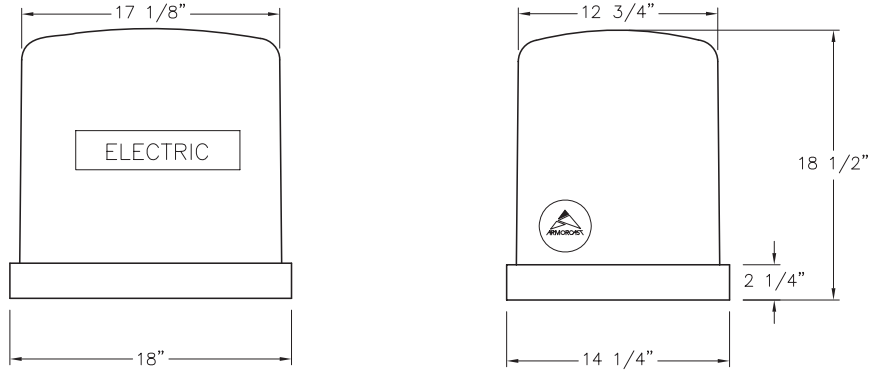
# 12" x 16" PEDESTAL ASSEMBLY

STRAIGHT LINE

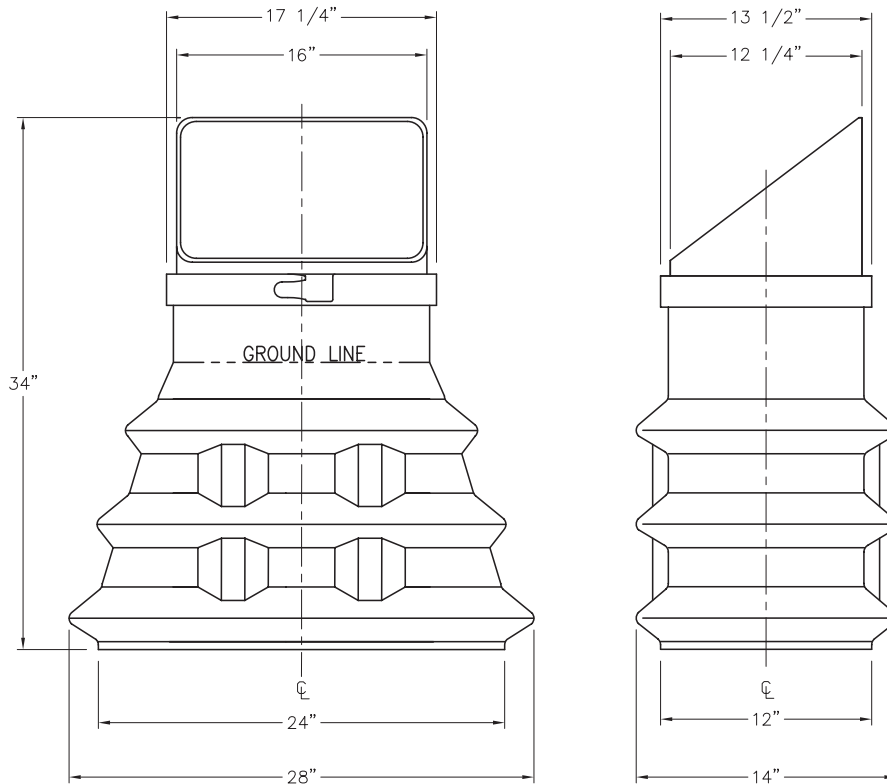
ARMORCAST PRODUCTS COMPANY

POLYETHYLENE

P6001685



## POLYETHYLENE COVER



## POLYETHYLENE BASE

Armorcast Products Company reserves the right to update or discontinue product information at any time without notice.

[www.armorcastprod.com](http://www.armorcastprod.com)

Tel: (818) 982-3600 Fax: (818) 982-7742

PEDESTALS

# 12" x 20" PEDESTAL ASSEMBLY

## STRAIGHT LINE

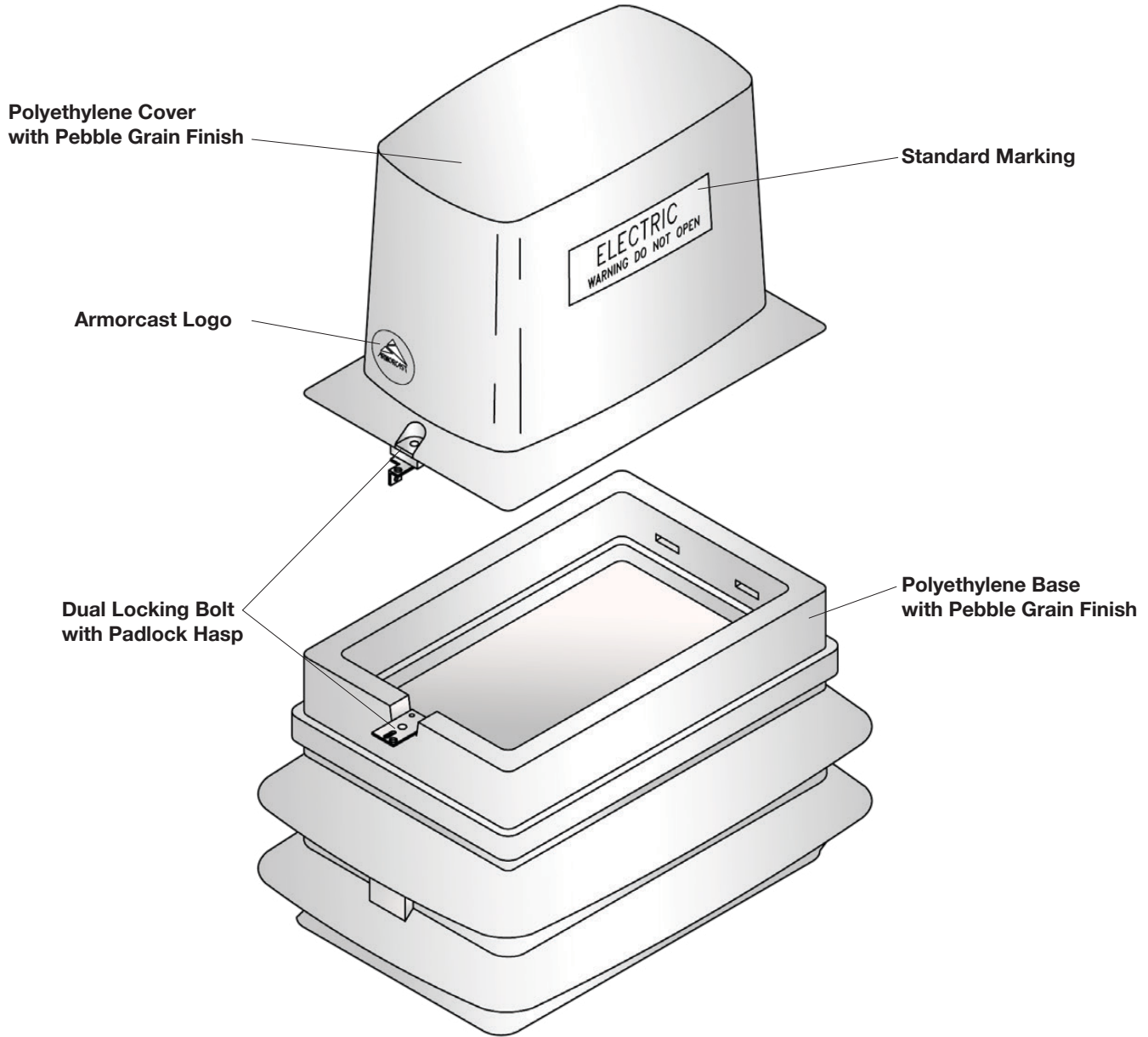


### POLYETHYLENE

ARMORCAST PRODUCTS COMPANY

P6001682

PEDESTALS



### 12" x 20" LOW PROFILE / FLUSH MOUNT PEDESTAL ASSEMBLY

DESCRIPTION	NOMINAL SIZE W x L x D	DOMES HEIGHT	ABOVE GRADE	PART NUMBER	APPROX. WEIGHT	PALLET QTY.
Low Profile Pedestal	12" x 20" x 15"	17	19	P6001682A	23 lbs.	20
Flush Mount Pedestal	12" x 20" x 15"	0	0	P6001682AF	23 lbs.	20





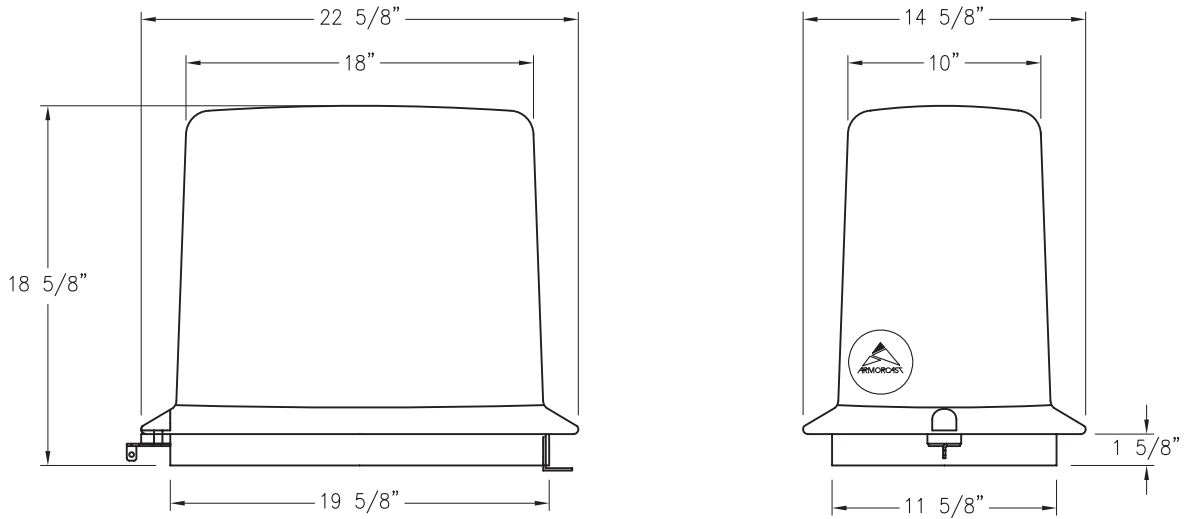
# 12" x 20" PEDESTAL ASSEMBLY

STRAIGHT LINE

ARMORCAST PRODUCTS COMPANY

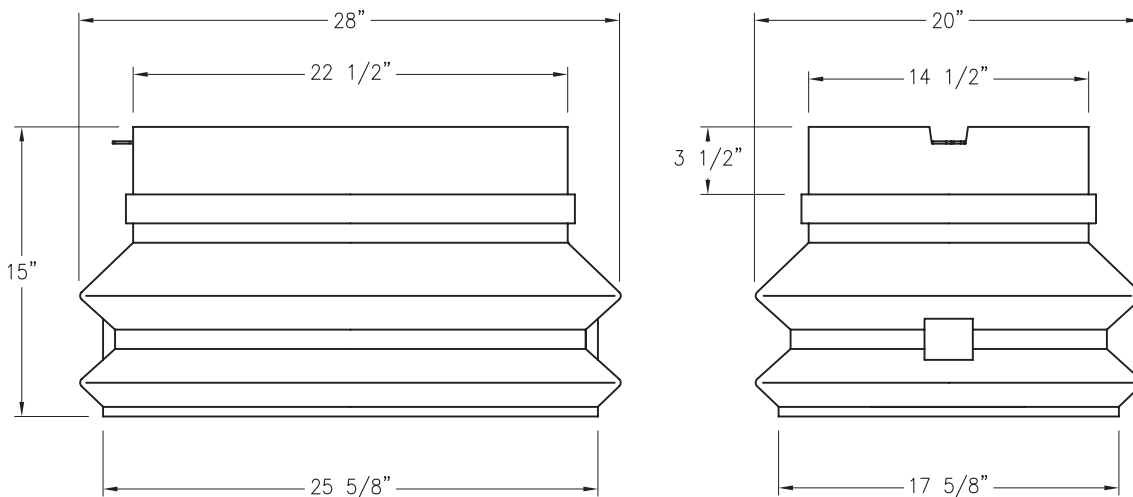
POLYETHYLENE

P6001682



PEDESTALS

## POLYETHYLENE COVER



## POLYETHYLENE BASE

Armorcast Products Company reserves the right to update or discontinue product information at any time without notice.

[www.armorcastprod.com](http://www.armorcastprod.com)

Tel: (818) 982-3600 Fax: (818) 982-7742

# 14" x 22" PEDESTAL ASSEMBLY

## STRAIGHT LINE

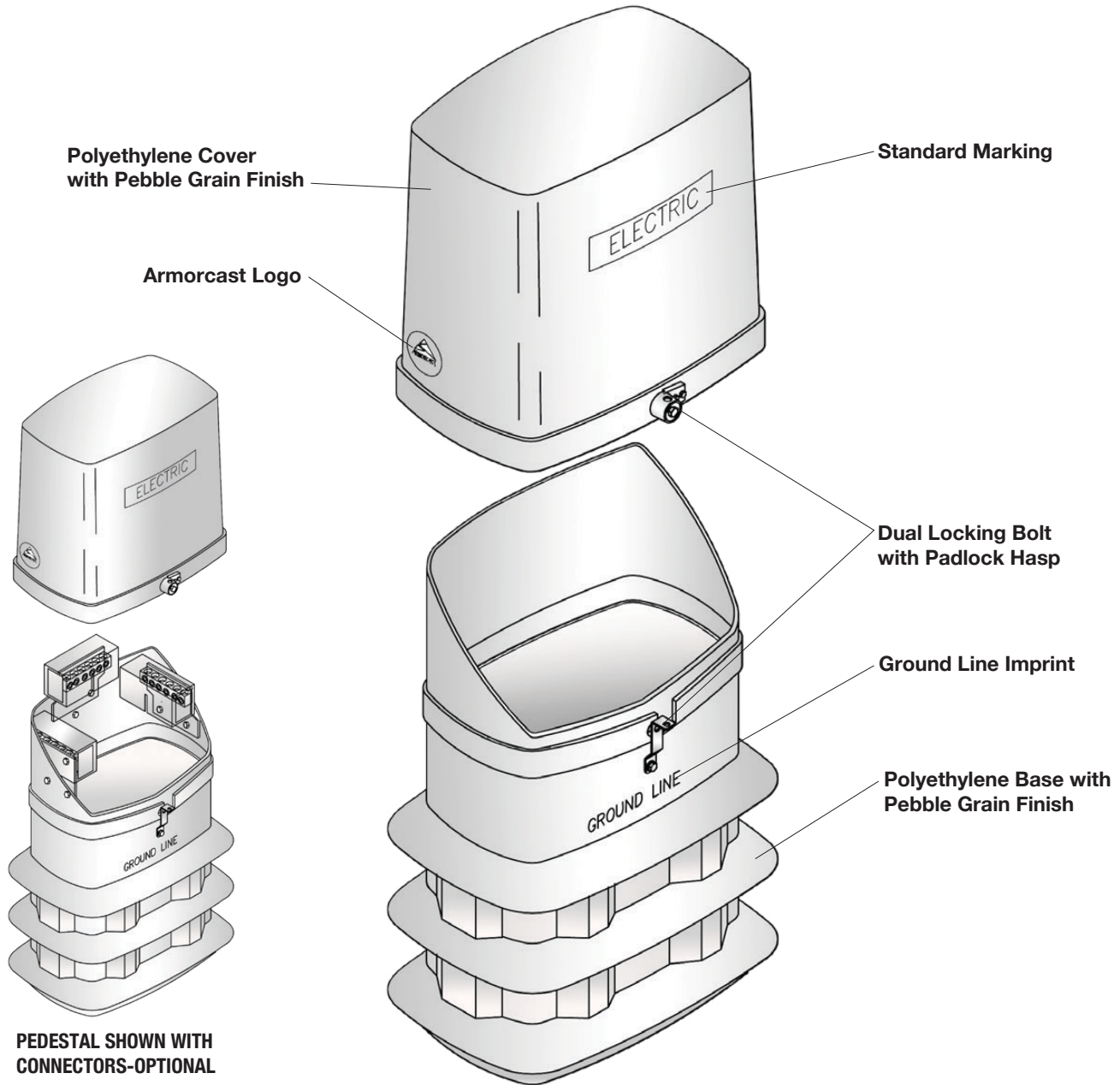


### POLYETHYLENE

ARMORCAST PRODUCTS COMPANY

P6001686

PEDESTALS



## 14" x 22" STRAIGHT LINE PEDESTAL ASSEMBLY

DESCRIPTION	NOMINAL SIZE W x L x D	DOMES HEIGHT	ABOVE GRADE	PART NUMBER	APPROX. WEIGHT	PALLET QTY.
Straight Line Pedestal	14" x 22" x 34"	20	26	P6001686A	46 lbs	6



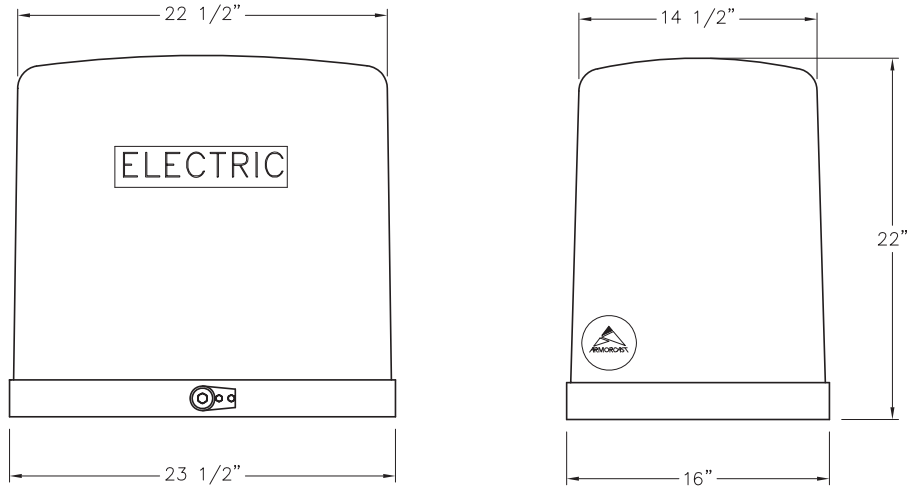
# 14" x 22" PEDESTAL ASSEMBLY

STRAIGHT LINE

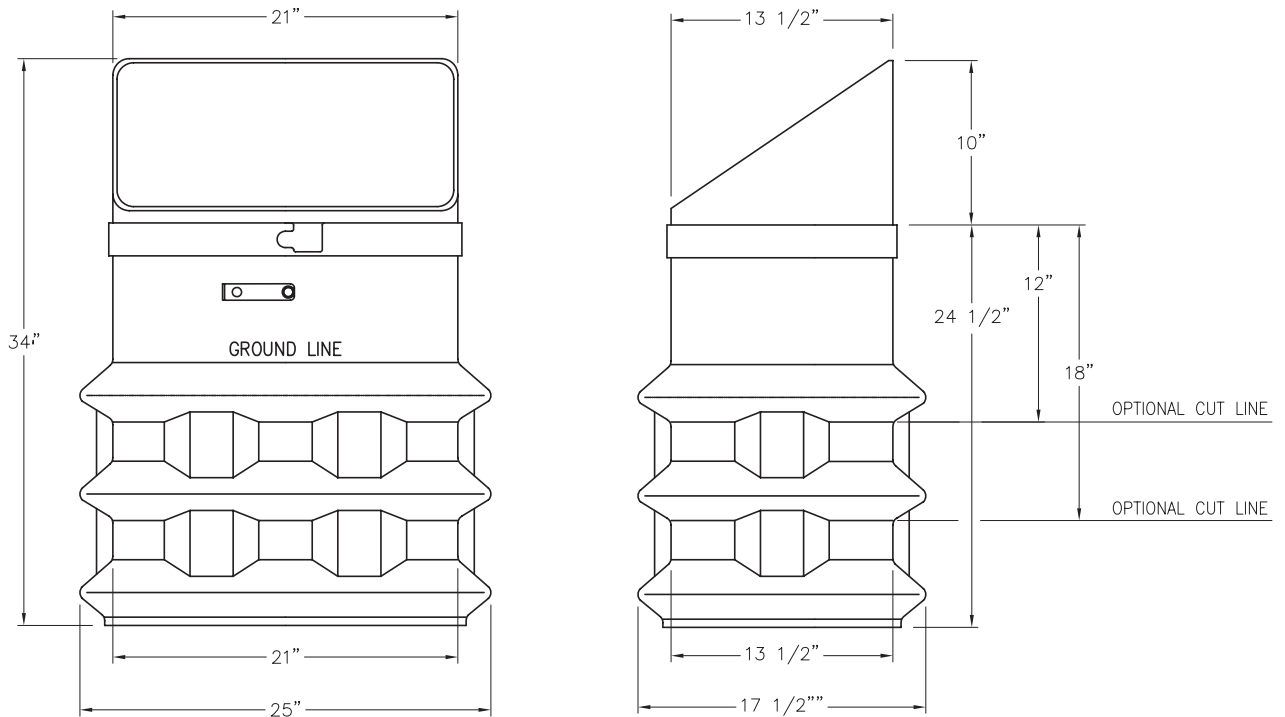
ARMORCAST PRODUCTS COMPANY

POLYETHYLENE

P6001686



## POLYETHYLENE COVER



## POLYETHYLENE BASE

Armorcast Products Company reserves the right to update or discontinue product information at any time without notice.

[www.armorcastprod.com](http://www.armorcastprod.com)

Tel: (818) 982-3600 Fax: (818) 982-7742

PEDESTALS

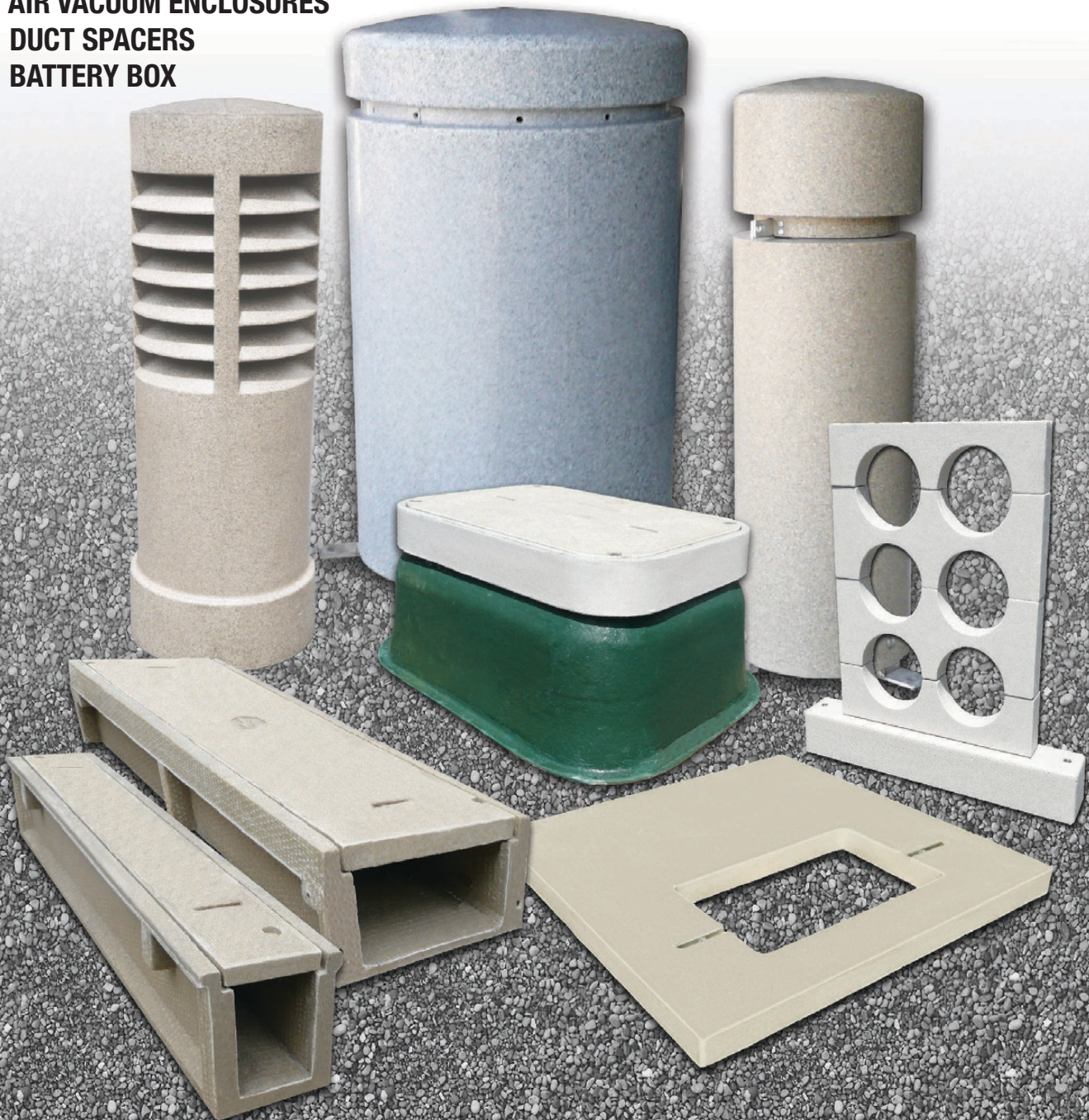
# SPECIALTY PRODUCTS



ARMORCAST PRODUCTS COMPANY

- CABLE TROUGH
- CABINET PAD OPENINGS
- BOX PADS
- EQUIPMENT PADS
- WATER SAMPLING STATIONS
- STAND PIPE VENT
- AIR VACUUM ENCLOSURES
- DUCT SPACERS
- BATTERY BOX

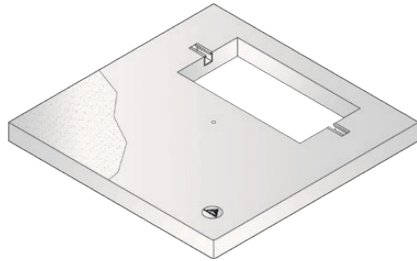
SPECIALTY PRODUCTS



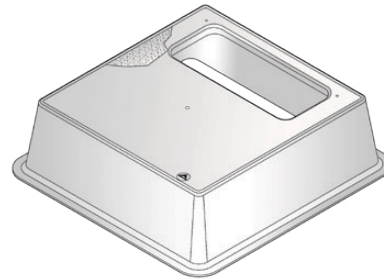


ARMORCAST PRODUCTS COMPANY

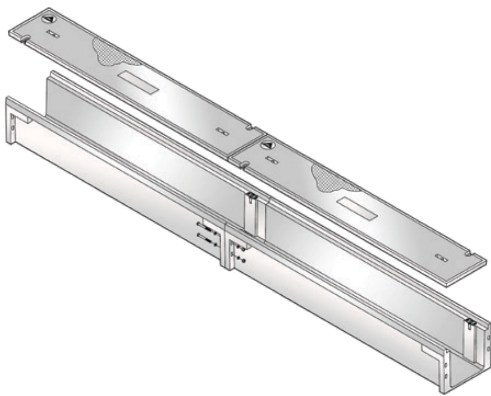
# SPECIALTY PRODUCTS



• EQUIPMENT PADS



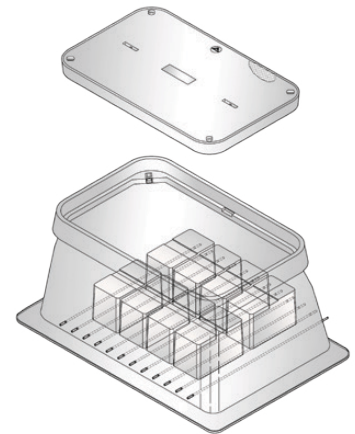
• TRANSFORMER BOX PADS



• CABLE TROUGH

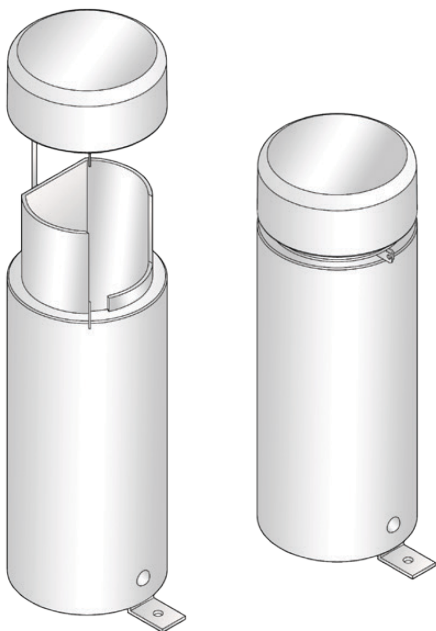


• DUCT SPACERS

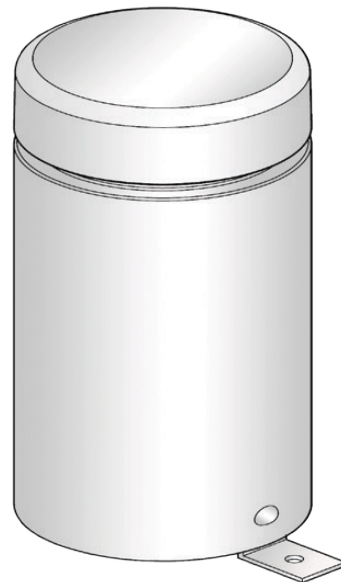


• BATTERY BOXES

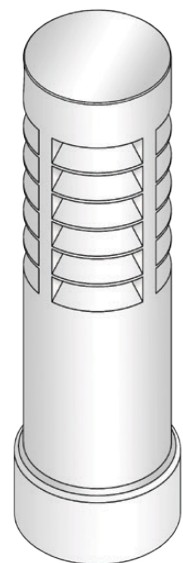
SPECIALTY PRODUCTS



• WATER SAMPLING STATIONS



• AIR VACUUM ENCLOSURES



• STAND PIPE VENTS

# CABLE TROUGH ASSEMBLY

## RAIL & TRANSIT



### POLYMER CONCRETE

### ARMORCAST PRODUCTS COMPANY



- **UV RESISTANCE**

Polymer Concrete requires no other additives as it is naturally UV resistant.

- **PERFORMANCE**

Solid, sturdy long lasting material withstands extreme weather conditions and abuse.

- **PRODUCTION**

Polymer Concrete is cast into precision engineered molds to insure consistent quality and sizing.

SPECIALTY PRODUCTS



## FEATURES

Armorcast Products Cable Trough are manufactured using high strength polymer concrete material. Cable Trough provide Railroad, Mass Transit and Power Plants with durable and cost effective enclosures for cable and fiber optic cables. Install in areas subject to occasional heavy vehicular traffic. The heavy-duty design of the trough and cover assembly can withstand sidewall pressure due to heavy vehicles and train loading and has tremendous strength to weight ratios as well as high impact resistance. Cable Trough can be supplied with optional dividers to segregate electric and telecommunications cables. They are connected with interlocking bolts and can be field cut to modify and adapt to different field conditions. Polymer concrete is not affected by chemicals, quick freezes or thaws and does not conduct electricity, no grounding is necessary. Cable Trough is lightweight and the interlocking system makes installation quick and simple. Does not require heavy-duty equipment.

[www.armorcastprod.com](http://www.armorcastprod.com)

Tel: (818) 982-3600 Fax: (818) 982-7742



# CABLE TROUGH ASSEMBLY

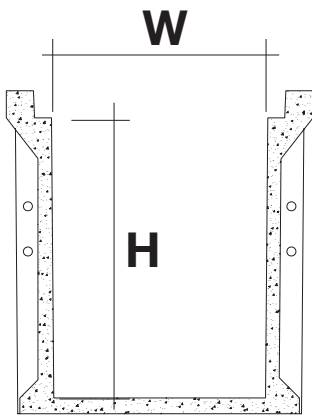
## STANDARD DIMENSIONS

ARMORCAST PRODUCTS COMPANY

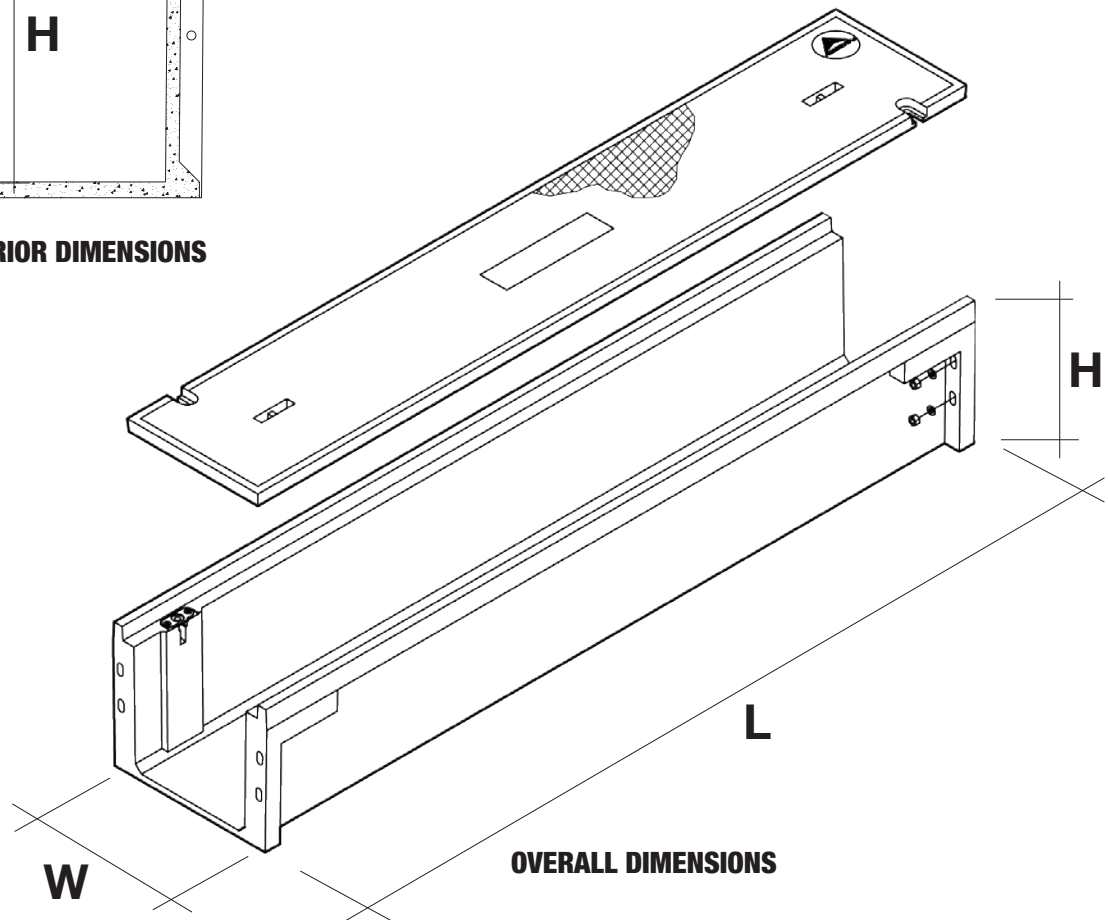
POLYMER CONCRETE

NOMINAL SIZE W x L x H	INTERIOR WIDTH	INTERIOR HEIGHT	OVERALL WIDTH	OVERALL HEIGHT	PART NUMBER	APPROX. WEIGHT
6" x 8" x 60"	6.25"	7.875"	11"	9.625"	A6001301	105lbs.
12" x 8" x 60"	12"	7.5"	17"	9.875"	A6001303	225 lbs.
12" x 16" x 60"	12"	15.5"	17"	17.875"	A6001304	275 lbs.
20" x 12" x 60"	20.25"	12"	25"	14.375"	A6001306	335 lbs.
20" x 16" x 60"	20.25"	16"	25"	18.375"	A6001307	355 lbs.
30" x 12" x 60"	30"	12"	35"	14.375"	A6001309	325 lbs.

**TROUGHS ASSEMBLIES INCLUDE:** Interlocking Attachment Bolts, Protection Rods,



**INTERIOR DIMENSIONS**



**OVERALL DIMENSIONS**

SPECIALTY PRODUCTS

Armorcast Products Company reserves the right to update or discontinue product information at any time without notice.

[www.armorcastprod.com](http://www.armorcastprod.com) Tel: (818) 982-3600 Fax: (818) 982-7742

# CABINET PAD OPENINGS



ARMORCAST PRODUCTS COMPANY

Cabinet Pad Openings will accommodate most cabinet makes and models. Throat insert locations and sizes can be tailored to meet customer's requirements. Contact Armorcast Products for more information.



SPECIALTY PRODUCTS





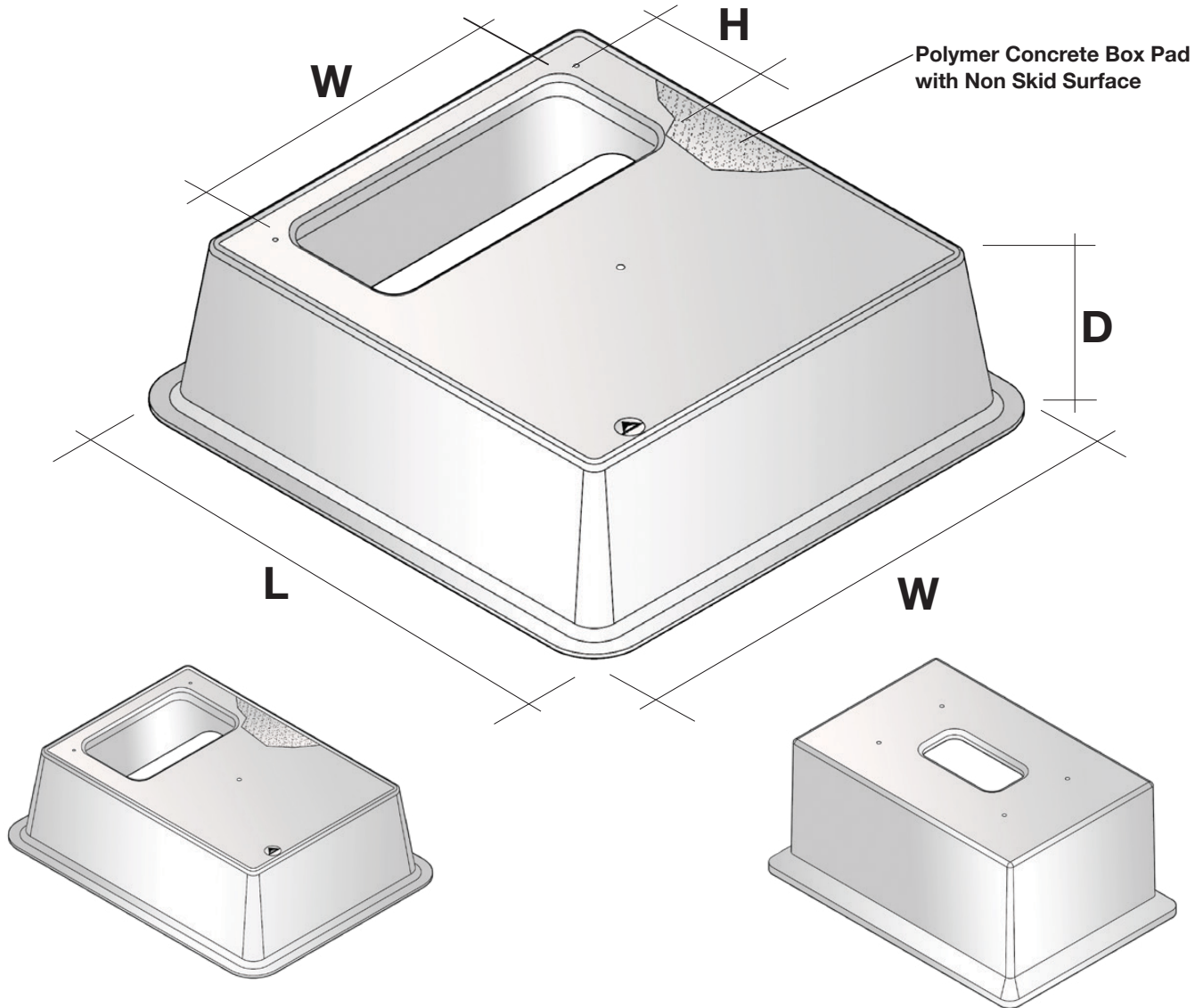


ARMORCAST PRODUCTS COMPANY

# BOX PADS

## TRANSFORMER / TELEPHONE

POLYMER CONCRETE / FRP



SPECIALTY PRODUCTS

NOMINAL SIZE W x L x D	WINDOW H x W	PART NUMBER
28" x 47" x 24"	20" x 38"	A6001848X24
36" x 52" x 18"	15" x 25"	A6001678PC-1
40" x 44" x 24"	19" x 35"	A6001845X24
43" x 38" x 15"	26" x 24"	A6001843X15
50" x 52" x 18"	15" x 28"	A6001669PC-1
50" x 52" x 18"	15" x 37"	A6001669PC-2

**BOX PADS INCLUDE: Unistruts & Spring Nuts**

Armorcast Products Company reserves the right to update or discontinue product information at any time without notice.

[www.armorcastprod.com](http://www.armorcastprod.com) Tel: (818) 982-3600 Fax: (818) 982-7742

# EQUIPMENT PADS

## EQUIPMENT / TRANSFORMER / TELEPHONE

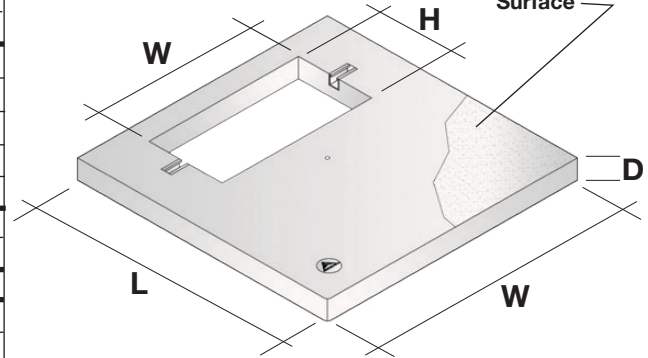


### POLYMER CONCRETE

ARMORCAST PRODUCTS COMPANY

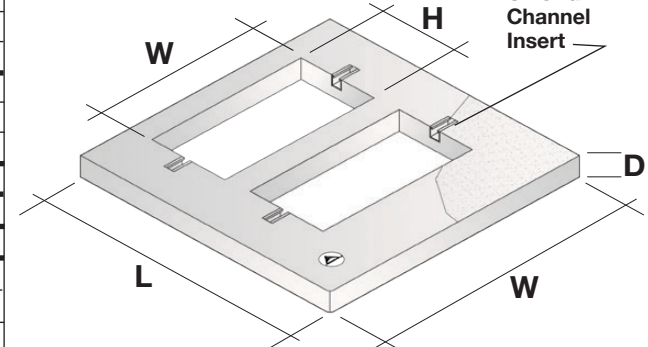
NOMINAL SIZE W x L x D	TYPE	WINDOW H x W	PART NUMBER
22" x 42" x 3"	I	7.5" x 21"	A6001601
22" x 42" x 3"	I	7.5" x 21"	A6001601S
24" x 54" x 3"	I	8" x 29"	A6001527
24" x 54" x 3"	I	8" x 29"	A6001527S
42" x 38" x 3.25"	I	22" x 24"	A6001511
42" x 42" x 3.25"	I	12" x 24.5"	A6001879
42" x 42" x 3.25"	I	12" x 24.5"	A6001879G
42" x 42" x 3.25"	I	12" x 27"	A6001879-1227
42" x 42" x 3.25"	I	14" x 24"	A6001879-1424
43" x 43" x 4"	I	11" x 31"	A6001870
43" x 43" x 6"	I	32" x 26"	A6000383
45" x 41" x 3.25"	I	16" x 28"	A6001874
48" x 42" x 3.5"	I	12" x 26"	A6001631
48" x 46" x 3.25"	I	18.5" x 26.5"	A6001998
48" x 46" x 3.25"	I	18.5" x 26.5"	A600198G
48" x 48" x 3.25"	I	14.25" x 30.5"	A6001873
48" x 48" x 4"	I	12" x 24"	A6001658
48" x 54" x 4"	I	9" x 28"	A6001563
48" x 54" x 4"	I	9" x 28"	A6001563S
48" x 60" x 3.5"	I	10" x 38"	A6001920
48" x 90" x 4"	III	12" x 26"	A6001985
50" x 50" x 4"	I	12" x 26"	A6001839G
50" x 50" x 4"	I	32" x 26"	A6001839
51" x 44" x 3.5"	I	16" x 24"	A6001875
52" x 50" x 4"	I	13" x 28"	A6001838
54" x 48" x 4"	I	18" x 26"	A6001986
56" x 44" x 4"	I	13" x 26"	A6001651
60" x 42" x 3"	I	9" x 25.5"	A6001529
60" x 65" x 3"	I	10" x 30"	A6001532
60" x 72" x 4"	I	18" x 42"	A6001966
64" x 64" x 4"	II	6" x 50" 2X	A6001464
65" x 96" x 4"	I	17" x 65"	A6001561
66" x 58" x 3.5"	II	10.5" x 37" 2X	A6001914
66" x 72" x 4"	II	18" x 38"	A6001496
72" x 48" x 4"	I	12" x 30"	A6001500
72" x 94" x 4"	I	18" x 50"	A6001497
74" x 74" x 4"	II	13" x 58.25"	A6001469
74" x 76" x 4"	II	8" x 62"	A6001964
80" x 40" x 3.5"	I	34.5" x 28.5"	A6001882
80" x 96" x 4"	III	21" x 65" 2X	A6001562
84" x 60" x 4"	I	18" x 85"	A6001663
84" x 96" x 4"	I	26" x 72"	A6001559
84" x 96" x 4"	I	26" x 60"	A6001560
84" x 96" x 4"	I	20" x 60"	A6001649
88" x 80" x 4"	I	10" x 13"	A6001668
88" x 84" x 4"	I	5" x 21"	A6001664
108" x 72" x 4"	II	54" x 14" 2X	A6001541

Polymer  
Concrete  
Box Pad  
with Non Skid  
Surface

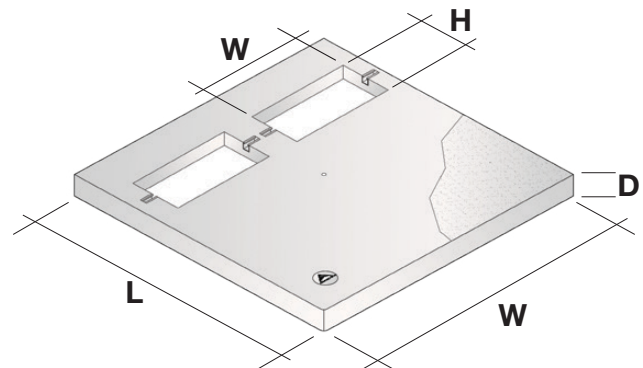


**TYPE I** Single Window

Unistrut  
Channel  
Insert



**TYPE II** Dual Window-Top & Bottom



**TYPE III** Dual Window-Side By Side

**PADS INCLUDE:** Unistruts & Spring Nuts

SPECIALTY PRODUCTS



# 12" x 36" WATER SAMPLING STATION

## ROUND ENCLOSURE

ARMORCAST PRODUCTS COMPANY

POLYETHYLENE

P6002010

### FEATURES

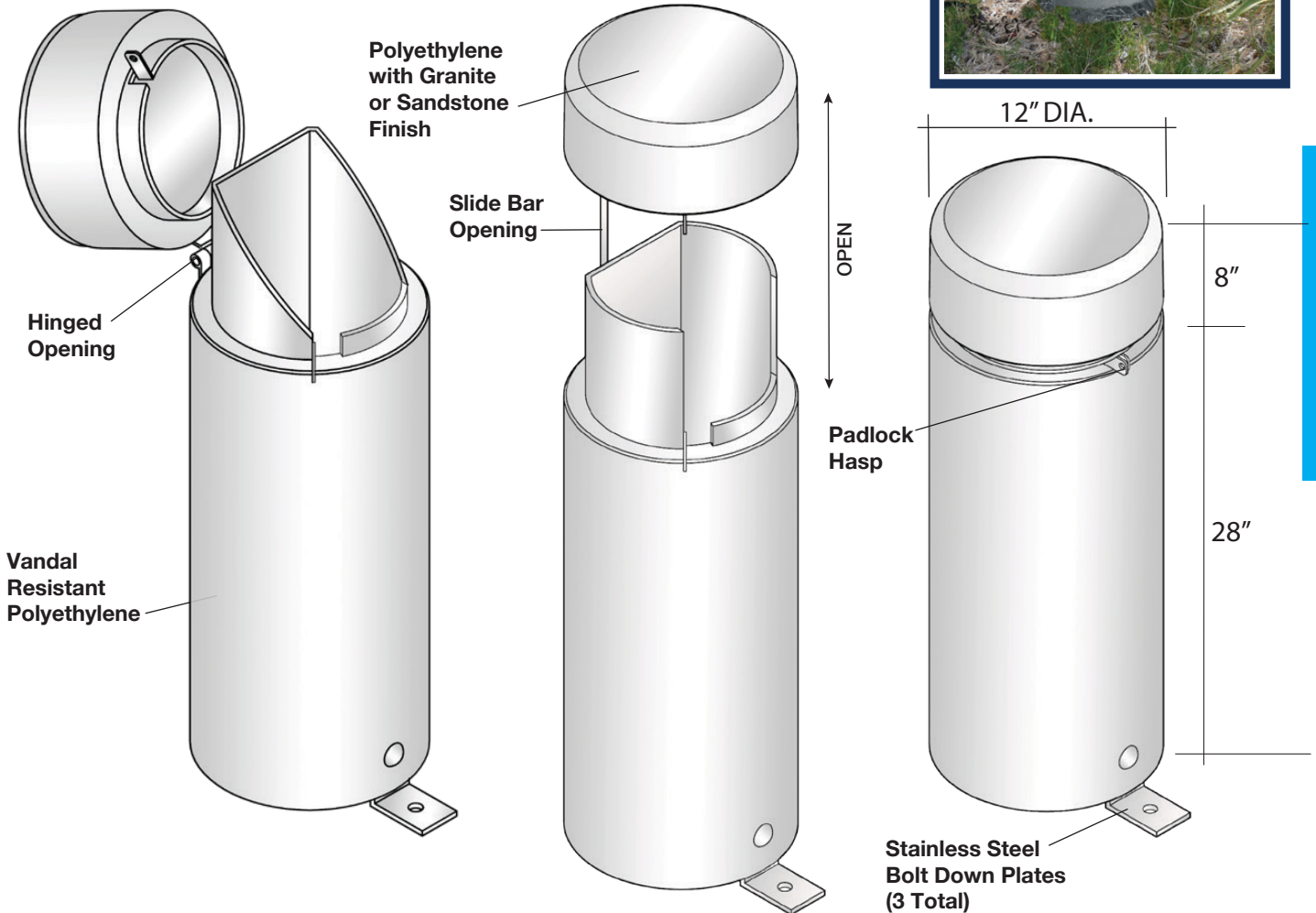
Sampling Stations are manufactured from low density polyethylene material with UV inhibitors for commercial or residential settings. Easy access, safe sampling and non-corrosive. They are maintenance free, graffiti resistant, sturdy, lightweight, high impact resistant with outstanding weatherability. Aesthetically pleasing finishes include Sandstone and Granite, additional colors are available.

**OPTIONAL ITEMS INCLUDE:** Sampling Bibb, Directional Flow Flush Valve.



#### HINGED COVER

#### SLIDE BAR COVER



### 12" x 36" WATER SAMPLING STATION

DESCRIPTION	NOMINAL SIZE W x H	PART NUMBER	APPROX. WEIGHT	PALLET QTY.
Round Enclosure with Hinged Cover	12" DIA. x 36"	P6002010-Hinged	15 lbs.	9
Round Enclosure with Slide Bar Cover	12" DIA. x 36"	P6002010-Slide Bar	15 lbs.	9

Contact an Armorcast representative for more information.

Aarmorcast Products Company reserves the right to update or discontinue product information at any time without notice.

[www.armorcastprod.com](http://www.armorcastprod.com)

Tel: (818) 982-3600 Fax: (818) 982-7742

# STAND PIPE VENT

## ROUND VENT SLOTS



### POLYETHYLENE

ARMORCAST PRODUCTS COMPANY

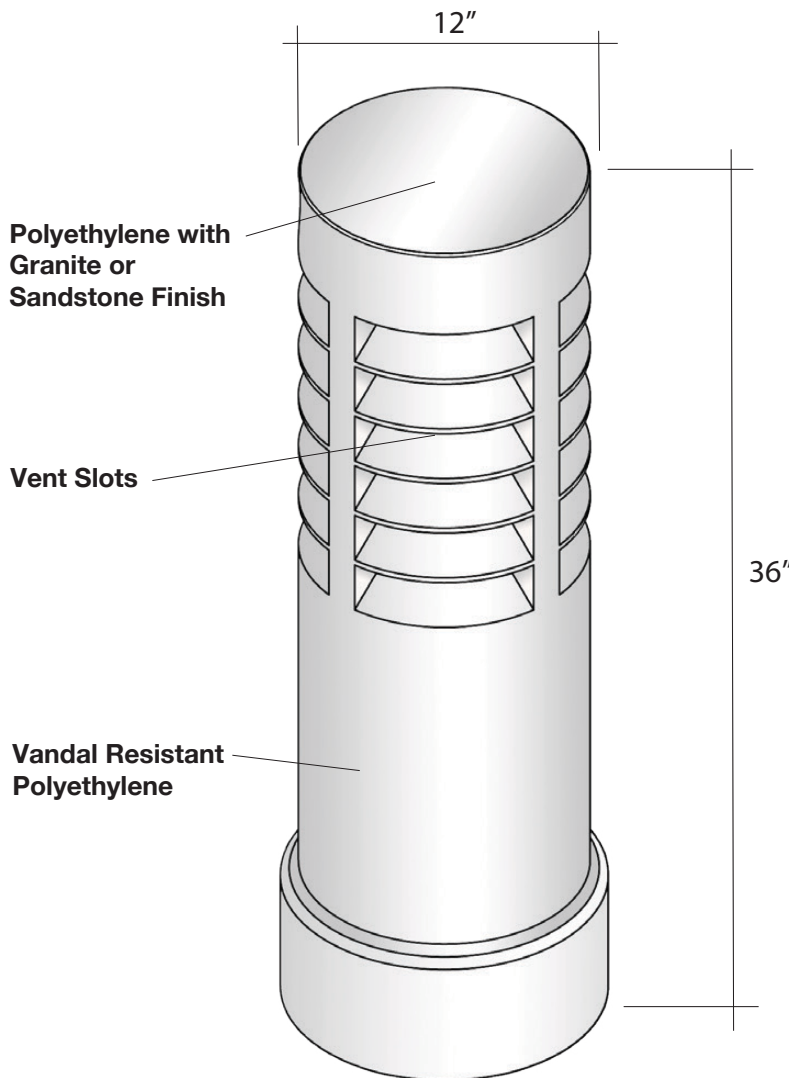
P6002712

### FEATURES

Armorcast Products Stand Pipe Vents are manufactured from low density polyethylene material with UV inhibitors for commercial or residential settings. They are maintenance free, graffiti resistant, sturdy, lightweight, high impact resistance and has outstanding weatherability. Aesthetically pleasing finishes include Sandstone, Granite, Light and Dark Green, additional colors are available.



SPECIALTY PRODUCTS



### 36" STAND PIPE VENT

DESCRIPTION	NOMINAL SIZE W x H	PART NUMBER	APPROX. WEIGHT	PALLET QTY.
Round Vent Enclosure	12" DIA. x 36" with 24- Vent Slots	P6002712	15 lbs.	9

Armorcast Products Company reserves the right to update or discontinue product information at any time without notice.

[www.armorcastprod.com](http://www.armorcastprod.com)

Tel: (818) 982-3600 Fax: (818) 982-7742



# AIR VACUUM VALVE ENCLOSURES

## ROUND ENCLOSURES

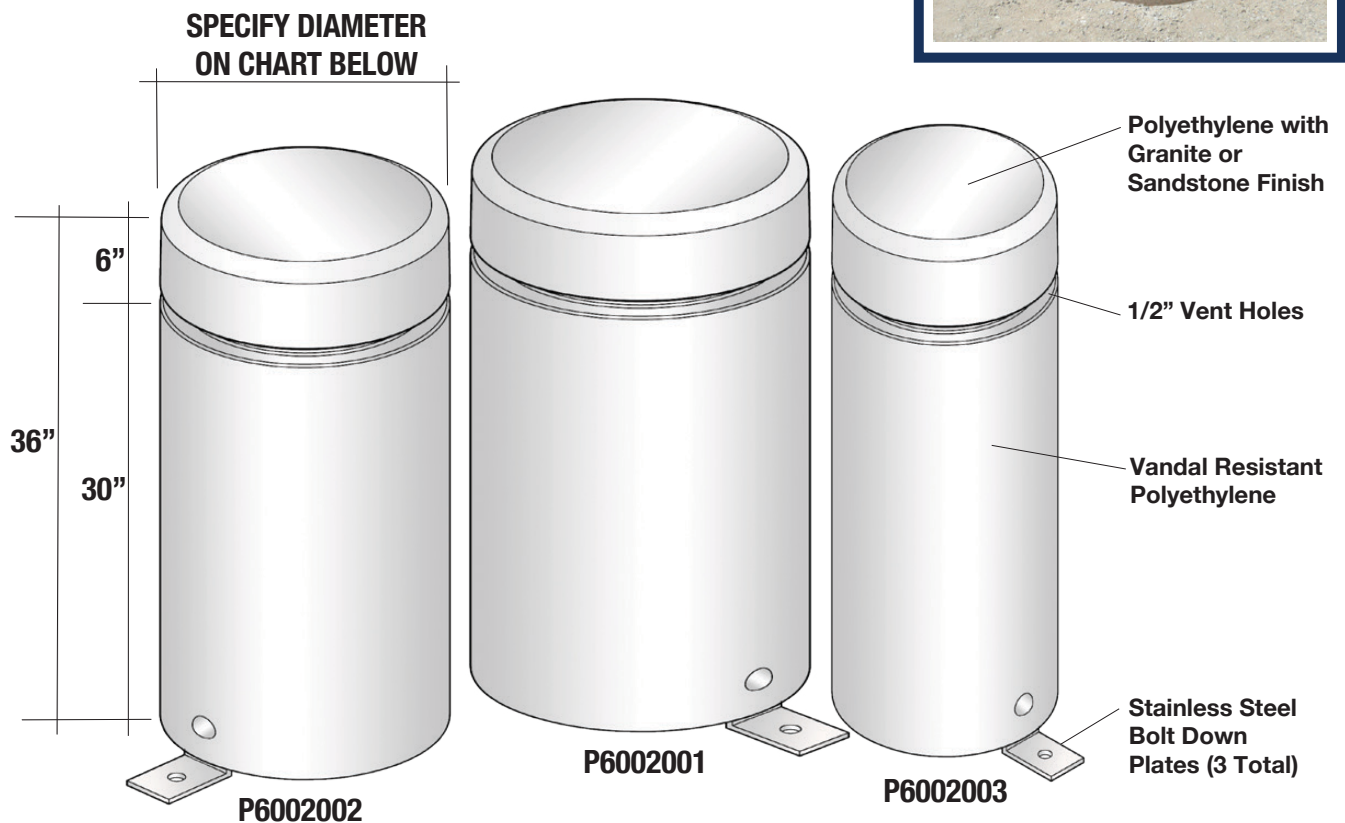
ARMORCAST PRODUCTS COMPANY

POLYETHYLENE

P6002001 / P6002002 / P6002003

### FEATURES

Armorcast Products Air Vacuum Valve Enclosures are manufactured from low density polyethylene material with UV inhibitors for commercial or residential settings. They are maintenance free, graffiti resistant, sturdy, lightweight, high impact resistance and has outstanding weatherability. Mounting frame is designed for easy removal to facilitate entry to those particular valves that may require frequent access. Aesthetically pleasing finishes include Sandstone, Granite, Light and Dark Green, additional colors are available.



SPECIALTY PRODUCTS

### AIR VACUUM VALVE ROUND VENT ENCLOSURES

DESCRIPTION	NOMINAL SIZE W x H	PART NUMBER	APPROX. WEIGHT	PALLET QTY.
Round Enclosure	12" DIA. x 36" with 10- 1/2" Vent Holes	P6002003	15 lbs.	9
Round Enclosure	20" DIA. x 36" with 14- 1/2" Vent Holes	P6002002	25 lbs.	6
Round Enclosure	36" DIA. x 36" with 18- 1/2" Vent Holes	P6002001	40 lbs.	6

Armorcast Products Company reserves the right to update or discontinue product information at any time without notice.

[www.armorcastprod.com](http://www.armorcastprod.com)

Tel: (818) 982-3600 Fax: (818) 982-7742

# DUCT SPACER ASSEMBLY

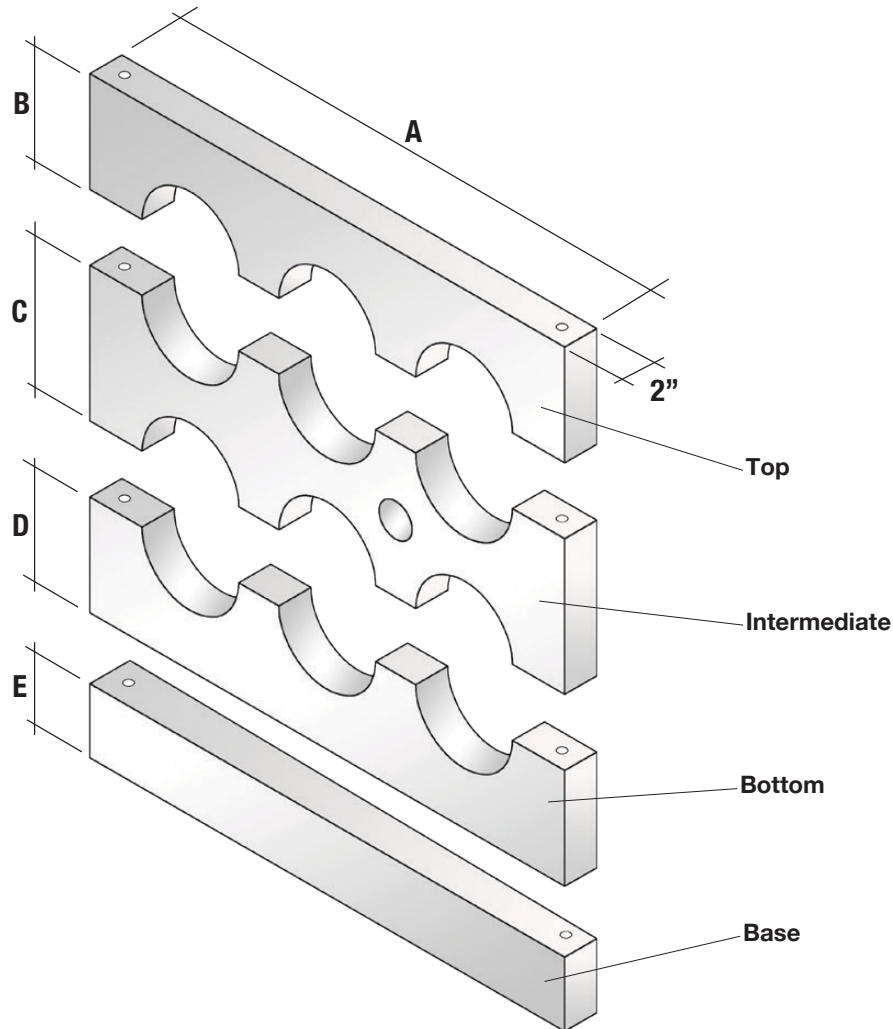


## POLYMER CONCRETE

ARMORCAST PRODUCTS COMPANY

- A6001546
- A6001551
- A6001552
- A6001554
- A6001589
- A6001590
- A6001611
- A6001794

Specify Size  
See Chart Below



SPECIALTY PRODUCTS

DUCT SIZE	A	B	C	D	E	PART NUMBER	HOLE DIA.	PART DESCRIPTION
6"	29.5"	6.25"	-	6.25"	3.875"	A6001546	7"	3 Wide
5.5"	35"	7"	8"	7"	3.875"	A6001551	6"	4 Wide
5.5"	21"	4.5"	7.5"	4.5"	3.875"	A6001552	6"	2 Wide
5"	18.5"	4.5"	-	4.5"	3.875"	A6001554	6"	2 Wide
5"	27.25"	5.875"	-	5.875"	3.875"	A6001589	6"	3 Wide
5"	24.25"	5.375"	6.75"	5.375"	3.875"	A6001590	6"	3 Wide
4"	24.5"	5.375"	-	5.375"	3.875"	A6001611	4.75"	2 Wide
4"	28"	5"	8"	4.5"	3.875"	A6001794	6 & 7"	3 Wide

Contact Armorcast Products for more Information.

Armorcast Products Company reserves the right to update or discontinue product information at any time without notice.

[www.armorcastprod.com](http://www.armorcastprod.com)

Tel: (818) 982-3600 Fax: (818) 982-7742



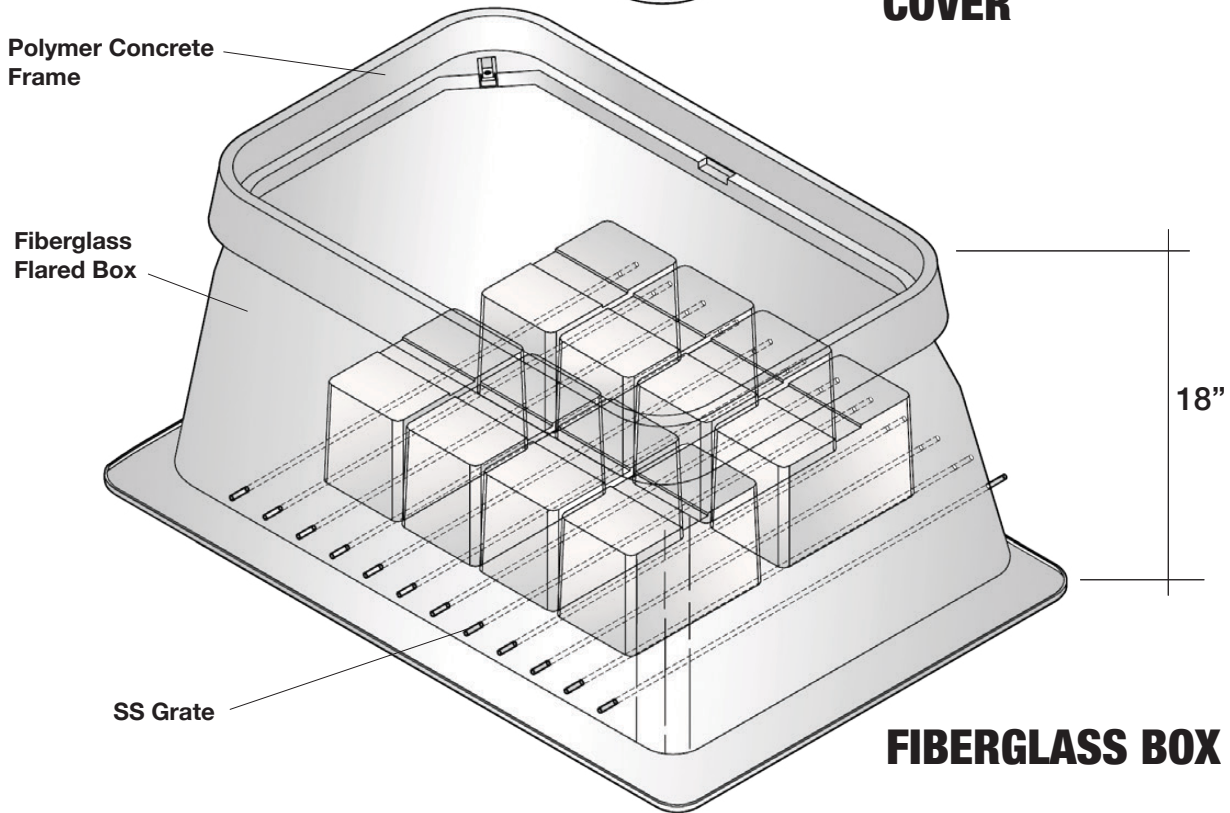
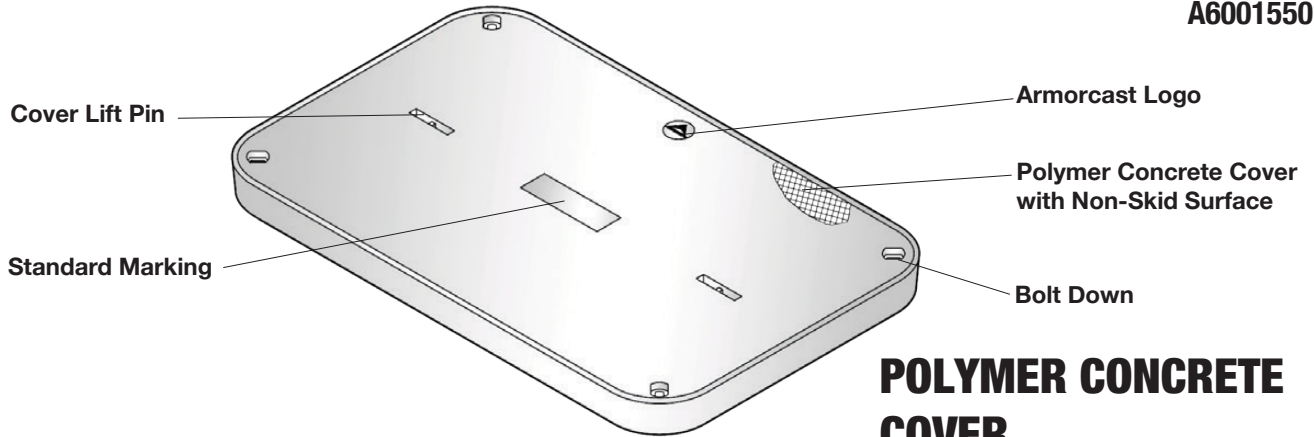
# FRP FLARED BATTERY BOX ASSEMBLY

**18" DEPTH**

**ARMORCAST PRODUCTS COMPANY**

**FIBERGLASS**

A6001640  
A6001550



**SPECIALTY PRODUCTS**

## FRP FLARED BATTERY BOX ASSEMBLIES

DESCRIPTION	NOMINAL SIZE W x L x D	LOAD RATING	ANSI TIER	PART NUMBER
FRP Box / 3 Batteries	17" x 30" x 18"	20K	15	A6001640TA3
FRP Box / 4 Batteries	17" x 30" x 18"	20K	15	A6001640TA4
FRP Box / 8 Batteries	30" x 48" x 18"	20K	15	A6001550TA-8BB

- Battery Box Hardware Kit Included
- Back-up Batteries are Locked Down to SS Grate

Armorcast Products Company reserves the right to update or discontinue product information at any time without notice.

# OPTIONS

BOXES & VAULTS INTERIOR & EXTERIOR / COVERS



ARMORCAST PRODUCTS COMPANY



OPTIONS

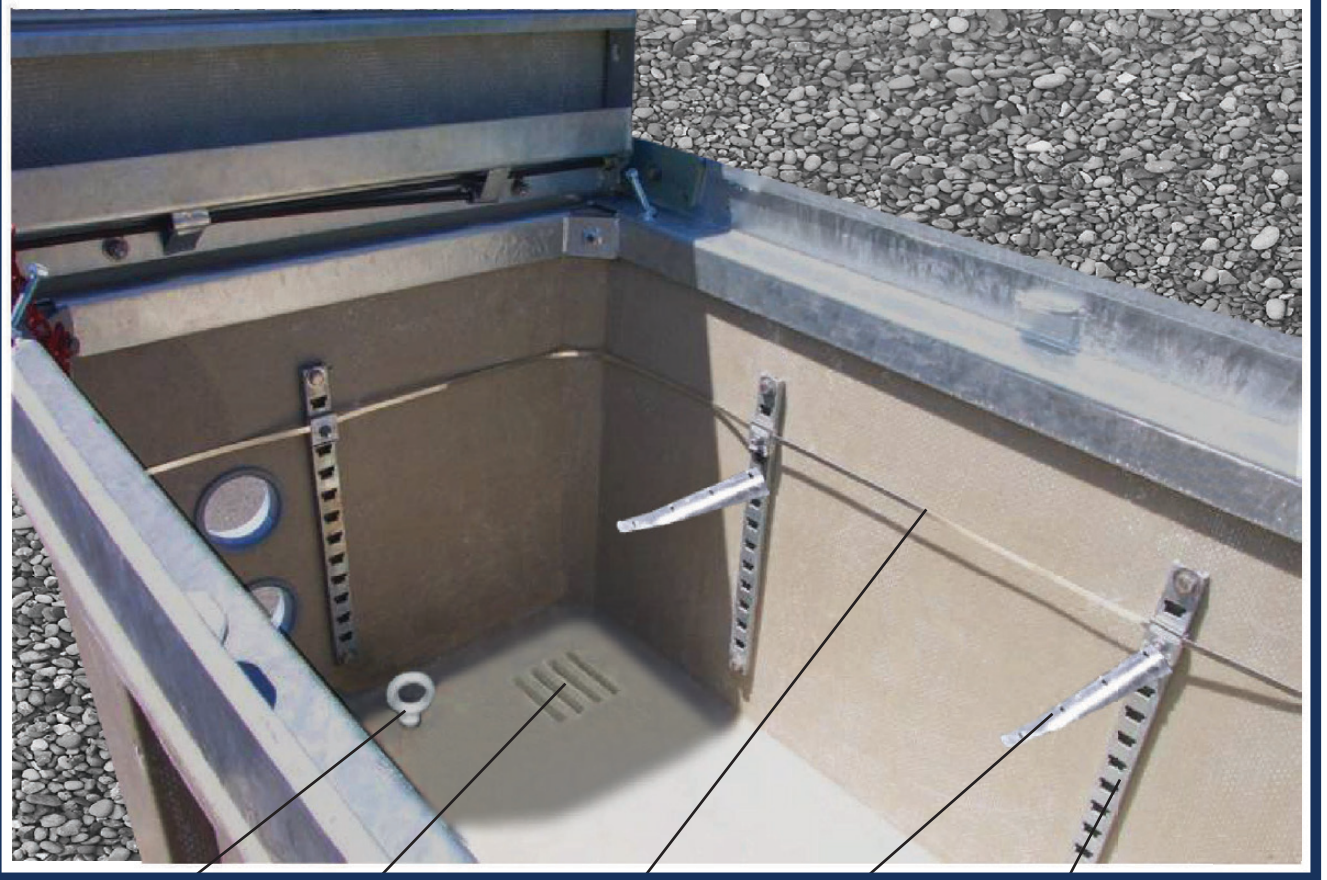




ARMORCAST PRODUCTS COMPANY

# OPTIONS VAULT INTERIORS

## VAULT INTERIOR STANDARD OPTIONS



Pull Eye    Drain Hole    Bonding Ribbon    Cable Arm    Cable Rack

### Armorcast Standard Hardware



STAINLESS STEEL  
Hex Head Bolts



STAINLESS STEEL  
Penta Head Bolts

### Ordering Information:

Contact an Armorcast Products Company representative or an Authorized Distributor for more information and technical assistance on our products and capabilities.

[www.armorcastprod.com](http://www.armorcastprod.com)

Tel: (818) 982-3600 Fax: (818) 982-7742

OPTIONS

# OPTIONS

## COVERS & LIDS



ARMORCAST PRODUCTS COMPANY

### STANDARD or CUSTOM LOGOS

- Electric
- Telephone
- CATV
- Broadband
- Danger High Voltage
- Communication
- Fiber Optics
- Gas
- Water
- Railroad
- Traffic Signal
- Illumination
- Lighting
- Street Lighting

### AMR / AMI COVERS

AMR Covers vary in size and location. Covers can be read at distances in excess of 1500 feet.



ROUND AMR/AMI  
UNDER MOUNT



RECTANGLE AMR/AMI  
UNDER MOUNT



RECTANGLE AMR/AMI  
TOP MOUNT WITH HINGED LID



RECTANGLE AMR/AMI  
TOP MOUNT

### EMS MARKERS

EMS Markers are embedded into the covers. Contact Armorcast Products Company for details.



EMS POWER MARKER

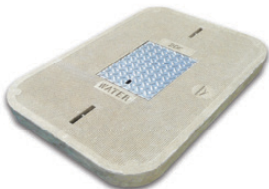


EMS WATER MARKER

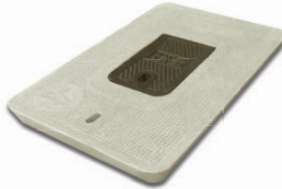


EMS TELEPHONE MARKER

### DROP IN / HINGED READER LIDS



COVER WITH  
DIAMOND PLATE HINGED LID



COVER WITH  
CAST IRON HINGED LID



COVER WITH  
DROP-IN LID



COVER WITH  
CUSTOM VENTED HINGED LID

### Ordering Information:

Contact an Armorcast Products Company representative or an Authorized Distributor for more information and technical assistance on our products and capabilities.



**ARMORCAST PRODUCTS COMPANY**

# OPTIONS

## BOX & VAULT EXTERIOR

### BOX & VAULT EXTERIOR STANDARD OPTIONS

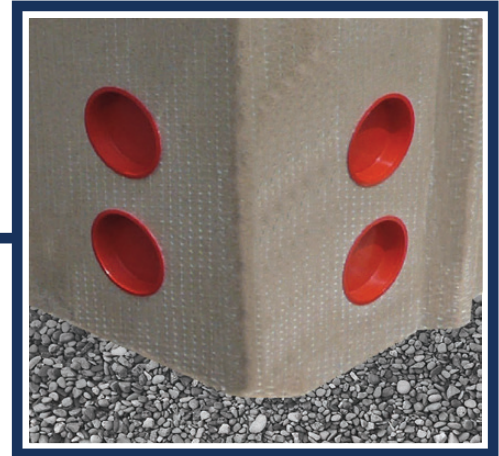
Armorcast Products standard exterior options include Knockouts, Mouseholes and Terminators. Hole sizes and location will be determined upon customer request. Other options are available.

#### Ordering Information:

Contact an Armorcast Products Company representative or an authorized Armorcast Distributor for more information and technical assistance on our products and capabilities.

### KNOCKOUTS

Knockouts vary in size and location. Contact Armorcast Products Company for specifications.



### MOUSEHOLES

Mouseholes vary in size and location. Contact Armorcast Products Company for specifications.



### TERMINATORS

Terminators vary in size and location. Contact Armorcast Products Company for specifications.



OPTIONS

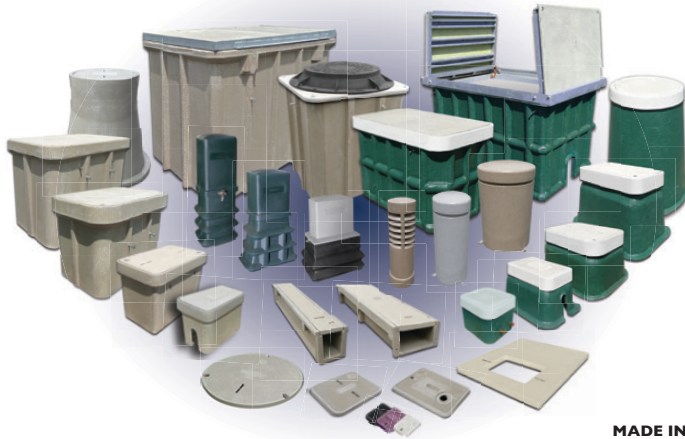




# *Armorcast Products Company Diversified Family Line of Products*



## **COMPOSITE ENCLOSURES**



MADE IN THE U.S.A.



Portable Security & Protection  
**GUARDIAN SAFETY BARRIERS**  
CONSTRUCTION • HIGHWAY • TRAFFIC • CONTAINMENT



**ROTATIONAL MOLDING PRODUCTS**  
CUSTOM & OEM MANUFACTURING



# *Innovation • Quality • Variety • Service*



**ARMORCAST PRODUCTS COMPANY**

Tel: (818) 982-3600 Fax: (818) 982-7742  
13230 Saticoy Street, No. Hollywood, Ca 91605  
[www.armorcastprod.com](http://www.armorcastprod.com)

©2017 Armorcast Products Company 3/2017 All Rights Reserved

