

12" x 20" BOX ASSEMBLY

12" DEPTH



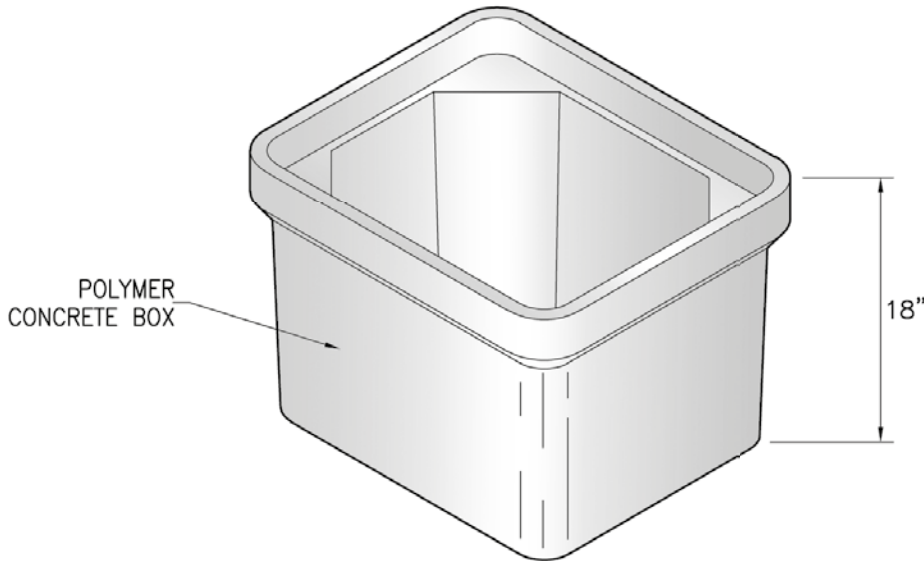
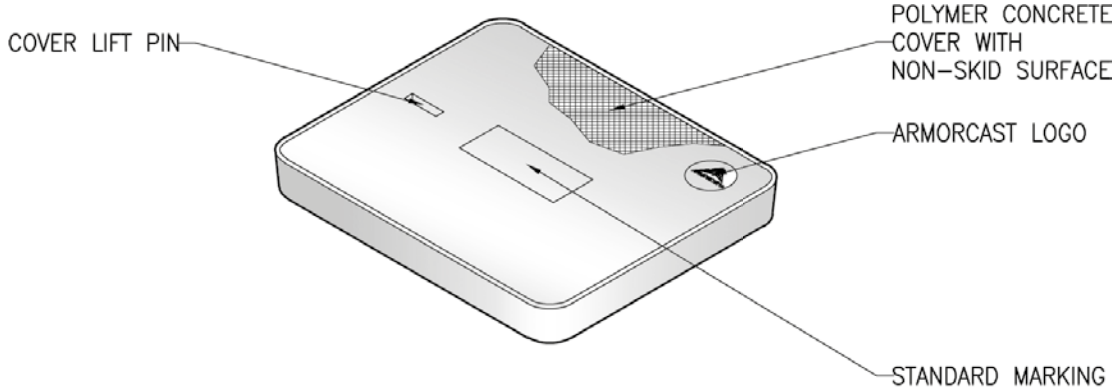
POLYMER CONCRETE

ARMORCAST PRODUCTS COMPANY

A6000485



LISTED
FILE #E364252



POLYMER CONCRETE BOXES

12"W x 20"L BOX ASSEMBLIES Specify Depth Below

DESCRIPTION	NOMINAL SIZE W x L x D	LOAD RATING	ANSI TIER	PART NUMBER	APPROX. WEIGHT	PALLET QTY.
Box & Cover Assembly	12" x 20" x 12"	10K	8	A6000485AX12	47 lbs.	24
	12" x 20" x 12"	20K	15 / 22	A6000485TAX12 / A6000485HDAX12	55 lbs.	24

COMPONENTS

MORE COVER VARIATIONS ARE AVAILABLE IN OUR "COVER SECTION"

DESCRIPTION	NOMINAL SIZE W x L x D	LOAD RATING	ANSI TIER	PART NUMBER	APPROX. WEIGHT	PALLET QTY.
Replacement Covers	12" x 20"	10K	8	A6000484	15 lbs.	50
	12" x 20"	20K	15	A6000484T	23 lbs.	50
Replacement Box	12" x 20" x 12"	10K / 20K	22	A6000485	32 lbs.	24

- Boxes are Open Bottom and Stackable, also available with Solid Bottoms.
- For sizes not shown please contact Armorcast Products for more information.

THIS PRODUCT IS LISTED TO APPLICABLE UL STANDARDS AND REQUIREMENTS BY UL.

www.armorcastprod.com

Tel: (818) 982-3600 Fax: (818) 982-7742



ARMORCAST PRODUCTS COMPANY

12" x 20" BOX ASSEMBLY

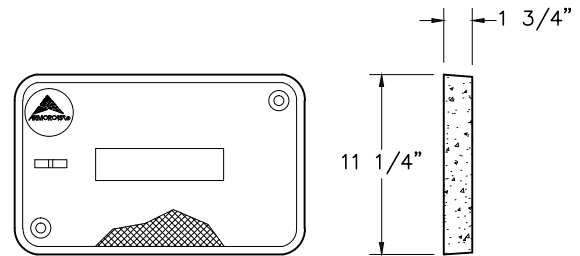
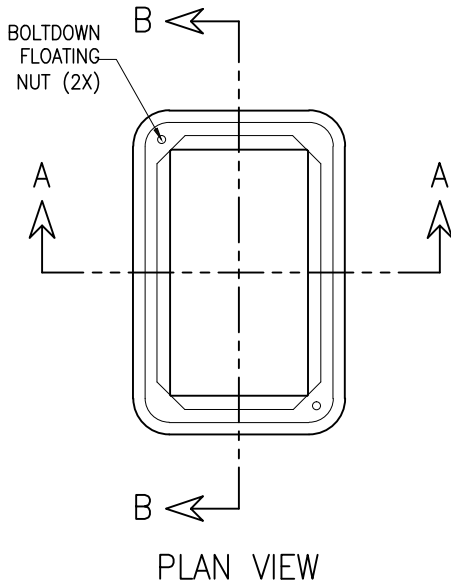
STANDARD DIMENSIONS

POLYMER CONCRETE

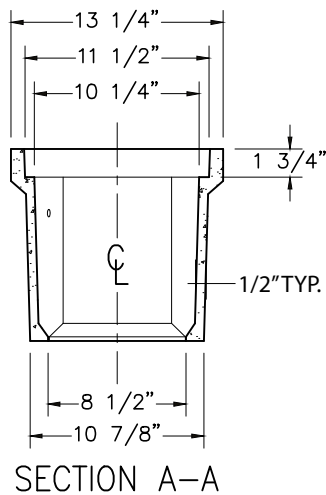
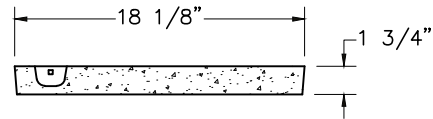
A6000485



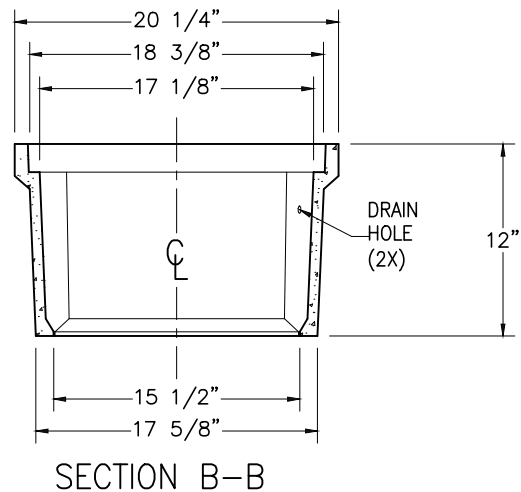
FILE #E364252



POLYMER CONCRETE COVER



SECTION A-A



SECTION B-B

POLYMER CONCRETE BOXES

Armorcast Products Company reserves the right to update or discontinue product information at any time without notice.

THIS PRODUCT IS LISTED TO APPLICABLE UL STANDARDS AND REQUIREMENTS BY UL.

www.armorcastprod.com

Tel: (818) 982-3600 Fax: (818) 982-7742