



Vault™
Top-mount/ Under-mount Kitchen Sink
K-3894-4

Features

- Small single bowl.
- 6-inch depth.
- Three faucet holes with one accessory hole to the right.
- 27-inch minimum base cabinet width.
- 25" (635 mm) x 22" (559 mm)

Material

- 18-gauge stainless steel.

Technology

- SilentShield® sound-absorption technology offers quieter performance.

Installation

- Top-mount or under-mount.

Optional Accessories

- K- 6645 Sink Rack
- K- 8801 Sink Strainer
- 1177161 Installation Clip Kit

Components

- Product includes:
- 1130570 Hardware Kit, Self-Rimming



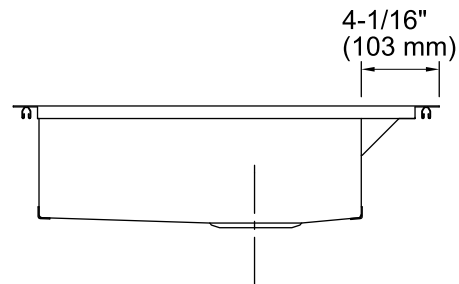
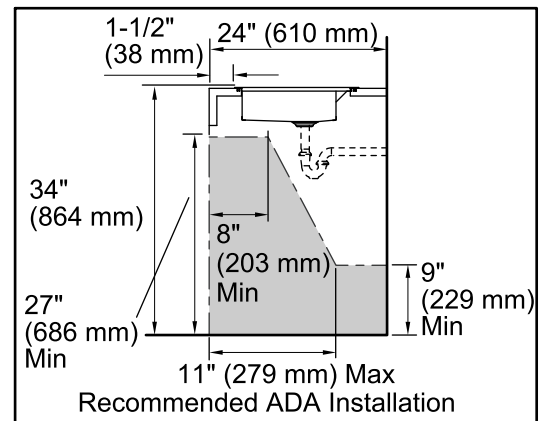
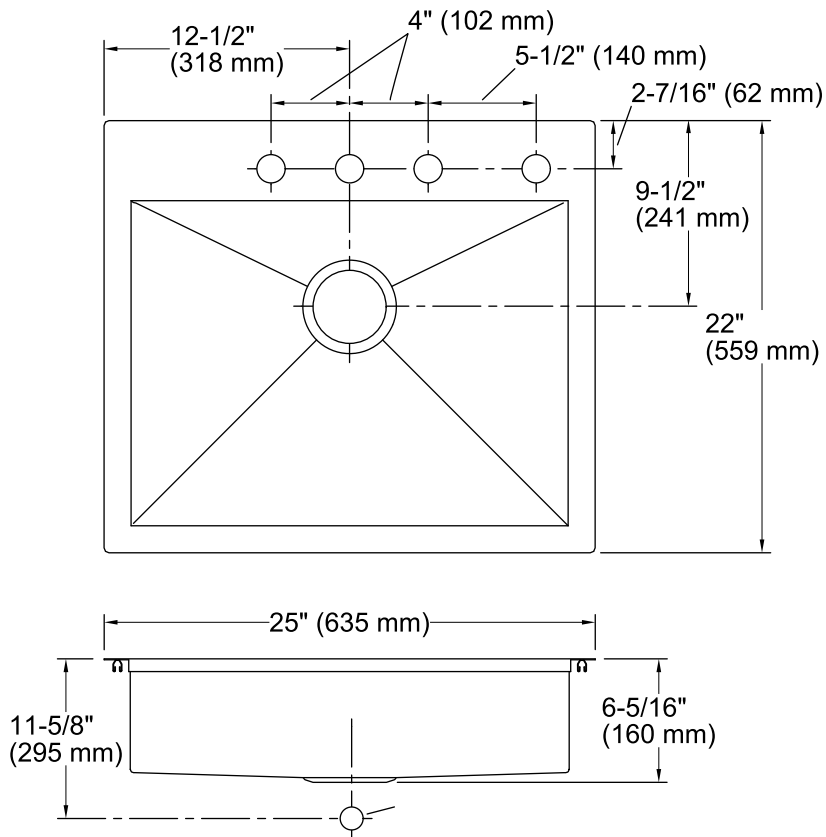
ADA

Codes/Standards

- ASME A112.19.3/CSA B45.4
- ADA
- ICC/ANSI A117.1

KOHLER® One-Year Limited Warranty

See website for detailed warranty information.



Technical Information

All product dimensions are nominal.

Bowl configuration: Single

Installation: Top-mount, Under-mount

Bowl area (Only) Length: 22-1/4" (565 mm)

Width: 16-9/16" (420 mm)

Bowl depth: 6" (152 mm)

Water depth: 6" (152 mm)

Number of deck holes: 4

Faucet hole(s): 1-7/16" (37 mm)

Soap/Lotion hole: 1-7/16" (37 mm)

Drain hole: 3-3/4" (94 mm)

Template: Top-mount/Under-mount, 1130822-7, required, included

Notes

Install this product according to the installation guide.

Hardware Kit 1177161 needed for countertops with a 2-1/2" (64 mm) thickness or less.

For under-mount installation, counter top thickness can not be greater than 1" (25 mm) for ADA compliance.

ADA compliant when installed to the specific requirements of these regulations.