

For Residential and Commercial Applications

Job Name _____

Contractor _____

Job Location _____

Approval _____

Engineer _____

Contractor's P.O. No. _____

Approval _____

Representative _____

Series AS, AS-T

Heavy Duty Cast Iron Air Separators

Sizes: 1" – 3" (25 – 80mm)

Series AS Air Separator is designed for efficient separation of air from water in Hydronic Heating Systems. Watts air separators have heavy cast iron construction. They have tapplings for the installation of an expansion tank and air vent. Entrapped air in the hot water heating system piping is dispersed by the internal agitator of the air separator as the water is recirculated within the heating system piping. This provides quiet efficient operation of the hot water heating system radiation.

Features

- 1/2" (15mm) tapplings on each side for fill valve piping
- Heavy cast iron construction
- Furnished with tapplings for expansion tank and air vent
- Provides complete, purging and venting of air in the system when installed in conjunction with the Watts "FV4M1" or Duo Vent float vents
- Efficient separation of air

Models

AS – Sizes

1", 1 1/4", 1 1/2", 2", 2 1/2", 3" (25–80mm),
NPT female inlet/outlet connections. With 1/8" (3mm)
female threaded connection for float vent and 1/2" (15mm)
female threaded connection for expansion tank.

AS-T – Sizes

1" and 1 1/4" (25 and 32mm), with 1/2" (15mm)
feed water tapping

Pressure - Temperature

Maximum Working Pressure: 80psi (5.5 bar) at 275°F (135°C)



AS

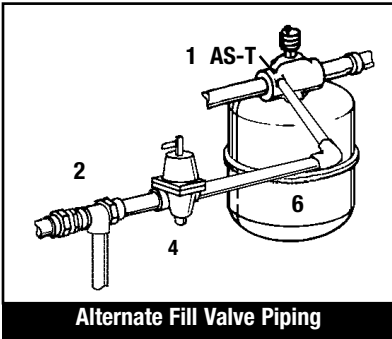


AS-T

WATTS®

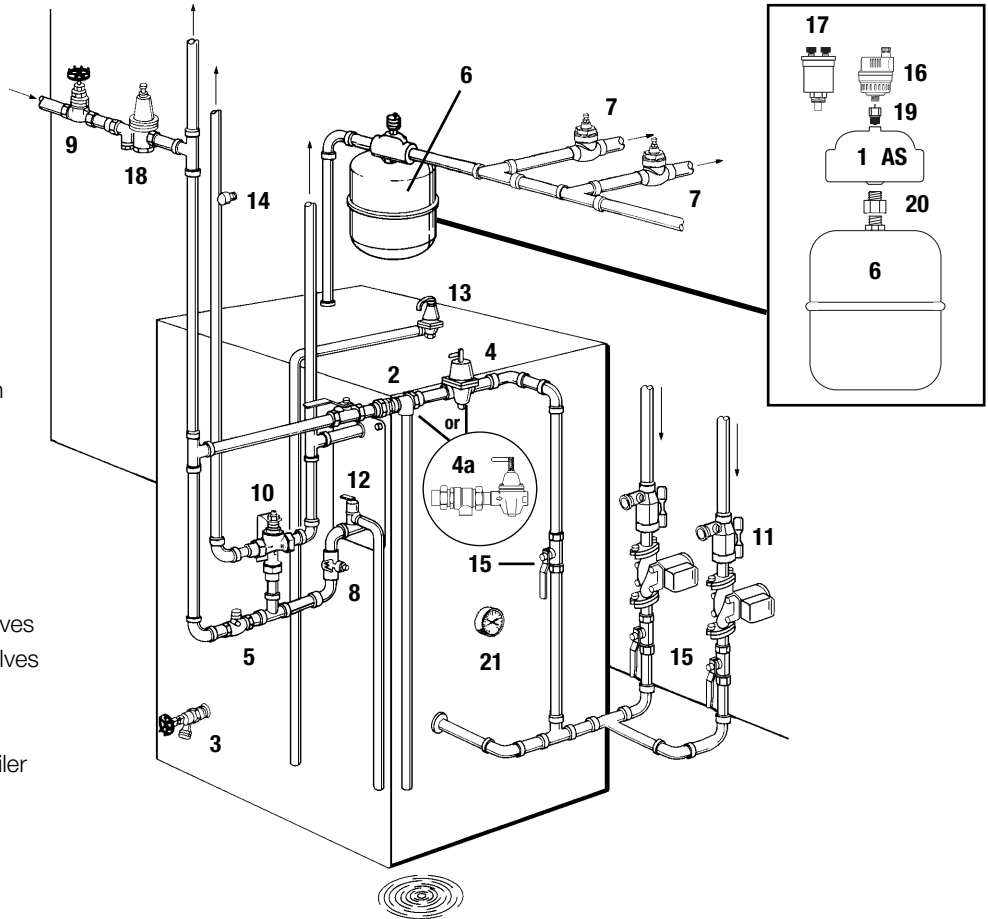
Watts product specifications in U.S. customary units and metric are approximate and are provided for reference only. For precise measurements, please contact Watts Technical Service. Watts reserves the right to change or modify product design, construction, specifications, or materials without prior notice and without incurring any obligation to make such changes and modifications on Watts products previously or subsequently sold.

Watts Specialty Items for Hydronic Heating Systems



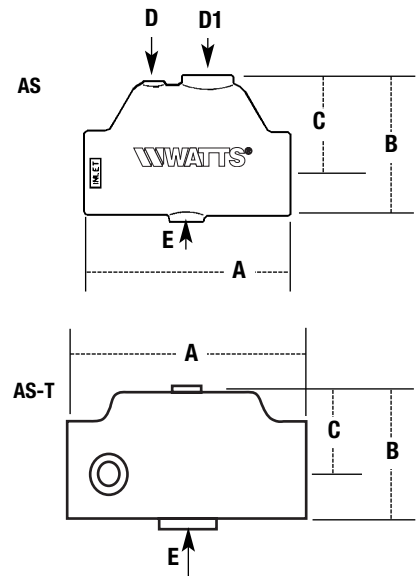
Alternate Fill Valve Piping

1. AS or AS-T Air Separator
2. 9D Backflow Preventer
3. BD,SW,SS Boiler Drain Valves
4. 1156F-A or 1156F, B1156F, N256, 1450F, T145B Boiler Fill Valves 4a 911S Combination S1156F Fill Valve and 9D Backflow Preventer
5. CV/CVY Bronze Check Valve
6. ET/ETX Expansion Tank
7. 2000, 2000S Flow Checks
8. P3 Flow Control Valve
9. GVS/GV Gate or GLV Globe Valves
10. 1170, 70A, N170-M2 Mixing Valves
11. RPV or PB56 Purge Valves
12. 3L, 53L Pressure Relief Valves
13. 374A, 174A, 740 Hot Water Boiler Safety Relief Valves
14. T&P Test Plug
15. B-6000 Ball Valve
16. FV-4M1 Float Vent Valve
17. DuoVent Automatic Float Vent Valve
18. U5B, 25AUB Water Pressure Reducing Valves
19. SCV 1/8" or 1/4" Service Check Valves
20. SCV 1/2" Service Check Valve
21. DPTG Temperature/Pressure Gauge



Dimensions

MODEL	SIZE (DN)		DIMENSIONS							WEIGHTS						
	in.	mm	A		B		C		D		E		lbs.	kg		
AS-M1	1	25	6 1/4	159	4	102	2 3/4	70	1/8	3	-	-	1/2	13	4.5	2.0
AS-T-M1	1	25	6 1/4	159	4	102	2 3/4	70	1/8	3	1/2	13	1/2	13	4.5	2.0
AS-M1	1 1/4	32	6 1/4	159	4	102	2 3/4	70	1/8	3	-	-	1/2	13	4.5	2.0
AS-T-M1	1 1/4	32	6 1/4	159	4	102	2 3/4	70	1/8	3	1/2	13	1/2	13	4.5	2.0
AS-M1	1 1/2	40	8	203	5 5/16	135	3 5/8	92	1/8	3	1	25	1/2	13	7.4	3.4
AS-M1	2	50	8	203	5 5/16	135	3 5/8	92	1/8	3	1	25	1/2	13	7.4	3.4
AS-M1	2 1/2	65	10 5/16	262	7 1/4	184	5	127	1/8	3	1	25	1/2	13	15.0	6.8
AS-M1	3	80	10 5/16	262	7 1/4	184	5	127	1/8	3	1	25	1/2	13	15.0	6.8



Water Safety & Flow Control Products



USA: 815 Chestnut St., No. Andover, MA 01845-6098; www.watts.com
 Canada: 5435 North Service Rd., Burlington, ONT. L7L 5H7; www.wattscanada.ca