

TECHNICAL SUPPORT MANUAL

Two-Stage Split System Heat Pump (H,C,T)CH6

Safety Labeling and Signal Words

DANGER, WARNING, CAUTION, and NOTE

The signal words **DANGER**, **WARNING**, **CAUTION**, and **NOTE** are used to identify levels of hazard seriousness. The signal word **DANGER** is only used on product labels to signify an immediate hazard. The signal words **WARNING**, **CAUTION**, and **NOTE** will be used on product labels and throughout this manual and other manuals that may apply to the product.

DANGER - Immediate hazards which **will** result in severe personal injury or death.

WARNING - Hazards or unsafe practices which **could** result in severe personal injury or death.

CAUTION - Hazards or unsafe practices which **may** result in minor personal injury or product or property damage.

NOTE - Used to highlight suggestions which **will** result in enhanced installation, reliability, or operation.

Signal Words in Manuals

The signal word **WARNING** is used throughout this manual in the following manner:



The signal word **CAUTION** is used throughout this manual in the following manner:



Signal Words on Product Labeling

Signal words are used in combination with colors and/or pictures on product labels.

TABLE OF CONTENTS

Model Number Identification	2-3
R-410A Quick Reference Guide	4
Wiring Diagram Connection	5
Wiring Diagram Schematic	6
Flash Code	7-8
R-410A Charging Chart	9
Tech Labels (Expanded Data)	10-14
Cooling Multiplying Factors	15-38
Heating Multiplying Factors	38-61
Physical Data	62
Accessories	63
HCH6,CCH6,TCH6 Parts List	64-66
Exploded Drawings	67-69

WARNING

PERSONAL INJURY, AND/OR PROPERTY DAMAGE HAZARD

Failure to carefully read and follow this warning could result in equipment malfunction, property damage, personal injury and/or death.

Installation or repairs made by unqualified persons could result in equipment malfunction, property damage, personal injury and/or death.

The information contained in this manual is intended for use by a qualified service technician familiar with safety procedures and equipped with the proper tools and test instruments.

Installation must conform with local building codes and with the National Electrical Code NFPA70 current edition or Canadian Electrical Code Part 1 CSA C.22.1.

OUTDOOR UNIT MODEL NUMBER IDENTIFICATION GUIDE (single phase)											
Digit Position:	1	2	3	4	5, 6	7	8	9	10	11	12
Example Part Number:	HCT	C	H	6	24	G	K	A	1	0	0
T = Tempstar Mainline H = Arcoaire Mainline C = Comfortmaker Mainline C = Day & Night Mainline H = Airquest Mainline C = Keeprite Mainline C = Kenmore Mainline H = Kenmore Mainline T = Kenmore Mainline H = ICP Commercial Mainline H = Heil Mainline N = Tempstar Entry BRANDING N = Arcoaire Entry BRANDING N = Comfortmaker Entry BRANDING N = Day & Night Entry BRANDING N = Airquest Entry BRANDING N = Keeprite Entry BRANDING N = Kenmore Entry BRANDING N = Kenmore Entry BRANDING N = Kenmore Entry BRANDING N = ICP Commercial Entry BRANDING											
C = Communicating <p style="text-align: right;">KEY CHARACTERISTIC</p>											
A = Air Conditioner H = Heat Pump <p style="text-align: right;">TYPE</p>											
6 = 16 SEER 7 = 17 SEER 8 = 18 SEER 9 = 19 SEER <p style="text-align: right;">NOMINAL EFFICIENCY</p>											
24 = 24,000 BTUH = 2 tons 36 = 36,000 BTUH = 3 tons 48 = 48,000 BTUH = 4 tons 60 = 60,000 BTUH = 5 tons <p style="text-align: right;">NOMINAL CAPACITY</p>											
G = Coil Guard Grille <p style="text-align: right;">FEATURES</p>											
K = 208/230-1-60 <p style="text-align: right;">VOLTAGE</p>											
Sales Code											
Engineering Revision											
Extra Digit											
Extra Digit											

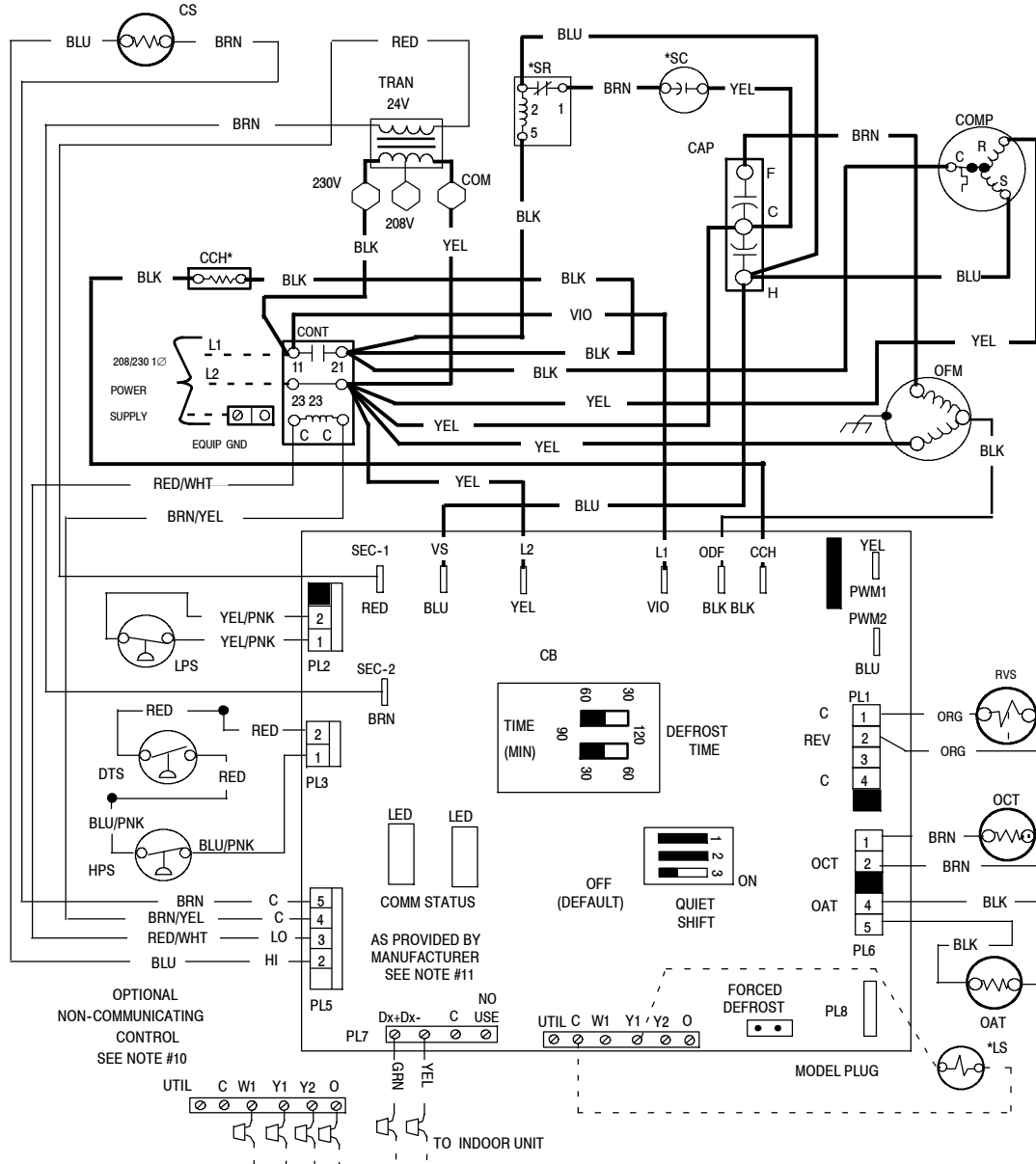
ACCESSORIES PART NUMBER IDENTIFICATION GUIDE									
Digit Position:	1	2	3	4	5	6, 7	8, 9	10, 11	
Example Part Number:	N	A	S	A	0	01	01	CH	
N = Non-Branded									
A = Accessory PRODUCT GROUP									
S = Split System (AC & HP) KIT USAGE									
A = Original									
B = 2nd Generation MAJOR SERIES									
0 = Generic or Not Applicable									
2 = R-22									
4 = R-410A REFRIGERANT									
Product Identifier Number									
Package Quantity									
Type of Kit (Example: CH = Crankcase Heater)									

R-410A QUICK REFERENCE GUIDE

- R-410A refrigerant operates at 50% – 70% higher pressures than R-22. Be sure that servicing equipment and replacement components are designed to operate with R-410A.
- R-410A refrigerant cylinders are rose colored.
- Recovery cylinder service pressure rating must be 400 psig, DOT 4BA400 or DOT BW400.
- R-410A systems should be charged with liquid refrigerant. Use a commercial type metering device in the manifold hose when charging into suction line with compressor operating.
- Manifold sets should be 750 psig high-side and 200 psig low-side with 520 psig low-side retard.
- Use hoses with 750 psig service pressure rating.
- Leak detectors should be designed to detect HFC refrigerant.
- R-410A, as with other HFC refrigerants, is only compatible with POE oils.
- Vacuum pumps will not remove moisture from oil.
- Do not use liquid line filter-driers with rated working pressures less than 600 psig.
- Do not install a suction line filter-drier in liquid line.
- POE oils absorb moisture rapidly. Do not expose oil to atmosphere.
- POE oils may cause damage to certain plastics and roofing materials.
- Wrap all filter-driers and service valves with wet cloth when brazing.
- A liquid line filter-drier is required on every unit.
- Do not use with an R-22 TXV.
- If indoor unit is equipped with an R-22 TXV, it must be changed to an R-410A TXV.
- Never open system to atmosphere while it is under a vacuum.
- When system must be opened for service, break vacuum with dry nitrogen and replace all filter-driers. Evacuate to 500 microns before recharging.
- Do not vent R-410A into the atmosphere.
- Do not use capillary tube indoor coils.
- Observe all **WARNINGS, CAUTIONS, NOTES**, and **bold** text.

Model Sizes: 24, 36, 48, 60

CONNECTION DIAGRAM



LEGEND

—	FACTORY POWER WIRING	●	JUNCTION	CS	COMP HIGH CAP SOLENOID	OFM	OUTDOOR FAN MOTOR
—	FACTORY CONTROL WIRING	CAP	CAPACITOR	DTS	DISCHARGE TEMP SWITCH	RVS	REVERSING VALVE SOLENOID
- - -	FIELD CONTROL WIRING	CB	CIRCUIT BOARD	HPS	HIGH PRESSURE SWITCH	SC	START CAPACITOR
- - -	FIELD POWER WIRING	*CCH	CRANKCASE HEATER	LPS	LOW PRESSURE SWITCH	SEV	SOLENOID EXPANSION VALVE
○	COMPONENT CONNECTION	COMM	SYSTEM COMMUNICATION	*LS	LIQUID SOLENOID	SR	START RELAY
⊕	FIELD SPLICE	COMP	COMPRESSOR	OAT	THERMISTOR (OUTDOOR AIR)	STATUS	SYSTEM FUNCTION LIGHT
		CONT	CONTACTOR	OCT	THERMISTOR COIL	TRAN	TRANSFORMER

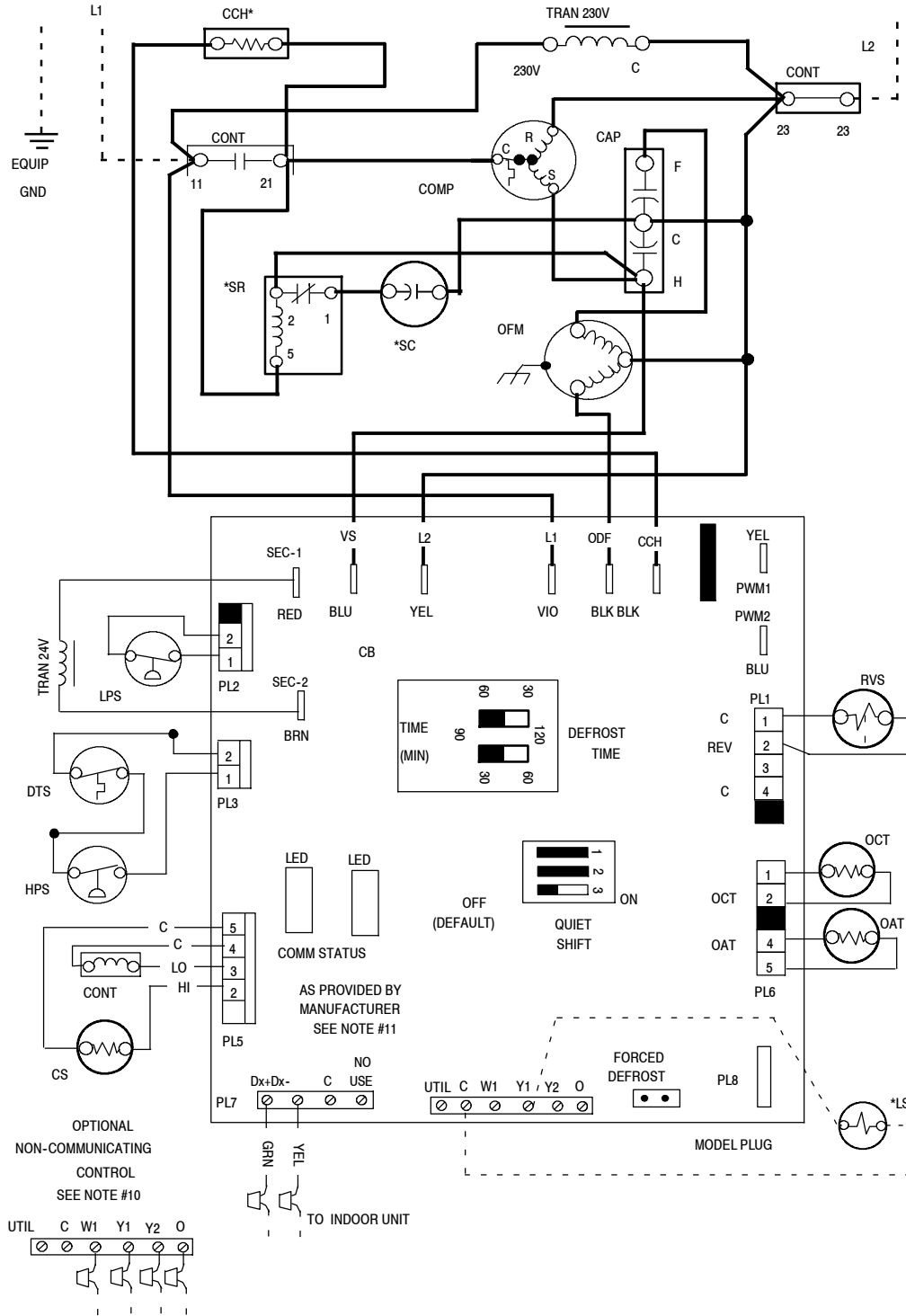
* MAY BE FIELD INSTALLED

NOTES:

- Compressor furnished with inherent thermal protection.
- To be wired in accordance with National Electric Code (N.E.C.) and local codes.
- Outdoor unit control requires a minimum of 27 va, 24 vac control power.
- Use copper conductors only. Use conductors suitable for at least 70°C (167°F).
- If indoor section has a transformer with a grounded secondary, connect the grounded side to "C".
- If any of the original wire, as supplied, must be replaced, use the same or equivalent wire.
- Check all electrical connections inside control box for tightness.
- Do not attempt to operate unit until service valves have been opened (Back Seated).
- MUST USE THERMOSTAT OR OBSERVER WALL CONTROL LISTED IN PRE-SALE LITERATURE ONLY.**
- In case of non-communicating indoor system disconnect factory provided wires from Dx+ and Dx- terminals. Use factory provided wires to connect to W1, Y1, Y2, and O as required by installation instructions. Cap or remove unused factory provided wires. If additional grounding is needed use "C" terminal.
- For communicating control only.

Model Sizes: 24, 36, 48, 60

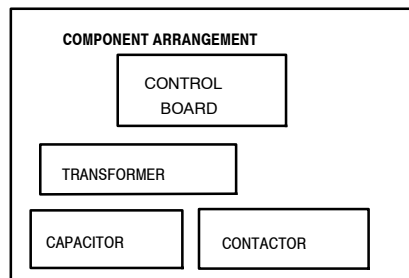
SCHMATIC DIAGRAM (LADDER FORM)



PIN RESISTANCE (K)

MODEL PLUG CHART

MODEL SIZE	MODEL PLUG	PIN RESISTANCE (KΩ)	
		1 - 4 (R1)	2 - 3 (R2)
024	041	18	91
036	043	18	150
048	045	18	220
060	047	18	360



FLASH CODE	FAULT DEFINITION	FLASH CODE	FAULT DEFINITION
On, No Flash	Standby	53	Outdoor Air Temp Sensor
1, Pause	Low Stage	55	Coil Temp Sensor
2, Pause	High Stage	56	Temp Sensor Range Error
Continuous Flash	Emergency Mode	71	Low Stage Thermal Cutout
16	System Communications Failure	72	High Stage Thermal Cutout
25	Invalid Model Plug	73	Contactors Shorted
31	High Pressure Switch Trip	74	Contactors Open (No 230v to Comp)
32	Low Pressure Switch Trip	81	Low Stage Thermal Lockout (4 HRS)
45	Control Fault	82	High Stage Thermal Lockout (4 HRS)
46	Brown out (230V)	83	Low Pressure Lockout (4 HRS)
47	No 230v with Call to Run	84	High Pressure Lockout (4 HRS)

Short flashes indicate the first digit in the status code, followed by long flashes indicating the second digit of the status code.

UNIT OPERATION

Time Delays

The unit time delays include:

- Five minute time delay to start cooling operation when there is a call from the thermostat or wall Control. To bypass this feature, momentarily short and release Forced Defrost pins or hold the "Cool To" or "Heat To" button on the Observer Wall Control for 10 seconds.
- Five minute compressor re-cycle delay on return from a brown-out condition.
- Two minute time delay to return to standby operation from last valid communication (Observer Communicating Wall Control only).
- One minute time delay of outdoor fan at termination of cooling mode when outdoor ambient is greater than or equal to 100° F (37.8° C).
- Fifteen second delay at termination of defrost before the auxiliary heat (W1) is de-energized.
- Twenty second delay at termination of defrost before the outdoor fan is energized.
- Thirty second compressor delay and 40 seconds outdoor fan delay when quiet shift enabled.

Crankcase Heater

-The crankcase heater is de-energized when the compressor is running. The crankcase heater is energized when the compressor is off and the ambient is less than 42° F. When the ambient temperature is between 65° F and 42° F the crankcase heater is energized 30 minutes after the compressor is turned off. When the ambient is above 65° F the crankcase heater remains de-energized after the compressor is turned off.

Defrost time selection

This control offers 5 possible defrost interval times: 30, 60, 90, 120 minutes, or AUTO. Defrost intervals are selected by dip switches on the unit control board or by the Observer Wall Control. The Observer Wall Control selection overrides the control board dip switch settings.

AUTO defrost adjusts the defrost interval time based on the last defrost time as follows:

- When defrost time <3 minutes, the next defrost interval =120 minutes.
- When defrost time 3-5 minutes, the next defrost interval =90 minutes.
- When defrost time 5-7 minutes, the next defrost interval =60 minutes.
- When defrost time >7 minutes, the next defrost interval =30 minutes.

Defrost

The control board accumulates compressor run time. As the accumulated run time approaches the selected defrost interval time, the control board monitors the coil temperature sensor for a defrost demand. If a defrost demand exists, a defrost cycle will be initiated at the end of the selected time interval. A defrost demand exists when the coil temperature is at or below 32° F (0° C) for 4 minutes during the interval. The defrost cycle is terminated when the coil temperature reaches 65° F (18.33° C) or 10 minutes has passed. When OAT is >25° F (-3.9° C), defrost will occur in low or high stage as demanded by the thermostat or Wall Control. If OAT is ≤25° F (-3.9° C), defrost will occur in high stage only, regardless of thermostat or Wall Control demand, and will terminate at 50° F (10° C) coil temperature with a minimum of 2.5 minutes in defrost. If the coil temperature does not reach 32° F (0° C) within the interval, the interval timer will be reset and start over. Upon initial power up the first defrost interval is defaulted to 30 minutes. Remaining intervals are at selected times. Defrost is only allowed to occur below 50° F (10° C) outdoor ambient temperature. The outdoor fan output (ODF) will remain off for 20 seconds after termination. This delay will allow time for the system to capture the heat from the outdoor coil and reduce the "steam cloud" effect that may occur on transition from defrost to heating cycle.

Field initiated forced defrost

On a system with non-communicating (non-Observer) control, forced defrost can be initiated by manually shorting the 2-pin header labeled FORCED DEFROST (see page 6) on the control board for 5 seconds then releasing. If coil temperature is at defrost temperature of 32° F (0° C), and outdoor air temperature is below 50° F (10° C), a full defrost sequence will occur. If coil temperature or outdoor air temperature does not meet the above requirements, an abbreviated 30 second defrost will occur.

R-410A CHARGING CHART												
Measured Liquid Pressure (psig)	Rating Plate (required) Subcooling Temperature °F (°C)											
	°F 6	(°C) 3	°F 8	(°C) 4	°F 10	(°C) 6	°F 12	(°C) 7	F 14	(°C) 8	F 16	(°C) 9
	R-410A Required Liquid Line Temperature °F (°C)											
251	78	26	76	24	74	23	72	22	70	21	68	20
259	80	27	78	26	76	24	74	23	72	22	70	21
266	82	28	80	27	78	26	76	24	74	23	72	22
274	84	29	82	28	80	27	78	26	76	24	74	23
283	86	30	84	29	82	28	80	27	78	26	76	24
291	88	31	86	30	84	29	82	28	80	27	78	26
299	90	32	88	31	86	30	84	29	82	28	80	27
308	92	33	90	32	88	31	86	30	84	29	82	28
317	94	34	92	33	90	32	88	31	86	30	84	29
326	96	36	94	34	92	33	90	32	88	31	86	30
335	98	37	96	36	94	34	92	33	90	32	88	31
345	100	38	98	37	96	36	94	34	92	33	90	32
364	104	40	102	39	100	38	98	37	96	36	94	34
374	106	41	104	40	102	39	100	38	98	37	96	36
384	108	42	106	41	104	40	102	39	100	38	98	37
395	110	43	108	42	106	41	104	40	102	39	100	38
406	112	44	110	43	108	42	106	41	104	40	102	39
416	114	46	112	44	110	43	108	42	106	41	104	40
427	116	47	114	46	112	44	110	43	108	42	106	41
439	118	48	116	47	114	46	112	44	110	43	108	42
450	120	49	118	48	116	47	114	46	112	44	110	43
462	122	50	120	49	118	48	116	47	114	46	112	44
474	124	51	122	50	120	49	118	48	116	47	114	46

MULTIPLYING FACTORS

† Total capacities are net (I.D. blower heat subtracted) system capacities based on 25 foot (7.62m) line set.
If additional tubing length and/or indoor unit is located above outdoor unit, a slight variation in capacity may occur.

†† At TVA rating indoor condition (75° F db, 63° F wb), all other indoor air temperatures are at 80° F db
If additional tubing length and/or indoor unit is located above outdoor unit, a slight variation in capacity may occur.

* System amps are total of indoor and outdoor amps.

‡ Chart data is for 80° F indoor dry bulb. For indoor db temperatures other than 80° F, measure Indoor db and Indoor CFM, and plug these into the

formula below. Measure outdoor db and indoor wet bulb, apply these to the chart above, find MBh and S/T, and plug these into the formula below.

(Note: if indoor db is the only thing changing, total capacity, MBh, stays the same.)

$$\text{Sensible Capacity at Indoor db LOWER than } 80^{\circ}\text{ F} = \left(\frac{(80 - \text{Indoor db}) \times 835 \times \text{Indoor CFM}}{1000} \right) - \text{MBh} \times \text{S/T}$$

$$\text{Sensible Capacity at Indoor db HIGHER than } 80^{\circ}\text{ F} = \left(\frac{(\text{Indoor db} - 80) \times 835 \times \text{Indoor CFM}}{1000} \right) + \text{MBh} \times \text{S/T}$$

COOLING Multiplying Factors for other Indoor Combinations									
COOLING INDOOR MODEL	HIGH SPEED CAPACITY	POWER	LOW SPEED CAPACITY	FURNACE MODEL	COOLING INDOOR MODEL	HIGH SPEED CAPACITY	POWER	LOW SPEED CAPACITY	FURNACE MODEL
(H,C,T)CH6 24									
*FVM4X24***	1.00	1.00	1.00		EHD4X36A**	1.01	1.05	1.02	*9MA*1002122A**
EA*4X24*14A*	0.99	1.02	0.99	*8MV*0701412**	EHD4X36A**	1.00	1.02	1.03	*9MA*1202422A**
EA*4X24*14A*	0.99	1.03	0.99	*8MX*0451408**	EHD4X36A**	0.98	1.07	0.99	*9MV*0401410A**
EA*4X24*14A*	0.97	1.08	0.98	*9MV*0401410A**	EHD4X36A**	0.99	1.03	1.01	*9MV*0601714A**
EA*4X24*14A*	0.99	1.12	0.98	*9MX*0401410A**	EHD4X36A**	1.00	1.02	1.02	*9MV*0801716A**
EA*4X24*14A*	0.97	1.10	0.98		EHD4X36A**	1.01	1.01	1.04	*9MV*0802120A**
EA*4X24*17A*	1.00	1.00	0.99	*8MV*0901716**	EHD4X36A**	1.02	1.02	1.05	*9MV*1002120A**
EA*4X24*17A*	0.99	1.03	0.99	*9MA*0601714A**	EHD4X36A**	1.01	1.01	1.04	*9MV*1202422A**
EA*4X24*17A*	0.99	1.03	0.99	*9MA*0801714A**	EHD4X36A**	1.00	1.11	0.97	*9MX*0401410A**
EA*4X24*17A*	0.98	1.09	0.98	*9MV*0401410A**	EHD4X36A**	1.04	1.08	1.04	*9MX*0601714A**
EA*4X24*17A*	0.98	1.02	1.00	*9MV*0601714A**	EHD4X36A**	1.00	1.00	0.99	MV08B15**B*
EA*4X24*17A*	0.99	1.03	1.01	*9MV*0801716A**	EHD4X36A**	1.00	1.00	0.99	MV12F19**B*
EA*4X24*17A*	0.99	1.09	0.97	*9MX*0401410A**	EHD4X36A**	1.00	1.04	0.95	OLV098A12A
EA*4X24*17A*	1.03	1.07	1.04	*9MX*0601714A**	EHD4X36A**	1.00	1.04	0.99	OMV098J12A
EA*4X24*17A*	1.00	1.00	0.99	MV08B15**B*	EHD4X36A**	1.00	1.02	1.00	OMV112K14A
EA*4X24*17A*	1.00	1.04	0.95	OLV098A12A	EHD4X36A**	0.97	1.10	0.98	
EA*4X24*17A*	1.00	1.04	0.98	OMV098J12A	EN(A,D)4X24*14**	1.00	1.02	0.99	*8MV*0701412**
EA*4X24*17A*	0.99	1.02	1.00	OMV112K14A	EN(A,D)4X24*14**	0.99	1.03	0.99	*8MX*0451408**
EA*4X24*17A*	0.97	1.10	0.98		EN(A,D)4X24*14**	0.97	1.08	0.98	*9MV*0401410A**
EA*4X30*14A*	0.99	1.02	0.99	*8MV*0701412**	EN(A,D)4X24*14**	0.99	1.12	0.98	*9MX*0401410A**
EA*4X30*14A*	1.00	1.04	0.99	*8MX*0451408**	EN(A,D)4X24*14**	0.97	1.10	0.97	
EA*4X30*14A*	0.97	1.08	0.98	*9MV*0401410A**	EN(A,D)4X24*17**	1.00	1.02	0.99	*8MV*0901716**

COOLING Multiplying Factors for other Indoor Combinations (continued)

COOLING INDOOR MODEL	HIGH SPEED CAPACITY	POWER	LOW SPEED CAPACITY	POWER	FURNACE MODEL	COOLING INDOOR MODEL	HIGH SPEED CAPACITY	POWER	LOW SPEED CAPACITY	POWER	FURNACE MODEL
EA*4X30*14A*	0.99	1.12	0.97	1.04	*9MX*0401410A**	EN(A,D)4X24*17**	0.99	1.03	0.99	1.03	*9MA*0601714A**
EA*4X30*14A*	0.97	1.10	0.98	1.18		EN(A,D)4X24*17**	0.99	1.03	0.99	1.02	*9MA*0801714A**
EA*4X30*17A*	1.00	1.00	0.99	0.98	*8MV*0901716**	EN(A,D)4X24*17**	0.97	1.08	0.98	1.06	*9MV*0401410A**
EA*4X30*17A*	0.99	1.03	0.99	1.02	*9MA*0601714A**	EN(A,D)4X24*17**	0.97	1.01	0.99	1.03	*9MV*0601714A**
EA*4X30*17A*	0.99	1.03	0.99	1.01	*9MA*0801714A**	EN(A,D)4X24*17**	0.98	1.02	1.00	1.03	*9MV*0801716A**
EA*4X30*17A*	0.98	1.07	0.98	1.06	*9MV*0401410A**	EN(A,D)4X24*17**	0.99	1.12	0.98	1.05	*9MX*0401410A**
EA*4X30*17A*	0.99	1.03	1.01	1.04	*9MV*0601714A**	EN(A,D)4X24*17**	1.03	1.07	1.03	1.06	*9MX*0601714A**
EA*4X30*17A*	1.00	1.02	1.02	1.03	*9MV*0801716A**	EN(A,D)4X24*17**	1.00	1.02	0.99	0.99	MV08B15**B*
EA*4X30*17A*	1.00	1.13	0.97	1.03	*9MX*0401410A**	EN(A,D)4X24*17**	1.00	1.04	0.95	1.00	OLV098A12A
EA*4X30*17A*	1.00	1.00	0.99	0.98	MV08B15**B*	EN(A,D)4X24*17**	1.00	1.04	0.99	1.01	OMV098J12A
EA*4X30*17A*	1.00	1.04	0.95	0.99	OLV098A12A	EN(A,D)4X24*17**	0.99	1.03	1.00	1.01	OMV112K14A
EA*4X30*17A*	1.00	1.04	0.98	0.99	OMV098J12A	EN(A,D)4X24*17**	0.97	1.10	0.97	1.17	
EA*4X30*17A*	0.99	1.02	1.00	1.00	OMV112K14A	EN(A,D)4X30*14**	0.99	1.02	0.99	0.99	*8MV*0701412**
EA*4X30*17A*	0.97	1.10	0.98	1.18		EN(A,D)4X30*14**	0.99	1.03	0.99	1.02	*8MX*0451408**
EA*4X36*14A*	1.00	1.02	0.99	0.99	*8MV*0701412**	EN(A,D)4X30*14**	0.97	1.08	0.98	1.06	*9MV*0401410A**
EA*4X36*14A*	1.00	1.04	1.00	1.03	*8MX*0451408**	EN(A,D)4X30*14**	0.99	1.12	0.97	1.04	*9MX*0401410A**
EA*4X36*14A*	0.98	1.07	0.98	1.06	*9MV*0401410A**	EN(A,D)4X30*14**	0.97	1.10	0.98	1.18	
EA*4X36*14A*	1.00	1.11	0.97	1.03	*9MX*0401410A**	EN(A,D)4X30*17**	1.00	1.00	0.99	0.98	*8MV*0901716**
EA*4X36*14A*	0.97	1.10	0.98	1.18		EN(A,D)4X30*17**	0.99	1.03	0.99	1.02	*9MA*0601714A**
EA*4X36*17A*	1.00	1.00	0.99	0.98	*8MV*0901716**	EN(A,D)4X30*17**	0.99	1.03	0.99	1.01	*9MA*0801714A**
EA*4X36*17A*	0.99	1.03	0.99	1.02	*9MA*0601714A**	EN(A,D)4X30*17**	0.98	1.07	0.98	1.06	*9MV*0401410A**
EA*4X36*17A*	1.00	1.02	0.99	1.01	*9MA*0801714A**	EN(A,D)4X30*17**	0.99	1.03	1.01	1.04	*9MV*0601714A**
EA*4X36*17A*	0.98	1.07	0.99	1.06	*9MV*0401410A**	EN(A,D)4X30*17**	0.99	1.02	1.02	1.03	*9MV*0801716A**

COOLING Multiplying Factors for other Indoor Combinations (continued)

COOLING INDOOR MODEL	HIGH SPEED CAPACITY	POWER	LOW SPEED CAPACITY	POWER	FURNACE MODEL	COOLING INDOOR MODEL	HIGH SPEED CAPACITY	POWER	LOW SPEED CAPACITY	POWER	FURNACE MODEL
EA*4X36*17A*	0.99	1.03	1.01	1.03	*9MV*0601714A**	EN(A,D)4X30*17**	1.00	1.13	0.97	1.03	*9MX*0401410A**
EA*4X36*17A*	1.00	1.02	1.02	1.03	*9MV*0801716A**	EN(A,D)4X30*17**	1.03	1.07	1.04	1.06	*9MX*0601714A**
EA*4X36*17A*	1.00	1.11	0.98	1.04	*9MX*0401410A**	EN(A,D)4X30*17**	1.00	1.00	0.99	0.98	MV08B15**B*
EA*4X36*17A*	1.00	1.00	0.99	0.98	MV08B15**B*	EN(A,D)4X30*17**	1.00	1.04	0.95	0.99	OLV098A12A
EA*4X36*17A*	1.00	1.04	0.95	1.04	OLV098A12A	EN(A,D)4X30*17**	1.00	1.04	0.98	0.99	OMV098J12A
EA*4X36*17A*	1.00	1.04	0.98	1.04	OMV098J12A	EN(A,D)4X30*17**	0.99	1.02	1.00	1.00	OMV112K14A
EA*4X36*17A*	0.99	0.99	1.00	0.99	OMV112K14A	EN(A,D)4X30*17**	0.97	1.10	0.98	1.18	
EA*4X36*17A*	0.97	1.10	0.98	1.18		EN(A,D)4X36*21**	1.00	1.00	1.04	1.03	*8MV*1102120**
EA*4X36*21A*	1.00	1.00	1.04	1.02	*8MV*1102120**	EN(A,D)4X36*21**	0.99	1.03	0.99	1.02	*9MA*0601714A**
EA*4X36*21A*	0.99	1.03	0.99	1.03	*9MA*0601714A**	EN(A,D)4X36*21**	1.01	1.05	0.98	1.02	*9MA*0602120A**
EA*4X36*21A*	1.01	1.05	0.98	1.02	*9MA*0602120A**	EN(A,D)4X36*21**	0.99	1.03	0.99	1.01	*9MA*0801714A**
EA*4X36*21A*	1.00	1.02	0.99	1.00	*9MA*0801714A**	EN(A,D)4X36*21**	1.01	1.05	1.01	1.03	*9MA*0802120A**
EA*4X36*21A*	1.01	1.05	1.02	1.03	*9MA*0802120A**	EN(A,D)4X36*21**	1.01	1.05	1.01	1.03	*9MA*1002122A**
EA*4X36*21A*	1.01	1.05	1.02	1.03	*9MA*1002122A**	EN(A,D)4X36*21**	0.99	1.03	1.01	1.03	*9MV*0601714A**
EA*4X36*21A*	1.00	1.02	1.02	1.03	*9MV*0601714A**	EN(A,D)4X36*21**	0.99	1.02	1.02	1.03	*9MV*0801716A**
EA*4X36*21A*	1.01	1.01	1.03	1.03	*9MV*0801716A**	EN(A,D)4X36*21**	1.00	1.00	1.03	1.04	*9MV*0802120A**
EA*4X36*21A*	1.02	1.02	1.06	1.05	*9MV*0802120A**	EN(A,D)4X36*21**	1.01	1.01	1.04	1.04	*9MV*1002120A**
EA*4X36*21A*	1.03	1.03	1.07	1.06	*9MV*1002120A**	EN(A,D)4X36*21**	1.03	1.07	1.04	1.06	*9MX*0601714A**
EA*4X36*21A*	1.00	1.00	0.99	0.99	MV12F19**B*	EN(A,D)4X36*21**	1.00	1.00	0.99	1.00	MV12F19**B*
EA*4X36*21A*	0.97	1.10	0.98	1.18		EN(A,D)4X36*21**	0.97	1.10	0.98	1.18	
ED*4X24F**	1.00	1.00	0.99	0.99	MV08B15**B*	EN(A,D,W)4X36*17**	1.00	1.00	0.99	0.98	*8MV*0901716**
ED*4X24F**	1.00	1.00	0.99	1.00	MV12F19**B*	EN(A,D,W)4X36*17**	0.99	1.03	0.99	1.02	*9MA*0601714A**
ED*4X30B**	1.00	1.00	0.99	0.99	MV08B15**B*	EN(A,D,W)4X36*17**	0.99	1.03	0.99	1.01	*9MA*0801714A**

COOLING Multiplying Factors for other Indoor Combinations (continued)

COOLING INDOOR MODEL	HIGH SPEED CAPACITY	POWER	LOW SPEED CAPACITY	POWER	FURNACE MODEL	COOLING INDOOR MODEL	HIGH SPEED CAPACITY	POWER	LOW SPEED CAPACITY	POWER	FURNACE MODEL
ED*4X30F**	1.00	1.00	0.99	0.98	MV08B15**B*	EN(A,D,W)4X36*17**	0.98	1.07	0.98	1.06	*9MV*0401410A**
ED*4X30F**	1.00	1.00	0.99	0.99	MV12F19**B*	EN(A,D,W)4X36*17**	0.99	1.03	1.01	1.04	*9MV*0601714A**
ED*4X36B**	1.00	1.00	0.99	0.99	MV08B15**B*	EN(A,D,W)4X36*17**	0.99	1.02	1.02	1.03	*9MV*0801716A**
ED*4X36F**	0.99	1.03	0.99	1.00	*9MA*0601714A**	EN(A,D,W)4X36*17**	1.00	1.13	0.97	1.03	*9MX*0401410A**
ED*4X36F**	1.00	1.02	0.99	1.03	*9MA*0801714A**	EN(A,D,W)4X36*17**	1.03	1.07	1.04	1.06	*9MX*0601714A**
ED*4X36F**	0.99	1.03	1.01	1.00	*9MV*0601714A**	EN(A,D,W)4X36*17**	1.00	1.00	0.99	0.98	MV08B15**B*
ED*4X36F**	1.00	1.02	1.02	1.03	*9MV*0801716A**	EN(A,D,W)4X36*17**	1.00	1.04	0.95	0.99	OLV098A12A
ED*4X36F**	1.00	1.00	0.99	1.00	MV08B15**B*	EN(A,D,W)4X36*17**	1.00	1.04	0.98	0.99	OMV098J12A
ED*4X36F**	1.00	1.00	0.99	0.99	MV12F19**B*	EN(A,D,W)4X36*17**	0.99	1.02	1.00	1.00	OMV112K14A
ED*4X36F**	0.97	1.10	0.98	0.97		EN(A,D,W)4X36*17**	0.97	1.10	0.98	1.18	
ED*4X36J**	1.00	1.00	0.99	1.00	MV12F19**B*	ENH4X24*17**	1.00	1.02	0.99	0.99	*8MV*0701412**
EHD4X24A**	1.00	1.02	0.99	1.00	*8MV*0701412**	ENH4X24*17**	1.00	1.02	0.99	0.99	*8MV*0901716**
EHD4X24A**	1.00	1.02	0.99	1.00	*8MV*0901716**	ENH4X24*17**	1.00	1.02	1.04	1.06	*8MV*1102120**
EHD4X24A**	1.00	1.02	1.04	1.00	*8MV*1102120**	ENH4X24*17**	1.00	1.02	1.04	1.04	*8MV*1352422**
EHD4X24A**	1.00	1.02	1.03	1.05	*8MV*1352422**	ENH4X24*17**	0.99	1.03	0.99	1.03	*8MX*0451408**
EHD4X24A**	0.99	1.03	0.99	1.03	*8MX*0451408**	ENH4X24*17**	0.99	1.03	0.99	1.03	*9MA*0601714A**
EHD4X24A**	0.99	1.03	0.99	1.04	*9MA*0601714A**	ENH4X24*17**	0.99	1.03	0.99	1.02	*9MA*0801714A**
EHD4X24A**	1.01	1.07	0.98	1.04	*9MA*0602120A**	ENH4X24*17**	0.99	1.03	1.03	1.06	*9MA*1202422A**
EHD4X24A**	0.99	1.03	0.99	1.03	*9MA*0801714A**	ENH4X24*17**	0.97	1.08	0.98	1.06	*9MV*0401410A**
EHD4X24A**	1.01	1.05	1.02	1.07	*9MA*0802120A**	ENH4X24*17**	0.97	1.01	0.99	1.03	*9MV*0601714A**
EHD4X24A**	1.01	1.05	1.02	1.06	*9MA*1002122A**	ENH4X24*17**	0.98	1.02	1.00	1.03	*9MV*0801716A**
EHD4X24A**	0.99	1.03	1.03	1.07	*9MA*1202422A**	ENH4X24*17**	0.98	1.02	1.01	1.03	*9MV*1202422A**
EHD4X24A**	0.97	1.08	0.97	1.06	*9MV*0401410A**	ENH4X24*17**	0.99	1.12	0.98	1.05	*9MX*0401410A**

COOLING Multiplying Factors for other Indoor Combinations (continued)

COOLING INDOOR MODEL	HIGH SPEED CAPACITY	POWER	LOW SPEED CAPACITY	POWER	FURNACE MODEL	COOLING INDOOR MODEL	HIGH SPEED CAPACITY	POWER	LOW SPEED CAPACITY	POWER	FURNACE MODEL
EHD4X24A**	0.97	1.04	0.97	1.02	*9MV*0601714A**	ENH4X24*17**	1.03	1.07	1.03	1.06	*9MX*0601714A**
EHD4X24A**	0.97	1.01	0.98	1.02	*9MV*0801716A**	ENH4X24*17**	1.00	1.02	0.99	0.99	MV08B15**B*
EHD4X24A**	0.97	1.01	1.00	1.03	*9MV*0802120A**	ENH4X24*17**	1.00	1.04	0.95	1.00	OLV098A12A
EHD4X24A**	0.97	1.01	1.00	1.03	*9MV*1002120A**	ENH4X24*17**	1.00	1.04	0.99	1.01	OMV098J12A
EHD4X24A**	0.97	1.01	1.00	1.03	*9MV*1202422A**	ENH4X24*17**	0.99	1.03	1.00	1.01	OMV112K14A
EHD4X24A**	0.99	1.12	0.97	1.05	*9MX*0401410A**	ENH4X24*17**	0.97	1.10	0.97	1.17	
EHD4X24A**	1.03	1.09	1.03	1.07	*9MX*0601714A**	ENH4X30*17**	1.00	1.02	0.99	0.99	*8MV*0701412**
EHD4X24A**	1.00	1.02	0.99	0.99	MV08B15**B*	ENH4X30*17**	1.00	1.00	0.99	0.98	*8MV*0901716**
EHD4X24A**	1.00	1.02	0.99	1.01	MV12F19**B*	ENH4X30*17**	1.00	1.00	1.04	1.04	*8MV*1102120**
EHD4X24A**	1.00	1.07	0.95	1.00	OLV098A12A	ENH4X30*17**	1.00	1.00	1.03	1.02	*8MV*1352422**
EHD4X24A**	1.00	1.07	0.98	1.01	OMV098J12A	ENH4X30*17**	1.00	1.04	1.00	1.02	*8MX*0451408**
EHD4X24A**	0.99	1.03	1.00	1.03	OMV112K14A	ENH4X30*17**	0.99	1.03	0.99	1.02	*9MA*0601714A**
EHD4X24A**	0.97	1.10	0.97	1.18		ENH4X30*17**	0.99	1.03	0.99	1.01	*9MA*0801714A**
EHD4X30A**	1.00	1.02	0.99	0.99	*8MV*0701412**	ENH4X30*17**	0.99	1.02	1.03	1.05	*9MA*1202422A**
EHD4X30A**	1.00	1.00	1.00	1.00	*8MV*0901716**	ENH4X30*17**	0.98	1.07	0.98	1.06	*9MV*0401410A**
EHD4X30A**	1.00	1.00	1.05	1.05	*8MV*1102120**	ENH4X30*17**	0.99	1.03	1.01	1.04	*9MV*0601714A**
EHD4X30A**	1.00	1.00	1.04	1.03	*8MV*1352422**	ENH4X30*17**	0.99	1.02	1.02	1.03	*9MV*0801716A**
EHD4X30A**	1.00	1.04	1.00	1.03	*8MX*0451408**	ENH4X30*17**	1.00	1.02	1.03	1.04	*9MV*1202422A**
EHD4X30A**	0.99	1.03	0.99	1.02	*9MA*0601714A**	ENH4X30*17**	1.00	1.13	0.97	1.03	*9MX*0401410A**
EHD4X30A**	1.01	1.07	0.97	1.02	*9MA*0602120A**	ENH4X30*17**	1.03	1.07	1.04	1.06	*9MX*0601714A**
EHD4X30A**	1.00	1.04	0.99	1.01	*9MA*0801714A**	ENH4X30*17**	1.00	1.00	0.99	0.98	MV08B15**B*
EHD4X30A**	1.01	1.05	1.02	1.05	*9MA*0802120A**	ENH4X30*17**	1.00	1.04	0.95	0.99	OLV098A12A
EHD4X30A**	1.01	1.05	1.02	1.04	*9MA*1002122A**	ENH4X30*17**	1.00	1.04	0.98	0.99	OMV098J12A

COOLING Multiplying Factors for other Indoor Combinations (continued)

COOLING INDOOR MODEL	HIGH SPEED CAPACITY	POWER	LOW SPEED CAPACITY	POWER	FURNACE MODEL	COOLING INDOOR MODEL	HIGH SPEED CAPACITY	POWER	LOW SPEED CAPACITY	POWER	FURNACE MODEL
EHD4X30A**	1.00	1.02	1.04	1.06	*9MA*1202422A**	ENH4X30*17**	0.99	1.02	1.00	1.00	OMV112K14A
EHD4X30A**	0.98	1.07	0.98	1.06	*9MV*0401410A**	ENH4X30*17**	0.97	1.10	0.98	1.18	
EHD4X30A**	0.98	1.02	1.00	1.03	*9MV*0601714A**	ENH4X36*17**	1.00	1.02	0.99	0.99	*8MV*0701412**
EHD4X30A**	0.99	1.02	1.01	1.03	*9MV*0801716A**	ENH4X36*17**	1.00	1.00	0.99	0.98	*8MV*0901716**
EHD4X30A**	0.99	1.02	1.03	1.04	*9MV*0802120A**	ENH4X36*17**	1.00	1.00	1.04	1.04	*8MV*1102120**
EHD4X30A**	1.00	1.02	1.04	1.05	*9MV*1002120A**	ENH4X36*17**	1.00	1.00	1.03	1.02	*8MV*1352422**
EHD4X30A**	1.00	1.02	1.03	1.04	*9MV*1202422A**	ENH4X36*17**	1.00	1.04	1.00	1.02	*8MX*0451408**
EHD4X30A**	1.00	1.13	0.97	1.04	*9MX*0401410A**	ENH4X36*17**	0.99	1.03	0.99	1.02	*9MA*0601714A**
EHD4X30A**	1.03	1.07	1.04	1.06	*9MX*0601714A**	ENH4X36*17**	0.99	1.03	0.99	1.01	*9MA*0801714A**
EHD4X30A**	1.00	1.00	1.00	0.99	MV08B15**B*	ENH4X36*17**	0.99	1.02	1.03	1.05	*9MA*1202422A**
EHD4X30A**	1.00	1.00	0.99	1.00	MV12F19**B*	ENH4X36*17**	0.98	1.07	0.98	1.06	*9MV*0401410A**
EHD4X30A**	1.00	1.04	0.95	0.99	OLV098A12A	ENH4X36*17**	0.99	1.03	1.01	1.04	*9MV*0601714A**
EHD4X30A**	1.00	1.04	0.99	1.01	OMV098J12A	ENH4X36*17**	0.99	1.02	1.02	1.03	*9MV*0801716A**
EHD4X30A**	1.00	1.02	1.00	1.00	OMV112K14A	ENH4X36*17**	1.00	1.02	1.03	1.04	*9MV*1202422A**
EHD4X30A**	0.97	1.10	0.97	1.17		ENH4X36*17**	1.00	1.13	0.97	1.03	*9MX*0401410A**
EHD4X36A**	1.00	1.00	0.99	0.99	*8MV*0701412**	ENH4X36*17**	1.03	1.07	1.04	1.06	*9MX*0601714A**
EHD4X36A**	1.00	1.00	0.99	0.98	*8MV*0901716**	ENH4X36*17**	1.00	1.00	0.99	0.98	MV08B15**B*
EHD4X36A**	1.00	1.00	1.04	1.03	*8MV*1102120**	ENH4X36*17**	1.00	1.04	0.95	0.99	OLV098A12A
EHD4X36A**	1.00	1.00	1.04	1.02	*8MV*1352422**	ENH4X36*17**	1.00	1.04	0.98	0.99	OMV098J12A
EHD4X36A**	1.01	1.05	1.00	1.02	*8MX*0451408**	ENH4X36*17**	0.99	1.02	1.00	1.00	OMV112K14A
EHD4X36A**	1.00	1.04	0.99	1.02	*9MA*0601714A**	ENH4X36*17**	0.97	1.10	0.98	1.18	
EHD4X36A**	1.01	1.05	0.98	1.02	*9MA*0602120A**	FCM4X24****	1.00	1.00	1.00	1.00	
EHD4X36A**	1.00	1.02	0.99	1.01	*9MA*0801714A**	FCM4X36****	1.01	1.01	1.00	0.99	

COOLING Multiplying Factors for other Indoor Combinations (continued)										
COOLING INDOOR MODEL	HIGH SPEED CAPACITY	POWER	LOW SPEED CAPACITY	POWER	FURNACE MODEL	COOLING INDOOR MODEL	HIGH SPEED CAPACITY	POWER	LOW SPEED CAPACITY	FURNACE MODEL
EHD4X36A**	1.01	1.05	1.02	1.04	*9MA*0802120A**	FVM4X36***	1.00	1.00	1.00	0.99
(H,C,T)CH6 36										
*FVM4X60***	1.00	1.00	1.00	1.00		EHD4X48A**	0.98	1.03	0.99	*8MV*0701412**
EA*4X36*14A*	0.95	1.04	0.96	1.06	*8MV*0701412**	EHD4X48A**	0.98	1.02	0.99	*8MV*0901716**
EA*4X36*14A*	0.93	1.07	0.93	1.05	*8MX*0451408**	EHD4X48A**	0.98	1.02	0.99	*8MV*1102120**
EA*4X36*14A*	0.93	1.08	0.94	1.20		EHD4X48A**	0.98	1.00	0.99	*8MV*1352422**
EA*4X36*17A*	0.95	1.04	0.96	1.05	*8MV*0701412**	EHD4X48A**	0.98	1.08	0.97	*8MX*0451408**
EA*4X36*17A*	0.95	1.00	0.96	1.03	*8MV*0901716**	EHD4X48A**	0.98	1.06	1.01	*8MX*0701716**
EA*4X36*17A*	0.94	1.08	0.94	1.05	*8MX*0451408**	EHD4X48A**	0.99	1.03	1.01	*8MX*0902116**
EA*4X36*17A*	0.95	1.04	0.97	1.10	*8MX*0701716**	EHD4X48A**	0.97	1.05	0.97	*9MA*0601714A**
EA*4X36*17A*	0.93	1.03	0.95	1.07	*9MA*0601714A**	EHD4X48A**	0.98	1.02	0.97	*9MA*0602120A**
EA*4X36*17A*	0.93	1.03	0.95	1.05	*9MA*0801714A**	EHD4X48A**	0.97	1.02	0.97	*9MA*0801714A**
EA*4X36*17A*	0.94	1.06	0.93	1.05	*9MV*0601714A**	EHD4X48A**	0.98	1.00	0.98	*9MA*0802120A**
EA*4X36*17A*	0.95	1.04	0.9	0.99	*9MV*0801716A**	EHD4X48A**	0.98	1.00	0.98	*9MA*1002122A**
EA*4X36*17A*	0.94	1.03	0.93	1.04	*9MX*0601714A**	EHD4X48A**	0.97	1.03	0.98	*9MA*1202422A**
EA*4X36*17A*	0.95	1.04	0.97	1.11	*9MX*0801716A**	EHD4X48A**	0.97	1.07	0.93	*9MV*0601714A**
EA*4X36*17A*	0.95	1.03	0.96	1.03	MV08B15**B*	EHD4X48A**	0.98	1.03	0.93	*9MV*0801716A**
EA*4X36*17A*	0.93	1.05	0.89	1.01	OLV098A12A	EHD4X48A**	0.96	1.00	0.99	*9MV*0802120A**
EA*4X36*17A*	0.94	1.06	0.93	1.02	OMV098J12A	EHD4X48A**	0.96	1.01	0.98	*9MV*1002120A**
EA*4X36*17A*	0.95	1.04	0.96	1.05	OMV112K14A	EHD4X48A**	0.97	1.01	0.96	*9MV*1202422A**
EA*4X36*17A*	0.93	1.08	0.94	1.20		EHD4X48A**	0.98	1.06	0.96	*9MX*0601714A**
EA*4X36*21A*	0.95	1.00	0.96	1.02	*8MV*0901716**	EHD4X48A**	0.98	1.03	1.01	*9MX*0801716A**
EA*4X36*21A*	0.95	1.00	0.96	1.03	*8MV*1102120**	EHD4X48A**	0.98	1.02	0.99	MV08B15**B*

COOLING Multiplying Factors for other Indoor Combinations (continued)

COOLING INDOOR MODEL	HIGH SPEED CAPACITY	POWER	LOW SPEED CAPACITY	POWER	FURNACE MODEL	COOLING INDOOR MODEL	HIGH SPEED CAPACITY	POWER	LOW SPEED CAPACITY	POWER	LOW SPEED CAPACITY	POWER	FURNACE MODEL
EA*4X36*21A*	0.95	1.04	0.97	1.10	*8MX*0701716**	EHD4X48A**	0.99	1.00	0.99	1.01	0.99	1.01	MV12F19**B*
EA*4X36*21A*	0.96	1.01	0.98	1.08	*8MX*0902116**	EHD4X48A**	0.99	1.00	0.99	1.02	0.99	1.02	MV16J22**B*
EA*4X36*21A*	0.93	1.03	0.95	1.06	*9MA*0601714A**	EHD4X48A**	0.99	1.00	0.99	1.03	0.99	1.03	MV20L24**B*
EA*4X36*21A*	0.94	1.03	0.95	1.05	*9MA*0602120A**	EHD4X48A**	0.97	1.06	0.92	1.01	0.92	1.01	OLV098A12A
EA*4X36*21A*	0.93	1.03	0.95	1.04	*9MA*0801714A**	EHD4X48A**	0.98	1.04	1.00	1.07	1.00	1.07	OLV112A16A
EA*4X36*21A*	0.94	1.02	0.95	1.03	*9MA*0802120A**	EHD4X48A**	1.01	1.05	1.03	1.07	1.03	1.07	OLV154F20A
EA*4X36*21A*	0.94	0.99	0.95	1.03	*9MA*1002122A**	EHD4X48A**	0.97	1.07	0.95	1.01	0.95	1.01	OMV098J12A
EA*4X36*21A*	0.95	1.07	0.9	1.00	*9MV*0601714A**	EHD4X48A**	0.98	1.03	0.99	1.04	0.99	1.04	OMV112K14A
EA*4X36*21A*	0.95	1.04	0.91	0.99	*9MV*0801716A**	EHD4X48A**	0.97	1.09	0.97	1.2	0.97	1.2	
EA*4X36*21A*	0.93	1.01	0.96	1.04	*9MV*0802120A**	EN(A,D)4X36*21**	0.95	1.03	0.96	1.04	0.96	1.04	*8MV*0901716**
EA*4X36*21A*	0.93	1.01	0.95	1.04	*9MV*1002120A**	EN(A,D)4X36*21**	0.95	1.03	0.96	1.04	0.96	1.04	*8MV*1102120**
EA*4X36*21A*	0.95	1.04	0.93	1.03	*9MX*0601714A**	EN(A,D)4X36*21**	0.94	1.06	0.97	1.11	0.97	1.11	*8MX*0701716**
EA*4X36*21A*	0.95	1.04	0.98	1.11	*9MX*0801716A**	EN(A,D)4X36*21**	0.95	1.03	0.97	1.08	0.97	1.08	*8MX*0902116**
EA*4X36*21A*	0.96	0.99	0.97	1.01	MV12F19**B*	EN(A,D)4X36*21**	0.93	1.05	0.94	1.07	0.94	1.07	*9MA*0601714A**
EA*4X36*21A*	0.94	1.06	0.89	1.01	OLV098A12A	EN(A,D)4X36*21**	0.93	1.03	0.94	1.05	0.94	1.05	*9MA*0602120A**
EA*4X36*21A*	0.95	1.05	0.97	1.06	OLV112A16A	EN(A,D)4X36*21**	0.93	1.03	0.94	1.05	0.94	1.05	*9MA*0801714A**
EA*4X36*21A*	0.94	1.06	0.93	1.02	OMV098J12A	EN(A,D)4X36*21**	0.93	1.03	0.95	1.04	0.95	1.04	*9MA*0802120A**
EA*4X36*21A*	0.95	1.04	0.96	1.04	OMV112K14A	EN(A,D)4X36*21**	0.94	1.02	0.95	1.04	0.95	1.04	*9MA*1002122A**
EA*4X36*21A*	0.93	1.08	0.94	1.20		EN(A,D)4X36*21**	0.93	1.05	0.89	1.01	0.89	1.01	*9MV*0601714A**
EA*4X42*21A*	0.96	1.02	0.97	1.03	*8MV*0901716**	EN(A,D)4X36*21**	0.94	1.03	0.9	1.00	0.9	1.00	*9MV*0801716A**
EA*4X42*21A*	0.96	1.02	0.97	1.03	*8MV*1102120**	EN(A,D)4X36*21**	0.92	1.02	0.95	1.04	0.95	1.04	*9MV*0802120A**
EA*4X42*21A*	0.96	1.05	0.98	1.10	*8MX*0701716**	EN(A,D)4X36*21**	0.92	1.02	0.94	1.04	0.94	1.04	*9MV*1002120A**
EA*4X42*21A*	0.96	1.02	0.99	1.08	*8MX*0902116**	EN(A,D)4X36*21**	0.94	1.06	0.93	1.04	0.93	1.04	*9MX*0601714A**

COOLING Multiplying Factors for other Indoor Combinations (continued)

COOLING INDOOR MODEL	HIGH SPEED CAPACITY	POWER	LOW SPEED CAPACITY	POWER	FURNACE MODEL	COOLING INDOOR MODEL	HIGH SPEED CAPACITY	POWER	LOW SPEED CAPACITY	POWER	FURNACE MODEL
EA*4X42*21A*	0.94	1.03	0.95	1.06	*9MA*0601714A**	EN(A,D)4X36*21**	0.94	1.03	0.97	1.12	*9MX*0801716A**
EA*4X42*21A*	0.95	1.04	0.95	1.05	*9MA*0602120A**	EN(A,D)4X36*21**	0.95	1.00	0.96	1.02	MV12F19**B*
EA*4X42*21A*	0.95	1.04	0.95	1.04	*9MA*0801714A**	EN(A,D)4X36*21**	0.93	1.05	0.89	1.01	OLV098A12A
EA*4X42*21A*	0.95	1.00	0.95	1.03	*9MA*0802120A**	EN(A,D)4X36*21**	0.95	1.07	0.96	1.08	OLV112A16A
EA*4X42*21A*	0.95	1.00	0.95	1.03	*9MA*1002122A**	EN(A,D)4X36*21**	0.93	1.05	0.92	1.02	OMV098J12A
EA*4X42*21A*	0.95	1.05	0.91	1.00	*9MV*0601714A**	EN(A,D)4X36*21**	0.94	1.03	0.95	1.05	OMV112K14A
EA*4X42*21A*	0.96	1.05	0.91	1.00	*9MV*0801716A**	EN(A,D)4X36*21**	0.93	1.08	0.94	1.20	
EA*4X42*21A*	0.94	0.99	0.97	1.04	*9MV*0802120A**	EN(A,D)4X48*24**	0.98	1.02	0.99	1.02	*8MV*1102120**
EA*4X42*21A*	0.94	0.99	0.96	1.04	*9MV*1002120A**	EN(A,D)4X48*24**	0.98	0.99	0.99	1.01	*8MV*1352422**
EA*4X42*21A*	0.95	1.05	0.94	1.03	*9MX*0601714A**	EN(A,D)4X48*24**	0.98	1.02	1.01	1.07	*8MX*0902116**
EA*4X42*21A*	0.96	1.05	0.99	1.11	*9MX*0801716A**	EN(A,D)4X48*24**	0.96	1.02	0.97	1.04	*9MA*0602120A**
EA*4X42*21A*	0.96	1.00	0.97	1.01	MV12F19**B*	EN(A,D)4X48*24**	0.96	1.02	0.97	1.03	*9MA*0802120A**
EA*4X42*21A*	0.95	1.07	0.9	1.01	OLV098A12A	EN(A,D)4X48*24**	0.97	1.01	0.97	1.03	*9MA*1002122A**
EA*4X42*21A*	0.96	1.03	0.97	1.06	OLV112A16A	EN(A,D)4X48*24**	0.96	1.02	0.97	1.03	*9MA*1202422A**
EA*4X42*21A*	0.95	1.05	0.93	1.02	OMV098J12A	EN(A,D)4X48*24**	0.96	1.01	0.99	1.04	*9MV*0802120A**
EA*4X42*21A*	0.95	1.03	0.97	1.04	OMV112K14A	EN(A,D)4X48*24**	0.96	1.01	0.98	1.04	*9MV*1002120A**
EA*4X42*21A*	0.94	1.08	0.95	1.20		EN(A,D)4X48*24**	0.96	1.00	0.96	1.00	*9MV*1202422A**
EA*4X42*24A*	0.96	1.02	0.97	1.03	*8MV*1102120**	EN(A,D)4X48*24**	0.98	0.99	0.99	1.01	MV16J22**B*
EA*4X42*24A*	0.96	1.00	0.97	1.02	*8MV*1352422**	EN(A,D)4X48*24**	0.98	0.99	0.99	1.02	MV20L24**B*
EA*4X42*24A*	0.97	1.02	0.99	1.07	*8MX*0902116**	EN(A,D)4X48*24**	0.98	1.03	0.99	1.06	OLV112A16A
EA*4X42*24A*	0.95	1.02	0.95	1.04	*9MA*0602120A**	EN(A,D)4X48*24**	0.96	1.08	0.97	1.20	
EA*4X42*24A*	0.95	1.00	0.95	1.03	*9MA*0802120A**	EN(A,D,W)4X36*17**	0.95	1.04	0.96	1.06	*8MV*0701412**
EA*4X42*24A*	0.95	1.00	0.95	1.02	*9MA*1002122A**	EN(A,D,W)4X36*17**	0.95	1.03	0.96	1.04	*8MV*0901716**

COOLING Multiplying Factors for other Indoor Combinations (continued)

COOLING INDOOR MODEL	HIGH SPEED CAPACITY	POWER	LOW SPEED CAPACITY	POWER	FURNACE MODEL	COOLING INDOOR MODEL	HIGH SPEED CAPACITY	POWER	LOW SPEED CAPACITY	POWER	FURNACE MODEL
EA*4X42*24A*	0.95	1.00	0.95	1.03	*9MA*1202422A**	EN(A,D,W)4X36*17**	0.93	1.07	0.93	1.05	*8MX*0451408**
EA*4X42*24A*	0.94	0.99	0.97	1.04	*9MV*0802120A**	EN(A,D,W)4X36*17**	0.94	1.06	0.97	1.11	*8MX*0701716**
EA*4X42*24A*	0.94	0.99	0.97	1.04	*9MV*1002120A**	EN(A,D,W)4X36*17**	0.93	1.05	0.94	1.07	*9MA*0601714A**
EA*4X42*24A*	0.95	1.00	0.94	1.00	*9MV*1202422A**	EN(A,D,W)4X36*17**	0.93	1.03	0.94	1.05	*9MA*0801714A**
EA*4X42*24A*	0.96	1.00	0.97	1.02	MV16J22**B*	EN(A,D,W)4X36*17**	0.93	1.05	0.89	1.01	*9MV*0601714A**
EA*4X42*24A*	0.96	1.00	0.97	1.03	MV20L24**B*	EN(A,D,W)4X36*17**	0.94	1.03	0.90	1.00	*9MV*0801716A**
EA*4X42*24A*	0.96	1.03	0.97	1.06	OLV112A16A	EN(A,D,W)4X36*17**	0.94	1.06	0.93	1.04	*9MX*0601714A**
EA*4X42*24A*	0.94	1.08	0.95	1.20		EN(A,D,W)4X36*17**	0.94	1.03	0.97	1.12	*9MX*0801716A**
EA*4X48*17A*	0.98	1.03	0.99	1.04	*8MV*0701412**	EN(A,D,W)4X36*17**	0.95	1.03	0.96	1.04	MV08B15**B*
EA*4X48*17A*	0.98	1.02	0.99	1.03	*8MV*0901716**	EN(A,D,W)4X36*17**	0.93	1.07	0.89	1.01	OLV098A12A
EA*4X48*17A*	0.97	1.07	0.97	1.04	*8MX*0451408**	EN(A,D,W)4X36*17**	0.93	1.05	0.92	1.02	OMV098J12A
EA*4X48*17A*	0.97	1.05	1.00	1.10	*8MX*0701716**	EN(A,D,W)4X36*17**	0.94	1.03	0.95	1.05	OMV112K14A
EA*4X48*17A*	0.96	1.06	0.97	1.06	*9MA*0601714A**	EN(A,D,W)4X36*17**	0.93	1.08	0.94	1.2	
EA*4X48*17A*	0.97	1.02	0.97	1.04	*9MA*0801714A**	EN(A,D,W)4X42*21**	0.96	1.02	0.97	1.04	*8MV*0901716**
EA*4X48*17A*	0.97	1.07	0.92	1.00	*9MV*0601714A**	EN(A,D,W)4X42*21**	0.96	1.02	0.97	1.04	*8MV*1102120**
EA*4X48*17A*	0.97	1.05	0.93	0.99	*9MV*0801716A**	EN(A,D,W)4X42*21**	0.96	1.02	0.98	1.08	*8MX*0902116**
EA*4X48*17A*	0.97	1.07	0.96	1.03	*9MX*0601714A**	EN(A,D,W)4X42*21**	0.94	1.03	0.95	1.06	*9MA*0601714A**
EA*4X48*17A*	0.97	1.03	1.01	1.11	*9MX*0801716A**	EN(A,D,W)4X42*21**	0.95	1.04	0.95	1.05	*9MA*0602120A**
EA*4X48*17A*	0.98	1.02	0.99	1.02	MV08B15**B*	EN(A,D,W)4X42*21**	0.95	1.04	0.95	1.05	*9MA*0801714A**
EA*4X48*17A*	0.97	1.06	0.91	1.01	OLV098A12A	EN(A,D,W)4X42*21**	0.95	1.03	0.95	1.04	*9MA*0802120A**
EA*4X48*17A*	0.97	1.06	0.95	1.01	OMV098J12A	EN(A,D,W)4X42*21**	0.95	1.00	0.95	1.03	*9MA*1002122A**
EA*4X48*17A*	0.97	1.03	0.99	1.04	OMV112K14A	EN(A,D,W)4X42*21**	0.95	1.06	0.90	1.00	*9MV*0601714A**
EA*4X48*17A*	0.96	1.08	0.97	1.20		EN(A,D,W)4X42*21**	0.96	1.05	0.91	0.99	*9MV*0801716A**

COOLING Multiplying Factors for other Indoor Combinations (continued)

COOLING INDOOR MODEL	HIGH SPEED CAPACITY	POWER	LOW SPEED CAPACITY	POWER	FURNACE MODEL	COOLING INDOOR MODEL	HIGH SPEED CAPACITY	POWER	LOW SPEED CAPACITY	POWER	FURNACE MODEL
EA*4X48*21A*	0.97	1.01	0.99	1.03	*8MV*0901716**	EN(A,D,W)4X42*21**	0.93	1.01	0.96	1.04	*9MV*0802120A**
EA*4X48*21A*	0.97	1.01	0.99	1.03	*8MV*1102120**	EN(A,D,W)4X42*21**	0.93	1.01	0.95	1.04	*9MV*1002120A**
EA*4X48*21A*	0.97	1.05	0.99	1.10	*8MX*0701716**	EN(A,D,W)4X42*21**	0.95	1.05	0.94	1.04	*9MX*0601714A**
EA*4X48*21A*	0.98	1.02	1.00	1.08	*8MX*0902116**	EN(A,D,W)4X42*21**	0.95	1.05	0.99	1.12	*9MX*0801716A**
EA*4X48*21A*	0.96	1.05	0.97	1.06	*9MA*0601714A**	EN(A,D,W)4X42*21**	0.96	1.00	0.97	1.02	MV12F19**B*
EA*4X48*21A*	0.96	1.03	0.97	1.05	*9MA*0602120A**	EN(A,D,W)4X42*21**	0.95	1.07	0.9	1.01	OLV098A12A
EA*4X48*21A*	0.96	1.01	0.97	1.04	*9MA*0801714A**	EN(A,D,W)4X42*21**	0.96	1.05	0.97	1.07	OLV112A16A
EA*4X48*21A*	0.96	1.02	0.97	1.03	*9MA*0802120A**	EN(A,D,W)4X42*21**	0.95	1.07	0.93	1.03	OMV098J12A
EA*4X48*21A*	0.96	1.02	0.97	1.03	*9MA*1002122A**	EN(A,D,W)4X42*21**	0.95	1.05	0.97	1.05	OMV112K14A
EA*4X48*21A*	0.96	1.06	0.91	1.00	*9MV*0601714A**	EN(A,D,W)4X42*21**	0.95	1.08	0.95	1.20	
EA*4X48*21A*	0.97	1.05	0.93	1.00	*9MV*0801716A**	EN(A,D,W)4X48*21**	0.98	1.02	0.99	1.02	*8MV*0901716**
EA*4X48*21A*	0.95	1.00	0.98	1.04	*9MV*0802120A**	EN(A,D,W)4X48*21**	0.98	1.02	0.99	1.02	*8MV*1102120**
EA*4X48*21A*	0.95	1.00	0.97	1.04	*9MV*1002120A**	EN(A,D,W)4X48*21**	0.97	1.03	1.00	1.10	*8MX*0701716**
EA*4X48*21A*	0.97	1.06	0.95	1.03	*9MX*0601714A**	EN(A,D,W)4X48*21**	0.98	1.02	1.01	1.07	*8MX*0902116**
EA*4X48*21A*	0.97	1.02	1.00	1.11	*9MX*0801716A**	EN(A,D,W)4X48*21**	0.96	1.03	0.97	1.05	*9MA*0601714A**
EA*4X48*21A*	0.98	1.02	0.99	1.01	MV12F19**B*	EN(A,D,W)4X48*21**	0.96	1.02	0.97	1.04	*9MA*0602120A**
EA*4X48*21A*	0.96	1.05	0.91	1.00	OLV098A12A	EN(A,D,W)4X48*21**	0.96	1.02	0.97	1.04	*9MA*0801714A**
EA*4X48*21A*	0.97	1.05	0.99	1.06	OLV112A16A	EN(A,D,W)4X48*21**	0.96	1.02	0.97	1.03	*9MA*0802120A**
EA*4X48*21A*	0.96	1.06	0.94	1.01	OMV098J12A	EN(A,D,W)4X48*21**	0.97	1.01	0.97	1.03	*9MA*1002122A**
EA*4X48*21A*	0.97	1.02	0.98	1.04	OMV112K14A	EN(A,D,W)4X48*21**	0.96	1.03	0.94	1.03	*9MV*0601714A**
EA*4X48*21A*	0.96	1.08	0.96	1.19		EN(A,D,W)4X48*21**	0.96	1.02	0.95	1.02	*9MV*0801716A**
EA*4X48*24A*	0.97	1.01	0.99	1.03	*8MV*1102120**	EN(A,D,W)4X48*21**	0.96	1.01	0.99	1.04	*9MV*0802120A**
EA*4X48*24A*	0.98	1.02	0.99	1.02	*8MV*135242**	EN(A,D,W)4X48*21**	0.96	1.01	0.98	1.04	*9MV*1002120A**

COOLING Multiplying Factors for other Indoor Combinations (continued)

COOLING INDOOR MODEL	HIGH SPEED CAPACITY	POWER	LOW SPEED CAPACITY	POWER	FURNACE MODEL	COOLING INDOOR MODEL	HIGH SPEED CAPACITY	POWER	LOW SPEED CAPACITY	POWER	FURNACE MODEL
EA*4X48*24A*	0.98	1.02	1.00	1.07	*8MX*0902116**	EN(A,D,W)4X48*21**	0.97	1.07	0.96	1.03	*9MX*0601714A**
EA*4X48*24A*	0.96	1.01	0.97	1.04	*9MA*0602120A**	EN(A,D,W)4X48*21**	0.97	1.03	1.01	1.11	*9MX*0801716A**
EA*4X48*24A*	0.96	1.02	0.97	1.03	*9MA*0802120A**	EN(A,D,W)4X48*21**	0.98	0.99	0.99	1.00	MV12F19**B*
EA*4X48*24A*	0.96	1.02	0.97	1.02	*9MA*1002122A**	EN(A,D,W)4X48*21**	0.96	1.06	0.91	1.01	OLV098A12A
EA*4X48*24A*	0.96	1.02	0.97	1.03	*9MA*1202422A**	EN(A,D,W)4X48*21**	0.98	1.03	0.99	1.06	OLV112A16A
EA*4X48*24A*	0.95	1.00	0.98	1.04	*9MV*0802120A**	EN(A,D,W)4X48*21**	0.97	1.06	0.95	1.02	OMV098J12A
EA*4X48*24A*	0.95	1.00	0.98	1.04	*9MV*1002120A**	EN(A,D,W)4X48*21**	0.97	1.03	0.98	1.03	OMV112K14A
EA*4X48*24A*	0.96	1.00	0.95	1.00	*9MV*1202422A**	EN(A,D,W)4X48*21**	0.96	1.08	0.97	1.20	
EA*4X48*24A*	0.98	0.99	0.99	1.02	MV16J22**B*	END4X42*17**	0.97	1.02	0.98	1.05	*8MV*0701412**
EA*4X48*24A*	0.98	0.99	0.99	1.03	MV20L24**B*	END4X42*17**	0.97	1.02	0.98	1.03	*8MV*0901716**
EA*4X48*24A*	0.97	1.03	0.99	1.06	OLV112A16A	END4X42*17**	0.96	1.08	0.95	1.04	*8MX*0451408**
EA*4X48*24A*	0.96	1.08	0.96	1.19		END4X42*17**	0.96	1.06	0.99	1.11	*8MX*0701716**
ED*4X36B**	0.95	1.03	0.96	1.04	MV08B15**B*	END4X42*17**	0.95	1.05	0.96	1.06	*9MA*0601714A**
ED*4X36F**	0.95	1.00	0.96	1.03	*8MV*0901716**	END4X42*17**	0.95	1.03	0.96	1.05	*9MA*0801714A**
ED*4X36F**	0.95	1.04	0.97	1.10	*8MX*0701716**	END4X42*17**	0.96	1.05	0.91	1.00	*9MV*0601714A**
ED*4X36F**	0.93	1.03	0.95	1.07	*9MA*0601714A**	END4X42*17**	0.96	1.08	0.91	0.99	*9MV*0801716A**
ED*4X36F**	0.93	1.03	0.95	1.05	*9MA*0801714A**	END4X42*17**	0.96	1.06	0.95	1.04	*9MX*0601714A**
ED*4X36F**	0.94	1.06	0.89	1.00	*9MV*0601714A**	END4X42*17**	0.96	1.06	0.99	1.11	*9MX*0801716A**
ED*4X36F**	0.95	1.04	0.9	0.99	*9MV*0801716A**	END4X42*17**	0.97	1.02	0.98	1.03	MV08B15**B*
ED*4X36F**	0.94	1.03	0.93	1.04	*9MX*0601714A**	END4X42*17**	0.96	1.08	0.91	1.01	OLV098A12A
ED*4X36F**	0.95	1.04	0.97	1.11	*9MX*0801716A**	END4X42*17**	0.96	1.05	0.94	1.02	OMV098J12A
ED*4X36F**	0.95	1.03	0.96	1.03	MV08B15**B*	END4X42*17**	0.96	1.04	0.97	1.04	OMV112K14A
ED*4X36F**	0.96	1.01	0.97	1.02	MV12F19**B*	END4X42*17**	0.95	1.09	0.96	1.20	

COOLING Multiplying Factors for other Indoor Combinations (continued)

COOLING INDOOR MODEL	HIGH SPEED CAPACITY	POWER	LOW SPEED CAPACITY	POWER	FURNACE MODEL	COOLING INDOOR MODEL	HIGH SPEED CAPACITY	POWER	LOW SPEED CAPACITY	POWER	FURNACE MODEL
ED*4X36F**	0.93	1.05	0.89	1.01	OLV098A12A	ENH4X36*17**	0.95	1.04	0.96	1.06	*8MV*0701412**
ED*4X36F**	0.94	1.06	0.93	1.02	OMV098J12A	ENH4X36*17**	0.95	1.03	0.96	1.04	*8MV*0901716**
ED*4X36F**	0.95	1.04	0.96	1.05	OMV112K14A	ENH4X36*17**	0.95	1.03	0.96	1.04	*8MV*1102120**
ED*4X36F**	0.93	1.08	0.94	1.20		ENH4X36*17**	0.95	1.00	0.96	1.04	*8MV*1352422**
ED*4X36J**	0.96	0.99	0.97	1.01	MV12F19**B*	ENH4X36*17**	0.93	1.07	0.93	1.05	*8MX*0451408**
ED*4X36J**	0.96	0.99	0.97	1.02	MV16J22**B*	ENH4X36*17**	0.94	1.06	0.97	1.11	*8MX*0701716**
ED*4X42F**	0.96	1.02	0.97	1.03	MV08B15**B*	ENH4X36*17**	0.95	1.02	0.97	1.08	*8MX*0902116**
ED*4X42F**	0.96	1.00	0.97	1.01	MV12F19**B*	ENH4X36*17**	0.93	1.05	0.94	1.07	*9MA*0601714A**
ED*4X42J**	0.96	1.00	0.97	1.01	MV12F19**B*	ENH4X36*17**	0.93	1.03	0.94	1.05	*9MA*0801714A**
ED*4X42J**	0.96	1.00	0.97	1.02	MV16J22**B*	ENH4X36*17**	0.93	1.03	0.95	1.05	*9MA*1202422A**
ED*4X42L**	0.96	1.00	0.97	1.02	MV16J22**B*	ENH4X36*17**	0.93	1.05	0.93	1.06	*9MV*0601714A**
ED*4X42L**	0.96	1.00	0.97	1.03	MV20L24**B*	ENH4X36*17**	0.94	1.03	0.93	1.04	*9MV*0801716A**
ED*4X48F**	0.98	1.02	0.99	1.02	MV08B15**B*	ENH4X36*17**	0.93	1.00	0.92	1.01	*9MV*1202422A**
ED*4X48F**	0.98	1.00	0.99	1.01	MV12F19**B*	ENH4X36*17**	0.94	1.06	0.93	1.04	*9MX*0601714A**
ED*4X48J**	0.97	1.01	0.99	1.03	*8MV*1102120**	ENH4X36*17**	0.94	1.03	0.97	1.12	*9MX*0801716A**
ED*4X48J**	0.98	1.02	1.00	1.08	*8MX*0902116**	ENH4X36*17**	0.95	1.03	0.96	1.04	MV08B15**B*
ED*4X48J**	0.96	1.02	0.97	1.03	*9MA*1202422A**	ENH4X36*17**	0.93	1.07	0.89	1.01	OLV098A12A
ED*4X48J**	0.98	1.02	0.99	1.01	MV12F19**B*	ENH4X36*17**	0.95	1.07	0.96	1.08	OLV112A16A
ED*4X48J**	0.98	1.02	0.99	1.02	MV16J22**B*	ENH4X36*17**	0.97	1.06	0.99	1.09	OLV154F20A
ED*4X48J**	0.97	1.05	0.99	1.06	OLV112A16A	ENH4X36*17**	0.93	1.05	0.92	1.02	OMV098J12A
ED*4X48J**	0.96	1.08	0.96	1.19		ENH4X36*17**	0.94	1.03	0.95	1.05	OMV112K14A
ED*4X48L**	0.98	0.99	0.99	1.02	MV16J22**B*	ENH4X36*17**	0.93	1.08	0.94	1.20	
ED*4X48L**	0.98	0.99	0.99	1.03	MV20L24**B*	ENH4X42*21**	0.96	1.03	0.97	1.04	*8MV*0701412**

COOLING Multiplying Factors for other Indoor Combinations (continued)

COOLING INDOOR MODEL	HIGH SPEED CAPACITY	POWER	LOW SPEED CAPACITY	FURNACE MODEL	COOLING INDOOR MODEL	HIGH SPEED CAPACITY	POWER	LOW SPEED CAPACITY	FURNACE MODEL	COOLING INDOOR MODEL	HIGH SPEED CAPACITY	POWER	LOW SPEED CAPACITY	FURNACE MODEL
EHD4X36A**	0.97	1.03	0.98	*8MV*0701412**	ENH4X42*21**	0.96	1.02	0.97	*8MV*0901716**	ENH4X42*21**	0.96	1.02	0.97	*8MV*0901716**
EHD4X36A**	0.97	1.03	0.99	*8MV*0901716**	ENH4X42*21**	0.96	1.02	0.97	*8MV*1102120**	ENH4X42*21**	0.96	1.02	0.97	*8MV*1102120**
EHD4X36A**	0.97	1.03	0.98	*8MV*1102120**	ENH4X42*21**	0.96	1.02	0.97	*8MV*1352422**	ENH4X42*21**	0.96	1.02	0.97	*8MV*1352422**
EHD4X36A**	0.98	1.02	0.99	*8MV*1352422**	ENH4X42*21**	0.95	1.07	0.95	*8MX*0451408**	ENH4X42*21**	0.95	1.07	0.95	*8MX*0451408**
EHD4X36A**	0.97	1.09	0.95	*8MX*0451408**	ENH4X42*21**	0.95	1.05	0.98	*8MX*0701716**	ENH4X42*21**	0.95	1.05	0.98	*8MX*0701716**
EHD4X36A**	0.97	1.06	0.99	*8MX*0701716**	ENH4X42*21**	0.96	1.02	0.98	*8MX*0902116**	ENH4X42*21**	0.96	1.02	0.98	*8MX*0902116**
EHD4X36A**	0.97	1.03	0.99	*8MX*0902116**	ENH4X42*21**	0.94	1.03	0.95	*9MA*0601714A**	ENH4X42*21**	0.94	1.03	0.95	*9MA*0601714A**
EHD4X36A**	0.96	1.05	0.97	*9MA*0601714A**	ENH4X42*21**	0.95	1.04	0.95	*9MA*0602120A**	ENH4X42*21**	0.95	1.04	0.95	*9MA*0602120A**
EHD4X36A**	0.97	1.01	0.97	*9MA*0602120A**	ENH4X42*21**	0.95	1.04	0.95	*9MA*0801714A**	ENH4X42*21**	0.95	1.04	0.95	*9MA*0801714A**
EHD4X36A**	0.96	1.03	0.97	*9MA*0801714A**	ENH4X42*21**	0.95	1.03	0.95	*9MA*0802120A**	ENH4X42*21**	0.95	1.03	0.95	*9MA*0802120A**
EHD4X36A**	0.97	0.99	0.97	*9MA*0802120A**	ENH4X42*21**	0.96	1.00	0.95	*9MA*1002122A**	ENH4X42*21**	0.96	1.00	0.95	*9MA*1002122A**
EHD4X36A**	0.97	0.99	0.97	*9MA*1002122A**	ENH4X42*21**	0.95	1.03	0.97	*9MA*1202422A**	ENH4X42*21**	0.95	1.00	0.95	*9MA*1202422A**
EHD4X36A**	0.96	1.02	0.97	*9MA*1202422A**	ENH4X42*21**	0.96	1.04	0.97	*9MV*0601714A**	ENH4X42*21**	0.96	1.05	0.97	*9MV*0601714A**
EHD4X36A**	0.96	1.06	0.91	*9MV*0601714A**	ENH4X42*21**	0.96	1.01	0.91	*9MV*0801716A**	ENH4X42*21**	0.96	1.05	0.91	*9MV*0801716A**
EHD4X36A**	0.97	1.05	0.92	*9MV*0801716A**	ENH4X42*21**	0.93	1.01	0.96	*9MV*0802120A**	ENH4X42*21**	0.93	1.01	0.96	*9MV*0802120A**
EHD4X36A**	0.95	1.00	0.97	*9MV*0802120A**	ENH4X42*21**	0.93	1.01	0.95	*9MV*1002120A**	ENH4X42*21**	0.93	1.01	0.95	*9MV*1002120A**
EHD4X36A**	0.95	1.00	0.97	*9MV*1002120A**	ENH4X42*21**	0.94	0.99	0.93	*9MV*1202422A**	ENH4X42*21**	0.94	0.99	0.93	*9MV*1202422A**
EHD4X36A**	0.95	1.00	0.95	*9MV*1202422A**	ENH4X42*21**	0.95	1.05	0.94	*9MX*0601714A**	ENH4X42*21**	0.95	1.05	0.94	*9MX*0601714A**
EHD4X36A**	0.97	1.06	0.95	*9MX*0601714A**	ENH4X42*21**	0.95	1.05	0.99	*9MX*0801716A**	ENH4X42*21**	0.95	1.05	0.99	*9MX*0801716A**
EHD4X36A**	0.97	1.02	1.00	*9MX*0801716A**	ENH4X42*21**	0.96	1.00	0.97	MV12F19**B*	ENH4X42*21**	0.96	1.00	0.97	MV12F19**B*
EHD4X36A**	0.97	1.01	0.99	MV08B15**B*	ENH4X42*21**	0.95	1.07	0.9	OLV098A12A	ENH4X42*21**	0.95	1.07	0.9	OLV098A12A
EHD4X36A**	0.98	1.02	0.99	MV12F19**B*	ENH4X42*21**	0.96	1.05	0.97	OLV112A16A	ENH4X42*21**	0.96	1.05	0.97	OLV112A16A
EHD4X36A**	0.98	1.02	0.99	MV16J22**B*	ENH4X42*21**	0.98	1.04	1.00	OLV154F20A	ENH4X42*21**	0.98	1.04	1.00	OLV154F20A

COOLING Multiplying Factors for other Indoor Combinations (continued)

COOLING INDOOR MODEL	HIGH SPEED CAPACITY	POWER	LOW SPEED CAPACITY	POWER	FURNACE MODEL	COOLING INDOOR MODEL	HIGH SPEED CAPACITY	POWER	LOW SPEED CAPACITY	POWER	FURNACE MODEL
EHD4X36A**	0.98	1.02	0.99	1.04	MV20L24**B*	ENH4X42*21**	0.95	1.07	0.93	1.03	OMV098J12A
EHD4X36A**	0.96	1.05	0.91	1.01	OLV098A12A	ENH4X42*21**	0.95	1.05	0.97	1.05	OMV112K14A
EHD4X36A**	0.97	1.05	0.99	1.07	OLV112A16A	ENH4X42*21**	0.95	1.08	0.95	1.20	
EHD4X36A**	0.99	1.05	1.01	1.07	OLV154F20A	ENH4X48*21**	0.97	1.03	0.99	1.04	*8MV*0701412**
EHD4X36A**	0.96	1.06	0.94	1.02	OMV098J12A	ENH4X48*21**	0.98	1.02	0.99	1.02	*8MV*0901716**
EHD4X36A**	0.97	1.02	0.98	1.05	OMV112K14A	ENH4X48*21**	0.98	1.02	0.99	1.02	*8MV*1102120**
EHD4X36A**	0.96	1.08	0.96	1.19		ENH4X48*21**	0.98	0.99	0.99	1.01	*8MV*1352422**
EHD4X42A**	0.98	1.03	0.99	1.04	*8MV*0701412**	ENH4X48*21**	0.97	1.07	0.97	1.04	*8MX*0451408**
EHD4X42A**	0.98	1.02	0.99	1.03	*8MV*0901716**	ENH4X48*21**	0.97	1.03	1.00	1.10	*8MX*0701716**
EHD4X42A**	0.98	1.02	0.99	1.03	*8MV**1102120**	ENH4X48*21**	0.98	1.02	1.01	1.07	*8MX*0902116**
EHD4X42A**	0.98	1.02	0.99	1.02	*8MV**1352422**	ENH4X48*21**	0.96	1.03	0.97	1.05	*9MA*0601714A**
EHD4X42A**	0.97	1.07	0.96	1.04	*8MX*0451408**	ENH4X48*21**	0.97	1.01	0.97	1.04	*9MA*0602120A**
EHD4X42A**	0.97	1.03	1.00	1.10	*8MX*0701716**	ENH4X48*21**	0.96	1.02	0.97	1.04	*9MA*0801714A**
EHD4X42A**	0.98	1.02	1.01	1.08	*8MX*0902116**	ENH4X48*21**	0.98	0.99	0.97	1.03	*9MA*0802120A**
EHD4X42A**	0.96	1.06	0.97	1.06	*9MA*0601714A**	ENH4X48*21**	0.98	0.99	0.97	1.03	*9MA*1002122A**
EHD4X42A**	0.98	1.02	0.97	1.05	*9MA*0602120A**	ENH4X48*21**	0.96	1.02	0.97	1.03	*9MA*1202422A**
EHD4X42A**	0.96	1.02	0.97	1.05	*9MA*0801714A**	ENH4X48*21**	0.97	1.06	0.92	1.00	*9MV*0601714A**
EHD4X42A**	0.98	0.99	0.97	1.03	*9MA*0802120A**	ENH4X48*21**	0.97	1.03	0.93	1.00	*9MV*0801716A**
EHD4X42A**	0.98	0.99	0.97	1.03	*9MA*1002122A**	ENH4X48*21**	0.96	1.01	0.99	1.04	*9MV*0802120A**
EHD4X42A**	0.97	1.02	0.97	1.04	*9MA*1202422A**	ENH4X48*21**	0.96	1.01	0.98	1.04	*9MV*1002120A**
EHD4X42A**	0.97	1.07	0.92	1.00	*9MV*0601714A**	ENH4X48*21**	0.96	1.00	0.96	1.00	*9MV*1202422A**
EHD4X42A**	0.97	1.05	0.93	0.99	*9MV*0801716A**	ENH4X48*21**	0.97	1.07	0.96	1.03	*9MX*0601714A**
EHD4X42A**	0.96	1.01	0.98	1.04	*9MV*0802120A**	ENH4X48*21**	0.97	1.03	1.01	1.11	*9MX*0801716A**

COOLING Multiplying Factors for other Indoor Combinations (continued)										
COOLING INDOOR MODEL	HIGH SPEED CAPACITY	POWER	LOW SPEED CAPACITY	POWER	FURNACE MODEL	COOLING INDOOR MODEL	HIGH SPEED CAPACITY	POWER	LOW SPEED CAPACITY	FURNACE MODEL
EHD4X42A**	0.96	1.01	0.97	1.04	*9MV*1002120A**	ENH4X48*21**	0.98	0.99	0.99	MV12F19**B*
EHD4X42A**	0.96	1.00	0.95	1.00	*9MV*1202422A**	ENH4X48*21**	0.96	1.06	0.91	OLV098A12A
EHD4X42A**	0.97	1.07	0.95	1.03	*9MX*0601714A**	ENH4X48*21**	0.98	1.03	0.99	OLV112A16A
EHD4X42A**	0.97	1.03	1.01	1.11	*9MX*0801716A**	ENH4X48*21**	1.00	1.04	1.02	OLV154F20A
EHD4X42A**	0.98	1.02	0.99	1.02	MV08B15**B*	ENH4X48*21**	0.97	1.06	0.95	OMV098J12A
EHD4X42A**	0.98	1.00	0.99	1.02	MV12F19**B*	ENH4X48*21**	0.97	1.03	0.98	OMV112K14A
EHD4X42A**	0.98	1.00	0.99	1.02	MV16J22**B*	ENH4X48*21**	0.96	1.08	0.97	
EHD4X42A**	0.98	1.00	0.99	1.03	MV20L24**B*	FCM4X24****	0.95	1.05	0.97	
EHD4X42A**	0.97	1.06	0.91	1.01	OLV098A12A	FCM4X36****	0.96	1.01	0.97	
EHD4X42A**	0.98	1.03	0.99	1.07	OLV112A16A	FCM4X48****	0.99	1.00	0.99	
EHD4X42A**	1.01	1.05	1.02	1.07	OLV154F20A	FCM4X60****	1.00	1.00	1.00	
EHD4X42A**	0.97	1.06	0.95	1.02	OMV098J12A	FVM4X24****	0.95	1.04	0.96	
EHD4X42A**	0.97	1.03	0.99	1.04	OMV112K14A	FVM4X36****	0.96	1.01	0.97	
EHD4X42A**	0.96	1.08	0.97	1.19		FVM4X48****	0.99	1.00	0.99	
(H,C,T)CH6 48										
*FVM4X48****	1.00	1.00	1.00	1.00		EHD4X60A**	1.00	1.02	0.99	*9MA*1202422A**
EA*4X48*17A*	0.98	1.02	0.97	1.01	*8MV*0901716**	EHD4X60A**	0.97	1.03	1.00	*9MV*0801716A**
EA*4X48*17A*	0.95	1.03	0.97	1.07	*9MV*0801716A**	EHD4X60A**	1.00	1.00	0.99	*9MV*0802120A**
EA*4X48*17A*	0.98	1.06	0.97	1.05	*9MX*0801716A**	EHD4X60A**	1.00	1.00	0.99	*9MV*1002120A**
EA*4X48*17A*	0.98	1.06	0.97	1.14		EHD4X60A**	0.97	0.99	1.00	*9MV*1202422A**
EA*4X48*21A*	0.97	1.01	0.98	1.02	*8MV*0901716**	EHD4X60A**	1.00	1.09	0.99	*9MX*0801716A**
EA*4X48*21A*	0.97	1.01	0.98	1.02	*8MV*1102120**	EHD4X60A**	1.01	1.05	1.01	*9MX*0802120A**
EA*4X48*21A*	0.94	1.02	0.98	1.06	*9MA*0602120A**	EHD4X60A**	1.01	1.04	1.01	*9MX*1002120A**

COOLING Multiplying Factors for other Indoor Combinations (continued)

COOLING INDOOR MODEL	HIGH SPEED CAPACITY	POWER	LOW SPEED CAPACITY	POWER	FURNACE MODEL	COOLING INDOOR MODEL	HIGH SPEED CAPACITY	POWER	LOW SPEED CAPACITY	POWER	FURNACE MODEL
EA*4X48*21A*	0.95	1.01	0.98	1.03	*9MA*0802120A**	EHD4X60A**	1.01	1.05	1.03	1.07	*9MX*1202422A**
EA*4X48*21A*	0.95	0.99	0.98	1.03	*9MA*1002122A**	EHD4X60A**	1.00	1.00	1.01	0.99	MV16J22**B*
EA*4X48*21A*	0.94	1.02	0.98	1.08	*9MV*0801716A**	EHD4X60A**	1.00	0.98	1.01	0.99	MV20L24**B*
EA*4X48*21A*	0.97	1.01	0.98	1.05	*9MV*0802120A**	EHD4X60A**	1.00	1.09	1.00	1.07	OLV112A16A
EA*4X48*21A*	0.97	1.01	0.97	1.05	*9MV*1002120A**	EHD4X60A**	1.02	1.06	1.03	1.05	OLV154F20A
EA*4X48*21A*	0.97	1.08	0.98	1.06	*9MX*0801716A**	EHD4X60A**	1.02	1.11	0.99	1.14	
EA*4X48*21A*	0.98	1.05	0.99	1.06	*9MX*0802120A**	EN(A,D)4X48*24**	0.98	1.02	0.98	1.01	*8MV*1102120**
EA*4X48*21A*	0.98	1.02	0.99	1.05	*9MX*1002120A**	EN(A,D)4X48*24**	0.98	1.00	0.97	0.99	*8MV*1352422**
EA*4X48*21A*	0.97	1.08	0.97	1.07	OLV112A16A	EN(A,D)4X48*24**	0.99	1.03	0.99	1.02	*8MX*0902116**
EA*4X48*21A*	0.97	1.05	0.98	1.15		EN(A,D)4X48*24**	0.99	1.03	0.99	1.01	*8MX*1102120**
EA*4X48*24A*	0.97	1.01	0.98	1.01	*8MV*1102120**	EN(A,D)4X48*24**	0.99	1.03	1.00	1.05	*8MX*1352420**
EA*4X48*24A*	0.98	1.02	0.98	1.00	*8MV*1352422**	EN(A,D)4X48*24**	0.95	1.03	0.98	1.05	*9MA*0602120A**
EA*4X48*24A*	0.95	1.03	0.98	1.05	*9MA*0602120A**	EN(A,D)4X48*24**	0.96	1.00	0.98	1.02	*9MA*0802120A**
EA*4X48*24A*	0.95	0.99	0.98	1.02	*9MA*0802120A**	EN(A,D)4X48*24**	0.96	1.00	0.98	1.02	*9MA*1002122A**
EA*4X48*24A*	0.95	0.99	0.98	1.02	*9MA*1002122A**	EN(A,D)4X48*24**	0.98	1.02	0.98	1.02	*9MA*1202422A**
EA*4X48*24A*	0.97	1.01	0.98	1.02	*9MA*1202422A**	EN(A,D)4X48*24**	0.98	1.02	0.98	1.05	*9MV*0802120A**
EA*4X48*24A*	0.98	1.02	0.98	1.05	*9MV*0802120A**	EN(A,D)4X48*24**	0.98	1.02	0.98	1.04	*9MV*1002120A**
EA*4X48*24A*	0.97	1.01	0.98	1.05	*9MV*1002120A**	EN(A,D)4X48*24**	0.95	0.99	0.99	1.03	*9MV*1202422A**
EA*4X48*24A*	0.95	0.99	0.97	1.02	*9MV*1202422A**	EN(A,D)4X48*24**	0.98	1.02	1.00	1.07	*9MX*0802120A**
EA*4X48*24A*	0.96	1.00	1.00	1.12	*9MX*0802120A**	EN(A,D)4X48*24**	0.98	1.02	0.99	1.04	*9MX*1002120A**
EA*4X48*24A*	0.98	1.02	1.00	1.11	*9MX*1002120A**	EN(A,D)4X48*24**	0.99	1.03	1.00	1.07	*9MX*1202422A**
EA*4X48*24A*	0.98	1.02	1.00	1.08	*9MX*1202422A**	EN(A,D)4X48*24**	0.98	1.00	0.99	0.99	MV16J22**B*
EA*4X48*24A*	0.98	1.00	0.99	0.99	MV16J22**B*	EN(A,D)4X48*24**	0.98	1.00	0.99	0.99	MV20L24**B*

COOLING Multiplying Factors for other Indoor Combinations (continued)

COOLING INDOOR MODEL	HIGH SPEED CAPACITY	POWER	LOW SPEED CAPACITY	FURNACE MODEL	COOLING INDOOR MODEL	HIGH SPEED CAPACITY	POWER	LOW SPEED CAPACITY	FURNACE MODEL	COOLING INDOOR MODEL	HIGH SPEED CAPACITY	POWER	LOW SPEED CAPACITY	FURNACE MODEL
EA*4X48*24A*	0.98	1.00	0.99	MV20L24**B*	EN(A,D)4X48*24**	0.98	1.09	0.99	OLV112A16A	EN(A,D)4X48*24**	0.98	1.07	0.99	OLV112A16A
EA*4X48*24A*	0.98	1.09	0.97	OLV112A16A	EN(A,D)4X48*24**	1.00	1.09	1.01	OLV154F20A	EN(A,D)4X48*24**	1.00	1.07	1.01	OLV154F20A
EA*4X48*24A*	1.00	1.09	1.00	OLV154F20A	EN(A,D)4X48*24**	0.98	1.06	0.97		EN(A,D)4X48*24**	0.98	1.04	0.97	
EA*4X48*24A*	0.97	1.05	0.98		EN(A,D,W)4X48*21**	0.98	1.02	0.98	*8MV*0901716**	EN(A,D,W)4X48*21**	0.98	1.01	0.98	*8MV*0901716**
EA*4X60*21A*	0.99	1.03	0.97	*8MV*0901716**	EN(A,D,W)4X48*21**	0.98	1.02	0.98	*8MV*1102120**	EN(A,D,W)4X48*21**	0.98	1.01	0.98	*8MV*1102120**
EA*4X60*21A*	0.99	1.01	0.97	*8MV*1102120**	EN(A,D,W)4X48*21**	0.98	1.11	0.97	*8MX*0701716**	EN(A,D,W)4X48*21**	0.98	1.06	0.97	*8MX*0701716**
EA*4X60*21A*	0.97	1.03	0.97	*9MA*0602120A**	EN(A,D,W)4X48*21**	0.99	1.03	0.99	*8MX*0902116**	EN(A,D,W)4X48*21**	0.99	1.02	0.99	*8MX*0902116**
EA*4X60*21A*	0.97	1.01	0.97	*9MA*0802120A**	EN(A,D,W)4X48*21**	0.99	1.03	0.99	*8MX*1102120**	EN(A,D,W)4X48*21**	0.99	1.01	0.99	*8MX*1102120**
EA*4X60*21A*	0.97	0.99	0.97	*9MA*1002122A**	EN(A,D,W)4X48*21**	0.99	1.03	1.00	*8MX*1352420**	EN(A,D,W)4X48*21**	0.99	1.05	1.00	*8MX*1352420**
EA*4X60*21A*	0.96	1.02	0.99	*9MV*0801716A**	EN(A,D,W)4X48*21**	0.95	1.03	0.98	*9MA*0602120A**	EN(A,D,W)4X48*21**	0.95	1.05	0.98	*9MA*0602120A**
EA*4X60*21A*	0.99	1.01	0.97	*9MV*0802120A**	EN(A,D,W)4X48*21**	0.96	1.00	0.98	*9MA*0802120A**	EN(A,D,W)4X48*21**	0.96	1.02	0.98	*9MA*0802120A**
EA*4X60*21A*	0.99	0.99	0.97	*9MV*1002120A**	EN(A,D,W)4X48*21**	0.96	1.00	0.98	*9MA*1002122A**	EN(A,D,W)4X48*21**	0.96	1.02	0.98	*9MA*1002122A**
EA*4X60*21A*	0.99	1.08	0.97	*9MX*0801716A**	EN(A,D,W)4X48*21**	0.95	1.03	0.97	*9MV*0801716A**	EN(A,D,W)4X48*21**	0.95	1.06	0.97	*9MV*0801716A**
EA*4X60*21A*	1.00	1.04	1.01	*9MX*0802120A**	EN(A,D,W)4X48*21**	0.98	1.02	0.98	*9MV*0802120A**	EN(A,D,W)4X48*21**	0.98	1.05	0.98	*9MV*0802120A**
EA*4X60*21A*	1.00	1.04	1.00	*9MX*1002120A**	EN(A,D,W)4X48*21**	0.98	1.02	0.98	*9MV*1002120A**	EN(A,D,W)4X48*21**	0.98	1.04	0.98	*9MV*1002120A**
EA*4X60*21A*	0.99	1.08	0.99	OLV112A16A	EN(A,D,W)4X48*21**	0.97	1.05	0.98	*9MX*0801716A**	EN(A,D,W)4X48*21**	0.97	1.06	0.98	*9MX*0801716A**
EA*4X60*21A*	0.99	1.08	0.97		EN(A,D,W)4X48*21**	0.98	1.02	1.00	*9MX*0802120A**	EN(A,D,W)4X48*21**	0.98	1.07	1.00	*9MX*0802120A**
EA*4X60*24A*	0.99	1.01	0.97	*8MV*1102120**	EN(A,D,W)4X48*21**	0.98	1.02	0.99	*9MX*0802120A**	EN(A,D,W)4X48*21**	0.98	1.04	0.99	*9MX*0802120A**
EA*4X60*24A*	1.00	1.00	0.99	*8MV*1352422**	EN(A,D,W)4X48*21**	0.98	1.02	0.99	*9MX*1002122A**	EN(A,D,W)4X48*21**	0.98	1.04	0.99	*9MX*1002122A**
EA*4X60*24A*	0.97	1.03	0.97	*9MA*0602120A**	EN(A,D,W)4X48*21**	0.98	1.06	0.97	OLV112A16A	EN(A,D,W)4X48*21**	0.98	1.07	0.97	OLV112A16A
EA*4X60*24A*	0.97	1.01	0.97	*9MA*0802120A**	EN(A,D,W)4X60*24**	0.99	1.01	0.99		EN(A,D,W)4X60*24**	0.99	1.00	0.99	
EA*4X60*24A*	0.97	0.99	0.97	*9MA*1002122A**	EN(A,D,W)4X60*24**	0.99	0.99	0.99	*8MV*1102120**	EN(A,D,W)4X60*24**	0.99	0.99	0.99	*8MV*1102120**
EA*4X60*24A*	0.99	1.03	0.97	*9MA*1202422A**	EN(A,D,W)4X60*24**	1.00	1.01	0.97	*8MV*1352422**	EN(A,D,W)4X60*24**	0.99	0.99	0.99	*8MV*1352422**

COOLING Multiplying Factors for other Indoor Combinations (continued)

COOLING INDOOR MODEL	HIGH SPEED CAPACITY	POWER	LOW SPEED CAPACITY	POWER	FURNACE MODEL	COOLING INDOOR MODEL	HIGH SPEED CAPACITY	POWER	LOW SPEED CAPACITY	POWER	FURNACE MODEL
EA*4X60*24A*	1.00	1.02	0.97	1.03	*9MV*0802120A**	EN(A,D,W)4X60*24**	1.00	1.00	1.00	1.01	*8MX*1102120**
EA*4X60*24A*	0.99	0.99	0.97	1.03	*9MV*1002120A**	EN(A,D,W)4X60*24**	1.00	1.04	1.01	1.05	*8MX*1352420**
EA*4X60*24A*	0.97	0.99	0.99	1.02	*9MV*1202422A**	EN(A,D,W)4X60*24**	0.97	1.03	0.97	1.03	*9MA*0602120A**
EA*4X60*24A*	1.00	1.04	1.01	1.07	*9MX*0802120A**	EN(A,D,W)4X60*24**	0.97	1.01	0.97	1.00	*9MA*0802120A**
EA*4X60*24A*	1.00	1.04	1.00	1.04	*9MX*1002120A**	EN(A,D,W)4X60*24**	0.97	0.99	0.97	0.99	*9MA*1002122A**
EA*4X60*24A*	1.00	1.04	1.01	1.08	*9MX*1202422A**	EN(A,D,W)4X60*24**	0.99	1.01	0.97	1.00	*9MA*1202422A**
EA*4X60*24A*	1.00	1.00	1.00	0.99	MV16J22**B*	EN(A,D,W)4X60*24**	1.00	1.02	0.97	1.02	*9MV*0802120A**
EA*4X60*24A*	1.00	1.00	1.00	0.99	MV20L24**B*	EN(A,D,W)4X60*24**	0.99	0.99	0.97	1.02	*9MV*1002120A**
EA*4X60*24A*	1.00	1.09	0.99	1.06	OLV112A16A	EN(A,D,W)4X60*24**	0.97	0.99	1.00	1.03	*9MV*1202422A**
EA*4X60*24A*	1.02	1.09	1.01	1.05	OLV154F20A	EN(A,D,W)4X60*24**	1.00	1.04	1.01	1.07	*9MX*0802120A**
EA*4X60*24A*	0.99	1.08	0.97	1.13		EN(A,D,W)4X60*24**	1.00	1.04	1.00	1.04	*9MX*1002120A**
ED*4X48J**	0.97	1.01	0.98	1.02	*8MV*1102120**	EN(A,D,W)4X60*24**	1.00	1.04	1.01	1.07	*9MX*1202422A**
ED*4X48J**	0.97	1.01	0.98	1.01	*8MV*1352422**	EN(A,D,W)4X60*24**	1.00	1.00	1.00	0.99	MV16J22**B*
ED*4X48J**	0.97	1.01	0.98	1.03	*9MA*1202422A**	EN(A,D,W)4X60*24**	1.00	1.00	1.00	0.99	MV20L24**B*
ED*4X48J**	0.96	1.02	1.00	1.08	*9MX*1202422A**	EN(A,D,W)4X60*24**	1.00	1.09	1.00	1.07	OLV112A16A
ED*4X48J**	0.98	1.00	0.99	1.00	MV16J22**B*	EN(A,D,W)4X60*24**	1.02	1.09	1.03	1.06	OLV154F20A
ED*4X48J**	0.97	1.08	0.97	1.07	OLV112A16A	EN(A,D,W)4X60*24**	0.99	1.08	0.99	1.04	
ED*4X48L**	0.97	1.05	0.98	1.15		ENH4X48*21**	0.98	1.02	0.98	1.01	*8MV*0901716**
ED*4X48L**	0.98	1.00	0.99	0.99	MV16J22**B*	ENH4X48*21**	0.98	1.02	0.98	1.01	*8MV*1102120**
ED*4X48L**	0.98	1.00	0.99	0.99	MV20L24**B*	ENH4X48*21**	0.98	1.00	0.97	0.99	*8MV*1352422**
ED*4X60J**	1.00	1.00	1.00	1.00	MV16J22**B*	ENH4X48*21**	0.98	1.11	0.97	1.06	*8MX*0701716**
ED*4X60L**	0.99	1.01	0.97	0.99	*8MV*1102120**	ENH4X48*21**	0.99	1.03	0.99	1.02	*8MX*0902116**
ED*4X60L**	1.00	1.00	0.99	0.99	*8MV*1352422**	ENH4X48*21**	0.99	1.03	0.99	1.01	*8MX*1102120**

COOLING Multiplying Factors for other Indoor Combinations (continued)

COOLING INDOOR MODEL	HIGH SPEED CAPACITY	POWER	LOW SPEED CAPACITY	POWER	FURNACE MODEL	COOLING INDOOR MODEL	HIGH SPEED CAPACITY	POWER	LOW SPEED CAPACITY	POWER	FURNACE MODEL
ED*4X60L**	0.99	1.03	0.97	1.01	*9MA*1202422A**	ENH4X48*21**	0.99	1.03	1.00	1.05	*8MX*1352420**
ED*4X60L**	0.97	0.99	0.99	1.02	*9MV*1202422A**	ENH4X48*21**	0.95	1.03	0.98	1.05	*9MA*0602120A**
ED*4X60L**	0.98	1.02	1.01	1.08	*9MX*1202422A**	ENH4X48*21**	0.96	1.00	0.98	1.02	*9MA*0802120A**
ED*4X60L**	1.00	1.00	1.00	0.99	MV16J22**B*	ENH4X48*21**	0.96	1.00	0.98	1.02	*9MA*1002122A**
ED*4X60L**	1.00	1.00	1.00	0.99	MV20L24**B*	ENH4X48*21**	0.98	1.02	0.98	1.02	*9MA*1202422A**
ED*4X60L**	1.00	1.09	0.99	1.06	OLV112A16A	ENH4X48*21**	0.95	1.03	0.97	1.06	*9MV*0801716A**
ED*4X60L**	1.02	1.09	1.01	1.05	OLV154F20A	ENH4X48*21**	0.98	1.02	0.98	1.05	*9MV*0802120A**
EHD4X48A**	0.98	1.02	0.97	1.00	*8MV*0901716**	ENH4X48*21**	0.98	1.02	0.98	1.04	*9MV*1002120A**
EHD4X48A**	0.98	1.02	0.97	1.00	*8MV**1102120**	ENH4X48*21**	0.97	1.05	0.98	1.06	*9MX*0801716A**
EHD4X48A**	0.99	1.01	0.97	0.99	*8MV**1352422**	ENH4X48*21**	0.98	1.02	1.00	1.07	*9MX*0802120A**
EHD4X48A**	0.98	1.09	0.97	1.05	*8MX*0701716**	ENH4X48*21**	0.98	1.02	0.99	1.04	*9MX*1002120A**
EHD4X48A**	0.99	1.03	0.99	1.02	*8MX*0902116**	ENH4X48*21**	0.97	1.01	1.00	1.07	*9MX*1202422A**
EHD4X48A**	0.99	1.03	1.01	1.08	*8MX**1102120**	ENH4X48*21**	0.98	1.09	0.99	1.07	OLV112A16A
EHD4X48A**	0.99	1.03	1.00	1.05	*8MX*1352420**	ENH4X48*21**	1.00	1.09	1.01	1.07	OLV154F20A
EHD4X48A**	0.96	1.04	0.97	1.04	*9MA*0602120A**	ENH4X48*21**	0.98	1.06	0.97	1.06	
EHD4X48A**	0.96	1.00	0.97	1.01	*9MA*0802120A**	ENH4X60*24**	0.99	1.01	0.99	1.00	*8MV*0901716**
EHD4X48A**	0.96	1.00	0.97	1.01	*9MA*1002122A**	ENH4X60*24**	0.99	1.01	0.99	1.00	*8MV*1102120**
EHD4X48A**	0.98	1.02	0.97	1.01	*9MA*1202422A**	ENH4X60*24**	0.99	0.99	0.99	0.99	*8MV*1352422**
EHD4X48A**	0.95	1.03	0.97	1.06	*9MV*0801716A**	ENH4X60*24**	0.99	1.10	0.99	1.06	*8MX*0701716**
EHD4X48A**	0.99	1.03	0.98	1.05	*9MV*0802120A**	ENH4X60*24**	1.00	1.04	0.99	1.00	*8MX*0902116**
EHD4X48A**	0.98	1.02	0.98	1.04	*9MV**1002120A**	ENH4X60*24**	1.00	1.00	1.03	1.08	*8MX*1102120**
EHD4X48A**	0.96	1.00	0.99	1.03	*9MV**1202422A**	ENH4X60*24**	1.00	1.04	1.01	1.05	*8MX*1352420**
EHD4X48A**	0.98	1.06	0.97	1.05	*9MX*0801716A**	ENH4X60*24**	0.97	1.03	0.97	1.03	*9MA*0602120A**

COOLING Multiplying Factors for other Indoor Combinations (continued)										
COOLING INDOOR MODEL	HIGH SPEED CAPACITY	POWER	LOW SPEED CAPACITY	POWER	FURNACE MODEL	COOLING INDOOR MODEL	HIGH SPEED CAPACITY	POWER	LOW SPEED CAPACITY	FURNACE MODEL
EHD4X48A**	0.99	1.03	1.00	1.07	*9MX*0802120A**	ENH4X60*24**	0.97	1.01	0.97	*9MA*0802120A**
EHD4X48A**	0.99	1.03	1.00	1.05	*9MX*1002120A**	ENH4X60*24**	0.97	0.99	0.97	*9MA*1002122A**
EHD4X48A**	0.99	1.03	1.00	1.07	*9MX*1202422A**	ENH4X60*24**	0.99	1.01	0.97	*9MA*1202422A**
EHD4X48A**	0.99	1.01	1.00	1.00	MV16J22**B*	ENH4X60*24**	0.96	1.02	0.99	*9MV*0801716A**
EHD4X48A**	0.99	1.01	1.00	1.00	MV20L24**B*	ENH4X60*24**	1.00	1.02	0.97	*9MV*0802120A**
EHD4X48A**	0.99	1.10	0.99	1.08	OLV112A16A	ENH4X60*24**	0.99	0.99	0.97	*9MV*1002120A**
EHD4X48A**	1.01	1.10	1.01	1.07	OLV154F20A	ENH4X60*24**	0.97	0.99	1.00	*9MV*1202422A**
EHD4X48A**	1.00	1.09	0.97	1.13		ENH4X60*24**	0.99	1.08	0.99	*9MX*0801716A**
EHD4X60A**	1.00	1.02	0.99	1.00	*8MV*0901716**	ENH4X60*24**	1.00	1.04	1.01	*9MX*0802120A**
EHD4X60A**	1.00	1.00	0.99	0.99	*8MV*1102120**	ENH4X60*24**	1.00	1.04	1.00	*9MX*1002120A**
EHD4X60A**	1.00	1.00	0.99	0.98	*8MV*1352422**	ENH4X60*24**	1.00	1.04	1.01	*9MX*1202422A**
EHD4X60A**	1.00	1.12	0.99	1.05	*8MX*0701716**	ENH4X60*24**	1.00	1.00	1.00	MV16J22**B*
EHD4X60A**	1.01	1.05	1.00	1.01	*8MX*0902116**	ENH4X60*24**	1.00	1.00	1.00	MV20L24**B*
EHD4X60A**	1.01	1.01	1.04	1.09	*8MX*1102120**	ENH4X60*24**	1.00	1.09	1.00	OLV112A16A
EHD4X60A**	1.01	1.04	1.03	1.05	*8MX*1352420**	ENH4X60*24**	1.02	1.09	1.03	OLV154F20A
EHD4X60A**	0.97	1.01	1.00	1.06	*9MA*0602120A**	ENH4X60*24**	0.99	1.08	0.99	
EHD4X60A**	0.98	1.00	0.99	1.01	*9MA*0802120A**	FCM4X48****	0.99	0.99	0.99	
EHD4X60A**	0.98	1.00	0.99	1.00	*9MA*1002122A**	FCM4X60****	1.00	0.98	1.00	
						FVM4X60****	1.02	1.01	1.01	
(H,C,T)CH6 60										
*FVM4X60****	1.00	1.00	1.00	1.00		EHD4X60A**	0.97	1.04	0.98	*9MA*0802120A**
EA*4X60*21A*	0.96	1.00	0.97	1.06	*8MV*1102120**	EHD4X60A**	0.97	1.01	0.98	*9MA*1002122A**
EA*4X60*21A*	0.97	1.01	0.98	1.04	*8MX*1102120**	EHD4X60A**	0.97	1.01	0.98	*9MA*1202422A**

COOLING Multiplying Factors for other Indoor Combinations (continued)

COOLING INDOOR MODEL	HIGH SPEED CAPACITY	POWER	LOW SPEED CAPACITY	POWER	FURNACE MODEL	COOLING INDOOR MODEL	HIGH SPEED CAPACITY	POWER	LOW SPEED CAPACITY	POWER	FURNACE MODEL
EA*4X60*21A*	0.96	1.00	0.97	1.01	*8MX*1352420**	EHD4X60A**	0.97	1.01	0.98	1.03	*9MV*0802120A**
EA*4X60*21A*	0.96	1.07	0.97	1.01	*9MA*0602120A**	EHD4X60A**	0.97	1.01	0.98	1.03	*9MV*1002120A**
EA*4X60*21A*	0.96	1.03	0.97	1.01	*9MA*0802120A**	EHD4X60A**	0.97	1.01	0.98	1.03	*9MV*1202422A**
EA*4X60*21A*	0.96	1.00	0.97	1.07	*9MA*1002122A**	EHD4X60A**	0.97	1.04	0.99	1.04	*9MX*0802120A**
EA*4X60*21A*	0.96	1.03	0.97	1.01	*9MV*0802120A**	EHD4X60A**	0.98	1.05	0.99	1.02	*9MX*1002120A**
EA*4X60*21A*	0.96	1.00	0.97	1.01	*9MV*1002120A**	EHD4X60A**	0.97	1.01	0.98	1.03	*9MX*1202422A**
EA*4X60*21A*	0.96	1.03	0.98	1.04	*9MX*0802120A**	EHD4X60A**	0.98	1.01	0.99	1.00	MV16J22**B*
EA*4X60*21A*	0.97	1.06	0.98	1.03	*9MX*1002120A**	EHD4X60A**	0.98	0.98	1.00	1.00	MV20L24**B*
EA*4X60*21A*	0.97	1.04	0.97	1.12		EHD4X60A**	0.97	1.01	0.98	1.02	OLV154F20A
EA*4X60*24A*	0.96	1.00	0.97	1.05	*8MV*1102120**	EHD4X60A**	0.98	1.05	0.98	1.13	
EA*4X60*24A*	0.97	1.00	0.98	1.02	*8MV*1352422**	EN(A,D,W)4X60*24**	0.96	1.00	0.98	1.02	*8MV*1102120**
EA*4X60*24A*	0.97	1.01	0.99	1.04	*8MX*1102120**	EN(A,D,W)4X60*24**	0.97	1.00	0.98	1.00	*8MV*1352422**
EA*4X60*24A*	0.97	1.01	0.97	1.00	*8MX*1352420**	EN(A,D,W)4X60*24**	0.97	1.01	0.99	1.03	*8MX*1102120**
EA*4X60*24A*	0.96	1.07	0.97	1.05	*9MA*0602120A**	EN(A,D,W)4X60*24**	0.97	1.01	0.97	1.00	*8MX*1352420**
EA*4X60*24A*	0.96	1.03	0.97	1.04	*9MA*0802120A**	EN(A,D,W)4X60*24**	0.96	1.07	0.97	1.05	*9MA*0602120A**
EA*4X60*24A*	0.96	1.00	0.97	1.07	*9MA*1002122A**	EN(A,D,W)4X60*24**	0.96	1.03	0.97	1.04	*9MA*0802120A**
EA*4X60*24A*	0.96	1.03	0.97	1.02	*9MA*1202422A**	EN(A,D,W)4X60*24**	0.96	1.00	0.97	1.06	*9MA*1002122A**
EA*4X60*24A*	0.96	1.03	0.97	1.02	*9MV*0802120A**	EN(A,D,W)4X60*24**	0.96	1.00	0.97	1.02	*9MA*1202422A**
EA*4X60*24A*	0.96	1.00	0.97	1.02	*9MV*1002120A**	EN(A,D,W)4X60*24**	0.96	1.03	0.97	1.02	*9MV*0802120A**
EA*4X60*24A*	0.96	1.00	0.97	1.02	*9MV*1202422A**	EN(A,D,W)4X60*24**	0.96	1.00	0.97	1.02	*9MV*1002120A**
EA*4X60*24A*	0.96	1.03	0.98	1.04	*9MX*0802120A**	EN(A,D,W)4X60*24**	0.96	1.00	0.98	1.03	*9MV*1202422A**
EA*4X60*24A*	0.97	1.04	0.98	1.02	*9MX*1002120A**	EN(A,D,W)4X60*24**	0.96	1.03	0.98	1.03	*9MX*0802120A**
EA*4X60*24A*	0.96	1.00	0.97	1.00	*9MX*1202422A**	EN(A,D,W)4X60*24**	0.97	1.06	0.98	1.02	*9MX*1002120A**

COOLING Multiplying Factors for other Indoor Combinations (continued)

COOLING INDOOR MODEL	HIGH SPEED CAPACITY	POWER	LOW SPEED CAPACITY	POWER	FURNACE MODEL	COOLING INDOOR MODEL	HIGH SPEED CAPACITY	POWER	LOW SPEED CAPACITY	POWER	FURNACE MODEL
EA*4X60*24A*	0.97	1.00	0.99	1.06	MV16J22**B*	EN(A,D,W)4X60*24**	0.96	1.00	0.98	1.03	*9MX*1202422A**
EA*4X60*24A*	0.97	1.00	0.99	1.05	MV20L24**B*	EN(A,D,W)4X60*24**	0.97	1.00	0.99	1.00	MV16J22**B*
EA*4X60*24A*	0.97	1.01	0.98	0.99	OLV154F20A	EN(A,D,W)4X60*24**	0.97	1.00	0.99	1.00	MV20L24**B*
EA*4X60*24A*	0.97	1.04	0.97	1.12		EN(A,D,W)4X60*24**	0.97	1.01	0.98	1.02	OLV154F20A
ED*4X60J**	0.97	1.00	0.99	1.00	MV16J22**B*	EN(A,D,W)4X60*24**	0.97	1.04	0.97	1.12	
ED*4X60L**	0.96	1.00	0.97	1.01	*8MV*1102120**	ENH4X60*24**	0.96	1.00	0.98	1.01	*8MV*1102120**
ED*4X60L**	0.97	1.01	0.98	1.00	*8MV*1352422**	ENH4X60*24**	0.97	1.00	0.98	1.00	*8MV*1352422**
ED*4X60L**	0.96	1.07	0.97	1.05	*9MA*0602120A**	ENH4X60*24**	0.97	1.01	0.99	1.03	*8MX*1102120**
ED*4X60L**	0.96	1.03	0.97	1.04	*9MA*0802120A**	ENH4X60*24**	0.97	1.01	0.97	1.00	*8MX*1352420**
ED*4X60L**	0.96	1.00	0.97	1.07	*9MA*1002122A**	ENH4X60*24**	0.96	1.07	0.97	1.05	*9MA*0602120A**
ED*4X60L**	0.96	1.03	0.97	1.01	*9MA*1202422A**	ENH4X60*24**	0.96	1.03	0.97	1.04	*9MA*0802120A**
ED*4X60L**	0.96	1.00	0.97	1.01	*9MV*1202422A**	ENH4X60*24**	0.96	1.00	0.97	1.06	*9MA*1002122A**
ED*4X60L**	0.96	1.03	0.98	1.04	*9MX*0802120A**	ENH4X60*24**	0.96	1.00	0.97	1.02	*9MA*1202422A**
ED*4X60L**	0.97	1.04	0.98	1.02	*9MX*1002120A**	ENH4X60*24**	0.96	1.03	0.97	1.02	*9MV*0802120A**
ED*4X60L**	0.96	1.03	0.97	1.00	*9MX*1202422A**	ENH4X60*24**	0.96	1.00	0.97	1.01	*9MV*1002120A**
ED*4X60L**	0.97	1.00	0.99	1.00	MV16J22**B*	ENH4X60*24**	0.96	1.00	0.98	1.03	*9MV*1202422A**
ED*4X60L**	0.97	1.00	0.99	1.01	MV20L24**B*	ENH4X60*24**	0.96	1.03	0.98	1.03	*9MX*0802120A**
ED*4X60L**	0.97	1.01	0.98	0.98	OLV154F20A	ENH4X60*24**	0.97	1.06	0.98	1.02	*9MX*1002120A**
ED*4X60L**	0.97	1.04	0.97	1.12		ENH4X60*24**	0.96	1.00	0.98	1.03	*9MX*1202422A**
EHD4X60A**	0.97	1.01	0.98	1.01	*8MV*1102120**	ENH4X60*24**	0.97	1.00	0.99	1.00	MV16J22**B*
EHD4X60A**	0.97	0.97	0.98	1.00	*8MV*1352422**	ENH4X60*24**	0.97	1.00	0.99	0.99	MV20L24**B*
EHD4X60A**	0.98	1.02	0.99	1.02	*8MX*1102120**	ENH4X60*24**	0.97	1.01	0.98	1.02	OLV154F20A
EHD4X60A**	0.97	1.01	0.98	1.01	*8MX*1352420**	ENH4X60*24**	0.97	1.04	0.97	1.12	

COOLING Multiplying Factors for other Indoor Combinations (continued)										
COOLING INDOOR MODEL	HIGH SPEED CAPACITY	POWER	LOW SPEED CAPACITY	POWER	FURNACE MODEL	COOLING INDOOR MODEL	HIGH SPEED CAPACITY	POWER	LOW SPEED CAPACITY	FURNACE MODEL
EHD4X60A**	0.96	1.06	0.97	1.05	*9MA*0602120A**	FCM4X60***	0.98	0.98	0.99	1.02
HEATING Multiplying Factors for other Indoor Combinations (continued)										
COOLING INDOOR MODEL	HIGH SPEED CAPACITY	POWER	LOW SPEED CAPACITY	POWER	FURNACE MODEL	COOLING INDOOR MODEL	HIGH SPEED CAPACITY	POWER	LOW SPEED CAPACITY	FURNACE MODEL
(H,C,T)CH6 24										
*FVM4X24***	1.00	1.00	1.00	1.00		EHD4X36A**	1.02	1.02	1.03	*9MA*1002122A**
EA*4X24*14A*	0.99	1.01	0.95	0.95	*8MV*0701412**	EHD4X36A**	0.98	0.97	1.03	*9MA*1202422A**
EA*4X24*14A*	1.00	1.03	0.96	0.97	*8MX*0451408**	EHD4X36A**	1.01	1.03	1.01	*9MV*0401410A**
EA*4X24*14A*	1.01	1.08	1.01	1.06	*9MV*0401410A**	EHD4X36A**	0.99	0.99	1.02	*9MV*0601714A**
EA*4X24*14A*	1.03	1.09	0.99	1.06	*9MX*0401410A**	EHD4X36A**	0.99	0.98	1.02	*9MV*0801716A**
EA*4X24*14A*	1.02	1.11	0.98	1.07		EHD4X36A**	0.99	0.96	1.03	*9MV*0802120A**
EA*4X24*17A*	0.99	1.00	0.95	0.95	*8MV*0901716**	EHD4X36A**	1.02	0.97	1.04	*9MV*1002120A**
EA*4X24*17A*	0.99	1.02	1.00	1.02	*9MA*0601714A**	EHD4X36A**	1.00	0.97	1.03	*9MV*1202422A**
EA*4X24*17A*	1.00	1.03	0.99	1.01	*9MA*0801714A**	EHD4X36A**	0.98	0.99	1.00	*9MX*0401410A**
EA*4X24*17A*	1.01	1.08	1.01	1.05	*9MV*0401410A**	EHD4X36A**	0.98	0.93	1.04	*9MX*0601714A**
EA*4X24*17A*	0.99	1.03	1.01	1.00	*9MV*0601714A**	EHD4X36A**	1.00	0.97	1.00	MV08B15**B*
EA*4X24*17A*	0.99	1.02	1.01	0.99	*9MV*0801716A**	EHD4X36A**	1.00	0.97	1.00	MV12F19**B*
EA*4X24*17A*	1.01	1.06	0.99	1.05	*9MX*0401410A**	EHD4X36A**	0.98	0.97	0.93	OLV098A12A
EA*4X24*17A*	1.01	1.00	1.03	0.98	*9MX*0601714A**	EHD4X36A**	0.98	0.97	0.95	OMV098J12A
EA*4X24*17A*	0.99	1.00	0.99	1.00	MV08B15**B*	EHD4X36A**	0.98	0.97	0.96	OMV112K14A
EA*4X24*17A*	1.00	1.02	0.92	1.02	OLV098A12A	EHD4X36A**	0.98	1.04	0.98	
EA*4X24*17A*	1.00	1.02	0.95	0.97	OMV098J12A	EN(A,D)4X24*14**	1.00	1.00	0.95	*8MV*0701412**
EA*4X24*17A*	0.99	1.01	0.95	0.95	OMV112K14A	EN(A,D)4X24*14**	1.01	1.02	0.95	*8MX*0451408**

HEATING Multiplying Factors for other Indoor Combinations (continued)

COOLING INDOOR MODEL	HIGH SPEED CAPACITY	POWER	LOW SPEED CAPACITY	FURNACE MODEL	COOLING INDOOR MODEL	HIGH SPEED CAPACITY	POWER	LOW SPEED CAPACITY	FURNACE MODEL	COOLING INDOOR MODEL	HIGH SPEED CAPACITY	POWER	LOW SPEED CAPACITY	FURNACE MODEL
EA*4X24*17A*	1.02	1.11	0.98		EN(A,D)4X24*14**	1.02	1.07	1.01		EN(A,D)4X24*14**	1.02	1.07	1.01	*9MV*0401410A**
EA*4X30*14A*	1.00	1.01	0.95	*8MV*0701412**	EN(A,D)4X24*14**	1.03	1.07	0.99	*8MV*0701412**	EN(A,D)4X24*14**	1.03	1.07	0.99	*9MX*0401410A**
EA*4X30*14A*	1.01	1.02	0.96	*8MX*0451408**	EN(A,D)4X24*14**	1.02	1.10	0.98	*8MX*0451408**	EN(A,D)4X24*14**	1.02	1.10	0.98	
EA*4X30*14A*	1.01	1.07	1.01	*9MV*0401410A**	EN(A,D)4X24*17**	1.00	0.99	0.95	*9MV*0401410A**	EN(A,D)4X24*17**	1.00	0.99	0.95	*8MV*0901716**
EA*4X30*14A*	1.03	1.08	1.00	*9MX*0401410A**	EN(A,D)4X24*17**	1.00	1.02	1.00	*9MX*0401410A**	EN(A,D)4X24*17**	1.00	1.02	1.00	*9MA*0601714A**
EA*4X30*14A*	1.02	1.10	0.98		EN(A,D)4X24*17**	1.01	1.02	1.01		EN(A,D)4X24*17**	1.01	1.02	1.01	*9MA*0801714A**
EA*4X30*17A*	0.99	0.99	0.95	*8MV*0901716**	EN(A,D)4X24*17**	1.02	1.07	1.01	*8MV*0901716**	EN(A,D)4X24*17**	1.02	1.07	1.01	*9MV*0401410A**
EA*4X30*17A*	0.99	1.01	1.00	*9MA*0601714A**	EN(A,D)4X24*17**	0.99	1.02	1.00	*9MA*0601714A**	EN(A,D)4X24*17**	0.99	1.02	1.00	*9MV*0601714A**
EA*4X30*17A*	1.00	1.02	1.00	*9MA*0801714A**	EN(A,D)4X24*17**	1.00	1.03	1.01	*9MA*0801714A**	EN(A,D)4X24*17**	1.00	1.03	1.01	*9MV*0801716A**
EA*4X30*17A*	1.02	1.07	1.01	*9MV*0401410A**	EN(A,D)4X24*17**	1.01	1.05	0.99	*9MV*0401410A**	EN(A,D)4X24*17**	1.01	1.05	0.99	*9MX*0401410A**
EA*4X30*17A*	1.00	1.03	1.02	*9MV*0601714A**	EN(A,D)4X24*17**	1.01	0.99	1.03	*9MV*0601714A**	EN(A,D)4X24*17**	1.01	0.99	1.03	*9MX*0601714A**
EA*4X30*17A*	1.00	1.01	1.02	*9MV*0801716A**	EN(A,D)4X24*17**	1.00	0.97	0.99	*9MV*0801716A**	EN(A,D)4X24*17**	1.00	0.99	0.99	MV08B15**B*
EA*4X30*17A*	1.01	1.05	1.00	*9MX*0401410A**	EN(A,D)4X24*17**	1.01	1.04	1.00	*9MX*0401410A**	EN(A,D)4X24*17**	1.01	1.01	0.93	OLV098A12A
EA*4X30*17A*	0.99	0.99	0.99	MV08B15**B*	EN(A,D)4X24*17**	1.02	0.98	0.95	MV08B15**B*	EN(A,D)4X24*17**	1.02	1.03	0.96	OMV098J12A
EA*4X30*17A*	1.00	1.01	0.93	OLV098A12A	EN(A,D)4X24*17**	1.00	1.01	0.96	OLV098A12A	EN(A,D)4X24*17**	1.00	1.01	0.96	OMV112K14A
EA*4X30*17A*	1.01	1.02	0.95	OMV098J12A	EN(A,D)4X24*17**	1.02	1.10	0.98	OMV098J12A	EN(A,D)4X24*17**	1.02	1.10	0.98	
EA*4X30*17A*	0.99	1.00	0.95	OMV112K14A	EN(A,D)4X30*14**	1.00	1.01	0.95	OMV112K14A	EN(A,D)4X30*14**	1.00	1.01	0.95	*8MV*0701412**
EA*4X30*17A*	1.02	1.10	0.98		EN(A,D)4X30*14**	1.00	1.02	0.96		EN(A,D)4X30*14**	1.00	1.02	0.96	*8MX*0451408**
EA*4X36*14A*	0.98	0.99	0.95	*8MV*0701412**	EN(A,D)4X30*14**	1.01	1.07	1.01	*8MV*0701412**	EN(A,D)4X30*14**	1.01	1.07	1.01	*9MV*0401410A**
EA*4X36*14A*	1.01	1.02	0.97	*8MX*0451408**	EN(A,D)4X30*14**	1.03	1.08	1.00	*8MX*0451408**	EN(A,D)4X30*14**	1.03	1.08	1.00	*9MX*0401410A**
EA*4X36*14A*	1.00	1.05	1.01	*9MV*0401410A**	EN(A,D)4X30*14**	1.02	1.10	0.98	*9MV*0401410A**	EN(A,D)4X30*14**	1.02	1.10	0.98	
EA*4X36*14A*	1.03	1.07	1.00	*9MX*0401410A**	EN(A,D)4X30*17**	0.99	0.99	0.95	*9MX*0401410A**	EN(A,D)4X30*17**	0.99	0.99	0.95	*8MV*0901716**
EA*4X36*14A*	0.98	1.06	0.98		EN(A,D)4X30*17**	1.00	1.02	0.98		EN(A,D)4X30*17**	1.00	1.02	0.98	*9MA*0601714A**

HEATING Multiplying Factors for other Indoor Combinations (continued)

COOLING INDOOR MODEL	HIGH SPEED CAPACITY	POWER	LOW SPEED CAPACITY	FURNACE MODEL	COOLING INDOOR MODEL	HIGH SPEED CAPACITY	POWER	LOW SPEED CAPACITY	FURNACE MODEL	COOLING INDOOR MODEL	HIGH SPEED CAPACITY	POWER	LOW SPEED CAPACITY	FURNACE MODEL
EA*4X36*17A*	0.98	0.98	0.95	*8MV*0901716**	EN(A,D)4X30*17**	1.00	1.01	1.00	*9MA*0801714A**	EN(A,D)4X30*17**	1.00	1.03	1.01	*9MA*0801714A**
EA*4X36*17A*	0.98	1.00	1.00	*9MA*0601714A**	EN(A,D)4X30*17**	1.02	1.07	1.01	*9MV*0401410A**	EN(A,D)4X30*17**	1.02	1.03	1.01	*9MV*0401410A**
EA*4X36*17A*	0.98	0.99	1.00	*9MA*0801714A**	EN(A,D)4X30*17**	1.00	1.03	1.02	*9MV*0601714A**	EN(A,D)4X30*17**	1.00	0.99	1.02	*9MV*0601714A**
EA*4X36*17A*	1.00	1.04	1.01	*9MV*0401410A**	EN(A,D)4X30*17**	1.00	1.01	1.02	*9MX*0801716A**	EN(A,D)4X30*17**	1.00	0.98	1.02	*9MX*0801716A**
EA*4X36*17A*	0.98	1.00	1.02	*9MV*0601714A**	EN(A,D)4X30*17**	1.01	1.05	1.00	*9MX*0401410A**	EN(A,D)4X30*17**	1.01	1.03	1.00	*9MX*0401410A**
EA*4X36*17A*	0.98	0.98	1.02	*9MV*0801716A**	EN(A,D)4X30*17**	1.02	0.99	1.03	*9MX*0601714A**	EN(A,D)4X30*17**	1.02	0.96	1.03	*9MX*0601714A**
EA*4X36*17A*	1.02	1.05	1.00	*9MX*0401410A**	EN(A,D)4X30*17**	0.99	1.03	0.99	MV08B15**B*	EN(A,D)4X30*17**	0.99	0.98	0.99	MV08B15**B*
EA*4X36*17A*	0.99	0.99	0.99	MV08B15**B*	EN(A,D)4X30*17**	1.00	1.01	0.93	OLV098A12A	EN(A,D)4X30*17**	1.00	1.01	0.93	OLV098A12A
EA*4X36*17A*	1.00	1.00	0.93	OLV098A12A	EN(A,D)4X30*17**	1.01	1.02	0.95	OMV098J12A	EN(A,D)4X30*17**	1.01	1.02	0.95	OMV098J12A
EA*4X36*17A*	1.01	1.01	0.95	OMV098J12A	EN(A,D)4X30*17**	0.99	1.00	0.95	OMV112K14A	EN(A,D)4X30*17**	0.99	1.00	0.95	OMV112K14A
EA*4X36*17A*	0.99	1.00	0.95	OMV112K14A	EN(A,D)4X30*17**	1.02	1.10	0.98		EN(A,D)4X30*17**	1.02	1.10	0.98	
EA*4X36*17A*	0.98	1.06	0.98		EN(A,D)4X36*21**	0.98	0.98	0.98	*8MV*1102120**	EN(A,D)4X36*21**	0.98	0.91	0.98	*8MV*1102120**
EA*4X36*21A*	0.98	0.98	0.98	*8MV*1102120**	EN(A,D)4X36*21**	0.98	0.98	0.98	*9MA*0601714A**	EN(A,D)4X36*21**	0.98	1.01	1.00	*9MA*0601714A**
EA*4X36*21A*	0.98	0.99	1.00	*9MA*0601714A**	EN(A,D)4X36*21**	1.02	1.05	1.00	*9MA*0602120A**	EN(A,D)4X36*21**	1.02	1.01	1.01	*9MA*0602120A**
EA*4X36*21A*	1.02	1.04	0.99	*9MA*0602120A**	EN(A,D)4X36*21**	0.98	0.99	1.00	*9MA*0801714A**	EN(A,D)4X36*21**	0.98	1.00	1.00	*9MA*0801714A**
EA*4X36*21A*	0.98	0.99	1.00	*9MA*0801714A**	EN(A,D)4X36*21**	1.02	1.04	1.03	*9MA*0802120A**	EN(A,D)4X36*21**	1.02	0.98	1.03	*9MA*0802120A**
EA*4X36*21A*	1.02	1.04	1.03	*9MA*0802120A**	EN(A,D)4X36*21**	1.02	1.04	1.03	*9MA*1002122A**	EN(A,D)4X36*21**	1.02	1.04	1.03	*9MA*1002122A**
EA*4X36*21A*	1.02	1.03	1.03	*9MA*1002122A**	EN(A,D)4X36*21**	0.98	1.01	1.02	*9MV*0601714A**	EN(A,D)4X36*21**	0.98	1.01	1.02	*9MV*0601714A**
EA*4X36*21A*	0.98	0.99	1.02	*9MV*0601714A**	EN(A,D)4X36*21**	0.98	0.99	1.02	*9MV*0801716A**	EN(A,D)4X36*21**	0.98	0.97	1.02	*9MV*0801716A**
EA*4X36*21A*	0.99	0.99	1.03	*9MV*0801716A**	EN(A,D)4X36*21**	0.98	0.98	1.03	*9MV*0802120A**	EN(A,D)4X36*21**	0.98	0.96	1.03	*9MV*0802120A**
EA*4X36*21A*	1.00	0.97	1.04	*9MV*0802120A**	EN(A,D)4X36*21**	0.99	0.98	1.04	*9MV*1002120A**	EN(A,D)4X36*21**	0.99	0.98	1.03	*9MV*1002120A**
EA*4X36*21A*	1.01	0.96	1.05	*9MV*1002120A**	EN(A,D)4X36*21**	1.04	1.02	1.03	*9MX*0601714A**	EN(A,D)4X36*21**	1.04	1.02	1.03	*9MX*0601714A**
EA*4X36*21A*	0.99	0.98	1.00	MV12F19**B*	EN(A,D)4X36*21**	0.99	0.99	1.00	MV12F19**B*	EN(A,D)4X36*21**	0.99	0.99	1.00	MV12F19**B*

HEATING Multiplying Factors for other Indoor Combinations (continued)

COOLING INDOOR MODEL	HIGH SPEED CAPACITY	POWER	LOW SPEED CAPACITY	POWER	FURNACE MODEL	COOLING INDOOR MODEL	HIGH SPEED CAPACITY	POWER	LOW SPEED CAPACITY	POWER	FURNACE MODEL
EA*4X36*21A*	0.98	1.06	0.98	1.06		EN(A,D)4X36*21**	0.98	1.06	0.98	1.06	
ED*4X24F**	0.99	1.00	0.99	1.00	MV08B15**B*	EN(A,D,W)4X36*17**	0.98	0.98	0.95	0.94	*8MV*0901716**
ED*4X24F**	0.99	1.00	0.99	1.00	MV12F19**B*	EN(A,D,W)4X36*17**	0.98	1.01	1.00	1.01	*9MA*0601714A**
ED*4X30B**	0.99	1.00	0.99	0.99	MV08B15**B*	EN(A,D,W)4X36*17**	0.98	0.99	1.00	1.00	*9MA*0801714A**
ED*4X30F**	0.99	0.99	0.99	0.98	MV08B15**B*	EN(A,D,W)4X36*17**	1.00	1.05	1.01	1.03	*9MV*0401410A**
ED*4X30F**	0.99	0.99	1.00	1.00	MV12F19**B*	EN(A,D,W)4X36*17**	0.98	1.01	1.02	0.99	*9MV*0601714A**
ED*4X36B**	1.00	1.00	0.99	0.98	MV08B15**B*	EN(A,D,W)4X36*17**	0.98	0.99	1.02	0.98	*9MV*0801716A**
ED*4X36F**	0.98	1.00	1.00	1.01	*9MA*0601714A**	EN(A,D,W)4X36*17**	0.98	1.02	1.00	1.03	*9MX*0401410A**
ED*4X36F**	0.98	0.99	1.00	1.00	*9MA*0801714A**	EN(A,D,W)4X36*17**	0.98	0.96	1.03	0.96	*9MX*0601714A**
ED*4X36F**	0.98	1.00	1.02	0.98	*9MV*0601714A**	EN(A,D,W)4X36*17**	0.99	0.99	0.99	0.98	MV08B15**B*
ED*4X36F**	0.98	0.98	1.02	0.97	*9MV*0801716A**	EN(A,D,W)4X36*17**	0.98	0.99	0.93	1.01	OLV098A12A
ED*4X36F**	0.99	0.99	0.99	0.98	MV08B15**B*	EN(A,D,W)4X36*17**	0.98	0.99	0.95	0.95	OMV098J12A
ED*4X36F**	0.99	0.99	1.00	0.99	MV12F19**B*	EN(A,D,W)4X36*17**	0.98	0.99	0.95	0.94	OMV112K14A
ED*4X36F**	0.98	1.06	0.98	1.06		EN(A,D,W)4X36*17**	0.98	1.06	0.98	1.06	
ED*4X36J**	0.99	0.98	1.00	0.99	MV12F19**B*	ENH4X24*17**	1.00	1.00	0.95	0.95	*8MV*0701412**
EHD4X24A**	1.00	1.00	0.95	0.95	*8MV*0701412**	ENH4X24*17**	1.00	0.99	0.95	0.95	*8MV*0901716**
EHD4X24A**	1.00	1.00	0.95	0.95	*8MV*0901716**	ENH4X24*17**	1.01	1.01	0.99	0.93	*8MV*1102120**
EHD4X24A**	1.01	1.01	0.99	0.93	*8MV*1102120**	ENH4X24*17**	1.00	1.00	0.98	0.92	*8MV*1352422**
EHD4X24A**	1.00	1.00	0.98	0.93	*8MV*1352422**	ENH4X24*17**	1.01	1.02	0.95	0.97	*8MX*0451408**
EHD4X24A**	1.00	1.02	0.95	0.97	*8MX*0451408**	ENH4X24*17**	1.00	1.02	1.00	1.02	*9MA*0601714A**
EHD4X24A**	1.00	1.02	1.01	1.02	*9MA*0601714A**	ENH4X24*17**	1.01	1.02	1.00	1.01	*9MA*0801714A**
EHD4X24A**	1.04	1.07	1.01	1.03	*9MA*0602120A**	ENH4X24*17**	1.00	1.01	1.03	0.99	*9MA*1202422A**
EHD4X24A**	1.01	1.02	1.00	1.01	*9MA*0801714A**	ENH4X24*17**	1.02	1.07	1.01	1.06	*9MV*0401410A**

HEATING Multiplying Factors for other Indoor Combinations (continued)

COOLING INDOOR MODEL	HIGH SPEED CAPACITY	POWER	LOW SPEED CAPACITY	POWER	FURNACE MODEL	COOLING INDOOR MODEL	HIGH SPEED CAPACITY	POWER	LOW SPEED CAPACITY	POWER	FURNACE MODEL
EHD4X24A**	1.04	1.07	1.03	1.00	*9MA*0802120A**	ENH4X24*17**	0.99	1.02	1.00	1.02	*9MV*0601714A**
EHD4X24A**	1.04	1.06	1.03	1.00	*9MA*1002122A**	ENH4X24*17**	1.00	1.03	1.01	1.01	*9MV*0801716A**
EHD4X24A**	1.00	1.01	1.03	0.99	*9MA*1202422A**	ENH4X24*17**	0.99	1.02	1.00	1.00	*9MV*1202422A**
EHD4X24A**	1.01	1.08	1.00	1.06	*9MV*0401410A**	ENH4X24*17**	1.01	1.05	1.06	1.06	*9MX*0401410A**
EHD4X24A**	0.99	1.04	0.99	1.03	*9MV*0601714A**	ENH4X24*17**	1.01	0.99	1.03	0.99	*9MX*0601714A**
EHD4X24A**	0.99	1.03	1.00	1.02	*9MV*0801716A**	ENH4X24*17**	1.00	0.99	0.99	0.99	MV08B15**B*
EHD4X24A**	0.98	1.03	1.01	1.01	*9MV*0802120A**	ENH4X24*17**	1.01	1.01	1.02	1.02	OLV098A12A
EHD4X24A**	0.98	1.03	1.01	1.01	*9MV*1002120A**	ENH4X24*17**	1.02	1.03	0.96	0.96	OMV098J12A
EHD4X24A**	0.99	1.03	1.01	1.01	*9MV*1202422A**	ENH4X24*17**	1.00	1.01	0.96	0.96	OMV112K14A
EHD4X24A**	1.01	1.05	0.99	1.07	*9MX*0401410A**	ENH4X24*17**	1.02	1.10	1.07	1.07	
EHD4X24A**	1.01	0.99	1.03	0.99	*9MX*0601714A**	ENH4X30*17**	1.00	1.01	0.94	0.94	*8MV*0701412**
EHD4X24A**	1.00	0.99	1.00	1.00	MV08B15**B*	ENH4X30*17**	0.99	0.99	0.94	0.94	*8MV*0901716**
EHD4X24A**	1.00	0.99	1.00	1.01	MV12F19**B*	ENH4X30*17**	1.00	1.00	0.91	0.91	*8MV*1102120**
EHD4X24A**	1.01	1.02	0.93	1.02	OLV098A12A	ENH4X30*17**	0.99	0.99	0.91	0.91	*8MV*1352422**
EHD4X24A**	1.02	1.03	0.95	0.97	OMV098J12A	ENH4X30*17**	1.01	1.01	0.95	0.95	*8MX*0451408**
EHD4X24A**	1.00	1.02	0.96	0.96	OMV112K14A	ENH4X30*17**	1.00	1.02	1.01	1.01	*9MA*0601714A**
EHD4X24A**	1.02	1.10	0.98	1.06		ENH4X30*17**	1.00	1.01	1.00	1.00	*9MA*0801714A**
EHD4X30A**	1.00	0.99	0.95	0.95	*8MV*0701412**	ENH4X30*17**	1.00	1.01	0.97	0.97	*9MA*1202422A**
EHD4X30A**	1.00	0.99	0.95	0.94	*8MV*0901716**	ENH4X30*17**	1.02	1.07	1.03	1.03	*9MV*0401410A**
EHD4X30A**	1.00	0.99	0.99	0.92	*8MV*1102120**	ENH4X30*17**	1.00	1.03	0.99	0.99	*9MV*0601714A**
EHD4X30A**	1.00	0.99	0.98	0.91	*8MV*1352422**	ENH4X30*17**	1.00	1.01	0.98	0.98	*9MV*0801716A**
EHD4X30A**	1.01	1.01	0.96	0.96	*8MX*0451408**	ENH4X30*17**	1.00	1.00	0.96	0.96	*9MV*1202422A**
EHD4X30A**	1.00	1.01	1.00	1.01	*9MA*0601714A**	ENH4X30*17**	1.01	1.05	1.03	1.03	*9MX*0401410A**

HEATING Multiplying Factors for other Indoor Combinations (continued)

COOLING INDOOR MODEL	HIGH SPEED CAPACITY	POWER	LOW SPEED CAPACITY	POWER	FURNACE MODEL	COOLING INDOOR MODEL	HIGH SPEED CAPACITY	POWER	LOW SPEED CAPACITY	POWER	FURNACE MODEL
EHD4X30A**	1.04	1.06	1.01	1.02	*9MA*0602120A**	ENH4X30*17**	1.02	0.99	1.03	0.96	*9MX*0601714A**
EHD4X30A**	1.01	1.01	1.00	1.00	*9MA*0801714A**	ENH4X30*17**	0.99	0.99	0.99	0.98	MV08B15**B*
EHD4X30A**	1.04	1.06	1.03	0.99	*9MA*0802120A**	ENH4X30*17**	1.00	1.01	0.93	1.01	OLV098A12A
EHD4X30A**	1.04	1.05	1.03	0.99	*9MA*1002122A**	ENH4X30*17**	1.01	1.02	0.95	0.95	OMV098J12A
EHD4X30A**	1.00	1.00	1.03	0.97	*9MA*1202422A**	ENH4X30*17**	0.99	1.00	0.95	0.94	OMV112K14A
EHD4X30A**	1.02	1.06	1.01	1.04	*9MV*0401410A**	ENH4X30*17**	1.02	1.10	0.98	1.06	
EHD4X30A**	1.00	1.02	1.01	1.00	*9MV*0601714A**	ENH4X36*17**	0.98	0.99	0.95	0.94	*8MV*0701412**
EHD4X30A**	1.00	1.01	1.01	0.99	*9MV*0801716A**	ENH4X36*17**	0.98	0.98	0.95	0.94	*8MV*0901716**
EHD4X30A**	1.00	1.01	1.02	0.97	*9MV*0802120A**	ENH4X36*17**	0.98	0.98	0.98	0.91	*8MV*1102120**
EHD4X30A**	1.01	1.00	1.03	0.97	*9MV*1002120A**	ENH4X36*17**	0.98	0.98	0.98	0.91	*8MV*1352422**
EHD4X30A**	1.00	1.01	1.02	0.97	*9MV*1202422A**	ENH4X36*17**	0.98	0.99	0.97	0.95	*8MX*0451408**
EHD4X30A**	1.02	1.04	1.00	1.04	*9MX*0401410A**	ENH4X36*17**	0.98	1.01	1.00	1.01	*9MA*0601714A**
EHD4X30A**	1.02	0.98	1.03	0.97	*9MX*0601714A**	ENH4X36*17**	0.98	0.99	1.00	1.00	*9MA*0801714A**
EHD4X30A**	1.00	0.99	0.99	0.98	MV08B15**B*	ENH4X36*17**	0.98	0.99	1.03	0.97	*9MA*1202422A**
EHD4X30A**	1.00	0.98	1.00	1.00	MV12F19**B*	ENH4X36*17**	1.00	1.05	1.01	1.03	*9MV*0401410A**
EHD4X30A**	1.01	1.00	0.93	1.01	OLV098A12A	ENH4X36*17**	0.98	1.01	1.02	0.99	*9MV*0601714A**
EHD4X30A**	1.02	1.02	0.95	0.96	OMV098J12A	ENH4X36*17**	0.98	0.99	1.02	0.98	*9MV*0801716A**
EHD4X30A**	1.00	1.00	0.96	0.95	OMV112K14A	ENH4X36*17**	0.98	0.98	1.03	0.96	*9MV*1202422A**
EHD4X30A**	1.02	1.09	0.98	1.07		ENH4X36*17**	0.98	1.02	1.00	1.03	*9MX*0401410A**
EHD4X36A**	0.98	0.96	0.95	0.94	*8MV*0701412**	ENH4X36*17**	0.98	0.96	1.03	0.96	*9MX*0601714A**
EHD4X36A**	0.98	0.96	0.95	0.94	*8MV*0901716**	ENH4X36*17**	0.99	0.99	0.99	0.98	MV08B15**B*
EHD4X36A**	0.98	0.96	0.99	0.90	*8MV*1102120**	ENH4X36*17**	0.98	0.99	0.93	1.01	OLV098A12A
EHD4X36A**	0.98	0.96	0.98	0.90	*8MV*1352422**	ENH4X36*17**	0.98	0.99	0.95	0.95	OMV098J12A

HEATING Multiplying Factors for other Indoor Combinations (continued)

COOLING INDOOR MODEL	HIGH SPEED CAPACITY	POWER	LOW SPEED CAPACITY	POWER	FURNACE MODEL	COOLING INDOOR MODEL	HIGH SPEED CAPACITY	POWER	LOW SPEED CAPACITY	POWER	FURNACE MODEL
EHD4X36A**	0.98	0.96	0.97	0.94	*8MX*0451408**	EHD4X36*17**	0.98	0.99	0.95	0.94	OMV112K14A
EHD4X36A**	0.98	0.98	1.01	1.00	*9MA*0601714A**	EHD4X36*17**	0.98	1.06	0.98	1.06	
EHD4X36A**	1.02	1.03	1.01	1.01	*9MA*0602120A**	FCM4X24***	1.00	1.00	0.95	0.95	
EHD4X36A**	0.98	0.97	1.01	1.00	*9MA*0801714A**	FCM4X36****	0.99	0.99	0.95	0.94	
EHD4X36A**	1.02	1.02	1.03	0.97	*9MA*0802120A**	FVM4X36****	0.99	0.99	0.95	0.94	
(H,C,T)CH6 36											
*FVM4X60****	1.00	1.00	1.00	1.00		EHD4X48A**	1.01	1.06	1.00	1.04	*8MV*0701412**
EA*4X36*14A*	0.99	1.10	0.99	1.07	*8MV*0701412**	EHD4X48A**	1.00	1.04	1.00	1.03	*8MV*0901716**
EA*4X36*14A*	1.00	1.14	0.98	1.09	*8MX*0451408**	EHD4X48A**	1.00	1.04	1.00	1.03	*8MV*1102120**
EA*4X36*14A*	1.01	1.16	1.02	1.17		EHD4X48A**	1.00	1.03	1.00	1.03	*8MV*1352422**
EA*4X36*17A*	0.99	1.10	0.99	1.07	*8MV*0701412**	EHD4X48A**	1.02	1.09	0.98	1.06	*8MX*0451408**
EA*4X36*17A*	0.98	1.07	0.98	1.05	*8MV*0901716**	EHD4X48A**	1.01	1.07	1.03	1.06	*8MX*0701716**
EA*4X36*17A*	1.00	1.13	0.98	1.09	*8MX*0451408**	EHD4X48A**	1.01	1.04	1.02	1.04	*8MX*0902116**
EA*4X36*17A*	0.99	1.12	1.01	1.08	*8MX*0701716**	EHD4X48A**	1.00	1.07	1.01	1.07	*9MA*0601714A**
EA*4X36*17A*	0.98	1.11	0.99	1.08	*9MA*0601714A**	EHD4X48A**	1.03	1.05	1.03	1.07	*9MA*0602120A**
EA*4X36*17A*	0.99	1.11	0.99	1.07	*9MA*0801714A**	EHD4X48A**	1.01	1.07	1.01	1.06	*9MA*0801714A**
EA*4X36*17A*	0.99	1.12	1.02	1.10	*9MV*0601714A**	EHD4X48A**	1.03	1.03	1.02	1.05	*9MA*0802120A**
EA*4X36*17A*	0.99	1.10	0.98	1.09	*9MV*0801716A**	EHD4X48A**	1.03	1.03	1.02	1.04	*9MA*1002122A**
EA*4X36*17A*	0.99	1.11	0.97	1.09	*9MX*0601714A**	EHD4X48A**	1.00	1.05	1.00	1.04	*9MA*1202422A**
EA*4X36*17A*	0.99	1.10	1.02	1.08	*9MX*0801716A**	EHD4X48A**	1.01	1.08	0.99	1.08	*9MV*0601714A**
EA*4X36*17A*	0.98	1.07	0.98	1.05	MV08B15**B*	EHD4X48A**	1.01	1.06	0.99	1.07	*9MV*0801716A**
EA*4X36*17A*	0.99	1.12	0.91	1.10	OLV098A12A	EHD4X48A**	0.98	1.06	1.00	1.05	*9MV*0802120A**
EA*4X36*17A*	0.99	1.12	0.96	1.09	OMV098J12A	EHD4X48A**	0.98	1.06	0.99	1.04	*9MV*1002120A**

HEATING Multiplying Factors for other Indoor Combinations (continued)

COOLING INDOOR MODEL	HIGH SPEED CAPACITY	POWER	LOW SPEED CAPACITY	POWER	FURNACE MODEL	COOLING INDOOR MODEL	HIGH SPEED CAPACITY	POWER	LOW SPEED CAPACITY	POWER	FURNACE MODEL
EA*4X36*17A*	0.99	1.10	0.98	1.06	OMV112K14A	EHD4X48A**	0.98	1.06	1.02	1.05	*9MV*1202422A**
EA*4X36*17A*	1.01	1.16	1.02	1.17		EHD4X48A**	1.01	1.07	0.98	1.07	*9MX*0601714A**
EA*4X36*21A*	0.98	1.07	0.98	1.04	*8MV*0901716**	EHD4X48A**	1.01	1.07	1.03	1.06	*9MX*0801716A**
EA*4X36*21A*	0.98	1.07	0.98	1.05	*8MV**1102120**	EHD4X48A**	1.00	1.04	1.00	1.03	MV08B15**B*
EA*4X36*21A*	0.99	1.10	1.01	1.08	*8MX*0701716**	EHD4X48A**	0.99	1.02	1.00	1.02	MV12F19**B*
EA*4X36*21A*	0.99	1.07	1.01	1.06	*8MX*0902116**	EHD4X48A**	0.99	1.02	1.00	1.03	MV16J22**B*
EA*4X36*21A*	0.98	1.10	0.99	1.08	*9MA*0601714A**	EHD4X48A**	0.99	1.02	1.00	1.03	MV20L24**B*
EA*4X36*21A*	1.02	1.09	1.01	1.08	*9MA*0602120A**	EHD4X48A**	1.01	1.09	0.92	1.08	OLV098A12A
EA*4X36*21A*	0.99	1.10	0.99	1.07	*9MA*0801714A**	EHD4X48A**	1.01	1.06	1.01	1.04	OLV112A16A
EA*4X36*21A*	1.01	1.06	1.01	1.07	*9MA*0802120A**	EHD4X48A**	1.02	1.03	1.03	1.02	OLV154F20A
EA*4X36*21A*	1.01	1.06	1.01	1.07	*9MA*1002122A**	EHD4X48A**	1.01	1.09	0.97	1.07	OMV098J12A
EA*4X36*21A*	0.99	1.12	0.98	1.09	*9MV*0601714A**	EHD4X48A**	1.01	1.06	1.00	1.04	OMV112K14A
EA*4X36*21A*	0.99	1.10	0.98	1.08	*9MV*0801716A**	EHD4X48A**	1.02	1.12	1.03	1.15	
EA*4X36*21A*	0.97	1.09	0.99	1.06	*9MV*0802120A**	EN(A,D)4X36*21**	0.98	1.08	0.98	1.05	*8MV*0901716**
EA*4X36*21A*	0.97	1.09	0.98	1.06	*9MV**1002120A**	EN(A,D)4X36*21**	0.98	1.08	0.99	1.06	*8MV**1102120**
EA*4X36*21A*	0.99	1.11	0.97	1.08	*9MX*0601714A**	EN(A,D)4X36*21**	0.99	1.12	1.01	1.09	*8MX*0701716**
EA*4X36*21A*	0.99	1.10	1.02	1.07	*9MX*0801716A**	EN(A,D)4X36*21**	0.98	1.08	1.01	1.08	*8MX*0902116**
EA*4X36*21A*	0.98	1.06	0.98	1.03	MV12F19**B*	EN(A,D)4X36*21**	0.98	1.12	1.00	1.10	*9MA*0601714A**
EA*4X36*21A*	0.99	1.12	0.91	1.10	OLV098A12A	EN(A,D)4X36*21**	1.02	1.10	1.02	1.10	*9MA*0602120A**
EA*4X36*21A*	0.99	1.10	1.00	1.06	OLV112A16A	EN(A,D)4X36*21**	0.99	1.11	0.99	1.08	*9MA*0801714A**
EA*4X36*21A*	0.99	1.12	0.96	1.09	OMV098J12A	EN(A,D)4X36*21**	1.01	1.07	1.01	1.08	*9MA*0802120A**
EA*4X36*21A*	0.99	1.10	0.98	1.06	OMV112K14A	EN(A,D)4X36*21**	1.01	1.07	1.01	1.08	*9MA*1002122A**
EA*4X36*21A*	1.01	1.16	1.02	1.17		EN(A,D)4X36*21**	0.99	1.12	0.98	1.11	*9MV*0601714A**

HEATING Multiplying Factors for other Indoor Combinations (continued)

COOLING INDOOR MODEL	HIGH SPEED CAPACITY	POWER	LOW SPEED CAPACITY	FURNACE MODEL	COOLING INDOOR MODEL	HIGH SPEED CAPACITY	POWER	LOW SPEED CAPACITY	FURNACE MODEL	COOLING INDOOR MODEL	HIGH SPEED CAPACITY	POWER	LOW SPEED CAPACITY	FURNACE MODEL
EA*4X42*21A*	0.99	1.06	0.99	*8MV*0901716**	EN(A,D)4X36*21**	0.99	1.11	0.98	*9MV*0801716A**	EN(A,D)4X36*21**	0.99	1.11	0.98	*9MV*0801716A**
EA*4X42*21A*	0.99	1.06	0.99	*8MV*1102120**	EN(A,D)4X36*21**	0.97	1.11	0.98	*9MV*0802120A**	EN(A,D)4X36*21**	0.97	1.11	0.98	*9MV*0802120A**
EA*4X42*21A*	1.00	1.10	1.02	*8MX*0701716**	EN(A,D)4X36*21**	0.96	1.11	0.98	*9MV*1002120A**	EN(A,D)4X36*21**	0.96	1.11	0.98	*9MV*1002120A**
EA*4X42*21A*	0.99	1.06	1.02	*8MX*0902116**	EN(A,D)4X36*21**	0.99	1.12	0.97	*9MX*0601714A**	EN(A,D)4X36*21**	0.99	1.12	0.97	*9MX*0601714A**
EA*4X42*21A*	0.99	1.10	1.00	*9MA*0601714A**	EN(A,D)4X36*21**	0.99	1.12	1.02	*9MX*0801716A**	EN(A,D)4X36*21**	0.99	1.12	1.02	*9MX*0801716A**
EA*4X42*21A*	1.02	1.07	1.02	*9MA*0602120A**	EN(A,D)4X36*21**	0.98	1.07	0.98	MV12F19**B*	EN(A,D)4X36*21**	0.98	1.07	0.98	MV12F19**B*
EA*4X42*21A*	0.99	1.09	0.99	*9MA*0801714A**	EN(A,D)4X36*21**	0.99	1.13	0.91	OLV098A12A	EN(A,D)4X36*21**	0.99	1.13	0.91	OLV098A12A
EA*4X42*21A*	1.01	1.05	1.01	*9MA*0802120A**	EN(A,D)4X36*21**	0.99	1.11	1.00	OLV112A16A	EN(A,D)4X36*21**	0.99	1.11	1.00	OLV112A16A
EA*4X42*21A*	1.01	1.05	1.01	*9MA*1002122A**	EN(A,D)4X36*21**	0.99	1.13	0.96	OMV098J12A	EN(A,D)4X36*21**	0.99	1.13	0.96	OMV098J12A
EA*4X42*21A*	1.00	1.11	0.98	*9MV*0601714A**	EN(A,D)4X36*21**	0.99	1.11	0.98	OMV112K14A	EN(A,D)4X36*21**	0.99	1.11	0.98	OMV112K14A
EA*4X42*21A*	0.99	1.09	0.98	*9MV*0801716A**	EN(A,D)4X36*21**	1.00	1.15	1.02		EN(A,D)4X36*21**	1.00	1.15	1.02	
EA*4X42*21A*	0.97	1.08	0.99	*9MV*0802120A**	EN(A,D)4X48*24**	0.99	1.04	1.00	*8MV*1102120**	EN(A,D)4X48*24**	0.99	1.04	1.00	*8MV*1102120**
EA*4X42*21A*	0.97	1.09	0.99	*9MV*1002120A**	EN(A,D)4X48*24**	0.99	1.03	0.99	*8MV*1352422**	EN(A,D)4X48*24**	0.99	1.03	0.99	*8MV*1352422**
EA*4X42*21A*	0.99	1.10	0.98	*9MX*0601714A**	EN(A,D)4X48*24**	1.00	1.04	1.03	*8MX*0902116**	EN(A,D)4X48*24**	1.00	1.04	1.03	*8MX*0902116**
EA*4X42*21A*	0.99	1.09	1.03	*9MX*0801716A**	EN(A,D)4X48*24**	1.03	1.05	1.03	*9MA*0602120A**	EN(A,D)4X48*24**	1.03	1.05	1.03	*9MA*0602120A**
EA*4X42*21A*	0.98	1.05	0.98	MV12F19**B*	EN(A,D)4X48*24**	1.02	1.03	1.02	*9MA*0802120A**	EN(A,D)4X48*24**	1.02	1.03	1.02	*9MA*0802120A**
EA*4X42*21A*	0.99	1.11	0.91	OLV098A12A	EN(A,D)4X48*24**	1.02	1.03	1.02	*9MA*1002122A**	EN(A,D)4X48*24**	1.02	1.03	1.02	*9MA*1002122A**
EA*4X42*21A*	1.00	1.09	1.00	OLV112A16A	EN(A,D)4X48*24**	0.99	1.04	1.00	*9MA*1202422A**	EN(A,D)4X48*24**	0.99	1.04	1.00	*9MA*1202422A**
EA*4X42*21A*	0.99	1.10	0.96	OMV098J12A	EN(A,D)4X48*24**	0.98	1.06	1.00	*9MV*0802120A**	EN(A,D)4X48*24**	0.98	1.06	1.00	*9MV*0802120A**
EA*4X42*21A*	0.99	1.09	0.99	OMV112K14A	EN(A,D)4X48*24**	0.98	1.06	1.00	*9MV*1002120A**	EN(A,D)4X48*24**	0.98	1.06	1.00	*9MV*1002120A**
EA*4X42*21A*	1.01	1.15	1.02		EN(A,D)4X48*24**	0.98	1.05	1.02	*9MV*1202422A**	EN(A,D)4X48*24**	0.98	1.05	1.02	*9MV*1202422A**
EA*4X42*24A*	0.99	1.06	0.99	*8MV*1102120**	EN(A,D)4X48*24**	0.99	1.02	1.00	MV16J22**B*	EN(A,D)4X48*24**	0.99	1.02	1.00	MV16J22**B*
EA*4X42*24A*	0.98	1.05	0.99	*8MV*1352422**	EN(A,D)4X48*24**	0.99	1.02	1.00	MV20L24**B*	EN(A,D)4X48*24**	0.99	1.02	1.00	MV20L24**B*

HEATING Multiplying Factors for other Indoor Combinations (continued)

COOLING INDOOR MODEL	HIGH SPEED CAPACITY	POWER	LOW SPEED CAPACITY	POWER	FURNACE MODEL	COOLING INDOOR MODEL	HIGH SPEED CAPACITY	POWER	LOW SPEED CAPACITY	POWER	FURNACE MODEL
EA*4X42*24A*	0.99	1.06	1.02	1.05	*8MX*0902116**	EN(A,D)4X48*24**	1.01	1.06	1.01	1.04	OLV112A16A
EA*4X42*24A*	1.02	1.07	1.02	1.08	*9MA*0602120A**	EN(A,D)4X48*24**	1.02	1.12	1.03	1.16	
EA*4X42*24A*	1.01	1.05	1.01	1.06	*9MA*0802120A**	EN(A,D,W)4X36*17**	0.99	1.1	0.99	1.07	*8MV*0701412**
EA*4X42*24A*	1.01	1.05	1.01	1.06	*9MA*1002122A**	EN(A,D,W)4X36*17**	0.98	1.08	0.99	1.06	*8MV*0901716**
EA*4X42*24A*	0.99	1.07	0.99	1.05	*9MA*1202422A**	EN(A,D,W)4X36*17**	1.00	1.14	0.98	1.09	*8MX*0451408**
EA*4X42*24A*	0.97	1.08	0.99	1.05	*9MV*0802120A**	EN(A,D,W)4X36*17**	0.99	1.12	1.01	1.09	*8MX*0701716**
EA*4X42*24A*	0.97	1.08	0.99	1.06	*9MV*1002120A**	EN(A,D,W)4X36*17**	0.99	1.13	1.00	1.10	*9MA*0601714A**
EA*4X42*24A*	0.98	1.08	1.01	1.06	*9MV*1202422A**	EN(A,D,W)4X36*17**	0.99	1.12	0.99	1.08	*9MA*0801714A**
EA*4X42*24A*	0.98	1.05	0.99	1.04	MV16J22**B*	EN(A,D,W)4X36*17**	0.99	1.13	0.98	1.11	*9MV*0601714A**
EA*4X42*24A*	0.98	1.05	0.99	1.04	MV20L24**B*	EN(A,D,W)4X36*17**	0.99	1.11	0.98	1.10	*9MV*0801716A**
EA*4X42*24A*	0.99	1.08	1.00	1.06	OLV112A16A	EN(A,D,W)4X36*17**	0.99	1.12	0.97	1.10	*9MX*0601714A**
EA*4X42*24A*	1.01	1.15	1.02	1.17		EN(A,D,W)4X36*17**	0.99	1.12	1.02	1.09	*9MX*0801716A**
EA*4X48*17A*	1.01	1.05	1.00	1.04	*8MV*0701412**	EN(A,D,W)4X36*17**	0.98	1.08	0.98	1.05	MV08B15**B*
EA*4X48*17A*	1.00	1.04	1.00	1.03	*8MV*0901716**	EN(A,D,W)4X36*17**	0.99	1.13	0.91	1.10	OLV098A12A
EA*4X48*17A*	1.02	1.09	0.99	1.07	*8MX*0451408**	EN(A,D,W)4X36*17**	0.99	1.13	0.96	1.09	OMV098J12A
EA*4X48*17A*	1.01	1.07	1.03	1.06	*8MX*0701716**	EN(A,D,W)4X36*17**	0.99	1.11	0.98	1.07	OMV112K14A
EA*4X48*17A*	1.01	1.07	1.01	1.06	*9MA*0601714A**	EN(A,D,W)4X36*17**	1.00	1.15	1.02	1.18	
EA*4X48*17A*	1.01	1.07	1.01	1.06	*9MA*0801714A**	EN(A,D,W)4X42*21**	0.99	1.06	0.99	1.04	*8MV*0901716**
EA*4X48*17A*	1.01	1.08	0.99	1.08	*9MV*0601714A**	EN(A,D,W)4X42*21**	0.99	1.07	0.99	1.05	*8MV*1102120**
EA*4X48*17A*	1.01	1.06	0.99	1.07	*9MV*0801716A**	EN(A,D,W)4X42*21**	0.99	1.07	1.01	1.06	*8MX*0902116**
EA*4X48*17A*	1.01	1.07	0.98	1.07	*9MX*0601714A**	EN(A,D,W)4X42*21**	0.99	1.10	1.00	1.08	*9MA*0601714A**
EA*4X48*17A*	1.01	1.07	1.03	1.06	*9MX*0801716A**	EN(A,D,W)4X42*21**	1.02	1.08	1.02	1.08	*9MA*0602120A**
EA*4X48*17A*	1.00	1.03	1.00	1.02	MV08B15**B*	EN(A,D,W)4X42*21**	0.99	1.09	1.00	1.07	*9MA*0801714A**

HEATING Multiplying Factors for other Indoor Combinations (continued)

COOLING INDOOR MODEL	HIGH SPEED CAPACITY	POWER	LOW SPEED CAPACITY	POWER	FURNACE MODEL	COOLING INDOOR MODEL	HIGH SPEED CAPACITY	POWER	LOW SPEED CAPACITY	POWER	FURNACE MODEL
EA*4X48*17A*	1.01	1.08	0.93	1.09	OLV098A12A	EN(A,D,W)4X42*21**	1.02	1.06	1.02	1.07	*9MA*0802120A**
EA*4X48*17A*	1.01	1.08	0.97	1.06	OMV098J12A	EN(A,D,W)4X42*21**	1.02	1.06	1.02	1.07	*9MA*1002122A**
EA*4X48*17A*	1.01	1.06	1.00	1.04	OMV112K14A	EN(A,D,W)4X42*21**	1.00	1.11	0.98	1.09	*9MV*0601714A**
EA*4X48*17A*	1.02	1.12	1.03	1.15		EN(A,D,W)4X42*21**	0.99	1.09	0.98	1.09	*9MV*0801716A**
EA*4X48*21A*	0.99	1.04	1.00	1.04	*8MV*0901716**	EN(A,D,W)4X42*21**	0.97	1.09	0.98	1.06	*9MV*0802120A**
EA*4X48*21A*	0.99	1.04	1.00	1.04	*8MV*1102120**	EN(A,D,W)4X42*21**	0.97	1.09	0.98	1.07	*9MV*1002120A**
EA*4X48*21A*	1.01	1.07	1.03	1.07	*8MX*0701716**	EN(A,D,W)4X42*21**	0.99	1.10	0.97	1.08	*9MX*0601714A**
EA*4X48*21A*	1.00	1.04	1.02	1.04	*8MX*0902116**	EN(A,D,W)4X42*21**	0.99	1.10	1.03	1.08	*9MX*0801716A**
EA*4X48*21A*	1.00	1.08	1.01	1.07	*9MA*0601714A**	EN(A,D,W)4X42*21**	0.99	1.06	0.99	1.03	MV12F19**B*
EA*4X48*21A*	1.03	1.06	1.02	1.06	*9MA*0602120A**	EN(A,D,W)4X42*21**	0.99	1.12	0.92	1.10	OLV098A12A
EA*4X48*21A*	1.00	1.07	1.00	1.05	*9MA*0801714A**	EN(A,D,W)4X42*21**	1.00	1.09	1.01	1.07	OLV112A16A
EA*4X48*21A*	1.02	1.04	1.02	1.05	*9MA*0802120A**	EN(A,D,W)4X42*21**	1.00	1.12	0.96	1.08	OMV098J12A
EA*4X48*21A*	1.02	1.03	1.02	1.05	*9MA*1002122A**	EN(A,D,W)4X42*21**	0.99	1.09	0.99	1.06	OMV112K14A
EA*4X48*21A*	1.01	1.09	0.98	1.08	*9MV*0601714A**	EN(A,D,W)4X42*21**	1.01	1.14	1.02	1.17	
EA*4X48*21A*	1.01	1.07	0.99	1.07	*9MV*0801716A**	EN(A,D,W)4X48*21**	0.99	1.04	1.00	1.03	*8MV*0901716**
EA*4X48*21A*	0.98	1.06	1.00	1.05	*9MV*0802120A**	EN(A,D,W)4X48*21**	0.99	1.04	1.00	1.03	*8MV*1102120**
EA*4X48*21A*	0.98	1.07	0.99	1.04	*9MV*1002120A**	EN(A,D,W)4X48*21**	1.01	1.07	1.03	1.06	*8MX*0701716**
EA*4X48*21A*	1.01	1.08	0.98	1.06	*9MX*0601714A**	EN(A,D,W)4X48*21**	1.00	1.04	1.03	1.04	*8MX*0902116**
EA*4X48*21A*	1.01	1.07	1.03	1.06	*9MX*0801716A**	EN(A,D,W)4X48*21**	1.00	1.07	1.01	1.06	*9MA*0601714A**
EA*4X48*21A*	0.99	1.03	0.99	1.02	MV12F19**B*	EN(A,D,W)4X48*21**	1.03	1.05	1.03	1.07	*9MA*0602120A**
EA*4X48*21A*	1.00	1.09	0.92	1.09	OLV098A12A	EN(A,D,W)4X48*21**	1.00	1.06	1.00	1.05	*9MA*0801714A**
EA*4X48*21A*	1.01	1.07	1.01	1.05	OLV112A16A	EN(A,D,W)4X48*21**	1.02	1.03	1.02	1.05	*9MA*0802120A**
EA*4X48*21A*	1.01	1.09	0.97	1.07	OMV098J12A	EN(A,D,W)4X48*21**	1.02	1.03	1.02	1.04	*9MA*1002122A**

HEATING Multiplying Factors for other Indoor Combinations (continued)

COOLING INDOOR MODEL	HIGH SPEED CAPACITY	POWER	LOW SPEED CAPACITY	POWER	FURNACE MODEL	COOLING INDOOR MODEL	HIGH SPEED CAPACITY	POWER	LOW SPEED CAPACITY	POWER	FURNACE MODEL
EA*4X48*21A*	1.00	1.07	0.99	1.04	OMV112K14A	EN(A,D,W)4X48*21**	0.99	1.09	1.01	1.08	*9MV*0601714A**
EA*4X48*21A*	1.02	1.13	1.03	1.16		EN(A,D,W)4X48*21**	0.99	1.07	1.01	1.06	*9MV*0801716A**
EA*4X48*24A*	0.99	1.04	1.00	1.03	*8MV*1102120**	EN(A,D,W)4X48*21**	0.98	1.06	1.00	1.04	*9MV*0802120A**
EA*4X48*24A*	0.99	1.03	0.99	1.02	*8MV*1352422**	EN(A,D,W)4X48*21**	0.98	1.06	1.00	1.04	*9MV*1002120A**
EA*4X48*24A*	1.00	1.04	1.02	1.03	*8MX*0902116**	EN(A,D,W)4X48*21**	1.01	1.07	0.98	1.06	*9MX*0601714A**
EA*4X48*24A*	1.03	1.05	1.02	1.06	*9MA*0602120A**	EN(A,D,W)4X48*21**	1.01	1.07	1.03	1.06	*9MX*0801716A**
EA*4X48*24A*	1.02	1.04	1.02	1.05	*9MA*0802120A**	EN(A,D,W)4X48*21**	0.99	1.02	0.99	1.01	MV12F19**B*
EA*4X48*24A*	1.02	1.03	1.02	1.05	*9MA*1002122A**	EN(A,D,W)4X48*21**	1.00	1.08	0.93	1.09	OLV098A12A
EA*4X48*24A*	0.99	1.05	1.00	1.04	*9MA*1202422A**	EN(A,D,W)4X48*21**	1.01	1.06	1.01	1.04	OLV112A16A
EA*4X48*24A*	0.98	1.07	1.00	1.04	*9MV*0802120A**	EN(A,D,W)4X48*21**	1.01	1.09	0.97	1.07	OMV098J12A
EA*4X48*24A*	0.98	1.06	1.00	1.05	*9MV*1002120A**	EN(A,D,W)4X48*21**	1.00	1.06	1.00	1.04	OMV112K14A
EA*4X48*24A*	0.98	1.05	1.02	1.04	*9MV*1202422A**	EN(A,D,W)4X48*21**	1.02	1.12	1.03	1.16	
EA*4X48*24A*	0.99	1.02	0.99	1.02	MV16J22**B*	END4X42*17**	1.00	1.07	1.00	1.05	*8MV*0701412**
EA*4X48*24A*	0.99	1.03	1.00	1.03	MV20L24**B*	END4X42*17**	0.99	1.06	1.00	1.04	*8MV*0901716**
EA*4X48*24A*	1.01	1.06	1.01	1.04	OLV112A16A	END4X42*17**	1.01	1.11	0.98	1.07	*8MX*0451408**
EA*4X48*24A*	1.02	1.13	1.03	1.16		END4X42*17**	1.00	1.09	1.02	1.07	*8MX*0701716**
ED*4X36B**	0.99	1.09	0.99	1.06	MV08B15**B*	END4X42*17**	0.99	1.09	1.01	1.08	*9MA*0601714A**
ED*4X36F**	0.98	1.07	0.98	1.05	*8MV*0901716**	END4X42*17**	1.00	1.09	1.00	1.06	*9MA*0801714A**
ED*4X36F**	0.99	1.12	1.01	1.08	*8MX*0701716**	END4X42*17**	1.00	1.10	0.98	1.10	*9MV*0601714A**
ED*4X36F**	0.98	1.11	0.99	1.08	*9MA*0601714A**	END4X42*17**	1.00	1.09	0.98	1.07	*9MV*0801716A**
ED*4X36F**	0.99	1.11	0.99	1.07	*9MA*0801714A**	END4X42*17**	1.00	1.09	0.98	1.08	*9MX*0601714A**
ED*4X36F**	0.99	1.12	0.98	1.11	*9MV*0601714A**	END4X42*17**	1.00	1.09	1.03	1.07	*9MX*0801716A**
ED*4X36F**	0.99	1.10	0.98	1.09	*9MV*0801716A**	END4X42*17**	0.99	1.05	0.99	1.03	MV08B15**B*

HEATING Multiplying Factors for other Indoor Combinations (continued)

COOLING INDOOR MODEL	HIGH SPEED CAPACITY	POWER	LOW SPEED CAPACITY	POWER	FURNACE MODEL	COOLING INDOOR MODEL	HIGH SPEED CAPACITY	POWER	LOW SPEED CAPACITY	POWER	FURNACE MODEL
ED*4X36F**	0.99	1.11	0.97	1.09	*9MX*0601714A**	END4X42*17**	1.00	1.10	0.92	1.09	OLV098A12A
ED*4X36F**	0.99	1.10	1.02	1.08	*9MX*0801716A**	END4X42*17**	1.01	1.10	0.97	1.08	OMV098J12A
ED*4X36F**	0.98	1.07	0.98	1.05	MV08B15**B*	END4X42*17**	1.00	1.09	0.99	1.05	OMV112K14A
ED*4X36F**	0.98	1.06	0.98	1.04	MV12F19**B*	END4X42*17**	1.01	1.13	1.03	1.16	
ED*4X36F**	0.99	1.12	0.91	1.10	OLV098A12A	ENH4X36*17**	0.99	1.10	0.99	1.07	*8MV*0701412**
ED*4X36F**	0.99	1.12	0.96	1.09	OMV098J12A	ENH4X36*17**	0.98	1.08	0.99	1.06	*8MV*0901716**
ED*4X36F**	0.99	1.10	0.98	1.06	OMV112K14A	ENH4X36*17**	0.98	1.08	0.99	1.07	*8MV*1102120**
ED*4X36F**	1.01	1.16	1.02	1.17		ENH4X36*17**	0.98	1.08	0.98	1.05	*8MV*1352422**
ED*4X36J**	0.98	1.06	0.98	1.03	MV12F19**B*	ENH4X36*17**	1.00	1.14	0.98	1.09	*8MX*0451408**
ED*4X36J**	0.98	1.05	0.98	1.04	MV16J22**B*	ENH4X36*17**	0.99	1.12	1.01	1.09	*8MX*0701716**
ED*4X42F**	0.99	1.07	0.99	1.04	MV08B15**B*	ENH4X36*17**	0.98	1.08	1.01	1.08	*8MX*0902116**
ED*4X42F**	0.98	1.05	0.99	1.04	MV12F19**B*	ENH4X36*17**	0.99	1.13	1.00	1.10	*9MA*0601714A**
ED*4X42J**	0.98	1.05	0.98	1.02	MV12F19**B*	ENH4X36*17**	0.99	1.12	0.99	1.08	*9MA*0801714A**
ED*4X42J**	0.98	1.05	0.99	1.04	MV16J22**B*	ENH4X36*17**	0.98	1.09	0.99	1.07	*9MA*1202422A**
ED*4X42L**	0.98	1.05	0.99	1.04	MV16J22**B*	ENH4X36*17**	0.99	1.13	1.02	1.11	*9MV*0601714A**
ED*4X42L**	0.98	1.05	0.99	1.04	MV20L24**B*	ENH4X36*17**	0.99	1.11	1.02	1.10	*9MV*0801716A**
ED*4X48F**	1.00	1.03	1.00	1.02	MV08B15**B*	ENH4X36*17**	0.97	1.10	1.00	1.08	*9MV*1202422A**
ED*4X48F**	1.00	1.03	1.00	1.02	MV12F19**B*	ENH4X36*17**	0.99	1.12	0.97	1.10	*9MX*0601714A**
ED*4X48J**	0.99	1.04	1.00	1.04	*8MV*1102120**	ENH4X36*17**	0.99	1.12	1.02	1.09	*9MX*0801716A**
ED*4X48J**	1.00	1.04	1.02	1.04	*8MX*0902116**	ENH4X36*17**	0.98	1.08	0.98	1.05	MV08B15**B*
ED*4X48J**	1.00	1.05	1.00	1.04	*9MA*1202422A**	ENH4X36*17**	0.99	1.13	0.91	1.10	OLV098A12A
ED*4X48J**	0.99	1.03	0.99	1.02	MV12F19**B*	ENH4X36*17**	0.99	1.12	1.00	1.08	OLV112A16A
ED*4X48J**	0.99	1.03	0.99	1.02	MV16J22**B*	ENH4X36*17**	1.01	1.09	1.02	1.05	OLV154F20A

HEATING Multiplying Factors for other Indoor Combinations (continued)

COOLING INDOOR MODEL	HIGH SPEED CAPACITY	POWER	LOW SPEED CAPACITY	POWER	FURNACE MODEL	COOLING INDOOR MODEL	HIGH SPEED CAPACITY	POWER	LOW SPEED CAPACITY	POWER	FURNACE MODEL
ED*4X48J**	1.01	1.07	1.01	1.05	OLV112A16A	ENH4X36*17**	0.99	1.13	0.96	1.09	OMV098J12A
ED*4X48J**	1.02	1.13	1.03	1.16		ENH4X36*17**	0.99	1.11	0.98	1.07	OMV112K14A
ED*4X48L**	0.99	1.02	0.99	1.02	MV16J22**B*	ENH4X36*17**	1.00	1.15	1.02	1.18	
ED*4X48L**	0.99	1.03	1.00	1.03	MV20L24**B*	ENH4X42*21**	0.99	1.09	0.99	1.05	*8MV*0701412**
EHD4X36A**	1.00	1.07	1.00	1.05	*8MV*0701412**	ENH4X42*21**	0.99	1.06	0.99	1.04	*8MV*0901716**
EHD4X36A**	0.99	1.05	1.00	1.04	*8MV*0901716**	ENH4X42*21**	0.99	1.07	0.99	1.05	*8MV*1102120**
EHD4X36A**	0.99	1.05	1.00	1.04	*8MV*1102120**	ENH4X42*21**	0.99	1.06	0.99	1.04	*8MV*1352422**
EHD4X36A**	0.99	1.05	0.99	1.03	*8MV*1352422**	ENH4X42*21**	1.01	1.12	0.98	1.08	*8MX*0451408**
EHD4X36A**	1.01	1.10	0.98	1.08	*8MX*0451408**	ENH4X42*21**	0.99	1.10	1.02	1.08	*8MX*0701716**
EHD4X36A**	1.01	1.09	1.02	1.07	*8MX*0701716**	ENH4X42*21**	0.99	1.07	1.01	1.06	*8MX*0902116**
EHD4X36A**	1.00	1.06	1.02	1.05	*8MX*0902116**	ENH4X42*21**	0.99	1.10	1.00	1.08	*9MA*0601714A**
EHD4X36A**	0.99	1.09	1.01	1.08	*9MA*0601714A**	ENH4X42*21**	1.02	1.08	1.02	1.08	*9MA*0602120A**
EHD4X36A**	1.03	1.06	1.02	1.07	*9MA*0602120A**	ENH4X42*21**	0.99	1.09	1.00	1.07	*9MA*0801714A**
EHD4X36A**	1.00	1.08	1.00	1.06	*9MA*0801714A**	ENH4X42*21**	1.02	1.06	1.02	1.07	*9MA*0802120A**
EHD4X36A**	1.02	1.05	1.02	1.06	*9MA*0802120A**	ENH4X42*21**	1.02	1.06	1.02	1.07	*9MA*1002122A**
EHD4X36A**	1.02	1.04	1.02	1.06	*9MA*1002122A**	ENH4X42*21**	0.99	1.07	0.99	1.05	*9MA*1202422A**
EHD4X36A**	0.99	1.06	1.00	1.05	*9MA*1202422A**	ENH4X42*21**	1.00	1.11	0.98	1.09	*9MV*0601714A**
EHD4X36A**	1.01	1.10	0.98	1.10	*9MV*0601714A**	ENH4X42*21**	0.99	1.09	0.98	1.09	*9MV*0801716A**
EHD4X36A**	1.00	1.08	0.98	1.08	*9MV*0801716A**	ENH4X42*21**	0.97	1.09	0.98	1.06	*9MV*0802120A**
EHD4X36A**	0.98	1.08	0.99	1.05	*9MV*0802120A**	ENH4X42*21**	0.97	1.09	0.98	1.07	*9MV*1002120A**
EHD4X36A**	0.97	1.08	0.98	1.06	*9MV*1002120A**	ENH4X42*21**	0.97	1.08	1.01	1.07	*9MV*1202422A**
EHD4X36A**	0.98	1.07	1.01	1.06	*9MV*1202422A**	ENH4X42*21**	0.99	1.10	0.97	1.08	*9MX*0601714A**
EHD4X36A**	1.00	1.09	0.98	1.08	*9MX*0601714A**	ENH4X42*21**	0.99	1.10	1.03	1.08	*9MX*0801716A**

HEATING Multiplying Factors for other Indoor Combinations (continued)

COOLING INDOOR MODEL	HIGH SPEED CAPACITY	POWER	LOW SPEED CAPACITY	FURNACE MODEL	COOLING INDOOR MODEL	HIGH SPEED CAPACITY	POWER	LOW SPEED CAPACITY	FURNACE MODEL	COOLING INDOOR MODEL	HIGH SPEED CAPACITY	POWER	LOW SPEED CAPACITY	FURNACE MODEL
EHD4X36A**	1.00	1.08	1.03	*9MX*0801716A**	ENH4X42*21**	0.99	1.06	0.99	MV12F19**B*	ENH4X42*21**	0.99	1.03	0.99	MV12F19**B*
EHD4X36A**	0.99	1.05	0.99	MV08B15**B*	ENH4X42*21**	0.99	1.12	0.99	OLV098A12A	ENH4X42*21**	0.99	1.10	0.92	OLV098A12A
EHD4X36A**	0.99	1.04	0.99	MV12F19**B*	ENH4X42*21**	1.00	1.09	1.01	OLV112A16A	ENH4X42*21**	1.00	1.07	1.01	OLV112A16A
EHD4X36A**	0.99	1.04	0.99	MV16J22**B*	ENH4X42*21**	1.01	1.06	1.03	OLV154F20A	ENH4X42*21**	1.01	1.04	1.03	OLV154F20A
EHD4X36A**	0.99	1.04	1.00	MV20L24**B*	ENH4X42*21**	1.00	1.12	0.96	OMV098J12A	ENH4X42*21**	1.00	1.08	0.96	OMV098J12A
EHD4X36A**	1.00	1.10	0.92	OLV098A12A	ENH4X42*21**	0.99	1.09	0.99	OMV112K14A	ENH4X42*21**	0.99	1.06	0.99	OMV112K14A
EHD4X36A**	1.01	1.08	1.01	OLV112A16A	ENH4X42*21**	1.01	1.14	1.02		ENH4X42*21**	1.01	1.14	1.02	
EHD4X36A**	1.02	1.04	1.03	OLV154F20A	ENH4X48*21**	1.00	1.06	1.00	*8MV*0701412**	ENH4X48*21**	1.00	1.04	1.00	*8MV*0701412**
EHD4X36A**	1.01	1.10	0.97	OMV098J12A	ENH4X48*21**	0.99	1.04	1.00	*8MV*0901716**	ENH4X48*21**	0.99	1.03	1.00	*8MV*0901716**
EHD4X36A**	1.00	1.08	0.99	OMV112K14A	ENH4X48*21**	0.99	1.04	1.00	*8MV*1102120**	ENH4X48*21**	0.99	1.03	1.00	*8MV*1102120**
EHD4X36A**	1.01	1.13	1.03		ENH4X48*21**	0.99	1.03	0.99	*8MV*1352422**	ENH4X48*21**	0.99	1.02	0.99	*8MV*1352422**
EHD4X42A**	1.00	1.06	1.00	*8MV*0701412**	ENH4X48*21**	1.02	1.09	0.99	*8MX*0451408**	ENH4X48*21**	1.02	1.07	0.99	*8MX*0451408**
EHD4X42A**	1.00	1.05	1.00	*8MV*0901716**	ENH4X48*21**	1.01	1.07	1.03	*8MX*0701716**	ENH4X48*21**	1.01	1.06	1.03	*8MX*0701716**
EHD4X42A**	1.00	1.05	1.00	*8MV*1102120**	ENH4X48*21**	1.00	1.04	1.03	*8MX*0902116**	ENH4X48*21**	1.00	1.04	1.03	*8MX*0902116**
EHD4X42A**	0.99	1.04	1.00	*8MV*1352422**	ENH4X48*21**	1.00	1.07	1.01	*9MA*0601714A**	ENH4X48*21**	1.00	1.06	1.01	*9MA*0601714A**
EHD4X42A**	1.02	1.10	0.98	*8MX*0451408**	ENH4X48*21**	1.03	1.05	1.03	*9MA*0602120A**	ENH4X48*21**	1.03	1.07	1.03	*9MA*0602120A**
EHD4X42A**	1.01	1.07	1.03	*8MX*0701716**	ENH4X48*21**	1.00	1.06	1.00	*9MA*0801714A**	ENH4X48*21**	1.00	1.05	1.00	*9MA*0801714A**
EHD4X42A**	1.00	1.04	1.02	*8MX*0902116**	ENH4X48*21**	1.02	1.03	1.02	*9MA*0802120A**	ENH4X48*21**	1.02	1.05	1.02	*9MA*0802120A**
EHD4X42A**	1.00	1.08	1.01	*9MA*0601714A**	ENH4X48*21**	1.02	1.03	1.02	*9MA*1002122A**	ENH4X48*21**	1.02	1.04	1.02	*9MA*1002122A**
EHD4X42A**	1.03	1.05	1.03	*9MA*0602120A**	ENH4X48*21**	0.99	1.04	1.00	*9MA*1202422A**	ENH4X48*21**	0.99	1.04	1.00	*9MA*1202422A**
EHD4X42A**	1.01	1.07	1.00	*9MA*0801714A**	ENH4X48*21**	1.01	1.08	0.99	*9MV*0601714A**	ENH4X48*21**	1.01	1.08	0.99	*9MV*0601714A**
EHD4X42A**	1.02	1.04	1.02	*9MA*0802120A**	ENH4X48*21**	1.01	1.06	1.00	*9MV*0801716A**	ENH4X48*21**	1.01	1.06	1.00	*9MV*0801716A**
EHD4X42A**	1.02	1.03	1.02	*9MA*1002122A**	ENH4X48*21**	0.98	1.06	1.00	*9MV*0802120A**	ENH4X48*21**	0.98	1.06	1.00	*9MV*0802120A**

HEATING Multiplying Factors for other Indoor Combinations (continued)

COOLING INDOOR MODEL	HIGH SPEED CAPACITY	POWER	LOW SPEED CAPACITY	POWER	FURNACE MODEL	COOLING INDOOR MODEL	HIGH SPEED CAPACITY	POWER	LOW SPEED CAPACITY	POWER	FURNACE MODEL
EHD4X42A**	1.00	1.05	1.00	1.04	*9MA*1202422A**	ENH4X48*21**	0.98	1.06	1.00	1.04	*9MV*1002120A**
EHD4X42A**	1.01	1.08	0.98	1.08	*9MV*0601714A**	ENH4X48*21**	0.98	1.05	1.02	1.04	*9MV*1202422A**
EHD4X42A**	1.01	1.07	0.99	1.08	*9MV*0801716A**	ENH4X48*21**	1.01	1.07	0.98	1.06	*9MX*0601714A**
EHD4X42A**	0.98	1.06	0.99	1.04	*9MV*0802120A**	ENH4X48*21**	1.01	1.07	1.03	1.06	*9MX*0801716A**
EHD4X42A**	0.98	1.07	0.99	1.05	*9MV*1002120A**	ENH4X48*21**	0.99	1.02	0.99	1.01	MV12F19**B*
EHD4X42A**	0.98	1.06	1.01	1.04	*9MV*1202422A**	ENH4X48*21**	1.00	1.08	0.93	1.09	OLV098A12A
EHD4X42A**	1.01	1.07	0.98	1.07	*9MX*0601714A**	ENH4X48*21**	1.01	1.06	1.01	1.04	OLV112A16A
EHD4X42A**	1.01	1.07	1.03	1.06	*9MX*0801716A**	ENH4X48*21**	1.02	1.03	1.03	1.02	OLV154F20A
EHD4X42A**	1.00	1.04	1.00	1.03	MV08B15**B*	ENH4X48*21**	1.01	1.09	0.97	1.07	OMV098J12A
EHD4X42A**	0.99	1.03	0.99	1.02	MV12F19**B*	ENH4X48*21**	1.00	1.06	1.00	1.04	OMV112K14A
EHD4X42A**	0.99	1.02	1.00	1.03	MV16J22**B*	ENH4X48*21**	1.02	1.12	1.03	1.16	
EHD4X42A**	0.99	1.02	1.00	1.03	MV20L24**B*	FCM4X24****	0.99	1.07	0.99	1.07	
EHD4X42A**	1.01	1.09	0.92	1.09	OLV098A12A	FCM4X36****	0.98	1.07	0.98	1.05	
EHD4X42A**	1.01	1.07	1.01	1.05	OLV112A16A	FCM4X48****	0.99	1.02	0.99	1.01	
EHD4X42A**	1.02	1.04	1.03	1.02	OLV154F20A	FCM4X60****	1.00	1.00	1.00	1.00	
EHD4X42A**	1.01	1.09	0.97	1.07	OMV098J12A	FVM4X24****	0.99	1.09	0.99	1.07	
EHD4X42A**	1.00	1.06	1.00	1.05	OMV112K14A	FVM4X36****	0.98	1.07	0.98	1.05	
EHD4X42A**	1.02	1.12	1.03	1.16		FVM4X48****	0.99	1.02	1.00	1.02	
(H,C,T)CH6 48											
*FVM4X48****	1.00	1.00	1.00	1.00		EHD4X60A**	1.01	1.01	1.01	1.01	*9MA*1202422A**
EA*4X48*17A*	1.01	1.02	1.01	1.02	*8MV*0901716**	EHD4X60A**	1.00	1.03	1.01	1.04	*9MV*0801716A**
EA*4X48*17A*	1.00	1.05	1.01	1.06	*9MV*0801716A**	EHD4X60A**	1.01	1.01	1.04	1.04	*9MV*0802120A**
EA*4X48*17A*	1.01	1.05	1.01	1.05	*9MX*0801716A**	EHD4X60A**	1.01	1.01	1.04	1.04	*9MV*1002120A**

HEATING Multiplying Factors for other Indoor Combinations (continued)

COOLING INDOOR MODEL	HIGH SPEED CAPACITY	POWER	LOW SPEED CAPACITY	POWER	FURNACE MODEL	COOLING INDOOR MODEL	HIGH SPEED CAPACITY	POWER	LOW SPEED CAPACITY	POWER	FURNACE MODEL
EA*4X48*17A*	1.01	1.05	1.02	1.09		EHD4X60A**	0.99	0.99	1.01	1.01	*9MV*1202422A**
EA*4X48*21A*	1.00	1.02	1.01	1.03	*8MV*0901716**	EHD4X60A**	1.01	1.04	1.01	1.03	*9MX*0801716A**
EA*4X48*21A*	1.00	1.02	1.00	1.02	*8MV*1102120**	EHD4X60A**	1.03	1.01	1.06	1.04	*9MX*0802120A**
EA*4X48*21A*	1.01	1.06	1.03	1.06	*9MA*0602120A**	EHD4X60A**	1.03	1.01	1.05	1.03	*9MX*1002120A**
EA*4X48*21A*	1.00	1.03	1.03	1.05	*9MA*0802120A**	EHD4X60A**	1.01	1.01	1.03	1.01	*9MX*1202422A**
EA*4X48*21A*	1.00	1.02	1.02	1.03	*9MA*1002122A**	EHD4X60A**	1.00	0.97	1.00	0.98	MV16J22**B*
EA*4X48*21A*	0.99	1.04	1.01	1.06	*9MV*0801716A**	EHD4X60A**	1.00	0.97	1.00	0.98	MV20L24**B*
EA*4X48*21A*	1.01	1.03	1.04	1.06	*9MV*0802120A**	EHD4X60A**	1.02	1.04	1.02	1.03	OLV112A16A
EA*4X48*21A*	1.00	1.02	1.04	1.06	*9MV*1002120A**	EHD4X60A**	1.03	1.01	1.03	1.00	OLV154F20A
EA*4X48*21A*	1.01	1.06	1.00	1.06	*9MX*0801716A**	EHD4X60A**	1.04	1.05	1.03	1.09	
EA*4X48*21A*	1.00	1.03	1.05	1.06	*9MX*0802120A**	EN(A,D)4X48*24**	1.00	1.01	1.00	1.01	*8MV*1102120**
EA*4X48*21A*	1.00	1.02	1.05	1.06	*9MX*1002120A**	EN(A,D)4X48*24**	1.00	1.01	1.00	1.01	*8MV*1352422**
EA*4X48*21A*	1.02	1.08	1.02	1.06	OLV112A16A	EN(A,D)4X48*24**	1.00	1.02	1.00	1.02	*8MX*0902116**
EA*4X48*21A*	1.01	1.06	1.02	1.11		EN(A,D)4X48*24**	1.00	1.01	1.00	1.01	*8MX*1102120**
EA*4X48*24A*	1.00	1.01	1.00	1.02	*8MV*1102120**	EN(A,D)4X48*24**	1.00	1.02	1.02	1.02	*8MX*1352420**
EA*4X48*24A*	1.00	1.01	1.00	1.01	*8MV*1352422**	EN(A,D)4X48*24**	1.03	1.06	1.03	1.06	*9MA*0602120A**
EA*4X48*24A*	1.01	1.06	1.03	1.06	*9MA*0602120A**	EN(A,D)4X48*24**	1.02	1.02	1.02	1.03	*9MA*0802120A**
EA*4X48*24A*	1.00	1.02	1.02	1.04	*9MA*0802120A**	EN(A,D)4X48*24**	1.02	1.02	1.02	1.03	*9MA*1002122A**
EA*4X48*24A*	1.00	1.02	1.02	1.03	*9MA*1002122A**	EN(A,D)4X48*24**	1.00	1.02	1.01	1.03	*9MA*1202422A**
EA*4X48*24A*	1.00	1.02	1.01	1.03	*9MA*1202422A**	EN(A,D)4X48*24**	1.01	1.02	1.04	1.05	*9MV*0802120A**
EA*4X48*24A*	1.01	1.03	1.04	1.05	*9MV*0802120A**	EN(A,D)4X48*24**	1.01	1.02	1.04	1.05	*9MV*1002120A**
EA*4X48*24A*	1.01	1.03	1.04	1.06	*9MV*1002120A**	EN(A,D)4X48*24**	0.99	1.02	1.01	1.03	*9MV*1202422A**
EA*4X48*24A*	0.99	1.02	1.00	1.02	*9MV*1202422A**	EN(A,D)4X48*24**	1.02	1.02	1.05	1.05	*9MX*0802120A**

HEATING Multiplying Factors for other Indoor Combinations (continued)

COOLING INDOOR MODEL	HIGH SPEED CAPACITY	POWER	LOW SPEED CAPACITY	POWER	FURNACE MODEL	COOLING INDOOR MODEL	HIGH SPEED CAPACITY	POWER	LOW SPEED CAPACITY	POWER	FURNACE MODEL
EA*4X48*24A*	1.00	1.02	1.07	1.08	*9MX*0802120A**	EN(A,D)4X48*24**	1.02	1.02	1.05	1.05	*9MX*1002120A**
EA*4X48*24A*	1.00	1.02	1.07	1.07	*9MX*1002120A**	EN(A,D)4X48*24**	1.00	1.02	1.02	1.03	*9MX*1202422A**
EA*4X48*24A*	1.00	1.02	1.02	1.03	*9MX*1202422A**	EN(A,D)4X48*24**	0.99	0.98	1.00	1.00	MV16J22**B*
EA*4X48*24A*	0.99	0.98	0.99	1.00	MV16J22**B*	EN(A,D)4X48*24**	0.99	0.98	1.00	1.00	MV20L24**B*
EA*4X48*24A*	0.99	0.98	0.99	0.99	MV20L24**B*	EN(A,D)4X48*24**	1.01	1.06	1.02	1.05	OLV112A16A
EA*4X48*24A*	1.01	1.06	1.02	1.06	OLV112A16A	EN(A,D)4X48*24**	1.02	1.03	1.02	1.01	OLV154F20A
EA*4X48*24A*	1.02	1.03	1.02	1.02	OLV154F20A	EN(A,D)4X48*24**	1.01	1.06	1.01	1.04	
EA*4X48*24A*	1.01	1.06	1.02	1.11		EN(A,D,W)4X48*21**	1.00	1.02	1.00	1.02	*8MV*0901716**
EA*4X60*21A*	1.01	1.02	1.01	1.01	*8MV*0901716**	EN(A,D,W)4X48*21**	1.00	1.01	1.00	1.01	*8MV*1102120**
EA*4X60*21A*	1.00	1.01	1.01	1.01	*8MV*1102120**	EN(A,D,W)4X48*21**	1.02	1.08	1.01	1.05	*8MX*0701716**
EA*4X60*21A*	1.04	1.06	1.04	1.05	*9MA*0602120A**	EN(A,D,W)4X48*21**	1.00	1.02	1.00	1.02	*8MX*0902116**
EA*4X60*21A*	1.03	1.03	1.03	1.03	*9MA*0802120A**	EN(A,D,W)4X48*21**	1.00	1.01	1.00	1.01	*8MX*1102120**
EA*4X60*21A*	1.03	1.01	1.03	1.02	*9MA*1002122A**	EN(A,D,W)4X48*21**	1.00	1.02	1.02	1.02	*8MX*1352420**
EA*4X60*21A*	1.00	1.04	1.01	1.05	*9MV*0801716A**	EN(A,D,W)4X48*21**	1.03	1.06	1.03	1.06	*9MA*0602120A**
EA*4X60*21A*	1.01	1.02	1.04	1.05	*9MV*0802120A**	EN(A,D,W)4X48*21**	1.02	1.02	1.02	1.03	*9MA*0802120A**
EA*4X60*21A*	1.01	1.02	1.04	1.05	*9MV*1002120A**	EN(A,D,W)4X48*21**	1.02	1.02	1.02	1.03	*9MA*1002122A**
EA*4X60*21A*	1.01	1.05	1.01	1.04	*9MX*0801716A**	EN(A,D,W)4X48*21**	1.00	1.05	1.01	1.06	*9MV*0801716A**
EA*4X60*21A*	1.03	1.03	1.06	1.04	*9MX*0802120A**	EN(A,D,W)4X48*21**	1.01	1.02	1.04	1.05	*9MV*0802120A**
EA*4X60*21A*	1.02	1.01	1.05	1.04	*9MX*1002120A**	EN(A,D,W)4X48*21**	1.01	1.02	1.04	1.05	*9MV*1002120A**
EA*4X60*21A*	1.02	1.06	1.02	1.04	OLV112A16A	EN(A,D,W)4X48*21**	1.01	1.06	1.00	1.05	*9MX*0801716A**
EA*4X60*21A*	1.01	1.05	1.03	1.10		EN(A,D,W)4X48*21**	1.02	1.02	1.05	1.05	*9MX*0802120A**
EA*4X60*24A*	1.00	1.00	1.01	1.01	*8MV*1102120**	EN(A,D,W)4X48*21**	1.02	1.02	1.05	1.05	*9MX*1002120A**
EA*4X60*24A*	1.00	0.99	1.01	1.00	*8MV*1352422**	EN(A,D,W)4X48*21**	1.01	1.06	1.02	1.05	OLV112A16A

HEATING Multiplying Factors for other Indoor Combinations (continued)

COOLING INDOOR MODEL	HIGH SPEED CAPACITY	POWER	LOW SPEED CAPACITY	POWER	FURNACE MODEL	COOLING INDOOR MODEL	HIGH SPEED CAPACITY	POWER	LOW SPEED CAPACITY	POWER	FURNACE MODEL
EA*4X60*24A*	1.04	1.06	1.04	1.05	*9MA*0602120A**	EN(A,D,W)4X48*21**	1.01	1.06	1.01	1.06	
EA*4X60*24A*	1.03	1.03	1.03	1.03	*9MA*0802120A**	EN(A,D,W)4X60*24**	1.00	1.00	1.01	1.00	*8MV*1102120**
EA*4X60*24A*	1.03	1.01	1.03	1.02	*9MA*1002122A**	EN(A,D,W)4X60*24**	1.00	0.99	1.00	0.99	*8MV*1352422**
EA*4X60*24A*	1.00	1.01	1.01	1.01	*9MA*1202422A**	EN(A,D,W)4X60*24**	1.01	1.02	1.01	1.01	*8MX*0902116**
EA*4X60*24A*	1.01	1.02	1.04	1.04	*9MV*0802120A**	EN(A,D,W)4X60*24**	1.00	1.00	1.01	1.00	*8MX*1102120**
EA*4X60*24A*	1.01	1.02	1.04	1.05	*9MV*1002120A**	EN(A,D,W)4X60*24**	1.00	1.00	1.02	1.00	*8MX*1352420**
EA*4X60*24A*	0.99	1.01	1.01	1.01	*9MV*1202422A**	EN(A,D,W)4X60*24**	1.03	1.05	1.04	1.05	*9MA*0602120A**
EA*4X60*24A*	1.03	1.02	1.06	1.04	*9MX*0802120A**	EN(A,D,W)4X60*24**	1.03	1.03	1.03	1.02	*9MA*0802120A**
EA*4X60*24A*	1.03	1.02	1.05	1.04	*9MX*1002120A**	EN(A,D,W)4X60*24**	1.02	1.00	1.03	1.02	*9MA*1002122A**
EA*4X60*24A*	1.01	1.02	1.03	1.02	*9MX*1202422A**	EN(A,D,W)4X60*24**	1.00	1.01	1.01	1.01	*9MA*1202422A**
EA*4X60*24A*	1.00	0.98	1.00	0.98	MV16J22**B*	EN(A,D,W)4X60*24**	1.01	1.01	1.04	1.04	*9MV*0802120A**
EA*4X60*24A*	1.00	0.98	1.00	0.98	MV20L24**B*	EN(A,D,W)4X60*24**	1.01	1.02	1.04	1.04	*9MV*1002120A**
EA*4X60*24A*	1.02	1.06	1.02	1.03	OLV112A16A	EN(A,D,W)4X60*24**	0.99	1.01	1.01	1.01	*9MV*1202422A**
EA*4X60*24A*	1.03	1.03	1.03	1.00	OLV154F20A	EN(A,D,W)4X60*24**	1.03	1.02	1.06	1.04	*9MX*0802120A**
EA*4X60*24A*	1.01	1.05	1.03	1.10		EN(A,D,W)4X60*24**	1.02	1.01	1.05	1.04	*9MX*1002120A**
ED*4X48J**	1.00	1.02	1.00	1.02	*8MV*1102120**	EN(A,D,W)4X60*24**	1.00	1.01	1.03	1.02	*9MX*1202422A**
ED*4X48J**	1.00	1.01	1.00	1.01	*8MV*1352422**	EN(A,D,W)4X60*24**	0.99	0.97	1.00	0.98	MV16J22**B*
ED*4X48J**	1.00	1.03	1.01	1.03	*9MA*1202422A**	EN(A,D,W)4X60*24**	0.99	0.97	1.00	0.98	MV20L24**B*
ED*4X48J**	1.00	1.02	1.02	1.04	*9MX*1202422A**	EN(A,D,W)4X60*24**	1.02	1.06	1.02	1.03	OLV112A16A
ED*4X48J**	0.99	0.99	1.00	1.01	MV16J22**B*	EN(A,D,W)4X60*24**	1.02	1.02	1.02	1.00	OLV154F20A
ED*4X48J**	1.02	1.08	1.02	1.06	OLV112A16A	EN(A,D,W)4X60*24**	1.01	1.05	1.01	1.03	
ED*4X48J**	1.01	1.06	1.02	1.11		ENH4X48*21**	1.00	1.02	1.00	1.02	*8MV*0901716**
ED*4X48L**	0.99	0.98	0.99	1.00	MV16J22**B*	ENH4X48*21**	1.00	1.01	1.00	1.01	*8MV*1102120**

HEATING Multiplying Factors for other Indoor Combinations (continued)

COOLING INDOOR MODEL	HIGH SPEED CAPACITY	POWER	LOW SPEED CAPACITY	FURNACE MODEL	COOLING INDOOR MODEL	HIGH SPEED CAPACITY	POWER	LOW SPEED CAPACITY	FURNACE MODEL	COOLING INDOOR MODEL	HIGH SPEED CAPACITY	POWER	LOW SPEED CAPACITY	FURNACE MODEL
ED*4X48L**	0.99	0.98	0.99	MV20L24**B*	ENH4X48*21**	1.00	1.01	1.00	*8MV*1352422**	ENH4X48*21**	1.00	1.01	1.00	*8MV*1352422**
ED*4X60J**	1.00	0.98	1.00	MV16J22**B*	ENH4X48*21**	1.02	1.08	1.01	*8MX*0701716**	ENH4X48*21**	1.02	1.08	1.01	*8MX*0701716**
ED*4X60L**	1.00	1.00	1.01	*8MV**1102120**	ENH4X48*21**	1.00	1.02	1.00	*8MX*0902116**	ENH4X48*21**	1.00	1.02	1.00	*8MX*0902116**
ED*4X60L**	1.00	0.99	1.01	*8MV**1352422**	ENH4X48*21**	1.00	1.01	1.00	*8MX**1102120**	ENH4X48*21**	1.00	1.01	1.00	*8MX**1102120**
ED*4X60L**	1.00	1.01	1.01	*9MA*1202422A**	ENH4X48*21**	1.00	1.02	1.02	*8MX*1352420**	ENH4X48*21**	1.00	1.02	1.02	*8MX*1352420**
ED*4X60L**	0.99	1.01	1.01	*9MV**1202422A**	ENH4X48*21**	1.03	1.06	1.03	*9MA*0602120A**	ENH4X48*21**	1.03	1.06	1.03	*9MA*0602120A**
ED*4X60L**	1.01	1.02	1.03	*9MX**1202422A**	ENH4X48*21**	1.02	1.02	1.02	*9MA*0802120A**	ENH4X48*21**	1.02	1.02	1.02	*9MA*0802120A**
ED*4X60L**	1.00	0.98	1.00	MV16J22**B*	ENH4X48*21**	1.02	1.02	1.02	*9MA*1002122A**	ENH4X48*21**	1.02	1.02	1.02	*9MA*1002122A**
ED*4X60L**	1.00	0.98	1.00	MV20L24**B*	ENH4X48*21**	1.00	1.02	1.01	*9MA*1202422A**	ENH4X48*21**	1.00	1.02	1.01	*9MA*1202422A**
ED*4X60L**	1.02	1.06	1.02	OLV112A16A	ENH4X48*21**	1.00	1.05	1.01	*9MV*0801716A**	ENH4X48*21**	1.00	1.05	1.01	*9MV*0801716A**
ED*4X60L**	1.03	1.03	1.03	OLV154F20A	ENH4X48*21**	1.01	1.02	1.04	*9MV*0802120A**	ENH4X48*21**	1.01	1.02	1.04	*9MV*0802120A**
EHD4X48A**	1.01	1.02	1.01	*8MV*0901716**	ENH4X48*21**	1.01	1.02	1.04	*9MV*1002120A**	ENH4X48*21**	1.01	1.02	1.04	*9MV*1002120A**
EHD4X48A**	1.00	1.01	1.01	*8MV**1102120**	ENH4X48*21**	1.01	1.02	1.01	*9MX*0801716A**	ENH4X48*21**	1.01	1.02	1.01	*9MX*0801716A**
EHD4X48A**	1.00	1.00	1.01	*8MV*1352422**	ENH4X48*21**	1.02	1.02	1.05	*9MX*0802120A**	ENH4X48*21**	1.02	1.02	1.05	*9MX*0802120A**
EHD4X48A**	1.02	1.08	1.01	*8MX*0701716**	ENH4X48*21**	1.02	1.02	1.05	*9MX*1002120A**	ENH4X48*21**	1.02	1.02	1.05	*9MX*1002120A**
EHD4X48A**	1.00	1.01	1.00	*8MX*0902116**	ENH4X48*21**	1.00	1.02	1.02	*9MX*1202422A**	ENH4X48*21**	1.00	1.02	1.02	*9MX*1202422A**
EHD4X48A**	1.00	1.01	1.03	*8MX**1102120**	ENH4X48*21**	1.01	1.06	1.02	OLV112A16A	ENH4X48*21**	1.01	1.06	1.02	OLV112A16A
EHD4X48A**	1.00	1.01	1.02	*8MX*1352420**	ENH4X48*21**	1.02	1.03	1.02	OLV154F20A	ENH4X48*21**	1.02	1.03	1.02	OLV154F20A
EHD4X48A**	1.04	1.06	1.04	*9MA*0602120A**	ENH4X48*21**	1.01	1.06	1.01		ENH4X48*21**	1.01	1.06	1.01	
EHD4X48A**	1.03	1.03	1.03	*9MA*0802120A**	ENH4X48*21**	1.00	1.01	1.01		ENH4X48*21**	1.00	1.01	1.01	
EHD4X48A**	1.03	1.02	1.03	*9MA*1002122A**	ENH4X48*21**	1.00	1.00	1.01		ENH4X48*21**	1.00	1.00	1.01	
EHD4X48A**	1.01	1.03	1.01	*9MA*1202422A**	ENH4X48*21**	1.00	0.99	1.00		ENH4X48*21**	1.00	0.99	1.00	
EHD4X48A**	1.00	1.04	1.01	*9MV*0801716A**	ENH4X48*21**	1.02	1.08	1.01		ENH4X48*21**	1.02	1.08	1.01	

HEATING Multiplying Factors for other Indoor Combinations (continued)

COOLING INDOOR MODEL	HIGH SPEED CAPACITY	POWER	LOW SPEED CAPACITY	POWER	FURNACE MODEL	COOLING INDOOR MODEL	HIGH SPEED CAPACITY	POWER	LOW SPEED CAPACITY	POWER	FURNACE MODEL
EHD4X48A**	1.01	1.02	1.04	1.05	*9MV*0802120A**	ENH4X60*24**	1.01	1.02	1.01	1.01	*8MX*0902116**
EHD4X48A**	1.01	1.02	1.04	1.05	*9MV*1002120A**	ENH4X60*24**	1.00	1.00	1.04	1.01	*8MX*1102120**
EHD4X48A**	0.99	1.01	1.01	1.03	*9MV*1202422A**	ENH4X60*24**	1.00	1.00	1.02	1.00	*8MX*1352420**
EHD4X48A**	1.01	1.05	1.01	1.05	*9MX*0801716A**	ENH4X60*24**	1.03	1.05	1.04	1.05	*9MA*0602120A**
EHD4X48A**	1.03	1.03	1.06	1.06	*9MX*0802120A**	ENH4X60*24**	1.03	1.03	1.03	1.02	*9MA*0802120A**
EHD4X48A**	1.02	1.02	1.05	1.05	*9MX*1002120A**	ENH4X60*24**	1.02	1.00	1.03	1.02	*9MA*1002122A**
EHD4X48A**	1.00	1.02	1.02	1.03	*9MX*1202422A**	ENH4X60*24**	1.00	1.01	1.01	1.01	*9MA*1202422A**
EHD4X48A**	1.00	0.99	1.00	0.99	MV16J22**B*	ENH4X60*24**	1.00	1.04	1.01	1.04	*9MV*0801716A**
EHD4X48A**	1.00	0.99	1.00	0.99	MV20L24**B*	ENH4X60*24**	1.01	1.01	1.04	1.04	*9MV*0802120A**
EHD4X48A**	1.02	1.06	1.02	1.05	OLV112A16A	ENH4X60*24**	1.01	1.02	1.04	1.04	*9MV*1002120A**
EHD4X48A**	1.03	1.04	1.03	1.02	OLV154F20A	ENH4X60*24**	0.99	1.01	1.01	1.01	*9MV*1202422A**
EHD4X48A**	1.03	1.06	1.02	1.10		ENH4X60*24**	1.01	1.05	1.01	1.03	*9MX*0801716A**
EHD4X60A**	1.01	1.01	1.01	1.01	*8MV*0901716**	ENH4X60*24**	1.03	1.02	1.06	1.04	*9MX*0802120A**
EHD4X60A**	1.00	0.99	1.01	1.00	*8MV*1102120**	ENH4X60*24**	1.02	1.01	1.05	1.04	*9MX*1002120A**
EHD4X60A**	1.00	0.98	1.01	1.00	*8MV*1352422**	ENH4X60*24**	1.00	1.01	1.03	1.02	*9MX*1202422A**
EHD4X60A**	1.03	1.07	1.01	1.04	*8MX*0701716**	ENH4X60*24**	0.99	0.97	1.00	0.98	MV16J22**B*
EHD4X60A**	1.01	1.01	1.01	1.01	*8MX*0902116**	ENH4X60*24**	0.99	0.97	1.00	0.98	MV20L24**B*
EHD4X60A**	1.00	0.99	1.04	1.00	*8MX*1102120**	ENH4X60*24**	1.02	1.06	1.02	1.03	OLV112A16A
EHD4X60A**	1.01	1.00	1.02	1.00	*8MX*1352420**	ENH4X60*24**	1.02	1.02	1.02	1.00	OLV154F20A
EHD4X60A**	1.04	1.04	1.04	1.05	*9MA*0602120A**	ENH4X60*24**	1.01	1.05	1.01	1.03	
EHD4X60A**	1.03	1.01	1.03	1.02	*9MA*0802120A**	FCM4X48****	1.00	1.00	1.00	1.00	
EHD4X60A**	1.03	1.00	1.03	1.02	*9MA*1002122A**	FCM4X60****	1.00	0.97	1.01	0.99	
						FVM4X60****	1.00	0.97	1.01	0.98	

HEATING Multiplying Factors for other Indoor Combinations (continued)										
COOLING INDOOR MODEL	HIGH SPEED CAPACITY	POWER	LOW SPEED CAPACITY	POWER	FURNACE MODEL	COOLING INDOOR MODEL	HIGH SPEED CAPACITY	POWER	LOW SPEED CAPACITY	FURNACE MODEL
(H,C,T)CH6 60										
*FVM4X60***	1.00	1.00	1.00	1.00		EHD4X60A**	1.01	1.06	1.00	*9MA*0802120A**
EA*4X60*21A*	1.01	1.08	1.00	1.04	*8MV*1102120**	EHD4X60A**	1.01	1.09	1.00	*9MA*1002122A**
EA*4X60*21A*	1.00	1.04	1.00	1.02	*8MX*1102120**	EHD4X60A**	1.01	1.06	1.00	*9MA*1202422A**
EA*4X60*21A*	1.00	1.05	0.99	1.04	*8MX*1352420**	EHD4X60A**	1.00	1.06	1.01	*9MV*0802120A**
EA*4X60*21A*	1.02	1.06	1.01	1.06	*9MA*0602120A**	EHD4X60A**	0.99	1.05	1.01	*9MV*1002120A**
EA*4X60*21A*	1.01	1.05	1.00	1.04	*9MA*0802120A**	EHD4X60A**	1.00	1.06	1.00	*9MV*1202422A**
EA*4X60*21A*	1.01	1.11	1.00	1.07	*9MA*1002122A**	EHD4X60A**	1.00	1.04	1.02	*9MX*0802120A**
EA*4X60*21A*	0.99	1.05	1.01	1.06	*9MV*0802120A**	EHD4X60A**	1.01	1.04	1.02	*9MX*1002120A**
EA*4X60*21A*	0.99	1.03	1.01	1.05	*9MV*1002120A**	EHD4X60A**	1.00	1.06	1.00	*9MX*1202422A**
EA*4X60*21A*	1.00	1.06	1.02	1.07	*9MX*0802120A**	EHD4X60A**	1.00	1.02	1.00	MV16J22**B*
EA*4X60*21A*	1.01	1.06	1.02	1.06	*9MX*1002120A**	EHD4X60A**	1.00	1.02	1.00	MV20L24**B*
EA*4X60*21A*	1.01	1.06	1.01	1.09		EHD4X60A**	1.00	1.05	1.00	OLV154F20A
EA*4X60*24A*	1.01	1.07	1.00	1.04	*8MV*1102120**	EHD4X60A**	1.01	1.05	1.02	
EA*4X60*24A*	1.00	1.05	1.00	1.03	*8MV*1352422**	EN(A,D,W)4X60*24**	1.00	1.05	1.00	*8MV*1102120**
EA*4X60*24A*	1.00	1.04	1.00	1.03	*8MX*1102120**	EN(A,D,W)4X60*24**	1.00	1.03	1.00	*8MV*1352422**
EA*4X60*24A*	1.00	1.05	0.99	1.04	*8MX*1352420**	EN(A,D,W)4X60*24**	1.00	1.04	1.00	*8MX*1102120**
EA*4X60*24A*	1.02	1.08	1.01	1.06	*9MA*0602120A**	EN(A,D,W)4X60*24**	1.00	1.05	0.99	*8MX*1352420**
EA*4X60*24A*	1.01	1.06	1.00	1.04	*9MA*0802120A**	EN(A,D,W)4X60*24**	1.02	1.07	1.01	*9MA*0602120A**
EA*4X60*24A*	1.01	1.10	1.00	1.07	*9MA*1002122A**	EN(A,D,W)4X60*24**	1.01	1.06	1.00	*9MA*0802120A**
EA*4X60*24A*	1.01	1.06	1.00	1.04	*9MA*1202422A**	EN(A,D,W)4X60*24**	1.01	1.11	1.00	*9MA*1002122A**
EA*4X60*24A*	0.99	1.05	1.01	1.07	*9MV*0802120A**	EN(A,D,W)4X60*24**	1.01	1.06	1.00	*9MA*1202422A**
EA*4X60*24A*	0.99	1.05	1.01	1.07	*9MV*1002120A**	EN(A,D,W)4X60*24**	0.99	1.05	1.01	*9MV*0802120A**

HEATING Multiplying Factors for other Indoor Combinations (continued)

COOLING INDOOR MODEL	HIGH SPEED CAPACITY	POWER	LOW SPEED CAPACITY	POWER	FURNACE MODEL	COOLING INDOOR MODEL	HIGH SPEED CAPACITY	POWER	LOW SPEED CAPACITY	POWER	FURNACE MODEL
EA*4X60*24A*	0.99	1.05	1.00	1.04	*9MV*1202422A**	EN(A,D,W)4X60*24**	0.99	1.05	1.01	1.07	*9MV*1002120A**
EA*4X60*24A*	1.00	1.06	1.02	1.07	*9MX*0802120A**	EN(A,D,W)4X60*24**	0.99	1.05	0.99	1.03	*9MV*1202422A**
EA*4X60*24A*	1.01	1.06	1.02	1.06	*9MX*1002120A**	EN(A,D,W)4X60*24**	1.00	1.06	1.02	1.07	*9MX*0802120A**
EA*4X60*24A*	1.00	1.05	1.00	1.04	*9MX*1202422A**	EN(A,D,W)4X60*24**	1.01	1.06	1.02	1.06	*9MX*1002120A**
EA*4X60*24A*	1.00	1.04	1.00	1.03	MV16J22**B*	EN(A,D,W)4X60*24**	1.00	1.06	0.99	1.03	*9MX*1202422A**
EA*4X60*24A*	1.00	1.04	1.00	1.03	MV20L24**B*	EN(A,D,W)4X60*24**	0.99	1.01	0.99	1.00	MV16J22**B*
EA*4X60*24A*	1.00	1.02	1.00	1.01	OLV154F20A	EN(A,D,W)4X60*24**	0.99	1.01	0.99	1.00	MV20L24**B*
EA*4X60*24A*	1.01	1.06	1.01	1.09		EN(A,D,W)4X60*24**	0.99	1.04	0.99	1.02	OLV154F20A
ED*4X60J**	1.00	1.02	1.00	1.01	MV16J22**B*	EN(A,D,W)4X60*24**	1.01	1.06	1.04	1.18	
ED*4X60L**	1.01	1.06	1.00	1.03	*8MV*1102120**	ENH4X60*24**	1.00	1.05	1.00	1.03	*8MV*1102120**
ED*4X60L**	1.00	1.03	1.00	1.02	*8MV*1352422**	ENH4X60*24**	1.00	1.04	1.00	1.02	*8MV*1352422**
ED*4X60L**	1.02	1.07	1.01	1.06	*9MA*0602120A**	ENH4X60*24**	1.00	1.04	1.00	1.03	*8MX*1102120**
ED*4X60L**	1.01	1.06	1.00	1.04	*9MA*0802120A**	ENH4X60*24**	1.00	1.05	0.99	1.03	*8MX*1352420**
ED*4X60L**	1.01	1.10	1.00	1.07	*9MA*1002122A**	ENH4X60*24**	1.02	1.08	1.01	1.06	*9MA*0602120A**
ED*4X60L**	1.01	1.05	1.00	1.04	*9MA*1202422A**	ENH4X60*24**	1.01	1.06	1.00	1.04	*9MA*0802120A**
ED*4X60L**	0.99	1.03	1.00	1.03	*9MV*1202422A**	ENH4X60*24**	1.01	1.11	1.00	1.07	*9MA*1002122A**
ED*4X60L**	1.00	1.06	1.02	1.07	*9MX*0802120A**	ENH4X60*24**	1.01	1.06	1.00	1.04	*9MA*1202422A**
ED*4X60L**	1.01	1.06	1.02	1.06	*9MX*1002120A**	ENH4X60*24**	0.99	1.05	1.01	1.06	*9MV*0802120A**
ED*4X60L**	1.00	1.03	1.00	1.03	*9MX*1202422A**	ENH4X60*24**	0.99	1.05	1.01	1.06	*9MV*1002120A**
ED*4X60L**	1.00	1.02	1.00	1.01	MV16J22**B*	ENH4X60*24**	0.99	1.05	0.99	1.03	*9MV*1202422A**
ED*4X60L**	1.00	1.02	1.00	1.02	MV20L24**B*	ENH4X60*24**	1.00	1.06	1.02	1.07	*9MV*1202422A**
ED*4X60L**	1.00	1.00	1.00	1.00	OLV154F20A	ENH4X60*24**	1.01	1.06	1.02	1.06	*9MX*0802120A**
ED*4X60L**	1.00	1.00	1.00	1.00		ENH4X60*24**	1.01	1.06	1.02	1.06	*9MX*1002120A**
ED*4X60L**	1.01	1.06	1.01	1.09		ENH4X60*24**	1.00	1.06	0.99	1.03	*9MX*1202422A**

HEATING Multiplying Factors for other Indoor Combinations (continued)

COOLING INDOOR MODEL	HIGH SPEED CAPACITY	POWER	LOW SPEED CAPACITY	POWER	FURNACE MODEL	COOLING INDOOR MODEL	HIGH SPEED CAPACITY	POWER	LOW SPEED CAPACITY	POWER	FURNACE MODEL
EHD4X60A**	1.01	1.06	1.00	1.03	*8MV*1102120**	ENH4X60*24**	0.99	1.01	0.99	1.00	MV16J22**B*
EHD4X60A**	1.00	1.04	1.00	1.02	*8MV*1352422**	ENH4X60*24**	0.99	1.01	0.99	1.00	MV20L24**B*
EHD4X60A**	1.00	1.02	1.00	1.02	*8MX*1102120**	ENH4X60*24**	0.99	1.04	0.99	1.02	OLV154F20A
EHD4X60A**	1.00	1.03	0.99	1.02	*8MX*1352420**	ENH4X60*24**	1.01	1.06	1.01	1.10	
EHD4X60A**	1.02	1.08	1.01	1.06	*9MA*0602120A**	FCM4X60****	1.00	1.03	1.00	1.02	

PHYSICAL DATA					
Model Size		24	36	48	60
Nominal Cooling Capacity (BTU/hr)		24,000	36,000	48,000	60,000
SEER Rating‡		16.5	17.0	16.0	15.7
Sound Rating**, High Stage (dBA)		71	72	74	73
Low Stage (dBA)		69	71	71	73
PSC Fan Motor HP		1/12	1/8	1/4	1/4
Fan RPM		800	810	825	825
Fan CFM		3200	3900	4350	5000
Coil Face Area (ft ²)		25.15	25.15	25.15	30.18
Coil Rows - fins per inch		2-20	2-20	2-20	2-20
Low Pressure Switch	Open Pressure Close Pressure	23 ± 5 PSIG 55 ± 5 PSIG	23 ± 5 PSIG 55 ± 5 PSIG	23 ± 5 PSIG 55 ± 5 PSIG	23 ± 5 PSIG 55 ± 5 PSIG
Hi Pressure Switch	Open Pressure Close Pressure	670 ± 10 PSIG 470 ± 25 PSIG	670 ± 10 PSIG 470 ± 25 PSIG	670 ± 10 PSIG 470 ± 25 PSIG	670 ± 10 PSIG 470 ± 25 PSIG
Liquid Line Connection Size in. (mm)		3/8 (10)	3/8 (10)	3/8 (10)	3/8 (10)
Vapor Line Connection Size in. (mm)		3/4 (19)	7/8 (22)	7/8 (22)	7/8 (22)
Recommended Line Set Liquid Tube Diameter in. (mm)		3/8 (10)	3/8 (10)	3/8 (10)	3/8 (10)
Recommended Line Set Vapor Tube Diameter in. (mm)*		3/4 (19)*	7/8 (22)*	1-1/8 (29)*	1-1/8 (29)*
* Recommended Vapor Tube Line size is for standard installations. These recommendations may not apply to "Long Line" installations. When the total equivalent line length exceeds 80 feet (24.4m) or there is more than 20 feet (6.1m) vertical separation between indoor and outdoor units, consult the Long Line Application Guideline document before purchasing/installing line sets.					
Factory Charge R-410A lbs. (kg)		14.00 (6.35)	14.00 (6.40)	14.25 (6.46)	15.45 (7.01)
Required Subcooling °F (°C)		9 (5)	12 (7)	12 (7)	11 (6)
Outdoor Unit Factory Piston Size (used in Outdoor Unit for heating mode)		46	57	61	67

ELECTRICAL DATA (208/230-1-60, voltage range 197V - 253V)					
Model Size		24	36	48	60
Minimum Circuit Ampacity - MCA (amps)		16.4	21.8	34.8	30.1
Maximum OverCurrent Protective device - MOCP (amps)		25	35	50	50
Compressor RLA (Rated Load Amps)		12.7	16.7	26.9	23.0
LRA (Locked Rotor Amps)		52.0	82.0	96.0	118.0
Fan Motor FLA (Full Load Amps)		0.5	0.9	1.3	1.4

‡ Highest sales volume tested combination.

**Sound Rating tested in accordance with AHRI Standard 270-95 (not listed with AHRI).

R-410A COOLING CAPACITY LOSS FOR VARIOUS LINE LENGTHS & TUBE DIAMETERS											
Unit Nominal Size (Btuh)	Maximum Liquid Line Diameter (OD) in.(mm)	Vapor Line Diameters (OD) in. (mm)	Cooling Capacity Loss (%) at Total Equivalent Line Length, feet (m)								
			26-50 (7.9-15.2)	51-80 (15.5-24.4)	81-100 (24.7-30.5)	101-125 (30.8-38.1)	126-150 (38.4-45.7)	151-175 (46.0-50.3)	176-200 (53.6-60.0)	201-225 (61.3-68.6)	226-250 (68.9-76.2)
24 2-Stage HP	3/8 (10)	5/8 (16)	0	1	1	2	3	3	4	4	5
		3/4 (19)	0	1	1	1	1	1	1	1	1
36 2-Stage HP		5/8 (16)	1	2	4	5	6	7	9	10	11
		3/4 (19)	0	0	1	1	2	2	3	3	4
		7/8 (22)	0	0	-	-	-	-	-	-	-
48 2-Stage HP		3/4 (19)	1	2	2	3	4	5	6	7	7
		7/8 (22)	0	1	1	2	2	2	3	3	4
		1-1/8 (29)	0	0	-	-	-	-	-	-	-
60 2-Stage HP		3/4 (19)	1	2	4	5	6	8	9	10	11
		7/8 (22)	0	1	2	2	3	4	4	5	5
		1-1/8 (29)	0	0	-	-	-	-	-	-	-

Standard Length - 80 ft. (24.4m) or less total equivalent length.

Applications in this area are long line. Accessories are required as shown recommended on the AC & HP R410A Split System Long Line Applications Guideline.

Applications in this area may have height restrictions that limit allowable total equivalent length, when outdoor unit is below indoor unit.

- Applications in this area are not recommended due to insufficient oil return.

ACCESSORY USAGE GUIDELINES		
Accessory	REQUIRED FOR LONG LINE APPLICATIONS* (Over 80 ft. / 24.38 m)	REQUIRED FOR SEA COAST APPLICATIONS (within 2 miles/3.22 km)
Accumulator	Yes, Standard	Standard
Compressor Start Assist Capacitor and Relay	Yes	No
Crankcase Heater	Yes, Standard	No
Liquid Line Solenoid Valve	See Long Line Applications Guideline	No
Support Feet	No	Recommended

* For tubing line sets between 80 and 200 ft. (24.38 and 60.96 m) and/or 20 ft. (6.09 m) vertical differential, refer to Long Line Applications Guideline.

ACCESSORIES		
Part Number	Description	Used On Model Size
NASA001LS	Liquid Line Solenoid Valve, HP, R-22 or R-410A	ALL
NASA001TD	Time Delay Relay, Indoor Blower	ALL
NASA001SF	Support Feet, 4" (102mm) tall	ALL
NASA00106SS	Snow Stand Kit	ALL
NASA010SC	Hard Start Kit (Capacitor & Relay)	24
NASA011SC	Hard Start Kit (Capacitor & Relay)	36
NASA012SC	Hard Start Kit (Capacitor & Relay)	48
NASA013SC	Hard Start Kit (Capacitor & Relay)	60
WALL CONTROL		
TSTAT0101SC	Observer™ Self Configuring Communicating Wall Control	ALL

(C,H,T)CH6 PARTS LIST

KEY NO.	DESCRIPTION	PART NO.	(C,H,T)CH6 PARTS LIST															
			CCH624GKA100	CCH636GKA100	CCH648GKA100	CCH660GKA100	HCH624GKA100	HCH636GKA100	HCH648GKA100	HCH660GKA100	TCH624GKA100	TCH636GKA100	TCH648GKA100	TCH660GKA100				
01	COMP ZPS20K4E-PFV-130	ZPS20K4EPFV130	1	-	-	-	1	-	-	-	1	-	-	-	1	-	-	-
01	COMP ZPS30K4E-PFV-130	ZPS30K4EPFV130	-	1	-	-	-	-	1	-	-	-	-	1	-	-	-	-
01	COMP ZPS40K4E-PFV-130	ZPS40K4EPFV130	-	-	1	-	-	-	-	1	-	-	-	-	1	-	-	-
01	COMP ZPS49K4E-PFV-130	ZPS49K4EPFV130	-	-	-	1	-	-	-	-	1	-	-	-	-	-	-	1
02	MOTOR COND 1/12 HP 800	1184597	1	-	-	-	1	-	-	-	-	1	-	-	-	-	-	-
02	MOTOR CND 1/8 HP 810	1184961	-	1	-	-	-	-	1	-	-	-	-	1	-	-	-	-
02	MOTOR COND 1/4 HP 825	1184599	-	-	1	-	-	-	-	1	-	-	-	-	1	-	-	-
02	MOTOR BLR 1/4 HP 825	1184959	-	-	-	1	-	-	-	-	1	-	-	-	-	-	-	1
03	BLADE FAN 26" 3B 1/2"B	1185041	1	-	-	-	1	-	-	-	-	1	-	-	-	-	-	-
03	BLADE FAN 26" 3B 1/2"B	1185040	-	1	-	-	-	-	1	-	-	-	-	1	-	-	-	-
03	FAN C 26" 3B 1/2" 24 INT	1172716	-	-	1	-	-	-	-	1	-	-	-	-	1	-	-	-
03	FAN C 26" 3B 1/2"	1185010	-	-	-	1	-	-	-	-	1	-	-	-	-	-	-	1
04	CONTACTOR 1P 30A 24V W/SHUNT	1172472	1	1	1	-	1	1	1	-	1	1	1	1	1	1	1	-
04	CONTACTOR 1P 40A	1176763	-	-	-	1	-	-	-	-	1	-	-	-	-	-	-	1
05	CAP RN RD 370V 5+35	1172110	1	-	-	-	1	-	-	-	-	1	-	-	-	-	-	-
05	CAP RN RD 370V 5+40	1172147	-	1	-	-	-	-	1	-	-	-	-	1	-	-	-	-
05	CAP RN RD 370V 7.5+45	1172291	-	-	1	-	-	-	-	1	-	-	-	-	-	-	1	-
05	CAP RN RD 370V 7.5+80	1172296	-	-	-	1	-	-	-	-	1	-	-	-	-	-	-	1
06	COIL ASY COND	1185095	1	-	-	-	1	-	-	-	-	1	-	-	-	-	-	-
06	COND COIL ASSY FORMED	1174935	-	1	1	-	-	-	1	1	-	-	-	1	1	-	-	-
06	COND COIL ASSY FORMED	1174936	-	-	-	1	-	-	-	-	1	-	-	-	-	-	-	1
07	VALVE SVC PARK SUC 12S-12S	1172726	1	-	-	-	1	-	-	-	-	1	-	-	-	-	-	-
07	VALVE SVC PARK SUC 14S-14S	1172727	-	1	1	1	-	1	1	1	1	-	1	1	1	1	1	1
08	VALVE SERVICE LIQUID	1173629	1	1	1	1	1	1	1	1	1	1	1	1	1	1	1	1
09	PLUG COMP WIRE (SM) 12GAx44"	1172731	1	1	1	-	1	1	1	-	1	1	1	1	1	1	-	-
09	PLUG COMP WIRE (SM) 10GAx54"	1172732	-	-	-	1	-	-	-	-	1	-	-	-	-	-	-	1
10	NUT HEX WASHER FACE 5/16-18	1174289	4	4	4	4	4	4	4	4	4	4	4	4	4	4	4	4
11	ISOLATOR VIBRATION	1172271	4	4	4	4	4	4	4	4	4	4	4	4	4	4	4	4
12	VALVE 4-WAY	1184996	1	-	-	-	1	-	-	-	-	1	-	-	-	-	-	-
12	VALVE 4-WAY	1184997	-	1	1	1	-	1	1	1	1	-	1	1	1	1	1	1
13	COIL RVS	1184998	1	1	1	1	1	1	1	1	1	1	1	1	1	1	1	1
14	PLUG ASY RVS	1185101	1	1	1	1	1	1	1	1	1	1	1	1	1	1	1	1
15	ACCUMULATOR	1174702	1	-	-	-	1	-	-	-	-	1	-	-	-	-	-	-
15	ACCUMULATOR	1174703	-	1	-	-	-	-	1	-	-	-	-	1	-	-	-	-
15	ACCUMULATOR	1172313	-	-	1	1	-	-	1	1	-	-	-	1	1	-	-	1
16	CAPILLARY ASSY FORMED	1174096	1	1	1	1	1	1	1	1	1	1	1	1	1	1	1	1
17	PRESSURE SWITCH LOW	1184655	1	1	1	1	1	1	1	1	1	1	1	1	1	1	1	1
18	PISTON CHATLEFF .046	1173650	1	-	-	-	1	-	-	-	-	1	-	-	-	-	-	-
18	PISTON CHATLEFF .057	1173658	-	1	-	-	-	-	1	-	-	-	-	-	1	-	-	-
18	PISTON CHATLEFF .061	1173663	-	-	1	-	-	-	-	1	-	-	-	-	-	1	-	-
18	PISTON CHATLEFF .067	1173867	-	-	-	1	-	-	-	-	1	-	-	-	-	-	-	1

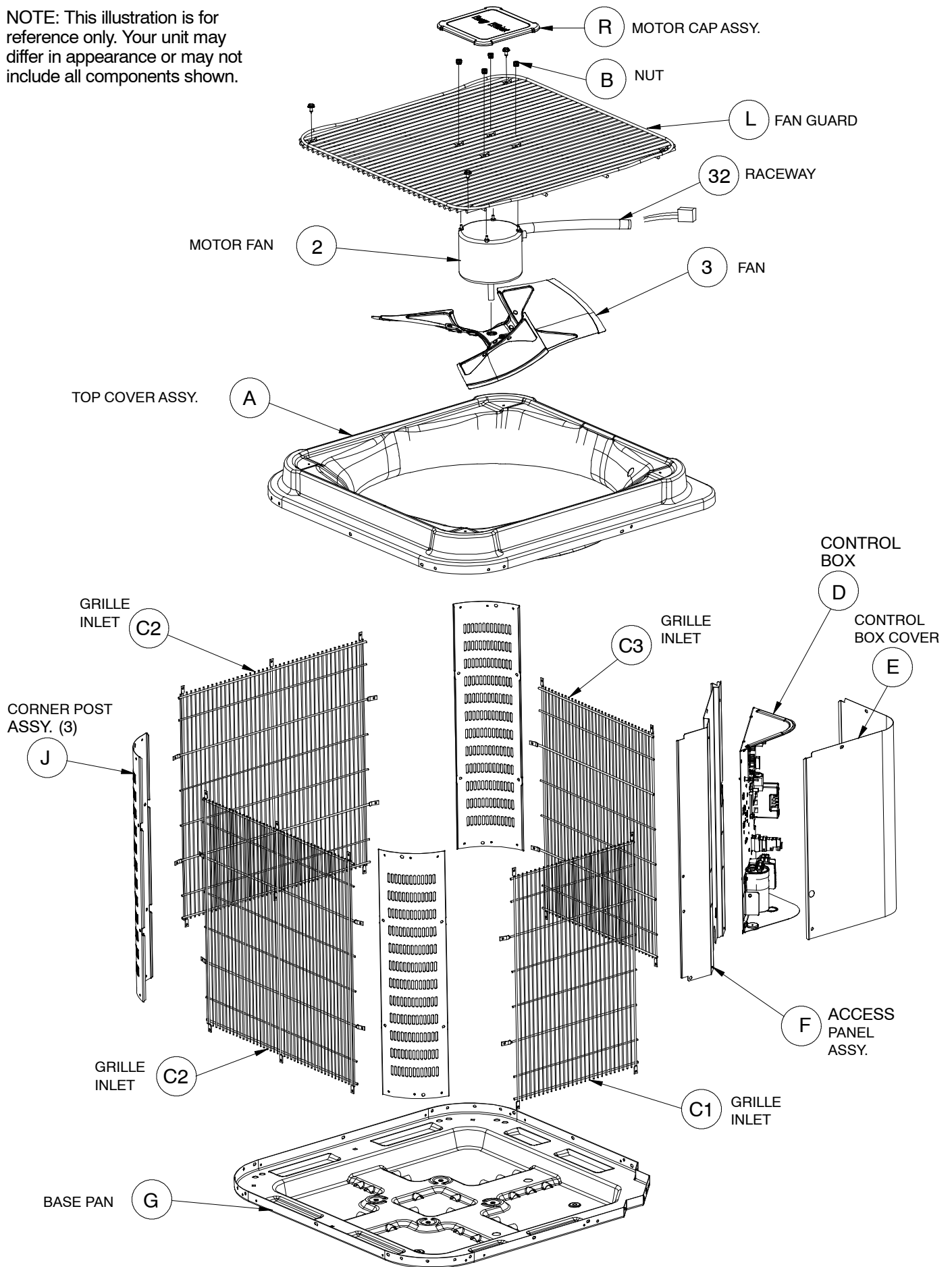
(C,H,T)CH6 PARTS LIST

KEY NO.	DESCRIPTION	PART NO.												
			CCH624GKA100	CCH636GKA100	CCH648GKA100	CCH660GKA100	HCH624GKA100	HCH636GKA100	HCH648GKA100	HCH660GKA100	TCH624GKA100	TCH636GKA100	TCH648GKA100	TCH660GKA100
19	PRESSURE SWITCH ASY HI	1185102	1	1	1	1	1	1	1	1	1	1	1	1
20	DISTRIBUTOR ASY	1185103	1	1	1	-	1	1	1	-	1	1	1	-
20	DISTRIBUTOR ASY	1185104	-	-	-	1	-	-	-	1	-	-	-	1
22	THERMISTOR ASY	1184605	1	1	1	1	1	1	1	1	1	1	1	1
23	MUFFLER	1177828	1	1	1	1	1	1	1	1	1	1	1	1
24	FILTER DRIER ASY	1183922	1	1	1	1	1	1	1	1	1	1	1	1
26	BOARD CIRCUIT	1184935	1	1	1	1	1	1	1	1	1	1	1	1
27	JACKET SOUND	1172014	1	1	1	-	1	1	1	-	1	1	1	-
27	JACKET SOUND	1174008	-	-	-	1	-	-	-	1	-	-	-	1
28	CAP FLARE	1172410	1	1	1	1	1	1	1	1	1	1	1	1
29	GROMMET ACCUMULATOR CUSHION	1172806	1	1	1	1	1	1	1	1	1	1	1	1
30	CLIP ACCUM	1173640	1	1	1	1	1	1	1	1	1	1	1	1
31	RETAINER PISTON	1173641	1	1	1	1	1	1	1	1	1	1	1	1
32	RACEWAY	1175919	1	1	1	1	1	1	1	1	1	1	1	1
33	LUG GROUND	1172300	1	1	1	1	1	1	1	1	1	1	1	1
34	HARNESS ASY	1184937	1	1	1	1	1	1	1	1	1	1	1	1
35	HEATER CRANKCASE	1185011	1	1	1	-	1	1	1	-	1	1	1	-
35	HEATER CRANKCASE	1185012	-	-	-	1	-	-	-	1	-	-	-	1
37	HARNESS ASY COMPR SOLENOID	1184938	1	1	1	1	1	1	1	1	1	1	1	1
38	SWITCH ASY DISCH TEMP	1178621	1	1	1	1	1	1	1	1	1	1	1	1
42	HARNESS ASY	1184936	1	1	1	1	1	1	1	1	1	1	1	1
50	TRANS 208/230>24 40VA	1170676	1	1	1	1	1	1	1	1	1	1	1	1
51	PLUG MODEL	1184942	1	-	-	-	1	-	-	-	1	-	-	-
51	PLUG MODEL	1184944	-	1	-	-	-	1	-	-	-	1	-	-
51	PLUG MODEL	1184946	-	-	1	-	-	-	1	-	-	-	1	-
51	PLUG MODEL	1184948	-	-	-	1	-	-	-	1	-	-	-	1
A	TOP COVER ASY	1183317	1	1	1	1	-	-	-	-	1	1	1	1
A	TOP COVER ASSY	1178327	-	-	-	-	1	1	1	1	-	-	-	-
B	NUT HEX 8-32 KNURL MTR MTG	1172217	4	4	4	4	4	4	4	4	4	4	4	4
C1	GRILLE INLET	1178579	1	1	1	-	-	-	-	-	-	-	-	-
C1	GRILLE INLET	1178698	-	-	-	1	-	-	-	-	-	-	-	-
C1	GRILLE INLET	1177491	-	-	-	-	1	1	1	-	-	-	-	-
C1	GRILLE INLET	1178807	-	-	-	-	-	-	-	1	-	-	-	-
C1	GRILLE INLET	1177575	-	-	-	-	-	-	-	-	1	1	1	-
C1	GRILLE INLET	1178809	-	-	-	-	-	-	-	-	-	-	-	1
C2	GRILLE INLET	1178580	2	2	2	-	-	-	-	-	-	-	-	-
C2	GRILLE INLET	1178699	-	-	-	2	-	-	-	-	-	-	-	-
C2	GRILLE INLET HEIL	1176702	-	-	-	-	2	2	2	-	-	-	-	-
C2	GRILLE INLET HEIL	1175799	-	-	-	-	-	-	-	2	-	-	-	-
C2	GRILLE INLET	1176717	-	-	-	-	-	-	-	-	2	2	2	-
C2	GRILLE INLET	1176450	-	-	-	-	-	-	-	-	-	-	-	2

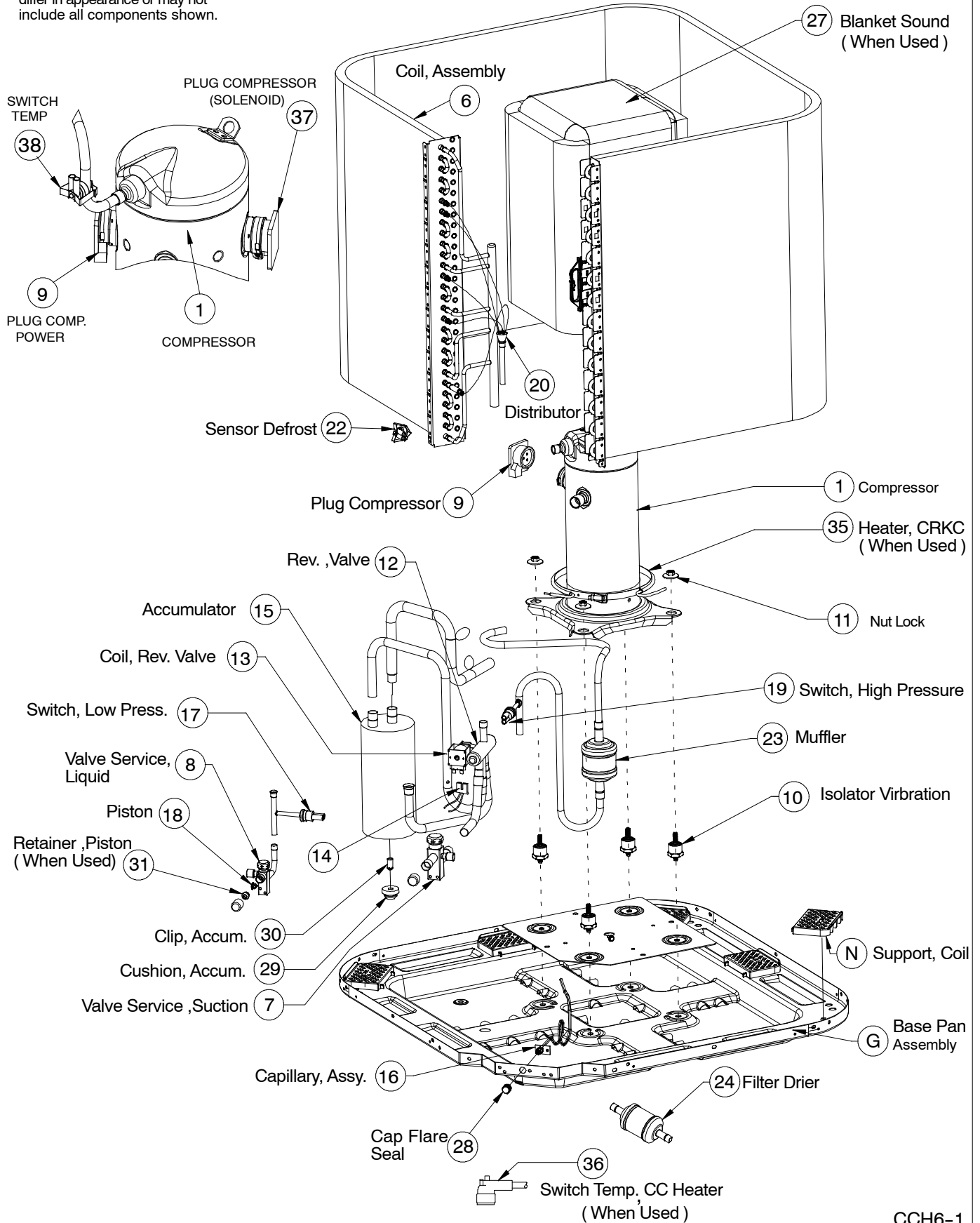
(C,H,T)CH6 PARTS LIST

KEY NO.	DESCRIPTION	PART NO.												
			CCH624GKA100	CCH636GKA100	CCH648GKA100	CCH660GKA100	HCH624GKA100	HCH636GKA100	HCH648GKA100	HCH660GKA100	TCH624GKA100	TCH636GKA100	TCH648GKA100	TCH660GKA100
C3	GRILLE INLET	1178581	1	1	1	-	-	-	-	-	-	-	-	-
C3	GRILLE INLET	1178700	-	-	-	1	-	-	-	-	-	-	-	-
C3	GRILLE INLET	1177494	-	-	-	-	1	1	1	-	-	-	-	-
C3	GRILLE INLET	1178808	-	-	-	-	-	-	-	1	-	-	-	-
C3	GRILLE INLET	1177578	-	-	-	-	-	-	-	-	1	1	1	-
C3	GRILLE INLET	1178810	-	-	-	-	-	-	-	-	-	-	-	1
D	BOX CONTROL	1184617	1	1	1	1	1	1	1	1	1	1	1	1
E	KIT CONTROL BOX COVER	1185097	1	-	-	-	1	-	-	-	1	-	-	-
E	KIT CONTROL BOX COVER	1185098	-	1	-	-	-	1	-	-	-	1	-	-
E	KIT CONTROL BOX COVER	1185099	-	-	1	-	-	-	1	-	-	-	1	-
E	KIT CONTROL BOX COVER	1185100	-	-	-	1	-	-	-	1	-	-	-	1
F	SVCE PNL ASSY	1178326	1	1	1	-	1	1	1	-	1	1	1	-
F	PANEL SERVICE	1178696	-	-	-	1	-	-	-	1	-	-	-	1
G	BASE PAN ASSY	1178309	1	1	1	1	1	1	1	1	1	1	1	1
J	CORNER POST ASY	1178575	1	1	1	-	-	-	-	-	-	-	-	-
J	CORNER POST ASY	1178697	-	-	-	1	-	-	-	-	-	-	-	-
J	COR POST ASY	1178314	-	-	-	-	1	1	1	-	-	-	-	-
J	POST ASY CORNER	1178805	-	-	-	-	-	-	-	1	-	-	-	-
J	CORNER POST ASY	1178583	-	-	-	-	-	-	-	-	1	1	1	-
J	POST ASY CORNER	1178806	-	-	-	-	-	-	-	-	-	-	-	1
L	GUARD FAN	1178573	1	1	1	1	-	-	-	-	-	-	-	1
L	GUARD FAN	1174032	-	-	-	-	1	1	1	1	-	-	-	-
L	FAN GUARD	1177572	-	-	-	-	-	-	-	-	1	1	1	1
N	SUPPORT COIL	1174068	5	5	5	5	5	5	5	5	5	5	5	5
P	CLAMP CAPACITOR ROUND 2.0"D	1172734	1	1	1	-	1	1	1	-	1	1	1	-
P	CLAMP CAPACITOR ROUND 2.5"D	1172735	-	-	-	1	-	-	-	1	-	-	-	1
R	MOTOR CAP ASSY COMF	1175140	1	1	1	1	-	-	-	-	-	-	-	-
R	MOTOR CAP ASSY HEIL	1175157	-	-	-	-	1	1	1	1	-	-	-	-
R	MOTOR CAP ASSY TEMP	1175158	-	-	-	-	-	-	-	-	1	1	1	1
Parts Not Shown														
)	PAINT TOUCH UP BALTIC GRY 1 PT	1178322	1	1	1	1	1	1	1	1	1	1	1	1
)	KIT ADAPTER ASSY	1174192	1	1	1	1	1	1	1	1	1	1	1	1
)	WASHER TEFLON	1174012	1	1	1	1	1	1	1	1	1	1	1	1
)	CAP SERVICE KIT 11/16-20	1175650	1	1	1	1	1	1	1	1	1	1	1	1
)	CAP SERVICE KIT 15/16-20	1175651	1	-	-	-	1	-	-	-	1	-	-	-
)	CAP SERVICE KIT 1-1/16-20	1175652	-	1	1	1	-	1	1	1	-	1	1	1

NOTE: This illustration is for reference only. Your unit may differ in appearance or may not include all components shown.



NOTE: This illustration is for reference only. Your unit may differ in appearance or may not include all components shown.



CCH6-1

NOTE: This illustration is for reference only. Your unit may differ in appearance or may not include all components shown.

