



**CCH6**

**Product Specifications**

**HIGH EFFICIENCY 16 SEER TWO-STAGE HEAT PUMP WITH OBSERVER™ COMMUNICATING CONTROL SYSTEM 2 THRU 5 TONS SPLIT SYSTEM**

**208 / 230 Volt, 1-phase, 60 Hz REFRIGERATION CIRCUIT**

- Copeland Scroll® Ultratech™ compressors on all models
- Crankcase Heater factory installed
- Suction line accumulator factory installed
- Bi-flow filter-drier included for field installation
- Integrated solid state control with Time-Temperature Defrost
- High and low pressure switches
- Discharge gas thermostat
- Copper tube / aluminum fin coil

**PERFORMANCE**

- Self configuring installation capabilities with Observer Communicating Wall Control
- Outdoor temperature sensor factory installed
- Ball Bearing PSC Fan Motors on all models
- High performance compressor sound shield standard
- Isolation compressor grommets

**EASY TO INSTALL AND SERVICE**

- Text based diagnostics with Observer Communicating Wall Control
- Only 2 control wires required from communicating indoor unit to condenser
- Easy access service valves on all models
- Innovative control box design
- External high and low refrigerant service ports
- Only two screws to access control panel
- Factory charged with R-410A refrigerant

**BUILT TO LAST**

- High gloss, baked-on powder coat finish over galvanized steel
- Post-painted (black) coil fins
- Coated, weather-resistant cabinet screws
- Coated inlet grille with 3/8" (10mm) spacing for extra protection (hail guard)
- Corner posts for extra strength and style

**WARRANTY\***

- 10 year No Hassle Replacement™ limited warranty
- 5 year parts limited warranty (including compressor and coil)
  - With timely registration, an additional 5 year parts limited warranty (including compressor and coil)

\* Applies to original purchaser/homeowner, some limitations may apply. See Warranty certificate for complete details.



TSTAT0101SC



This product has been designed and manufactured to meet ENERGY STAR criteria for energy efficiency when matched with appropriate coil components. However, proper refrigerant charge and proper air flow are critical to achieve rated capacity and efficiency. Installation of this product should follow the manufacturer's refrigerant charging and air flow instructions. Failure to confirm proper charge and airflow may reduce energy efficiency and shorten equipment life.

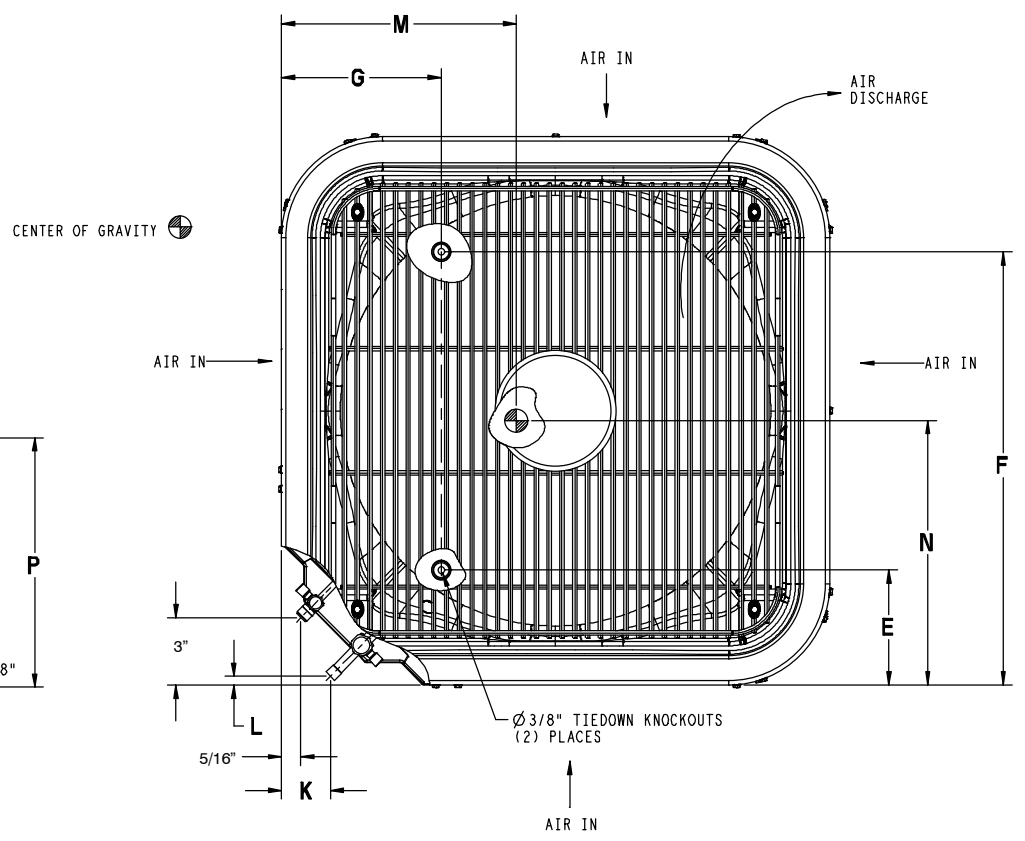
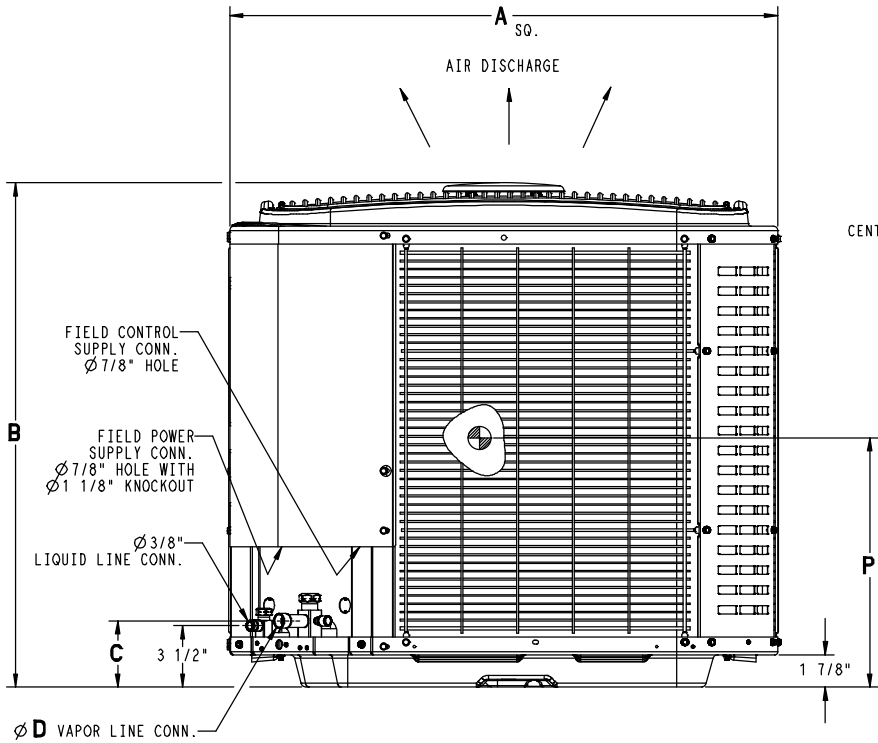


Use of the AHRI Certified TM Mark indicates a manufacturer's participation in the program. For verification of certification for individual products, go to [www.ahridirectory.org](http://www.ahridirectory.org).

Model Number	Size (tons)	Nominal Btu/hr	Min. Circuit Ampacity	Max. Fuse or Breaker	Operating Dimensions height x width x depth in. (mm)	Ship / Operating Weight lbs. (kg)
CCH624GKA	2	24,000	16.4	25	40-1/4 x 35 x 35 (1023 x 889 x 889)	330 / 289 (150 / 131)
CCH636GKA	3	36,000	21.8	35	40-1/4 x 35 x 35 (1023 x 889 x 889)	339 / 291 (151 / 132)
CCH648GKA	4	48,000	34.8	50	40-1/4 x 35 x 35 (1023 x 889 x 889)	337 / 297 (153 / 135)
CCH660GKA	5	60,000	30.1	50	47-1/16 x 35 x 35 (1196 x 889 x 889)	383 / 348 (174 / 158)

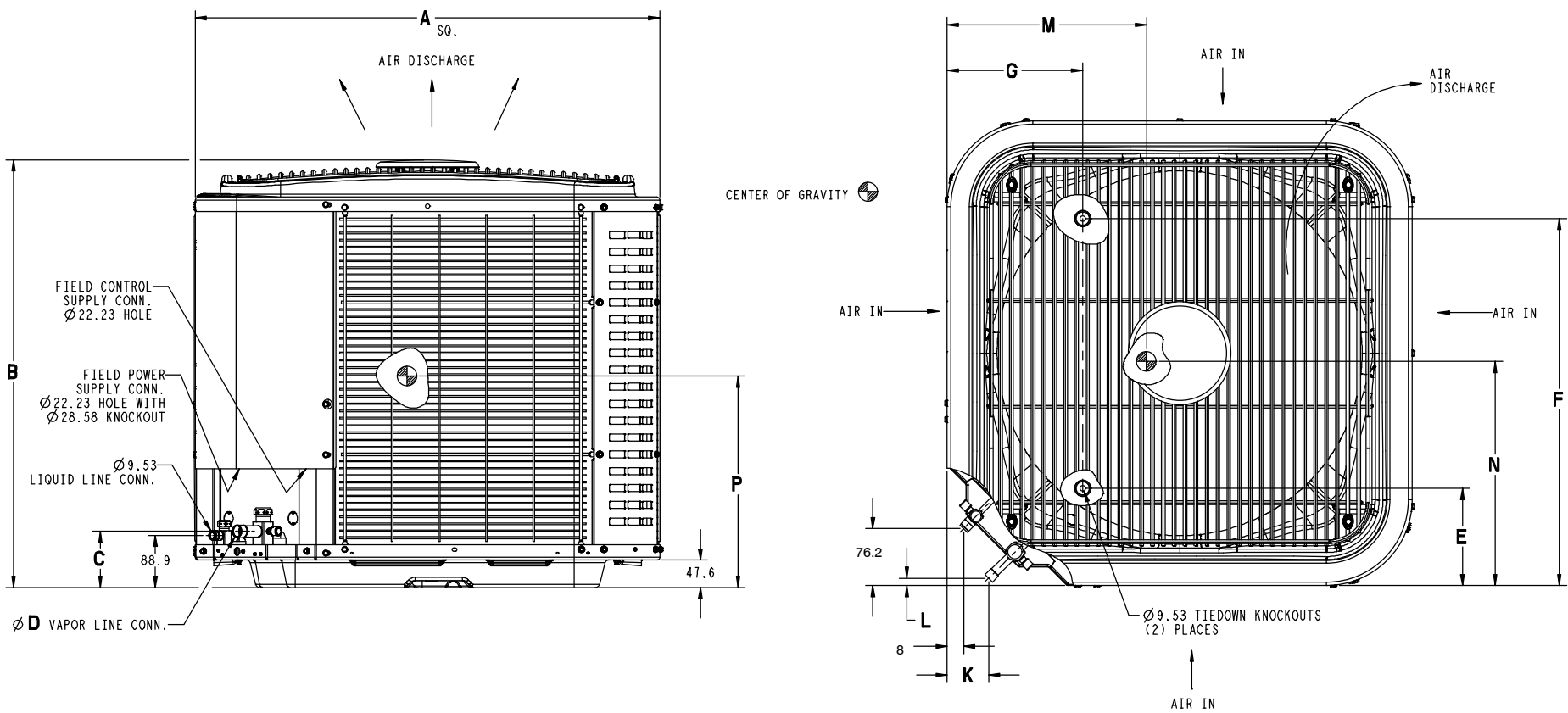
<b>OUTDOOR UNIT MODEL NUMBER IDENTIFICATION GUIDE (single phase)</b>											
Digit Position:	1	2	3	4	5, 6	7	8	9	10	11	12
Example Part Number:	<b>C</b>	<b>C</b>	<b>H</b>	<b>6</b>	<b>24</b>	<b>G</b>	<b>K</b>	<b>A</b>	<b>1</b>	<b>0</b>	<b>0</b>
C = Day & Night Mainline <b>BRANDING</b>											
C = Communicating <b>KEY CHARACTERISTIC</b>											
A = Air Conditioner H = Heat Pump <b>TYPE</b>											
6 = 16 SEER 7 = 17 SEER 8 = 18 SEER 9 = 19 SEER <b>NOMINAL EFFICIENCY</b>											
24 = 24,000 BTUH = 2 tons 36 = 36,000 BTUH = 3 tons 48 = 48,000 BTUH = 4 tons 60 = 60,000 BTUH = 5 tons <b>NOMINAL CAPACITY</b>											
G = Coil Guard Grille <b>FEATURES</b>											
K = 208/230-1-60 <b>VOLTAGE</b>											
Sales Code											
Engineering Revision											
Extra Digit											
Extra Digit											

<b>ACCESSORIES PART NUMBER IDENTIFICATION GUIDE</b>									
Digit Position:	1	2	3	4	5	6, 7	8, 9	10, 11	
Example Part Number:	<b>N</b>	<b>A</b>	<b>S</b>	<b>A</b>	<b>0</b>	<b>01</b>	<b>01</b>	<b>CH</b>	
N = Non-Branded									
A = Accessory <b>PRODUCT GROUP</b>									
S = Split System (AC & HP) <b>KIT USAGE</b>									
A = Original B = 2nd Generation <b>MAJOR SERIES</b>									
0 = Generic or Not Applicable 2 = R-22 4 = R-410A <b>REFRIGERANT</b>									
Product Identifier Number									
Package Quantity									
Type of Kit (Example: CH = Crankcase Heater)									



Dimensions Inches (English)

Model CCH6	A	B	C	D	E	F	G	K	L	M	N	P	Minimum Mounting Pad Size	Crated Dimensions L x W x H
24	35	40-1/4	3-3/4	3/4	6-9/16	28-7/16	9-1/8	2-13/16	1/2	15-3/4	16-3/4	16-1/2	35 x 35	36-1/8 x 39-1/4 x 46-1/8
36	35	40-1/4	3-7/8	7/8	6-9/16	28-7/16	9-1/8	2-15/16	5/8	15-3/4	16-3/4	17	35 x 35	36-1/8 x 39-1/4 x 46-1/8
48	35	40-1/4	3-7/8	7/8	6-9/16	28-7/16	9-1/8	2-15/16	5/8	16-3/4	16-1/4	14	35 x 35	36-1/8 x 39-1/4 x 46-1/8
60	35	47-1/16	3-7/8	7/8	6-9/16	28-7/16	9-1/8	2-15/16	5/8	17-1/4	16-1/4	18-1/4	35 x 35	36-1/8 x 39-1/4 x 50-13/16



Dimensions mm (SI Metric)

Model CCH6	Dimensions mm (SI Metric)												Minimum Mounting Pad Size	Crated Dimensions L x W x H
	A	B	C	D	E	F	G	K	L	M	N	P		
24	889	1023	96	19	166	723	231	71	13	400	426	419	889 x 889	918 x 998 x 1172
36	889	1023	98	22	166	723	231	75	16	400	426	432	889 x 889	918 x 998 x 1172
48	889	1023	98	22	166	723	231	75	16	426	413	356	889 x 889	918 x 998 x 1172
60	889	1196	98	22	166	723	231	75	16	438	413	464	889 x 889	918 x 998 x 1172

PHYSICAL DATA					
Model Size		24	36	48	60
Nominal Cooling Capacity (BTU/hr)		24,000	36,000	48,000	60,000
SEER Rating‡		16.5	17.0	16.0	15.7
Sound Rating**, High Stage (dBA) Low Stage (dBA)		71	72	74	73
		69	71	71	73
PSC Fan Motor HP		1/12	1/8	1/4	1/4
Fan RPM		800	810	825	825
Fan CFM		3200	3900	4350	5000
Coil Face Area (ft <sup>2</sup> )		25.15	25.15	25.15	30.18
Coil Rows – fins per inch		2–20	2–20	2–20	2–20
Low Pressure Switch	Open Pressure	23 ± 5 PSIG	23 ± 5 PSIG	23 ± 5 PSIG	23 ± 5 PSIG
	Close Pressure	55 ± 5 PSIG	55 ± 5 PSIG	55 ± 5 PSIG	55 ± 5 PSIG
Hi Pressure Switch	Open Pressure	670 ± 10 PSIG	670 ± 10 PSIG	670 ± 10 PSIG	670 ± 10 PSIG
	Close Pressure	470 ± 25 PSIG	470 ± 25 PSIG	470 ± 25 PSIG	470 ± 25 PSIG
Liquid Line Connection Size in. (mm)		3/8 (10)	3/8 (10)	3/8 (10)	3/8 (10)
Vapor Line Connection Size in. (mm)		3/4 (19)	7/8 (22)	7/8 (22)	7/8 (22)
Recommended Line Set Liquid Tube Diameter in. (mm)		3/8 (10)	3/8 (10)	3/8 (10)	3/8 (10)
Recommended Line Set Vapor Tube Diameter in. (mm)*		3/4 (19)*	7/8 (22)*	1–1/8 (29)*	1–1/8 (29)*
* Recommended Vapor Tube Line size is for standard installations. These recommendations may not apply to “Long Line” installations. When the total equivalent line length exceeds 80 feet (24.4m) or there is more than 20 feet (6.1m) vertical separation between indoor and outdoor units, consult the Long Line Application Guideline document before purchasing/installing line sets.					
Factory Charge R-410A lbs. (kg)		14.00 (6.35)	14.00 (6.40)	14.25 (6.46)	15.45 (7.01)
Required Subcooling °F (°C)		9 (5)	12 (7)	12 (7)	11 (6)
Outdoor Unit Factory Piston Size (used in Outdoor Unit for heating mode)		46	57	61	67

ELECTRICAL DATA (208/230–1–60, voltage range 197V – 253V)					
Model Size		24	36	48	60
Minimum Circuit Ampacity – <b>MCA</b> (amps)		16.4	21.8	34.8	30.1
Maximum OverCurrent Protective device – <b>MOCP</b> (amps)		25	35	50	50
Compressor <b>RLA</b> (Rated Load Amps) <b>LRA</b> (Locked Rotor Amps)		12.7	16.7	26.9	23.0
		52.0	82.0	96.0	118.0
Fan Motor <b>FLA</b> (Full Load Amps)		0.5	0.9	1.3	1.4

‡ Highest sales volume tested combination.

\*\*Sound Rating tested in accordance with AHRI Standard 270–95 (not listed with AHRI).

R-410A COOLING CAPACITY LOSS FOR VARIOUS LINE LENGTHS & TUBE DIAMETERS											
Unit Nominal Size (Btuh)	Maximum Liquid Line Diameter (OD) in.(mm)	Vapor Line Diameters (OD) in. (mm)	Cooling Capacity Loss (%) at Total Equivalent Line Length, feet (m)								
			26-50 (7.9-15.2)	51-80 (15.5-24.4)	81-100 (24.7-30.5)	101-125 (30.8-38.1)	126-150 (38.4-45.7)	151-175 (46.0-50.3)	176-200 (53.6-60.0)	201-225 (61.3-68.6)	226-250 (68.9-76.2)
24 2-Stage HP	3/8 (10)	5/8 (16)	0	1	1	2	3	3	4	4	5
		3/4 (19)	0	1	1	1	1	1	1	1	1
36 2-Stage HP		5/8 (16)	1	2	4	5	6	7	9	10	11
		3/4 (19)	0	0	1	1	2	2	3	3	4
		7/8 (22)	0	0	-	-	-	-	-	-	-
48 2-Stage HP		3/4 (19)	1	2	2	3	4	5	6	7	7
		7/8 (22)	0	1	1	2	2	2	3	3	4
		1-1/8 (29)	0	0	-	-	-	-	-	-	-
60 2-Stage HP		3/4 (19)	1	2	4	5	6	8	9	10	11
		7/8 (22)	0	1	2	2	3	4	4	5	5
		1-1/8 (29)	0	0	-	-	-	-	-	-	-

Standard Length – 80 ft. (24.4m) or less total equivalent length.

Applications in this area are long line. Accessories are required as shown recommended on the AC & HP R410A Split System Long Line Applications Guideline.

Applications in this area may have height restrictions that limit allowable total equivalent length, when outdoor unit is below indoor unit.

- Applications in this area are not recommended due to insufficient oil return.

**COOLING & HEATING PERFORMANCE FOR COMBINATION RATINGS Indoor Models**

Unit Size	Indoor Model	Furnace Model	AHRI STANDARD RATINGS														HSPF
			Cooling						Heating								
			Capacity		SEER	EER	ID CFM		High Temp				Low Temp				
			High	Low			High	Low	E Capacity		E COP		H Capacity		H COP		
						High	Low	High	Low	High	Low	High	Low	High	Low		
CCH624GKA	*FVM4X24****		23800	20200	16.5	13	700	560	25400	17700	3.82	3.82	15300	9500	2.72	2.18	9
	FCM4X24****		23800	20200	16.2	13	700	560	25400	16800	3.82	3.82	15300	9400	2.74	2.18	9
	FCM4X36****		24000	20200	16.5	13	700	560	25200	16800	3.82	3.84	15200	9400	2.76	2.2	9
	FVM4X36****		23800	20200	16.5	13	700	560	25200	16800	3.82	3.84	15200	9400	2.76	2.2	9
	EA*4X24*14A*	*8MV*0701412**	23600	20000	16	12.7	700	560	25200	16800	3.76	3.8	15300	9400	2.72	2.18	8.7
	EA*4X24*14A*	*8MX*0451408**	23600	20000	15.7	12.5	710	580	25400	17000	3.72	3.78	15400	9600	2.68	2.16	8.7
	EA*4X24*14A*	*9MV*0401410A**	23200	19800	15	11.7	690	555	25600	17800	3.58	3.64	15600	9700	2.58	2.1	8.5
	EA*4X24*14A*	*9MX*0401410A**	23600	19700	15	11.5	775	525	26200	17600	3.62	3.6	16000	9500	2.58	2.08	8.2
	EA*4X24*14A*		23200	19700	13.7	11.5	700	560	25800	17300	3.5	3.48	15900	10100	2.52	2	8
	EA*4X24*17A*	*8MV*0901716**	23800	20000	16.2	13	700	560	25200	16800	3.78	3.8	15200	9400	2.74	2.18	8.7
	EA*4X24*17A*	*9MA*0601714A**	23600	20000	16	12.5	700	560	25200	17700	3.7	3.74	15400	9500	2.68	2.16	8.5
	EA*4X24*17A*	*9MA*0801714A**	23600	20000	16	12.5	700	560	25400	17600	3.72	3.76	15300	9500	2.7	2.16	8.7
	EA*4X24*17A*	*9MV*0401410A**	23400	19800	15	11.7	700	560	25600	17800	3.58	3.66	15600	9700	2.58	2.1	8.5
	EA*4X24*17A*	*9MV*0601714A**	23400	20200	16	12.5	675	600	25200	17800	3.68	3.84	15300	9600	2.66	2.18	8.7
	EA*4X24*17A*	*9MV*0801716A**	23600	20400	16	12.5	690	620	25200	17900	3.72	3.9	15300	9700	2.7	2.2	8.7
	EA*4X24*17A*	*9MX*0401410A**	23600	19600	15.2	11.8	785	530	25600	17600	3.64	3.62	16000	9500	2.6	2.1	8.5
	EA*4X24*17A*	*9MX*0601714A**	24400	21000	16	12.5	905	705	25600	18200	3.86	4.02	15900	9900	2.72	2.22	9
	EA*4X24*17A*	MV08B15**B*	23800	20000	16.2	13	700	560	25200	17600	3.78	3.8	15200	9400	2.74	2.18	8.7
	EA*4X24*17A*	OLV098A12A	23800	19100	15.5	12.5	719	460	25400	16300	3.74	3.46	15400	9100	2.7	2.06	8.2
	EA*4X24*17A*	OMV098J12A	23800	19800	16	12.5	724	548	25400	16800	3.74	3.74	15400	9400	2.68	2.16	8.5
	EA*4X24*17A*	OMV112K14A	23600	20200	16	12.7	689	580	25200	16900	3.74	3.84	15300	9500	2.7	2.2	8.7
	EA*4X24*17A*		23200	19700	13.7	11.5	700	560	25800	17300	3.5	3.48	15900	10100	2.52	2	8
	EA*4X30*14A*	*8MV*0701412**	23600	20000	16	12.7	700	560	25400	16800	3.78	3.84	15300	9400	2.74	2.2	8.7
	EA*4X30*14A*	*8MX*0451408**	23800	20000	15.7	12.5	720	585	25600	17000	3.76	3.84	15500	9600	2.72	2.18	8.7
	EA*4X30*14A*	*9MV*0401410A**	23200	19800	15	11.7	695	560	25600	17800	3.6	3.7	15700	9700	2.6	2.12	8.5
	EA*4X30*14A*	*9MX*0401410A**	23600	19600	15	11.5	780	530	26200	17700	3.66	3.66	16000	9500	2.6	2.1	8.5
	EA*4X30*14A*		23200	19700	13.7	11.5	700	560	25800	17300	3.52	3.5	15900	10100	2.54	2	8
	EA*4X30*17A*	*8MV*0901716**	23800	20000	16.2	13	700	560	25200	16800	3.82	3.86	15200	9400	2.76	2.2	8.7
	EA*4X30*17A*	*9MA*0601714A**	23600	20000	16	12.5	700	560	25200	17700	3.74	3.8	15400	9500	2.7	2.16	8.7
	EA*4X30*17A*	*9MA*0801714A**	23600	20000	16	12.5	700	560	25400	17700	3.76	3.8	15400	9500	2.72	2.18	8.7
	EA*4X30*17A*	*9MV*0401410A**	23400	19800	15	12	710	570	25800	17900	3.64	3.72	15700	9700	2.62	2.12	8.5
	EA*4X30*17A*	*9MV*0601714A**	23600	20400	16	12.5	690	620	25400	18000	3.72	3.92	15400	9700	2.7	2.2	8.7
EA*4X30*17A*	*9MV*0801716A**	23800	20600	16	12.7	710	645	25400	18000	3.78	4	15400	9700	2.74	2.24	9	
EA*4X30*17A*	*9MX*0401410A**	23800	19600	15.2	11.5	795	540	25600	17700	3.68	3.68	16000	9500	2.62	2.12	8.5	
EA*4X30*17A*	MV08B15**B*	23800	20000	16.2	13	700	560	25200	17600	3.82	3.86	15200	9400	2.76	2.2	8.7	
EA*4X30*17A*	OLV098A12A	23800	19100	15.5	12.5	719	460	25400	16400	3.78	3.5	15400	9200	2.74	2.06	8.2	
EA*4X30*17A*	OMV098J12A	23800	19800	16	12.5	724	548	25600	16800	3.78	3.78	15500	9400	2.72	2.18	8.7	

\* Tested Combo

Unit Size	Indoor Model	Furnace Model	AHRI STANDARD RATINGS														
			Cooling						Heating								
			Capacity		SEER	EER	ID CFM		High Temp				Low Temp				HSPF
			High	Low			High	Low	E Capacity		E COP		H Capacity		H COP		
				High	Low	High	Low	High	Low	High	Low	High	Low	High	Low		
CCH624GKA	EA*4X30*17A*	OMV112K14A	23600	20200	16.2	12.7	689	580	25200	16900	3.78	3.88	15300	9500	2.74	2.22	9
	EA*4X30*17A*		23200	19700	13.7	11.5	700	560	25800	17300	3.52	3.5	15900	10100	2.54	2	8
	EA*4X36*14A*	*8MV*0701412**	23800	20000	16.2	12.7	700	560	25000	16800	3.8	3.86	15300	9400	2.74	2.2	8.7
	EA*4X36*14A*	*8MX*0451408**	23800	20200	16	12.5	725	590	25600	17100	3.78	3.86	15500	9600	2.72	2.18	8.7
	EA*4X36*14A*	*9MV*0401410A**	23400	19800	15	12	700	565	25400	17900	3.64	3.72	15700	9700	2.6	2.12	8.5
	EA*4X36*14A*	*9MX*0401410A**	23800	19600	15.2	11.7	785	535	26200	17700	3.68	3.68	16000	9500	2.62	2.12	8.5
	EA*4X36*14A*		23200	19700	13.7	11.5	700	560	25000	17300	3.54	3.52	15900	10100	2.54	2	8
	EA*4X36*17A*	*8MV*0901716**	23800	20000	16.2	13	700	560	25000	16800	3.84	3.86	15300	9400	2.76	2.2	8.7
	EA*4X36*17A*	*9MA*0601714A**	23600	20000	16	12.5	700	560	25000	17700	3.76	3.8	15400	9500	2.72	2.16	8.7
	EA*4X36*17A*	*9MA*0801714A**	23800	20000	16	12.7	700	560	25000	17700	3.78	3.82	15400	9500	2.72	2.18	8.7
	EA*4X36*17A*	*9MV*0401410A**	23400	20000	15.2	12	710	570	25400	17900	3.66	3.76	15700	9700	2.62	2.12	8.5
	EA*4X36*17A*	*9MV*0601714A**	23600	20400	16	12.5	695	630	25000	18000	3.76	3.96	15400	9700	2.72	2.22	9
	EA*4X36*17A*	*9MV*0801716A**	23800	20600	16	12.7	715	655	25000	18100	3.82	4.02	15400	9700	2.74	2.24	9
	EA*4X36*17A*	*9MX*0401410A**	23800	19800	15.2	11.7	800	540	25800	17700	3.7	3.7	16000	9500	2.62	2.12	8.5
	EA*4X36*17A*	MV08B15**B*	23800	20000	16.2	13	700	560	25200	17600	3.84	3.86	15200	9400	2.78	2.2	8.7
	EA*4X36*17A*	OLV098A12A	23800	19200	15.5	12.5	719	460	25400	16400	3.82	3.52	15400	9200	2.74	2.08	8.2
	EA*4X36*17A*	OMV098J12A	23800	19800	16	12.5	724	548	25600	16800	3.8	3.8	15500	9400	2.72	2.18	8.7
	EA*4X36*17A*	OMV112K14A	23600	20200	16.2	13	689	580	25200	16900	3.8	3.9	15300	9500	2.74	2.22	9
	EA*4X36*17A*		23200	19700	13.7	11.5	700	560	25000	17300	3.54	3.52	15900	10100	2.54	2	8
	EA*4X36*21A*	*8MV*1102120**	23800	21000	16.5	13	705	705	25000	17400	3.84	4.16	15300	9800	2.78	2.3	9.2
	EA*4X36*21A*	*9MA*0601714A**	23600	20000	16	12.5	700	560	25000	17700	3.78	3.82	15400	9500	2.72	2.18	8.7
	EA*4X36*21A*	*9MA*0602120A**	24000	19700	15.7	12.5	650	516	25800	17600	3.72	3.7	15900	10700	2.62	2.18	8.5
	EA*4X36*21A*	*9MA*0801714A**	23800	20000	16	12.7	700	560	25000	17700	3.8	3.82	15300	9500	2.74	2.18	8.7
	EA*4X36*21A*	*9MA*0802120A**	24000	20600	16.2	12.5	650	650	25800	18200	3.74	4.02	15800	11100	2.64	2.28	9
	EA*4X36*21A*	*9MA*1002122A**	24000	20600	16.2	12.5	650	650	25800	18200	3.76	4.04	15800	11000	2.64	2.28	9
	EA*4X36*21A*	*9MV*0601714A**	23800	20600	16	12.7	710	655	25000	18100	3.78	4	15400	9800	2.72	2.22	9
	EA*4X36*21A*	*9MV*0801716A**	24000	20800	16.2	13	735	680	25200	18200	3.84	4.08	15400	9800	2.76	2.26	9
	EA*4X36*21A*	*9MV*0802120A**	24200	21400	16.5	13	790	760	25400	18400	3.94	4.22	15500	10000	2.8	2.3	9.2
	EA*4X36*21A*	*9MV*1002120A**	24600	21600	16.5	13	840	810	25600	18500	4	4.28	15600	10000	2.84	2.32	9.5
	EA*4X36*21A*	MV12F19**B*	23800	20000	16.2	13	700	560	25200	17700	3.86	3.84	15200	9400	2.78	2.2	8.7
	EA*4X36*21A*		23200	19700	13.7	11.5	700	560	25000	17300	3.54	3.52	15900	10100	2.54	2	8
	EHD4X24A**	*8MV*0701412**	23800	20000	16	12.7	700	560	25400	16900	3.82	3.82	15400	9500	2.72	2.18	8.7
	EHD4X24A**	*8MV*0901716**	23800	20000	16	12.7	700	560	25400	16900	3.82	3.82	15300	9500	2.74	2.18	8.7
	EHD4X24A**	*8MV*1102120**	23800	21000	16	12.7	705	705	25600	17500	3.8	4.06	15400	10000	2.72	2.24	9
	EHD4X24A**	*8MV*1352422**	23800	20800	16	12.7	700	680	25400	17400	3.82	4.04	15400	9900	2.72	2.24	9
	EHD4X24A**	*8MX*0451408**	23600	20000	15.5	12.5	685	555	25400	16900	3.74	3.76	15400	9600	2.68	2.14	8.5
	EHD4X24A**	*9MA*0601714A**	23600	20000	15.5	12.5	700	560	25400	17800	3.74	3.76	15500	9600	2.68	2.14	8.5
	EHD4X24A**	*9MA*0602120A**	24000	19700	15.5	12.2	650	520	26400	17900	3.7	3.76	16000	10900	2.58	2.18	8.5
	EHD4X24A**	*9MA*0801714A**	23600	20000	15.7	12.5	700	560	25600	17700	3.76	3.78	15400	9500	2.7	2.16	8.7
	EHD4X24A**	*9MA*0802120A**	24000	20600	15.7	12.5	650	650	26400	18300	3.72	3.96	15900	11200	2.6	2.24	8.7
	EHD4X24A**	*9MA*1002122A**	24000	20600	15.7	12.5	650	650	26400	18300	3.74	3.96	15900	11200	2.6	2.24	8.7



Unit Size	Indoor Model	Furnace Model	AHRI STANDARD RATINGS															
			Cooling						Heating									
			Capacity		SEER	EER	ID CFM		High Temp				Low Temp				HSPF	
			High	Low			High	Low	E Capacity		E COP		H Capacity		H COP			
				High	Low	High	Low	High	Low	High	Low	High	Low	High	Low			
CCH624GKA	EHD4X24A**	*9MA*1202422A**	23600	20800	15.7	12.5	700	680	25400	18300	3.78	4	15400	9900	2.7	2.2	9	
	EHD4X24A**	*9MV*0401410A**	23200	19600	15	11.7	665	530	25600	17700	3.58	3.6	15600	9600	2.56	2.08	8.2	
	EHD4X24A**	*9MV*0601714A**	23200	19600	15.5	12.2	635	530	25200	17600	3.64	3.68	15300	9500	2.64	2.12	8.5	
	EHD4X24A**	*9MV*0801716A**	23200	19800	15.7	12.5	645	550	25200	17700	3.68	3.74	15300	9500	2.66	2.14	8.5	
	EHD4X24A**	*9MV*0802120A**	23000	20200	15.7	12.5	615	580	25000	17800	3.64	3.82	15200	9600	2.64	2.18	8.7	
	EHD4X24A**	*9MV*1002120A**	23200	20200	15.7	12.5	625	590	25000	17900	3.66	3.84	15200	9700	2.64	2.18	8.7	
	EHD4X24A**	*9MV*1202422A**	23200	20200	15.7	12.5	635	585	25200	17900	3.68	3.84	15200	9600	2.66	2.16	8.7	
	EHD4X24A**	*9MX*0401410A**	23600	19600	15	11.5	755	505	25600	17600	3.66	3.56	16000	9500	2.58	2.06	8.2	
	EHD4X24A**	*9MX*0601714A**	24400	20800	15.7	12.2	860	660	25600	18200	3.88	3.96	16000	9900	2.72	2.2	9	
	EHD4X24A**	MV08B15**B*	23800	20000	16.2	12.7	700	560	25400	17700	3.84	3.82	15300	9500	2.74	2.18	8.7	
	EHD4X24A**	MV12F19**B*	23800	20000	16	12.7	700	560	25400	17700	3.84	3.8	15300	9500	2.74	2.16	8.7	
	EHD4X24A**	OLV098A12A	23800	19100	15.2	12.2	719	460	25600	16400	3.78	3.48	15500	9200	2.68	2.04	8.2	
	EHD4X24A**	OMV098J12A	23800	19800	15.7	12.2	724	548	25800	16900	3.78	3.76	15600	9500	2.68	2.16	8.7	
	EHD4X24A**	OMV112K14A	23600	20200	16	12.5	689	580	25400	17000	3.76	3.84	15400	9600	2.7	2.18	8.7	
	EHD4X24A**			23200	19600	14	11.5	700	560	26000	17300	3.56	3.52	15900	10100	2.54	2	8
	EHD4X30A**	*8MV*0701412**	23800	20000	16.2	12.7	700	560	25400	16900	3.84	3.84	15300	9500	2.74	2.2	8.7	
	EHD4X30A**	*8MV*0901716**	23800	20200	16.2	13	700	560	25400	16900	3.86	3.86	15300	9400	2.76	2.2	8.7	
	EHD4X30A**	*8MV*1102120**	23800	21200	16.2	13	705	705	25400	17500	3.86	4.12	15300	9900	2.74	2.26	9	
	EHD4X30A**	*8MV*1352422**	23800	21000	16.5	13	700	680	25400	17300	3.86	4.1	15300	9800	2.76	2.26	9	
	EHD4X30A**	*8MX*0451408**	23800	20200	16	12.5	715	580	25600	17000	3.82	3.84	15500	9600	2.72	2.18	8.7	
	EHD4X30A**	*9MA*0601714A**	23600	20000	16	12.5	700	560	25400	17700	3.78	3.8	15400	9500	2.7	2.16	8.7	
	EHD4X30A**	*9MA*0602120A**	24000	19600	15.5	12.2	650	520	26400	17900	3.74	3.8	15900	10900	2.6	2.2	8.5	
	EHD4X30A**	*9MA*0801714A**	23800	20000	16	12.5	700	560	25600	17700	3.8	3.82	15400	9500	2.72	2.16	8.7	
	EHD4X30A**	*9MA*0802120A**	24000	20600	16	12.5	650	650	26400	18300	3.76	4	15900	11100	2.62	2.26	8.7	
	EHD4X30A**	*9MA*1002122A**	24000	20600	16	12.5	650	650	26400	18300	3.78	4	15900	11100	2.62	2.26	8.7	
	EHD4X30A**	*9MA*1202422A**	23800	21000	16	12.7	700	680	25400	18200	3.82	4.04	15400	9900	2.72	2.24	9	
	EHD4X30A**	*9MV*0401410A**	23400	19800	15	12	690	555	25800	17800	3.66	3.7	15700	9700	2.6	2.1	8.5	
	EHD4X30A**	*9MV*0601714A**	23400	20200	16	12.5	665	585	25400	17900	3.74	3.86	15300	9600	2.68	2.18	8.7	
	EHD4X30A**	*9MV*0801716A**	23600	20400	16	12.7	680	605	25400	17900	3.78	3.92	15300	9600	2.7	2.2	8.7	
	EHD4X30A**	*9MV*0802120A**	23600	20800	16	12.7	680	650	25400	18100	3.8	4.02	15300	9800	2.72	2.24	9	
	EHD4X30A**	*9MV*1002120A**	23800	21000	16.2	12.7	705	675	25600	18200	3.84	4.06	15400	9800	2.74	2.24	9	
	EHD4X30A**	*9MV*1202422A**	23800	20800	16	12.7	690	650	25400	18100	3.8	4.02	15300	9800	2.72	2.22	9	
	EHD4X30A**	*9MX*0401410A**	23800	19600	15.2	11.5	780	530	25800	17700	3.72	3.66	16000	9500	2.62	2.1	8.5	
	EHD4X30A**	*9MX*0601714A**	24600	21000	16	12.5	895	695	25800	18300	3.96	4.06	16000	9900	2.74	2.24	9	
	EHD4X30A**	MV08B15**B*	23800	20200	16.2	13	700	560	25400	17600	3.86	3.86	15300	9400	2.76	2.2	8.7	
	EHD4X30A**	MV12F19**B*	23800	20000	16.2	13	700	560	25400	17700	3.88	3.82	15300	9500	2.76	2.18	8.7	
EHD4X30A**	OLV098A12A	23800	19200	15.5	12.5	719	460	25600	16400	3.84	3.5	15500	9200	2.72	2.06	8.2		
EHD4X30A**	OMV098J12A	23800	20000	16	12.5	724	548	25800	16800	3.82	3.78	15500	9500	2.7	2.16	8.7		
EHD4X30A**	OMV112K14A	23800	20200	16	12.7	689	580	25400	17000	3.82	3.88	15300	9500	2.72	2.2	9		
EHD4X30A**			23200	19600	14	11.5	700	560	26000	17400	3.58	3.52	15900	10100	2.54	2	8	
EHD4X36A**	*8MV*0701412**	23800	20000	16.2	13	700	560	25000	16900	3.9	3.9	15300	9500	2.78	2.2	8.7		

Unit Size	Indoor Model	Furnace Model	AHRI STANDARD RATINGS														HSPF
			Cooling						Heating								
			Capacity		SEER	EER	ID CFM		High Temp				Low Temp				
			High	Low			High	Low	E Capacity		E COP		H Capacity		H COP		
						High	Low	High	Low	High	Low	High	Low				
CCH624GKA	EHD4X36A**	*8MV*0901716**	23800	20000	16.2	13	700	560	25000	16900	3.92	3.9	15300	9500	2.78	2.22	9
	EHD4X36A**	*8MV*1102120**	23800	21000	16.5	13	705	705	25000	17500	3.9	4.2	15300	9900	2.78	2.3	9.2
	EHD4X36A**	*8MV*1352422**	23800	21000	16.5	13	700	680	25000	17400	3.92	4.18	15300	9800	2.78	2.3	9.2
	EHD4X36A**	*8MX*0451408**	24000	20200	16	12.5	735	590	25000	17100	3.9	3.92	15500	9700	2.76	2.2	9
	EHD4X36A**	*9MA*0601714A**	23800	20000	16	12.5	700	560	25000	17800	3.84	3.84	15400	9500	2.72	2.18	8.7
	EHD4X36A**	*9MA*0602120A**	24000	19700	15.7	12.5	650	520	26000	17900	3.8	3.84	15900	10900	2.64	2.22	8.7
	EHD4X36A**	*9MA*0801714A**	23800	20000	16	12.7	700	560	25000	17800	3.86	3.86	15400	9500	2.74	2.18	8.7
	EHD4X36A**	*9MA*0802120A**	24000	20600	16	12.5	650	650	26000	18300	3.82	4.06	15900	11100	2.66	2.28	9
	EHD4X36A**	*9MA*1002122A**	24000	20600	16	12.5	650	650	26000	18300	3.82	4.06	15900	11100	2.66	2.28	9
	EHD4X36A**	*9MA*1202422A**	23800	20800	16.2	12.7	700	680	25000	18300	3.88	4.12	15400	9900	2.76	2.26	9
	EHD4X36A**	*9MV*0401410A**	23400	20000	15.2	12	705	565	25600	17900	3.72	3.78	15700	9700	2.64	2.12	8.5
	EHD4X36A**	*9MV*0601714A**	23600	20400	16	12.5	685	610	25200	18000	3.82	3.96	15400	9700	2.72	2.2	9
	EHD4X36A**	*9MV*0801716A**	23800	20600	16	12.7	705	635	25200	18100	3.88	4.04	15400	9700	2.76	2.24	9
	EHD4X36A**	*9MV*0802120A**	24000	21000	16.2	13	730	695	25200	18300	3.94	4.16	15400	9900	2.78	2.28	9.2
	EHD4X36A**	*9MV*1002120A**	24200	21200	16.2	13	770	735	25800	18400	4	4.22	15500	10000	2.8	2.3	9.2
	EHD4X36A**	*9MV*1202422A**	24000	21000	16.2	13	740	700	25400	18300	3.94	4.18	15500	9900	2.78	2.28	9.2
	EHD4X36A**	*9MX*0401410A**	23800	19600	15.2	11.7	795	535	25000	17700	3.78	3.72	16100	9500	2.64	2.12	8.5
	EHD4X36A**	*9MX*0601714A**	24800	21000	16	12.5	925	715	25000	18400	4.04	4.16	16100	10000	2.8	2.26	9.2
	EHD4X36A**	MV08B15**B*	23800	20000	16.2	13	700	560	25400	17700	3.92	3.9	15300	9400	2.78	2.2	9
	EHD4X36A**	MV12F19**B*	23800	20000	16.2	13	700	560	25400	17700	3.92	3.88	15300	9500	2.8	2.2	8.7
	EHD4X36A**	OLV098A12A	23800	19200	15.5	12.5	719	460	25000	16400	3.88	3.54	15500	9200	2.76	2.08	8.5
	EHD4X36A**	OMV098J12A	23800	20000	16	12.5	724	548	25000	16900	3.88	3.84	15500	9500	2.74	2.18	8.7
	EHD4X36A**	OMV112K14A	23800	20200	16.2	12.7	689	580	25000	17000	3.88	3.94	15300	9500	2.76	2.22	9
	EHD4X36A**		23200	19700	14	11.5	700	560	25000	17400	3.62	3.56	15900	10100	2.56	2.02	8.2
	EN(A,D)4X24*14**	*8MV*0701412**	23800	20000	16	12.7	700	560	25400	16800	3.82	3.82	15300	9500	2.72	2.18	8.7
	EN(A,D)4X24*14**	*8MX*0451408**	23600	20000	15.7	12.5	695	565	25600	16900	3.76	3.76	15400	9600	2.68	2.14	8.5
	EN(A,D)4X24*14**	*9MV*0401410A**	23200	19800	15	11.7	675	545	25800	17800	3.62	3.64	15600	9600	2.56	2.08	8.5
	EN(A,D)4X24*14**	*9MX*0401410A**	23600	19700	15	11.5	765	515	26200	17600	3.68	3.6	16000	9500	2.58	2.08	8.2
	EN(A,D)4X24*14**		23200	19600	14	11.5	700	560	26000	17300	3.56	3.5	15900	10100	2.52	2	8
	EN(A,D)4X24*17**	*8MV*0901716**	23800	20000	16.2	12.7	700	560	25400	16800	3.84	3.82	15300	9400	2.72	2.18	8.7
	EN(A,D)4X24*17**	*9MA*0601714A**	23600	20000	15.7	12.5	700	560	25400	17700	3.76	3.76	15400	9500	2.66	2.14	8.5
	EN(A,D)4X24*17**	*9MA*0801714A**	23600	20000	15.7	12.5	700	560	25600	17700	3.78	3.78	15400	9500	2.68	2.16	8.7
	EN(A,D)4X24*17**	*9MV*0401410A**	23200	19800	15	11.7	675	545	25800	17800	3.62	3.64	15600	9600	2.56	2.08	8.5
	EN(A,D)4X24*17**	*9MV*0601714A**	23200	20000	15.7	12.5	650	560	25200	17700	3.7	3.76	15300	9500	2.64	2.14	8.5
	EN(A,D)4X24*17**	*9MV*0801716A**	23400	20200	16	12.5	660	575	25400	17800	3.72	3.82	15300	9600	2.66	2.16	8.7
	EN(A,D)4X24*17**	*9MX*0401410A**	23600	19700	15	11.5	765	515	25600	17600	3.68	3.6	16000	9500	2.58	2.08	8.2
	EN(A,D)4X24*17**	*9MX*0601714A**	24400	20800	16	12.5	865	670	25600	18200	3.88	3.96	15900	9900	2.7	2.2	9
	EN(A,D)4X24*17**	MV08B15**B*	23800	20000	16.2	12.7	700	560	25400	17600	3.84	3.82	15300	9400	2.72	2.18	8.7

Unit Size	Indoor Model	Furnace Model	AHRI STANDARD RATINGS														
			Cooling						Heating								
			Capacity		SEER	EER	ID CFM		High Temp				Low Temp				HSPF
			High	Low			High	Low	E Capacity		E COP		H Capacity		H COP		
				High	Low	High	Low	High	Low	High	Low	High	Low	High	Low		
CCH624GKA	EN(A,D)4X24*17**	OLV098A12A	23800	19200	15.5	12.5	719	460	25600	16400	3.8	3.48	15500	9200	2.68	2.06	8.2
	EN(A,D)4X24*17**	OMV098J12A	23800	20000	16	12.5	724	548	25800	16800	3.78	3.76	15500	9500	2.68	2.16	8.5
	EN(A,D)4X24*17**	OMV112K14A	23600	20200	16	12.5	689	580	25400	17000	3.78	3.84	15300	9600	2.7	2.18	8.7
	EN(A,D)4X24*17**		23200	19600	14	11.5	700	560	26000	17300	3.56	3.5	15900	10100	2.52	2	8
	EN(A,D)4X30*14**	*8MV*0701412**	23600	20000	16	12.7	700	560	25400	16800	3.78	3.84	15300	9500	2.74	2.2	8.7
	EN(A,D)4X30*14**	*8MX*0451408**	23600	20000	15.7	12.5	705	580	25400	17000	3.74	3.84	15400	9600	2.7	2.18	8.7
	EN(A,D)4X30*14**	*9MV*0401410A**	23200	19800	15	11.7	685	560	25600	17800	3.6	3.7	15700	9700	2.6	2.12	8.5
	EN(A,D)4X30*14**	*9MX*0401410A**	23600	19600	15	11.5	770	530	26200	17700	3.64	3.66	16000	9500	2.6	2.1	8.5
	EN(A,D)4X30*14**		23200	19700	13.7	11.5	700	560	26000	17300	3.54	3.52	15900	10100	2.54	2	8
	EN(A,D)4X30*17**	*8MV*0901716**	23800	20000	16.2	13	700	560	25200	16800	3.82	3.86	15300	9400	2.76	2.2	8.7
	EN(A,D)4X30*17**	*9MA*0601714A**	23600	20000	16	12.5	700	560	25400	17700	3.74	3.8	15400	9500	2.7	2.16	8.7
	EN(A,D)4X30*17**	*9MA*0801714A**	23600	20000	16	12.5	700	560	25400	17700	3.78	3.82	15400	9500	2.72	2.18	8.7
	EN(A,D)4X30*17**	*9MV*0401410A**	23400	19800	15.2	12	705	570	25800	17900	3.64	3.74	15700	9700	2.62	2.12	8.5
	EN(A,D)4X30*17**	*9MV*0601714A**	23600	20400	16	12.5	685	615	25400	18000	3.72	3.92	15400	9700	2.7	2.2	8.7
	EN(A,D)4X30*17**	*9MV*0801716A**	23600	20600	16	12.7	705	640	25400	18000	3.78	3.98	15400	9700	2.74	2.22	9
	EN(A,D)4X30*17**	*9MX*0401410A**	23800	19600	15.2	11.5	790	540	25600	17700	3.68	3.7	16000	9500	2.62	2.12	8.5
	EN(A,D)4X30*17**	*9MX*0601714A**	24600	21000	16	12.5	910	715	25800	18300	3.9	4.1	16000	9900	2.76	2.26	9
	EN(A,D)4X30*17**	MV08B15**B*	23800	20000	16.2	13	700	560	25200	17600	3.82	3.86	15300	9400	2.76	2.2	8.7
	EN(A,D)4X30*17**	OLV098A12A	23800	19200	15.5	12.5	719	460	25400	16400	3.8	3.5	15400	9100	2.72	2.08	8.2
	EN(A,D)4X30*17**	OMV098J12A	23800	19800	16	12.5	724	548	25600	16800	3.78	3.8	15500	9400	2.72	2.18	8.7
	EN(A,D)4X30*17**	OMV112K14A	23600	20200	16.2	12.7	689	580	25200	16900	3.78	3.9	15300	9500	2.74	2.22	9
	EN(A,D)4X30*17**		23200	19700	13.7	11.5	700	560	26000	17300	3.54	3.52	15900	10100	2.54	2	8
	EN(A,D)4X36*21**	*8MV*1102120**	23800	21000	16.5	13	705	705	25000	17400	3.82	4.14	15300	9800	2.76	2.28	9.2
	EN(A,D)4X36*21**	*9MA*0601714A**	23600	20000	15.7	12.5	700	560	25000	17700	3.76	3.8	15400	9500	2.7	2.16	8.7
	EN(A,D)4X36*21**	*9MA*0602120A**	24000	19700	15.7	12.5	650	520	25800	17800	3.7	3.8	15900	10900	2.62	2.2	8.5
	EN(A,D)4X36*21**	*9MA*0801714A**	23600	20000	16	12.5	700	560	25000	17700	3.78	3.82	15400	9500	2.72	2.18	8.7
	EN(A,D)4X36*21**	*9MA*0802120A**	24000	20400	16	12.5	650	650	25800	18200	3.72	4	15800	11100	2.62	2.28	9
	EN(A,D)4X36*21**	*9MA*1002122A**	24000	20400	16	12.5	650	650	25800	18200	3.72	4.02	15800	11100	2.64	2.28	9
	EN(A,D)4X36*21**	*9MV*0601714A**	23600	20400	16	12.5	685	620	25000	18000	3.72	3.92	15400	9700	2.7	2.2	8.7
	EN(A,D)4X36*21**	*9MV*0801716A**	23600	20600	16	12.7	705	640	25000	18000	3.78	4	15400	9700	2.74	2.24	9
	EN(A,D)4X36*21**	*9MV*0802120A**	23800	20800	16.2	13	725	695	25000	18200	3.82	4.1	15400	9900	2.76	2.26	9
	EN(A,D)4X36*21**	*9MV*1002120A**	24000	21000	16.2	13	760	730	25200	18300	3.88	4.14	15500	9900	2.78	2.28	9.2
	EN(A,D)4X36*21**	*9MX*0601714A**	24600	21000	16	12.5	915	715	26400	18300	3.9	4.1	16000	9900	2.76	2.26	9
	EN(A,D)4X36*21**	MV12F19**B*	23800	20000	16.2	13	700	560	25200	17700	3.84	3.84	15200	9500	2.78	2.18	8.7
	EN(A,D)4X36*21**		23200	19700	13.7	11.5	700	560	25000	17300	3.54	3.52	15900	10100	2.54	2	8
	EN(A,D,W)4X36*17**	*8MV*0901716**	23800	20000	16.2	13	700	560	25000	16800	3.82	3.86	15300	9400	2.76	2.2	8.7
	EN(A,D,W)4X36*17**	*9MA*0601714A**	23600	20000	16	12.5	700	560	25000	17700	3.74	3.8	15400	9500	2.7	2.16	8.7
	EN(A,D,W)4X36*17**	*9MA*0801714A**	23600	20000	16	12.5	700	560	25000	17700	3.78	3.82	15400	9500	2.72	2.18	8.7
	EN(A,D,W)4X36*17**	*9MV*0401410A**	23400	19800	15.2	12	705	570	25400	17900	3.64	3.74	15700	9700	2.62	2.12	8.5
	EN(A,D,W)4X36*17**	*9MV*0601714A**	23600	20400	16	12.5	685	615	25000	18000	3.72	3.92	15400	9700	2.7	2.2	8.7

Unit Size	Indoor Model	Furnace Model	AHRI STANDARD RATINGS														HSPF
			Cooling						Heating								
			Capacity		SEER	EER	ID CFM		High Temp				Low Temp				
			High	Low			High	Low	E Capacity		E COP		H Capacity		H COP		
						High	Low	High	Low	High	Low	High	Low				
CCH624GKA	EN(A,D,W)4X36*17**	*9MV*0801716A**	23600	20600	16	12.7	705	640	25000	18000	3.78	3.98	15400	9700	2.74	2.22	9
	EN(A,D,W)4X36*17**	*9MX*0401410A**	23800	19600	15.2	11.5	790	540	25000	17700	3.68	3.7	16000	9500	2.62	2.12	8.5
	EN(A,D,W)4X36*17**	*9MX*0601714A**	24600	21000	16	12.5	910	715	25000	18300	3.9	4.1	16000	9900	2.76	2.26	9
	EN(A,D,W)4X36*17**	MV08B15**B*	23800	20000	16.2	13	700	560	25200	17600	3.82	3.86	15200	9400	2.76	2.2	8.7
	EN(A,D,W)4X36*17**	OLV098A12A	23800	19200	15.5	12.5	719	460	25000	16400	3.8	3.5	15400	9100	2.72	2.08	8.2
	EN(A,D,W)4X36*17**	OMV098J12A	23800	19800	16	12.5	724	548	25000	16800	3.78	3.8	15500	9400	2.72	2.18	8.7
	EN(A,D,W)4X36*17**	OMV112K14A	23600	20200	16.2	12.7	689	580	25000	16900	3.78	3.9	15300	9500	2.74	2.22	9
	EN(A,D,W)4X36*17**		23200	19700	13.7	11.5	700	560	25000	17300	3.54	3.52	15900	10100	2.54	2	8
	ENH4X24*17**	*8MV*0701412**	23800	20000	16	12.7	700	560	25400	16800	3.82	3.82	15300	9500	2.72	2.18	8.7
	ENH4X24*17**	*8MV*0901716**	23800	20000	16.2	12.7	700	560	25400	16800	3.84	3.82	15300	9400	2.72	2.18	8.7
	ENH4X24*17**	*8MV*1102120**	23800	21000	16	12.7	705	705	25600	17500	3.82	4.04	15400	9900	2.7	2.24	9
	ENH4X24*17**	*8MV*1352422**	23800	21000	16.2	12.7	700	680	25400	17300	3.82	4.04	15300	9800	2.72	2.24	9
	ENH4X24*17**	*8MX*0451408**	23600	20000	15.7	12.5	695	565	25600	16900	3.76	3.76	15400	9600	2.68	2.14	8.5
	ENH4X24*17**	*9MA*0601714A**	23600	20000	15.7	12.5	700	560	25400	17700	3.76	3.76	15400	9500	2.66	2.14	8.5
	ENH4X24*17**	*9MA*0801714A**	23600	20000	15.7	12.5	700	560	25600	17700	3.78	3.78	15400	9500	2.68	2.16	8.7
	ENH4X24*17**	*9MA*1202422A**	23600	20800	16	12.5	700	680	25400	18200	3.78	3.98	15400	9900	2.68	2.2	9
	ENH4X24*17**	*9MV*0401410A**	23200	19800	15	11.7	675	545	25800	17800	3.62	3.64	15600	9600	2.56	2.08	8.5
	ENH4X24*17**	*9MV*0601714A**	23200	20000	15.7	12.5	650	560	25200	17700	3.7	3.76	15300	9500	2.64	2.14	8.5
	ENH4X24*17**	*9MV*0801716A**	23400	20200	16	12.5	660	575	25400	17800	3.72	3.82	15300	9600	2.66	2.16	8.7
	ENH4X24*17**	*9MV*1202422A**	23400	20400	16	12.5	655	615	25200	17900	3.72	3.88	15200	9700	2.66	2.18	8.7
	ENH4X24*17**	*9MX*0401410A**	23600	19700	15	11.5	765	515	25600	17600	3.68	3.6	16000	9500	2.58	2.08	8.2
	ENH4X24*17**	*9MX*0601714A**	24400	20800	16	12.5	865	670	25600	18200	3.88	3.96	15900	9900	2.7	2.2	9
	ENH4X24*17**	MV08B15**B*	23800	20000	16.2	12.7	700	560	25400	17600	3.84	3.82	15300	9400	2.72	2.18	8.7
	ENH4X24*17**	OLV098A12A	23800	19200	15.5	12.5	719	460	25600	16400	3.8	3.48	15500	9200	2.68	2.06	8.2
	ENH4X24*17**	OMV098J12A	23800	20000	16	12.5	724	548	25800	16800	3.78	3.76	15500	9500	2.68	2.16	8.5
	ENH4X24*17**	OMV112K14A	23600	20200	16	12.5	689	580	25400	17000	3.78	3.84	15300	9600	2.7	2.18	8.7
	ENH4X24*17**		23200	19600	14	11.5	700	560	26000	17300	3.56	3.5	15900	10100	2.52	2	8
	ENH4X30*17**	*8MV*0701412**	23800	20000	16.2	12.7	700	560	25400	16800	3.8	3.86	15300	9400	2.74	2.2	8.7
	ENH4X30*17**	*8MV*0901716**	23800	20000	16.2	13	700	560	25200	16800	3.82	3.86	15300	9400	2.76	2.2	8.7
	ENH4X30*17**	*8MV*1102120**	23800	21000	16.5	13	705	705	25400	17400	3.82	4.14	15300	9900	2.76	2.28	9.2
	ENH4X30*17**	*8MV*1352422**	23800	20800	16.5	13	700	680	25200	17300	3.82	4.12	15300	9800	2.76	2.28	9
	ENH4X30*17**	*8MX*0451408**	23800	20200	16	12.5	730	595	25600	17100	3.8	3.88	15500	9600	2.72	2.2	8.7
	ENH4X30*17**	*9MA*0601714A**	23600	20000	15.7	12.5	700	560	25400	17700	3.74	3.8	15400	9500	2.7	2.16	8.7
ENH4X30*17**	*9MA*0801714A**	23600	20000	16	12.5	700	560	25400	17700	3.78	3.82	15400	9500	2.72	2.18	8.7	
ENH4X30*17**	*9MA*1202422A**	23600	20800	16	12.7	700	680	25400	18200	3.78	4.06	15300	9800	2.72	2.24	9	
ENH4X30*17**	*9MV*0401410A**	23400	19800	15.2	12	705	570	25800	17900	3.64	3.74	15700	9700	2.62	2.12	8.5	
ENH4X30*17**	*9MV*0601714A**	23600	20400	16	12.5	685	615	25400	18000	3.72	3.92	15400	9700	2.7	2.2	8.7	
ENH4X30*17**	*9MV*0801716A**	23600	20600	16	12.7	705	640	25400	18000	3.78	3.98	15400	9700	2.74	2.22	9	

		AHRI STANDARD RATINGS															
		Cooling						Heating									
		Capacity		SEER	EER	ID CFM		High Temp				Low Temp				HSPF	
Unit Size	Indoor Model	Furnace Model	High			Low	High	Low	E Capacity		E COP		H Capacity		H COP		
				High	Low				High	Low	High	Low	High	Low			
CCH624GKA	ENH4X30*17**	*9MV*1202422A**	23800	20800	16.2	12.7	730	695	25400	18200	3.82	4.1	15400	9900	2.76	2.26	9
	ENH4X30*17**	*9MX*0401410A**	23800	19600	15.2	11.5	790	540	25600	17700	3.68	3.7	16000	9500	2.62	2.12	8.5
	ENH4X30*17**	*9MX*0601714A**	24600	21000	16	12.5	910	715	25800	18300	3.9	4.1	16000	9900	2.76	2.26	9
	ENH4X30*17**	MV08B15**B*	23800	20000	16.2	13	700	560	25200	17600	3.82	3.86	15200	9400	2.76	2.2	8.7
	ENH4X30*17**	OLV098A12A	23800	19200	15.5	12.5	719	460	25400	16400	3.8	3.5	15400	9100	2.72	2.08	8.2
	ENH4X30*17**	OMV098J12A	23800	19800	16	12.5	724	548	25600	16800	3.78	3.8	15500	9400	2.72	2.18	8.7
	ENH4X30*17**	OMV112K14A	23600	20200	16.2	12.7	689	580	25200	16900	3.78	3.9	15300	9500	2.74	2.22	9
	ENH4X30*17**		23200	19700	13.7	11.5	700	560	26000	17300	3.54	3.52	15900	10100	2.54	2	8
	ENH4X36*17**	*8MV*0701412**	23800	20000	16.2	12.7	700	560	25000	16800	3.8	3.86	15300	9400	2.74	2.2	8.7
	ENH4X36*17**	*8MV*0901716**	23800	20000	16.2	13	700	560	25000	16800	3.82	3.86	15300	9400	2.76	2.2	8.7
	ENH4X36*17**	*8MV*1102120**	23800	21000	16.2	13	705	705	25000	17400	3.82	4.14	15300	9900	2.76	2.28	9.2
	ENH4X36*17**	*8MV*1352422**	23800	20800	16.5	13	700	680	25000	17300	3.82	4.12	15300	9800	2.76	2.28	9
	ENH4X36*17**	*8MX*0451408**	23800	20200	16	12.5	730	595	25000	17100	3.8	3.88	15500	9600	2.72	2.2	8.7
	ENH4X36*17**	*9MA*0601714A**	23600	20000	15.7	12.5	700	560	25000	17700	3.74	3.8	15400	9500	2.7	2.16	8.7
	ENH4X36*17**	*9MA*0801714A**	23600	20000	16	12.5	700	560	25000	17700	3.78	3.82	15400	9500	2.72	2.18	8.7
	ENH4X36*17**	*9MA*1202422A**	23600	20800	16	12.7	700	680	25000	18200	3.78	4.06	15300	9800	2.72	2.24	9
	ENH4X36*17**	*9MV*0401410A**	23400	19800	15.2	12	705	570	25400	17900	3.64	3.74	15700	9700	2.62	2.12	8.5
	ENH4X36*17**	*9MV*0601714A**	23600	20400	16	12.5	685	615	25000	18000	3.72	3.92	15400	9700	2.7	2.2	8.7
	ENH4X36*17**	*9MV*0801716A**	23600	20600	16	12.7	705	640	25000	18000	3.78	3.98	15400	9700	2.74	2.22	9
	ENH4X36*17**	*9MV*1202422A**	23800	20800	16.2	12.7	730	695	25000	18200	3.82	4.1	15400	9900	2.76	2.26	9
	ENH4X36*17**	*9MX*0401410A**	23800	19600	15.2	11.5	790	540	25000	17700	3.68	3.7	16000	9500	2.62	2.12	8.5
	ENH4X36*17**	*9MX*0601714A**	24600	21000	16	12.5	910	715	25000	18300	3.9	4.1	16000	9900	2.76	2.26	9
	ENH4X36*17**	MV08B15**B*	23800	20000	16.2	13	700	560	25200	17600	3.82	3.86	15200	9400	2.76	2.2	8.7
ENH4X36*17**	OLV098A12A	23800	19200	15.5	12.5	719	460	25000	16400	3.8	3.5	15400	9100	2.72	2.08	8.2	
ENH4X36*17**	OMV098J12A	23800	19800	16	12.5	724	548	25000	16800	3.78	3.8	15500	9400	2.72	2.18	8.7	
ENH4X36*17**	OMV112K14A	23600	20200	16.2	12.7	689	580	25000	16900	3.78	3.9	15300	9500	2.74	2.22	9	
ENH4X36*17**		23200	19700	13.7	11.5	700	560	25000	17300	3.54	3.52	15900	10100	2.54	2	8	

ENERGY STAR compliance for combinations with all three: SEER 14.50 or higher and EER 12.00 or higher and HSPF 8.2 or higher.

Unit Size	Indoor Model	Furnace Model	AHRI STANDARD RATINGS															
			Cooling						Heating									
			Capacity		SEER	EER	ID CFM		High Temp				Low Temp				HSPF	
			High	Low			High	Low	E Capacity		E COP		H Capacity		H COP			
						High	Low	High	Low	High	Low	High	Low					
CCH636GKA	*FVM4X60****		36400	29600	17	13.2	1050	840	36000	24000	4.06	4.06	22200	12200	2.94	2.28	9.5	
	FCM4X24****		34600	28600	16	12	1050	840	35600	23800	3.74	3.78	22200	12200	2.74	2.18	9	
	FCM4X36****		34800	28600	16.2	12.5	1050	840	35400	23600	3.74	3.82	22000	12100	2.78	2.2	9	
	FCM4X48****		36000	29400	17	13	1050	840	35800	23800	3.94	4	22200	12200	2.9	2.26	9.5	
	FCM4X60****		36400	29600	17	13.2	1050	840	36000	24000	4.04	4.04	22400	12200	2.94	2.26	9.5	
	FVM4X24****		34400	28400	15.7	12	1050	840	35800	23800	3.72	3.76	22400	12200	2.74	2.16	9	
	FVM4X36****		34800	28600	16.2	12.5	1050	840	35400	23600	3.74	3.82	22000	12100	2.78	2.2	9	
	FVM4X48****		36000	29200	16.7	13	1050	840	35800	24000	3.94	3.98	22200	12200	2.9	2.24	9.2	
	EA*4X36*14A*	*8MV*0701412**		34400	28400	15.7	12	1050	840	35600	23800	3.64	3.78	22400	12300	2.72	2.18	8.7
	EA*4X36*14A*	*8MX*0451408**		34000	27600	15.2	11.5	1045	735	36000	23400	3.56	3.62	22800	12000	2.66	2.12	8.5
	EA*4X36*14A*			34000	27800	14	11.4	1050	840	36200	24400	3.52	3.52	22800	12900	2.64	2.06	8.5
	EA*4X36*17A*	*8MV*0701412**		34400	28400	16	12	1050	840	35600	23800	3.66	3.78	22400	12200	2.74	2.18	8.7
	EA*4X36*17A*	*8MV*0901716**		34600	28400	16	12.5	1050	840	35400	23600	3.72	3.82	22200	12200	2.78	2.2	9
	EA*4X36*17A*	*8MX*0451408**		34200	27800	15.5	11.5	1075	750	36000	23400	3.58	3.64	22800	12000	2.68	2.12	8.5
	EA*4X36*17A*	*8MX*0701716**		34400	28600	15.2	12	1050	920	35800	24200	3.62	3.78	22400	12600	2.72	2.16	8.7
	EA*4X36*17A*	*9MA*0601714A**		34000	28000	15.5	12	975	780	35400	23800	3.6	3.72	22600	12400	2.68	2.16	8.7
	EA*4X36*17A*	*9MA*0801714A**		34000	28000	15.7	12	975	780	35800	23800	3.64	3.76	22400	12300	2.72	2.16	9
	EA*4X36*17A*	*9MV*0601714A**		34200	27400	15.2	11.7	1035	875	35800	24400	3.6	3.74	22600	12500	2.7	2.16	8.7
	EA*4X36*17A*	*9MV*0801716A**		34400	26600	15.7	12	1040	730	35600	23400	3.64	3.64	22400	11900	2.72	2.12	8.5
	EA*4X36*17A*	*9MX*0601714A**		34200	27600	15.5	12	1045	720	35600	23200	3.62	3.6	22600	11900	2.7	2.12	8.5
	EA*4X36*17A*	*9MX*0801716A**		34400	28800	15.5	12	1035	965	35600	24400	3.64	3.82	22400	12800	2.72	2.18	9
	EA*4X36*17A*	MV08B15**B*		34600	28400	16.2	12.2	1050	840	35400	23600	3.72	3.82	22200	12200	2.78	2.2	9
	EA*4X36*17A*	OLV098A12A		34000	26400	15.2	11.7	1015	600	35600	21800	3.58	3.34	22400	11400	2.68	2.02	8.2
	EA*4X36*17A*	OMV098J12A		34200	27400	15.5	11.7	1038	687	35800	23000	3.6	3.58	22600	11800	2.68	2.1	8.5
	EA*4X36*17A*	OMV112K14A		34400	28400	15.7	12	1034	823	35600	23600	3.64	3.76	22400	12200	2.72	2.18	8.7
	EA*4X36*17A*			34000	27800	14	11.4	1050	840	36200	24400	3.52	3.52	22800	12900	2.64	2.06	8.5
	EA*4X36*21A*	*8MV*0901716**		34600	28400	16.2	12.5	1050	840	35400	23600	3.72	3.84	22200	12100	2.78	2.2	9
	EA*4X36*21A*	*8MV*1102120**		34600	28400	16.2	12.5	1050	840	35400	23600	3.74	3.82	22200	12200	2.8	2.2	9
	EA*4X36*21A*	*8MX*0701716**		34400	28800	15.5	12	1070	940	35800	24200	3.66	3.8	22600	12700	2.72	2.18	9
	EA*4X36*21A*	*8MX*0902116**		34800	29000	16	12.5	1085	955	35600	24200	3.74	3.88	22200	12600	2.8	2.2	9
	EA*4X36*21A*	*9MA*0601714A**		34000	28000	15.5	12	975	780	35400	23800	3.62	3.74	22600	12400	2.7	2.16	9
	EA*4X36*21A*	*9MA*0602120A**		34200	28000	15.7	12	975	780	36600	24200	3.8	3.8	24000	13500	2.98	2.42	9.2
	EA*4X36*21A*	*9MA*0801714A**		34000	28000	15.7	12	975	780	35600	23800	3.66	3.76	22400	12300	2.74	2.18	9
EA*4X36*21A*	*9MA*0802120A**		34200	28000	16	12.2	975	780	36400	24200	3.86	3.82	23800	13400	3.02	2.44	9.2	
EA*4X36*21A*	*9MA*1002122A**		34200	28000	16	12.5	975	780	36400	24200	3.86	3.84	23800	13400	3.02	2.44	9.2	
EA*4X36*21A*	*9MV*0601714A**		34400	26600	15.5	11.7	1055	725	35800	23400	3.62	3.62	22600	11900	2.7	2.12	8.5	
EA*4X36*21A*	*9MV*0801716A**		34400	26800	15.7	12	1060	755	35600	23600	3.66	3.68	22400	12000	2.74	2.14	8.7	

\* Tested Combo

Unit Size	Indoor Model	Furnace Model	AHRI STANDARD RATINGS														
			Cooling						Heating								
			Capacity		SEER	EER	ID CFM		High Temp				Low Temp				HSPF
			High	Low			High	Low	E Capacity		E COP		H Capacity		H COP		
						High	Low	High	Low	High	Low	High	Low	High	Low		
CCH636GKA	EA*4X36*21A*	*9MV*0802120A**	34000	28400	16	12.2	930	835	34800	23800	3.6	3.8	21800	12200	2.72	2.18	8.7
	EA*4X36*21A*	*9MV*1002120A**	34000	28200	16	12.2	920	820	34800	23600	3.6	3.76	21800	12200	2.72	2.18	8.7
	EA*4X36*21A*	*9MX*0601714A**	34400	27600	15.5	12	1065	735	35800	23200	3.64	3.64	22600	11900	2.72	2.12	8.7
	EA*4X36*21A*	*9MX*0801716A**	34400	29000	15.5	12	1050	985	35800	24400	3.66	3.84	22400	12800	2.74	2.2	9
	EA*4X36*21A*	MV12F19**B*	34800	28600	16.5	12.7	1050	840	35200	23600	3.76	3.86	22000	12100	2.82	2.22	9
	EA*4X36*21A*	OLV098A12A	34200	26400	15.2	11.7	1015	600	35600	21800	3.6	3.36	22400	11400	2.7	2.02	8.2
	EA*4X36*21A*	OLV112A16A	34600	28600	15.7	12	1083	881	35800	24000	3.68	3.82	22400	12400	2.74	2.18	9
	EA*4X36*21A*	OMV098J12A	34200	27400	15.7	11.7	1038	687	35800	23000	3.6	3.58	22600	11700	2.7	2.1	8.5
	EA*4X36*21A*	OMV112K14A	34400	28400	16	12	1034	823	35600	23600	3.66	3.78	22200	12200	2.74	2.18	9
	EA*4X36*21A*		34000	27800	14	11.4	1050	840	36200	24400	3.52	3.52	22800	12900	2.64	2.06	8.5
	EA*4X42*21A*	*8MV*0901716**	35000	28800	16.2	12.5	1050	840	35600	23800	3.78	3.86	22200	12200	2.8	2.2	9
	EA*4X42*21A*	*8MV*1102120**	35000	28800	16.2	12.5	1050	840	35600	23800	3.78	3.86	22200	12200	2.8	2.2	9
	EA*4X42*21A*	*8MX*0701716**	34800	29000	15.5	12	1070	940	36000	24400	3.7	3.84	22600	12700	2.74	2.18	9
	EA*4X42*21A*	*8MX*0902116**	35000	29200	16	12.5	1085	950	35800	24400	3.8	3.9	22400	12600	2.82	2.22	9.2
	EA*4X42*21A*	*9MA*0601714A**	34200	28200	15.7	12	975	780	35600	24000	3.66	3.76	22600	12400	2.72	2.16	9
	EA*4X42*21A*	*9MA*0602120A**	34400	28200	15.7	12	975	780	36600	24400	3.84	3.82	24200	13600	3	2.42	9.2
	EA*4X42*21A*	*9MA*0801714A**	34400	28200	16	12	975	780	35800	23800	3.7	3.8	22400	12300	2.74	2.18	9
	EA*4X42*21A*	*9MA*0802120A**	34400	28200	16	12.5	975	780	36400	24200	3.9	3.86	24000	13500	3.04	2.44	9.2
	EA*4X42*21A*	*9MA*1002122A**	34600	28200	16	12.5	975	780	36400	24200	3.92	3.86	24000	13500	3.04	2.44	9.5
	EA*4X42*21A*	*9MV*0601714A**	34600	26800	15.7	12	1055	720	36000	23600	3.66	3.64	22600	12000	2.72	2.12	8.7
	EA*4X42*21A*	*9MV*0801716A**	34800	27000	15.7	12	1055	750	35800	23600	3.7	3.7	22400	12000	2.76	2.14	8.7
	EA*4X42*21A*	*9MV*0802120A**	34200	28600	16	12.5	925	830	35000	23800	3.64	3.82	21800	12200	2.74	2.18	9
	EA*4X42*21A*	*9MV*1002120A**	34200	28400	16	12.5	915	815	35000	23800	3.62	3.8	21800	12200	2.74	2.18	8.7
	EA*4X42*21A*	*9MX*0601714A**	34600	27800	16	12	1060	735	35800	23400	3.68	3.66	22600	12000	2.74	2.14	8.7
	EA*4X42*21A*	*9MX*0801716A**	34800	29200	15.5	12	1050	980	35800	24600	3.7	3.86	22400	12800	2.76	2.2	9
	EA*4X42*21A*	MV12F19**B*	35000	28800	16.7	12.7	1050	840	35400	23600	3.82	3.9	22000	12100	2.84	2.22	9.2
	EA*4X42*21A*	OLV098A12A	34400	26600	15.5	11.7	1015	600	35800	21800	3.64	3.38	22400	11400	2.72	2.04	8.2
	EA*4X42*21A*	OLV112A16A	34800	28800	16	12.2	1083	881	36000	24000	3.72	3.84	22600	12400	2.76	2.2	9
	EA*4X42*21A*	OMV098J12A	34600	27600	15.7	12	1038	687	35800	23000	3.66	3.6	22600	11800	2.72	2.12	8.5
	EA*4X42*21A*	OMV112K14A	34600	28600	16	12.2	1034	823	35600	23800	3.7	3.82	22400	12200	2.76	2.2	9
	EA*4X42*21A*		34200	28000	14	11.5	1050	840	36200	24400	3.56	3.54	23000	13000	2.64	2.08	8.5
	EA*4X42*24A*	*8MV*1102120**	35000	28800	16.2	12.5	1050	840	35600	23800	3.78	3.86	22200	12200	2.82	2.2	9
	EA*4X42*24A*	*8MV*1352422**	35000	28800	16.5	12.7	1050	840	35400	23800	3.8	3.88	22000	12100	2.82	2.22	9.2
	EA*4X42*24A*	*8MX*0902116**	35200	29200	16	12.5	1090	960	35800	24400	3.8	3.92	22400	12600	2.82	2.22	9.2
	EA*4X42*24A*	*9MA*0602120A**	34400	28200	15.7	12.2	975	780	36600	24400	3.86	3.82	24200	13600	3	2.42	9.2
	EA*4X42*24A*	*9MA*0802120A**	34400	28200	16	12.5	975	780	36400	24200	3.9	3.86	24000	13500	3.04	2.44	9.5
	EA*4X42*24A*	*9MA*1002122A**	34600	28200	16	12.5	975	780	36400	24200	3.92	3.88	23800	13400	3.06	2.44	9.5
	EA*4X42*24A*	*9MA*1202422A**	34400	28200	16	12.5	975	780	35600	23800	3.76	3.84	22200	12200	2.8	2.2	9
	EA*4X42*24A*	*9MV*0802120A**	34200	28600	16	12.5	935	835	35000	23800	3.66	3.82	21800	12200	2.76	2.2	9
	EA*4X42*24A*	*9MV*1002120A**	34200	28600	16	12.5	925	825	35000	23800	3.64	3.8	21800	12200	2.74	2.18	9

Unit Size	Indoor Model	Furnace Model	AHRI STANDARD RATINGS														
			Cooling						Heating								
			Capacity		SEER	EER	ID CFM		High Temp				Low Temp				HSPF
			High	Low			High	Low	E Capacity		E COP		H Capacity		H COP		
				High	Low	High	Low	High	Low	High	Low	High	Low	High	Low		
CCH636GKA	EA*4X42*24A*	*9MV*1202422A**	34400	27800	16.2	12.5	960	880	35200	24200	3.68	3.88	21800	12300	2.76	2.22	9
	EA*4X42*24A*	MV16J22**B*	35000	28800	16.5	12.7	1050	840	35400	23800	3.82	3.88	22000	12100	2.84	2.22	9.2
	EA*4X42*24A*	MV20L24**B*	35000	28800	16.5	12.7	1050	840	35400	23800	3.82	3.86	22000	12200	2.84	2.22	9
	EA*4X42*24A*	OLV112A16A	34800	28800	16	12.2	1083	881	35800	24000	3.74	3.84	22600	12400	2.78	2.2	9
	EA*4X42*24A*		34200	28000	14	11.5	1050	840	36200	24400	3.56	3.54	23000	13000	2.64	2.08	8.5
	EA*4X48*17A*	*8MV*0701412**	35600	29200	16.5	12.5	1050	840	36200	24000	3.88	3.92	22600	12400	2.82	2.22	9.2
	EA*4X48*17A*	*8MV*0901716**	35800	29400	16.7	12.7	1050	840	36000	24000	3.92	3.96	22400	12300	2.86	2.24	9.2
	EA*4X48*17A*	*8MX*0451408**	35400	28600	16	12	1075	755	36600	23800	3.78	3.78	23200	12200	2.76	2.16	9
	EA*4X48*17A*	*8MX*0701716**	35400	29600	16	12.2	1055	925	36400	24600	3.84	3.92	22800	12800	2.8	2.22	9.2
	EA*4X48*17A*	*9MA*0601714A**	35000	28800	16	12	975	780	36200	24200	3.8	3.86	23000	12500	2.76	2.2	9
	EA*4X48*17A*	*9MA*0801714A**	35200	28800	16	12.5	975	780	36400	24200	3.84	3.88	22800	12400	2.8	2.2	9.3
	EA*4X48*17A*	*9MV*0601714A**	35400	27200	16	12	1040	715	36400	23800	3.8	3.72	22800	12000	2.78	2.14	8.7
	EA*4X48*17A*	*9MV*0801716A**	35400	27400	16	12.2	1045	740	36200	23800	3.84	3.78	22600	12100	2.8	2.16	9
	EA*4X48*17A*	*9MX*0601714A**	35400	28400	16	12	1050	725	36400	23600	3.82	3.74	22800	12100	2.78	2.16	9
	EA*4X48*17A*	*9MX*0801716A**	35400	29800	16	12.5	1040	970	36400	24800	3.84	3.96	22600	12900	2.8	2.22	9.2
	EA*4X48*17A*	MV08B15**B*	35800	29400	16.7	12.7	1050	840	36000	24000	3.94	3.98	22400	12300	2.86	2.24	9.2
	EA*4X48*17A*	OLV098A12A	35200	27000	15.7	12	1015	600	36200	22200	3.78	3.46	22800	11500	2.76	2.06	8.5
	EA*4X48*17A*	OMV098J12A	35200	28000	16	12	1038	687	36400	23200	3.8	3.7	22800	11900	2.76	2.14	8.7
	EA*4X48*17A*	OMV112K14A	35400	29200	16.5	12.5	1034	823	36200	24000	3.84	3.92	22600	12300	2.82	2.22	9.2
	EA*4X48*17A*		35000	28800	14.5	11.7	1050	840	36800	24600	3.72	3.62	23200	13100	2.7	2.1	8.5
	EA*4X48*21A*	*8MV*0901716**	35400	29200	16.5	12.7	1050	840	35800	24000	3.88	3.92	22400	12200	2.84	2.22	9.2
	EA*4X48*21A*	*8MV*1102120**	35400	29200	16.5	12.7	1050	840	35800	24000	3.88	3.92	22400	12300	2.84	2.22	9.2
	EA*4X48*21A*	*8MX*0701716**	35200	29400	15.7	12.2	1065	935	36200	24600	3.8	3.9	22800	12800	2.78	2.2	9
	EA*4X48*21A*	*8MX*0902116**	35600	29600	16.2	12.7	1075	945	36000	24400	3.9	3.96	22400	12600	2.86	2.24	9.2
	EA*4X48*21A*	*9MA*0601714A**	34800	28600	16	12	975	780	36000	24200	3.76	3.82	22800	12500	2.76	2.18	9
	EA*4X48*21A*	*9MA*0602120A**	34800	28600	16	12.2	975	780	37000	24400	3.94	3.88	24200	13600	3.04	2.44	9.5
	EA*4X48*21A*	*9MA*0801714A**	34800	28600	16	12.5	975	780	36000	24000	3.8	3.86	22600	12400	2.78	2.2	9
	EA*4X48*21A*	*9MA*0802120A**	35000	28600	16.2	12.5	975	780	36800	24400	4	3.92	24200	13500	3.08	2.46	9.5
	EA*4X48*21A*	*9MA*1002122A**	35000	28600	16.2	12.5	975	780	36800	24400	4.02	3.94	24000	13500	3.08	2.46	9.5
	EA*4X48*21A*	*9MV*0601714A**	35000	27000	15.7	12	1050	720	36200	23600	3.76	3.7	22800	12000	2.76	2.14	8.7
	EA*4X48*21A*	*9MV*0801716A**	35200	27400	16	12.2	1050	745	36200	23800	3.8	3.76	22600	12100	2.8	2.16	9
	EA*4X48*21A*	*9MV*0802120A**	34600	29000	16.2	12.5	920	825	35200	24000	3.74	3.88	22000	12300	2.78	2.2	9
	EA*4X48*21A*	*9MV*1002120A**	34600	28800	16.2	12.5	910	810	35200	23800	3.72	3.86	21800	12200	2.78	2.2	9
	EA*4X48*21A*	*9MX*0601714A**	35200	28200	16	12	1055	730	36200	23400	3.78	3.72	22800	12000	2.78	2.14	9
	EA*4X48*21A*	*9MX*0801716A**	35200	29600	16	12.5	1045	975	36200	24600	3.8	3.92	22600	12900	2.78	2.22	9.2
	EA*4X48*21A*	MV12F19**B*	35600	29200	16.7	12.7	1050	840	35800	23800	3.92	3.96	22200	12200	2.88	2.24	9.2
	EA*4X48*21A*	OLV098A12A	34800	26800	15.5	12	1015	600	36000	22000	3.74	3.42	22600	11500	2.74	2.06	8.5
	EA*4X48*21A*	OLV112A16A	35400	29200	16	12.2	1083	881	36200	24200	3.82	3.9	22800	12500	2.8	2.22	9.2
	EA*4X48*21A*	OMV098J12A	35000	27800	16	12	1038	687	36200	23200	3.74	3.66	22800	11800	2.76	2.12	8.7
	EA*4X48*21A*	OMV112K14A	35200	29000	16.2	12.5	1034	823	36000	23800	3.8	3.88	22600	12300	2.8	2.2	9
	EA*4X48*21A*		34800	28400	14.5	11.7	1050	840	36600	24600	3.66	3.6	23000	13000	2.68	2.08	8.5



Unit Size	Indoor Model	Furnace Model	AHRI STANDARD RATINGS														HSPF
			Cooling						Heating								
			Capacity		SEER	EER	ID CFM		High Temp				Low Temp				
			High	Low			High	Low	E Capacity		E COP		H Capacity		H COP		
						High	Low	High	Low	High	Low	High	Low				
CCH636GKA	EA*4X48*24A*	*8MV*1102120**	35400	29200	16.7	12.7	1050	840	35800	24000	3.88	3.94	22200	12200	2.86	2.22	9.2
	EA*4X48*24A*	*8MV*1352422**	35600	29200	16.7	12.7	1050	840	35800	23800	3.92	3.96	22200	12200	2.86	2.24	9.2
	EA*4X48*24A*	*8MX*0902116**	35600	29600	16.2	12.7	1090	955	36000	24400	3.92	4	22400	12700	2.86	2.24	9.2
	EA*4X48*24A*	*9MA*0602120A**	34800	28600	16	12.5	975	780	37000	24400	3.96	3.88	24200	13600	3.04	2.44	9.5
	EA*4X48*24A*	*9MA*0802120A**	35000	28600	16.2	12.5	975	780	36800	24400	4	3.92	24200	13500	3.08	2.46	9.5
	EA*4X48*24A*	*9MA*1002122A**	35000	28600	16.2	12.5	975	780	36800	24400	4.02	3.94	24000	13500	3.1	2.46	9.5
	EA*4X48*24A*	*9MA*1202422A**	35000	28600	16.2	12.5	975	780	35800	24000	3.86	3.9	22400	12300	2.84	2.22	9.2
	EA*4X48*24A*	*9MV*0802120A**	34600	29000	16.2	12.5	930	835	35400	24000	3.74	3.9	22000	12300	2.78	2.22	9
	EA*4X48*24A*	*9MV*1002120A**	34600	29000	16.2	12.5	920	825	35200	24000	3.74	3.88	22000	12300	2.78	2.2	9
	EA*4X48*24A*	*9MV*1202422A**	35000	28200	16.5	12.7	960	880	35400	24400	3.8	3.96	22000	12400	2.82	2.24	9.2
	EA*4X48*24A*	MV16J22**B*	35600	29200	16.7	13	1050	840	35800	23800	3.94	3.94	22200	12200	2.88	2.24	9.2
	EA*4X48*24A*	MV20L24**B*	35600	29200	16.7	13	1050	840	35800	24000	3.92	3.94	22200	12200	2.88	2.24	9.2
	EA*4X48*24A*	OLV112A16A	35400	29200	16	12.5	1083	881	36200	24200	3.84	3.92	22800	12500	2.8	2.22	9.2
	EA*4X48*24A*		34800	28400	14.5	11.7	1050	840	36600	24600	3.66	3.6	23000	13000	2.68	2.08	8.5
	EHD4X36A**	*8MV*0701412**	35400	29000	16.2	12.5	1050	840	36000	24000	3.8	3.86	22600	12300	2.8	2.2	9
	EHD4X36A**	*8MV*0901716**	35400	29200	16.5	12.5	1050	840	35800	24000	3.84	3.9	22400	12300	2.84	2.22	9.2
	EHD4X36A**	*8MV*1102120**	35400	29000	16.5	12.5	1050	840	35800	24000	3.84	3.9	22400	12300	2.84	2.22	9.2
	EHD4X36A**	*8MV*1352422**	35600	29200	16.5	12.7	1050	840	35800	23800	3.86	3.92	22200	12200	2.84	2.22	9.2
	EHD4X36A**	*8MX*0451408**	35200	28200	15.7	11.7	1075	745	36400	23600	3.72	3.7	23000	12100	2.72	2.14	8.7
	EHD4X36A**	*8MX*0701716**	35200	29400	15.7	12	1045	915	36200	24400	3.74	3.86	22600	12700	2.76	2.2	9
	EHD4X36A**	*8MX*0902116**	35400	29400	16	12.5	1060	925	36000	24400	3.84	3.92	22400	12600	2.84	2.22	9.2
	EHD4X36A**	*9MA*0601714A**	34800	28600	16	12	975	780	35800	24200	3.72	3.8	22800	12500	2.74	2.18	9
	EHD4X36A**	*9MA*0602120A**	35200	28600	16	12.7	975	780	37000	24400	3.92	3.86	24400	13700	3.02	2.42	9.2
	EHD4X36A**	*9MA*0801714A**	34800	28600	16	12.2	975	780	36000	24000	3.76	3.84	22600	12400	2.78	2.18	9
	EHD4X36A**	*9MA*0802120A**	35400	28600	16.2	13	975	780	36800	24400	3.96	3.9	24200	13600	3.06	2.44	9.5
	EHD4X36A**	*9MA*1002122A**	35400	28600	16.2	13	975	780	36800	24400	3.98	3.9	24200	13500	3.06	2.46	9.5
	EHD4X36A**	*9MA*1202422A**	35000	28600	16	12.5	975	780	35800	24000	3.82	3.86	22400	12300	2.82	2.2	9
	EHD4X36A**	*9MV*0601714A**	35000	27000	15.7	12	1035	700	36200	23600	3.72	3.62	22800	12000	2.74	2.12	8.7
	EHD4X36A**	*9MV*0801716A**	35200	27200	16	12.2	1040	725	36000	23600	3.76	3.7	22600	12000	2.78	2.14	8.7
	EHD4X36A**	*9MV*0802120A**	34600	28800	16	12.5	905	800	35200	23800	3.68	3.82	21800	12200	2.76	2.18	9
	EHD4X36A**	*9MV*1002120A**	34400	28600	16	12.5	885	775	35000	23600	3.66	3.78	21800	12200	2.74	2.18	8.7
	EHD4X36A**	*9MV*1202422A**	34600	28000	16.2	12.5	920	835	35200	24200	3.7	3.88	22000	12300	2.76	2.2	9
	EHD4X36A**	*9MX*0601714A**	35200	28000	16	12	1045	710	36000	23400	3.74	3.66	22800	12000	2.76	2.12	8.7
	EHD4X36A**	*9MX*0801716A**	35200	29600	15.7	12.5	1035	965	36000	24600	3.76	3.9	22600	12800	2.78	2.2	9
	EHD4X36A**	MV08B15**B*	35400	29200	16.5	12.7	1050	840	35800	23800	3.84	3.9	22400	12200	2.84	2.22	9.2
	EHD4X36A**	MV12F19**B*	35600	29200	16.7	12.7	1050	840	35800	23800	3.88	3.94	22200	12200	2.86	2.24	9.2
	EHD4X36A**	MV16J22**B*	35600	29200	16.7	12.7	1050	840	35800	23800	3.9	3.92	22200	12200	2.88	2.22	9.2
	EHD4X36A**	MV20L24**B*	35600	29200	16.5	12.7	1050	840	35800	24000	3.88	3.9	22200	12300	2.86	2.22	9.2
	EHD4X36A**	OLV098A12A	34800	26800	15.5	12	1015	600	36000	22000	3.7	3.4	22600	11500	2.74	2.04	8.5
	EHD4X36A**	OLV112A16A	35400	29200	16	12.2	1083	881	36200	24200	3.78	3.88	22800	12500	2.78	2.2	9
	EHD4X36A**	OLV154F20A	36200	30000	16.5	12.5	1248	1022	36600	24600	3.96	4.06	23000	12700	2.86	2.26	9.2

Unit Size	Indoor Model	Furnace Model	AHRI STANDARD RATINGS														
			Cooling						Heating								
			Capacity		SEER	EER	ID CFM		High Temp				Low Temp				HSPF
			High	Low			High	Low	E Capacity		E COP		H Capacity		H COP		
				High	Low	High	Low	High	Low	High	Low	High	Low	High	Low		
CCH636GKA	EHD4X36A**	OMV098J12A	35000	27800	16	12	1038	687	36200	23200	3.72	3.64	22800	11800	2.74	2.12	8.7
	EHD4X36A**	OMV112K14A	35200	29000	16.2	12.5	1034	823	36000	23800	3.76	3.84	22600	12300	2.78	2.2	9
	EHD4X36A**		34800	28400	14.5	11.7	1050	840	36400	24600	3.64	3.58	23000	13000	2.68	2.08	8.5
	EHD4X42A**	*8MV*0701412**	35600	29200	16.5	12.5	1050	840	36000	24000	3.84	3.9	22600	12300	2.82	2.22	9.2
	EHD4X42A**	*8MV*0901716**	35600	29200	16.7	12.7	1050	840	36000	24000	3.88	3.94	22400	12300	2.86	2.22	9.2
	EHD4X42A**	*8MV*1102120**	35600	29200	16.5	12.7	1050	840	36000	24000	3.88	3.92	22400	12300	2.86	2.22	9.2
	EHD4X42A**	*8MV*1352422**	35800	29200	16.7	12.7	1050	840	35800	24000	3.9	3.94	22400	12200	2.88	2.24	9.2
	EHD4X42A**	*8MX*0451408**	35400	28400	16	12	1080	750	36600	23600	3.76	3.74	23000	12100	2.74	2.16	8.7
	EHD4X42A**	*8MX*0701716**	35400	29600	15.7	12.5	1060	925	36200	24600	3.8	3.9	22800	12700	2.78	2.2	9
	EHD4X42A**	*8MX*0902116**	35800	29800	16.2	12.7	1070	935	36000	24400	3.9	3.96	22400	12700	2.86	2.24	9.2
	EHD4X42A**	*9MA*0601714A**	35000	28600	16	12	975	780	36000	24200	3.76	3.82	22800	12500	2.76	2.18	9
	EHD4X42A**	*9MA*0602120A**	35600	28800	16	12.7	975	780	37000	24600	3.96	3.88	24400	13700	3.04	2.44	9.5
	EHD4X42A**	*9MA*0801714A**	35000	28800	16	12.5	975	780	36200	24000	3.8	3.86	22600	12400	2.8	2.2	9
	EHD4X42A**	*9MA*0802120A**	35600	28800	16.5	13	975	780	36800	24400	4	3.92	24200	13600	3.08	2.46	9.5
	EHD4X42A**	*9MA*1002122A**	35600	28800	16.5	13	975	780	36800	24400	4.02	3.94	24200	13600	3.1	2.46	9.5
	EHD4X42A**	*9MA*1202422A**	35200	28800	16.2	12.5	975	780	36000	24000	3.86	3.9	22400	12400	2.84	2.22	9.2
	EHD4X42A**	*9MV*0601714A**	35400	27200	16	12	1045	710	36200	23600	3.78	3.68	22800	12000	2.76	2.14	8.7
	EHD4X42A**	*9MV*0801716A**	35400	27400	16	12.2	1050	730	36200	23800	3.82	3.72	22600	12000	2.8	2.16	8.7
	EHD4X42A**	*9MV*0802120A**	34800	29000	16.2	12.5	915	810	35200	23800	3.74	3.86	22000	12300	2.78	2.2	9
	EHD4X42A**	*9MV*1002120A**	34800	28800	16.2	12.5	900	790	35200	23800	3.72	3.82	21800	12200	2.78	2.18	9
	EHD4X42A**	*9MV*1202422A**	35000	28200	16.5	12.7	935	850	35400	24200	3.76	3.92	22000	12300	2.8	2.22	9.2
	EHD4X42A**	*9MX*0601714A**	35400	28200	16	12	1055	720	36200	23400	3.8	3.7	22800	12000	2.78	2.14	9
	EHD4X42A**	*9MX*0801716A**	35400	29800	16	12.5	1040	975	36200	24800	3.8	3.94	22600	12900	2.8	2.22	9.2
	EHD4X42A**	MV08B15**B*	35600	29200	16.7	12.7	1050	840	36000	24000	3.9	3.94	22400	12200	2.86	2.24	9.2
	EHD4X42A**	MV12F19**B*	35800	29400	17	13	1050	840	35800	23800	3.92	3.96	22200	12200	2.88	2.24	9.2
	EHD4X42A**	MV16J22**B*	35800	29400	16.7	13	1050	840	35800	24000	3.94	3.94	22200	12200	2.9	2.24	9.2
	EHD4X42A**	MV20L24**B*	35800	29200	16.7	13	1050	840	35800	24000	3.94	3.94	22200	12300	2.88	2.22	9.2
	EHD4X42A**	OLV098A12A	35200	27000	15.7	12	1015	600	36200	22000	3.74	3.42	22800	11500	2.76	2.06	8.5
	EHD4X42A**	OLV112A16A	35600	29400	16	12.5	1083	881	36400	24200	3.84	3.9	22800	12500	2.8	2.22	9.2
	EHD4X42A**	OLV154F20A	36600	30200	16.5	12.7	1248	1022	36800	24600	4	4.08	23000	12700	2.9	2.28	9.5
EHD4X42A**	OMV098J12A	35200	28000	16	12	1038	687	36200	23200	3.76	3.66	22800	11900	2.76	2.12	8.7	
EHD4X42A**	OMV112K14A	35400	29200	16.2	12.5	1034	823	36000	24000	3.82	3.88	22600	12300	2.8	2.2	9	
EHD4X42A**		35000	28600	14.5	11.7	1050	840	36600	24600	3.68	3.6	23200	13000	2.7	2.1	8.5	
EHD4X48A**	*8MV*0701412**	35600	29400	16.5	12.5	1050	840	36200	24000	3.86	3.92	22600	12300	2.82	2.22	9.2	
EHD4X48A**	*8MV*0901716**	35800	29400	16.7	12.7	1050	840	36000	24000	3.92	3.96	22400	12300	2.86	2.24	9.2	
EHD4X48A**	*8MV*1102120**	35800	29400	16.7	12.7	1050	840	36000	24000	3.92	3.94	22400	12300	2.86	2.24	9.2	
EHD4X48A**	*8MV*1352422**	35800	29400	16.7	13	1050	840	36000	24000	3.94	3.96	22400	12200	2.88	2.24	9.2	
EHD4X48A**	*8MX*0451408**	35600	28600	16	12	1080	755	36600	23600	3.78	3.76	23000	12200	2.76	2.16	9	
EHD4X48A**	*8MX*0701716**	35600	29800	16	12.2	1060	930	36400	24600	3.82	3.92	22800	12800	2.8	2.22	9.2	

Unit Size	Indoor Model	Furnace Model	AHRI STANDARD RATINGS														HSPF
			Cooling						Heating								
			Capacity		SEER	EER	ID CFM		High Temp				Low Temp				
			High	Low			High	Low	E Capacity		E COP		H Capacity		H COP		
						High	Low	High	Low	High	Low	High	Low				
CCH636GKA	EHD4X48A**	*8MX*0902116**	36000	29800	16.2	12.7	1070	940	36200	24400	3.92	3.98	22600	12700	2.86	2.24	9.2
	EHD4X48A**	*9MA*0601714A**	35200	28800	16	12.2	975	780	36000	24200	3.78	3.84	22800	12500	2.76	2.2	9
	EHD4X48A**	*9MA*0602120A**	35600	28800	16.2	12.7	975	780	37000	24600	3.98	3.9	24400	13700	3.06	2.44	9.5
	EHD4X48A**	*9MA*0801714A**	35200	28800	16.2	12.5	975	780	36200	24200	3.82	3.88	22800	12400	2.8	2.2	9
	EHD4X48A**	*9MA*0802120A**	35800	29000	16.5	13	975	780	37000	24400	4.04	3.94	24200	13600	3.1	2.46	9.5
	EHD4X48A**	*9MA*1002122A**	35800	29000	16.5	13	975	780	37000	24400	4.06	3.96	24200	13600	3.1	2.48	9.5
	EHD4X48A**	*9MA*1202422A**	35400	29000	16.2	12.5	975	780	36000	24000	3.88	3.92	22600	12400	2.84	2.22	9.2
	EHD4X48A**	*9MV*0601714A**	35400	27400	16	12	1045	720	36400	23800	3.8	3.72	22800	12000	2.78	2.14	8.7
	EHD4X48A**	*9MV*0801716A**	35600	27600	16.2	12.5	1050	745	36200	23800	3.84	3.78	22600	12100	2.8	2.16	9
	EHD4X48A**	*9MV*0802120A**	35000	29200	16.5	12.7	915	815	35400	24000	3.76	3.88	22000	12300	2.78	2.2	9
	EHD4X48A**	*9MV*1002120A**	34800	29000	16.5	12.5	900	800	35200	23800	3.74	3.86	22000	12200	2.78	2.2	9
	EHD4X48A**	*9MV*1202422A**	35200	28400	16.5	12.7	935	855	35400	24400	3.78	3.94	22000	12400	2.8	2.24	9.2
	EHD4X48A**	*9MX*0601714A**	35600	28400	16	12.2	1055	730	36200	23600	3.82	3.74	22800	12100	2.8	2.16	9
	EHD4X48A**	*9MX*0801716A**	35600	30000	16	12.5	1040	975	36200	24800	3.82	3.96	22600	12900	2.8	2.22	9.2
	EHD4X48A**	MV08B15**B*	35800	29400	16.7	12.7	1050	840	36000	24000	3.92	3.96	22400	12300	2.86	2.24	9.2
	EHD4X48A**	MV12F19**B*	36000	29400	17	13	1050	840	35800	24000	3.96	3.98	22400	12200	2.9	2.26	9.2
	EHD4X48A**	MV16J22**B*	36000	29400	17	13	1050	840	35800	24000	3.96	3.96	22200	12200	2.9	2.24	9.2
	EHD4X48A**	MV20L24**B*	36000	29400	16.7	13	1050	840	35800	24000	3.96	3.96	22200	12300	2.9	2.24	9.2
	EHD4X48A**	OLV098A12A	35200	27200	15.7	12	1015	600	36200	22000	3.76	3.44	22800	11500	2.76	2.06	8.5
	EHD4X48A**	OLV112A16A	35800	29600	16.2	12.5	1083	881	36400	24200	3.86	3.92	22800	12500	2.82	2.22	9.2
	EHD4X48A**	OLV154F20A	36600	30400	16.7	12.7	1248	1022	36800	24600	4.04	4.1	23000	12800	2.9	2.28	9.5
	EHD4X48A**	OMV098J12A	35400	28000	16	12	1038	687	36400	23200	3.78	3.68	22800	11900	2.76	2.14	8.7
	EHD4X48A**	OMV112K14A	35600	29200	16.5	12.5	1034	823	36200	24000	3.84	3.9	22600	12300	2.82	2.22	9.2
	EHD4X48A**		35200	28800	14.5	11.7	1050	840	36600	24600	3.7	3.62	23200	13100	2.7	2.1	8.5
	EN(A,D)4X36*21**	*8MV*0901716**	34600	28400	16	12.2	1050	840	35400	23600	3.7	3.8	22200	12200	2.76	2.18	9
	EN(A,D)4X36*21**	*8MV*1102120**	34600	28400	16	12.2	1050	840	35400	23800	3.68	3.8	22200	12200	2.76	2.18	9
	EN(A,D)4X36*21**	*8MX*0701716**	34200	28600	15.2	11.7	1035	905	35600	24200	3.6	3.76	22400	12600	2.7	2.16	8.7
	EN(A,D)4X36*21**	*8MX*0902116**	34600	28600	15.7	12.2	1045	910	35400	24200	3.68	3.8	22200	12500	2.76	2.18	9
	EN(A,D)4X36*21**	*9MA*0601714A**	33800	27800	15.5	11.7	975	780	35400	24000	3.58	3.7	22600	12400	2.68	2.14	8.7
	EN(A,D)4X36*21**	*9MA*0602120A**	34000	27800	15.5	12	975	780	36600	24400	3.76	3.76	24200	13600	2.94	2.4	9.2
	EN(A,D)4X36*21**	*9MA*0801714A**	34000	27800	15.5	12	975	780	35600	23800	3.62	3.74	22600	12400	2.7	2.16	9
	EN(A,D)4X36*21**	*9MA*0802120A**	34000	28000	15.7	12	975	780	36400	24200	3.82	3.8	24000	13500	2.98	2.42	9.2
	EN(A,D)4X36*21**	*9MA*1002122A**	34200	28000	15.7	12.2	975	780	36400	24200	3.82	3.8	24000	13500	3	2.42	9.2
	EN(A,D)4X36*21**	*9MV*0601714A**	34000	26400	15.2	11.7	1025	700	35600	23400	3.58	3.56	22400	11900	2.68	2.1	8.5
	EN(A,D)4X36*21**	*9MV*0801716A**	34200	26600	15.5	12	1030	720	35600	23400	3.62	3.6	22400	11900	2.72	2.12	8.5
	EN(A,D)4X36*21**	*9MV*0802120A**	33600	28000	15.7	12	895	795	34800	23600	3.54	3.72	21600	12100	2.7	2.16	8.7
	EN(A,D)4X36*21**	*9MV*1002120A**	33600	27800	15.7	12	875	765	34600	23400	3.52	3.68	21600	12100	2.68	2.14	8.5
	EN(A,D)4X36*21**	*9MX*0601714A**	34200	27400	15.5	11.7	1035	710	35600	23200	3.6	3.58	22400	11900	2.7	2.1	8.5
	EN(A,D)4X36*21**	*9MX*0801716A**	34200	28800	15.2	12	1025	955	35600	24400	3.6	3.78	22400	12800	2.7	2.18	9

Unit Size	Indoor Model	Furnace Model	AHRI STANDARD RATINGS														
			Cooling						Heating								
			Capacity		SEER	EER	ID CFM		High Temp				Low Temp				HSPF
			High	Low			High	Low	E Capacity		E COP		H Capacity		H COP		
				High	Low	High	Low	High	Low	High	Low	High	Low	High	Low		
CCH636GKA	EN(A,D)4X36*21**	MV12F19**B*	34600	28400	16.2	12.5	1050	840	35400	23600	3.72	3.84	22000	12100	2.8	2.2	9
	EN(A,D)4X36*21**	OLV098A12A	34000	26400	15.2	11.7	1015	600	35600	21800	3.56	3.34	22600	11400	2.68	2.02	8.2
	EN(A,D)4X36*21**	OLV112A16A	34400	28400	15.5	11.7	1083	881	35800	24000	3.64	3.76	22600	12500	2.72	2.18	8.7
	EN(A,D)4X36*21**	OMV098J12A	34000	27200	15.5	11.7	1038	687	35800	23000	3.56	3.56	22600	11800	2.68	2.1	8.5
	EN(A,D)4X36*21**	OMV112K14A	34200	28200	15.7	12	1034	823	35600	23600	3.62	3.74	22400	12200	2.72	2.16	8.7
	EN(A,D)4X36*21**		34000	27800	14	11.4	1050	840	36000	24400	3.52	3.5	22800	12900	2.62	2.06	8.5
	EN(A,D)4X48*24**	*8MV*1102120**	35600	29200	16.7	12.7	1050	840	35800	24000	3.9	3.94	22400	12200	2.86	2.24	9.2
	EN(A,D)4X48*24**	*8MV*1352422**	35600	29200	16.7	13	1050	840	35800	23800	3.92	3.96	22200	12200	2.88	2.24	9.2
	EN(A,D)4X48*24**	*8MX*0902116**	35800	29800	16.2	12.7	1090	960	36000	24600	3.92	4	22600	12700	2.88	2.26	9.2
	EN(A,D)4X48*24**	*9MA*0602120A**	35000	28600	16	12.5	975	780	37000	24600	3.98	3.9	24200	13600	3.06	2.46	9.5
	EN(A,D)4X48*24**	*9MA*0802120A**	35000	28800	16.2	12.5	975	780	36800	24400	4.02	3.94	24200	13500	3.1	2.48	9.5
	EN(A,D)4X48*24**	*9MA*1002122A**	35200	28800	16.5	12.7	975	780	36800	24400	4.04	3.96	24000	13500	3.1	2.48	9.5
	EN(A,D)4X48*24**	*9MA*1202422A**	35000	28800	16.2	12.5	975	780	35800	24000	3.88	3.92	22400	12300	2.84	2.22	9.2
	EN(A,D)4X48*24**	*9MV*0802120A**	34800	29200	16.5	12.5	935	840	35400	24000	3.76	3.92	22000	12300	2.8	2.22	9.2
	EN(A,D)4X48*24**	*9MV*1002120A**	34800	29000	16.5	12.5	925	830	35400	24000	3.76	3.9	22000	12300	2.8	2.22	9
	EN(A,D)4X48*24**	*9MV*1202422A**	35000	28400	16.5	12.7	960	885	35400	24400	3.8	3.98	22000	12400	2.82	2.24	9.2
	EN(A,D)4X48*24**	MV16J22**B*	35600	29200	16.7	13	1050	840	35800	24000	3.94	3.96	22200	12200	2.9	2.24	9.2
	EN(A,D)4X48*24**	MV20L24**B*	35600	29200	16.7	13	1050	840	35800	24000	3.94	3.96	22200	12200	2.9	2.24	9.2
	EN(A,D)4X48*24**	OLV112A16A	35600	29400	16.2	12.5	1083	881	36200	24200	3.84	3.92	22800	12500	2.82	2.22	9.2
	EN(A,D)4X48*24**		35000	28600	14.5	11.7	1050	840	36600	24600	3.68	3.6	23200	13100	2.7	2.1	8.5
	EN(A,D,W)4X36*17**	*8MV*0701412**	34400	28400	15.7	12	1050	840	35600	23800	3.64	3.76	22400	12300	2.72	2.18	8.7
	EN(A,D,W)4X36*17**	*8MV*0901716**	34600	28400	16	12.2	1050	840	35400	23800	3.68	3.8	22200	12200	2.76	2.18	9
	EN(A,D,W)4X36*17**	*8MX*0451408**	34000	27600	15.2	11.5	1055	740	36000	23400	3.56	3.62	22800	12000	2.66	2.12	8.5
	EN(A,D,W)4X36*17**	*8MX*0701716**	34200	28600	15.2	11.7	1030	905	35600	24200	3.6	3.74	22400	12600	2.7	2.16	8.7
	EN(A,D,W)4X36*17**	*9MA*0601714A**	33800	27800	15.5	11.7	975	780	35600	24000	3.56	3.7	22600	12400	2.68	2.14	8.7
	EN(A,D,W)4X36*17**	*9MA*0801714A**	34000	27800	15.5	12	975	780	35800	23800	3.6	3.74	22600	12400	2.7	2.16	9
	EN(A,D,W)4X36*17**	*9MV*0601714A**	34000	26400	15.2	11.7	1020	700	35600	23400	3.56	3.56	22400	11900	2.68	2.1	8.5
	EN(A,D,W)4X36*17**	*9MV*0801716A**	34200	26600	15.5	12	1025	720	35600	23400	3.62	3.6	22400	11900	2.72	2.12	8.5
	EN(A,D,W)4X36*17**	*9MX*0601714A**	34200	27400	15.5	11.7	1030	710	35600	23200	3.58	3.58	22400	11900	2.7	2.1	8.5
	EN(A,D,W)4X36*17**	*9MX*0801716A**	34200	28800	15.2	12	1020	950	35600	24400	3.6	3.78	22400	12700	2.7	2.18	9
	EN(A,D,W)4X36*17**	MV08B15**B*	34600	28400	16	12.2	1050	840	35400	23600	3.7	3.8	22200	12200	2.76	2.2	9
	EN(A,D,W)4X36*17**	OLV098A12A	34000	26400	15.2	11.5	1015	600	35600	21800	3.56	3.34	22600	11400	2.66	2.02	8.2
	EN(A,D,W)4X36*17**	OMV098J12A	34000	27200	15.5	11.7	1038	687	35800	23000	3.56	3.56	22600	11800	2.68	2.1	8.5
	EN(A,D,W)4X36*17**	OMV112K14A	34200	28200	15.7	12	1034	823	35600	23600	3.62	3.74	22400	12200	2.72	2.16	8.7
	EN(A,D,W)4X36*17**		34000	27800	14	11.4	1050	840	36000	24400	3.52	3.5	22800	12900	2.62	2.06	8.5
	EN(A,D,W)4X42*21**	*8MV*0901716**	35000	28800	16.2	12.5	1050	840	35600	23800	3.78	3.86	22200	12200	2.8	2.2	9
	EN(A,D,W)4X42*21**	*8MV*1102120**	35000	28800	16.2	12.5	1050	840	35600	23800	3.76	3.84	22200	12200	2.8	2.2	9
	EN(A,D,W)4X42*21**	*8MX*0902116**	35000	29000	16	12.5	1055	925	35600	24200	3.76	3.88	22400	12600	2.8	2.2	9
	EN(A,D,W)4X42*21**	*9MA*0601714A**	34200	28200	15.5	12	975	780	35600	24000	3.64	3.76	22800	12500	2.72	2.16	9

Unit Size	Indoor Model	Furnace Model	AHRI STANDARD RATINGS														HSPF
			Cooling						Heating								
			Capacity		SEER	EER	ID CFM		High Temp				Low Temp				
			High	Low			High	Low	E Capacity		E COP		H Capacity		H COP		
						High	Low	High	Low	High	Low	High	Low	High	Low		
CCH636GKA	EN(A,D,W)4X42*21**	*9MA*0602120A**	34400	28200	15.7	12	975	780	36800	24400	3.84	3.82	24200	13600	2.98	2.42	9.2
	EN(A,D,W)4X42*21**	*9MA*0801714A**	34400	28200	16	12	975	780	35800	24000	3.7	3.78	22600	12400	2.74	2.18	9
	EN(A,D,W)4X42*21**	*9MA*0802120A**	34600	28200	16	12.2	975	780	36600	24400	3.9	3.86	24000	13500	3.02	2.44	9.2
	EN(A,D,W)4X42*21**	*9MA*1002122A**	34600	28200	16	12.5	975	780	36600	24400	3.9	3.86	24000	13500	3.04	2.44	9.5
	EN(A,D,W)4X42*21**	*9MV*0601714A**	34600	26600	15.5	11.8	1035	705	36000	23400	3.66	3.62	22600	11900	2.72	2.12	8.5
	EN(A,D,W)4X42*21**	*9MV*0801716A**	34800	26800	15.7	12	1040	725	35800	23600	3.7	3.66	22400	12000	2.76	2.14	8.7
	EN(A,D,W)4X42*21**	*9MV*0802120A**	34000	28400	16	12.2	900	800	35000	23600	3.62	3.78	21800	12200	2.72	2.18	8.7
	EN(A,D,W)4X42*21**	*9MV*1002120A**	34000	28200	16	12.2	885	775	34800	23600	3.6	3.74	21800	12100	2.72	2.16	8.7
	EN(A,D,W)4X42*21**	*9MX*0601714A**	34600	27800	15.7	12	1045	715	35800	23200	3.68	3.64	22600	12000	2.74	2.12	8.7
	EN(A,D,W)4X42*21**	*9MX*0801716A**	34600	29200	15.5	12	1030	965	35800	24600	3.68	3.86	22400	12800	2.74	2.2	9
	EN(A,D,W)4X42*21**	MV12F19**B*	35000	28800	16.5	12.7	1050	840	35600	23800	3.8	3.9	22200	12100	2.84	2.22	9.2
	EN(A,D,W)4X42*21**	OLV098A12A	34400	26600	15.5	11.7	1015	600	35800	22000	3.62	3.38	22600	11500	2.7	2.04	8.5
	EN(A,D,W)4X42*21**	OLV112A16A	34800	28800	15.7	12	1083	881	36000	24200	3.72	3.82	22600	12500	2.76	2.2	9
	EN(A,D,W)4X42*21**	OMV098J12A	34600	27600	15.7	11.7	1038	687	36000	23000	3.64	3.6	22600	11800	2.72	2.12	8.5
	EN(A,D,W)4X42*21**	OMV112K14A	34600	28600	16	12	1034	823	35800	23800	3.7	3.8	22400	12200	2.76	2.18	9
	EN(A,D,W)4X42*21**		34400	28200	14.2	11.5	1050	840	36200	24400	3.58	3.54	23000	13000	2.66	2.08	8.5
	EN(A,D,W)4X48*21**	*8MV*0901716**	35600	29200	16.7	12.7	1050	840	35800	24000	3.9	3.96	22400	12200	2.86	2.24	9.2
	EN(A,D,W)4X48*21**	*8MV*1102120**	35600	29200	16.7	12.7	1050	840	35800	24000	3.9	3.94	22400	12200	2.86	2.24	9.2
	EN(A,D,W)4X48*21**	*8MX*0701716**	35400	29600	16	12.5	1080	945	36200	24600	3.82	3.92	22800	12800	2.8	2.22	9.2
	EN(A,D,W)4X48*21**	*8MX*0902116**	35800	29800	16.2	12.7	1090	960	36000	24600	3.92	4	22600	12700	2.88	2.26	9.2
	EN(A,D,W)4X48*21**	*9MA*0601714A**	34800	28600	16	12.2	975	780	36000	24200	3.78	3.86	22800	12500	2.78	2.2	9
	EN(A,D,W)4X48*21**	*9MA*0602120A**	35000	28600	16	12.5	975	780	37000	24600	3.98	3.9	24200	13600	3.06	2.46	9.5
	EN(A,D,W)4X48*21**	*9MA*0801714A**	35000	28600	16	12.5	975	780	36000	24000	3.82	3.88	22600	12400	2.8	2.2	9
	EN(A,D,W)4X48*21**	*9MA*0802120A**	35000	28800	16.2	12.5	975	780	36800	24400	4.02	3.94	24200	13500	3.1	2.48	9.5
	EN(A,D,W)4X48*21**	*9MA*1002122A**	35200	28800	16.5	12.7	975	780	36800	24400	4.04	3.96	24000	13500	3.1	2.48	9.5
	EN(A,D,W)4X48*21**	*9MV*0601714A**	34800	27800	16	12.2	960	805	35800	24200	3.72	3.8	22400	12400	2.76	2.18	9
	EN(A,D,W)4X48*21**	*9MV*0801716A**	35000	28000	16	12.5	970	820	35600	24200	3.76	3.86	22200	12300	2.78	2.2	9
	EN(A,D,W)4X48*21**	*9MV*0802120A**	34800	29200	16.5	12.5	935	840	35400	24000	3.76	3.92	22000	12300	2.8	2.22	9.2
	EN(A,D,W)4X48*21**	*9MV*1002120A**	34800	29000	16.5	12.5	925	830	35400	24000	3.76	3.9	22000	12300	2.8	2.22	9
	EN(A,D,W)4X48*21**	*9MX*0601714A**	35400	28400	16	12	1070	740	36200	23600	3.8	3.76	22800	12100	2.8	2.16	9
	EN(A,D,W)4X48*21**	*9MX*0801716A**	35400	29800	16	12.5	1055	990	36200	24800	3.82	3.96	22600	12900	2.8	2.24	9.2
	EN(A,D,W)4X48*21**	MV12F19**B*	35600	29200	17	13	1050	840	35800	23800	3.94	3.98	22200	12200	2.9	2.26	9.2
	EN(A,D,W)4X48*21**	OLV098A12A	35000	27000	15.7	12	1015	600	36000	22200	3.76	3.46	22600	11500	2.76	2.06	8.5
	EN(A,D,W)4X48*21**	OLV112A16A	35600	29400	16.2	12.5	1083	881	36200	24200	3.84	3.92	22800	12500	2.82	2.22	9.2
	EN(A,D,W)4X48*21**	OMV098J12A	35200	28000	16	12	1038	687	36200	23200	3.76	3.68	22800	11800	2.78	2.14	8.7
	EN(A,D,W)4X48*21**	OMV112K14A	35400	29000	16.5	12.5	1034	823	36000	24000	3.82	3.9	22600	12300	2.82	2.22	9.2
	EN(A,D,W)4X48*21**		35000	28600	14.5	11.7	1050	840	36600	24600	3.68	3.6	23200	13100	2.7	2.1	8.5
	END4X42*17**	*8MV*0701412**	35200	29000	16	12.5	1050	840	36000	24000	3.78	3.86	22600	12300	2.78	2.2	9
	END4X42*17**	*8MV*0901716**	35200	29000	16.5	12.5	1050	840	35800	24000	3.82	3.9	22400	12300	2.82	2.22	9.2

Unit Size	Indoor Model	Furnace Model	AHRI STANDARD RATINGS														
			Cooling						Heating								
			Capacity		SEER	EER	ID CFM		High Temp				Low Temp				HSPF
			High	Low			High	Low	E Capacity		E COP		H Capacity		H COP		
						High	Low	High	Low	High	Low	High	Low				
CCH636GKA	END4X42*17**	*8MX*0451408**	34800	28200	15.7	11.7	1070	750	36400	23600	3.7	3.72	23000	12100	2.72	2.14	8.7
	END4X42*17**	*8MX*0701716**	35000	29200	15.5	12	1045	915	36000	24400	3.74	3.86	22600	12700	2.76	2.2	9
	END4X42*17**	*9MA*0601714A**	34600	28400	15.7	12	975	780	35800	24200	3.7	3.8	22800	12500	2.74	2.18	9
	END4X42*17**	*9MA*0801714A**	34600	28400	16	12.2	975	780	36000	24000	3.74	3.84	22600	12400	2.76	2.18	9
	END4X42*17**	*9MV*0601714A**	34800	26800	15.7	12	1035	710	36000	23600	3.7	3.64	22800	12000	2.74	2.12	8.7
	END4X42*17**	*9MV*0801716A**	35000	27000	16	11.7	1035	730	36000	23600	3.74	3.72	22600	12000	2.78	2.14	8.7
	END4X42*17**	*9MX*0601714A**	35000	28000	16	12	1040	715	36000	23400	3.72	3.68	22600	12000	2.76	2.14	8.7
	END4X42*17**	*9MX*0801716A**	35000	29400	15.7	12	1030	965	36000	24600	3.74	3.9	22600	12800	2.76	2.2	9
	END4X42*17**	MV08B15**B*	35200	29000	16.5	12.5	1050	840	35800	23800	3.84	3.92	22400	12200	2.84	2.22	9.2
	END4X42*17**	OLV098A12A	34800	26800	15.5	11.7	1015	600	36000	22000	3.68	3.42	22600	11500	2.72	2.06	8.5
	END4X42*17**	OMV098J12A	34800	27800	16	12	1038	687	36200	23200	3.7	3.64	22800	11800	2.74	2.12	8.7
	END4X42*17**	OMV112K14A	35000	28800	16	12.2	1034	823	36000	23800	3.74	3.84	22600	12300	2.78	2.2	9
	END4X42*17**		34600	28400	14.2	11.5	1050	840	36400	24600	3.62	3.58	23200	13000	2.68	2.08	8.5
	ENH4X36*17**	*8MV*0701412**	34400	28400	15.7	12	1050	840	35600	23800	3.64	3.76	22400	12300	2.72	2.18	8.7
	ENH4X36*17**	*8MV*0901716**	34600	28400	16	12.2	1050	840	35400	23800	3.68	3.8	22200	12200	2.76	2.18	9
	ENH4X36*17**	*8MV*1102120**	34600	28400	16	12.2	1050	840	35400	23800	3.68	3.78	22200	12200	2.76	2.18	9
	ENH4X36*17**	*8MV*1352422**	34600	28400	16	12.5	1050	840	35400	23600	3.7	3.8	22200	12200	2.78	2.2	9
	ENH4X36*17**	*8MX*0451408**	34000	27600	15.2	11.5	1055	740	36000	23400	3.56	3.62	22800	12000	2.66	2.12	8.5
	ENH4X36*17**	*8MX*0701716**	34200	28600	15.2	11.7	1030	905	35600	24200	3.6	3.74	22400	12600	2.7	2.16	8.7
	ENH4X36*17**	*8MX*0902116**	34400	28600	15.5	12.2	1035	905	35400	24200	3.68	3.8	22200	12500	2.76	2.18	9
	ENH4X36*17**	*9MA*0601714A**	33800	27800	15.5	11.7	975	780	35600	24000	3.56	3.7	22600	12400	2.68	2.14	8.7
	ENH4X36*17**	*9MA*0801714A**	34000	27800	15.5	12	975	780	35600	23800	3.6	3.74	22600	12400	2.7	2.16	9
	ENH4X36*17**	*9MA*1202422A**	34000	28000	15.7	12	975	780	35400	23800	3.66	3.76	22400	12300	2.74	2.18	9
	ENH4X36*17**	*9MV*0601714A**	34000	27400	15.2	11.7	1020	865	35600	24400	3.56	3.72	22400	12500	2.68	2.16	8.7
	ENH4X36*17**	*9MV*0801716A**	34200	27400	15.5	12	1025	880	35600	24400	3.62	3.76	22400	12500	2.72	2.16	8.7
	ENH4X36*17**	*9MV*1202422A**	33800	27200	15.7	12.2	905	820	34800	24000	3.56	3.76	21600	12200	2.7	2.16	8.7
	ENH4X36*17**	*9MX*0601714A**	34200	27400	15.5	11.7	1030	710	35600	23200	3.58	3.58	22400	11900	2.7	2.1	8.5
	ENH4X36*17**	*9MX*0801716A**	34200	28800	15.2	12	1020	950	35600	24400	3.6	3.78	22400	12700	2.7	2.18	9
	ENH4X36*17**	MV08B15**B*	34600	28400	16	12.2	1050	840	35400	23600	3.7	3.8	22200	12200	2.76	2.2	9
	ENH4X36*17**	OLV098A12A	34000	26400	15.2	11.5	1015	600	35600	21800	3.56	3.34	22600	11400	2.66	2.02	8.2
	ENH4X36*17**	OLV112A16A	34400	28400	15.5	11.7	1083	881	35800	24000	3.62	3.76	22600	12500	2.7	2.18	8.7
	ENH4X36*17**	OLV154F20A	35200	29200	16	12	1248	1022	36400	24400	3.78	3.92	23000	12700	2.8	2.22	9.2
	ENH4X36*17**	OMV098J12A	34000	27200	15.5	11.7	1038	687	35800	23000	3.56	3.56	22600	11800	2.68	2.1	8.5
	ENH4X36*17**	OMV112K14A	34200	28200	15.7	12	1034	823	35600	23600	3.62	3.74	22400	12200	2.72	2.16	8.7
	ENH4X36*17**		34000	27800	14	11.4	1050	840	36000	24400	3.52	3.5	22800	12900	2.62	2.06	8.2
	ENH4X42*21**	*8MV*0701412**	34800	28600	16	12.2	1050	840	35800	23800	3.72	3.82	22400	12300	2.76	2.2	9
	ENH4X42*21**	*8MV*0901716**	35000	28800	16.2	12.5	1050	840	35600	23800	3.78	3.86	22200	12200	2.8	2.2	9
	ENH4X42*21**	*8MV*1102120**	35000	28800	16.2	12.5	1050	840	35600	23800	3.76	3.84	22200	12200	2.8	2.2	9
	ENH4X42*21**	*8MV*1352422**	35000	28800	16.2	12.5	1050	840	35600	23800	3.78	3.86	22200	12200	2.82	2.22	9

Unit Size	Indoor Model	Furnace Model	AHRI STANDARD RATINGS														
			Cooling						Heating								
			Capacity		SEER	EER	ID CFM		High Temp				Low Temp				HSPF
			High	Low			High	Low	E Capacity		E COP		H Capacity		H COP		
				High	Low	High	Low	High	Low	High	Low	High	Low	High	Low		
CCH636GKA	ENH4X42*21**	*8MX*0451408**	34600	28000	15.5	11.7	1070	745	36200	23400	3.64	3.68	23000	12100	2.7	2.14	8.7
	ENH4X42*21**	*8MX*0701716**	34600	29000	15.5	12	1045	915	35800	24400	3.68	3.82	22600	12700	2.74	2.18	9
	ENH4X42*21**	*8MX*0902116**	35000	29000	16	12.5	1055	925	35600	24200	3.76	3.88	22400	12600	2.8	2.2	9
	ENH4X42*21**	*9MA*0601714A**	34200	28200	15.5	12	975	780	35600	24000	3.64	3.76	22800	12500	2.72	2.16	9
	ENH4X42*21**	*9MA*0602120A**	34400	28200	15.7	12	975	780	36800	24400	3.84	3.82	24200	13600	2.98	2.42	9.2
	ENH4X42*21**	*9MA*0801714A**	34400	28200	16	12	975	780	35800	24000	3.7	3.78	22600	12400	2.74	2.18	9
	ENH4X42*21**	*9MA*0802120A**	34600	28200	16	12.2	975	780	36600	24400	3.9	3.86	24000	13500	3.02	2.44	9.2
	ENH4X42*21**	*9MA*1002122A**	35000	28200	16	12.7	975	780	36600	24400	3.9	3.86	24000	13500	3.04	2.44	9.5
	ENH4X42*21**	*9MA*1202422A**	34600	28200	16	12.5	975	780	35600	23800	3.74	3.82	22400	12300	2.78	2.18	9
	ENH4X42*21**	*9MV*0601714A**	34600	26600	15.5	11.7	1035	705	36000	23400	3.66	3.62	22600	11900	2.72	2.12	8.5
	ENH4X42*21**	*9MV*0801716A**	34800	26800	15.7	12	1040	725	35800	23600	3.7	3.66	22400	12000	2.76	2.14	8.7
	ENH4X42*21**	*9MV*0802120A**	34000	28400	16	12.2	900	800	35000	23600	3.62	3.78	21800	12200	2.72	2.18	8.7
	ENH4X42*21**	*9MV*1002120A**	34000	28200	16	12.2	885	775	34800	23600	3.6	3.74	21800	12100	2.72	2.16	8.7
	ENH4X42*21**	*9MV*1202422A**	34200	27600	16	12.5	920	835	35000	24200	3.64	3.84	21800	12300	2.74	2.2	9
	ENH4X42*21**	*9MX*0601714A**	34600	27800	15.7	12	1045	715	35800	23200	3.68	3.64	22600	12000	2.74	2.12	8.7
	ENH4X42*21**	*9MX*0801716A**	34600	29200	15.5	12	1030	965	35800	24600	3.68	3.86	22400	12800	2.74	2.2	9
	ENH4X42*21**	MV12F19**B*	35000	28800	16.5	12.7	1050	840	35600	23800	3.8	3.9	22200	12100	2.84	2.22	9.2
	ENH4X42*21**	OLV098A12A	34400	26600	15.5	11.7	1015	600	35800	22000	3.62	3.38	22600	11500	2.7	2.04	8.5
	ENH4X42*21**	OLV112A16A	34800	28800	15.7	12	1083	881	36000	24200	3.72	3.82	22600	12500	2.76	2.2	9
	ENH4X42*21**	OLV154F20A	35800	29600	16	12.5	1248	1022	36400	24600	3.88	4	23000	12700	2.84	2.26	9.2
	ENH4X42*21**	OMV098J12A	34600	27600	15.7	11.7	1038	687	36000	23000	3.64	3.6	22600	11800	2.72	2.12	8.5
	ENH4X42*21**	OMV112K14A	34600	28600	16	12	1034	823	35800	23800	3.7	3.8	22400	12200	2.76	2.18	9
	ENH4X42*21**		34400	28200	14.2	11.5	1050	840	36200	24400	3.58	3.54	23000	13000	2.66	2.08	8.5
	ENH4X48*21**	*8MV*0701412**	35400	29200	16.5	12.5	1050	840	36000	24000	3.84	3.92	22600	12300	2.82	2.22	9.2
	ENH4X48*21**	*8MV*0901716**	35600	29200	16.7	12.7	1050	840	35800	24000	3.9	3.96	22400	12200	2.86	2.24	9.2
	ENH4X48*21**	*8MV*1102120**	35600	29200	16.7	12.7	1050	840	35800	24000	3.9	3.94	22400	12200	2.86	2.24	9.2
	ENH4X48*21**	*8MV*1352422**	35600	29200	16.7	13	1050	840	35800	23800	3.92	3.96	22200	12200	2.88	2.24	9.2
	ENH4X48*21**	*8MX*0451408**	35400	28600	16	12	1100	765	36600	23800	3.78	3.78	23000	12200	2.76	2.18	9
	ENH4X48*21**	*8MX*0701716**	35400	29600	16	12.5	1080	945	36200	24600	3.82	3.92	22800	12800	2.8	2.22	9.2
	ENH4X48*21**	*8MX*0902116**	35800	29800	16.2	12.7	1090	960	36000	24600	3.92	4	22600	12700	2.88	2.26	9.2
	ENH4X48*21**	*9MA*0601714A**	34800	28600	16	12.2	975	780	36000	24200	3.78	3.86	22800	12500	2.78	2.2	9
	ENH4X48*21**	*9MA*0602120A**	35400	28600	16.2	12.7	975	780	37000	24600	3.98	3.9	24200	13600	3.06	2.46	9.5
	ENH4X48*21**	*9MA*0801714A**	35000	28600	16	12.5	975	780	36000	24000	3.82	3.88	22600	12400	2.8	2.2	9
	ENH4X48*21**	*9MA*0802120A**	35600	28800	16.5	13	975	780	36800	24400	4.02	3.94	24200	13500	3.1	2.48	9.5
	ENH4X48*21**	*9MA*1002122A**	35600	28800	16.5	13	975	780	36800	24400	4.04	3.96	24000	13500	3.1	2.48	9.5
	ENH4X48*21**	*9MA*1202422A**	35000	28800	16.2	12.5	975	780	35800	24000	3.88	3.92	22400	12300	2.84	2.22	9.2
	ENH4X48*21**	*9MV*0601714A**	35200	27200	16	12	1060	730	36200	23800	3.78	3.74	22800	12100	2.78	2.16	8.7

Unit Size	Indoor Model	Furnace Model	AHRI STANDARD RATINGS														HSPF
			Cooling						Heating								
			Capacity		SEER	EER	ID CFM		High Temp				Low Temp				
			High	Low			High	Low	E Capacity		E COP		H Capacity		H COP		
						High	Low	High	Low	High	Low	High	Low				
CCH636GKA	ENH4X48*21**	*9MV*0801716A**	35400	27600	16.2	12.5	1065	760	36200	24000	3.84	3.8	22600	12100	2.8	2.18	9
	ENH4X48*21**	*9MV*0802120A**	34800	29200	16.5	12.5	935	840	35400	24000	3.76	3.92	22000	12300	2.8	2.22	9.2
	ENH4X48*21**	*9MV*1002120A**	34800	29000	16.5	12.5	925	830	35400	24000	3.76	3.9	22000	12300	2.8	2.22	9
	ENH4X48*21**	*9MV*1202422A**	35000	28400	16.5	12.7	960	885	35400	24400	3.8	3.98	22000	12400	2.82	2.24	9.2
	ENH4X48*21**	*9MX*0601714A**	35400	28400	16	12	1070	740	36200	23600	3.8	3.76	22800	12100	2.8	2.16	9
	ENH4X48*21**	*9MX*0801716A**	35400	29800	16	12.5	1055	990	36200	24800	3.82	3.96	22600	12900	2.8	2.24	9.2
	ENH4X48*21**	MV12F19**B*	35600	29200	17	13	1050	840	35800	23800	3.94	3.98	22200	12200	2.9	2.26	9.2
	ENH4X48*21**	OLV098A12A	35000	27000	15.7	12	1015	600	36000	22200	3.76	3.46	22600	11500	2.76	2.06	8.5
	ENH4X48*21**	OLV112A16A	35600	29400	16.2	12.5	1083	881	36200	24200	3.84	3.92	22800	12500	2.82	2.22	9.2
	ENH4X48*21**	OLV154F20A	36400	30200	16.7	12.7	1248	1022	36600	24600	4.02	4.1	23000	12700	2.9	2.28	9.5
	ENH4X48*21**	OMV098J12A	35200	28000	16	12	1038	687	36200	23200	3.76	3.68	22800	11800	2.78	2.14	8.7
	ENH4X48*21**	OMV112K14A	35400	29000	16.5	12.5	1034	823	36000	24000	3.82	3.9	22600	12300	2.82	2.22	9.2
ENH4X48*21**			35000	28600	14.5	11.7	1050	840	36600	24600	3.68	3.6	23200	13100	2.7	2.1	8.5

ENERGY STAR compliance for combinations with all three: SEER 14.50 or higher and EER 12.00 or higher and HSPF 8.2 or higher.



Unit Size	Indoor Model	Furnace Model	AHRI STANDARD RATINGS														
			Cooling						Heating								
			Capacity		SEER	EER	ID CFM		High Temp				Low Temp				HSPF
			High	Low			High	Low	E Capacity		E COP		H Capacity		H COP		
				High	Low	High	Low	High	Low	High	Low	High	Low	High	Low		
CCH648GKA	*FVM4X48****		46500	38000	16	12.5	1400	1120	47000	33200	3.6	3.8	29400	20200	2.78	2.54	9
	FCM4X48****		46000	37500	16	12.5	1301	1040	47000	33200	3.6	3.8	29400	20200	2.78	2.52	9
	FCM4X60****		46500	38000	16.2	12.7	1301	1040	47000	33400	3.72	3.88	29400	20200	2.84	2.56	9.2
	FVM4X60****		47500	38500	16.2	12.7	1400	1120	47000	33400	3.72	3.9	29200	20200	2.84	2.56	9.2
	EA*4X48*17A*	*8MV*0901716**	45500	37000	15.2	12	1301	1040	47500	33400	3.56	3.76	29800	20400	2.72	2.5	9
	EA*4X48*17A*	*9MV*0801716A**	44000	37000	14.5	11.5	1255	1085	47000	33600	3.42	3.62	29600	20600	2.66	2.42	8.5
	EA*4X48*17A*	*9MX*0801716A**	45500	37000	14.7	11.5	1350	1045	47500	33400	3.46	3.64	30000	20400	2.66	2.44	8.7
	EA*4X48*17A*		45500	37000	14	11.5	1400	1120	47500	34000	3.48	3.56	29600	21200	2.64	2.4	8.5
	EA*4X48*21A*	*8MV*0901716**	45000	37400	15.2	12	1301	1040	47000	33400	3.52	3.72	29600	20200	2.72	2.48	9
	EA*4X48*21A*	*8MV*1102120**	45000	37400	15.5	12	1301	1040	47000	33200	3.54	3.72	29600	20200	2.72	2.5	9
	EA*4X48*21A*	*9MA*0602120A**	43500	37200	14.7	11.5	1300	1040	47500	34200	3.42	3.68	30000	23000	2.64	2.74	8.7
	EA*4X48*21A*	*9MA*0802120A**	44000	37200	15	11.7	1300	1040	47000	34200	3.5	3.74	29600	22800	2.7	2.76	9
	EA*4X48*21A*	*9MA*1002122A**	44000	37400	15.2	12	1300	1040	47000	34000	3.54	3.76	29600	22600	2.72	2.78	9
	EA*4X48*21A*	*9MV*0801716A**	43500	37400	14.5	11.5	1265	1095	46500	33400	3.42	3.62	28800	20600	2.6	2.44	8.5
	EA*4X48*21A*	*9MV*0802120A**	45000	37200	15	12	1230	1090	47500	34400	3.52	3.7	30400	22600	2.86	2.76	9
	EA*4X48*21A*	*9MV*1002120A**	45000	37000	15	12	1215	1075	47000	34400	3.52	3.7	30400	22600	2.86	2.76	9
	EA*4X48*21A*	*9MX*0801716A**	45000	37200	14.7	11.2	1365	1055	47500	33200	3.42	3.6	30000	20400	2.64	2.44	8.7
	EA*4X48*21A*	*9MX*0802120A**	45500	37500	14.7	11.7	1385	1240	47000	35000	3.5	3.78	29600	23200	2.72	2.78	9
	EA*4X48*21A*	*9MX*1002120A**	45500	37500	15	12	1360	1180	47000	34800	3.52	3.76	29400	23000	2.72	2.78	9
	EA*4X48*21A*	OLV112A16A	45000	37000	14.5	11.2	1449	1169	48000	33800	3.42	3.66	29800	20800	2.6	2.44	8.7
	EA*4X48*21A*		45000	37200	13.7	11.5	1400	1120	47500	34000	3.44	3.5	29400	21200	2.62	2.38	8.5
	EA*4X48*24A*	*8MV*1102120**	45000	37400	15.5	12	1301	1040	47000	33200	3.56	3.74	29400	20200	2.74	2.5	9
	EA*4X48*24A*	*8MV*1352422**	45500	37400	15.5	12	1301	1040	47000	33200	3.58	3.76	29400	20200	2.76	2.52	9
	EA*4X48*24A*	*9MA*0602120A**	44000	37200	14.7	11.5	1300	1040	47500	34200	3.44	3.68	30000	22800	2.66	2.74	8.7
	EA*4X48*24A*	*9MA*0802120A**	44000	37200	15	12	1300	1040	47000	34000	3.52	3.74	29600	22600	2.72	2.78	9
	EA*4X48*24A*	*9MA*1002122A**	44000	37400	15.2	12	1300	1040	47000	34000	3.54	3.76	29400	22600	2.74	2.78	9
	EA*4X48*24A*	*9MA*1202422A**	45000	37200	15	12	1300	1040	47000	33400	3.52	3.72	29600	20400	2.72	2.48	9
	EA*4X48*24A*	*9MV*0802120A**	45500	37200	15	12	1250	1110	47500	34400	3.54	3.74	30400	22600	2.86	2.76	9
	EA*4X48*24A*	*9MV*1002120A**	45000	37200	15	12	1230	1090	47500	34400	3.54	3.72	30400	22600	2.86	2.76	9
	EA*4X48*24A*	*9MV*1202422A**	44000	37000	15.2	12	1270	1115	46500	33200	3.5	3.72	28400	20200	2.66	2.48	8.7
	EA*4X48*24A*	*9MX*0802120A**	44500	38000	14.2	12	1405	1405	47000	35600	3.52	3.78	29600	23800	2.72	2.76	9
	EA*4X48*24A*	*9MX*1002120A**	45500	38000	14.5	12	1380	1380	47000	35600	3.52	3.8	29400	23600	2.72	2.78	9
EA*4X48*24A*	*9MX*1202422A**	45500	38000	15	12	1410	1285	47000	34000	3.54	3.76	29600	20800	2.72	2.5	9	
EA*4X48*24A*	MV16J22**B*	45500	37500	15.7	12.2	1400	1120	46500	33000	3.62	3.78	29200	20000	2.8	2.52	9	
EA*4X48*24A*	MV20L24**B*	45500	37500	15.7	12.2	1400	1120	46500	33000	3.62	3.8	29200	20000	2.8	2.52	9	
EA*4X48*24A*	OLV112A16A	45500	37000	14.5	11.2	1449	1169	47500	33800	3.44	3.66	29600	20800	2.62	2.46	8.7	
EA*4X48*24A*	OLV154F20A	46500	38000	15	11.5	1669	1330	48000	34000	3.56	3.82	30400	20800	2.72	2.52	9	
EA*4X48*24A*		45000	37200	13.7	11.5	1400	1120	47500	34000	3.44	3.5	29400	21200	2.62	2.38	8.5	

\* Tested Combo

Unit Size	Indoor Model	Furnace Model	AHRI STANDARD RATINGS														HSPF
			Cooling						Heating								
			Capacity		SEER	EER	ID CFM		High Temp				Low Temp				
			High	Low			High	Low	E Capacity		E COP		H Capacity		H COP		
						High	Low	High	Low	High	Low	High	Low				
CCH648GKA	EA*4X60*21A*	*8MV*0901716**	46000	37000	15.5	12	1301	1040	47500	33400	3.56	3.8	29800	20400	2.76	2.52	9
	EA*4X60*21A*	*8MV*1102120**	46000	37000	15.5	12.2	1301	1040	47000	33400	3.58	3.8	29600	20200	2.78	2.52	9
	EA*4X60*21A*	*9MA*0602120A**	45000	37000	15	11.7	1300	1040	49000	34400	3.54	3.74	31600	23000	2.84	2.76	9.2
	EA*4X60*21A*	*9MA*0802120A**	45000	37000	15.2	12	1300	1040	48500	34200	3.62	3.8	31200	22800	2.9	2.8	9.2
	EA*4X60*21A*	*9MA*1002122A**	45000	37000	15.5	12.2	1300	1040	48500	34200	3.66	3.82	31000	22800	2.92	2.82	9.2
	EA*4X60*21A*	*9MV*0801716A**	44500	37500	15	11.7	1280	1105	47000	33600	3.46	3.68	29000	20600	2.66	2.46	8.7
	EA*4X60*21A*	*9MV*0802120A**	46000	37000	15.2	12.2	1245	1105	47500	34600	3.58	3.78	30600	22800	2.9	2.8	9.2
	EA*4X60*21A*	*9MV*1002120A**	46000	37000	15.2	12.5	1230	1090	47500	34600	3.58	3.78	30400	22600	2.9	2.8	9.2
	EA*4X60*21A*	*9MX*0801716A**	46000	37000	15	11.5	1375	1065	47500	33400	3.46	3.68	30000	20400	2.68	2.46	8.7
	EA*4X60*21A*	*9MX*0802120A**	46500	38500	15	12	1400	1255	48500	35200	3.62	3.86	31200	23400	2.9	2.82	9.2
	EA*4X60*21A*	*9MX*1002120A**	46500	38000	15.2	12	1375	1195	48000	35000	3.64	3.84	31000	23000	2.9	2.82	9.2
	EA*4X60*21A*	OLV112A16A	46000	37500	14.7	11.5	1449	1169	48000	33800	3.48	3.72	30400	20800	2.68	2.48	9
	EA*4X60*21A*		46000	37000	14	11.5	1400	1120	47500	34200	3.48	3.56	29800	21200	2.66	2.4	8.5
	EA*4X60*24A*	*8MV*1102120**	46000	37000	15.5	12.2	1301	1040	47000	33400	3.6	3.8	29600	20200	2.78	2.52	9
	EA*4X60*24A*	*8MV*1352422**	46500	37500	15.7	12.5	1301	1040	47000	33400	3.62	3.82	29400	20200	2.8	2.54	9
	EA*4X60*24A*	*9MA*0602120A**	45000	37000	15	11.7	1300	1040	49000	34400	3.54	3.76	31400	23000	2.84	2.76	9.2
	EA*4X60*24A*	*9MA*0802120A**	45000	37000	15.2	12	1300	1040	48500	34200	3.62	3.8	31200	22800	2.9	2.8	9.2
	EA*4X60*24A*	*9MA*1002122A**	45000	37000	15.5	12.2	1300	1040	48500	34200	3.66	3.82	31000	22600	2.92	2.82	9.2
	EA*4X60*24A*	*9MA*1202422A**	46000	37000	15.5	12	1300	1040	47000	33400	3.56	3.78	29600	20400	2.76	2.5	9
	EA*4X60*24A*	*9MV*0802120A**	46500	37000	15.2	12.2	1250	1110	47500	34600	3.58	3.8	30600	22800	2.9	2.8	9.2
	EA*4X60*24A*	*9MV*1002120A**	46000	37000	15.2	12.5	1235	1095	47500	34600	3.58	3.78	30600	22600	2.9	2.8	9.2
	EA*4X60*24A*	*9MV*1202422A**	45000	37500	15.5	12.2	1270	1115	46500	33400	3.54	3.78	28600	20400	2.7	2.5	9
	EA*4X60*24A*	*9MX*0802120A**	46500	38500	15	12	1410	1260	48500	35200	3.64	3.86	31200	23400	2.9	2.82	9.2
	EA*4X60*24A*	*9MX*1002120A**	46500	38000	15.2	12	1385	1200	48500	35000	3.64	3.86	31000	23000	2.92	2.82	9.2
	EA*4X60*24A*	*9MX*1202422A**	46500	38500	15	12	1415	1290	47500	34200	3.58	3.84	29800	21000	2.76	2.52	9
	EA*4X60*24A*	MV16J22**B*	46500	38000	15.7	12.5	1400	1120	47000	33200	3.66	3.86	29200	20200	2.82	2.56	9.2
	EA*4X60*24A*	MV20L24**B*	46500	38000	16	12.5	1400	1120	47000	33200	3.66	3.86	29200	20200	2.84	2.56	9.2
	EA*4X60*24A*	OLV112A16A	46500	37500	14.7	11.5	1449	1169	48000	33800	3.48	3.74	30400	20800	2.68	2.48	9
	EA*4X60*24A*	OLV154F20A	47500	38500	15.5	11.7	1669	1330	48500	34200	3.6	3.9	30400	21000	2.76	2.56	9.2
	EA*4X60*24A*		46000	37000	14	11.5	1400	1120	47500	34200	3.48	3.56	29800	21200	2.66	2.4	8.5
	EHD4X48A**	*8MV*0901716**	45500	37000	15.5	12	1301	1040	47500	33400	3.56	3.76	29800	20400	2.72	2.5	9
	EHD4X48A**	*8MV*1102120**	45500	37000	15.5	12	1301	1040	47000	33400	3.58	3.76	29600	20400	2.74	2.5	9
	EHD4X48A**	*8MV*1352422**	46000	37000	15.5	12.2	1301	1040	47000	33400	3.6	3.78	29400	20200	2.76	2.52	9
	EHD4X48A**	*8MX*0701716**	45500	37000	14.7	11.2	1425	1070	48000	33400	3.42	3.64	30200	20600	2.6	2.44	8.7
	EHD4X48A**	*8MX*0902116**	46000	37500	15.5	12	1390	1080	47000	33200	3.56	3.74	29200	20200	2.7	2.5	9
	EHD4X48A**	*8MX*1102120**	46000	38500	15	12	1340	1345	47000	34200	3.58	3.82	28800	21200	2.72	2.52	9
	EHD4X48A**	*8MX*1352420**	46000	38000	15	12	1360	1200	47000	33800	3.56	3.78	29000	20600	2.7	2.5	9
	EHD4X48A**	*9MA*0602120A**	44500	37000	14.7	11.5	1300	1040	49000	34400	3.54	3.72	31600	23000	2.8	2.74	9
	EHD4X48A**	*9MA*0802120A**	44500	37000	15.2	12	1300	1040	48500	34200	3.62	3.76	31200	22800	2.86	2.78	9.2
	EHD4X48A**	*9MA*1002122A**	44500	37000	15.2	12	1300	1040	48500	34200	3.64	3.78	31000	22800	2.9	2.8	9.2

Unit Size	Indoor Model	Furnace Model	AHRI STANDARD RATINGS														HSPF
			Cooling						Heating								
			Capacity		SEER	EER	ID CFM		High Temp				Low Temp				
			High	Low			High	Low	E Capacity		E COP		H Capacity		H COP		
						High	Low	High	Low	High	Low	High	Low				
CCH648GKA	EHD4X48A**	*9MA*1202422A**	45500	37000	15.2	12	1300	1040	47500	33400	3.54	3.74	29800	20400	2.72	2.5	9
	EHD4X48A**	*9MV*0801716A**	44000	37000	14.7	11.5	1265	1090	47000	33600	3.46	3.64	28800	20600	2.62	2.44	8.7
	EHD4X48A**	*9MV*0802120A**	46000	37400	15	12	1225	1085	47500	34400	3.58	3.74	30400	22600	2.88	2.76	9
	EHD4X48A**	*9MV*1002120A**	45500	37400	15	12	1205	1070	47500	34400	3.56	3.74	30400	22600	2.86	2.76	9
	EHD4X48A**	*9MV*1202422A**	44500	37500	15.2	12	1240	1090	46500	33400	3.52	3.72	28400	20400	2.68	2.48	8.7
	EHD4X48A**	*9MX*0801716A**	45500	37000	15	11.5	1360	1050	47500	33400	3.46	3.64	30000	20400	2.66	2.44	8.7
	EHD4X48A**	*9MX*0802120A**	46000	38000	15	12	1380	1235	48500	35200	3.62	3.8	31000	23200	2.88	2.78	9.2
	EHD4X48A**	*9MX*1002120A**	46000	38000	15	12	1350	1175	48000	34800	3.62	3.8	31000	23000	2.88	2.8	9.2
	EHD4X48A**	*9MX*1202422A**	46000	38000	15	12	1375	1255	47000	34000	3.54	3.78	29600	21000	2.72	2.5	9
	EHD4X48A**	MV16J22**B*	46000	38000	15.7	12.2	1400	1120	47000	33200	3.64	3.82	29200	20200	2.8	2.54	9
	EHD4X48A**	MV20L24**B*	46000	38000	15.7	12.2	1400	1120	47000	33200	3.64	3.82	29200	20200	2.8	2.54	9
	EHD4X48A**	OLV112A16A	46000	37500	14.5	11.2	1449	1169	48000	33800	3.46	3.68	30400	20800	2.64	2.46	8.7
	EHD4X48A**	OLV154F20A	47000	38500	15	11.5	1669	1330	48500	34200	3.58	3.84	30600	21000	2.72	2.52	9
	EHD4X48A**		46500	37000	14	11.5	1600	1120	48500	34000	3.52	3.54	30600	21200	2.68	2.38	8.7
	EHD4X60A**	*8MV*0901716**	46500	37500	15.5	12.2	1301	1040	47500	33400	3.6	3.8	29600	20400	2.78	2.52	9
	EHD4X60A**	*8MV*1102120**	46500	37500	15.7	12.5	1301	1040	47000	33400	3.64	3.82	29600	20200	2.8	2.54	9
	EHD4X60A**	*8MV*1352422**	46500	37500	15.7	12.5	1301	1040	47000	33400	3.66	3.84	29400	20200	2.82	2.54	9.2
	EHD4X60A**	*8MX*0701716**	46500	37500	15	11.2	1465	1095	48500	33600	3.48	3.7	30600	20600	2.66	2.48	9
	EHD4X60A**	*8MX*0902116**	47000	38000	15.5	12	1430	1105	47500	33400	3.62	3.8	29800	20200	2.78	2.52	9
	EHD4X60A**	*8MX*1102120**	47000	39500	15.5	12.5	1395	1390	47000	34400	3.64	3.92	29400	21200	2.8	2.56	9.2
	EHD4X60A**	*8MX*1352420**	47000	39000	15.5	12.2	1420	1250	47500	34000	3.64	3.88	29600	20800	2.78	2.54	9.2
	EHD4X60A**	*9MA*0602120A**	45000	38000	15	12	1300	1122	49000	34400	3.6	3.76	31400	23000	2.86	2.78	9.2
	EHD4X60A**	*9MA*0802120A**	45500	37500	15.5	12.2	1300	1040	48500	34200	3.68	3.82	31000	22800	2.92	2.82	9.2
	EHD4X60A**	*9MA*1002122A**	45500	37500	15.5	12.2	1300	1040	48500	34200	3.7	3.84	31000	22800	2.94	2.82	9.2
	EHD4X60A**	*9MA*1202422A**	46500	37500	15.5	12.2	1300	1040	47500	33400	3.6	3.8	29600	20400	2.78	2.52	9
	EHD4X60A**	*9MV*0801716A**	45000	38000	15	11.7	1290	1110	47000	33600	3.5	3.7	29000	20600	2.66	2.48	8.7
	EHD4X60A**	*9MV*0802120A**	46500	37500	15.2	12.5	1260	1115	47500	34600	3.62	3.82	30600	22800	2.92	2.8	9.2
	EHD4X60A**	*9MV*1002120A**	46500	37500	15.5	12.5	1240	1100	47500	34600	3.62	3.8	30600	22800	2.92	2.8	9.2
	EHD4X60A**	*9MV*1202422A**	45000	38000	15.5	12.2	1280	1125	46500	33400	3.58	3.8	28600	20400	2.72	2.52	9
	EHD4X60A**	*9MX*0801716A**	46500	37500	15	11.5	1390	1070	47500	33400	3.5	3.7	30200	20400	2.7	2.48	8.7
	EHD4X60A**	*9MX*0802120A**	47000	38500	15.2	12	1420	1265	48500	35200	3.68	3.88	31200	23400	2.92	2.82	9.5
	EHD4X60A**	*9MX*1002120A**	47000	38500	15.5	12.2	1400	1210	48500	35000	3.68	3.88	31000	23000	2.94	2.84	9.5
EHD4X60A**	*9MX*1202422A**	47000	39000	15.2	12	1430	1300	47500	34200	3.62	3.86	29800	21000	2.78	2.54	9	
EHD4X60A**	MV16J22**B*	46500	38500	16	12.5	1400	1120	47000	33200	3.7	3.88	29200	20200	2.84	2.56	9.2	
EHD4X60A**	MV20L24**B*	46500	38500	16.2	12.7	1400	1120	47000	33200	3.7	3.88	29200	20200	2.84	2.56	9.2	
EHD4X60A**	OLV112A16A	46500	38000	15	11.5	1449	1169	48000	33800	3.52	3.76	30200	20800	2.7	2.48	9	
EHD4X60A**	OLV154F20A	47500	39000	15.5	12	1669	1330	48500	34200	3.66	3.92	30400	21000	2.78	2.56	9.2	
EHD4X60A**		47500	37500	14.2	11.5	1680	1120	49000	34200	3.58	3.58	30800	21200	2.72	2.4	8.7	

Unit Size	Indoor Model	Furnace Model	AHRI STANDARD RATINGS														HSPF
			Cooling						Heating								
			Capacity		SEER	EER	ID CFM		High Temp				Low Temp				
			High	Low			High	Low	E Capacity		E COP		H Capacity		H COP		
						High	Low	High	Low	High	Low	High	Low				
CCH648GKA	EN(A,D)4X48*24**	*8MV*1102120**	45500	37400	15.5	12	1301	1040	47000	33200	3.56	3.76	29400	20200	2.74	2.5	9
	EN(A,D)4X48*24**	*8MV*1352422**	45500	37000	15.5	12.2	1301	1040	47000	33200	3.58	3.78	29200	20200	2.76	2.52	9
	EN(A,D)4X48*24**	*8MX*0902116**	46000	37500	15.5	12	1420	1105	47000	33200	3.54	3.74	29000	20200	2.7	2.5	9
	EN(A,D)4X48*24**	*8MX*1102120**	46000	37500	15.5	12	1380	1130	47000	33200	3.56	3.76	28600	20200	2.72	2.5	9
	EN(A,D)4X48*24**	*8MX*1352420**	46000	38000	15	12	1400	1235	47000	33800	3.54	3.78	29000	20600	2.7	2.5	9
	EN(A,D)4X48*24**	*9MA*0602120A**	44000	37200	14.7	11.5	1300	1040	48500	34200	3.52	3.7	31400	22800	2.8	2.74	9
	EN(A,D)4X48*24**	*9MA*0802120A**	44500	37400	15.2	12	1300	1040	48000	34000	3.6	3.76	31000	22600	2.86	2.78	9.2
	EN(A,D)4X48*24**	*9MA*1002122A**	44500	37400	15.2	12	1300	1040	48000	34000	3.62	3.78	30800	22600	2.9	2.8	9.2
	EN(A,D)4X48*24**	*9MA*1202422A**	45500	37400	15.2	12	1300	1040	47000	33400	3.52	3.72	29600	20400	2.72	2.48	9
	EN(A,D)4X48*24**	*9MV*0802120A**	45500	37400	15	12	1250	1110	47500	34400	3.56	3.74	30400	22600	2.86	2.78	9
	EN(A,D)4X48*24**	*9MV*1002120A**	45500	37200	15	12	1235	1095	47500	34400	3.56	3.74	30400	22600	2.86	2.78	9
	EN(A,D)4X48*24**	*9MV*1202422A**	44000	37500	15.2	12	1270	1120	46500	33400	3.5	3.72	28400	20400	2.68	2.5	8.7
	EN(A,D)4X48*24**	*9MX*0802120A**	45500	38000	15	12	1410	1260	48000	35000	3.6	3.8	31000	23200	2.88	2.78	9.2
	EN(A,D)4X48*24**	*9MX*1002120A**	45500	37500	15	12	1385	1205	48000	34800	3.6	3.8	30800	23000	2.88	2.8	9.2
	EN(A,D)4X48*24**	*9MX*1202422A**	46000	38000	15	12	1415	1290	47000	34000	3.54	3.78	29600	20800	2.72	2.5	9
	EN(A,D)4X48*24**	MV16J22**B*	45500	37500	15.7	12.2	1400	1120	46500	33200	3.62	3.8	29200	20000	2.8	2.54	9
	EN(A,D)4X48*24**	MV20L24**B*	45500	37500	15.7	12.2	1400	1120	46500	33200	3.62	3.8	29200	20000	2.8	2.54	9
	EN(A,D)4X48*24**	OLV112A16A	45500	37500	14.7	11.2	1449	1169	47500	33800	3.44	3.68	29800	20800	2.62	2.46	8.7
	EN(A,D)4X48*24**	OLV154F20A	46500	38500	15	11.5	1669	1330	48000	34000	3.56	3.84	30400	20800	2.72	2.52	9
	EN(A,D)4X48*24**		45500	37000	15	11.5	1400	1120	47500	33400	3.44	3.68	29400	20400	2.62	2.46	8.7
	EN(A,D,W)4X48*21**	*8MV*0901716**	45500	37400	15.5	12	1301	1040	47000	33200	3.52	3.74	29600	20200	2.72	2.5	9
	EN(A,D,W)4X48*21**	*8MV*1102120**	45500	37400	15.5	12	1301	1040	47000	33200	3.56	3.76	29400	20200	2.74	2.5	9
	EN(A,D,W)4X48*21**	*8MX*0701716**	45500	37000	14.5	11	1455	1095	48000	33400	3.4	3.64	30000	20400	2.58	2.44	8.5
	EN(A,D,W)4X48*21**	*8MX*0902116**	46000	37500	15.5	12	1420	1105	47000	33200	3.54	3.74	29000	20200	2.7	2.5	9
	EN(A,D,W)4X48*21**	*8MX*1102120**	46000	37500	15.5	12	1380	1130	47000	33200	3.56	3.76	28600	20200	2.72	2.5	9
	EN(A,D,W)4X48*21**	*8MX*1352420**	46000	38000	15	12	1400	1235	47000	33800	3.54	3.78	29000	20600	2.7	2.5	8.7
	EN(A,D,W)4X48*21**	*9MA*0602120A**	44000	37200	14.7	11.5	1300	1040	48500	34200	3.52	3.7	31400	22800	2.8	2.74	9
	EN(A,D,W)4X48*21**	*9MA*0802120A**	44500	37400	15.2	12	1300	1040	48000	34000	3.6	3.76	31000	22600	2.86	2.78	9.2
	EN(A,D,W)4X48*21**	*9MA*1002122A**	44500	37400	15.2	12	1300	1040	48000	34000	3.62	3.78	30800	22600	2.9	2.8	9.2
	EN(A,D,W)4X48*21**	*9MV*0801716A**	44000	37000	14.7	11.5	1280	1105	47000	33600	3.42	3.64	28800	20600	2.62	2.44	8.7
	EN(A,D,W)4X48*21**	*9MV*0802120A**	45500	37400	15	12	1250	1110	47500	34400	3.56	3.74	30400	22600	2.86	2.78	9
	EN(A,D,W)4X48*21**	*9MV*1002120A**	45500	37200	15	12	1235	1095	47500	34400	3.56	3.74	30400	22600	2.86	2.78	9
	EN(A,D,W)4X48*21**	*9MX*0801716A**	45000	37400	14.7	11.5	1380	1065	47500	33200	3.44	3.62	30000	20400	2.66	2.44	8.7
	EN(A,D,W)4X48*21**	*9MX*0802120A**	45500	38000	15	12	1410	1260	48000	35000	3.6	3.8	31000	23200	2.88	2.78	9.2
	EN(A,D,W)4X48*21**	*9MX*1002120A**	45500	37500	15	12	1385	1205	48000	34800	3.6	3.8	30800	23000	2.88	2.8	9.2
	EN(A,D,W)4X48*21**	OLV112A16A	45500	37500	14.7	11.2	1449	1169	47500	33800	3.44	3.68	29800	20800	2.62	2.46	8.7
	EN(A,D,W)4X48*21**		45500	37000	14.5	11.5	1400	1120	47500	33600	3.44	3.64	29400	20600	2.62	2.44	8.5

Unit Size	Indoor Model	Furnace Model	AHRI STANDARD RATINGS														
			Cooling						Heating								
			Capacity		SEER	EER	ID CFM		High Temp				Low Temp				HSPF
			High	Low			High	Low	E Capacity		E COP		H Capacity		H COP		
				High	Low	High	Low	High	Low	High	Low	High	Low	High	Low		
CCH648GKA	EN(A,D,W)4X60*24**	*8MV*1102120**	46000	37500	15.5	12.2	1301	1040	47000	33400	3.6	3.82	29400	20200	2.78	2.54	9
	EN(A,D,W)4X60*24**	*8MV*1352422**	46000	37500	16	12.5	1301	1040	47000	33200	3.62	3.84	29400	20200	2.8	2.54	9.2
	EN(A,D,W)4X60*24**	*8MX*0902116**	46500	37500	15.5	12	1430	1115	47500	33400	3.58	3.8	29600	20200	2.76	2.52	9
	EN(A,D,W)4X60*24**	*8MX*1102120**	46500	38000	15.7	12.5	1395	1145	47000	33400	3.6	3.84	29000	20400	2.76	2.54	9
	EN(A,D,W)4X60*24**	*8MX*1352420**	46500	38500	15.5	12	1420	1255	47000	33800	3.6	3.86	29200	20800	2.76	2.54	9
	EN(A,D,W)4X60*24**	*9MA*0602120A**	45000	37000	15	11.7	1300	1040	48500	34400	3.54	3.76	31400	23000	2.84	2.78	9.2
	EN(A,D,W)4X60*24**	*9MA*0802120A**	45000	37000	15.5	12	1300	1040	48500	34200	3.62	3.82	31000	22800	2.9	2.82	9.2
	EN(A,D,W)4X60*24**	*9MA*1002122A**	45000	37000	15.5	12.2	1300	1040	48000	34200	3.66	3.84	31000	22600	2.92	2.82	9.5
	EN(A,D,W)4X60*24**	*9MA*1202422A**	46000	37000	15.5	12.2	1300	1040	47000	33400	3.56	3.78	29600	20400	2.76	2.52	9
	EN(A,D,W)4X60*24**	*9MV*0802120A**	46500	37000	15.2	12.2	1265	1125	47500	34600	3.6	3.82	30600	22800	2.9	2.8	9.2
	EN(A,D,W)4X60*24**	*9MV*1002120A**	46000	37000	15.2	12.5	1245	1110	47500	34600	3.58	3.8	30400	22800	2.9	2.8	9.2
	EN(A,D,W)4X60*24**	*9MV*1202422A**	45000	38000	15.5	12.2	1285	1135	46500	33400	3.54	3.8	28600	20400	2.72	2.52	9
	EN(A,D,W)4X60*24**	*9MX*0802120A**	46500	38500	15	12	1420	1270	48500	35200	3.64	3.86	31000	23400	2.9	2.82	9.2
	EN(A,D,W)4X60*24**	*9MX*1002120A**	46500	38000	15.2	12	1400	1215	48000	35000	3.64	3.86	31000	23000	2.92	2.82	9.2
	EN(A,D,W)4X60*24**	*9MX*1202422A**	46500	38500	15	12	1425	1305	47000	34200	3.58	3.84	29600	21000	2.76	2.52	9
	EN(A,D,W)4X60*24**	MV16J22**B*	46500	38000	16	12.5	1400	1120	46500	33200	3.66	3.86	29200	20200	2.84	2.56	9.2
	EN(A,D,W)4X60*24**	MV20L24**B*	46500	38000	16	12.5	1400	1120	46500	33200	3.66	3.86	29200	20000	2.84	2.56	9.2
	EN(A,D,W)4X60*24**	OLV112A16A	46500	38000	15	11.5	1449	1169	48000	33800	3.48	3.74	30000	20800	2.68	2.48	9
	EN(A,D,W)4X60*24**	OLV154F20A	47500	39000	15.5	11.7	1669	1330	48000	34000	3.6	3.9	30400	21000	2.76	2.56	9.2
	EN(A,D,W)4X60*24**		46000	37500	15	11.5	1400	1120	47500	33600	3.46	3.74	29800	20600	2.66	2.48	9
	ENH4X48*21**	*8MV*0901716**	45500	37400	15.5	12	1301	1040	47000	33200	3.52	3.74	29600	20200	2.72	2.5	9
	ENH4X48*21**	*8MV*1102120**	45500	37400	15.5	12	1301	1040	47000	33200	3.56	3.76	29400	20200	2.74	2.5	9
	ENH4X48*21**	*8MV*1352422**	45500	37000	15.5	12.2	1301	1040	47000	33200	3.58	3.78	29200	20200	2.76	2.52	9
	ENH4X48*21**	*8MX*0701716**	45500	37000	14.5	11	1455	1095	48000	33400	3.4	3.64	30000	20400	2.58	2.44	8.5
	ENH4X48*21**	*8MX*0902116**	46000	37500	15.5	12	1420	1105	47000	33200	3.54	3.74	29000	20200	2.7	2.5	9
	ENH4X48*21**	*8MX*1102120**	46000	37500	15.5	12	1380	1130	47000	33200	3.56	3.76	28600	20200	2.72	2.5	9
	ENH4X48*21**	*8MX*1352420**	46000	38000	15	12	1400	1235	47000	33800	3.54	3.78	29000	20600	2.7	2.5	9
	ENH4X48*21**	*9MA*0602120A**	44000	37200	15	11.5	1300	1040	48500	34200	3.52	3.7	31400	22800	2.8	2.74	9
	ENH4X48*21**	*9MA*0802120A**	44500	37400	15.2	12	1300	1040	48000	34000	3.6	3.76	31000	22600	2.86	2.78	9.2
	ENH4X48*21**	*9MA*1002122A**	44500	37400	15.2	12	1300	1040	48000	34000	3.62	3.78	30800	22600	2.9	2.8	9.2
	ENH4X48*21**	*9MA*1202422A**	45500	37400	15.2	12	1300	1040	47000	33400	3.52	3.72	29600	20400	2.72	2.48	9
	ENH4X48*21**	*9MV*0801716A**	44000	37000	14.7	11.5	1280	1105	47000	33600	3.42	3.64	28800	20600	2.62	2.44	8.7
ENH4X48*21**	*9MV*0802120A**	45500	37400	15	12	1250	1110	47500	34400	3.56	3.74	30400	22600	2.86	2.78	9	
ENH4X48*21**	*9MV*1002120A**	45500	37200	15	12	1235	1095	47500	34400	3.56	3.74	30400	22600	2.86	2.78	9	
ENH4X48*21**	*9MX*0801716A**	45000	37400	14.7	11.5	1380	1065	47500	33200	3.44	3.62	30000	20400	2.66	2.44	8.7	
ENH4X48*21**	*9MX*0802120A**	45500	38000	15	12	1410	1260	48000	35000	3.6	3.8	31000	23200	2.88	2.78	9.2	
ENH4X48*21**	*9MX*1002120A**	45500	37500	15	12	1385	1205	48000	34800	3.6	3.8	30800	23000	2.88	2.8	9.2	

Unit Size	Indoor Model	Furnace Model	AHRI STANDARD RATINGS														HSPF
			Cooling						Heating								
			Capacity		SEER	EER	ID CFM		High Temp				Low Temp				
			High	Low			High	Low	E Capacity		E COP		H Capacity		H COP		
						High	Low	High	Low	High	Low	High	Low				
CCH648GKA	ENH4X48*21**	*9MX*1202422A**	45000	38000	15	12	1415	1290	47000	34000	3.54	3.78	29600	20800	2.72	2.5	9
	ENH4X48*21**	OLV112A16A	45500	37500	14.7	11.2	1449	1169	47500	33800	3.44	3.68	29800	20800	2.62	2.46	8.7
	ENH4X48*21**	OLV154F20A	46500	38500	15	11.5	1669	1330	48000	34000	3.56	3.84	30400	20800	2.72	2.52	9
	ENH4X48*21**		45500	37000	14.5	11.5	1400	1120	47500	33600	3.44	3.64	29400	20600	2.62	2.44	8.5
	ENH4X60*24**	*8MV*0901716**	46000	37500	15.5	12.2	1301	1040	47000	33400	3.56	3.8	29600	20400	2.76	2.52	9
	ENH4X60*24**	*8MV*1102120**	46000	37500	15.5	12.2	1301	1040	47000	33400	3.6	3.82	29400	20200	2.78	2.54	9
	ENH4X60*24**	*8MV*1352422**	46000	37500	16	12.5	1301	1040	47000	33200	3.62	3.84	29400	20200	2.8	2.54	9.2
	ENH4X60*24**	*8MX*0701716**	46000	37500	15	11.2	1465	1100	48000	33600	3.42	3.7	30600	20600	2.64	2.46	9
	ENH4X60*24**	*8MX*0902116**	46500	37500	15.5	12	1430	1115	47500	33400	3.58	3.8	29400	20200	2.74	2.52	9
	ENH4X60*24**	*8MX*1102120**	46500	39000	15.2	12.5	1395	1390	47000	34400	3.6	3.88	29000	21200	2.76	2.54	9
	ENH4X60*24**	*8MX*1352420**	46500	38500	15.5	12	1420	1255	47000	33800	3.6	3.86	29400	20800	2.76	2.54	9
	ENH4X60*24**	*9MA*0602120A**	45000	37000	15	11.7	1300	1040	48500	34400	3.54	3.76	31400	23000	2.84	2.78	9.2
	ENH4X60*24**	*9MA*0802120A**	45000	37000	15.5	12	1300	1040	48500	34200	3.62	3.82	31000	22800	2.9	2.82	9.2
	ENH4X60*24**	*9MA*1002122A**	45000	37000	15.5	12.2	1300	1040	48000	34200	3.66	3.84	31000	22600	2.92	2.82	9.2
	ENH4X60*24**	*9MA*1202422A**	46000	37000	15.5	12.2	1300	1040	47000	33400	3.56	3.78	29600	20400	2.76	2.52	9
	ENH4X60*24**	*9MV*0801716A**	44500	37500	15	11.7	1290	1115	47000	33600	3.46	3.7	29000	20600	2.66	2.48	8.7
	ENH4X60*24**	*9MV*0802120A**	46500	37000	15.2	12.2	1265	1125	47500	34600	3.6	3.82	30600	22800	2.9	2.8	9.2
	ENH4X60*24**	*9MV*1002120A**	46000	37000	15.2	12.5	1245	1110	47500	34600	3.58	3.8	30400	22800	2.9	2.8	9.2
	ENH4X60*24**	*9MV*1202422A**	45000	38000	15.5	12.2	1285	1135	46500	33400	3.54	3.8	28600	20400	2.72	2.52	9
	ENH4X60*24**	*9MX*0801716A**	46000	37500	15	11.5	1390	1075	47500	33400	3.46	3.7	30000	20400	2.68	2.48	9
	ENH4X60*24**	*9MX*0802120A**	46500	38500	15	12	1420	1270	48500	35200	3.64	3.86	31000	23400	2.9	2.82	9.2
	ENH4X60*24**	*9MX*1002120A**	46500	38000	15.2	12	1400	1215	48000	35000	3.64	3.86	31000	23000	2.92	2.82	9.2
	ENH4X60*24**	*9MX*1202422A**	46500	38500	15	12	1425	1305	47000	34200	3.58	3.84	29600	21000	2.76	2.52	9
	ENH4X60*24**	MV16J22**B*	46500	38000	16	12.5	1400	1120	46500	33200	3.66	3.86	29200	20000	2.84	2.56	9.2
	ENH4X60*24**	MV20L24**B*	46500	38000	16	12.5	1400	1120	46500	33200	3.66	3.86	29200	20000	2.84	2.56	9.2
	ENH4X60*24**	OLV112A16A	46500	38000	15	11.5	1449	1169	48000	33800	3.48	3.74	30000	20800	2.68	2.48	9
	ENH4X60*24**	OLV154F20A	47500	39000	15.5	11.7	1669	1330	48000	34000	3.6	3.9	30400	21000	2.76	2.56	9.2
	ENH4X60*24**		46000	37500	15	11.5	1400	1120	47500	33600	3.46	3.74	29800	20600	2.66	2.5	9

ENERGY STAR compliance for combinations with all three: SEER 14.50 or higher and EER 12.00 or higher and HSPF 8.2 or higher.

Unit Size	Indoor Model	Furnace Model	AHRI STANDARD RATINGS														
			Cooling						Heating								
			Capacity		SEER	EER	ID CFM		High Temp				Low Temp				HSPF
			High	Low			High	Low	E Capacity		E COP		H Capacity		H COP		
				High	Low	High	Low	High	Low	High	Low	High	Low	High	Low		
CCH660GKA	*FVM4X60****		56500	45500	15.7	12.5	1750	1400	58000	41000	3.78	3.86	36600	25000	2.78	2.48	9.1
	FCM4X60****		55500	45000	15.45	12.5	1625	1300	58000	41000	3.66	3.78	37200	25200	2.7	2.44	9.2
	EA*4X60*21A*	*8MV*1102120**	54500	44000	14.2	12	1625	1445	58500	41000	3.54	3.7	38000	25600	2.62	2.4	8.8
	EA*4X60*21A*	*8MX*1102120**	55000	44500	14.7	12	1670	1336	58000	41000	3.62	3.78	36800	25200	2.7	2.46	9
	EA*4X60*21A*	*8MX*1352420**	54500	44000	15	12	1635	1255	58000	40500	3.6	3.68	36800	24800	2.68	2.42	8.7
	EA*4X60*21A*	*9MA*0602120A**	54000	44000	14.7	11.2	1625	1290	59000	41500	3.62	3.7	36800	25000	2.7	2.42	8.7
	EA*4X60*21A*	*9MA*0802120A**	54500	44000	14.7	11.7	1625	1275	58500	41000	3.64	3.7	36600	25000	2.7	2.42	8.7
	EA*4X60*21A*	*9MA*1002122A**	54500	44000	14.2	12	1625	1300	58500	41000	3.44	3.6	38000	26000	2.56	2.36	8.8
	EA*4X60*21A*	*9MV*0802120A**	54500	44000	14.7	11.7	1580	1320	57500	41500	3.58	3.7	36200	25000	2.66	2.42	8.7
	EA*4X60*21A*	*9MV*1002120A**	54500	44000	14.7	12	1555	1320	57500	41500	3.64	3.72	36800	25000	2.7	2.42	8.7
	EA*4X60*21A*	*9MX*0802120A**	54500	44500	14.2	11.7	1625	1300	58000	42000	3.56	3.7	37600	25400	2.64	2.4	8.7
	EA*4X60*21A*	*9MX*1002120A**	55000	44500	14.5	11.5	1720	1300	58500	42000	3.6	3.72	37200	25400	2.66	2.42	9
	EA*4X60*21A*		55000	44000	13.7	11.7	1750	1400	58500	41500	3.6	3.58	37200	26000	2.68	2.34	8.7
	EA*4X60*24A*	*8MV*1102120**	54500	44000	14.5	12	1625	1415	58500	41000	3.56	3.7	37600	25400	2.64	2.4	8.8
	EA*4X60*24A*	*8MV*1352422**	55000	44500	15	12.2	1625	1300	58000	41000	3.6	3.74	37200	25200	2.68	2.42	9
	EA*4X60*24A*	*8MX*1102120**	55000	45000	15	12	1685	1410	58000	41000	3.64	3.76	36800	25200	2.72	2.44	9
	EA*4X60*24A*	*8MX*1352420**	55000	44000	15	12	1650	1260	58000	40500	3.6	3.68	36800	24800	2.7	2.42	9
	EA*4X60*24A*	*9MA*0602120A**	54000	44000	14.2	11.2	1625	1420	59000	41500	3.56	3.7	37000	25600	2.66	2.4	8.7
	EA*4X60*24A*	*9MA*0802120A**	54500	44000	14.5	11.7	1625	1405	58500	41000	3.58	3.72	37200	25400	2.66	2.42	8.7
	EA*4X60*24A*	*9MA*1002122A**	54500	44000	14.2	12	1625	1300	58500	41000	3.46	3.62	38000	25800	2.56	2.36	8.8
	EA*4X60*24A*	*9MA*1202422A**	54500	44000	14.7	11.7	1625	1325	58500	41000	3.58	3.7	36800	25000	2.68	2.42	9
	EA*4X60*24A*	*9MV*0802120A**	54500	44000	14.7	11.7	1590	1275	57500	41500	3.56	3.66	36800	25000	2.66	2.4	8.7
	EA*4X60*24A*	*9MV*1002120A**	54500	44000	14.7	12	1565	1260	57500	41500	3.56	3.66	36600	25000	2.68	2.4	9
	EA*4X60*24A*	*9MV*1202422A**	54500	44000	15	12	1610	1300	57500	41000	3.58	3.72	37200	25400	2.66	2.42	9
	EA*4X60*24A*	*9MX*0802120A**	54500	44500	14.2	11.7	1635	1300	58000	42000	3.56	3.7	37400	25400	2.64	2.42	8.7
	EA*4X60*24A*	*9MX*1002120A**	55000	44500	14.5	11.7	1735	1300	58500	42000	3.6	3.74	37200	25400	2.68	2.42	9
	EA*4X60*24A*	*9MX*1202422A**	54500	44000	14.7	12	1640	1330	58000	41000	3.6	3.72	36800	25000	2.7	2.44	9
	EA*4X60*24A*	MV16J22**B*	55000	45000	14.85	12.2	1750	1440	58000	41000	3.62	3.74	37000	25600	2.68	2.42	9
	EA*4X60*24A*	MV20L24**B*	55000	45000	15.05	12.2	1750	1430	58000	41000	3.64	3.76	37200	25400	2.7	2.44	9
	EA*4X60*24A*	OLV154F20A	55000	44500	15	12	1669	1300	58000	41000	3.7	3.82	36800	25200	2.74	2.46	8.7
	EA*4X60*24A*		55000	44000	13.7	11.7	1750	1400	58500	41500	3.6	3.58	37200	26000	2.68	2.34	8.7
	EHD4X60A**	*8MV*1102120**	55000	44500	15	12	1625	1300	58500	41000	3.6	3.74	37000	25200	2.68	2.44	9
EHD4X60A**	*8MV*1352422**	55000	44500	15.2	12.5	1625	1300	58000	41000	3.64	3.78	36800	25000	2.72	2.46	9	
EHD4X60A**	*8MX*1102120**	55500	45000	15	12	1710	1425	58000	41000	3.7	3.8	36800	25200	2.74	2.46	9.1	
EHD4X60A**	*8MX*1352420**	55000	44500	15	12	1675	1275	58000	40500	3.66	3.72	36800	24800	2.72	2.44	9	
EHD4X60A**	*9MA*0602120A**	54500	44000	14.2	11.4	1625	1440	59000	41500	3.56	3.7	36800	25600	2.66	2.42	8.7	
EHD4X60A**	*9MA*0802120A**	55000	44500	14.5	11.7	1625	1430	58500	41000	3.58	3.72	37200	25400	2.66	2.42	8.8	

\* Tested Combo

Unit Size	Indoor Model	Furnace Model	AHRI STANDARD RATINGS														HSPF
			Cooling						Heating								
			Capacity		SEER	EER	ID CFM		High Temp				Low Temp				
			High	Low			High	Low	E Capacity		E COP		H Capacity		H COP		
						High	Low	High	Low	High	Low	High	Low				
CCH660GKA	EHD4X60A**	*9MA*1002122A**	55000	44500	14.2	12	1625	1300	58500	41000	3.5	3.64	38000	25800	2.58	2.38	9
	EHD4X60A**	*9MA*1202422A**	55000	44500	14.7	12	1625	1300	58500	41000	3.58	3.72	37200	25400	2.66	2.42	9
	EHD4X60A**	*9MV*0802120A**	55000	44500	14.7	12	1610	1290	58000	41500	3.56	3.68	36600	25000	2.68	2.4	8.8
	EHD4X60A**	*9MV*1002120A**	55000	44500	15	12	1580	1280	57500	41500	3.58	3.68	36400	24800	2.68	2.4	9
	EHD4X60A**	*9MV*1202422A**	55000	44500	15	12	1635	1320	58000	41000	3.58	3.7	36200	25000	2.66	2.42	9
	EHD4X60A**	*9MX*0802120A**	55000	45000	14.5	11.7	1650	1300	58000	42000	3.62	3.74	37400	25400	2.66	2.42	9
	EHD4X60A**	*9MX*1002120A**	55500	45000	14.7	11.7	1755	1300	58500	42000	3.66	3.76	37200	25200	2.7	2.44	9
	EHD4X60A**	*9MX*1202422A**	55000	44500	15	12	1665	1325	58000	41000	3.58	3.7	36800	25000	2.68	2.42	9
	EHD4X60A**	MV16J22**B*	55500	45000	15.5	12.2	1750	1400	58000	41000	3.7	3.82	36600	25000	2.76	2.48	9.2
	EHD4X60A**	MV20L24**B*	55500	45500	15.5	12.5	1750	1400	58000	41000	3.7	3.82	36600	24800	2.76	2.48	9.2
	EHD4X60A**	OLV154F20A	55000	44500	15	12	1669	1330	58000	41000	3.6	3.72	36800	25000	2.7	2.44	8.7
	EHD4X60A**		55500	44500	14	11.7	1750	1400	58500	42000	3.64	3.6	37400	26000	2.68	2.36	8.7
	EN(A,D,W)4X60*24**	*8MV*1102120**	54500	44500	15	12	1625	1300	58000	41000	3.6	3.74	37200	25200	2.68	2.44	9
	EN(A,D,W)4X60*24**	*8MV*1352422**	55000	44500	15.2	12.2	1625	1300	58000	41000	3.66	3.78	37000	25200	2.72	2.46	9
	EN(A,D,W)4X60*24**	*8MX*1102120**	55000	45000	15	12	1700	1425	58000	41000	3.62	3.76	36800	25200	2.72	2.44	9
	EN(A,D,W)4X60*24**	*8MX*1352420**	55000	44000	15	12	1670	1280	58000	40500	3.6	3.7	36800	24800	2.7	2.42	9
	EN(A,D,W)4X60*24**	*9MA*0602120A**	54000	44000	14.2	11.2	1625	1425	59000	41500	3.58	3.7	37000	25600	2.66	2.4	8.7
	EN(A,D,W)4X60*24**	*9MA*0802120A**	54500	44000	14.5	11.7	1625	1415	58500	41000	3.6	3.72	37200	25400	2.68	2.42	8.7
	EN(A,D,W)4X60*24**	*9MA*1002122A**	54500	44000	14.2	12	1625	1300	58500	41000	3.44	3.62	38000	25800	2.56	2.36	8.8
	EN(A,D,W)4X60*24**	*9MA*1202422A**	54500	44000	14.7	12	1625	1300	58500	41000	3.58	3.72	37400	25400	2.66	2.42	9
	EN(A,D,W)4X60*24**	*9MV*0802120A**	54500	44000	14.7	11.7	1605	1280	57500	41500	3.56	3.66	36800	25000	2.68	2.4	8.8
	EN(A,D,W)4X60*24**	*9MV*1002120A**	54500	44000	14.7	12	1575	1265	57500	41500	3.58	3.66	36600	25000	2.68	2.4	9
	EN(A,D,W)4X60*24**	*9MV*1202422A**	54500	44500	15	12	1625	1305	57500	40500	3.58	3.7	36800	25000	2.68	2.42	9
	EN(A,D,W)4X60*24**	*9MX*0802120A**	54500	44500	14.5	11.7	1645	1300	58000	42000	3.56	3.7	37400	25400	2.64	2.42	8.7
	EN(A,D,W)4X60*24**	*9MX*1002120A**	55000	44500	14.5	11.5	1750	1300	58500	42000	3.6	3.74	37200	25200	2.68	2.42	9
	EN(A,D,W)4X60*24**	*9MX*1202422A**	54500	44500	15	12	1655	1310	58000	40500	3.58	3.7	36800	25000	2.68	2.42	9
	EN(A,D,W)4X60*24**	MV16J22**B*	55000	45000	15.2	12.2	1750	1400	57500	40500	3.72	3.82	36600	25000	2.76	2.48	9
	EN(A,D,W)4X60*24**	MV20L24**B*	55000	45000	15.2	12.2	1750	1400	57500	40500	3.72	3.82	36600	25000	2.76	2.48	9
	EN(A,D,W)4X60*24**	OLV154F20A	55000	44500	15	12	1669	1330	57500	40500	3.62	3.72	36800	25000	2.7	2.42	8.7
	EN(A,D,W)4X60*24**		55000	44000	13.7	11.7	1750	1400	58500	42500	3.58	3.38	37200	27000	2.66	2.24	8.2
	ENH4X60*24**	*8MV*1102120**	54500	44500	15	12	1625	1300	58000	41000	3.6	3.74	37000	25200	2.68	2.44	8.8
	ENH4X60*24**	*8MV*1352422**	55000	44500	15.2	12.2	1625	1300	58000	41000	3.64	3.78	36800	25000	2.72	2.46	9
	ENH4X60*24**	*8MX*1102120**	55000	45000	15	12	1700	1425	58000	41000	3.62	3.76	36800	25200	2.72	2.44	9
	ENH4X60*24**	*8MX*1352420**	55000	44000	15	12	1670	1280	58000	40500	3.6	3.7	36800	24800	2.7	2.42	9
	ENH4X60*24**	*9MA*0602120A**	54000	44000	14.2	11.2	1625	1440	59000	41500	3.56	3.7	36800	25600	2.66	2.42	8.7



Unit Size	Indoor Model	Furnace Model	AHRI STANDARD RATINGS															
			Cooling						Heating									
			Capacity		SEER	EER	ID CFM		High Temp				Low Temp				HSPF	
			High	Low			High	Low	E Capacity		E COP		H Capacity		H COP			
				High	Low	High	Low	High	Low	High	Low	High	Low					
CCH660GKA	ENH4X60*24**	*9MA*0802120A**	54500	44000	14.5	11.7	1625	1430	58500	41000	3.58	3.72	37200	25400	2.66	2.42	8.7	
	ENH4X60*24**	*9MA*1002122A**	54500	44000	14.2	12	1625	1300	58500	41000	3.44	3.62	38000	25800	2.56	2.36	8.8	
	ENH4X60*24**	*9MA*1202422A**	54500	44000	14.7	12	1625	1300	58500	41000	3.58	3.72	37400	25400	2.66	2.42	9	
	ENH4X60*24**	*9MV*0802120A**	54500	44000	14.7	11.7	1605	1290	57500	41500	3.56	3.68	36600	25000	2.68	2.4	8.8	
	ENH4X60*24**	*9MV*1002120A**	54500	44000	14.7	12	1575	1280	57500	41500	3.58	3.68	36400	24800	2.68	2.4	9	
	ENH4X60*24**	*9MV*1202422A**	54500	44500	15	12	1625	1305	57500	40500	3.58	3.7	36800	25000	2.68	2.42	9	
	ENH4X60*24**	*9MX*0802120A**	54500	44500	14.5	11.7	1645	1300	58000	42000	3.56	3.7	37400	25400	2.64	2.42	8.7	
	ENH4X60*24**	*9MX*1002120A**	55000	44500	14.5	11.5	1750	1300	58500	42000	3.6	3.74	37200	25200	2.68	2.42	9	
	ENH4X60*24**	*9MX*1202422A**	54500	44500	15	12	1655	1310	58000	40500	3.58	3.7	36800	25000	2.68	2.42	9	
	ENH4X60*24**	MV16J22**B*		55000	45000	15.2	12.2	1750	1400	57500	40500	3.7	3.82	36600	25000	2.76	2.48	9
	ENH4X60*24**	MV20L24**B*		55000	45000	15.2	12.2	1750	1400	57500	40500	3.7	3.82	36600	24800	2.76	2.48	9
	ENH4X60*24**	OLV154F20A		55000	44500	15	12	1669	1330	57500	40500	3.62	3.72	36800	25000	2.7	2.42	8.7
	ENH4X60*24**			55000	44000	13.7	11.7	1750	1400	58500	41500	3.58	3.56	37200	26000	2.66	2.34	8.7

ENERGY STAR compliance for combinations with all three: SEER 14.50 or higher and EER 12.00 or higher and HSPF 8.2 or higher.

**ACCESSORY USAGE GUIDELINES**

Accessory	REQUIRED FOR LONG LINE APPLICATIONS* (Over 80 ft. / 24.38 m)	REQUIRED FOR SEA COAST APPLICATIONS (within 2 miles/3.22 km)
Accumulator	Yes, Standard	Standard
Compressor Start Assist Capacitor and Relay	Yes	No
Crankcase Heater	Yes, Standard	No
Liquid Line Solenoid Valve	See Long Line Applications Guideline	No
Support Feet	No	Recommended

\* For tubing line sets between 80 and 200 ft. (24.38 and 60.96 m) and/or 20 ft. (6.09 m) vertical differential, refer to Long Line Applications Guideline.

**ACCESSORIES**

Part Number	Description	Used On Model Size
NASA001LS	Liquid Line Solenoid Valve, HP, R-22 or R-410A	ALL
NASA001TD	Time Delay Relay, Indoor Blower	ALL
NASA001SF	Support Feet, 4" (102mm) tall	ALL
NASA00106SS	Snow Stand Kit	ALL
NASA010SC	Hard Start Kit (Capacitor & Relay)	24
NASA011SC	Hard Start Kit (Capacitor & Relay)	36
NASA012SC	Hard Start Kit (Capacitor & Relay)	48
NASA013SC	Hard Start Kit (Capacitor & Relay)	60
<b>WALL CONTROL</b>		
TSTAT0101SC	Observer™ Self Configuring Communicating Wall Control	ALL