

## CONTRACTOR SERIES 1000 WOG 1022C, 1030C, & 1035C SERIES



A contractor ball valve option for maximum 1000 WOG applications. There are two and three piece body options. 1022C & 1030C are available in a CF8M stainless body. 1035C is available in a WCB carbon steel body. Threaded and Socket Welded end connections available. Standard with locking handle.

MATERIAL	FIGURE NUMBER
CF8M	1030C
WCB	1035C

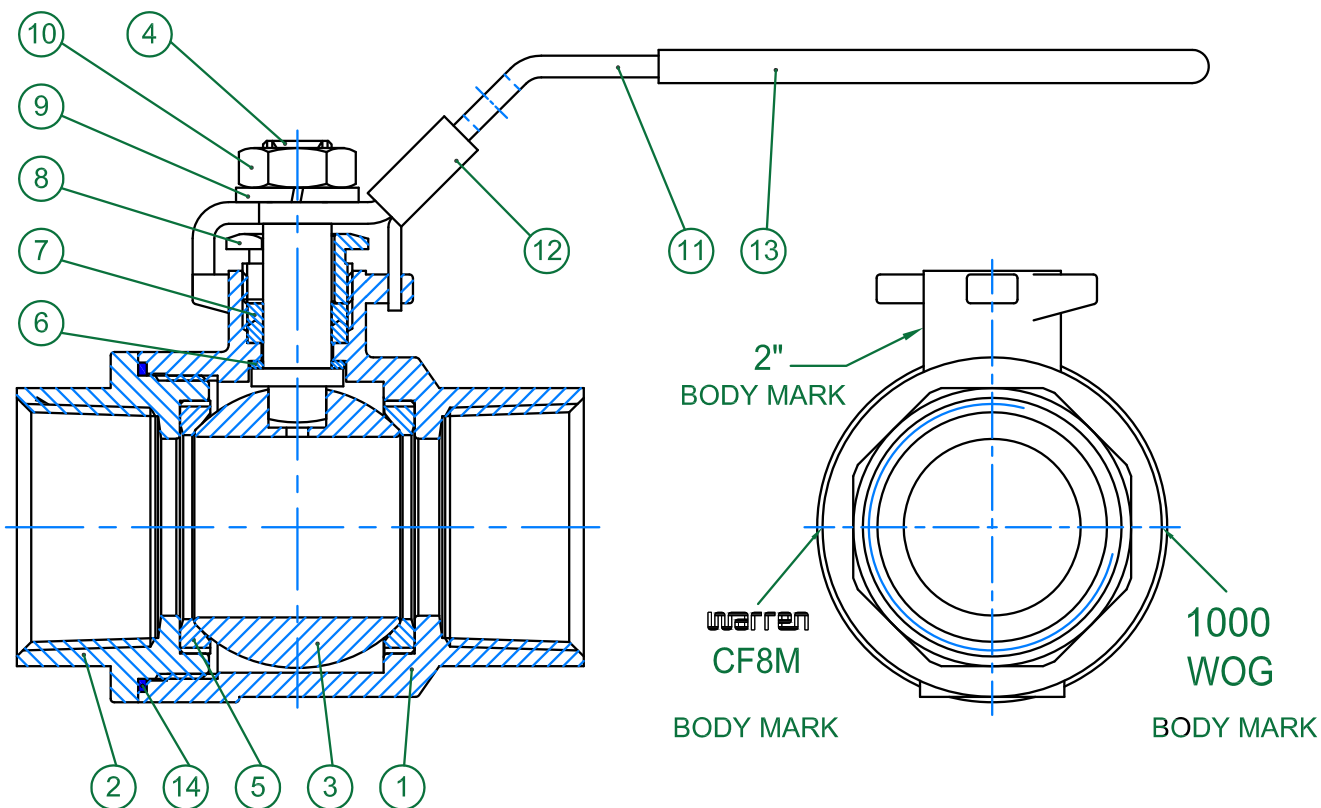
### 1022C SERIES PRODUCT OVERVIEW

SIZE RANGE	1/4" - 2"
MATERIAL GRADES	CF8M
PRESSURE RANGE	1000 WOG
END CONFIGURATIONS	Two-Piece Threaded
PORTS	Full
FEATURES	Locking Device

### 1030C & 1035C SERIES PRODUCT OVERVIEW

SIZE RANGE	1/2" - 2"
MATERIAL GRADES	CF8M (1030C) & WCB (1035C)
PRESSURE RANGE	1000 WOG
END CONFIGURATIONS	Threaded, Socket Weld, & Threaded X Socket Weld
PORTS	Full
FEATURES	Locking Device

FIGURE NUMBER 1022C



**MATERIAL LIST**

NO.	PART NAME	MATERIAL
		1022C
1	BODY	ASTM A351-CF8M
2	CAP	ASTM A351-CF8M
3	BALL	ASTM A351-CF8M
4	STEM	ASTM A276-316
5	SEAT	RPTFE
6	THRUST WASHER	PTFE
7	STEM PACKING	PTFE
8	GLAND NUT	AISI SS304
9	SPRING WASHER	AISI SS304
10	NUT	AISI SS304
11	HANDLE	AISI SS304
12	LOCKING PAD	AISI SS304
13	HANDLE COVER	PLASTIC
14	GASKET	PTFE

FIGURE NUMBER 1022C

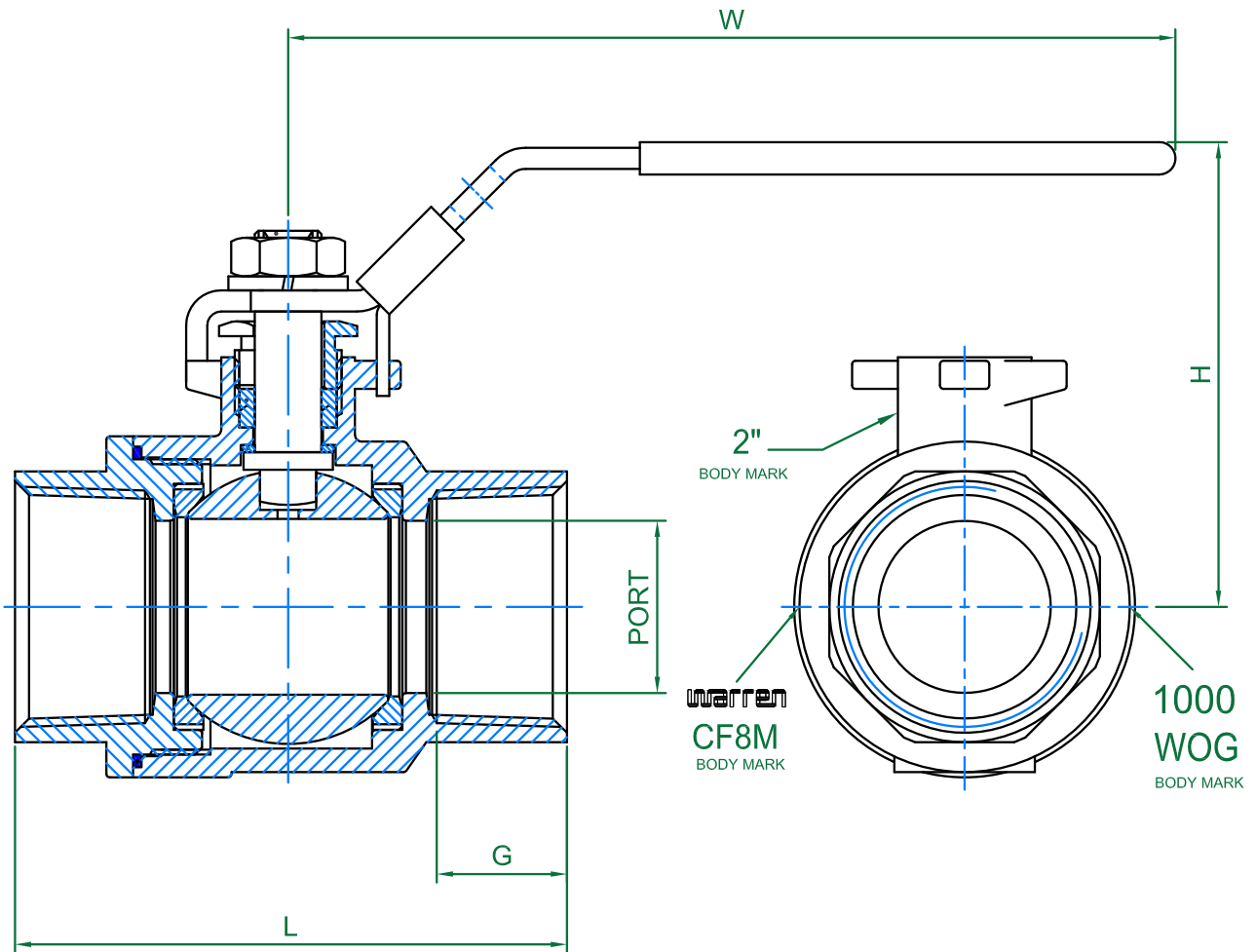
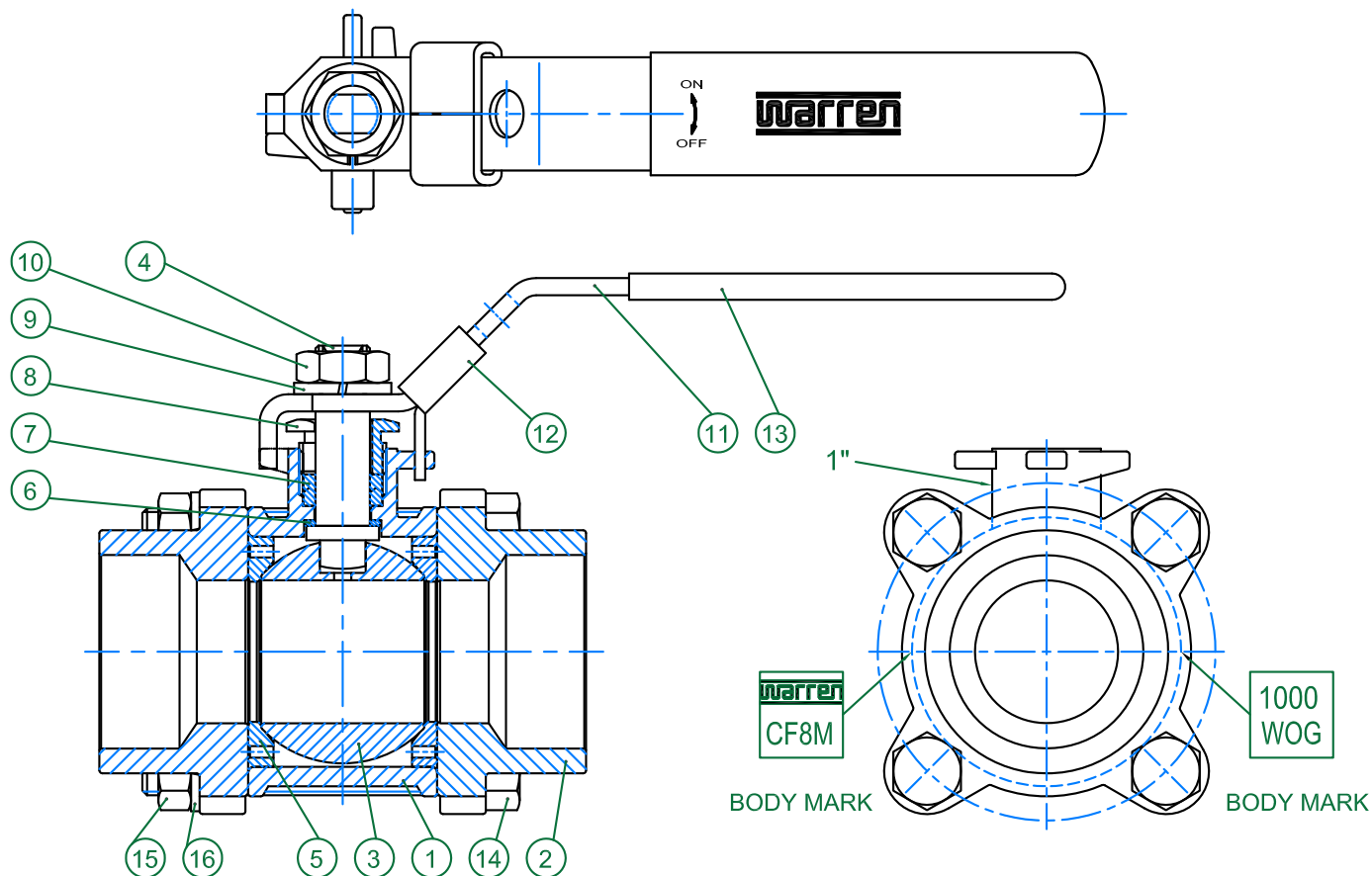


FIGURE NUMBER 1022C

SIZE	PORT	M	G	L	W	H	CV(GPM)	WEIGHT(LBS)
1/4"	0.39	NPT	0.43	1.93	3.23	1.71	22	0.35
3/8"	0.49	NPT	0.43	1.93	3.23	1.71	24	0.35
1/2"	0.63	NPT	0.53	2.31	3.23	1.89	37	0.53
3/4"	0.79	NPT	0.63	2.70	4.02	2.25	68	0.84
1"	0.96	NPT	0.73	3.09	5.00	2.65	109	1.41
1-1/4"	1.26	NPT	0.75	3.67	5.00	2.90	185	2.16
1-1/2"	1.50	NPT	0.79	4.06	6.38	3.33	268	3.48
2"	1.97	NPT	0.95	4.84	6.38	3.64	486	5.86

**FIGURE NUMBERS 1030C & 1035C**



**MATERIALS LIST**

NO.	PART NAME	MATERIAL
		1030C/1035C
1	BODY	ASTM A351-CF8M / A216 - WCB
2	CAP	ASTM A351-CF8M / A216 - WCB
3	BALL	ASTM A351-CF8M
4	STEM	ASTM A276-316
5	SEAT	RPTFE
6	THRUST WASHER	PTFE
7	STEM PACKING	PTFE
8	GLAND NUT	AISI SS304
9	SPRING WASHER (1)	AISI SS304
10	NUT (1)	AISI SS304
11	HANDLE	AISI SS304
12	LOCKING PAD	AISI SS304
13	HANDLE COVER	PLASTIC
14	BOLT	AISI SS304
15	NUT (2)	AISI SS304
16	SPRING WASHER (2)	AISI SS304

FIGURE NUMBERS 1030C & 1035C

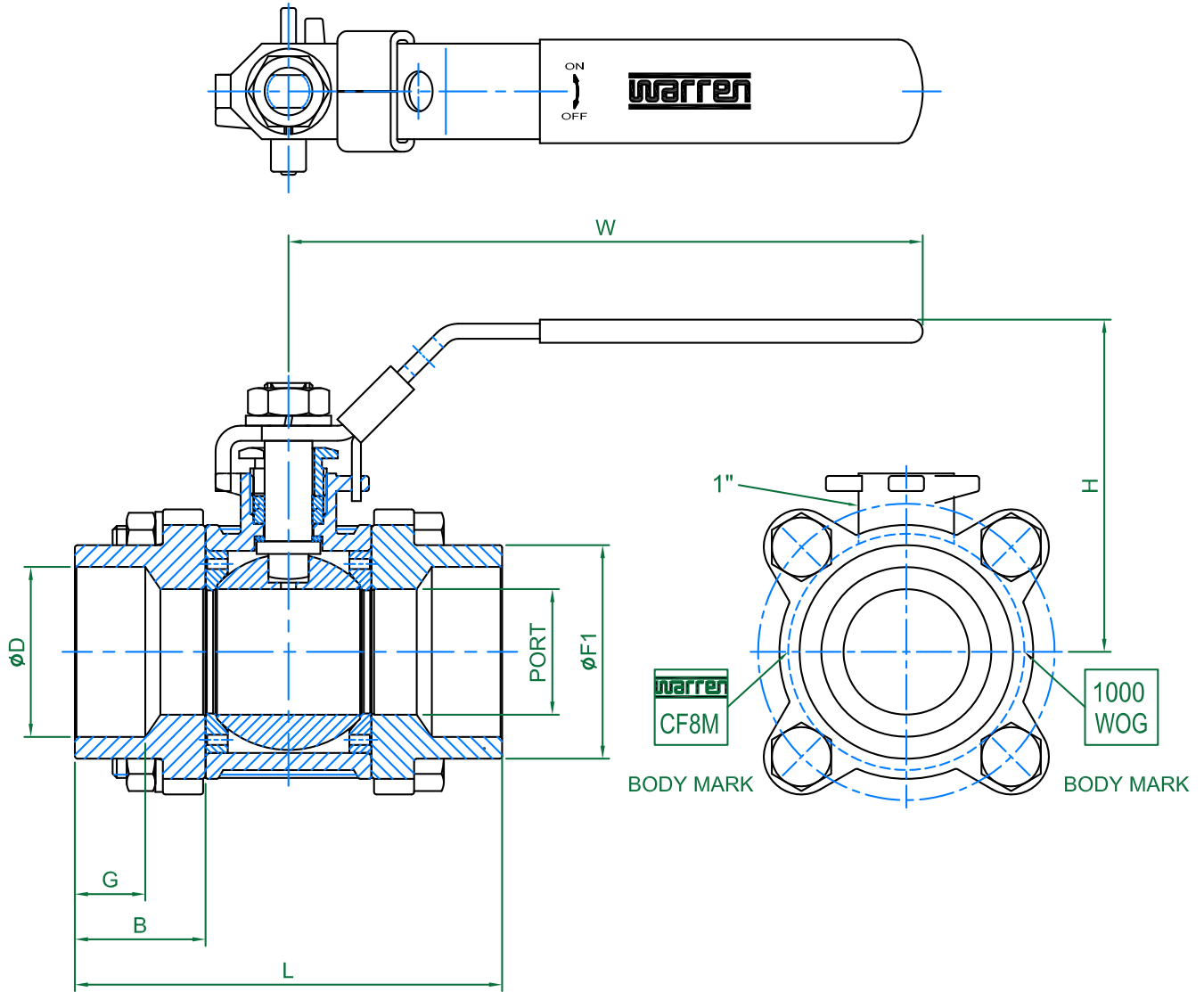


FIGURE NUMBERS 1030C & 1035C

SIZE	PORT	D	F1	B	G	L	W	H	CV(GPM)	WEIGHT(LBS)
1/4"	0.39	0.56	0.94	0.72	0.39	2.17	3.35	1.83	24	0.99
3/8"	0.49	0.69	0.94	0.72	0.39	2.17	3.35	1.83	24	0.99
1/2"	0.63	0.87	1.14	0.83	0.43	2.56	3.35	2.00	37	1.23
3/4"	0.79	1.06	1.38	0.93	0.51	2.94	4.13	2.37	68	1.54
1"	0.96	1.33	1.67	1.02	0.55	3.35	5.12	2.77	109	2.29
1-1/4"	1.26	1.69	2.03	1.15	0.63	3.92	5.12	2.98	185	3.66
1-1/2"	1.50	1.93	2.28	1.18	0.65	4.31	6.50	3.44	268	5.38
2"	1.97	2.40	2.81	1.28	0.73	5.08	6.50	3.76	486	8.27