

DC 457

INSTALLATION

Be sure handle is in full counter-clockwise (retracted) position, then place DEBRIS CAP in riser (pipe, valve box etc) as close to the top as possible without interfering with installation of the lid.

Rotate handle a full 90 degrees clockwise until you feel the cam lock into position.

ADJUSTMENTS

RUBBER SKIRT

By “rotating” and “rolling” your wrist before locking into place, you can achieve the best fit of rubber skirt against wall of the riser.

If skirt wrinkles up or seems too large for the ID, simply trim off a *small* section from the top of the skirt, along “score” mark.

NOTE:

- A) DO NOT TRIM TOO MUCH OF THE SKIRT OR THE CAP COULD FALL INTO THE RISER IF DROPPED. SKIRT SHOULD FIT FIRMLY AGAINST THE WALL OF THE RISER.
- B) BE SURE NOT TO TRIM OFF THE “TABS”.

REMOVAL

Rotate handle 180 degrees counter clockwise and wiggle Debris Cap to loosen it from riser. “Tabs” on the rubber skirt are to assist if the valve-box has “cleats” or other obstacles (figure 2).

LOCKING DEVICE (LD-4)

An optional specially designed locking device can be ordered with the DC457 Debris Cap.

When handle is rotated to full cam engagement, the hole in the handle and locking device will line up to accept a standard short-neck padlock (figure 3) or a standard barrel lock (figure 4).

DC457 is designed to fit standard 6 1/4" - 6 1/4" Slip/Screw type valve-box TOP section, when the top section is adjusted up enough to permit Cap installation in top section.

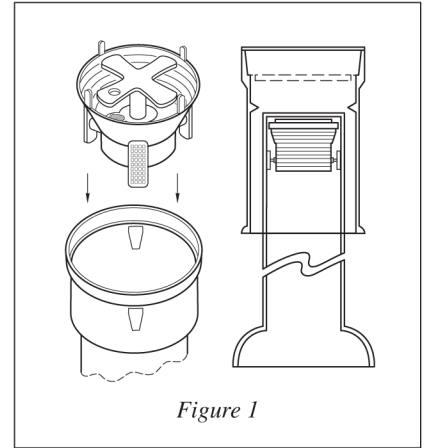


Figure 1

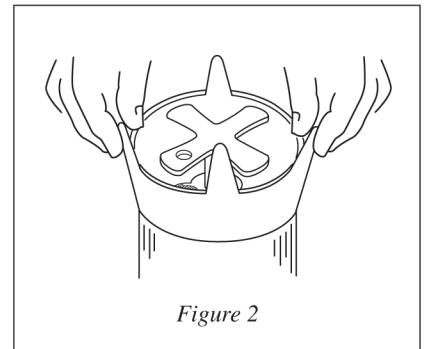


Figure 2

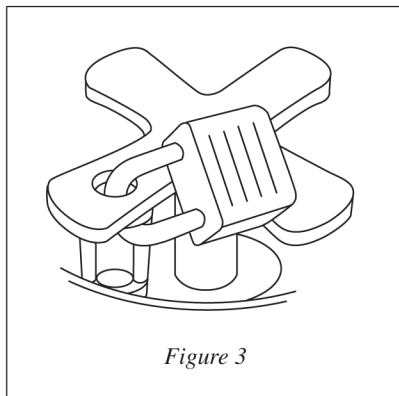


Figure 3

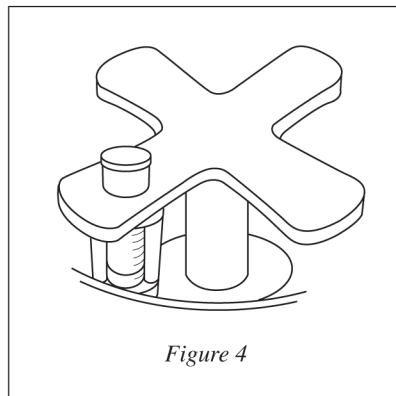


Figure 4