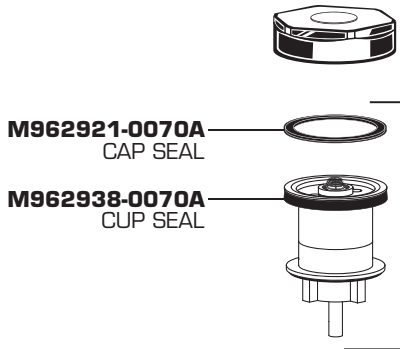


MANUAL FLUSH VALVE

Exposed Flushometer
for Top Spud Toilets

MODEL NUMBERS

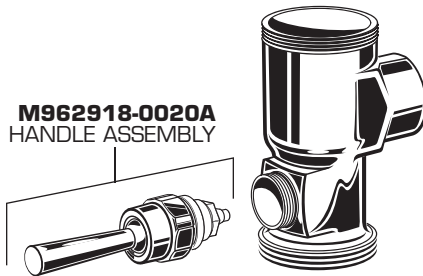
6047 Series
7017 Series



M962921-0070A
CAP SEAL

M962938-0070A
CUP SEAL

M964905K-0071100A (MODEL 6047.111, 7017.111)
M964905A-0071600A (MODEL 6047.161, 7017.161)
M964905B-0071280A (MODEL 6047.121, 7017.121)
PISTON ASSEMBLY



M962918-0020A
HANDLE ASSEMBLY

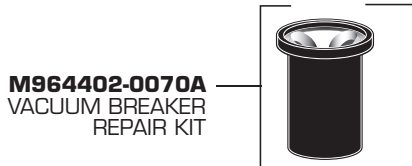


OPTIONAL ADJUSTABLE TAILPIECE
(Purchased Separately)

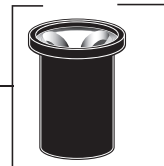
- M962836-0020A** (8-1/4" to 9-1/4" Rough-in)
- M962835-0020A** (7-1/4" to 8-1/4" Rough-in)
- M962834-0020A** (6-1/4" to 7-1/4" Rough-in)
- M962833-0020A** (5-1/4" to 6-1/4" Rough-in)



M962920-0020A
ADJUSTABLE TAILPIECE
(4-1/4" to 5-1/4" Rough-in)

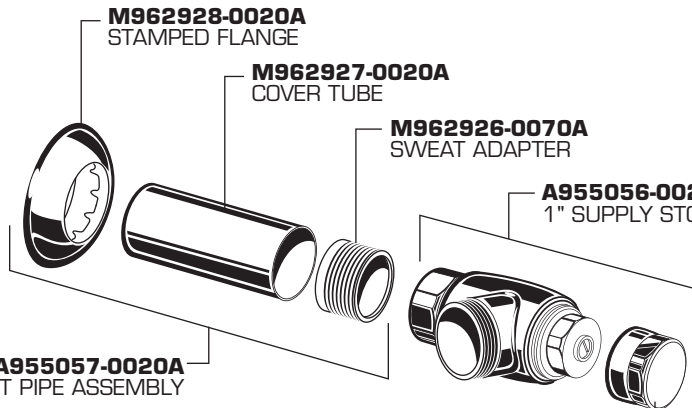


M964402-0070A
VACUUM BREAKER
REPAIR KIT



M964411-0020A
VACUUM BREAKER
ASSEMBLY 11-1/2"
(220mm) ROUGH-IN

M964413-0020A
VACUUM BREAKER
ASSEMBLY 27"
(610mm) ROUGH-IN



M962928-0020A
STAMPED FLANGE

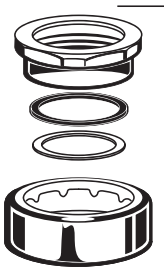
M962927-0020A
COVER TUBE

M962926-0070A
SWEAT ADAPTER

A955056-0020A
1" SUPPLY STOP

A955057-0020A
INLET PIPE ASSEMBLY

M924347-0020A
SUPPLY STOP CAP



M952269-0020A
ESCUTCHEON KIT



HOT LINE FOR HELP
For toll-free information and answers to your questions, call:
1 (800) 442-1902
Weekdays 8:00 a.m. to 6:00 p.m. EST
IN MEXICO 01-800-839-1200
IN CANADA 1-800-387-0369 (TORONTO 1-905-306-1093)
Weekdays 8:00 a.m. to 7:00 p.m. EST

Product names listed herein are trademarks of AS America, Inc.