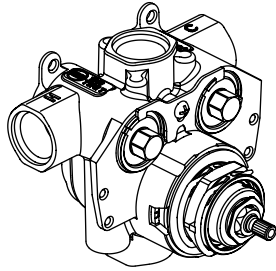


Installation Guide

Thermostatic Mixing Valves

P29511, P29512



Français, page "Français-1"
Español, página "Español-1"

KALLISTA.

1170591-2-A

IMPORTANT INSTRUCTIONS

READ AND SAVE FOR THE CONSUMER



WARNING: Risk of scalding or other severe injury.



CAUTION: Risk of scalding hazard. This device has been calibrated at the factory to ensure a safe maximum water temperature. Any variance in settings or water inlet conditions from those used during factory calibration may raise the discharge temperature above the safe limit, and may present a scalding hazard.

- Before completing installation, the installer must set the maximum water temperature setting of this valve to minimize the risks associated with scalding hazards according to ASTM F 444.

The installer is responsible for adjusting the maximum water temperature of this valve according to instructions.

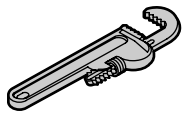
This valve meets or exceeds ANSI A112.18.1 and ASSE 1016.

If you do not understand any of the temperature adjustment instructions in this document, in the United States please contact our Customer Care Center at **1-888-4-KALLISTA**. Outside the U.S., please contact your distributor.

IMPORTANT NOTICE: Please fill in the blanks on the valve label. Retain this guide for future reference.

- The valve is calibrated to 104°F (40°C) at the first stop position, and the maximum temperature limit stop is positioned so the outlet water temperature does not exceed 120°F (49°C).
- Factory calibrated inlet conditions are:
Hot and cold water pressure = 43-1/2 psi (300 kPa)
Hot water supply temperature = 149°F (65°C)
Cold water supply temperature = 59°F (15°C)
- If inlet conditions differ from those used during factory calibration, it may be necessary to re-calibrate the valve after installation. **The installer must check the mixed flow temperature after installation, and adjust the valve as needed according to the instructions.**

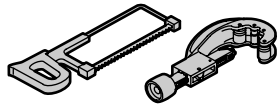
Tools



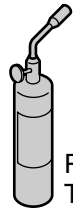
Pipe Wrench



Adjustable Wrench



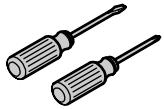
Hacksaw or Tubing Cutter



Propane Torch



Solder



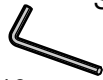
Assorted Screwdrivers



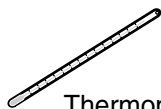
Strap Wrench



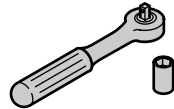
Thread Sealant



10 mm Hex Wrench



Thermometer



Wrench and 1/2" (13 mm) Hex Socket

Before You Begin



WARNING: Risk of scalding or other severe injury. Before completing installation, the installer must set the maximum water temperature setting of this valve to minimize the risks associated with scalding hazards according to ASTM F 444.



CAUTION: Risk of personal injury. If the water temperature is set too high, scalding will occur. The water temperature should never be set above 120°F (49°C).



CAUTION: Risk of scalding. This device has been calibrated at the factory to ensure a safe maximum water temperature. Any variance in settings or water inlet conditions from those used during factory calibration may raise the discharge temperature above the safe limit, and may present a scalding hazard. Responsibility for installation and adjustment of this device in accordance with these instructions lies with the installer.

NOTICE: Risk of product damage. This valve contains plastic and rubber components. Do not sweat or braze directly to the valve body. Do not apply excessive heat to the valve body when you make solder connections. Do not apply flux or acids directly to the valve, as damage to the seals, plastic components, and trim finish may result.

Before You Begin (cont.)

NOTICE: Risk of product damage. Do not apply petroleum-based lubricants to the valve components, as damage may result.

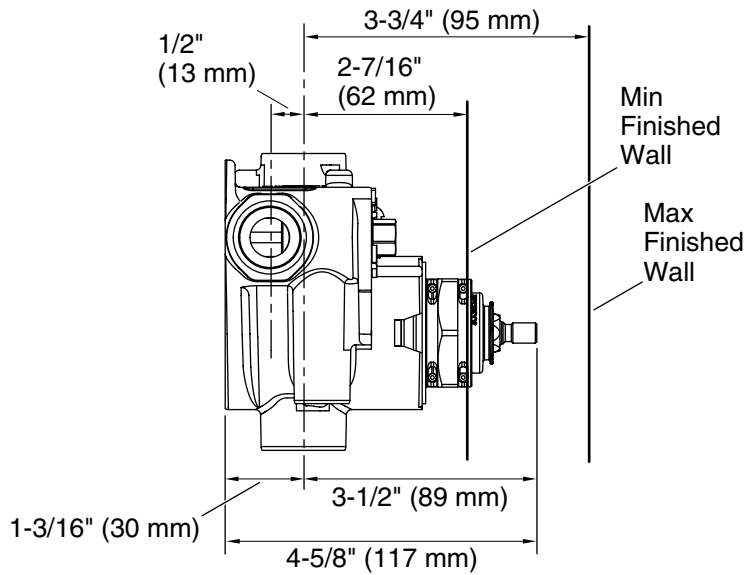
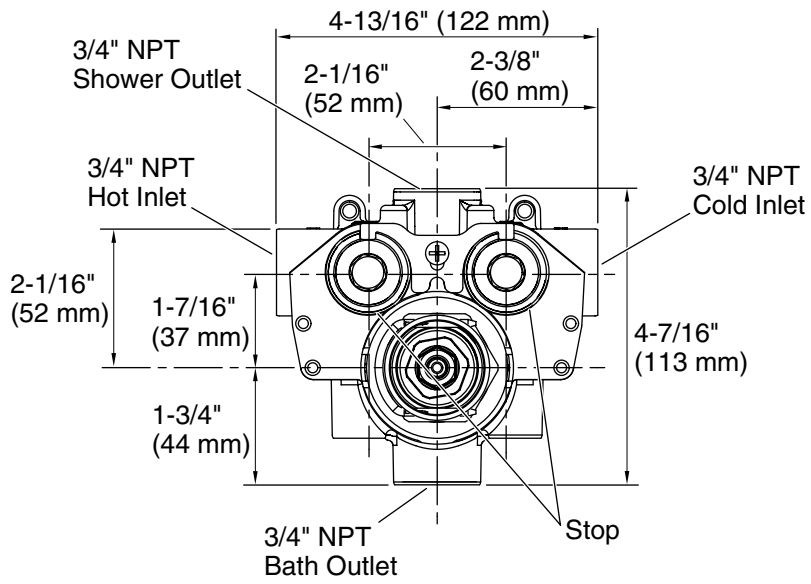
NOTICE: Risk of product damage. Inlet and outlet threaded joint connections should be made with plumbers PTFE tape or liquid sealant. Oil-based, non-setting compounds should not be used.

NOTICE: Do not force the handle in any direction. Forcing the handle will damage the valve.

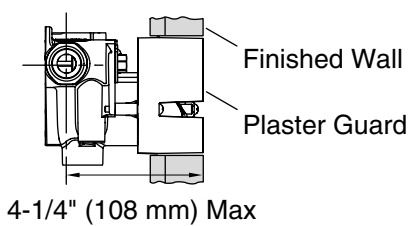
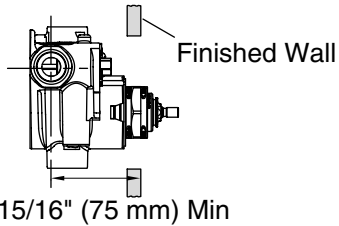
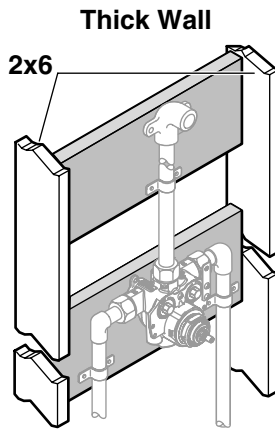
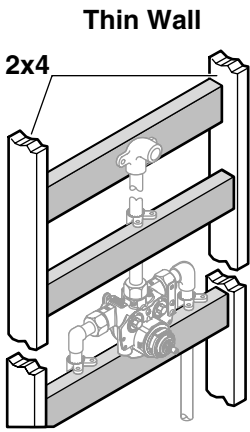
- Observe all local plumbing and building codes.
- Shut off the main water supply.
- Inspect the supply piping for damage. Replace as necessary.
- The bottom port of the thermostatic mixing valve is intended for use as a bath filler only. If a bath spout is not used with this product, cap the bottom port.
- The P29511 and P29512 thermostatic mixing valves do not contain an integral volume control/shut-off valve. You must install a separate volume control/shut-off valve (P29527 or P29528) downstream of any used valve outlet.
- The thermostatic mixing valves do not have an integral aspirator. For installations that use a bath diverter spout, you must install a twin ell with integral aspirator between the valve and the bath spout. If these thermostatic mixing valves are installed without an aspirator, it will cause water to flow from the shower and bath spout at the same time.
- Determine the correct drain size and capacity for your installation. If two thermostatic mixing valves are used together, water volumes between 18 and 30 gpm (60 and 114 lpm) or more are possible, depending upon the water supply pressure.
- Determine the correct water heater size and capacity for your installation. A typical shower installation uses an approximate mix of 75% hot water and 25% cold. A custom shower application using three 2-1/2 gpm (9.5 lpm) showerheads can use about 45 gallons (170 liters) of hot water in 8 minutes. Choose a water heater large enough for your installation.
- The valve is calibrated to 104°F (40°C) at the first stop position. The maximum temperature limit stop is positioned so the outlet water temperature does not exceed 120°F (49°C).

Before You Begin (cont.)

- The factory calibrated pressure for hot and cold water inlets is 43-1/2 psi (3 kg/cm squared). The factory calibrated hot water supply temperature is 149°F (65°C) and the cold water supply temperature is 59°F (15°C).
- If the inlet conditions differ from those used during factory calibration, it may be necessary to re-calibrate the valve after installation. **The installer must check the mixed flow temperature after installation and adjust the valve as needed according to the instructions.**
- This valve complies with ASME A112.18.1, ASSE 1016, and CSA B125. The valve is listed with ASSE, CSA, and IAPMO/UPC.
- If possible, flush all piping thoroughly before installing the valves to prevent early clogging of filter screens.



P29512 - 3/4" Valve Roughing-In



Install Support Framing

IMPORTANT! Make sure the valve is mounted at the correct depth so it will be properly positioned when the finished wall is installed.

NOTE: Shower only configuration is shown. Adjust the support as needed for other configurations.

NOTE: Install a backer board behind the valve for installations on 2x6 studding only.

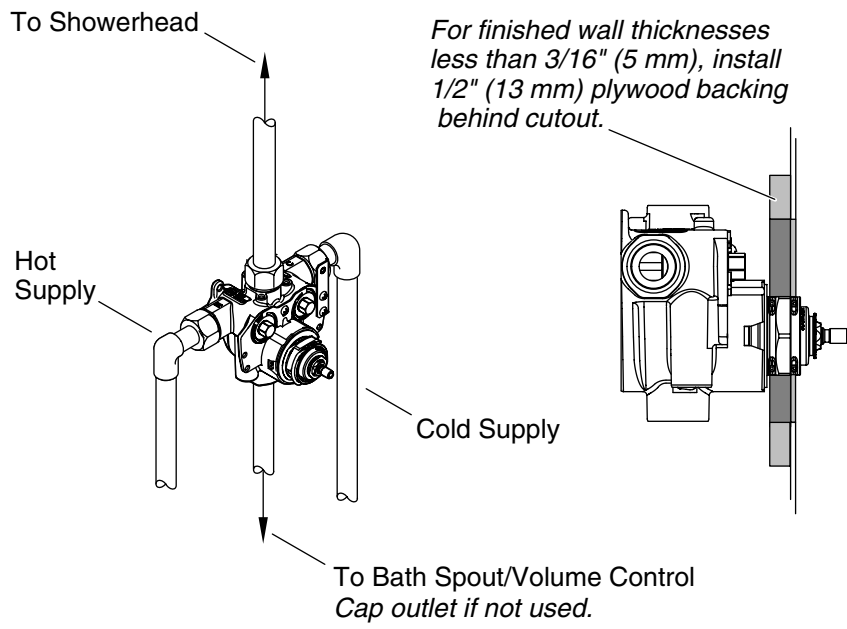
NOTE: A backer board may not fit behind the valve for installations on 2x4 studding. Support the pipes directly above and/or below the valve. This will also provide support for the valve.

NOTE: When installing the P29511 valve, use 1/2" nominal copper tubing and fittings throughout this installation. Smaller diameter piping upstream or downstream of the valve will reduce performance of the valve.

Install Support Framing (cont.)

NOTE: When installing the P29512 valve, use 3/4" nominal copper tubing and fittings throughout this installation. Smaller diameter piping upstream or downstream of the valve will reduce performance of the valve.

- Determine the desired location for the valve according to the roughing-in information, and construct suitable stud and support framing for your configuration and valve.
- If the finished wall is drywall, 1/2" (13 mm) drywall or thicker should be used or the finished wall will not be strong enough.
- Determine the finished wall thickness. The finished wall should not extend beyond the outside edge of the plaster guard. The valve can be mounted with the plaster guard flush with the finished wall for maximum wall thickness. If the plaster guard is recessed, the finished wall is too thick. Refer to the diagram above.
- Install water hammer arrestors in the hot and cold water supply lines.
- Determine the desired location for the valve according to the roughing-in information, and construct suitable stud and support framing.



Install the Valve

NOTICE: Risk of product damage. This valve contains plastic and rubber components. Do not sweat or braze directly to the valve body. Do not apply excessive heat to the valve body when you make solder connections. Do not apply flux or acids directly to the valve, as damage to the seals, plastic components, and trim finish may result.

NOTICE: Risk of product damage. Do not apply petroleum-based lubricants to the valve components, as damage may result.

NOTICE: Risk of product damage. Inlet and outlet threaded joint connections should be made with plumbers PTFE tape or liquid sealant. Oil-based, non-setting compounds should not be used.

NOTE: A plaster guard is attached to the face of the mixing valve. Do not remove it until instructed.

- Flush the hot and cold water supply lines to remove any debris.
- Use thread sealant and connect the hot and cold water supply lines to the valve inlet ports. Ensure that the corresponding water supply lines are connected to the correct inlet ports.

Install the Valve (cont.)

NOTE: If the existing hot and cold plumbing makes this configuration inconvenient or if it is advantageous to reverse the hot and cold ports (such as back-to-back installations), see the "Reverse the Inlet Supplies" section.

- Connect the water outlet lines to the valve ports. Plug any unused outlet port.

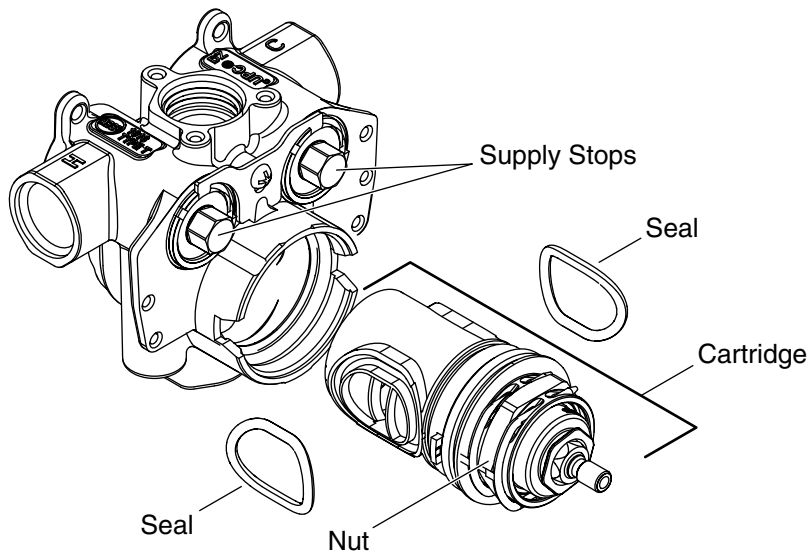
IMPORTANT! Secure the piping to the framing.

NOTE: When using the plaster guard to trace the cut-out, the tick marks located outside of the guard will assist you in identifying the spline centers.

- Use the plaster guard to determine the depth of the valve in the wall, and to trace the cut-out line in the wall material.

NOTE: The finished wall must be within the MIN-MAX depth shown on trim adapters 1, 2, and 3 of the plaster guard.

- Turn on the water supply lines to the valves.
- Run the water through the mixing valve, all showers, and the spout.
- Remove the plaster guard to access and inspect the valve.



Remove cartridge and rotate 180°.

Reverse the Inlet Supplies

The inlet connections are indicated on the inlet ports of the thermostatic valve assembly. Left is HOT and right is COLD. If this configuration is not suitable for your installation, the cartridge may be rotated 180° to reverse the hot and cold inlet ports.

NOTE: Refer to the Homeowners Guide for integral supply stop operation.

NOTE: DO NOT pull the removal clip from the cartridge assembly at any time during this procedure. The retaining clip helps hold the temperature limit stop and detent components in place and reduces or eliminates the need for temperature adjustments.

With the valve already installed and pressurized:

- Turn both integral supply stops 90° counterclockwise until they contact the stop bracket.
- Turn the volume control valve stem (not shown) fully clockwise to release the pressure.
- Slowly loosen the head nut, turning it counterclockwise. This will begin to draw the cartridge out of the valve body.

Reverse the Inlet Supplies (cont.)

NOTE: Some water may be released. Use a bucket and towels to contain the water.

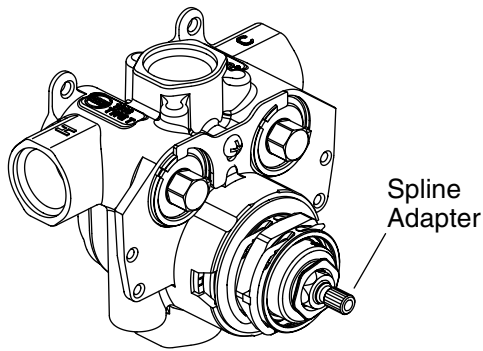
- Pull the head nut with the cartridge out of the valve body.

NOTE: Two seals may fall out when the cartridge is removed. Set the seals aside.

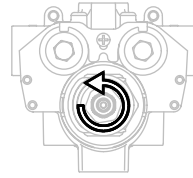
- Rotate the cartridge 180°.
- Verify the cold cartridge inlet is on the left when the valve stem adapter is facing you.

NOTE: The hot and cold cartridge inlets are identified on the top and sides of the cartridge tabs. The tabs are labeled "H" and "C" to identify hot and cold.

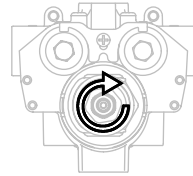
- **TIP:** Rotating the cartridge back and forth or installing with a push-pull motion will reduce the possibility of pinching the side seals.
- Reinstall the seals onto each side of the cartridge.
- Carefully push the cartridge back into the valve body. Make sure both cartridge tabs are properly seated inside the cartridge slots of the valve body.
- Hand tighten the head nut onto the valve body. **Do not overtighten.**
- Return the integral supply stops back to their original position.
- Make note of reversed inlet supplies on valve for future servicing.



Increase Temperature



Decrease Temperature



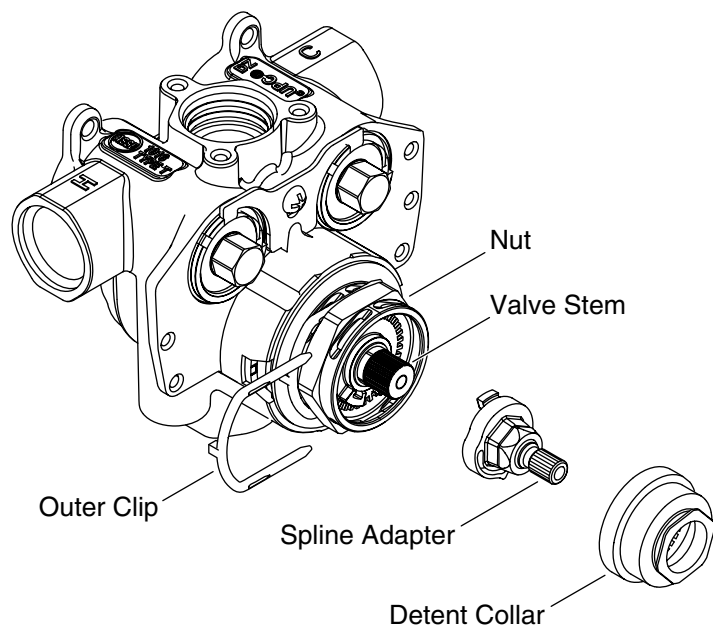
Check the Temperature Setting

NOTE: The thermostatic valve cartridge is calibrated at the factory for a shower temperature of approximately 104°F (40°C) to 105°F (41°C) and a maximum hot temperature of 120°F (49°C).

- Turn the water on.
- Attach a trim handle or plaster guard onto the valve spline adapter.
- Turn the valve spline adapter fully counterclockwise so the trim handle or plaster guard can no longer move. The valve spline adapter is now in the full hot position.
- Allow the water to run for several minutes to stabilize the water supply temperatures.
- Position a thermometer in the water stream to check the temperature of the hot water.
- If the water temperature exceeds 120°F (49°C) or is less than desired, proceed to the "Adjust the Hot Temperature Limit" section.
- Turn the trim handle or plaster guard clockwise until you hear a click. Do not turn any further. This is the shower temperature position.
- Remove the trim handle or plaster guard from the valve spline adapter.
- Position a thermometer in the water stream to check the shower temperature.

Check the Temperature Setting (cont.)

- If the water temperature is less than 104°F (40°C) to 105°F (41°C) or is more than desired, proceed to the "Adjust the Shower Temperature" section.
- If both settings are correct, fill out the "Notice to Homeowners" section of this Homeowners Guide.

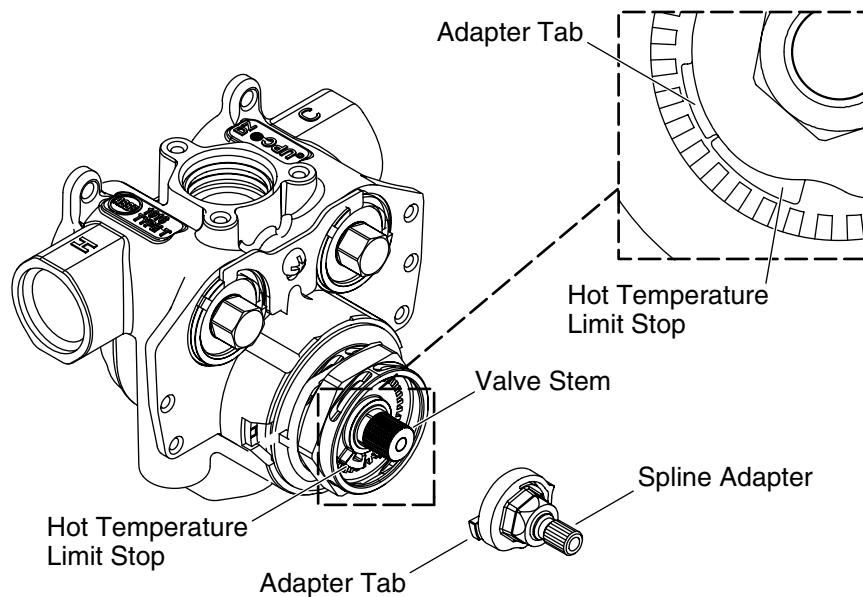


Adjust the Hot Temperature Limit

- Remove the outer clip from the head nut.
- Remove the detent collar.
- Remove the spline adapter.

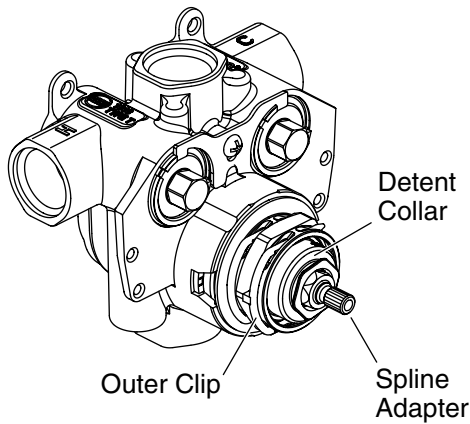
NOTE: Keep the detent collar off while making adjustments.

- Turn the valve stem fully counterclockwise.
- Using the volume control valve (not shown), turn on the water.
- Allow the water to flow for several minutes until the water temperature stabilizes.

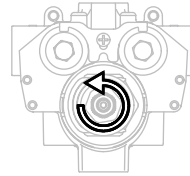


Adjust the Hot Temperature Limit (cont.)

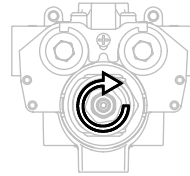
- Using a thermometer, check the temperature of the water.
- Turn the valve stem clockwise until the water temperature reaches 120°F (49°C).
- Reinstall the spline adapter with the adapter tab positioned flush with the hot temperature limit stop on the cartridge.
- Using the volume control valve (not shown), turn off the water.



Increase Temperature



Decrease Temperature



Adjust the Shower Temperature

- **If the detent collar is installed:** Remove the outer clip and disengage the detent collar from the teeth of the cartridge. Do not remove the collar; allow it to hang from the cartridge.
- **If the detent collar is not installed:** Loosely position the detent collar over the cartridge, ensuring the collar does not engage the cartridge teeth.
- Place the trim handle (not shown) or plaster guard (not shown) onto the valve spline adapter.
- Turn the valve spline adapter fully counterclockwise so the trim handle or plaster guard can no longer move. The valve spline adapter is now in the full hot position.
- Remove the trim handle or plaster guard from the valve spline adapter.
- Using the volume control valve (not shown), turn on the water.
- Allow the water to flow for several minutes until the water temperature stabilizes.
- Hold a thermometer in the water stream to check the water temperature.
- Once the water the temperature reaches the set hot temperature limit (section "Adjust the Hot Temperature Limit") begin slowly rotating the the detent collar and spline adapter clockwise.

Adjust the Shower Temperature (cont.)

NOTE: While rotating the detent collar, small in-and-out adjustments will be required to ensure the collar does not engage the cartridge teeth. Use the detent collar to rotate the spline adapter.

- While rotating the collar and spline adapter, monitor the water outlet temperature.
- When the temperature reaches 104-105°F (40-40.5°C), push the detent collar in until it engages the teeth of the cartridge.
- With the clip tab positioned toward the valve, reinstall the clip to the head nut.
- Using the volume control valve (not shown), turn off the water.

Troubleshooting

Symptoms	Probable Cause/Recommended Action
1. Only hot or cold water from the water outlet.	A. Inlet supplies are reversed. See "Reverse the Inlet Supplies" section. B. Check filter screens for blockage. Clear if necessary.
2. Fluctuating or reduced flow rate.	A. External condition variation such as reduced pressure. B. Check filter screens for blockage. Clear if necessary. C. Make sure that the minimum flow rate is sufficient for supply conditions. D. Make sure that dynamic inlet pressures are nominally balanced and sufficient. E. Make sure that inlet temperature differentials are sufficient. F. Service stops are not fully opened. Rotate both service stops clockwise until fully open. G. Check thermostatic performance; replace the thermostatic cartridge, if necessary.
3. No flow from shower control water outlet.	A. Filter screens are blocked. Clear filter screens.

Troubleshooting (cont.)	
Symptoms	Probable Cause/Recommended Action
	<p>B. Hot or cold supply failure. Replace the supply valve.</p> <p>C. Flow control cartridge not working. Check and replace if necessary.</p> <p>D. Service stops are shut off. Rotate both service stops clockwise until fully open.</p>
4. Blend temperature drift.	<p>A. Indicates operating conditions have changed. No action is needed.</p> <p>B. Refer to symptom 2.</p> <p>C. Hot supply temperature fluctuation.</p> <p>D. Supply pressure fluctuation.</p>
5. Hot water in cold supply or cold water in hot supply.	<p>A. Indicates crossflow. Replace check valve.</p>
6. Maximum blend temperature setting too hot or too cold.	<p>A. Indicates incorrect maximum temperature setting; refer to the "Adjust the Hot Temperature Limit" section.</p> <p>B. Refer to symptom 4.</p> <p>C. Refer to symptom 5.</p>
7. Water leaking from the valve body.	<p>A. Seal(s) worn or damaged. Obtain service kit and replace seal(s).</p> <p>B. If leaking from around the temperature spindle, replace the thermostatic cartridge.</p>
8. Flow knob or temperature knob is stiff to operate.	<p>A. Impaired free movement of internal components. Replace the appropriate cartridge.</p> <p>B. Supply pressures are too high. Fit pressure reducing valve.</p>

Guide d'installation

Mitigeurs thermostatiques

INSTRUCTIONS IMPORTANTES

LIRE ET CONVERSER POUR LE CONSOMMATEUR



AVERTISSEMENT: Risque de brûlures ou autres blessures graves.



ATTENTION: Risque de brûlures. Ce dispositif a été calibré en usine pour assurer une température maximale sécurisée. Toute variation des réglages ou conditions d'alimentation d'eau de celles de calibration en usine pourrait augmenter la température de décharge au-delà de la limite sécurisée et causer des brûlures.

- Avant de commencer l'installation, l'installateur doit régler la température maximale de l'eau de cette valve pour réduire au minimum les risques associés aux dangers d'ébouillantage, conformément à la norme ASTM F 444.

L'installateur est responsable du réglage de la température maximale de l'eau fournie par cette valve selon les instructions.

Cette valve satisfait ou dépasse les exigences des normes ANSI A112.18.1 et ASSE 1016.

S'il ne vous est pas possible de comprendre les instructions de réglage de température dans ce document, veuillez contacter notre département du service clientèle aux États-Unis **1-888-4-KALLISTA**. Hors des États-Unis, veuillez contacter votre distributeur.

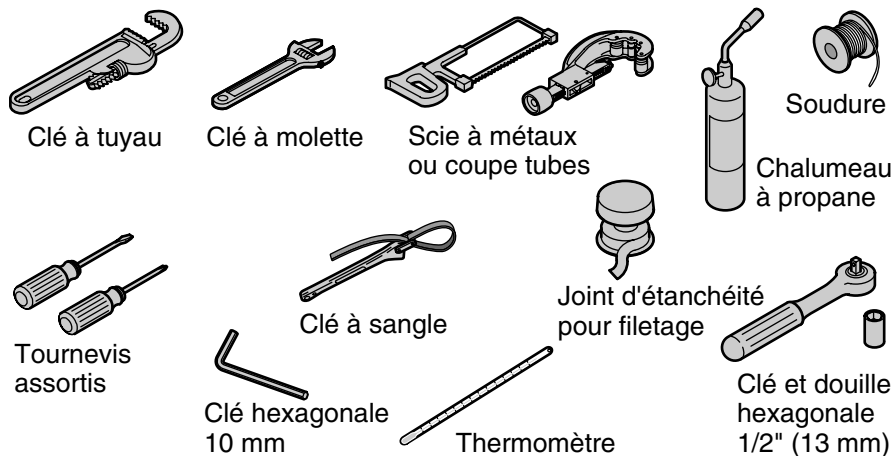
AVIS IMPORTANT: Prière de remplir les espaces vides sur l'étiquette de la valve. Conserver ce guide pour référence future.

- Le robinet est calibré à 104°F (40°C) à la première position d'arrêt et la butée de température maximale est positionnée de manière à ce que la température ne puisse excéder 120°F (49°C).

INSTRUCTIONS IMPORTANTES (cont.)

- Les conditions d'entrées calibrées en usine sont:
Pression d'eau chaude et d'eau froide = 43-1/2 psi (300 kPa)
Température d'alimentation de l'eau chaude = 149°F (65°C)
Température d'alimentation de l'eau froide = 59°F (15°C)
- Si les conditions d'entrée diffèrent de celles de calibration en usine, il peut être nécessaire de recalibrer la valve après l'installation. **L'installateur doit vérifier le débit mélangé de température d'eau après installation, puis régler la valve selon les instructions.**

Outils



Avant de commencer



AVERTISSEMENT: Risque de brûlures ou autres blessures graves. Avant de commencer l'installation, l'installateur doit régler la température maximale de l'eau de cette valve pour réduire au minimum les risques associés aux dangers d'ébullition, conformément à la norme ASTM F 444.



ATTENTION: Risque de blessures corporelles. Si la température d'eau est trop haute, des risques de brûlures peuvent avoir lieu. La température de l'eau ne devrait jamais être supérieure à 120°F (49°C).



ATTENTION: Risque de brûlures. Ce dispositif a été calibré en usine pour assurer une température maximale sécurisée. Toute variation des réglages ou conditions d'alimentation

Avant de commencer (cont.)

d'eau de celles de calibration en usine pourrait augmenter la température de décharge au-delà de la limite sécurisée et causer des brûlures. La responsabilité de l'installation et du réglage de ce dispositif conformément à ces instructions incombent à l'installateur.

AVIS: Risque d'endommagement du produit. Ce produit contient des composants en plastique et en caoutchouc. Ne pas appliquer de convection ou brasage direct sur le corps de valve. Ne pas appliquer de chaleur excessive au corps de valve pendant le soudage des connexions. Ne pas appliquer de flux ou d'acide directement sur le robinet pour éviter d'endommager les joints, composants en plastique ou la finition de la garniture.

AVIS: Risque d'endommagement du produit. Ne pas appliquer de lubrifiants à base de pétrole sur les composants de la valve, au risque de l'endommager.

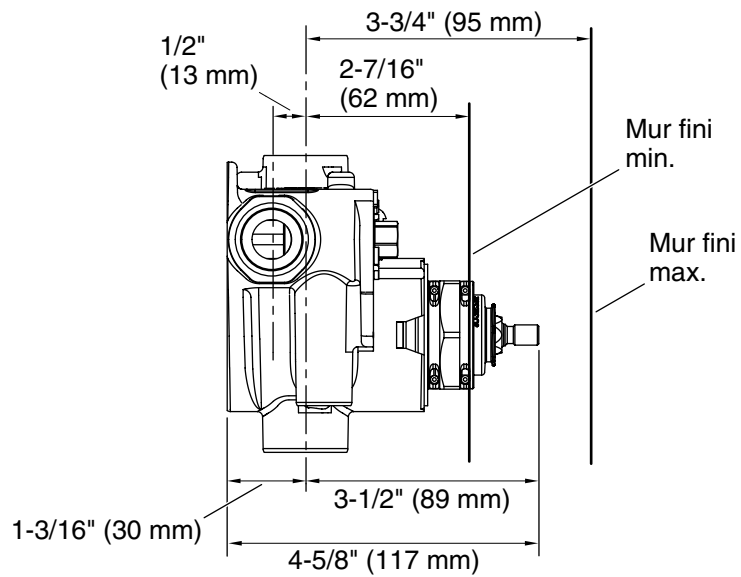
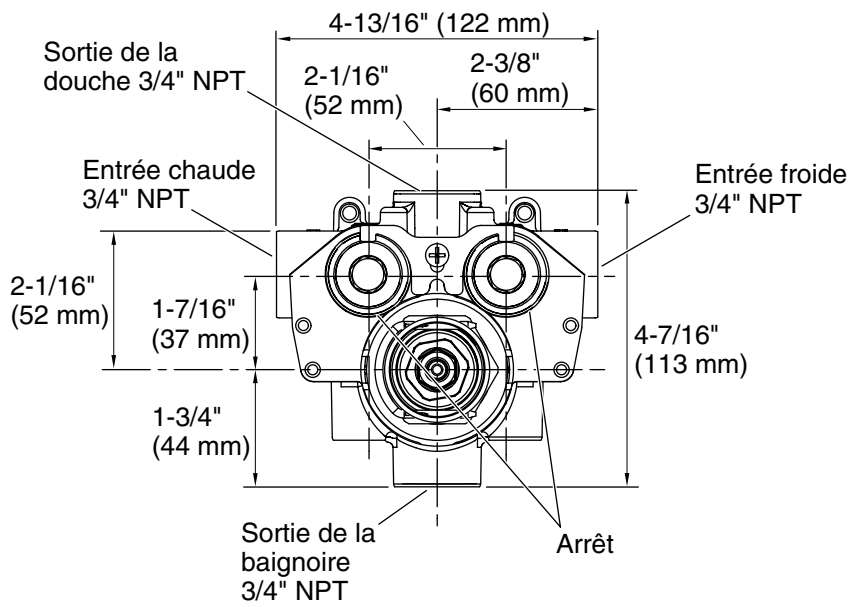
AVIS: Risque d'endommagement du produit. Les connexions d'entrée et sortie filetées devraient être faites avec du ruban d'étanchéité PTFE ou du liquide. Les matériaux de scellage à base d'huile ne devraient pas être utilisés.

AVIS: Ne forcer la poignée dans aucune direction. Forcer la poignée endommagera la valve.

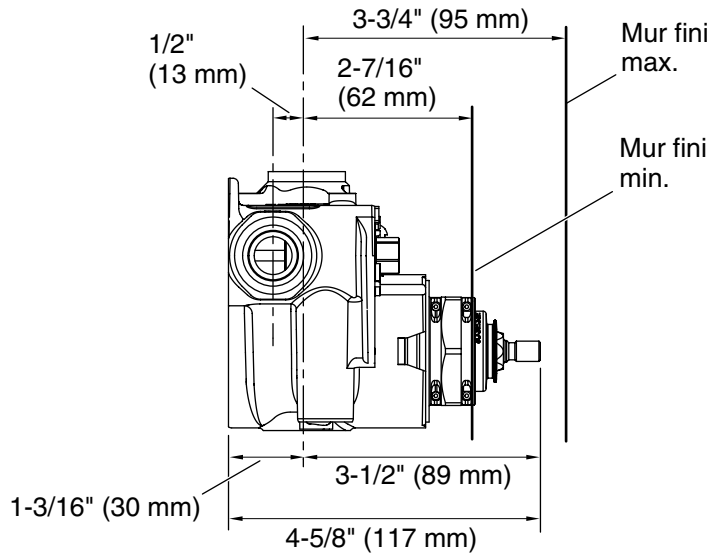
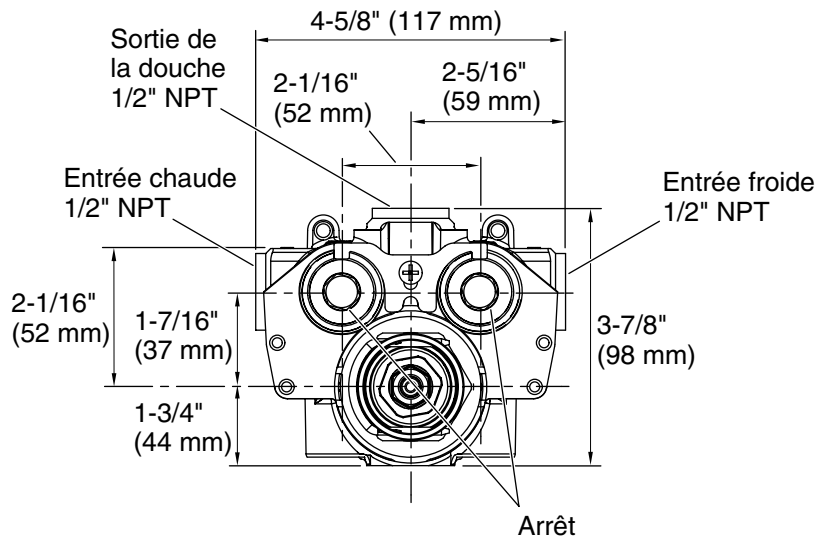
- Respecter tous les codes de plomberie et de bâtiment locaux.
- Couper l'alimentation d'eau principale.
- Inspecter la tuyauterie d'alimentation de tout endommagement. Remplacer si nécessaire.
- Le port inférieur du mitigeur thermostatique est conçu pour une utilisation en tant que remplisseur de baignoire uniquement. Si un bec de baignoire n'est pas utilisé avec ce produit, boucher le port inférieur.
- Les mitigeurs thermostatiques P29511 et P29512 ne contiennent pas de contrôle de volume/de robinet de sectionnement intégrés. Un contrôle de volume séparé/un robinet de sectionnement distincts (P29527 ou P29528) devront être installés en aval de toute sortie de valve utilisée.

Avant de commencer (cont.)

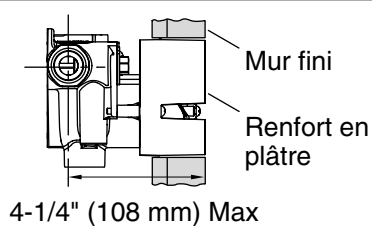
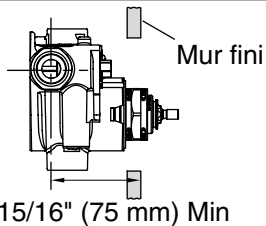
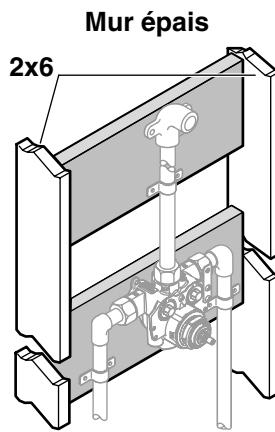
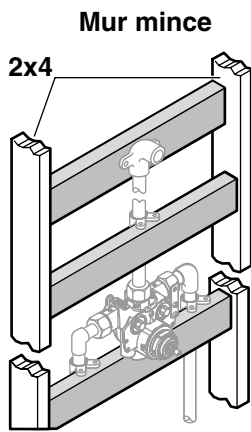
- Les mitigeurs thermostatiques n'ont pas d'aérateur intégré. Pour des installations à bec inverseur de baignoire, il faut installer un coude jumelé avec dispositif d'aspiration intégré entre le robinet et le bec de la baignoire. Si ces mitigeurs thermostatiques sont installés sans aérateur, l'eau circulera en provenance de la douche et du bec de baignoire en même temps.
- Déterminer la bonne taille et la bonne capacité du drain pour votre installation. Si deux mitigeurs thermostatiques sont utilisés en même temps, des volumes de débit d'eau entre 18 et 30 gallons par minute (60 à 114 Lpm) ou plus sont possibles, selon la pression d'alimentation d'eau.
- Déterminer le bon volume et la bonne puissance du chauffe-eau pour votre installation. Dans une installation typique de douche, on utilise un mélange d'environ 75% d'eau chaude et 25% d'eau froide. Une application de douche personnalisée, à trois pommes de douche de 2-1/2 gpm (9,5 Lpm) peut consommer environ 45 gallons (170 litres) d'eau chaude en 8 minutes. Choisir un chauffe-eau d'une taille suffisante pour votre installation.
- La valve est calibrée à 104°F (40°C) à la première position d'arrêt. La limite de température maximum est positionnée de manière à ce que la température de sortie d'eau n'excède pas 120°F (49°C).
- La pression calibrée des entrées d'eau chaude et froide est de 43-1/2 psi (3 kg/cm carré). La pression calibrée d'alimentation d'eau chaude est de 149°F (65°C) et celle d'eau froide est de 59°F (15°C).
- Si les conditions d'entrée diffèrent de celles de calibration en usine, il peut être nécessaire de re-calibrer la valve après l'installation. **L'installateur doit vérifier la température du débit mélangé après installation puis régler la valve selon les instructions.**
- Cette valve est conforme aux exigences des normes ASME A112.18.1, ASSE 1016 et CSA B125. Ce robinet est enregistré selon ASSE, CSA et IAPMO/UPC.
- Si possible, bien purger toute la tuyauterie avant d'installer les valves afin d'éviter tout blocage des crépines.



P29512 - Raccordement de valve 3/4"



P29511 - Raccordement de valve 1/2"



Installer le cadre de support

IMPORTANT! S'assurer que la valve est montée à la profondeur correcte de manière à ce qu'elle soit correctement positionnée lorsque le mur fini est installé.

REMARQUE: Seule la configuration de douche est illustrée. Ajuster le support selon le besoin pour les autres configurations.

REMARQUE: Installer une plaque d'appui derrière la valve pour les installations sur un montant de 2 x 6 uniquement.

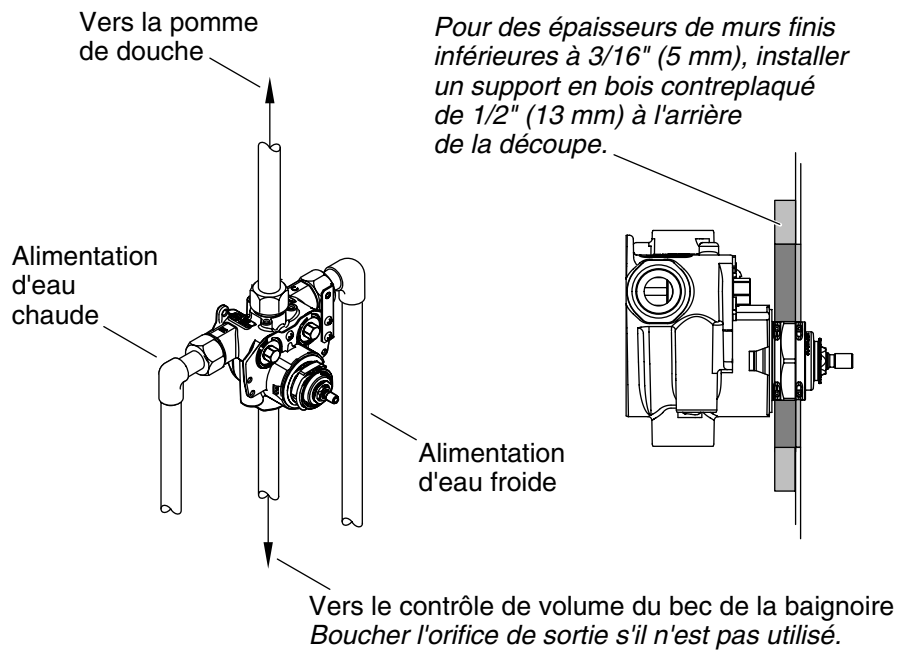
REMARQUE: Une plaque d'appui pourrait ne pas s'adapter à l'arrière de la valve pour les installations sur un montant de 2 x 4. Supporter les tuyaux directement au-dessus et/ou en-dessous de la valve. Ceci fournira un support à la valve.

REMARQUE: Lors de l'installation de la valve P29511, utiliser des raccords et tuyaux en cuivre de 1/2" nominaux dans cette installation. Une tuyauterie de petit diamètre en amont et en aval de la valve réduira le rendement du robinet.

Installer le cadre de support (cont.)

REMARQUE: Lors de l'installation de la valve P29512, utiliser des raccords et tuyaux en cuivre de 3/4" nominaux dans cette installation. Une tuyauterie de petit diamètre en amont et en aval de la valve réduira le rendement du robinet.

- Déterminer l'emplacement souhaité pour la valve selon le plan de raccordement, et construire un cadre de support et de montants adéquat pour la configuration en question et la valve.
- Si le mur fini est une cloison sèche, une cloison sèche d'une épaisseur de 1/2" (13 mm) ou plus doit être utilisée, ou le mur fini ne sera pas assez solide.
- Déterminer l'épaisseur du mur fini. Le mur fini ne doit pas s'étendre au-delà du bord extérieur du renfort de plâtre. La valve peut être montée avec le renfort en plâtre à ras du mur fini pour l'épaisseur maximale du mur. Si le renfort en plâtre est encastré, le mur fini est trop épais. Se référer au diagramme ci-dessus.
- Installer un antibélier dans les conduites d'alimentation d'eau chaude et froide.
- Déterminer l'emplacement souhaité pour la valve selon le plan de raccordement, et construire un cadre de support et de montants adéquat.



Installer la valve

AVIS: Risque d'endommagement du produit. Ce produit contient des composants en plastique et en caoutchouc. Ne pas appliquer de convection ou brasage direct sur le corps de valve. Ne pas appliquer de chaleur excessive au corps de valve pendant le soudage des connexions. Ne pas appliquer de flux ou d'acide directement sur le robinet pour éviter d'endommager les joints, composants en plastique ou la finition de la garniture.

AVIS: Risque d'endommagement du produit. Ne pas appliquer de lubrifiants à base de pétrole sur les composants de la valve, au risque de l'endommager.

AVIS: Risque d'endommagement du produit. Les connexions d'entrée et sortie filetées devraient être faites avec du ruban d'étanchéité PTFE ou du liquide. Les matériaux de scellage à base d'huile ne devraient pas être utilisés.

REMARQUE: Un renfort en plâtre est fixé à la surface du mitigeur. Ne pas le retirer avant d'en être instruit.

Installer la valve (cont.)

- Purger les conduites d'alimentation d'eau chaude et d'eau froide pour éliminer tout débris.
- Utiliser un ruban d'étanchéité pour filetage et raccorder les alimentations d'eau chaude et d'eau froide aux ports d'entrée de la valve. S'assurer que les lignes d'alimentation d'eau correspondantes soient connectées aux ports d'entrée correctes.

REMARQUE: Si la plomberie chaude et froide existante rend cette configuration difficile ou qu'il soit avantageux d'inverser les ports d'eau chaude et froide (tel que pour des installations dos à dos), voir "Inverser les alimentations d'entrée".

- Raccorder les lignes de sortie d'eau aux ports de la valve. Brancher tout port de sortie non utilisé.

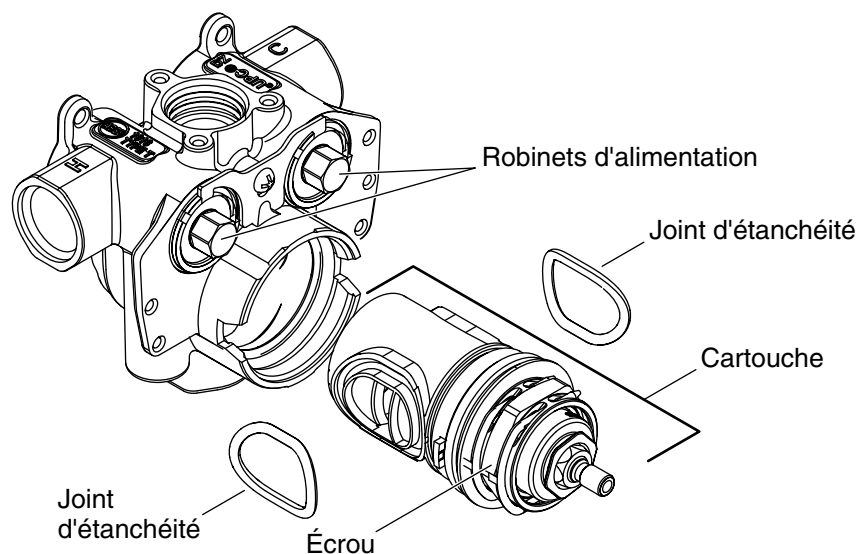
IMPORTANT! Sécuriser la tuyauterie au cadrage.

REMARQUE: Lors de l'utilisation du renfort en plâtre pour tracer la découpe, les marques extérieures du renfort assisteront à l'identification des centres à cannelures.

- Utiliser le renfort de plâtre pour déterminer la profondeur de la valve dans le mur et pour tracer la ligne de découpe dans le matériau du mur.

REMARQUE: Le mur fini doit être compris dans la profondeur MIN-MAX sur les adaptateurs de garniture 1, 2 et 3 du renfort en plâtre.

- Ouvrir les lignes d'alimentation d'eau aux valves.
- Faire couler l'eau à travers le mitigeur, toutes les douches, et le bec.
- Retirer le renfort de plâtre pour accéder et inspecter la valve.



Retirer la cartouche et tourner de 180°.

Inverser les alimentations d'entrée

Les connexions d'entrée sont indiquées sur les ports d'entrée de l'ensemble de la valve thermostatique. Gauche est CHAUD et droite est FROID. Si cette configuration n'est pas adéquate à votre installation, la cartouche peut être pivotée de 180° pour inverser les ports d'entrée chauds et froids.

REMARQUE: Consulter le guide des propriétaires pour le fonctionnement de l'arrêt d'alimentation intégral.

REMARQUE: NE PAS tirer le clip de démontage de l'ensemble de la cartouche à quelque moment que ce soit durant cette procédure. Le clip de rétention aide à maintenir la température limite et les composants de détente en place et réduit ou élimine la nécessité de réglages de température.

Si la valve est déjà installée et pressurisée:

- Tourner les deux arrêts d'alimentation intégrale de 90° dans le sens contraire des aiguilles d'une montre, jusqu'à ce qu'ils entrent en contact avec le support d'arrêt.

Inverser les alimentations d'entrée (cont.)

- Pivoter la tige de la valve de contrôle de volume (non illustré) complètement vers la droite pour libérer la pression.
- Dévisser lentement l'écrou de tête, vers la gauche. Ceci commencera à dégager la cartouche hors du corps de la valve.

REMARQUE: De l'eau pourrait être évacuée. Utiliser un seau et des serviettes pour éponger l'eau.

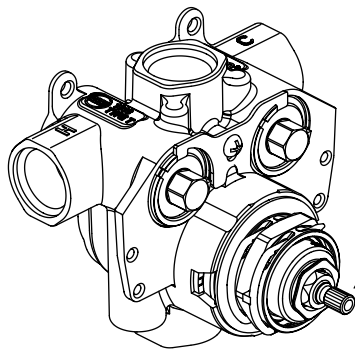
- Extraire l'écrou de tête avec la cartouche hors du corps de la valve.

REMARQUE: Deux joints pourraient tomber lorsque la cartouche est retirée. Mettre les joints de côté.

- Pivoter la cartouche de 180°.
- Vérifier que l'entrée de cartouche froide soit à gauche lorsque l'adaptateur de la tige de valve est de face.

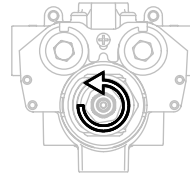
REMARQUE: Les entrées de cartouche chaudes et froides sont identifiées au-dessus et aux côtés des languettes de la cartouche. Les languettes sont étiquetées "H" et "C" pour identifier le chaud et le froid.

- **CONSEIL:** La rotation de la cartouche dans un mouvement de va-et-vient ou l'installation avec un mouvement pousser-tirer réduit la possibilité de pincer les joints latéraux.
- Réinstaller les joints à chaque côté de la cartouche.
- Repousser délicatement la cartouche en place dans le corps de valve. S'assurer que les deux languettes de la cartouche soient proprement reposées à l'intérieur des rainures de cette dernière du corps de la valve.
- Serrer à la main l'écrou de tête sur le corps de valve. **Ne pas trop serrer.**
- Remettre les arrêts d'alimentation intégrale en position originale.
- Noter les alimentations d'entrée inversées pour les entretiens futurs.

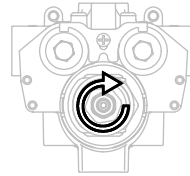


Adaptateur
à cannelures

Augmenter la température



Baisser la température



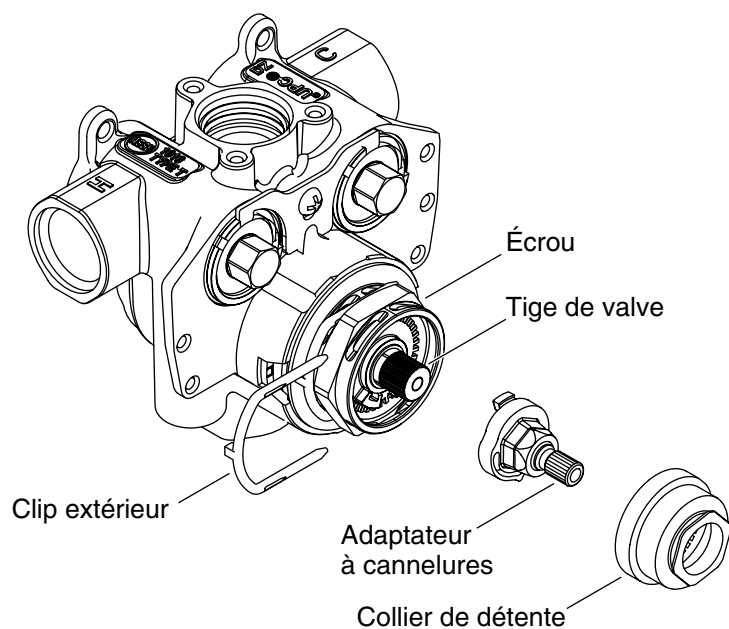
Vérifier le réglage de la température

REMARQUE: La cartouche de la valve thermostatique est calibrée en usine pour une température de douche comprise entre environ 104°F (40°C) et 105°F (41°C) et une haute température chaude maximum de 120°F (49°C).

- Ouvrir l'eau.
- Attacher la poignée de garniture ou le renfort de plâtre sur l'adaptateur à cannelures de la valve.
- Tourner l'adaptateur à cannelures de valve complètement vers la gauche afin que la poignée de garniture ou renfort de plâtre ne bouge plus. L'adaptateur à cannelure de valve est maintenant en position maximale chaude.
- Laisser couler l'eau pendant plusieurs minutes pour stabiliser les températures d'alimentation d'eau.
- Positionner un thermomètre dans le courant d'eau pour vérifier la température d'alimentation d'eau chaude.
- Si la température de l'eau dépasse 120°F (49°C) ou si elle est inférieure à la température souhaitée, aller à la section "Régler la limite de température chaude".
- Tourner la poignée de garniture ou le renfort de plâtre vers la droite jusqu'à entendre un clic. Ne pas tourner plus. Ceci est la position de température de douche.
- Retirer la poignée de garniture ou le renfort de plâtre de l'adaptateur à cannelures de la valve.

Vérifier le réglage de la température (cont.)

- Placer un thermomètre dans le courant d'eau et vérifier la température de douche.
- Si la température de l'eau est inférieure à une valeur comprise entre 104°F (40°C) à 105°F (41°C) ou si elle est supérieure à la température souhaitée, aller à la section "Réglage de la température de douche".
- Si les deux réglages sont corrects, remplir la section "Avis aux propriétaires" de ce guide du propriétaire.

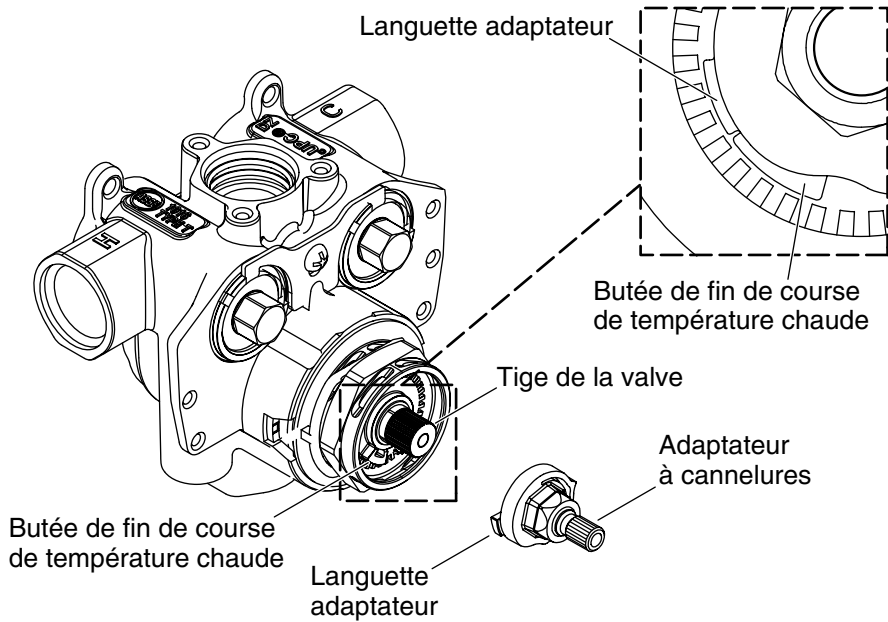


Régler la limite de température chaude

- Retirer le clip extérieur de l'écrou de tête.
- Réinstaller le collier à détente.
- Retirer l'adaptateur à cannelures.

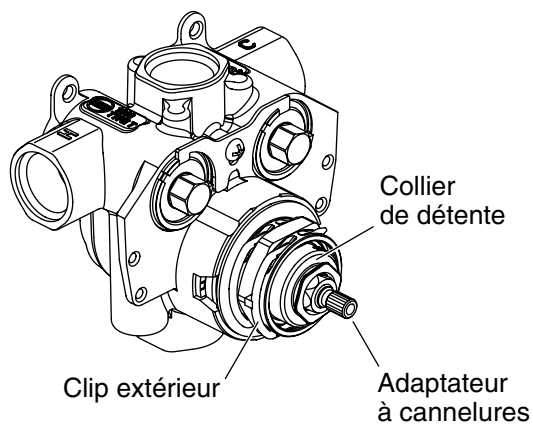
REMARQUE: Laisser le collier à détente de côté lors des réglages.

- Tourner la tige de la valve complètement vers la gauche.
- Utiliser le robinet de contrôle de volume (non illustré) pour ouvrir l'alimentation d'eau.
- Laisser couler l'eau pendant plusieurs minutes jusqu'à ce que la température de l'eau se stabilise.

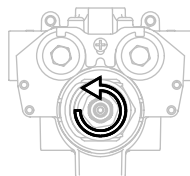


Régler la limite de température chaude (suite)

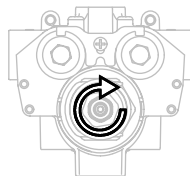
- Utiliser un thermomètre pour vérifier la température de l'eau.
- Faire tourner la tige de la valve dans le sens des aiguilles d'une montre, jusqu'à ce que la température de l'eau atteigne 120°F (49°C).
- Réinstaller l'adaptateur à cannelures avec la patte de l'adaptateur placée à ras de la butée de fin de course de température chaude sur la cartouche.
- Utiliser le robinet de contrôle de volume (non illustré) pour couper l'alimentation d'eau.



Augmenter la température



Baisser la température



Réglage de la température de douche

- **Si le collier à détente est installé:** Retirer le clip extérieur et dégager le collier à détente des dents de la cartouche. Ne pas retirer le collier, attendre qu'il soit suspendu de la cartouche.
- **Si le collier à détente n'est installé:** Placer sans serrer le collier à détente par-dessus la cartouche, en assurant que le collier n'engage pas les dents de la cartouche.
- Placer la poignée de garniture ou le renfort de plâtre (non illustré) sur l'adaptateur à cannelures de la valve.
- Tourner l'adaptateur à cannelures de valve complètement vers la gauche afin que la poignée de garniture ou renfort de plâtre ne bouge plus. L'adaptateur à cannelure de valve est maintenant en position maximale chaude.
- Retirer la poignée de garniture ou le renfort de plâtre de l'adaptateur à cannelures de la valve.
- Utiliser le robinet de contrôle de volume (non illustré) pour ouvrir l'alimentation d'eau.
- Laisser couler l'eau pendant plusieurs minutes jusqu'à ce que la température de l'eau se stabilise.
- Placer un thermomètre dans le courant d'eau pour vérifier la température de l'eau.

Réglage de la température de douche (cont.)

- Lorsque la température de l'eau atteint la limite de température chaude de consigne (section "Régler la limite de température chaude") commencer par tourner doucement le collier à détente et l'adaptateur à cannelures dans le sens des aiguilles d'une montre.

REMARQUE: Pendant la rotation du collier à détente, des petits réglages vers l'intérieur et l'extérieur seront requis pour assurer que le collier n'engage pas les dents de la cartouche. Utiliser le collier à détente pour faire tourner l'adaptateur à cannelures.

- Pendant la rotation du collier et de l'adaptateur à cannelures, surveiller la température de la sortie d'eau.
- Lorsque la température atteint 104-105°F (40-40.5°C), enfoncer le collier à détente jusqu'à ce qu'il engage les dents de la cartouche.
- Avec la patte du clip placée vers la valve, réinstaller le clip sur l'écrou de tête.
- Utiliser le robinet de contrôle de volume (non illustré) pour couper l'alimentation d'eau.

Dépannage

Symptômes	Cause probable/Action recommandée
1. Uniquement de l'eau chaude ou froide de la sortie d'eau.	A. Alimentations d'entrée sont inversées. Voir la section "Inverser les alimentations d'entrée". B. Inspecter les grilles du filtre de toute obstruction. Dégager si nécessaire.
2. Fluctuation ou réduction du débit.	A. Variation de l'état extérieur tel que pression réduite. B. Inspecter les grilles du filtre de toute obstruction. Dégager si nécessaire. C. S'assurer que le débit minimum soit suffisant pour des conditions d'alimentation. D. S'assurer que les pressions dynamiques d'entrée soient normalement balancées et suffisantes.

Dépannage (cont.)	
Symptômes	Cause probable/Action recommandée
	<p>E. S'assurer que les différentiels de température d'entrée soient suffisants.</p> <p>F. Les arrêts de service ne sont pas complètement ouverts. Tourner les deux arrêts de service dans le sens des aiguilles d'une montre jusqu'à ce qu'ils soient entièrement ouverts.</p> <p>G. Vérifier la performance thermostatique; remplacer la cartouche thermostatique si nécessaire.</p>
<p>3. Aucun débit de la sortie d'eau de contrôle de douche.</p>	<p>A. Les grilles du filtre sont bloquées. Dégager les grilles du filtre.</p> <p>B. Défaillance d'alimentation d'eau chaude ou froide. Remplacer la valve d'alimentation.</p> <p>C. La cartouche de contrôle de débit ne fonctionne pas. Vérifier et remplacer si nécessaire.</p> <p>D. Arrêts de service sont fermés. Tourner les deux arrêts de service dans le sens des aiguilles d'une montre jusqu'à ce qu'ils soient entièrement ouverts.</p>
<p>4. Dérive de température de mélange.</p>	<p>A. Indique que les conditions d'opération ont changé. Aucune action n'est nécessaire.</p> <p>B. Se référer au symptôme 2.</p> <p>C. Fluctuation de température d'alimentation d'eau chaude.</p> <p>D. Fluctuation de pression d'alimentation.</p>
<p>5. Eau chaude dans alimentation froide ou eau froide dans alimentation chaude.</p>	<p>A. Indique un croisement de débit. Remplacer la valve clapet.</p>
<p>6. La température maximale de mélange est trop chaude ou trop froide.</p>	<p>A. Indique un réglage de température maximum incorrect; se référer à la section "Régler la limite de température chaude".</p>

Dépannage (cont.)	
Symptômes	Cause probable/Action recommandée
	<p>B. Se référer au symptôme 4.</p> <p>C. Se référer au symptôme 5.</p>
<p>7. Fuite d'eau du corps de la valve.</p>	<p>A. Joint(s) usé(s) ou endommagé(s). Obtenir un kit de service et remplacer le(s) joint(s).</p> <p>B. Si la fuite persiste d'autour de l'axe de température, remplacer la cartouche thermostatique.</p>
<p>8. Le bouton de débit ou de température est rigide pour opérer.</p>	<p>A. Mouvement libre altéré des composants internes. Remplacer la cartouche appropriée.</p> <p>B. Les pressions d'alimentation sont trop élevées. Ajuster la valve de réduction de pression.</p>

Guía de instalación

Válvulas mezcladoras termostáticas

INSTRUCCIONES IMPORTANTES

LÉALAS Y GUÁRDELAS PARA EL CLIENTE



ADVERTENCIA: Riesgo de quemaduras u otras lesiones graves.



PRECAUCIÓN: Riesgo de quemaduras. Este aparato se ha calibrado en la fábrica para asegurar una temperatura máxima del agua que no presente riesgos. Cualquier variación en el ajuste o en las condiciones de entrada del agua con respecto al calibrado de fábrica puede aumentar la temperatura de salida por encima del límite considerado seguro y presentar el riesgo de quemaduras.

- Antes de terminar la instalación, el instalador debe ajustar la temperatura máxima del agua en la válvula para reducir el riesgo de quemaduras, según la norma ASTM F 444.

El instalador tiene la responsabilidad de ajustar la temperatura máxima del agua de esta válvula según las instrucciones.

Esta válvula cumple o excede las normas ANSI A112.18.1 y ASSE 1016.

Si no comprende las instrucciones de ajuste de temperatura contenidas en este documento, llame a nuestro Departamento de Atención al Cliente, al **1-888-4-KALLISTA**. Fuera de los Estados Unidos, comuníquese con su distribuidor.

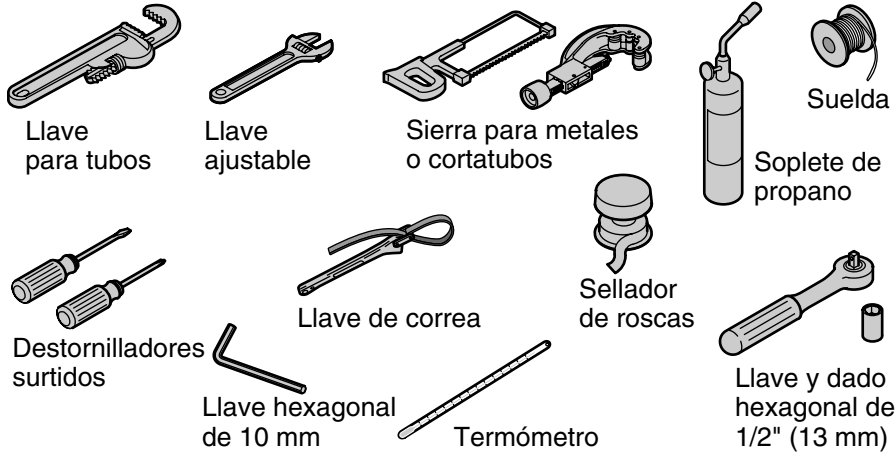
AVISO IMPORTANTE: Por favor, llene la información en la etiqueta de la válvula. Guarde esta guía para referencia futura.

- La válvula está calibrada a 104°F (40°C) en la primera posición y el tope limitador de temperatura máxima está colocado de manera que la temperatura del agua en la salida no exceda de 120°F (49°C).

INSTRUCCIONES IMPORTANTES (cont.)

- Las condiciones de entrada calibradas en la fábrica son:
Presión del agua fría y caliente = 43-1/2 psi (300 kPa)
Temperatura del suministro de agua caliente = 149°F (65°C)
Temperatura del suministro de agua fría = 59°F (15°C)
- Si las condiciones de entrada difieren de las usadas durante el calibrado en fábrica, quizás sea necesario volver a calibrar la válvula una vez instalada. **El instalador debe verificar la temperatura del flujo mixto después de la instalación y ajustar la válvula según sea necesario conforme a las instrucciones.**

Herramientas



Antes de comenzar



ADVERTENCIA: Riesgo de quemaduras u otras lesiones graves. Antes de terminar la instalación, el instalador debe ajustar la temperatura máxima del agua en la válvula para reducir el riesgo de quemaduras, según la norma ASTM F 444.



PRECAUCIÓN: Riesgo de lesiones personales. Si la temperatura del agua se ajusta muy alta, se producirán quemaduras. La temperatura del agua nunca debe ajustarse a más de 120°F (49°C).



PRECAUCIÓN: Riesgo de quemaduras. Este aparato se ha calibrado en la fábrica para asegurar una temperatura máxima del agua que no presente riesgos. Cualquier

Antes de comenzar (cont.)

variación en el ajuste o en las condiciones de entrada del agua con respecto al calibrado de fábrica puede aumentar la temperatura de salida por encima del límite considerado seguro y presentar el riesgo de quemaduras. La instalación y el ajuste de este aparato, en cumplimiento con estas instrucciones, es responsabilidad del instalador.

AVISO: Riesgo de daños al producto. Esta válvula tiene componentes de plástico y goma. No funda la suelda ni cobresoldee directamente al cuerpo de la válvula. Al soldar las conexiones, no aplique calor excesivo al cuerpo de la válvula. No aplique fundente ni ácidos directamente a la válvula, pues se pueden dañar los sellos, los componentes de plástico y el acabado de la guarnición.

AVISO: Riesgo de daños al producto. No aplique lubricantes derivados del petróleo a los componentes de la válvula, pues se pueden causar daños.

AVISO: Riesgo de daños al producto. Las conexiones roscadas de entrada y salida deben tener cinta de plomería PTFE o sellador líquido. No se deben utilizar compuestos a base de aceite que no solidifiquen.

AVISO: No fuerce la manija en ninguna dirección. Si fuerza la manija dañará la válvula.

- Cumpla con todos los códigos locales de plomería y construcción.
- Cierre el suministro principal de agua.
- Revise que las tuberías de suministro no estén dañadas. Reemplace según sea necesario.
- El puerto inferior de la válvula mezcladora termostática está diseñado para usarse como puerto para llenar la bañera solamente. Si no se utiliza un surtidor de bañera con este producto, tape el puerto inferior.
- Las válvulas mezcladoras termostáticas P29511 y P29512 no tienen una válvula integral de control de caudal o llave de paso. Usted debe instalar una llave de paso/control de caudal separada (P29527 ó P29528), aguas abajo de toda salida de válvula que se utilice.

Antes de comenzar (cont.)

- Las válvulas mezcladoras termostáticas no tienen un aspirador integral. Para instalaciones que emplean un surtidor desviador de bañera, se debe instalar un codo con dos salidas con aspirador integral entre la válvula y el surtidor de bañera. Si estas válvulas mezcladoras termostáticas se instalan sin aspirador, el agua fluirá simultáneamente por el surtidor de la ducha y de la bañera.
- Determine la capacidad y el tamaño del desagüe correctos para su instalación. Si se utilizan dos válvulas mezcladoras termostáticas conjuntamente, es posible alcanzar caudales de agua entre 18 y 30 gpm (60 y 114 lpm), dependiendo de la presión del agua en el suministro.
- Determine el tamaño y la capacidad del calentador de agua correctos para su instalación. Una instalación típica de ducha emplea aproximadamente 75% de agua caliente y 25% de agua fría. Una ducha a la medida con tres cabezas de ducha de 2-1/2 gpm (9,5 lpm), puede emplear cerca de 45 galones (170 litros) de agua caliente en 8 minutos. Elija un calentador de agua de suficiente tamaño para su instalación.
- La válvula está calibrada a 104°F (40°C) en la primera posición. El tope limitador de la temperatura máxima está colocado de manera que la temperatura del agua en la salida no supere los 120°F (49°C).
- La presión calibrada en la fábrica para las entradas de agua caliente y fría es de 43-1/2 psi (3 kg/cm cuadrado). Para la calibración en fábrica, la temperatura del suministro de agua caliente es 149°F (65°C) y la temperatura del suministro de agua fría es 59°F (15°C).
- Si las condiciones de entrada difieren de las usadas durante la calibración en fábrica, quizás sea necesario volver a calibrar la válvula una vez instalada. **El instalador debe verificar la temperatura del flujo mixto después de la instalación y ajustar la válvula según sea necesario conforme a las instrucciones.**
- Esta válvula cumple con las normas ASME A112.181, ASSE 1016 y CSA B125. La válvula se encuentra en las listas de la ASSE, CSA, y IAPMO/UPC.
- De ser posible, haga circular agua por todas las tuberías antes de instalar las válvulas para evitar que las rejillas de filtro se obstruyan.

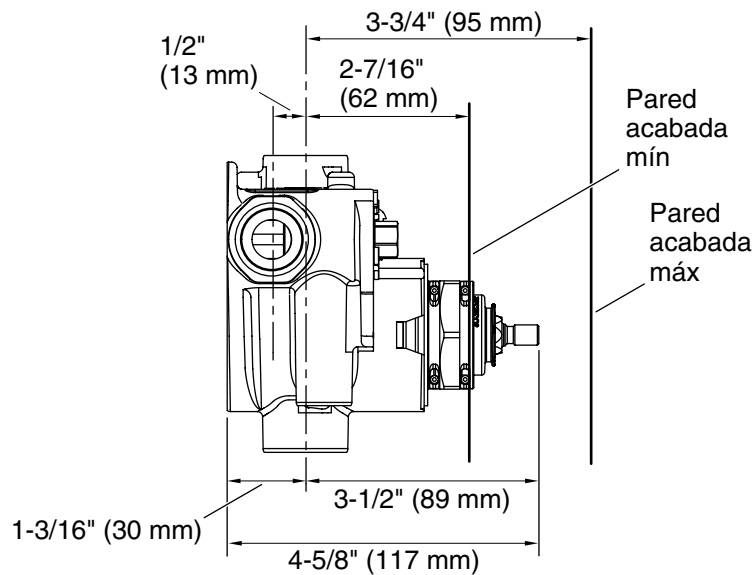
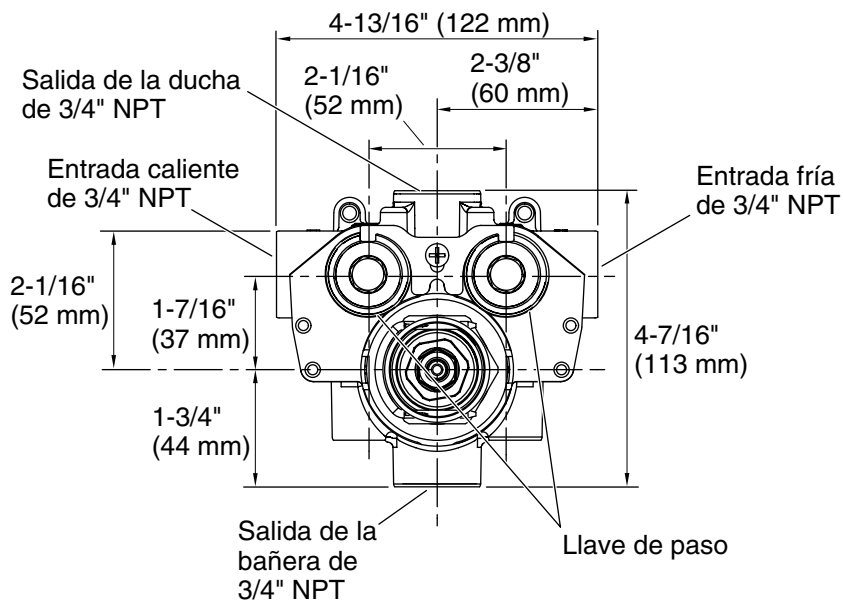


Diagrama de instalación de la válvula de 3/4" - P29512

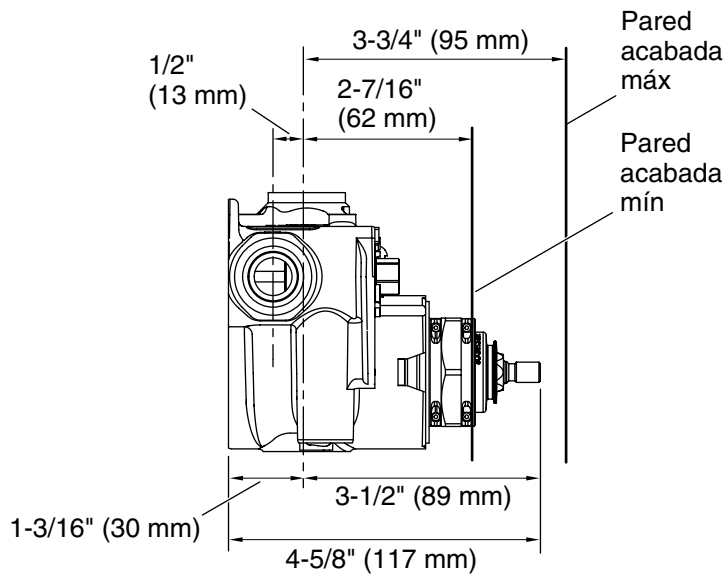
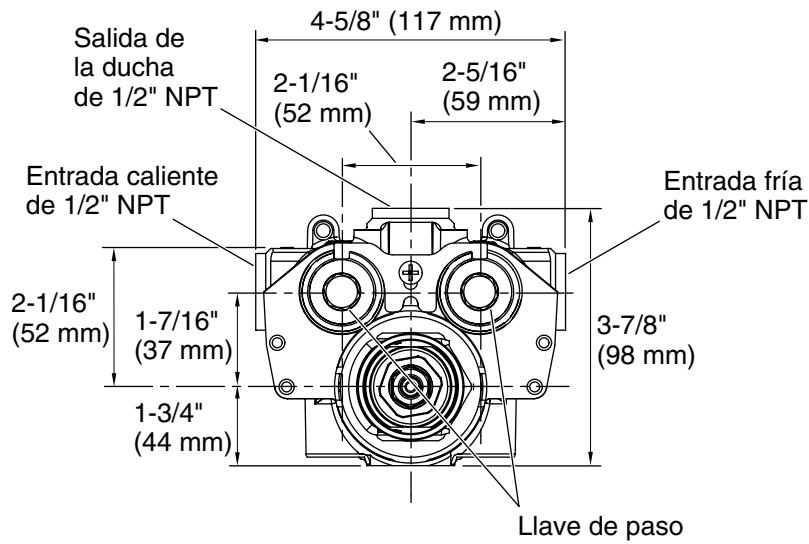
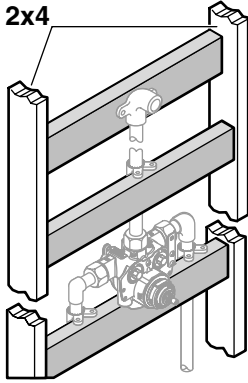
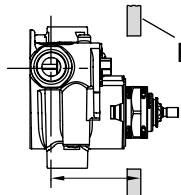
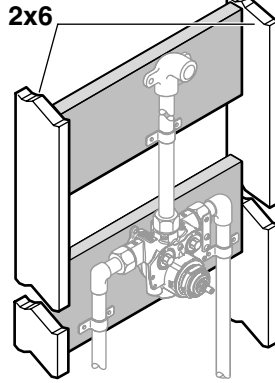


Diagrama de instalación de la válvula de 1/2" - P29511

Pared delgada

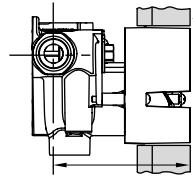


Pared gruesa



Pared acabada

2-15/16" (75 mm) Mín



Pared acabada

Protector de yeso

4-1/4" (108 mm) Máj

Instale la estructura de soporte

¡IMPORTANTE! Asegúrese de que la válvula se instale a la profundidad correcta de manera que se pueda colocar correctamente cuando se instale la pared acabada.

NOTA: Se muestra la configuración de sólo ducha. Ajuste el soporte según sea necesario para otras configuraciones.

NOTA: Instale la tabla de soporte detrás de la válvula con postes de madera de 2x6 solamente.

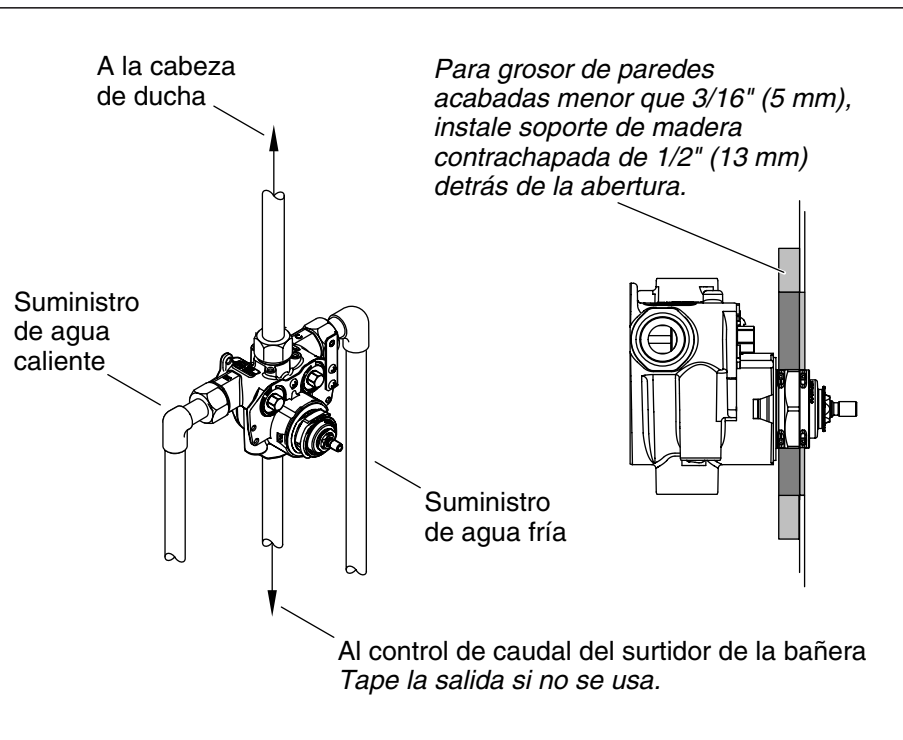
NOTA: Es posible que una tabla de soporte no quepa detrás de la válvula con postes de madera de 2x4. Soporte los tubos directamente arriba y/o abajo de la válvula. Esto también proveerá el soporte para la válvula.

NOTA: Al instalar la válvula P29511, utilice tuberías de cobre y conexiones de 1/2" nominal en toda la instalación. Las tuberías de menor diámetro tanto aguas arriba como aguas abajo de la válvula reducirán el rendimiento de la válvula.

Instale la estructura de soporte (cont.)

NOTA: Al instalar la válvula P29512, utilice tuberías de cobre y conexiones de 3/4" nominal en toda la instalación. Las tuberías de menor diámetro tanto aguas arriba como aguas abajo de la válvula reducirán el rendimiento de la válvula.

- Determine la ubicación deseada de la válvula conforme al diagrama de instalación, y construya una estructura adecuada de postes y soportes para su configuración y válvula.
- Si la pared acabada es de paneles de yeso, se debe utilizar paneles de yeso de un espesor de 1/2" (13 mm) o mayor, de lo contrario la pared acabada no será lo suficientemente fuerte.
- Determine el espesor de la pared acabada. La pared acabada no debe extender más allá del filo exterior del protector de yeso. La válvula se puede instalar con el protector de yeso al ras con la pared acabada para obtener el espesor mayor posible de pared. Si el protector de yeso queda empotrado, la pared acabada quedará demasiado espesa. Consulte el diagrama que se muestra arriba.
- Instale amortiguadores de golpe de ariete en las líneas de suministro del agua fría y caliente.
- Determine la ubicación deseada de la válvula conforme al diagrama de instalación, y construya una estructura adecuada de postes y soportes.



Instale la válvula

AVISO: Riesgo de daños al producto. Esta válvula tiene componentes de plástico y goma. No funda la suelda ni cobresoldee directamente al cuerpo de la válvula. Al soldar las conexiones, no aplique calor excesivo al cuerpo de la válvula. No aplique fundente ni ácidos directamente a la válvula, pues se pueden dañar los sellos, los componentes de plástico y el acabado de la guarnición.

AVISO: Riesgo de daños al producto. No aplique lubricantes derivados del petróleo a los componentes de la válvula, pues se pueden causar daños.

AVISO: Riesgo de daños al producto. Las conexiones roscadas de entrada y salida deben tener cinta de plomería PTFE o sellador líquido. No se deben utilizar compuestos a base de aceite que no solidifiquen.

NOTA: El protector de yeso está instalado en el frente de la válvula mezcladora. No lo retire hasta que se le indique.

- Haga circular agua por las líneas del agua fría y caliente para eliminar las partículas que pueda haber.

Instale la válvula (cont.)

- Utilice cinta selladora de roscas y conecte las líneas de suministro de agua fría y caliente en los puertos de entrada de la válvula. Asegúrese de que las líneas de suministro correspondientes estén conectadas a los puertos de entrada correctos.

NOTA: Si la instalación existente de las tuberías de agua fría y caliente dificulta esta configuración o si resulta ventajoso invertir los puertos de agua fría y caliente (como en instalaciones contiguas), consulte la sección "Invierta los suministros de entrada".

- Conecte las líneas de salida de agua a los puertos de la válvula. Tapone los puertos de salida no utilizados.

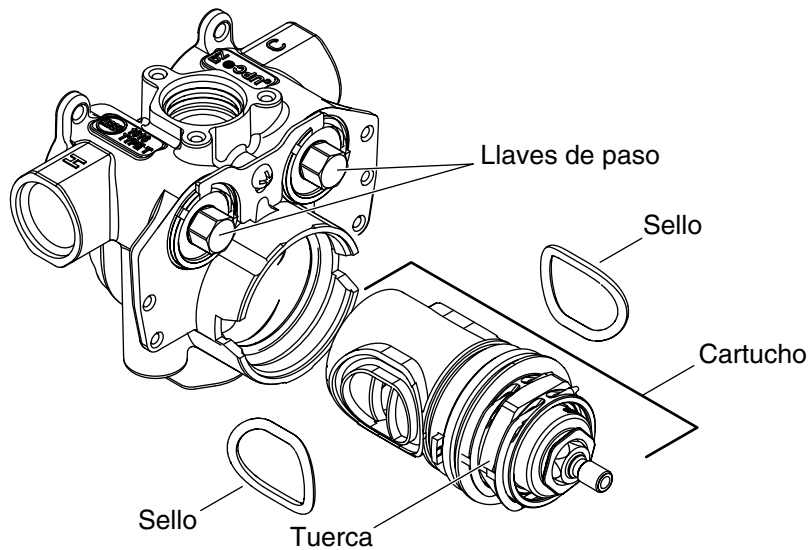
¡IMPORTANTE! Fije la tubería a la estructura de postes de madera.

NOTA: Al usar el protector de yeso para trazar la línea de corte, las marcas punteadas en el exterior del protector le ayudarán a identificar los centros de las ranuras.

- Utilice un protector de yeso para determinar la profundidad de la válvula en la pared y para trazar la línea de corte en el material de la pared.

NOTA: La pared acabada debe quedar entre la profundidad MÍN - MÁX indicada en los adaptadores de guarnición 1, 2 y 3 del protector de yeso.

- Abra el suministro de agua a las válvulas.
- Deje correr agua a través de la válvula mezcladora, todas las duchas y el surtidor.
- Quite el protector de yeso para tener acceso y revisar la válvula.



Retire el cartucho y gire 180°.

Invierta los suministros de entrada

Las conexiones de entrada están marcadas en los puertos de entrada del montaje de la válvula termostática. El lado izquierdo es para agua caliente (HOT), y el derecho para agua fría (COLD). Si esta configuración no es adecuada para su instalación, puede girar el cartucho 180° para invertir los puertos de entrada del agua caliente y fría.

NOTA: Consulte la Guía del Usuario para el funcionamiento de la llave de paso de suministro integral.

NOTA: NO jale el clip de retención del montaje del cartucho, en ningún momento, durante este procedimiento. El clip de retención ayuda a retener el tope limitador de la temperatura y los componentes en su lugar, además reduce o elimina la necesidad de ajustar la temperatura.

Con la válvula ya instalada y presurizada:

- Gire ambas llaves de paso integrales de 90° hacia la izquierda hasta que hagan contacto con el soporte de la llave de paso.

Invierta los suministros de entrada (cont.)

- Gire la espiga de la válvula de control de caudal (no ilustrada) completamente a la derecha para aliviar la presión.
- Afloje lentamente la tuerca de sujeción, girándola hacia la izquierda. Esto comenzará a empujar el cartucho fuera del cuerpo de la válvula.

NOTA: Se saldrá un poco de agua. Utilice un balde y toallas para contener el agua.

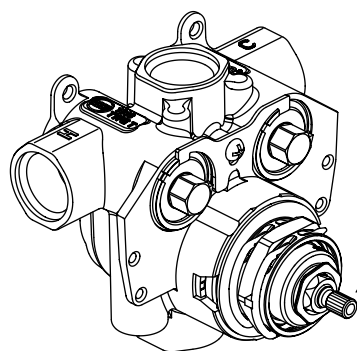
- Jale la tuerca de sujeción con el cartucho, sacándolos del cuerpo de la válvula.

NOTA: Al salir el cartucho tal vez también salgan dos sellos. Coloque los sellos a un lado.

- Gire el cartucho 180°.
- Verifique que la entrada del cartucho para agua fría esté a la izquierda cuando el adaptador de la espiga de la válvula esté hacia usted.

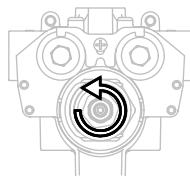
NOTA: Las entradas del cartucho para agua caliente y fría están identificadas en la parte superior y en los lados de las lengüetas del cartucho. Las lengüetas están marcadas con las letras "H" y "C" para identificar caliente y fría respectivamente.

- **CONSEJO:** Girar el cartucho hacia delante y hacia atrás o instalar con un movimiento de jalar-empujar reducirá la posibilidad de pellizcar los sellos laterales.
- Vuelva a instalar los sellos en cada lado del cartucho.
- Con cuidado vuelva a insertar el cartucho en el cuerpo de la válvula. Asegúrese de que ambas lengüetas del cartucho queden bien asentadas dentro de las ranuras para el cartucho que tiene el cuerpo de la válvula.
- Apriete con la mano la tuerca de sujeción sobre el cuerpo de la válvula. **No apriete demasiado.**
- Vuelva a colocar las llaves de paso integrales en su posición original.
- Indique en la válvula los suministros de entrada invertidos para el servicio futuro.

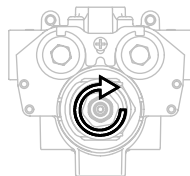


Adaptador de ranuras

Aumentar la temperatura



Reducir la temperatura



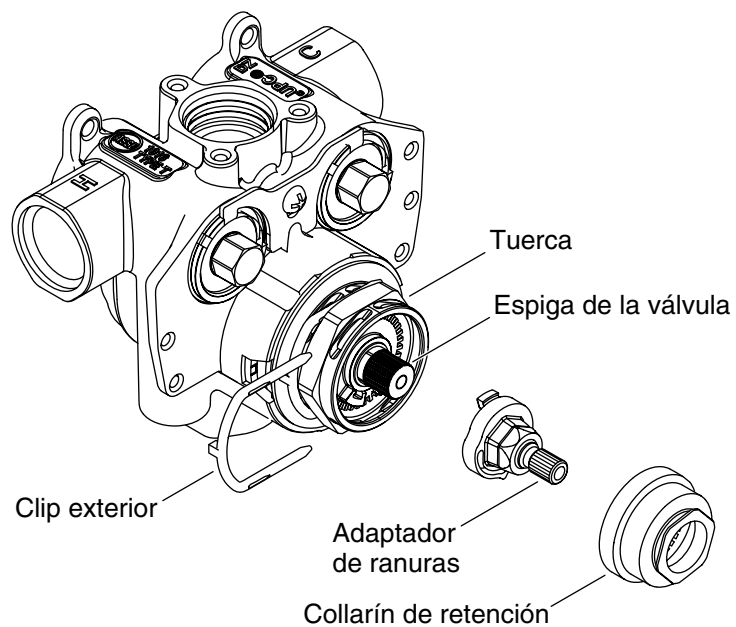
Verifique el ajuste de la temperatura

NOTA: El cartucho de la válvula termostática se ha calibrado en la fábrica para una temperatura de ducha aproximadamente entre 104°F (40°C) y 105°F (41°C) y una temperatura de agua caliente máxima de 120°F (49°C).

- Abra el agua.
- Fije la manija decorativa o el protector de yeso en el adaptador de ranuras de la válvula.
- Gire completamente a la izquierda el adaptador de ranuras de la válvula para que la manija decorativa o el protector de yeso ya no se puedan mover. El adaptador de ranuras de la válvula ahora está en la posición de agua completamente caliente.
- Deje correr el agua durante varios minutos para estabilizar las temperaturas de suministro del agua.
- Coloque un termómetro en el flujo de agua para verificar la temperatura del agua caliente.
- Si la temperatura del agua excede de 120°F (49°C), o es menor que la temperatura deseada, continúe en la sección "Ajuste del límite de la temperatura caliente".
- Gire la manija decorativa o el protector de yeso hacia la derecha hasta que escuche un clic. No gire más. Esta es la posición de temperatura de la ducha.
- Quite la manija decorativa o el protector de yeso del adaptador de ranuras de la válvula.

Verifique el ajuste de la temperatura (cont.)

- Coloque un termómetro en el chorro de agua para verificar la temperatura de la ducha.
- Si la temperatura del agua es menor de 104°F (40°C) a 105°F (41°C), o es mayor que la temperatura deseada, continúe en la sección "Ajuste la temperatura de la ducha".
- Si las temperaturas son correctas, llene la sección "Aviso al usuario" de esta Guía del usuario.

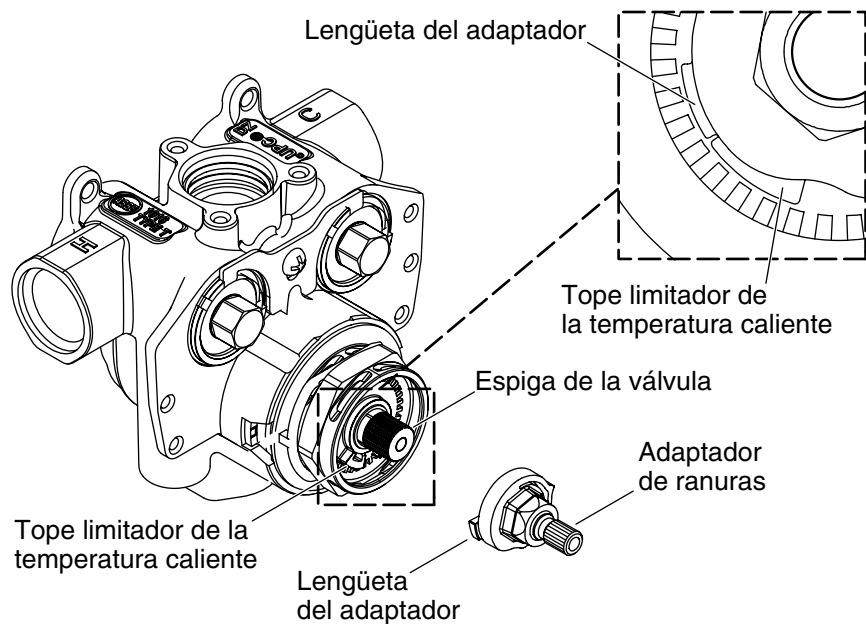


Ajuste el límite de la temperatura caliente

- Retire el clip exterior de la tuerca de sujeción.
- Retire el collarín de retención.
- Retire el adaptador de ranuras.

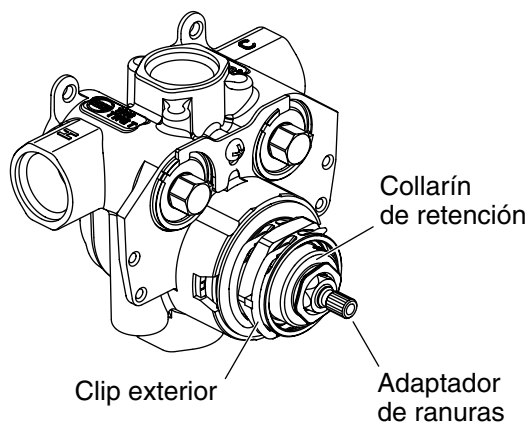
NOTA: Mientras realiza los ajustes, no tenga instalado el collarín de retención.

- Gire la espiga de válvula completamente a la izquierda.
- Abra el agua utilizando la válvula de control de caudal (no se ilustra).
- Deje correr el agua durante varios minutos hasta estabilizar la temperatura del agua.

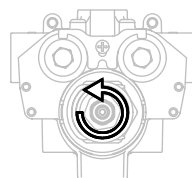


Ajuste el límite de la temperatura caliente (continuación)

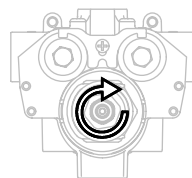
- Utilice un termómetro para verificar la temperatura del agua.
- Gire la espiga de la válvula a la derecha hasta alcanzar la temperatura de agua de 120°F (49°C).
- Vuelva a instalar el adaptador de ranuras con la lengüeta del adaptador al ras con el tope del límite de temperatura caliente en el cartucho.
- Cierre el agua utilizando la válvula de control de caudal (no se ilustra).



Aumentar la temperatura



Reducir la temperatura



Ajuste la temperatura de la ducha

- Si el collarín de retención está instalado: Retire el clip exterior y desenganche el collarín de retención de los dientes del cartucho. No retire el collarín, déjelo que cuelgue del cartucho.
- Si el collarín de retención no está instalado: Coloque sin apretar el collarín de retención sobre el cartucho, asegurando que el collarín no engrane con los dientes del cartucho.
- Coloque la manija decorativa (no ilustrada) o el protector de yeso (no ilustrado) en el adaptador de ranuras de la válvula.
- Gire completamente a la izquierda el adaptador de ranuras de la válvula para que la manija decorativa o el protector de yeso ya no se puedan mover. El adaptador de ranuras de la válvula ahora está en la posición de agua completamente caliente.
- Quite la manija decorativa o el protector de yeso del adaptador de ranuras de la válvula.
- Abra el agua utilizando la válvula de control de caudal (no se ilustra).
- Deje correr el agua durante varios minutos hasta estabilizar la temperatura del agua.
- Sostenga un termómetro en el chorro de agua para verificar la temperatura del agua.

Ajuste la temperatura de la ducha (cont.)

- Una vez que la temperatura del agua alcance el límite establecido de la temperatura caliente (sección "Ajuste el límite de la temperatura caliente") comience despacio a girar el collarín de retención y el adaptador de ranuras hacia la derecha.

NOTA: Mientras gira el collarín de retención, será necesario hacer ajustes pequeños hacia dentro y fuera para asegurar que el collarín no engrane con los dientes del cartucho. Utilice el collarín de retención para girar el adaptador de ranuras.

- Mientras gira el collarín y el adaptador de ranuras, vigile la temperatura de salida del agua.
- Cuando la temperatura alcance 104-105°F (40-40,5°C), empuje el collarín de retención hacia dentro hasta que encaje con los dientes del cartucho.
- Con la lengüeta del clip colocada hacia la válvula, vuelva a instalar el clip a la tuerca de sujeción.
- Cierre el agua utilizando la válvula de control de caudal (no se ilustra).

Resolución de problemas

Síntomas	Causa probable/Acción recomendada
1. Sólo sale agua caliente o fría en la salida de agua.	A. Los suministros de entrada están invertidos. Vea la sección "Invierta los suministros de entrada". B. Verifique que no haya obstrucciones en el filtro de rejilla. Limpie de ser necesario.
2. Velocidad de flujo reducida o fluctuante.	A. Variación de una condición externa, como presión reducida. B. Verifique que no haya obstrucciones en el filtro de rejilla. Limpie de ser necesario. C. Asegúrese de que el caudal mínimo sea suficiente para las condiciones del suministro. D. Asegúrese de que las presiones dinámicas de entrada estén reguladas nominalmente y sean suficientes.

Resolución de problemas (cont.)	
Síntomas	Causa probable/Acción recomendada
	<p>E. Asegúrese de que las diferencias de las temperaturas de entrada sean suficientes.</p> <p>F. Las llaves de paso de servicio no están completamente abiertas. Gire hacia la derecha ambas llaves de paso de servicio hasta que estén completamente abiertas.</p> <p>G. Verifique el funcionamiento termostático; si es necesario, cambie el cartucho termostático.</p>
3. No hay flujo de la salida del control de la ducha.	<p>A. Los filtros de rejilla están obstruidos. Elimine las obstrucciones de los filtros de rejilla.</p> <p>B. Avería en el suministro de agua fría o caliente. Reemplace la llave de paso.</p> <p>C. El cartucho de control de flujo no funciona. Revíselo y cámbielo de ser necesario.</p> <p>D. Las llaves de paso están cerradas. Gire hacia la derecha ambas llaves de paso de servicio hasta que estén completamente abiertas.</p>
4. Cambio en la temperatura de mezcla.	<p>A. Indica que han cambiado las condiciones de funcionamiento. No se necesita acción alguna.</p> <p>B. Consulte el síntoma 2.</p> <p>C. Fluctuación de la temperatura del suministro de agua caliente.</p> <p>D. Fluctuación de la presión del suministro.</p>
5. Agua caliente en suministro de agua fría o agua fría en suministro de agua caliente.	<p>A. Indica que los flujos están cruzados. Reemplace la válvula de retención.</p>
6. La temperatura máxima de la mezcla es muy alta o muy baja.	<p>A. Indica un ajuste incorrecto para la temperatura máxima; consulte la sección "Ajuste el límite de la temperatura caliente".</p> <p>B. Consulte el síntoma 4.</p>

Resolución de problemas (cont.)	
Síntomas	Causa probable/Acción recomendada
	C. Consulte el síntoma 5.
7. Fuga de agua en el cuerpo de la válvula.	<p>A. El sello o los sellos están gastados o dañados. Adquiera el kit de servicio y cambie el sello o los sellos.</p> <p>B. Si la fuga es de alrededor del husillo de temperatura, cambie el cartucho termostático.</p>
8. La perilla de flujo o la perilla de temperatura no se mueven fácilmente.	<p>A. Los componentes internos no se mueven libremente. Reemplace el cartucho correspondiente.</p> <p>B. Las presiones de suministro están muy altas. Instale una válvula de reducción de presión.</p>

1170591-2-A

1170591-2-A

1170591-2-A

USA/Canada: 1-888-4-KALLISTA

Fax: 1-888-272-3094

kallista.com

KALLISTA

©2011 KALLISTA

1170591-2-A