

## For Health Hazard Applications

Job Name \_\_\_\_\_  
 Job Location \_\_\_\_\_  
 Engineer \_\_\_\_\_  
 Approval \_\_\_\_\_

Contractor \_\_\_\_\_  
 Approval \_\_\_\_\_  
 Contractor's P.O. No. \_\_\_\_\_  
 Representative \_\_\_\_\_

# LEAD FREE\*

## Series LF288A Hot or Cold Water Anti-Siphon Vacuum Breakers

**Sizes: 1/4" - 3" (8-80mm)**

Series LF288A represents a complete line of vacuum breakers designed to prevent backsiphonage of contaminated water into a potable water supply.

They feature a lightweight, durable "disc float" suitable for temperatures up to 180°F (82°C) which closes the atmospheric vent to prevent spilling under all rates of flow. Therefore, they are ideally recommended for low flow installations such as laboratory equipment which use such a small amount of water. They also contain a durable silicone disc which has high heat and water hammer shock resistance and assures tight seating with the lightest of seating contact. The LF288A Features Lead Free\* construction to comply with Lead Free\* installation requirements.

**Full Size Orifice** - Series LF288A has a full-size orifice to assure pipe size capacity. Water passages are streamlined to provide high water flow with minimal pressure loss.

For bottom/inlet and outlet connection type vacuum breakers 1/4", 3/8" (8, 10mm) size, refer to ES-LFN388.

### Features

- Lead Free\* Brass Body
- Full size orifice for maximum flow
- Lightweight disc assembly prevents spilling under all rates of flow

### Models

LF288A 1/4" - 3/4" (8 - 20mm) with Lead Free\* brass body  
 LF288A-C 1/4" - 3/4" (8 - 20mm) with Lead Free\* brass body and polished chrome finish  
 LF288AM4 1" (25mm)  
 LF288AM2 1 1/4" - 3" (32 - 80mm)

### Specifications

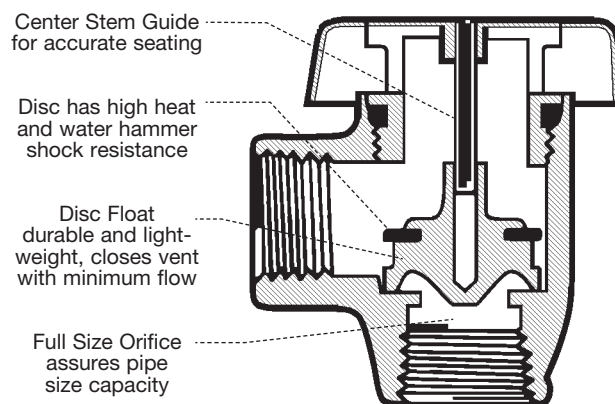
#### For Anti-Siphon Vacuum Breakers

An atmospheric type anti-siphon vacuum breaker shall be installed where indicated on the plans to prevent the backsiphonage of contaminated water. Device shall include lightweight disc float with silicone disc for tight seating. This device is not to be used under continuous pressure or where there is a possibility that a backpressure condition may develop. The Hot or Cold Water Anti-Siphon Vacuum Breakers shall be constructed using Lead Free\* materials. Lead Free\* Hot or Cold Water Anti-Siphon Vacuum Breakers shall comply with State codes and standards, where applicable, requiring reduced lead content. The device shall meet the requirements of ASSE Standard 1001, ANSI A112.1.1 and CSA B64 and shall be a Watts Series LF288A.

Watts product specifications in U.S. customary units and metric are approximate and are provided for reference only. For precise measurements, please contact Watts Technical Service. Watts reserves the right to change or modify product design, construction, specifications, or materials without prior notice and without incurring any obligation to make such changes and modifications on Watts products previously or subsequently sold.



1/2" (15mm) LF288A



Since atmospheric type vacuum breakers are subject to normal maintenance and replacement, they should be located where emergency water spillage will create no problem and where they can be accessible for inspection or servicing.

#### NOTICE

This device shall not be subjected to continuous pressure for more than twelve (12) hours per ASSE Std. 1001. For continuous pressure application, specify Watts Series LF800 pressure type vacuum breakers. Vacuum breakers are not designed, tested or approved to protect against backpressure backflow. For protection against backpressure backflow, install Watts Series LF909 or Series LF009 reduced pressure principle backflow preventers.

\*The wetted surface of this product contacted by consumable water contains less than 0.25% of lead by weight.

**WATTS®**

## Materials

Body: Lead Free\* brass

Disc: Silicone

## Pressure – Temperature

Maximum Temperature: 180°F (82°C)

Maximum Working Pressure: 125psi (8.6 bar)

## Installations

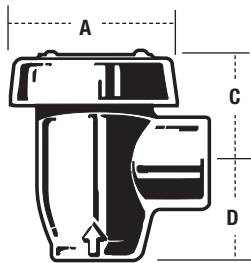
Atmospheric VB must be installed 6" (152mm) above the highest point on the downstream piping. There can be no shutoff valves downstream of an AVB.

## Approvals

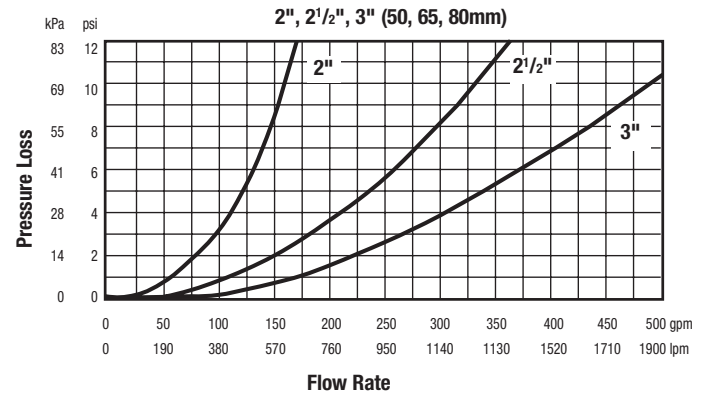
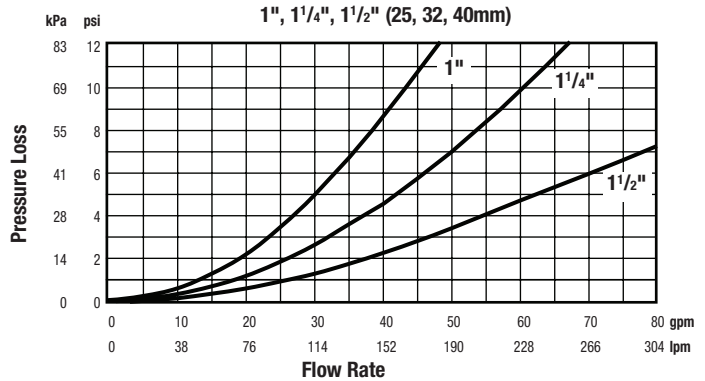
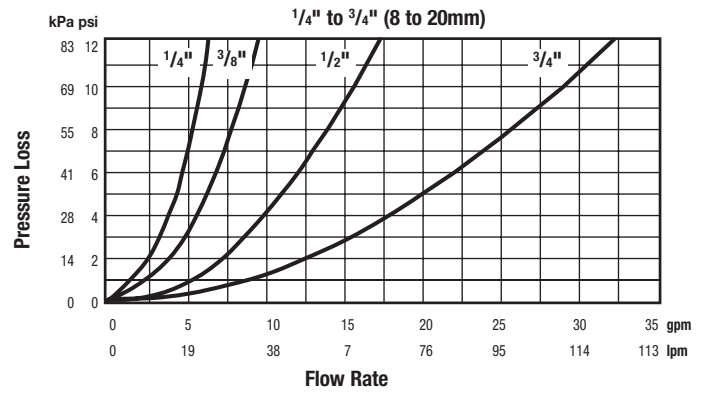


Certified thru 1" (25mm) CSA

## Dimensions – Weights



## Capacities



SIZE (DN)		DIMENSIONS								WEIGHT	
in.	mm	A		B		C		D		oz.	gm.
		in.	mm	in.	mm	in.	mm	in.	mm		
1/4	8	1 3/4	44	2 1/4	57	1 1/4	32	1	25	6	170
3/8	10	1 3/4	44	2 1/4	57	1 1/4	32	1	25	6	170
1/2	15	2	50	2 3/4	70	1 1/2	38	1 1/4	32	8	227
3/4	20	2 1/4	57	3	76	1 1/2	38	1 1/2	38	18	510
1	25	2 7/8	73	3 5/8	92	1 7/8	48	1 3/4	44	28	794
1 1/4	32	2 7/8	73	3 3/4	95	1 7/8	48	1 7/8	48	34	964
1 1/2	40	3 5/8	92	4 1/2	114	2 1/4	57	2 1/4	57	54	1531
2	50	4	100	5 1/8	130	2 5/8	67	2 1/2	64	84	2381
2 1/2	65	6 1/2	165	7 1/2	191	4 1/2	114	3	76	256	7258
3	80	6 1/2	165	8	200	4 5/8	117	3 3/8	86	274	7768



A Watts Water Technologies Company



ISO 9001-2008  
CERTIFIED

USA: Tel: (978) 688-1811 • Fax: (978) 794-1848 • www.watts.com  
Canada: Tel: (905) 332-4090 • Fax: (905) 332-7068 • www.watts.ca