

Female NPT Thread
5,000 CWP (psig)
NACE MR0175 (2000) & MR0103 (2012)

FEATURES

- Backseat stem design reduces pressure exerted on the packing, prolonging packing life. Design also prevents stem from being accidentally turned out of the valve.
- Integral metal-to-metal seat design.
- Externally adjustable PTFE packing is standard, graphoil available as an option.
- Malleable iron handle for long lasting, reliable service.
- All valves 100% pressure tested
- Fully threaded bonnet to accommodate optional panel mounting nut.
- Locking bonnet option available.
- All pressure retaining parts constructed of ASTM materials.
- Meets the requirements of MSS SP-99 & SP-105.

VARIATIONS AVAILABLE

- 60A-72x Series (Socket Weld End Connection)

OPTIONS AVAILABLE

(MORE INFORMATION IN SECTION J)

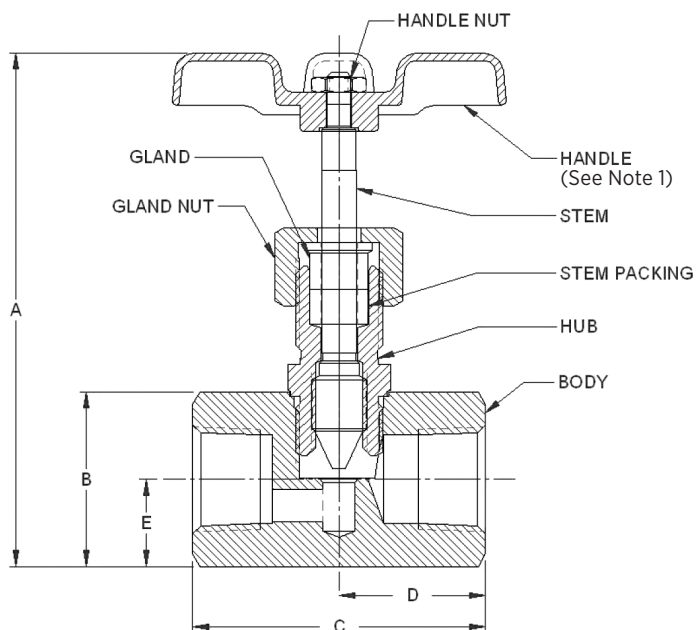
(SUFFIX)	OPTION	SIZES
-01	Standard Configuration	All
-07-	Steel Tee Handle (See Note 1)	1/4" to 1/2"
-09-	Lock Bonnet	1/4" to 1"
-24-	Graphite Packing	1/4" to 1"
-57-	Oxygen Cleaned	1/4" to 1"
-88-	Panel Mount	1/4" to 1"

Pressure/Temperature Ratings - Page M-22, Graph No. 29

STANDARD MATERIAL LIST

	PART	MATERIAL
1	Body	ASTM A276 316 Stainless Steel
2	Hub	ASTM A276 316 Stainless Steel
3	Stem	ASTM A276 Stainless Steel
4	Stem Packing	PTFE
5	Gland	ASTM B525
6	Gland Nut	ASTM A276 316 Stainless Steel
7	Handle ¹	ASTM A47 Malleable Iron, Zinc Phosphate Finish
8	Handle Nut	Carbon Steel, Zinc Plated

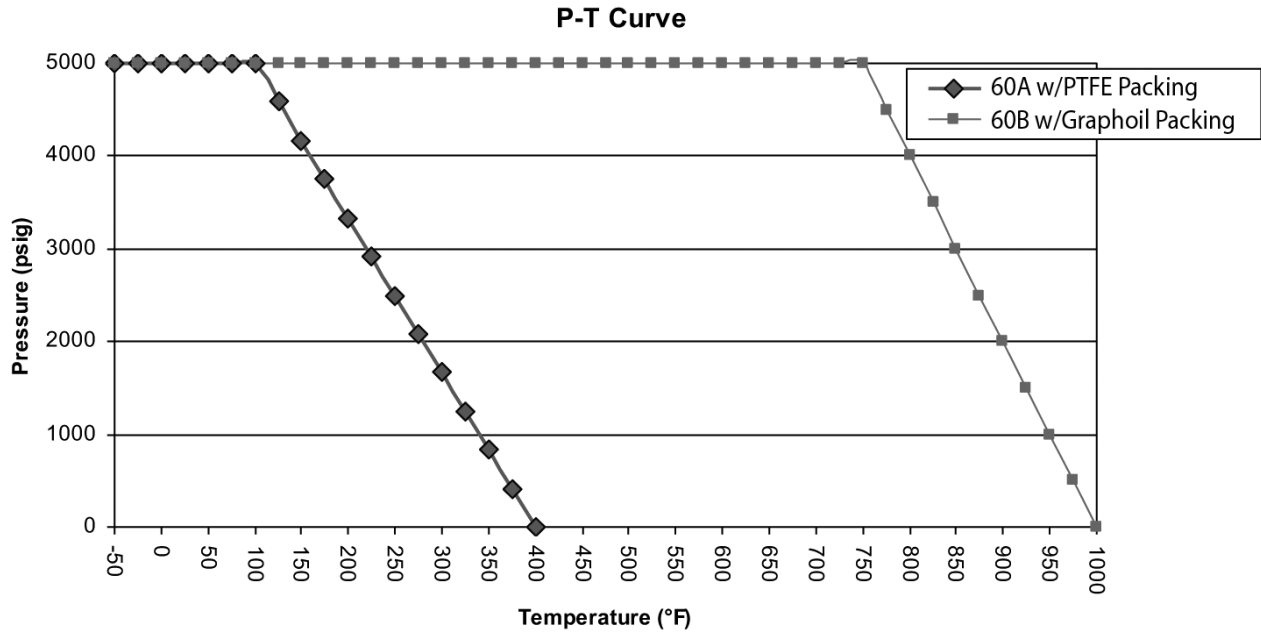
Note 1:
1/2" and smaller come standard with cross handle
3/4" and 1" sizes come standard with tee handle



DIMENSIONS

PART NO.	SIZE	A MIN.	A MAX.	B	C	D	E	CV	WT.
60A-701-01	1/4"	3.8	4.1	1.38	2.25	1.13	0.69	0.6	1.23
60A-702-01	3/8"	3.8	4.1	1.38	2.25	1.13	0.69	0.9	1.19
60A-703-01	1/2"	3.8	4.1	1.38	2.75	1.38	0.69	0.8	1.64
60A-704-01	3/4"	4.9	5.4	2.00	3.19	1.60	1.00	2.7	3.34
60A-705-01	1"	4.9	5.4	2.00	3.62	1.81	1.00	2.6	4.24

60A METAL SEATED, GLOBE PATTERN VEE-TIP, NEEDLE VALVES GRAPH 29



60B METAL SEATED, GLOBE PATTERN VEE-TIP, NEEDLE VALVES GRAPH 30

