

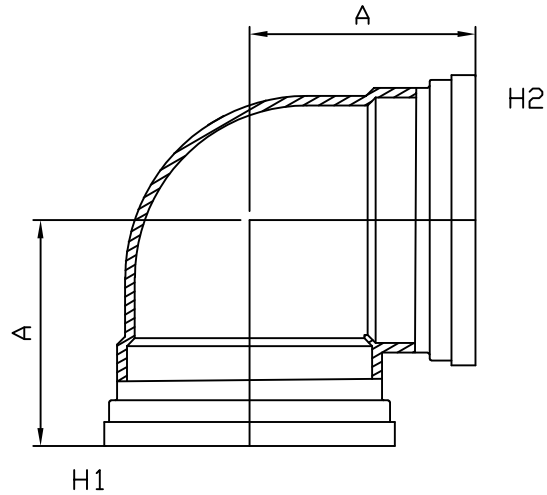


MULTI FITTINGS

LAYING LENGTH

ISSUE DATE: MAR 26/18
SUPERCEDES: OCT 30/17

90° SHORT ELBOW (GxG) (1/4 BEND)



INJECTION MOLDED FITTING <M>

	SIZE H1xH2	PART NUMBER	A REF
<>M =	4x4	043235	4.750
M =	6x6	063216	6.125
M =	8x8	063217	7.750
M =	10x10	063218	9.375
M =	12x12	043219	10.750
M =	15x15	063031	12.875

Note: = Refer to Page G4 for Hub Detail, Type A
<> Deep Hub - Page G4 - Type A