

**CHICAGO FAUCETS**  
a Geberit company

2100 South Clearwater Drive  
Des Plaines, IL 60018  
Phone: 847-803-5000  
Fax: 847-803-5454  
www.chicagofaucets.com

**REPAIR PARTS**

FITTING NO.

**50-E35-317XKABCP**

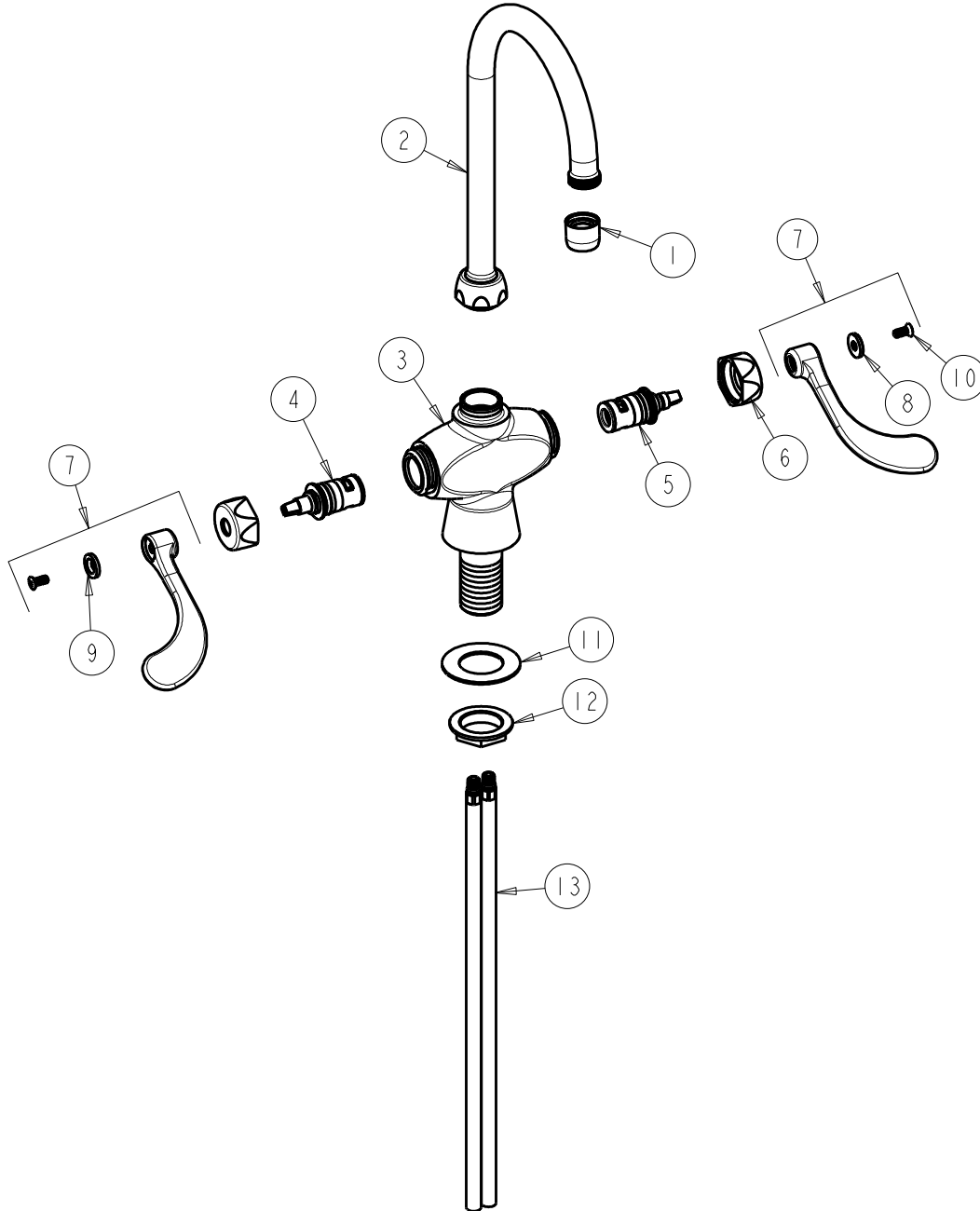
SUBMITTED MODEL NO.

ITEM NO.

BY: JAR DATE: 05-03-12

CHK: *JL* REV:

**FOR TECHNICAL ASSISTANCE**  
1-800-TEC-TRUE (1-800-832-8783)



ITEM	PART NO.	DESCRIPTION	ITEM	PART NO.	DESCRIPTION
1	E35JKCP	SOFTFLO AERATOR 1.5 GPM	8	633-123JKNF	INDEX BUTTON (BLUE)
2	GN2AJKABCP	GN SPOUT PLAIN END	9	633-023JKNF	INDEX BUTTON (RED)
3	-----	VALVE BODY (NOT SOLD SEPARATELY)	10	420-010JKRCF	SCREW, 10-32 UNC PH 1/2
4	1-100XKJKABNF	LH CERAMIC CARTRIDGE 1/4	11	50-014JKNF	STEEL WASHER
5	1-099XKJKABNF	RH CERAMIC CARTRIDGE 1/4	12	50-003JKRBF	LOCKNUT
6	444-005JKCP	CAP	13	50-101KJKNF	SUPPLY TUBE ASSEMBLY
7	317-PRJKCP	HANDLE, 4" WRISTBLADE (PAIR)			