



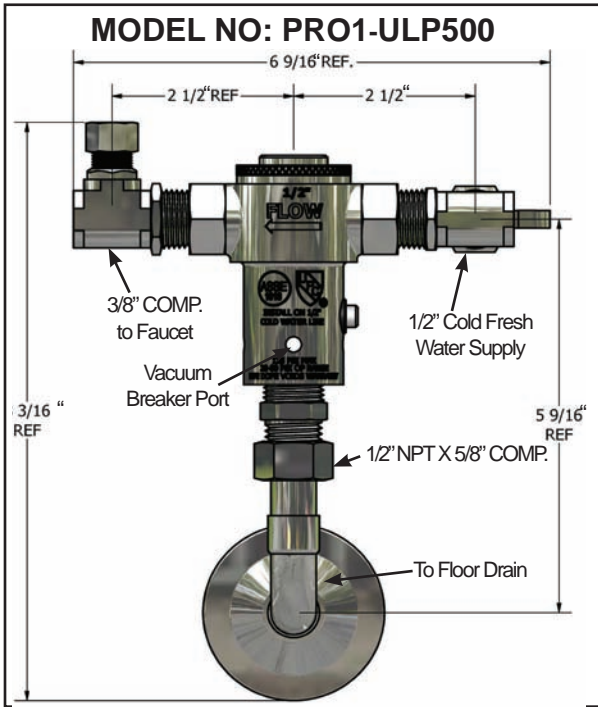
**Precision Plumbing Products**

*"Specify with Confidence - Install with Pride"*

**LOW LEAD**

**UNDER-LAV TRAP PRIMER VALVE  
SUBMITTAL**

www.pppinc.net



**INSTALLATION INSTRUCTIONS PRO1-ULP500**

- 1) Flush supply line prior to installation.
- 2) Use ribbon pipe seal tape - ONLY. Install valve plumb, observing the flow direction marked on the valve. **Do not over tighten.**
- 3) The valve must be installed a minimum of 12" (305mm) above the finished floor.
- 4) Do not install the valve where line pressures exceed 80 PSIG. **This valve should never be installed on a hot water line. Install on a cold fresh water line ONLY.**
- 5) Effective operating range 20 to 80 PSIG (138 to 552kpa).
- 6) The Valve must not be installed on a bypass.
- 7) Failure to follow these instructions will make the product warranty null and void.
- 8) Manufacturer recommends that the P-trap make-up water line must have a continuous slope. (Consult local code requirements).

**Bill of materials:**

- Body and Cap: Chrome Plated
- Check Valve: Neoperl
- O-Rings: Nitrile
- Screen: Stainless Steel

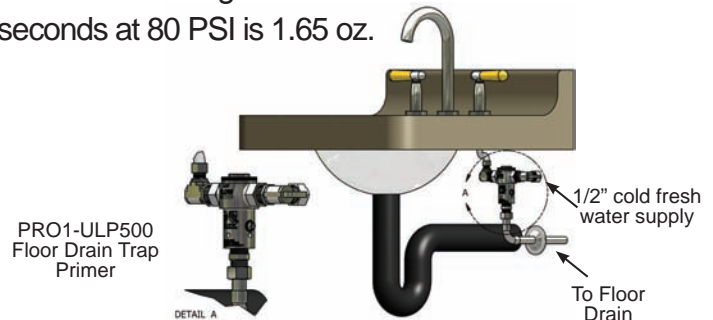
**Chrome Plated items:**

- Angle stop w/ 5/8" comp. fitting
- 3/8" comp. Lav supply fitting
- 1/2" NPTx 5/8" comp.
- 1/2" I.D. copper tube
- Escutcheon

**Under-Lav Trap Primer Discharge Info:**

Minimum discharge rate when flow is activated for 5 seconds at 20 PSI is 0.845 oz.

Minimum discharge rate when flow is activated for 5 seconds at 80 PSI is 1.65 oz.



The Priming valve must have a minimum elevation of 12" (305mm) above the finished floor. Allow 1 foot of elevation for every 20 feet of horizontal run to floor drain.

**PROJECT SUBMITTAL**

Project: \_\_\_\_\_

Contractor: \_\_\_\_\_

Engineer: \_\_\_\_\_

Date Submitted: \_\_\_\_\_

Prepared By: \_\_\_\_\_

Meets the requirements of AB 1953.

PATENT NO. 4,497,337



**Precision Plumbing Products**

Division of JL industries, inc.

Airport Business Center  
6807 NE 79th Court, Suite E  
Portland, Oregon 97218

T (503) 256-4010  
F (503) 253-8165

www.pppinc.net



Complies with low lead law.

