

PFX462 Series

Low-Lead PEX Ball Valves



Product Features

- Full port 2-piece ball valve
- 400 WOG
- Certified to NSF 372 requirements
- PEX end designated to ASTM F-1807
- Not for use at or below ground level
- Operating temperature -4°F–212°F
- Body material: Dezincification-resistant brass (C46500)

Codes and Certifications



- cUPC NSF/ANSI372
- Low-lead compliant



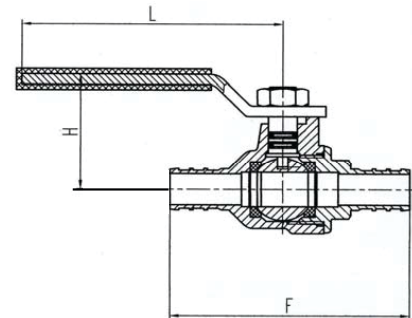
PFX462G

Model

PFX462D	1/2" LF PEX Ball Valve
PFX462F	3/4" LF PEX Ball Valve
PFX462G	1" LF PEX Ball Valve

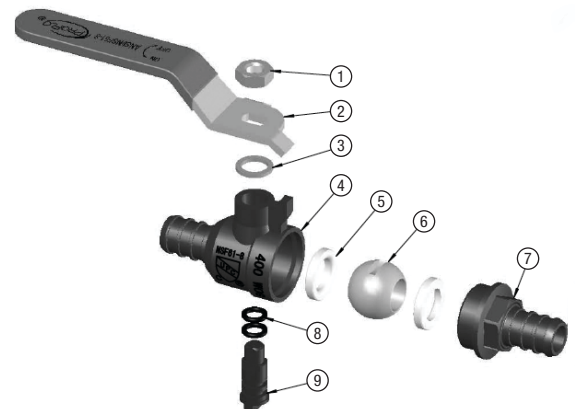
Product Specifications

Part No.	Description	L		H		F	
		in	mm	in	mm	in	mm
PFX462D	1/2" LF PEX BV	2.952	75	1.488	37.8	2.519	64
PFX462F	3/4" LF PEX BV	3.169	80.5	1.566	39.8	2.618	66.5
PFX462G	1" LF PEX BV	4.173	106	1.968	50	3.228	82



Parts

No.	Description	Material Type	Qty
1	Hex Nut	Steel	1
2	Handle	Steel	1
3	Washer	PTFE	1
4	Body	Brass	1
5	Seats	PTFE	2
6	Ball	Brass	1
7	End Adapter	Brass	1
8	O-ring	EPDM	2
9	Stem	Brass	1



For detailed warranty information, visit ferguson.com/PROFLO-1-year-warranty.