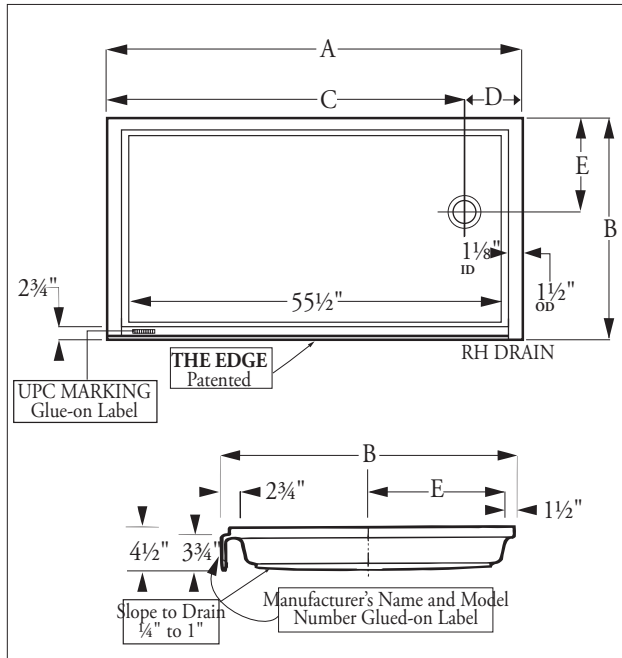




One piece, single threshold model for recessed installation. Features 1" flange on three remaining sides. End drain.

Specify RH or LH Drain



One piece, single threshold model for recessed installation. Features 1" flange on three remaining sides. End drain.

#### MOLDED FIBERGLASS END-DRAIN SHOWER RECEPTORS

Model	A	B	C	D	E	WT.
3060F	60"	30"	52"	8"	15"	45
3260F	60"	32"	52"	8"	15"	45

**Dimensions subject to change without notice.**

**Contact Florestone Products to verify product specifications.**

#### Standards:

I.A.P.M.O. International Association of Plumbing and Mechanical Officials  
File No. 0687.

ANSI American National Standards Institute - Specifications Z-124.2.



## Florestone Model 3060F & Model 3260F Molded Fiberglass Shower Receptor with THE EDGE

60" x 30"

Weight: 45 lbs.

### Architect's Specifications

Furnish and install one piece shower unit Model 3060F and 3260F as manufactured by Florestone Products Company. Unit to be manufactured of gel-coated fiberglass meeting Class C Flame Retardance and to be supplied with slip-resistant floor laminated for extra rigidity. Color will be white (unless otherwise specified). Unit to be supplied with a 2" PNC non-caulk drain.

Standard Color: White

Optional Colors

Color matching most major manufacturers' colors are available.

### Colors

Standard: White, Bone, Biscuit

Special: Granite (see pg. 12)

**Dimensions may vary  $\pm$  1/4" inch.**

**Please check unit before installation.**

**Place receptor on a bed of mortar or plaster for warranty compliance.**



**FLORESTONE PRODUCTS CO., INC.**

2851 Falcon Drive • Madera, CA 93637

T. 559.661.4171 • T. 800.446.8827

F. 559.661.2070 • florestone.com