

BrassCraft®



WATER STOPS & CONNECTORS

TABLE OF CONTENTS

1/4 Turn Supply Stops.....	7-17	Installation Kits	45-46
Multi-Turn Supply Stops.....	19-24	Water Heater Connectors	47-50
Dual Outlet Supply Stops	25-26	Brass Fittings.....	52-56
Dual Outlet, Dual Shut-Off Supply Stops....	27-28	Waste Connectors.....	57-58
Needle & Humidifier Valves	29	Component Parts	59-60
Water Supply Connectors.....	32-39	Water Supply Accessories	61
Supply Kits	41-43	Specifications	62-73
Water Connectors	44	Index	74-78

BrassCraft®

PROS WHO KNOW CHOOSE BRASSCRAFT.®

With our broad selection of products, features and configurations, BrassCraft has solutions pros need. And, most importantly, we stand behind our products and the pros who use them. Our products are made to stand up to the toughest jobs and scrutiny. They're built with pride and crafted with quality, for a job done right the first time. Pros put their craft, customers and character first. For us, it's quality they can count on.

QUALITY BRASSCRAFT PRODUCTS TO FINISH THE JOB RIGHT



WATER STOPS



WATER CONNECTORS



GAS SUPPLIES



DRAIN & REPAIR TOOLS

A FULL LINEUP OF WATER STOPS FOR EVERY NEED

As the leading manufacturer of water stops for over 75 years, BrassCraft® is the brand plumbers trust to provide high-quality, reliable products with no callbacks. With a broad selection of connection types and added features, BrassCraft has a stop to meet a pro's every need.



CONNECTION TYPE	MULTI-TURN	KT QUARTER-TURN	G2 QUARTER-TURN
COMPRESSION	X	X	X
FIP	X	X	X
SWEAT	X	X	
CPVC	X	X	X
PUSH CONNECT			X
PEX-COLD EXPANSION	X		X
PEX-CRIMP	X	X	X
PRESS CONNECT			X



To learn more about BrassCraft's products, visit the BrassCraft YouTube channel.



SPECIAL FINISH™

DECORATIVE PLUMBING PRODUCTS AND ACCESSORIES

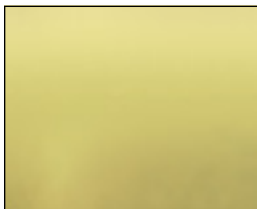


BrassCraft®

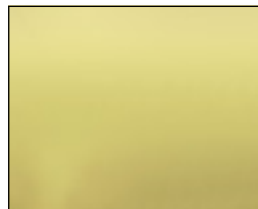


All Special Finish Orders Are Non-Cancellable & Non-Returnable

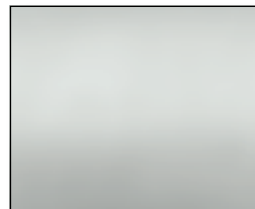
FINISHES AVAILABLE



Polished Brass PVD
Suffix "BRL"



Polished Brass
Suffix "P"



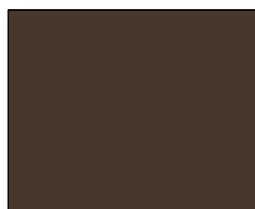
Polished Nickel
Suffix "NP"



Stainless Steel PVD
Suffix "SS"



Satin Nickel
Suffix "NS"



Oil Rubbed Bronze
Suffix "BZ"



White
Suffix "W"

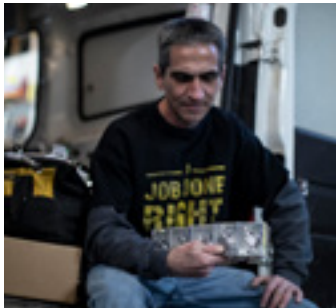


BrassCraft®

WATER STOPS

SETTING THE STANDARD FOR QUALITY, RELIABLE PERFORMANCE.

Securing your reputation starts with the right stop. BrassCraft stops are trusted on copper, iron pipe, CPVC and PEX. From 1/4 turn to multi-turn, they come in a wide range of configurations to meet your installation needs. Simply put, they are industry standard. Trust BrassCraft water stops to lock in a job well done.



PRODUCT HIGHLIGHTS

- Compression, Sweat, CPVC, PEX, Press Connect and Push Connect
- Options include metal stems, lock shields, dual outlets, dual shut-offs, finishes and kits, stuffing boxes, and handles
- Low-lead certified

MULTI-TURN WATER SUPPLY STOPS



- Machined one-piece brass body provides strength, durability and long-lasting performance
- Easy-to-remove handle protects against accidental stop operation during rough-ins
- Oval-knurled handle provides a secure grip and smooth on/off operation
- Dual-outlet configurations available

1/4 TURN WATER SUPPLY STOPS KTT™ SERIES



- BrassCraft's premium water stop
- Quality brass ball valve with PTFE seats for easy operation and a secure seal
- Machined one-piece brass body for strength, durability, and quality construction
- Easy-to-remove handle to protect against accidental operation during rough-ins
- For recirculating water systems above 115° F
- Dual-outlet configurations available
- 100% leak-tested

1/4 TURN WATER SUPPLY STOPS G2™ SERIES

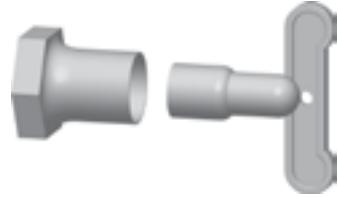


- 1/4 turn shut-off
- One-piece shut-off mechanism provides smooth operation
- Machined one-piece brass body provides strength, durability, and long-lasting performance
- Easy-to-remove handle protects against accidental stop operation during rough-ins
- 100% leak-tested

Variations*

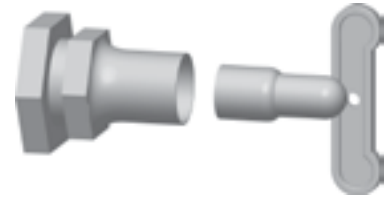
Lock Shield, Loose Key (Add Prefix S)

Stops
Faucet Kits
Toilet Kits



Stuffing Box, Lock Shield, Loose Key (Add Prefix ST)

Stops
Faucet Kits
Toilet Kits



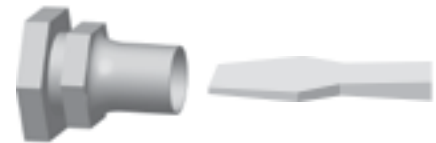
Lock Shield, Screwdriver Slot (Add Prefix SS)

Stops
Faucet Kits
Toilet Kits



Stuffing Box, Lock Shield, Screwdriver Slot (Add Prefix SST)

Stops
Faucet Kits
Toilet Kits



Stuffing Box (Add Prefix T)

Stops
Faucet Kits
Toilet Kits



Cross Handle (Add Prefix X)

Stops
Faucet Kits
Toilet Kits



Brass Stem (Non-Sweat) (Add Suffix Z)

Valve/Kit



Round (Brass) Handle (Add Prefix XX)

Stops
Faucet Kits
Toilet Kits



* Not available with all stops and kits.

1/4 TURN WATER SUPPLY STOPS

KT™ Series

1/4 turn ball stops offer superior quality and performance. Additional features and benefits include:

- Positive 1/4 turn shut-off
- Precision machined brass ball is specially engineered and mated with PTFE seats to provide smooth operation
- Two high-performance o-rings withstand high temperatures and corrosion
- Dual Outlet and Dual Outlet/Dual Shut-Off configurations available
- 100% leak tested
- Designed, machined and assembled in the USA*

G2™ Series

1/4 turn technology offers durable construction and proven performance. Additional features and benefits include:

- Positive 1/4 turn shut-off
- One-piece shut-off mechanism provides smooth operation
- Machined one-piece brass body provides strength, durability, and long lasting performance
- Easy-to-remove handle protects accidental stop operation during rough-ins
- 100% leak tested
- Designed, machined and assembled in the USA*



Dual Outlet, Dual Shut-Off, Press Connect
excluded from Designed, Machined and
Assembled in the U.S.A.



Part Numbering System

Example:



K T

Stop Style

1/4 Turn
Ball Stop

C R

Stop Type

Compression
Inlet

1

Outlet

3/8" OD
(1/4" Nom)

9

Inlet

1/2"
Nominal
Copper,
Angle

F

Option

Female
Compression

X

Compliant

C

Finish

Chrome

1

Packaging

Individually
Boxed

K T

Stop Style

KT 1/4 Turn Ball Stop

KTS 1/4 Turn Ball Stop w/Loose Key

C R

Stop Type

CR Compression Inlet

PR CPVC Inlet

R Iron Pipe or Sweat Inlet

BRPX Barbed PEX Inlet

CS Sweat Extension Inlet

33 Slip-Joint Outlet

1

Outlet

0 1/4" OD

1 3/8" OD (1/4" Nom)

3 1/2" OD (3/8" Nom)

4 5/8" OD (1/2" Nom)

9

Inlet

0 3/8" FIP, Straight

1 3/8" OD Compression (1/4" Nom)

2 1/2" FIP, Straight

4 1/2" Nominal Copper, Straight

5 3/8" FIP, Angle

7 1/2" FIP, Angle

9 1/2" Nominal Copper, Angle

For Slip-Joint Outlets:

01 1/2" FIP Inlet, Angle

05 1/2" FIP Inlet, Straight

41 1/2" Nom Comp Inlet, Angle

45 1/2" Nom Comp Inlet, Straight

For Sweat Extension Inlets:

40 1/2" Nom Sweat x 3/8" OD Comp, Angle

41 1/2" Nom Sweat x 3/8" OD Comp, Straight

F

Option (Modifier)

F Female Compression

For Sweat Extension Inlets:

B With Escutcheon

X

Compliant

X 100% Compliant

C

Finish

C Chrome Plated

R Rough/Unplated

For Sweat Extension Inlets:

C Chrome Plated, Boxed

R Rough/Unplated, Boxed

1

Packaging (Modifier)

1 Individually Boxed (These stops are highlighted in **bold print** in this catalog).

PART NO.	UPC	DESCRIPTION	FINISH	QTY	LBS
Compression x Compression - Angle					
KTCR09X C	026613135595	1/2" Nom Comp x 1/4" OD Comp	Chrome	60	16.7
KTCR09X C1	026613144795	1/2" Nom Comp x 1/4" OD Comp	Chrome	20	5.8
KTCR09X R	026613135601	1/2" Nom Comp x 1/4" OD Comp	Rough	60	16.6
KTCR19X C	026613138688	1/2" Nom Comp x 3/8" OD Comp	Chrome	60	17.0
KTCR19X C1	026613144801	1/2" Nom Comp x 3/8" OD Comp	Chrome	20	5.9
KTCR39X C	026613138367	1/2" Nom Comp x 1/2" OD Comp	Chrome	60	18.7



Compression x Compression - Straight					
KTCR04X C1	026613172583	1/2" Nom Comp x 1/4" OD Comp	Chrome	20	5.5
KTCR04X R	026613153155	1/2" Nom Comp x 1/4" OD Comp	Rough	60	15.7
KTCR11X C	026613150093	1/4" Nom Comp x 3/8" OD Comp	Chrome	60	14.7
KTCR14X C	026613138626	1/2" Nom Comp x 3/8" OD Comp	Chrome	60	16.1
KTCR14X C1	026613144764	1/2" Nom Comp x 3/8" OD Comp	Chrome	20	5.6
KTCR34X C	026613150130	1/2" Nom Comp x 1/2" OD Comp	Chrome	60	17.7
KTCR11FX C	026613142371	3/8" OD Fem Comp x 3/8" OD Comp	Chrome	60	15.3
KTCR11FX C1	026613142494	3/8" OD Fem Comp x 3/8" OD Comp	Chrome	20	5.3



Compression x Slip-Joint - Angle					
KT3341X C	026613138848	1/2" Nom Comp x 7/16" & 1/2" Slip-Joint	Chrome	60	19.0
KT3341X C1	026613144788	1/2" Nom Comp x 7/16" & 1/2" Slip-Joint	Chrome	20	6.5



Compression x Slip-Joint - Straight					
KT3345X C	026613138794	1/2" Nom Comp x 7/16" & 1/2" Slip-Joint	Chrome	60	18.1



FIP x Compression - Angle					
KTR15X C	026613142333	3/8" FIP x 3/8" OD Comp	Chrome	60	15.4
KTR15X C1	026613144825	3/8" FIP x 3/8" OD Comp	Chrome	20	5.3
KTR07X C	026613138053	1/2" FIP x 1/4" OD Comp	Chrome	60	18.6
KTR17X C	026613138718	1/2" FIP x 3/8" OD Comp	Chrome	60	18.9
KTR17X C1	026613144849	1/2" FIP x 3/8" OD Comp	Chrome	20	6.5
KTR37X C	026613138060	1/2" FIP x 1/2" OD Comp	Chrome	60	20.5



FIP x Compression - Straight					
KTR10X C	026613144535	3/8" FIP x 3/8" OD Comp	Chrome	60	14.6
KTR12X C	026613137841	1/2" FIP x 3/8" OD Comp	Chrome	60	18.1
KTR12X C1	026613144900	1/2" FIP x 3/8" OD Comp	Chrome	20	6.2



FIP x Slip-Joint - Angle					
KT3301X C	026613137056	1/2" FIP x 7/16" OD & 1/2" Slip-Joint	Chrome	60	20.9





PART NO.	UPC	DESCRIPTION	FINISH	QTY	LBS
Sweat x Compression - Angle					
KTR09X C	026613150154	1/2" Nom Sweat x 1/4" OD Comp	Chrome	60	15.1
KTR19X C	026613144528	1/2" Nom Sweat x 3/8" OD Comp	Chrome	60	15.3
KTR19X C1	026613136103	1/2" Nom Sweat x 3/8" OD Comp	Chrome	20	5.3
KTR19X R	026613144856	1/2" Nom Sweat x 3/8" OD Comp	Rough	60	15.3



Sweat x Compression - Angle With 5" Sweat Extension Tube					
KTCS40BX C	026613138350	1/2" Nom Sweat x 3/8" OD Comp With Bell Escutcheon	Chrome	30	13.7



Sweat x Compression - Straight With 5" Sweat Extension Tube					
KTCS41BX C	026613144740	1/2" Nom Sweat x 3/8" OD Comp With Bell Escutcheon	Chrome	30	13.3



Sweat x Compression - Straight					
KTR04X R	026613137612	1/2" Nom Sweat x 1/4" OD Comp	Rough	60	13.7
KTR14X C	026613144870	1/2" Nom Sweat x 3/8" OD Comp	Chrome	60	14.6
KTR14X C1	026613135991	1/2" Nom Sweat x 3/8" OD Comp	Chrome	20	5.1
KTR14X R	026613144887	1/2" Nom Sweat x 3/4" OD Comp	Rough	60	14.1



†Crimp PEX Barb x Compression - Angle					
KTBRPX19X C	026613150062	1/2" Nom Barb x 3/8" OD Comp	Chrome	60	15.1



†Crimp PEX Barb x Compression - Straight					
KTBRPX14X C	026613150055	1/2" Nom Barb x 3/8" OD Comp	Chrome	60	13.9



†Crimp PEX Barb x Barb - Straight					
KTBRPX44X C	026613136745	1/2" Nom Barb x 1/2" Nom Barb	Chrome	60	12.7



ΔCPVC Solvent Weld x Compression - Angle					
KTPR19X C	026613138374	1/2" Nom CPVC x 3/8" OD Comp	Chrome	60	17.3
KTPR19X C1	026613144818	1/2" Nom CPVC x 3/8" OD Comp	Chrome	20	6.0

† For Brass "Crimp PEX" fittings and stops ASTM F1807

Δ CPVC pre-torqued fittings eliminate the need for tightening on the job.

PART NO.	UPC	DESCRIPTION	FINISH	QTY	LBS
Δ CPVC Solvent Weld x Compression - Straight					
KTPR04X R	026613150147	1/2" Nom CVPC x 1/4" OD Comp	Rough	60	16.0
KTPR14X C	026613138664	1/2" Nom CPVC x 3/8" OD Comp	Chrome	60	16.4
KTPR14X C1	026613144771	1/2" Nom CPVC x 3/8" OD Comp	Chrome	20	5.7



Δ CPVC pre-torqued fittings eliminate the need for tightening on the job.



PART NO.	UPC	DESCRIPTION	FINISH	QTY	LBS
Compression x Compression - Angle					
KTSCR19X C	026613136820	1/2" Nom Comp x 3/8" OD Comp	Chrome	60	19.6



Compression x Compression - Straight					
KTSCR14X C	026613140964	1/2" Nom Comp x 3/8" OD Comp	Chrome	60	18.6



FIP x Compression - Angle					
KTSR15X C	026613150178	3/8" FIP x 3/8" OD Comp	Chrome	60	18.0
KTSR17X C	026613138077	1/2" FIP x 3/8" OD Comp	Chrome	60	21.4



Sweat x Compression - Angle					
KTSR19X C	026613150185	1/2" Nom Sweat x 3/8" OD Comp	Chrome	60	17.9



Sweat x Compression - Straight					
KTSR14X C	026613153209	1/2" Nom Sweat x 3/8" OD Comp	Chrome	60	17.2



Sweat x Compression - Angle With 5" Sweat Extension Tube					
KTSCS40BX C	026613150161	1/2" Nom Sweat x 3/8" OD Comp With Bell Escutcheon	Chrome	30	15.9



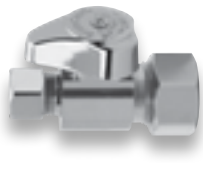
Sweat x Compression - Faucet Angle Supply Kit With 5" Sweat Extension Tube					
KTSCS400AX C	026613153193	1/2" Nom Sweat x 3/8" OD Comp x 12" Riser With Bell Escutcheon	Chrome	25	30.5



Sweat x Compression - Toilet Angle Supply Kit With 5" Sweat Extension Tube					
KTSCS401DLX C	026613155050	1/2" Nom Sweat x 3/8" OD Comp x 12" Riser With Bell Escutcheon	Chrome	50	34.3

Part Numbering System

Example:



G	2	C	R	1	9	P	X	X	C	1
Stop Style		Stop Type		Outlet	Inlet	Option		Compliant	Finish	Packaging
1/4 Turn Stop		Compression Inlet		3/8" OD (1/4" Nom)	1/2" Nominal Copper, Angle	Compression PEX Inlet			Chrome	Individually Boxed

G 2
Stop Style

Stop Style

G2 1/4 Turn Stop

C R
Stop Type

Stop Type

CR	Compression Inlet	BRPX	Barbed PEX Inlet
PR	CPVC Inlet	CEPX	Cold Expansion PEX Inlet
R	Iron Pipe Inlet	33	Slip-Joint Outlet
PS	Push Connect Inlet	QPS	Push Connect Outlet
		CP	Press Connect Inlet

1
Outlet

Outlet Size

0	1/4" OD	3	1/2" OD (3/8" Nom)
1	3/8" OD (1/4" Nom)	4	5/8" OD (1/2" Nom)

9
Inlet

Inlet Size & Style

0	3/8" FIP, Straight	For Slip-Joint Outlets:	
1	3/8" OD Compression (1/4" Nom)	01	1/2" FIP Inlet, Angle
2	1/2" FIP, Straight	05	1/2" FIP Inlet, Straight
4	1/2" Nominal Copper, Straight	41	1/2" Nom Comp Inlet, Angle
5	3/8" FIP, Angle	45	1/2" Nom Comp Inlet, Straight
7	1/2" FIP, Angle		
9	1/2" Nominal Copper, Angle		

P X
Option (Modifier)

Option

PX Compression PEX Inlet (w/Tube Insert)

X
Compliant

Compliant

X 100% Compliant

C
Finish

Finish

C	Chrome Plated, Trayed	R	Rough Unplated, Trayed
---	-----------------------	---	------------------------

1
Packaging (Modifier)

Packaging

1 Individually Boxed (These stops are highlighted in **bold print** in this catalog).

PART NO.	UPC	DESCRIPTION	FINISH	QTY	LBS
Compression x Compression - Angle					
G2CR09X C	026613138305	1/2" Nom Comp x 1/4" OD Comp	Chrome	60	14.6
G2CR09X C1	026613138312	1/2" Nom Comp x 1/4" OD Comp	Chrome	20	5.1
G2CR09X R	026613138329	1/2" Nom Comp x 1/4" OD Comp	Rough	60	14.5
G2CR19X C	026613135069	1/2" Nom Comp x 3/8" OD Comp	Chrome	60	14.1
G2CR19X C1	026613135809	1/2" Nom Comp x 3/8" OD Comp	Chrome	20	4.9
G2CR19X R	026613138534	1/2" Nom Comp x 3/8" OD Comp	Rough	60	14.1
G2CR39X C	026613144955	1/2" Nom Comp x 1/2" OD Comp	Chrome	60	16.3



Compression x Compression - Straight

G2CR11X C	026613145075	1/4" Nom Comp x 3/8" OD Comp	Chrome	60	13.5
G2CR11X C1	026613144757	1/4" Nom Comp x 3/8" OD Comp	Chrome	20	4.7
G2CR14X C	026613136929	1/2" Nom Comp x 3/8" OD Comp	Chrome	60	15.7
G2CR14X C1	026613135892	1/2" Nom Comp x 3/8" OD Comp	Chrome	20	5.4
G2CR14X R	026613136943	1/2" Nom Comp x 3/8" OD Comp	Rough	60	15.7
G2CR34X C	026613144986	1/2" Nom Comp x 1/2" OD Comp	Chrome	60	13.3
G2CR34X C1	026613145044	1/2" Nom Comp x 1/2" OD Comp	Chrome	20	5.9



Compression PEX x Compression - Angle

G2CR19PXX C	026613149608	1/2" Nom Comp x 3/8" OD Comp With Tube Insert	Chrome	60	14.7
-------------	--------------	---	--------	----	------



Compression x Slip-Joint - Angle

G23341X C	026613135243	1/2" Nom Comp x 7/16" & 1/2" OD Slip-Joint	Chrome	60	17.7
G23341X C1	026613135250	1/2" Nom Comp x 7/16" & 1/2" OD Slip-Joint	Chrome	20	6.1



Compression x Slip-Joint - Straight

G23345X C	026613135236	1/2" Nom Comp x 7/16" & 1/2" OD Slip-Joint	Chrome	60	13.3
-----------	--------------	--	--------	----	------



FIP x Compression - Angle

G2R15X C	026613145143	3/8" FIP x 3/8" OD Comp	Chrome	60	11.9
G2R15X C1	026613136059	3/8" FIP x 3/8" OD Comp	Chrome	20	4.2
G2R07X C	026613138336	1/2" FIP x 1/4" OD Comp	Chrome	60	14.8
G2R07X C1	026613138343	1/2" FIP x 1/4" OD Comp	Chrome	20	5.1
G2R07X R	026613144993	1/2" FIP x 1/4" OD Comp	Rough	60	14.8
G2R17X C	026613137926	1/2" FIP x 3/8" OD Comp	Chrome	60	14.9
G2R17X C1	026613135885	1/2" FIP x 3/8" OD Comp	Chrome	20	5.2
G2R17X R	026613145082	1/2" FIP x 3/8" OD Comp	Rough	60	14.9
G2R37X C	026613145006	1/2" FIP x 1/2" OD Comp	Chrome	60	16.9
G2R37X C1	026613145013	1/2" FIP x 1/2" OD Comp	Chrome	20	5.8



PART NO.	UPC	DESCRIPTION	FINISH	QTY	LBS
FIP x Compression - Straight					
G2R10X C	026613145037	3/8" FIP x 3/8" OD Comp	Chrome	60	13.2
G2R10X C1	026613137803	3/8" FIP x 3/8" OD Comp	Chrome	20	4.6
G2R12X C	026613138572	1/2" FIP x 3/8" OD Comp	Chrome	60	15.4
G2R12X C1	026613135953	1/2" FIP x 3/8" OD Comp	Chrome	20	5.3
FIP x Slip-Joint - Angle					
G23301X C	026613138411	1/2" FIP x 7/16" & 1/2" OD Slip-Joint	Chrome	60	17.8
G23301X C1	026613135724	1/2" FIP x 7/16" & 1/2" OD Slip-Joint	Chrome	20	6.1
FIP x Slip-Joint - Straight					
G23305X C	026613137735	1/2" FIP x 7/16" & 1/2" OD Slip-Joint	Chrome	60	18.1
G23305X C1	026613137742	1/2" FIP x 7/16" & 1/2" OD Slip-Joint	Chrome	20	6.3
†Crimp PEX Barb x Compression - Angle					
G2BRPX09X C	026613160252	1/2" Nom Crimp Barb x 1/4" OD Comp	Chrome	60	10.5
G2BRPX19X C	026613137568	1/2" Nom Crimp Barb x 3/8" OD Comp	Chrome	60	10.9
G2BRPX19X C1	026613172484	1/2" Nom Crimp Barb x 3/8" OD Comp	Chrome	20	3.8
†Crimp PEX Barb x Compression - Straight					
G2BRPX14X C	026613149578	1/2" Nom Crimp Barb x 3/8" OD Comp	Chrome	60	12.4
G2BRPX14X C1	026613172491	1/2" Nom Crimp Barb x 3/8" OD Comp	Chrome	20	4.3
†Crimp PEX Barb x Barb - Straight					
G2BRPX44X C	026613139821	1/2" Nom Crimp Barb x 1/2" Nom Barb	Chrome	60	11.5
‡Cold Expansion PEX Barb x Compression - Angle					
G2CEPX09X C	026613163826	1/2" Nom Cold Expansion Barb x 1/4" OD Comp	Chrome	60	11.3
G2CEPX19X C	026613141589	1/2" Nom Cold Expansion Barb x 3/8" OD Comp	Chrome	60	14.9



† For Brass "Crimp PEX" fittings and stops ASTM F1807
 ‡ For Brass "Cold Expansion PEX" fittings and stops ASTM F1960

PART NO.	UPC	DESCRIPTION	FINISH	QTY	LBS
‡Cold Expansion PEX Barb x Compression - Straight					
G2CEPX04X C	026613144733	1/2" Nom Cold Expansion Barb x 1/4" OD Comp	Chrome	60	12.7



G2CEPX14X C	026613141565	1/2" Nom Cold Expansion Barb x 3/8" OD Comp	Chrome	60	13.3
-------------	--------------	---	--------	----	------



ΔCPVC Solvent Weld x Compression - Angle

G2PR19X C	026613142357	1/2" Nom CPVC x 3/8" OD Comp	Chrome	60	14.5
G2PR19X C1	026613144924	1/2" Nom CPVC x 3/8" OD Comp	Chrome	20	5.0
G2PR19X R	026613144931	1/2" Nom CPVC x 3/8" OD Comp	Rough	60	14.5



ΔCPVC Solvent Weld x Compression - Straight

G2PR14X C	026613142364	1/2" Nom CPVC x 3/8" OD Comp	Chrome	60	16.1
G2PR14X C1	026613144917	1/2" Nom CPVC x 3/8" OD Comp	Chrome	20	5.5



Push Connect x Compression - Angle

G2PS09X C	026613142180	1/2" Nom Push Connect x 1/4" OD Comp	Chrome	60	16.4
G2PS19X C	026613142128	1/2" Nom Push Connect x 3/8" OD Comp	Chrome	60	16.6
G2PS19X C1	026613142111	1/2" Nom Push Connect x 3/8" OD Comp	Chrome	20	5.7



Push Connect x Push Connect - Angle

G2QPS19X C	026613145204	1/2" Nom Push Connect x 3/8" OD Push Connect	Chrome	60	17.8
------------	--------------	--	--------	----	------



Push Connect x Compression - Straight

G2PS14X C	026613142142	1/2" Nom Push Connect x 3/8" OD Comp	Chrome	60	17.1
G2PS14X C1	026613142135	1/2" Nom Push Connect x 3/8" OD Comp	Chrome	20	5.9



Push Connect x Push Connect - Straight

G2QPS14X C	026613145198	1/2" Nom Push Connect x 3/8" OD Push Connect	Chrome	60	18.1
------------	--------------	--	--------	----	------



Push Connect Combination Removal Tool

PCT-10-6	026613142197	1/2" Nom and 1/4" Nom Combination Removal Tool		10	0.4
----------	--------------	--	--	----	-----



‡ For Brass "Cold Expansion PEX" fittings and stops ASTM F1960
 Δ CPVC pre-torqued fittings eliminate the need for tightening on the job.

PART NO.	UPC	DESCRIPTION	FINISH	QTY	LBS
Press Connect Inlet - Straight					
G2CP04X C1	026613182452	1/2" Nominal Press Connect Inlet x 1/4" OD Outlet	Chrome	20	4.7
G2CP14X C1	026613182476	1/2" Nominal Press Connect Inlet x 3/8" OD Outlet	Chrome	20	4.7



Press Connect Inlet - Angle					
G2CP09X C1	026613182469	1/2" Nominal Press Connect Inlet x 1/4" OD Outlet	Chrome	20	5.2
G2CP19X C1	026613182483	1/2" Nominal Press Connect Inlet x 3/8" OD Outlet	Chrome	20	5.1



BrassCraft®

MULTI-TURN WATER SUPPLY STOPS

The Industry Standard for Quality and Reliability.

Features and benefits include:

- Machined one-piece brass body provides strength, durability and long-lasting performance
- Easy-to-remove handle protects against accidental stop operation during rough-ins
- Oval knurled handle provides a secure grip and smooth on/off operation
- Dual Outlet and Dual-Outlet, Dual Shut-Off configurations available
- Designed, machined and assembled in the USA



Dual Outlet, Dual Shut-Off, Press Connect
excluded from Designed, Machined and
Assembled in the U.S.A.



Part Numbering System

Example:



0	R	1	9	P	X	X	C	1
Stop Type	Outlet Size	Inlet	Options	Compliant	Finish	Packaging		
Iron Pipe Inlet	3/8" OD (1/4" Nom)	1/2" Nominal Copper, Angle	Compression PEX Inlet		Chrome	Individually Boxed		

S

Handle (Modifier)

Handle*

*Drop the '0' in Stop Type, when using modifier

S	Loose Key, Lock Shield	X	Cross
SS	Screw Driver Slot, Lock Shield	XX	Round

T

Stem (Modifier)

Stem*

*Drop the '0' in Stop Type, when using modifier

T	Stuffing Box
----------	--------------

0 R

Stop Type

Stop Type

OCR	Compression Inlet	OR	Iron Pipe Inlet	BRPX	Barbed PEX Inlet
OFCR	Flare Outlet, Compression Inlet	OFR	Flare Outlet, Iron Pipe Inlet	CS	Sweat Extension Inlet
FR	Flare Outlet, Sweat Inlet	R	Sweat Inlet	033	Slip-Joint Outlet
PR	CPVC Inlet	RD	Sweat Outlet x Sweat Inlet		

For Integral Shut-Offs:

R	Iron Pipe or Sweat Inlet
DRS	Screwdriver Slot, Less Lock Shield, Iron Pipe or Sweat Inlet

1

Outlet Size

Outlet Size (same as riser diameter)

0	1/4" OD	4	5/8" OD (1/2" Nom)
1	3/8" OD (1/4" Nom)	8	1/2" Iron Pipe
2	7/16" OD	9	3/8" Iron Pipe
3	1/2" OD (3/8" Nom)		

9

Inlet

Inlet Size & Style

0	3/8" FIP, Straight	9	1/2" Nominal Copper, Angle
1	3/8" OD Compression (1/4" Nom)	A	3/8" Nominal Copper, Straight
2	1/2" FIP, Straight	B	3/8" Nominal Copper, Angle
4	1/2" Nominal Copper, Straight		
5	3/8" FIP, Angle		
7	1/2" FIP, Angle		

For Slip-Joint Outlets:

01	1/2" FIP Inlet, Angle
05	1/2" FIP Inlet, Straight
41	1/2" Nom Comp Inlet, Angle
45	1/2" Nom Comp Inlet, Straight

For Integral Shut-Offs:

83	1/2" FIP x 1/2" MIP, Straight
84	1/2" Nom Sweat x 1/2" MIP, Straight
44	1/2" Nom Sweat x 1/2" Nom Sweat, Straight

For Sweat Extension Inlets:

40	1/2" Nom Sweat x 3/8" OD Comp, Angle
41	1/2" Nom Sweat x 3/8" OD Comp, Straight
47	1/2" Nom Sweat x 1/2" OD Comp, Straight

P X

Options

Options

PX	Compression PEX w/Tube Insert
-----------	-------------------------------

For Sweat Extension Inlets:

B	w/Escutcheon
----------	--------------

For Integral Shut-Offs:

AA	w/Check Inlet
M	w/Male Sweat Outlet

X

Compliant

Compliant

X	100% Compliant
----------	----------------

C

Finish

Finish

C	Chrome Plated, Trayed
R	Rough/Unplated, Trayed

For Sweat Extension Inlets:

C	Chrome Plated, Boxed
R	Rough/Unplated, Boxed

1

Packaging

Packaging

1	Individually Boxed (These stops are highlighted in bold print in this catalog).
----------	--

PART NO.	UPC	DESCRIPTION	FINISH	QTY	LBS
Compression x Compression - Angle					
OCR1BX C	026613150413	3/8" Nom Comp x 3/8" OD Comp	Chrome	60	12.8
OCR1BX C1	026613150420	3/8" Nom Comp x 3/8" OD Comp	Chrome	20	4.5
OCR09X C	026613135274	1/2" Nom Comp x 1/4" OD Comp	Chrome	60	14.3
OCR09X C1	026613135298	1/2" Nom Comp x 1/4" OD Comp	Chrome	20	4.9
OCR09X R	026613135267	1/2" Nom Comp x 1/4" OD Comp	Rough	60	15.6
OCR19X C	026613135113	1/2" Nom Comp x 3/8" OD Comp	Chrome	60	14.6
OCR19X C1	026613135786	1/2" Nom Comp x 3/8" OD Comp	Chrome	20	5.1
OCR19X R	026613137445	1/2" Nom Comp x 3/8" OD Comp	Rough	60	15.9
OCR19X R1	026613135762	1/2" Nom Comp x 3/8" OD Comp	Rough	20	5.5
OCR29X C1	026613135984	1/2" Nom Comp x 7/16" OD Comp	Chrome	20	5.2
OCR39X C	026613135182	1/2" Nom Comp x 1/2" OD Comp	Chrome	60	16.1
OCR39X C1	026613135212	1/2" Nom Comp x 1/2" OD Comp	Chrome	20	5.6
OCR39X R	026613135205	1/2" Nom Comp x 1/2" OD Comp	Rough	60	17.5



Compression x Compression - Straight

OCR11X C	026613153230	1/4" Nom Comp x 3/8" OD Comp	Chrome	60	14.8
OCR11X C1	026613141954	1/4" Nom Comp x 3/8" OD Comp	Chrome	20	5.1
OCR11X R	026613153247	1/4" Nom Comp x 3/8" OD Comp	Rough	60	16.1
OCR14X C	026613136981	1/2" Nom Comp x 3/8" OD Comp	Chrome	60	17.8
OCR14X C1	026613135977	1/2" Nom Comp x 3/8" OD Comp	Chrome	20	6.1
OCR14X R	026613138084	1/2" Nom Comp x 3/8" OD Comp	Rough	60	19.1
OCR34X C	026613138428	1/2" Nom Comp x 1/2" OD Comp	Chrome	60	18.9
OCR34X C1	026613135946	1/2" Nom Comp x 1/2" OD Comp	Chrome	20	6.5



Compression PEX x Compression - Straight

OCR14PXX C	026613150321	1/2" Nom Comp x 3/8" OD Comp With Tube insert	Chrome	60	18.4
------------	--------------	---	--------	----	------



Compression x Slip-Joint - Angle

O3341X C	026613138671	1/2" Nom Comp x 7/16" & 1/2" Slip-Joint	Chrome	60	17.9
O3341X C1	026613135878	1/2" Nom Comp x 7/16" & 1/2" Slip-Joint	Chrome	20	6.2



Compression x Slip-Joint - Straight

O3345X C	026613137940	1/2" Nom Comp x 7/16" & 1/2" Slip-Joint	Chrome	60	18.9
O3345X C1	026613136028	1/2" Nom Comp x 7/16" & 1/2" Slip-Joint	Chrome	20	6.5



FIP x Compression - Angle

OR07X C	026613136844	1/2" FIP x 1/4" OD Comp	Chrome	60	14.3
OR07X C1	026613135939	1/2" FIP x 1/4" OD Comp	Chrome	20	5.0
OR15X C	026613137575	3/8" FIP x 3/8" OD Comp	Chrome	60	11.3
OR15X C1	026613135908	3/8" FIP x 3/8" OD Comp	Chrome	20	4.0



■ Denotes best selling Multi-Turn Supply Stops.

PART NO.	UPC	DESCRIPTION	FINISH	QTY	LBS
FIP x Compression - Angle (cont.)					
OR15X R	026613153476	3/8" FIP x 3/8" OD Comp	Rough	60	12.6
OR35X C	026613150772	3/8" FIP x 1/2" OD Comp	Chrome	60	13.4
OR17X C	026613138176	1/2" FIP x 3/8" OD Comp	Chrome	60	14.5
OR17X C1	026613135793	1/2" FIP x 3/8" OD Comp	Chrome	20	5.0
OR17X R	026613138565	1/2" FIP x 3/8" OD Comp	Rough	60	15.8
OR37X C	026613138596	1/2" FIP x 1/2" OD Comp	Chrome	60	16.1
OR37X C1	026613135748	1/2" FIP x 1/2" OD Comp	Chrome	20	5.6



FIP x Compression - Straight					
OR10X C	026613154275	3/8" FIP x 3/8" OD Comp	Chrome	60	14.1
OR10X C1	026613141947	3/8" FIP x 3/8" OD Comp	Chrome	20	4.9
OR10X R	026613154282	3/8" FIP x 3/8" OD Comp	Rough	60	15.4
OR12X C	026613138442	1/2" FIP x 3/8" OD Comp	Chrome	60	17.8
OR12X C1	026613135755	1/2" FIP x 3/8" OD Comp	Chrome	20	6.1
OR12X R	026613154299	1/2" FIP x 3/8" OD Comp	Rough	60	19.1
OR32X C	026613135229	1/2" FIP x 1/2" OD Comp	Chrome	60	18.9
OR32X C1	026613135830	1/2" FIP x 1/2" OD Comp	Chrome	20	6.5



FIP x FIP - Straight					
OR90X C	026613150840	3/8" FIP x 3/8" FIP	Chrome	60	13.9
OR82X C	026613150802	1/2" FIP x 1/2" FIP	Chrome	60	18.2



FIP x Flare - Angle					
OFR17X C	026613150505	1/2" FIP x 3/8" OD Flare	Chrome	60	15.2
OFR37X C	026613150529	1/2" FIP x 1/2" OD Flare	Chrome	60	16.9



FIP x Slip-Joint - Angle					
O3301X C	026613138657	1/2" FIP x 7/16" OD & 1/2" Slip-Joint	Chrome	60	17.5
O3301X C1	026613135861	1/2" FIP x 7/16" OD & 1/2" Slip-Joint	Chrome	20	6.0



FIP x Slip-Joint - Straight					
O3305X C	026613138770	1/2" FIP x 7/16" OD & 1/2" Slip-Joint	Chrome	60	20.3
O3305X C1	026613136035	1/2" FIP x 7/16" OD & 1/2" Slip-Joint	Chrome	20	6.9



■ Denotes best selling Multi-Turn Supply Stops.



PART NO.	UPC	DESCRIPTION	FINISH	QTY	LBS
Sweat x Compression - Angle					
R1BX C	026613153780	3/8" Nom Sweat x 3/8" OD Comp	Chrome	60	0.0
R09X C	026613153650	1/2" Nom Sweat x 1/4" OD Comp	Chrome	60	14.8
R09X R	026613154329	1/2" Nom Sweat x 1/4" OD Comp	Rough	60	15.1
R19X C	026613138480	1/2" Nom Sweat x 3/8" OD Comp	Chrome	60	15.6
R19X C1	026613136110	1/2" Nom Sweat x 3/8" OD Comp	Chrome	20	5.4
R19X R	026613137919	1/2" Nom Sweat x 3/8" OD Comp	Rough	60	15.5
R19X R1	026613136127	1/2" Nom Sweat x 3/8" OD Comp	Rough	20	5.3
R39X C	026613151694	1/2" Nom Sweat x 1/2" OD Comp	Chrome	60	16.6



Sweat x Compression - Straight					
R04X C	026613154305	1/2" Nom Sweat x 1/4" OD Comp	Chrome	60	16.7
R04X R	026613154312	1/2" Nom Sweat x 1/4" OD Comp	Rough	60	17.0
R04X R1	026613136134	1/2" Nom Sweat x 1/4" OD Comp	Rough	20	5.9
R14X C	026613142548	1/2" Nom Sweat x 3/8" OD Comp	Chrome	60	18.4
R14X C1	026613136080	1/2" Nom Sweat x 3/8" OD Comp	Chrome	20	6.3
R14X R	026613154336	1/2" Nom Sweat x 3/8" OD Comp	Rough	60	17.4
R14X R1	026613136073	1/2" Nom Sweat x 3/8" OD Comp	Rough	20	6.0
R34X C	026613151588	1/2" Nom Sweat x 1/2" OD Comp	Chrome	60	18.2
R34X R	026613151601	1/2" Nom Sweat x 1/2" OD Comp	Rough	60	17.9



Sweat x Compression - Angle With 5" Sweat Extension Tube					
CS40X C	026613136721	1/2" Nom Sweat x 3/8" OD Comp	Chrome	30	10.9
CS40BX C	026613138299	1/2" Nom Sweat x 3/8" OD Comp With Bell Escutcheon	Chrome	30	12.4
CS40BX C1	026613135717	1/2" Nom Sweat x 3/8" OD Comp With Bell Escutcheon	Chrome	12	5.1



Sweat x Compression - Straight With 5" Sweat Extension Tube					
CS41X C	026613149370	1/2" Nom Sweat x 3/8" OD Comp	Chrome	30	11.8
CS41BX C	026613137896	1/2" Nom Sweat x 3/8" OD Comp With Bell Escutcheon	Chrome	30	13.3
CS41BX C1	026613136042	1/2" Nom Sweat x 3/8" OD Comp With Bell Escutcheon	Chrome	12	5.4
CS47BX C	026613149462	1/2" Nom Sweat x 1/2" OD Comp With Bell Escutcheon	Chrome	30	14.7



†Crimp PEX Barb x Compression - Angle					
BRPX1BX C	026613149059	3/8" Nom Barb x 3/8" OD Comp	Chrome	60	11.3
BRPX09X C	026613149011	1/2" Nom Barb x 1/4" OD Comp	Chrome	60	10.6
BRPX09X R	026613149035	1/2" Nom Barb x 1/4" OD Comp	Rough	60	10.6
BRPX19X C	026613138206	1/2" Nom Barb x 3/8" OD Comp	Chrome	60	11.0
BRPX19X C1	026613172453	1/2" Nom Barb x 3/8" OD Comp	Chrome	20	3.9
BRPX19X R	026613138213	1/2" Nom Barb x 3/8" OD Comp	Rough	60	11.0



†Crimp PEX Barb x Compression - Straight					
BRPX04X C	026613148991	1/2" Nom Barb x 1/4" OD Comp	Chrome	60	13.9
BRPX04X R	026613149004	1/2" Nom Barb x 1/4" OD Comp	Rough	60	13.9
BRPX14X C	026613142326	1/2" Nom Barb x 3/8" OD Comp	Chrome	60	15.1
BRPX14X C1	026613172460	1/2" Nom Barb x 3/8" OD Comp	Chrome	20	5.2
BRPX14X R	026613149042	1/2" Nom Barb x 3/8" OD Comp	Rough	60	15.1

■ Denotes best selling Multi-Turn Supply Stops.

† For Brass "Crimp PEX" fittings and stops ASTM F1807

PART NO.	UPC	DESCRIPTION	FINISH	QTY	LBS
†Crimp PEX Barb x Barb - Straight					
BRPX44X R	026613136691	1/2" Nom Barb x 1/2" Nom Barb	Rough	60	13.2



‡Cold Expansion PEX Barb x Compression - Angle					
CEPX19X C	026613159447	1/2" Nom Cold Expansion Barb x 3/8" OD Comp	Chrome	60	11.0



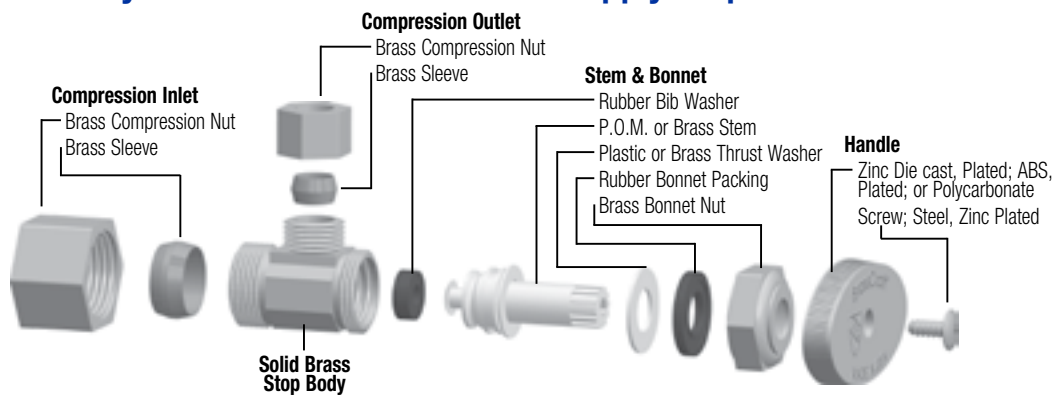
ΔCPVC Solvent Weld x Compression - Angle					
PR09X R	026613135281	1/2" Nom CPVC x 1/4" OD Comp	Rough	60	14.6
PR19X C	026613136752	1/2" Nom CPVC x 3/8" OD Comp	Chrome	60	15.0
PR19X C1	026613138589	1/2" Nom CPVC x 3/8" OD Comp	Chrome	20	5.2
PR19X R	026613142555	1/2" Nom CPVC x 3/8" OD Comp	Rough	60	15.0
PR39X C	026613153643	1/2" Nom CPVC x 1/2" OD Comp	Chrome	60	17.0
PR39X R	026613142395	1/2" Nom CPVC x 1/2" OD Comp	Rough	60	16.9



ΔCPVC Solvent Weld x Compression - Straight					
PR14X C	026613138640	1/2" Nom CPVC x 3/8" OD Comp	Chrome	60	21.7
PR14X C1	026613136011	1/2" Nom CPVC x 3/8" OD Comp	Chrome	20	5.8
PR14X R	026613142388	1/2" Nom CPVC x 3/8" OD Comp	Rough	60	21.7

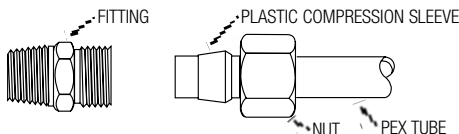


Anatomy Of A BrassCraft Multi-Turn Supply Stop

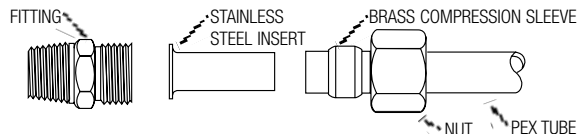


PEX Tube Compression Connection

For PEX Tube 3/8" OD and smaller, use plastic compression sleeve.



For PEX Tube larger than 3/8" OD, use brass compression sleeve with stainless steel tube insert.



NOTE: All 3/8" OD PEX Risers come with plastic compression sleeve.
All 1/2" OD PEX Risers come with stainless steel tube insert.

† For Brass "Crimp PEX" fittings and stops ASTM F1807
‡ For Brass "Cold Expansion PEX" fittings and stops ASTM F1960
Δ CPVC pre-torqued fittings eliminate the need for tightening on the job.



PART NO.	UPC	DESCRIPTION	FINISH	QTY	LBS
Integral Shut-Off - with Lock Shield Screwdriver Slot - Straight					
SSR83X R	026613173641	1/2" FIP x 1/2" MIP	Rough	60	22.3



SSR44MX R	026613139838	1/2" Nom Sweat Female x 1/2" Nom Sweat Male	Rough	60	18.1
-----------	--------------	---	-------	----	------



Integral Shut-Off - Less Lock Shield Screwdriver Slot - Straight					
DRS44MX R	026613173672	1/2" NOM SWEAT FEMALE X 1/2" N	Rough	60	16.2
DRS44MX R1	026613173665	1/2" NOM SWEAT FEMALE X 1/2" N	Rough	20	5.6



DRS83X R	026613173689	1/2" FIP X 1/2" MIP	Rough	60	20.4
DRS83X R1	026613173658	1/2" FIP X 1/2" MIP	Rough	20	7.0



DRS84X R	026613173627	1/2" NOM SWEAT FEMALE X 1/2" M	Rough	60	19.0
----------	--------------	--------------------------------	-------	----	------

Part Numbering System

Example:



K	T	C	R	1	9	0	1	L	R	X	C	1
Stop Style	Stop Type	Riser Outlet	Inlet	Dual Outlet	Side Outlet	Option	Compliant	Finish	Packaging			
1/4 Turn Ball Stop	Compression Inlet	3/8" OD (1/4" Nom)	1/2" Nom Copper, Angle		3/8" OD (1/4" Nom)	Outlet Either Side		Chrome	Individually Boxed			

K T
Stop Style

S
Handle (Modifier)

T
Stem (Modifier)

C R
Stop Type

1
Outlet

9
Inlet

0
Dual Outlet

1
Side Outlet

L R
Option (Modifier)

X
Compliant

C
Finish

1
Packaging

Stop Style*

*Prefix not containing 'KT' or 'G2' indicates Multi-Turn Stop

KT	1/4 Turn Ball Stop
G2	1/4 Turn Stop

Handle*

*Available w/Multi-Turn Only

S	Loose Key, Lock Shield	X	Cross
SS	Screw Driver Slot, Lock Shield	XX	Round

Stem*

*Available w/Multi-Turn Only

T	Stuffing Box
---	--------------

Stop Type

CR	Compression Inlet	R	Iron Pipe or Sweat Inlet
FR	Flare Outlet	BRPX	Barbed PEX Inlet
PR	CPVC Inlet		

Riser Outlet

1	3/8" OD (1/4" Nom)	3	1/2" OD (3/8" Nom)
2	7/16" OD		

Inlet

7	1/2" FIP, Angle	9	1/2" Nominal Copper, Angle
---	-----------------	---	----------------------------

Dual Outlet

0	Dual Outlet
---	-------------

Side Outlet

0	1/4" OD	2	7/16" OD
1	3/8" OD (1/4" Nom)	3	1/2" OD (3/8" Nom)

Option

L	Left Side Outlet
LR	Outlet Either Side
R	Right Side Outlet

For Dual Shut-Offs:

DV	Dual Shut-Off
DVS	Dual Shut-Off, Straight

Compliant

X	100% Compliant
---	----------------

Finish

C	Chrome Plated, Trayed	R	Rough/Unplated, Trayed
---	-----------------------	---	------------------------

Packaging

1 Individually Bagged (These stops are highlighted in **bold print** in this catalog). For Dual Outlet/Dual Shut Off "R1" means bag.



PART NO.	UPC	DESCRIPTION	FINISH	QTY	LBS
----------	-----	-------------	--------	-----	-----

Compression x Compression x Compression

KTCR1901X R1	026613150116	1/2" Nom Comp x 3/8" OD Comp x 3/8" OD Comp	Rough	16	7.0
---------------------	--------------	---	-------	----	-----



CR1900LX C1	026613138220	1/2" Nom Comp x 3/8" OD Comp x 1/4" OD Comp	Chrome	16	4.6
--------------------	--------------	---	--------	----	-----

CR1900LX R1	026613138237	1/2" Nom Comp x 3/8" OD Comp x 1/4" OD Comp	Rough	16	4.9
--------------------	--------------	---	-------	----	-----

CR1900RX C1	026613136882	1/2" Nom Comp x 3/8" OD Comp x 1/4" OD Comp	Chrome	16	4.6
--------------------	--------------	---	--------	----	-----

CR1900RX R1	026613135854	1/2" Nom Comp x 3/8" OD Comp x 1/4" OD Comp	Rough	16	4.9
--------------------	--------------	---	-------	----	-----

CR1901LRX C1	026613137872	1/2" Nom Comp x 3/8" OD Comp x 3/8" OD Comp	Chrome	16	4.7
---------------------	--------------	---	--------	----	-----

CR1901LRX R1	026613135779	1/2" Nom Comp x 3/8" OD Comp x 3/8" OD Comp	Rough	16	5.0
---------------------	--------------	---	-------	----	-----

CR2901RX C1	026613138268	1/2" Nom Comp x 7/16" OD Comp x 3/8" OD Comp	Chrome	16	5.4
--------------------	--------------	--	--------	----	-----



CR3901LX C1	026613138404	1/2" Nom Comp x 1/2" OD Comp x 3/8" OD Comp	Chrome	16	5.8
--------------------	--------------	---	--------	----	-----

CR3901LX R1	026613135960	1/2" Nom Comp x 1/2" OD Comp x 3/8" OD Comp	Rough	16	6.1
--------------------	--------------	---	-------	----	-----

FIP x Compression x Compression



R1700RX C1	026613138459	1/2" FIP x 3/8" OD Comp x 1/4" OD Comp	Chrome	16	4.8
-------------------	--------------	--	--------	----	-----

R1700RX R1	026613135847	1/2" FIP x 3/8" OD Comp x 1/4" OD Comp	Rough	16	5.2
-------------------	--------------	--	-------	----	-----

R1701LRX C1	026613137001	1/2" FIP x 3/8" OD Comp x 3/8" OD Comp	Chrome	16	4.9
--------------------	--------------	--	--------	----	-----

R1701LRX R1	026613135731	1/2" FIP x 3/8" OD Comp x 3/8" OD Comp	Rough	16	5.3
--------------------	--------------	--	-------	----	-----

R3701RX C1	026613138800	1/2" FIP x 1/2" OD Comp & 3/8" OD Comp	Chrome	16	5.3
-------------------	--------------	--	--------	----	-----

R3701RX R1	026613135823	1/2" FIP x 1/2" OD Comp & 3/8" OD Comp	Rough	16	5.6
-------------------	--------------	--	-------	----	-----



Sweat x Compression x Compression

R1901LRX C1	026613138619	1/2" Nom Sweat x 3/8" OD Comp x 3/8" OD Comp	Chrome	16	4.9
--------------------	--------------	--	--------	----	-----

R1901LRX R1	026613142517	1/2" Nom Sweat x 3/8" OD Comp x 3/8" OD Comp	Rough	16	4.9
--------------------	--------------	--	-------	----	-----



†Crimp PEX Barb x Compression x Compression

BRPX1901LRX R1	026613137728	1/2" Nom Barb x 3/8" OD Comp x 3/8" OD Comp	Rough	16	4.3
-----------------------	--------------	---	-------	----	-----



△CPVC Solvent Weld x Compression x Compression

PR1901LRX R1	026613138695	1/2" Nom CPVC x 3/8" OD Comp x 3/8" OD Comp	Rough	16	5.1
---------------------	--------------	---	-------	----	-----

■ Denotes best selling Dual Outlet, Dual Shut-Off Supply Stops.

† For Brass "Crimp PEX" fittings and stops ASTM F1807

△ CPVC pre-torqued fittings eliminate the need for tightening on the job.

Dual Outlet, Dual Shut-Off Supply Stops



Unlike a standard dual outlet stop, BrassCraft's dual outlet, dual shut-off 1/4 turn ball stop allows you to turn off the water to one source while working on another. For instance, you can still run hot water out of your faucet and turn off the water to your instant hot water dispenser. This means you don't have to install two separate stops. This added convenience is ideal for:

- Dishwashers
- Ice Makers
- Water Filters
- Instant Hot Water Dispensers



PART NO.	UPC	DESCRIPTION	FINISH	QTY	LBS
----------	-----	-------------	--------	-----	-----

Compression x Compression x Compression - Angle

KTCR1900DVX R	026613137988	1/2" Nom Comp x 3/8" OD Comp x 1/4" OD Comp	Rough	30	13.1
KTCR1900DVX R1	026613142876	1/2" Nom Comp x 3/8" OD Comp x 1/4" OD Comp	Rough	16	6.8
KTCR1901DVX R	026613137995	1/2" Nom Comp x 3/8" OD Comp x 3/8" OD Comp	Rough	30	12.9
KTCR1901DVX R1	026613142869	1/2" Nom Comp x 3/8" OD Comp x 3/8" OD Comp	Rough	16	6.8



Compression x Compression x Compression - Straight

KTCR1901DVX R	026613150123	1/2" Nom Comp x 3/8" OD Comp x 3/8" OD Comp	Rough	30	13.0
---------------	--------------	---	-------	----	------



†Crimp PEX Barb x Compression x Compression - Angle

KTBRPX1901DVX R	026613150086	1/2" Nom Barb x 3/8" OD Comp x 3/8" OD Comp	Rough	30	10.6
-----------------	--------------	---	-------	----	------



† For Brass "Crimp PEX" fittings and stops ASTM F1807

PART NO.	UPC	DESCRIPTION	FINISH	QTY	LBS
----------	-----	-------------	--------	-----	-----

Compression x Compression x Compression - Angle



CR1900DVX C	026613137384	1/2" Nom Comp x 3/8" OD Comp x 1/4" OD Comp	Chrome	30	11.7
CR1900DVX R	026613137377	1/2" Nom Comp x 3/8" OD Comp x 1/4" OD Comp	Rough	30	13.0



CR1901DVX C	026613137421	1/2" Nom Comp x 3/8" OD Comp x 3/8" OD Comp	Chrome	30	12.0
CR1901DVX R	026613137414	1/2" Nom Comp x 3/8" OD Comp x 3/8" OD Comp	Rough	30	13.3



CR1903DVX R	026613142319	1/2" Nom Comp x 3/8" OD Comp x 1/2" OD Comp	Rough	30	13.1
-------------	--------------	---	-------	----	------

Compression x Compression x Compression - Straight



CR1900DVSX R	026613137971	1/2" Nom Comp x 3/8" OD Comp x 1/4" OD Comp	Rough	30	12.9
--------------	--------------	---	-------	----	------



CR1901DVSX C	026613137391	1/2" Nom Comp x 3/8" OD Comp x 3/8" OD Comp	Chrome	30	11.8
CR1901DVSX R	026613137407	1/2" Nom Comp x 3/8" OD Comp x 3/8" OD Comp	Rough	30	13.1

Δ CPVC Solvent Weld x Compression x Compression - Angle



PR1901DVX R	026613142340	1/2" Nom CPVC x 3/8" OD Comp x 3/8" OD Comp	Rough	30	13.4
-------------	--------------	---	-------	----	------

FIP x Compression x Compression - Angle



R1700DVX R	026613138015	1/2" FIP x 3/8" OD Comp x 1/4" OD Comp	Rough	30	12.5
R1701DVX R	026613138473	1/2" FIP x 3/8" OD Comp x 3/8" OD Comp	Rough	30	12.6

Δ CPVC pre-torqued fittings eliminate the need for tightening on the job.

Brass Icemaker/Humidifier Valves



Product Applications

- Icemaker
- Humidifiers

Product Advantages

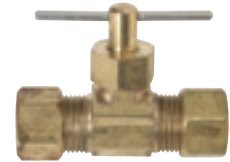
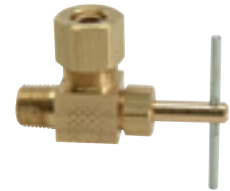
- BrassCraft® Needle Valves have metal-to-metal seats with fine thread adjustment.
- Provide positive sealing and flow adjustment up to the capacity of the valve.
- Backed by BrassCraft® Manufacturing Company's more than 75 year history and reputation for quality and service.



PART NO.	UPC	DESCRIPTION	FINISH	QTY	LBS
----------	-----	-------------	--------	-----	-----

Compression Needle Valves

NV104-4-2X	026613150222	1/4" OD Comp x 1/8" MIP, Angle	Rough	450	30.9
NV105-4X	026613137490	1/4" OD Comp x 1/4" OD Comp	Rough	300	27.3
NV105-6X	026613137483	3/8" OD Comp x 3/8" OD Comp	Rough	225	28.8



Humidifier Valves - Ice Maker Kit

NV104-EE1X K1	026613153223	3/8" OD Comp x 3/8" OD Comp With 1/4" OD Comp	Rough	100	18.5
---------------	--------------	---	-------	-----	------



Self-Piercing Needle Valve Kits

PNEV-NCVX	026613137476	For 3/8" to 1" OD Tube w/1/4" OD Comp , Inc. Saddle Clamp With Self-Locking Nuts, Brass Sleeve & Insert, & Delrin Sleeve	Rough	75	18.0
BC96X	026613148977	For 3/8" to 1" OD Tube w/1/4" OD Comp Incl. Saddle Clamp With Self-Locking Nuts, 1/4" OD x 25' Polyethylene Tube, Brass Sleeve & Inserts & Delrin Sleeve, & 1/4" OD Union	Rough	5	4.0
BC97X	026613148984	For 3/8" to 1" OD Tube w/1/4" OD Comp Incl. Saddle Clamp With Self-Locking Nuts, 1/4" OD x 25' Copper Tube, Brass Sleeve & 1/4" OD Union	Rough	5	10.3



Part Numbering System

Example:



1	-	1	2	A	C	2
Inlet		Length		Outlet Style	Finish	Packaging
3/8" OD		12"		Faucet One Piece w/Insert	Chrome Plated, Bulk Packed	1 Pair, Boxed

P

Inlet

Riser Style

Copper Riser (No Prefix)

P PEX Riser

F

Inlet

Riser Type

F Flared Outlet

1

Inlet

Inlet (Stop or fitting outlet size)

1 3/8" OD

3 1/2" OD

1 **2**

Length

Length

12 12"
15 15"
20 20"
30 30"
36 36"

For Flare (Copper Risers):

11 11"
17 17"
20 20"

For PEX Risers:

12 12"
15 15"
20 20"
30 30"
36 36"

A

Outlet Style

Outlet Style

A Faucet - One Piece w/Insert
C Faucet - Rubber Washer w/Brass Ring
K Faucet - 1/2" MIP (Tapped 1/4" FIP)
KA Faucet - Sweat
KC Faucet - Compression
DE Toilet - w/Heavy Duty Rubber Nosepiece
DL Toilet - w/Gasket Nosepiece
E Toilet - Rubber Washer w/Brass Ring

For Flare (Copper Risers):

C Faucet - Rubber Washer w/Brass Ring
E Toilet - Rubber Washer w/Brass Ring

For PEX Risers:

A Faucet - One Piece w/Insert
DL Toilet - w/Gasket Nosepiece

S

Finish

Option (For one-piece copper risers)

S Solid Brass

C

Finish

Finish

C Chrome Plated, Bulk Packed

R Rough/Unplated, Bulk Packed

2

Packaging







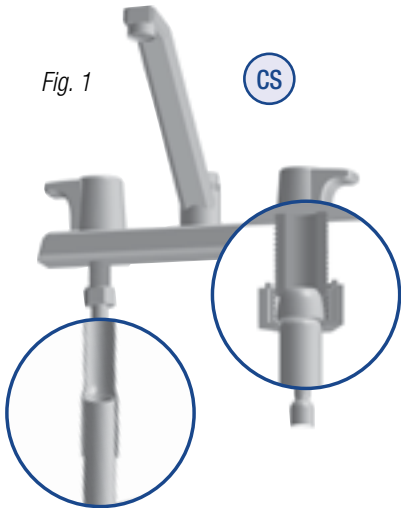

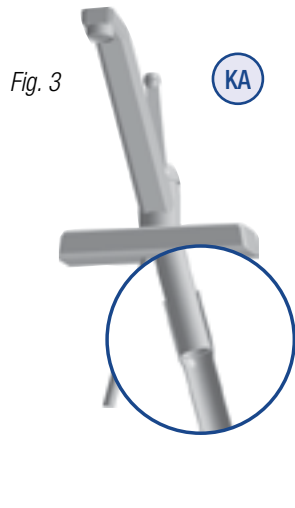
Packaging

1 Individually Boxed (Toilet Risers)
2 1 Pair, Boxed (Faucet Risers)

For PEX Risers (Bulk Packed):

K1 Individually Boxed (Toilet Risers)
K2 1 Pair, Boxed (Faucet Risers)

Supply Risers: Faucet

<p>A</p>  <p>Formed Metal Nosepiece w/Insert Suffix "A" <i>Example:</i> 1-12A C</p>	<p>C</p>  <p>Rubber Washer w/Brass Friction Ring Suffix "C" <i>Example:</i> F1-11C C</p>	<p>CS</p>  <p>Reinforced, Formed Nosepiece, One-Piece Construction Suffix "CS" <i>Example:</i> CS600 R <i>See Fig. 1</i></p> <ul style="list-style-type: none"> • Pre-assembled with brass coupling nut for metal-to-metal seat • Eliminates faucet tailpieces and IP x sweat adaptors • Direct connection from faucet to service line • Deep well, 1/2" Nom copper solder cup • For in-line shut-off, use with compression valve 	<p>KC</p>  <p>Compression Nut and Sleeve Suffix "KC" <i>Example:</i> 1-12KC C <i>See Fig. 2</i></p>
<p>K</p>  <p>1/2" MIP Tapped 1/4" FIP Suffix "K" <i>Example:</i> 1-12K C</p>	<p>KA</p>  <p>Sweat Suffix "KA" <i>Example:</i> 1-12KA C <i>See Fig. 3</i></p>		
<p><i>Fig. 1</i></p>  <p>CS</p>	<p><i>Fig. 2</i></p>  <p>KC</p>	<p><i>Fig. 3</i></p>  <p>KA</p>	

Supply Risers: Toilet

<p>DL</p>  <p>Formed Nosepiece w/Insert Gasket Suffix "DL" <i>Example:</i> 1-12DL C</p>	<p>DE</p>  <p>Heavy Nosepiece w/Rubber Washer Suffix "DE" <i>Example:</i> 1-12DE C</p>	<p>E</p>  <p>Rubber Washer w/Brass Friction Ring Suffix "E" <i>Example:</i> F1-11E C</p>
--	---	---

PART NO.	UPC	DESCRIPTION	LENGTH	QTY	LBS
Faucet - 1-Piece With Insert					
1-12A C †	026613002576	3/8" OD	12"	100	11.9
1-12A R †	026613042343	3/8" OD	12"	100	11.9
1-15A C †	026613042688	3/8" OD	15"	100	14.7
1-20A C †	026613042992	3/8" OD	20"	100	19.5
1-20A R †	026613043036	3/8" OD	20"	100	19.5
1-30A C †	026613043302	3/8" OD	30"	50	14.5
1-30A R †	026613043340	3/8" OD	30"	50	14.5
1-36A C †	026613043425	3/8" OD	36"	50	17.3
1-36A R †	026613043456	3/8" OD	36"	50	17.3
3-12A C †	026613043715	1/2" OD	12"	50	8.9
3-15A C	026613043951	1/2" OD	15"	50	10.9
3-20A C †	026613044026	1/2" OD	20"	50	14.3
3-20A R †	026613044057	1/2" OD	20"	50	14.3
3-30A C †	026613044163	1/2" OD	30"	25	10.8
3-36A C †	026613044217	1/2" OD	36"	25	13.0



Faucet - Compression With KC Nosepiece

1-12KC C †	026613003795	3/8" OD	12"	50	7.5
1-12KC R †	026613042572	3/8" OD	12"	50	7.6
1-15KC C	026613042787	3/8" OD	15"	50	9.1
1-20KC C †	026613003801	3/8" OD	20"	50	11.3
1-20KC R †	026613043241	3/8" OD	20"	50	11.4



Faucet - 1/2" MIP With 1/4" FIP Tapped

1-12K C	026613042596	3/8" OD	12"	50	10.0
---------	--------------	---------	-----	----	------



Faucet - Sweat

1-12KA R †	026613042534	3/8" OD	12"	50	5.7
------------	--------------	---------	-----	----	-----



Faucet - Sweat 1-Piece With Shank Nut

CS600 R †	026613002675	1/2" OD	12"	50	9.3
-----------	--------------	---------	-----	----	-----



† Denotes faucet risers are available boxed, 1 pair.

NOTE: Actual riser length to connect less 1/2"

PART NO.	UPC	DESCRIPTION	LENGTH	QTY	LBS
----------	-----	-------------	--------	-----	-----

Faucet - PEX

P1-12A	026613044859	3/8" OD	12"	100	4.4
P1-20A	026613044910	3/8" OD	20"	100	5.0
P1-30A	026613044958	3/8" OD	30"	50	4.2
P1-36A	026613044965	3/8" OD	36"	50	5.4



Toilet - PEX

P1-12DL	026613044873	3/8" OD	12"	100	3.6
P1-15DL	026613044903	3/8" OD	15"	100	5.0
P1-20DL	026613044934	3/8" OD	20"	100	5.6



Toilet - With Gasket Nosepiece

1-12DL C	026613002613	3/8" OD	12"	100	12.0
1-15DL C	026613042756	3/8" OD	15"	100	14.9
1-20DL C	026613043135	3/8" OD	20"	50	10.0
3-12DL C	026613043821	1/2" OD	12"	50	8.0



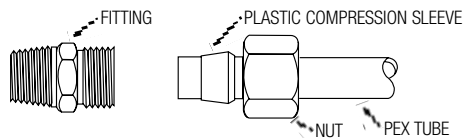
Toilet - With Heavy Duty Rubber Nosepiece

1-12DE C	026613042398	3/8" OD	12"	50	6.6
1-20DE C	026613043081	3/8" OD	20"	50	10.6
3-12DE C	026613043791	1/2" OD	12"	50	8.1

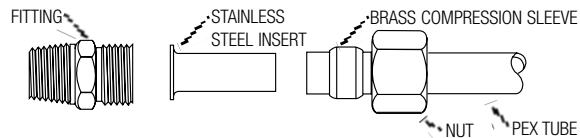


PEX Tube Compression Connection

For PEX Tube 3/8" OD and smaller, use plastic compression sleeve.



For PEX Tube larger than 3/8" OD, use brass compression sleeve with stainless steel tube insert.



NOTE: All 3/8" OD PEX Risers come with plastic compression sleeve.
All 1/2" OD PEX Risers come with stainless steel tube insert.

NOTE: Actual riser length to connect less 1/2"



BrassCraft®

WATER CONNECTORS

HOOK-UPS YOU CAN TRUST TO HOLD UP.

Pros need water connectors that are easy to install and even easier to count on. BrassCraft's braided polymer water connectors protect against corrosion better than stainless steel alternatives. They're available for all water supply appliances: faucets, toilets, dishwashers, washing machines, and ice makers. And, our connectors work with you — bending freely without kinking or crimping. They're flexible because we know your schedule isn't. Trust BrassCraft Water Connectors to hold up for years, without slowing you down.



PRODUCT HIGHLIGHTS

- Made with tough braided polymer for corrosion resistance
- Versatile — a strong connection for every hook-up
- Flexible for easy installation

A CONNECTION FOR EVERY APPLIANCE

- Faucet
- Toilet
- Dishwasher
- Washing Machine
- Ice Maker



PART NO.	UPC	DESCRIPTION	LENGTH	QTY	LBS
Faucet - Compression					
B1-12A F	026613966168	3/8" Comp x 1/2" FIP	12"	25	4.6
B1-16A F	026613966151	3/8" Comp x 1/2" FIP	16"	25	5.6
B1-20A F	026613966199	3/8" Comp x 1/2" FIP	20"	25	6.6
B1-24A F	026613118635	3/8" Comp x 1/2" FIP	24"	25	7.2
B1-30A F	026613966922	3/8" Comp x 1/2" FIP	30"	25	8.2
B1-36A F	026613966946	3/8" Comp x 1/2" FIP	36"	25	9.2
B1-48A F	026613104232	3/8" Comp x 1/2" FIP	48"	25	11.0
B2-20A F	026613966007	7/16" Comp x 1/2" FIP	20"	25	6.2
B3-12A F	026613965901	1/2" Comp x 1/2" FIP	12"	25	4.8
B3-16A F	026613965840	1/2" Comp x 1/2" FIP	16"	25	5.5
B3-20A F	026613965918	1/2" Comp x 1/2" FIP	20"	25	6.7
B3-30A F	026613966939	1/2" Comp x 1/2" FIP	30"	25	8.6



Faucet - FIP

B8-12A F	026613966052	1/2" FIP x 1/2" FIP	12"	25	5.0
B8-16A F	026613966069	1/2" FIP x 1/2" FIP	16"	25	5.8
B8-20A F	026613966076	1/2" FIP x 1/2" FIP	20"	25	6.7
B8-24A F	026613104317	1/2" FIP x 1/2" FIP	24"	25	7.8
B8-30A F	026613966977	1/2" FIP x 1/2" FIP	30"	25	8.6
B8-36A F	026613966984	1/2" FIP x 1/2" FIP	36"	25	9.7



Faucet - Flare

BF1-12A F	026613966649	3/8" Flare x 1/2" FIP	12"	25	4.8
BF1-16A F	026613966663	3/8" Flare x 1/2" FIP	16"	25	5.6
BF1-20A F	026613966687	3/8" Flare x 1/2" FIP	20"	25	6.4



Faucet - Compression x KC Nosepiece

B1-12KC F	026613966229	3/8" Comp x 3/8" Comp	12"	25	4.7
B1-16KC F	026613105017	3/8" Comp x 3/8" OD Comp	16"	25	5.4
B1-20KC F	026613966243	3/8" Comp x 3/8" OD Comp	20"	25	6.1



Toilet - Compression

B1-6DL F	026613966762	3/8" Comp x 7/8" Ballcock	6"	25	3.3
B1-9DL F	026613966748	3/8" Comp x 7/8" Ballcock	9"	25	3.8
B1-12DL F	026613966311	3/8" Comp x 7/8" Ballcock	12"	25	4.4
B1-16DL F	026613966342	3/8" Comp x 7/8" Ballcock	16"	25	8.0
B1-20DL F	026613966373	3/8" Comp x 7/8" Ballcock	20"	25	6.0
B2-12DL F	026613966786	7/16" Comp x 7/8" Ballcock	12"	25	4.1
B2-20DL F	026613966571	7/16" Comp x 7/8" Ballcock	20"	25	6.0
B3-12DL F	026613966823	1/2" Comp x 7/8" Ballcock	12"	25	4.5
B3-20DL F	026613966847	1/2" Comp x 7/8" Ballcock	20"	25	6.0



PART NO.	UPC	DESCRIPTION	LENGTH	QTY	LBS
----------	-----	-------------	--------	-----	-----

Toilet - Compression (cont.)

B1-12DLM F	026613104201	3/8" Comp x 7/8" Ballcock With Metal Nut	12"	25	5.2
------------	--------------	--	-----	----	-----



Toilet - FIP

B8-9DL F	026613966878	1/2" FIP x 7/8" Ballcock	9"	25	9.3
B8-12DL F	026613966892	1/2" FIP x 7/8" Ballcock	12"	25	4.8
B8-16DL F	026613966915	1/2" FIP x 7/8" Ballcock	16"	25	5.7
B8-20DL F	026613966403	1/2" FIP x 7/8" Ballcock	20"	25	6.2



Toilet - Flare

BF1-12DL F	026613966427	3/8" Flare x 7/8" Ballcock	12"	25	4.5
BF1-16DL F	026613104348	3/8" Flare x 7/8" Ballcock	16"	25	5.2
BF1-20DL F	026613966441	3/8" Flare x 7/8" Ballcock	20"	25	6.0
BF3-12DL F	026613966595	1/2" Flare x 7/8" Ballcock	12"	25	4.6
BF3-16DL F	026613104362	1/2" Flare x 7/8" Ballcock	16"	25	5.9
BF3-20DL F	026613104379	1/2" Flare x 7/8" Ballcock	20"	25	6.7



BF3-12DLM F	026613127835	1/2" Flare x 7/8" Ballcock With Metal Nut	12"	25	6.7
-------------	--------------	---	-----	----	-----



Washing Machine - Female Hose Thread

BL12-48WA F	026613105499	3/4" Female Hose Thread x 3/4" Female Hose Thread	48"	25	17.5
BL12-60WA F	026613142609	3/4" Female Hose Thread x 3/4" Female Hose Thread	60"	25	20.2
BL12-72WA F	026613104829	3/4" Female Hose Thread x 3/4" Female Hose Thread	72"	25	22.9
BL12-48WA P	026613142043	3/4" Female Hose Thread x 3/4" Female Hose Thread	48"	10	6.7
BL12-60WA P	026613142050	3/4" Female Hose Thread x 3/4" Female Hose Thread	60"	10	8.2
BL12-72WA P	026613142067	3/4" Female Hose Thread x 3/4" Female Hose Thread	72"	10	9.3



Dishwasher - Compression

B1-12DW F	026613104218	3/8" Comp x 3/8" Comp	12"	10	2.0
B1-16DW F	026613104263	3/8" Comp x 3/8" Comp	16"	10	2.3
B1-20DW F	026613104270	3/8" Comp x 3/8" Comp	20"	10	2.6
B1-36DW F	026613104409	3/8" Comp x 3/8" Comp	36"	10	8.1
B1-48DW F	026613104416	3/8" Comp x 3/8" Comp	48"	10	10.4
B1-60DW F	026613104423	3/8" Comp x 3/8" Comp	60"	10	5.6
B1-72DW F	026613104430	3/8" Comp x 3/8" Comp	72"	10	6.3
B1-120DW F	026613134314	3/8" Comp x 3/8" Comp	120"	25	27.5
B1-48DW6 F	026613142425	3/8" Comp x 3/8" Comp With 3/8" MIP Elbow	48"	25	13.0
B1-60DW6 F	026613142432	3/8" Comp x 3/8" Comp With 3/8" MIP Elbow	60"	25	14.9
B1-72DW6 F	026613142449	3/8" Comp x 3/8" Comp With 3/8" MIP Elbow	72"	25	16.8
B1-48DW6 P	026613141787	3/8" Comp x 3/8" Comp With 3/8" MIP Elbow	48"	10	5.7
B1-60DW6 P	026613141794	3/8" Comp x 3/8" Comp With 3/8" MIP Elbow	60"	10	6.5
B1-72DW6 P	026613141800	3/8" Comp x 3/8" Comp With 3/8" MIP Elbow	72"	10	7.2





PART NO.	UPC	DESCRIPTION	LENGTH	QTY	LBS
Dishwasher - Compression (cont.)					
B3-48DW F	026613966960	1/2" Comp x 1/2" FIP	48"	10	5.3
BL3-48DW F	026613104461	1/2" Comp x 1/2" Comp	48"	10	6.3
BL3-60DW F	026613104478	1/2" Comp x 1/2" Comp	60"	10	7.6
BL3-72DW F	026613104485	1/2" Comp x 1/2" Comp	72"	10	5.7



Dishwasher - FIP

B8-48DW F	026613104447	1/2" FIP x 1/2" FIP	48"	10	5.3
B8-60DW F	026613966953	1/2" FIP x 1/2" FIP	60"	10	6.0
B8-48DW6 P	026613141817	1/2" FIP x 3/8" Comp With 3/8" MIP Elbow	48"	10	5.9



Dishwasher - Garden Hose Elbow

B1-60DW1 P	026613141169	3/8" Comp x 3/4" Garden Hose Elbow (Crimped)	60"	10	17.0
B1-72DW1 P	026613141176	3/8" Comp x 3/4" Garden Hose Elbow (Crimped)	72"	10	16.7
B1-60DW12 F	026613142463	3/8" Comp x 3/8" Comp With 3/4" Garden Hose Elbow	60"	25	15.8
B1-72DW12 F	026613142470	3/8" Comp x 3/8" Comp With 3/4" Garden Hose Elbow	72"	25	17.7
B1-48DW12 P	026613141756	3/8" Comp x 3/8" Comp With 3/4" Garden Hose Elbow	48"	10	6.5
B1-60DW12 P	026613141763	3/8" Comp x 3/8" Comp With 3/4" Garden Hose Elbow	60"	10	6.8
B1-72DW12 P	026613141770	3/8" Comp x 3/8" Comp With 3/4" Garden Hose Elbow	72"	10	7.6



Dishwasher - Kit

B1U-48DW612 D	026613140797	3/8" Comp x 3/8" Comp With 1/2" IP and 1/2" Comp Stop Adaptors, 3/8" MIP and 3/4" Garden Hose Elbows	48"	10	8.5
B1U-72DW612 D	026613160528	3/8" Comp x 3/8" Comp With 1/2" IP and 1/2" Comp Stop Adaptors, 3/8" MIP and 3/4" Garden Hose Elbows	72"	5	5.0



Ice Maker/Humidifier/Water Filter

B0-12IM F	026613104836	1/4" Comp x 1/4" Comp	12"	25	3.4
B0-60IM F	026613142531	1/4" Comp x 1/4" Comp	60"	25	10.8
B0-72IM F	026613142616	1/4" Comp x 1/4" Comp	72"	25	11.8
B0-60IM P	026613142005	1/4" Comp x 1/4" Comp	60"	10	5.0
B0-72IM P	026613142012	1/4" Comp x 1/4" Comp	72"	10	5.2
B0-84IM P	026613142029	1/4" Comp x 1/4" Comp	84"	10	5.6
B0-96IM P	026613142036	1/4" Comp x 1/4" Comp	96"	10	6.0
B0-120IM P	026613141992	1/4" Comp x 1/4" Comp	120"	10	6.9

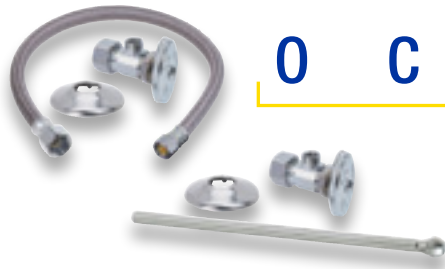


PART NO.	UPC	DESCRIPTION	LENGTH	QTY	LBS
Flexible Water Connectors Display Rack					
BC8500		Speedi Plumb PLUS/Speedi Plumb Display Rack 18" Wide x 12" Deep		1	6.4
BC8504		Speedi Plumb Display Rack 18" Wide x 12" Deep		1	6.4



Part Numbering System

Example:



O	C	R	1	9	B	1	2	A	C
Stop Model					Connector Style	Length		Outlet Style	Finish
					Engineered Polymer Braid	12"		Faucet One Piece w/Insert	Chrome Plated, Individually Boxed

OCR19

Stop Model

Stop Model

See Stop Part Numbering, Pages 10, 15 and 21

B

Connector Style

Connector Style

Copper Connector (No Prefix)

B Engineered Polymer Braid

1 2

Length

Length

For Faucet:

12 12"

15 15"

20 20"

For Flare:

11 11"

17 17"

For Toilet:

12 12"

15 15"

20 20"

For Flare:

11 11"

Engineered Polymer Braid

For Faucet:

12 12"

16 16"

20 20"

For Toilet:

12 12"

16 16"

A

Outlet Style

Outlet Style

A Faucet - One Piece w/Insert
C Faucet - Rubber Washer w/Brass Ring
KA Faucet - Sweat
KC Faucet - Compression
DL Toilet - w/Gasket Nosepiece
E Toilet - Rubber Washer w/Brass Ring

For Engineered Polymer Braid

A Faucet - 1/2" FIP, Metal Nut
DL Toilet - 7/8" Ballcock, Plastic Nut

Z

Option (Modifier)

Option

Z Brass Stem

For Engineered Polymer Braid

Z Brass Stem

C

Finish

Packaging

C Chrome Plated, Individually Boxed
R Rough / Unplated, Individually Boxed

For Engineered Polymer Braid

C Chrome Plated, Individually Bagged
R Rough / Unplated, Individually Bagged

** Numbering system does not apply to Sweat Extension Supply Kits

PART NO.	UPC	DESCRIPTION	LENGTH	FINISH	QTY	LBS
----------	-----	-------------	--------	--------	-----	-----

Faucet - Compression x Compression - Angle

OCR1912AX C	026613140193	1/2" Nom Comp x 3/8" OD Comp	12"	Chrome	25	21.8
OCR1915AX C	026613140209	1/2" Nom Comp x 3/8" OD Comp	15"	Chrome	25	25.1
OCR1920AX C	026613140216	1/2" Nom Comp x 3/8" OD Comp	20"	Chrome	25	27.5
OCR3920AX C	026613153414	1/2" Nom Comp x 1/2" OD Comp	20"	Chrome	25	32.7



Faucet - FIP x Compression- Angle

OR1712AX C	026613140223	1/2" FIP x 3/8" OD Comp	12"	Chrome	25	21.7
OR1715AX C	026613139951	1/2" FIP x 3/8" OD Comp	15"	Chrome	25	24.9



Faucet - Sweat x Compression - Angle

R1912AX C	026613153728	1/2" Nom Sweat x 3/8" OD Comp	12"	Chrome	25	22.6
-----------	--------------	-------------------------------	-----	--------	----	------



Faucet - 1/4 Turn Ball 5" Sweat Extension Tube x Compression - Angle

KTCS400AX C	026613153179	1/2" Nom Sweat x 3/8" OD Comp	12"	Chrome	25	28.1
-------------	--------------	-------------------------------	-----	--------	----	------



Faucet - 5" Sweat Extension x Compression - Angle

CS400AX C	026613152912	1/2" Nom Sweat x 3/8" OD Comp	12"	Chrome	25	25.9
-----------	--------------	-------------------------------	-----	--------	----	------



Toilet - Compression x Compression - Angle

OCR1912DLX C	026613154817	1/2" Nom Comp x 3/8" OD Comp	12"	Chrome	50	24.4
--------------	--------------	------------------------------	-----	--------	----	------



Toilet - FIP x Compression - Angle

OR1712DLX C	026613154732	1/2" FIP x 3/8" OD Comp	12"	Chrome	50	24.3
-------------	--------------	-------------------------	-----	--------	----	------



■ Denotes best selling Supply Kits.

NOTE: All faucet connections come 2pc per pack



PART NO.	UPC	DESCRIPTION	LENGTH	FINISH	QTY	LBS
Toilet - Sweat x Compression - Angle						
R1912DLX C	026613154763	1/2" Nom Sweat x 3/8" OD Comp	12"	Chrome	50	25.2



PART NO.	UPC	DESCRIPTION	LENGTH	FINISH	QTY	LBS
Toilet - 1/4 Turn Ball 5" Sweat Extension Tube x Compression - Angle						
KTCS401DLX C	026613154794	1/2" Nom Sweat x 3/8" OD Comp	12"	Chrome	50	28.5



PART NO.	UPC	DESCRIPTION	LENGTH	FINISH	QTY	LBS
Toilet - 5" Sweat Extension Tube x Compression - Angle						
CS401DLX C	026613154848	1/2" Nom Sweat x 3/8" OD Comp	12"	Chrome	50	28.5



PART NO.	UPC	DESCRIPTION	LENGTH	FINISH	QTY	LBS
Toilet - 5" Sweat Extension Tube x Compression - Straight						
CS403DLX C	026613154824	1/2" Nom Sweat x 3/8" OD Comp	12"	Chrome	50	30.1

■ Denotes best selling Supply Kits.

NOTE: All faucet connections come 2pc per pack

PART NO.	UPC	DESCRIPTION	LENGTH	FINISH	QTY	LBS
----------	-----	-------------	--------	--------	-----	-----

Faucet - 1/4 Turn Ball Compression x Compression Angle Stop, Compression x FIP Braided Connector

KTCR19B16AX C	026613140100	1/2" Nom Comp x 3/8" OD Comp 3/8" Comp x 1/2" FIP	16"	Chrome	50	25.6
KTCR19B20AX C	026613140094	1/2" Nom Comp x 3/8" OD Comp 3/8" Comp x 1/2" FIP	20"	Chrome	50	28.1



Faucet - 1/4 Turn Compression x Compression Angle Stop, Compression x FIP Braided Connector

G2CR19B16AX C	026613140049	1/2" Nom Comp x 3/8" OD Comp 3/8" Comp x 1/2" FIP	16"	Chrome	50	23.3
G2CR19B20AX C	026613140032	1/2" Nom Comp x 3/8" OD Comp 3/8" Comp x 1/2" FIP	20"	Chrome	50	25.8



Faucet - Compression x Compression Angle Stop, Compression x FIP Braided Connector

OCR19B16AX C	026613140148	1/2" Nom Comp x 3/8" OD Comp 3/8" Comp x 1/2" FIP	16"	Chrome	50	23.7
OCR19B20AX C	026613140124	1/2" Nom Comp x 3/8" OD Comp 3/8" Comp x 1/2" FIP	20"	Chrome	50	26.2



Toilet - 1/4 Turn Ball Compression x Compression Angle Stop, Compression x Ballcock Braided Connector

KTCR19B12DLX C	026613154800	1/2" Nom Comp x 3/8" OD Comp 3/8" Comp x 7/8" Ballcock	12"	Chrome	50	23.8
----------------	--------------	---	-----	--------	----	------



Toilet - 1/4 Turn Compression x Compression Angle Stop, Compression x Ballcock Braided Connector

G2CR19B12DLX C	026613155036	1/2" Nom Comp x 3/8" OD Comp 3/8" Comp x 7/8" Ballcock	12"	Chrome	50	21.4
----------------	--------------	---	-----	--------	----	------



Toilet - Compression x Compression Angle Stop, Compression x Ballcock Braided Connector

OCR19B12DLX C	026613154831	1/2" Nom Comp x 3/8" OD Comp 3/8" Comp x 7/8" Ballcock	12"	Chrome	50	21.8
---------------	--------------	---	-----	--------	----	------





PART NO.	UPC	DESCRIPTION	FINISH	QTY	LBS
Copper Tubing - Dead Soft - Chrome Plated Slip Tube					
3360 C	026613041230	3/8" OD x 36" Long Slip Tube		64	22.9
1-72 C	026613041148	3/8" OD x 72" Long Slip Tube		20	15.4
3362 C	026613041254	1/2" OD x 36" Long Slip Tube		50	28.1

Tankless Water Heater Installation Kits

As the world leader in gas and water products, BrassCraft®'s tankless water heater installation kits are no exception. Our tankless water heater installation kits simplify the installation process with fewer connections and a clean, professional finish. Featuring independent, 1/4 turn water control, BrassCraft service valves make it simple to service and test the appliance.

Large Capacity Gas Connector

with exclusive ProCoat® corrosion resistant coating

Built-In Port for PR Valve

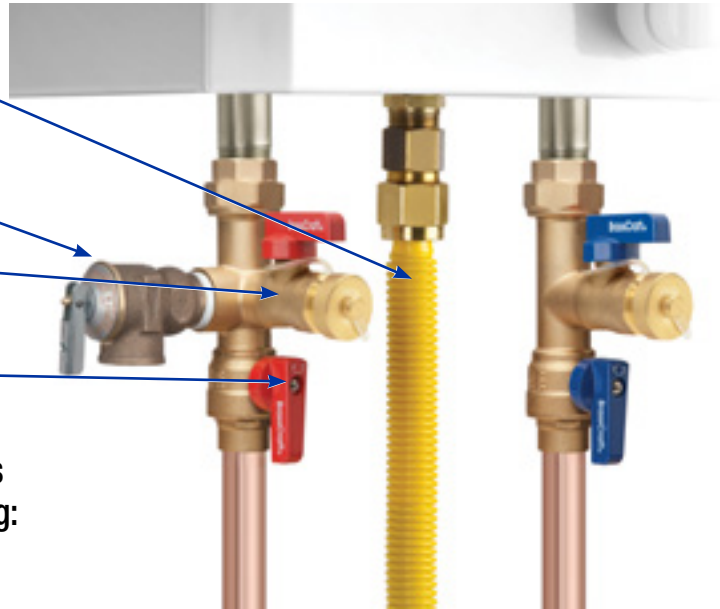
reduces the number of connections required

Integrated Drain Valve

with independent, 1/4 turn operation

Right-Sized Handles

color coded and great for tight installations



BrassCraft's Tankless Water Heater kits offer a wide range of features including:

- One-Piece, Forged Brass Body
- Drain Valve with Brass Safety Cap
- 3/4" ID Coated Stainless Steel Gas Connector
- Available in Sweat & IPS Configurations
- Optional Full-Port Gas Ball Valve



PART NO.	UPC	DESCRIPTION	FINISH	QTY	LBS
----------	-----	-------------	--------	-----	-----

Service Valve Kits

TWW30X	026613141350	IPS x IPS Service Valve Kit		6	7.8
--------	--------------	-----------------------------	--	---	-----



TWW3SX	026613141411	Sweat x IPS Service Valve Kit		6	8.5
--------	--------------	-------------------------------	--	---	-----



Service Valve Kits with PRV

TWW30RX	026613141343	IPS x IPS Service Valve Kit with Pressure Relief Valve (200 kBtu/hr)		6	10.8
---------	--------------	--	--	---	------





PART NO.	UPC	DESCRIPTION	FINISH	QTY	LBS
Service Valve Kits with PRV (cont.)					
TWV3SRX	026613141404	Sweat x IPS Service Valve Kit with Pressure Relief Valve (200 kBtu/hr)		6	11.5



Service Valve Kits with Gas Connector					
TK30RB21-18X	026613141367	IPS x IPS Service Valve Kit with 3/4" ID (3/4" FIP x 3/4" MIP) x 18" Yellow Coated Gas Connector & PR Valve		3	10.0
TK30RB21-24X	026613141374	IPS x IPS Service Valve Kit with 3/4" ID (3/4" FIP x 3/4" MIP) x 24" Yellow Coated Gas Connector & PR Valve		3	10.2



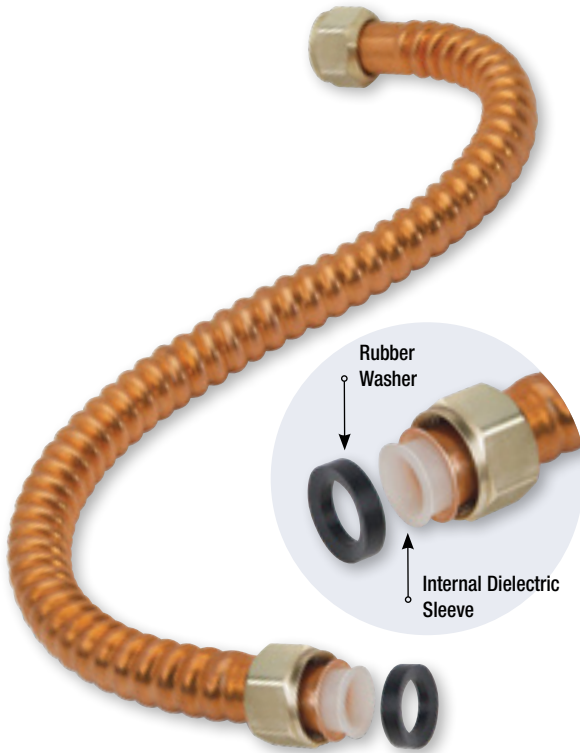
TK3SRB21-18X	026613141923	Sweat x IPS Service Valve Kit with 3/4" ID (3/4" FIP x 3/4" MIP) x 18" Yellow Coated Gas Connector & PR Valve		3	10.3
TK3SRB21-24X	026613141930	Sweat x IPS Service Valve Kit with 3/4" ID (3/4" FIP x 3/4" MIP) x 24" Yellow Coated Gas Connector & PR Valve		3	10.6



Service Valve Kits with Gas Connector & Gas Ball Valve					
TK30RB21-18G3X	026613141381	IPS x IPS Service Valve Kit with 3/4" ID (3/4" FIP x 3/4" MIP) x 18" Yellow Coated Gas Connector, 3/4" Full-Port Gas Ball Valve & PR Valve		3	11.9
TK30RB21-24G3X	026613141398	IPS x IPS Service Valve Kit with 3/4" ID (3/4" FIP x 3/4" MIP) x 24" Yellow Coated Gas Connector, 3/4" Full-Port Gas Ball Valve & PR Valve		3	12.2

Copper-Flex™ Water Heater Connectors

Patented Resistance Against Galvanic Corrosion



Internal Dielectric Sleeve

Effectively separates dissimilar metals within the waterway to prevent galvanic corrosion.

No Dielectric Union Needed

Dielectric sleeve eliminates the need for a dielectric union (plastic lined nipple).

Less Torque to Seal

Rubber washer is more resilient than PEX and easier to install on rough nipple surfaces.

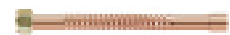
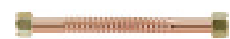
Longer Connector Nuts

A greater number of thread-to-thread contact provides a better seal to lined nipples.

Available for PEX connections



PART NO.	UPC	DESCRIPTION	FINISH	QTY	LBS
7/8" OD Tube - FIP X FIP					
WB00-12N	026613089287	3/4" FIP x 3/4" FIP	12"	25	10.3
WB00-15N	026613089300	3/4" FIP x 3/4" FIP	15"	25	11.9
WB00-18N	026613089331	3/4" FIP x 3/4" FIP	18"	25	13.8
WB00-24N	026613089348	3/4" FIP x 3/4" FIP	24"	25	17.4
WB10-18N	026613131504	1" FIP x 3/4" FIP	18"	25	17.1
7/8" OD Tube - FIP x Male Sweat					
WB03-18N	026613089386	3/4" FIP x 3/4" Nom Male Sweat (7/8" OD)	18"	25	12.2
WB03-24N	026613089393	3/4" FIP x 3/4" Nom Male Sweat (7/8" OD)	24"	25	15.8
7/8" OD Tube - FIP x Male/Female Sweat					
WB034-12N	026613089409	3/4" FIP x 3/4" Nom Male/Female Sweat (7/8" ID)	12"	25	8.7
WB034-15N	026613089416	3/4" FIP x 3/4" Nom Male/Female Sweat (7/8" ID)	15"	25	10.3
WB034-18N	026613089423	3/4" FIP x 3/4" Nom Male/Female Sweat (7/8" ID)	18"	25	12.2
WB034-24N	026613093710	3/4" FIP x 3/4" Nom Male/Female Sweat (7/8" ID)	24"	25	15.8
WB134-18N	026613110608	1" FIP x 3/4" Nom Male/Female Sweat (7/8" ID)	18"	25	15.5
WB134-24N	026613110615	1" FIP x 3/4" Nom Male/Female Sweat (7/8" ID)	24"	25	19.2



WARNING: For use with water in accessible locations only. DO NOT use with gas – gas will cause corrosion and leakage.

www.brasscraft.com

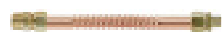
PART NO.	UPC	DESCRIPTION	LENGTH	QTY	LBS
----------	-----	-------------	--------	-----	-----

7/8" OD Tube - FIP x PEX Barb



WB07-18	026613048871	3/4" FIP x 3/4" PEX Barb (brass, pre-torqued)	18"	25	16.5
WB07-24	026613100661	3/4" FIP x 3/4" PEX Barb (brass, pre-torqued)	24"	25	20.2

7/8" OD Tube - FIP/MIP x PEX Barb



WB27-18	026613107950	3/4" FIP/MIP x 3/4" PEX Barb (brass, pre-torqued)	18"	25	21.0
---------	--------------	---	-----	----	------

7/8" OD Tube - FIP/MIP x FIP



WB20-12N	026613108254	3/4" FIP/MIP x 3/4" FIP	12"	25	14.8
WB20-18N	026613097695	3/4" FIP/MIP x 3/4" FIP	18"	25	18.2
WB20-24N	026613097701	3/4" FIP/MIP x 3/4" FIP	24"	25	21.9

7/8" OD Tube - FIP/MIP x Male/Female Sweat



WB234-12N	026613093727	3/4" FIP/MIP x 3/4" Nom Male/Female Sweat (7/8" ID)	12"	25	13.2
WB234-15N	026613093734	3/4" FIP/MIP x 3/4" Nom Male/Female Sweat (7/8" ID)	15"	25	14.9
WB234-18N	026613093741	3/4" FIP/MIP x 3/4" Nom Male/Female Sweat (7/8" ID)	18"	25	16.6
WB234-24N	026613093758	3/4" FIP/MIP x 3/4" Nom Male/Female Sweat (7/8" ID)	24"	25	20.3

7/8" OD Tube - Female Sweat x Female Sweat



WC44-15	026613008318	3/4" Nom Female Sweat (7/8" ID) x 3/4" Nom Female Sweat (7/8" ID)	15"	25	8.7
WC44-18	026613008325	3/4" Nom Female Sweat (7/8" ID) x 3/4" Nom Female Sweat (7/8" ID)	18"	25	10.6

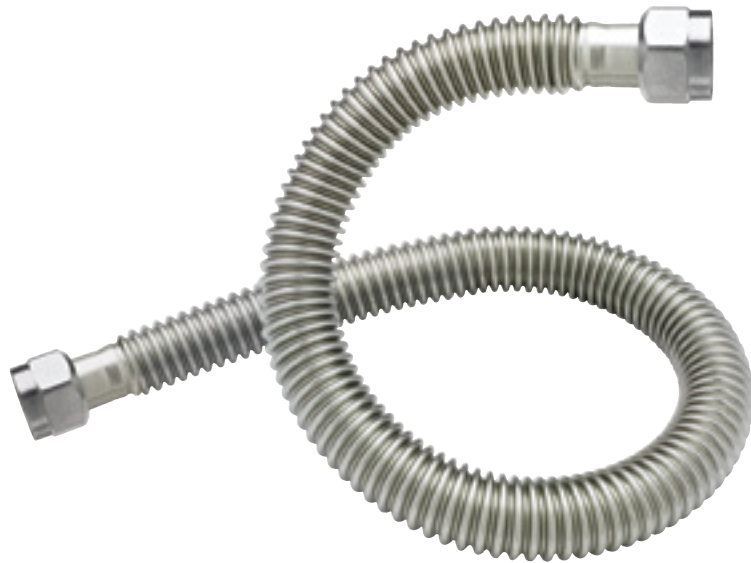
7/8" OD Tube - Female Sweat x Male Sweat



WC43-18	026613008288	3/4" Nom Female Sweat (7/8" ID) x 3/4" Nom Male Sweat (7/8" OD)	18"	25	10.6
---------	--------------	---	-----	----	------

ProCoat® Coated Stainless Steel Water Heater Connectors

Greater Flexibility, Superior Corrosion Resistance



Exclusive ProCoat® Clear Coat

Provides superior corrosion resistance to deterioration from harsh chemicals that can cause pin hole leaks.

Full Flow, Maximum Performance

With 3/4" full flow internal diameter, our connectors provide greater water flow without obstruction.

Integrated Dielectric Sleeve

Isolates dissimilar metals within the waterway, where galvanic and electrolytic corrosion have their greatest potential.

No Dielectric Union Needed

Integrated dielectric sleeve eliminates the need to install an additional dielectric union, reducing time and installation costs.

100% Leak Tested

Prior to coating application to ensure connector performance and reliability.



PART NO.	UPC	DESCRIPTION	LENGTH	QTY	LBS
3/4" ID Tube - FIP x FIP					
SWB00-12N	026613142562	(3/4" ID) 3/4" FIP x 3/4" FIP	12"	25	7.7
SWB00-15N	026613142579	(3/4" ID) 3/4" FIP x 3/4" FIP	15"	25	8.6
SWB00-18N	026613142586	(3/4" ID) 3/4" FIP x 3/4" FIP	18"	25	9.8
SWB00-24N	026613142593	(3/4" ID) 3/4" FIP x 3/4" FIP	24"	25	11.9
SWB07-18N	026613156781	(3/4" ID) 3/4" FIP x 3/4" PEX	18"	25	12.4
3/4" ID Tube - Push Connect x FIP					
SWB0PS-12N	026613166438	(3/4" ID) 3/4" Push Connect x 3/4" FIP	12"	25	11.8
SWB0PS-18N	026613165974	(3/4" ID) 3/4" Push Connect x 3/4" FIP	18"	25	13.8
SWB0PS-24N	026613166421	(3/4" ID) 3/4" Push Connect x 3/4" FIP	24"	25	16.0



WARNING: For use with water in accessible locations only. DO NOT use with gas – gas will cause corrosion and leakage.

PART NO.	UPC	DESCRIPTION	LENGTH	QTY	LBS
----------	-----	-------------	--------	-----	-----



Adaptors

WRU-12-12X	026613154213	Male Adaptor 3/4-14 Straight Male Pipe Thread x 3/4" MIP		200	36.8
------------	--------------	--	--	-----	------



Pipe Reducer Bushings

PRB-12-8X	026613151281	3/4" MIP x 1/2" FIP		5	150 13.8
-----------	--------------	---------------------	--	---	----------



Washers

WRJ	026613051963	Washer 1.020" OD x .687" ID x .240" Thick. For Copper Connectors with an Internal Dielectric Sleeve		1,000	5.3
-----	--------------	---	--	-------	-----



WWCD	026613051970	Washer .940" OD x .675" ID x .218" Thick. For Copper Connectors with an External Dielectric Sleeve		1,000	4.2
------	--------------	--	--	-------	-----

Part Numbering System

Iron Pipe Nipples

Fitting Type	Pipe Thread	Length	Finish	Option
113	06	2.5	C	X

Type	Code	Description
112		Close Pipe Nipples
113		Long Pipe Nipples

Pipe Thread	Code	Description
02		1/8" MIP
04		1/4" MIP
06		3/8" MIP
08		1/2" MIP
10		5/8" MIP
12		3/4" MIP
16		1" MIP

Length*	Code	Description
1.5		1-1/2"
2		2"
2.5		2-1/2"
3		3"
3.5		3-1/2"
4		4"
4.5		4-1/2"
5		5"
5.5		5-1/2"
6		6"

Finish	Code	Description
C		Chrome plated
R		Rough (unplated)

Option	Code	Description
X		100% Compliant

*For Close Nipples omit length

Working Pressures

Working pressures vary by type and size of tubing used, and style of fitting. However, based on .032 wall copper tubing, the pressures may range as follows depending on size:

CONNECTION TYPE PRESSURE	WORKING PRESSURE
Flare (1/8" to 3/4")	600 to 3,000 PSI
Compression	100 to 400 PSI
Iron Pipe	Up to 1,200 PSI
PEX Tubing	Up to 150 PSI
Polyethylene Tubing	Up to 80 PSI

Industry Standard Fittings

Fitting Type	Inlet Size	Outlet Size	Option	Finish
69	8	6	X	C

Type	Code	Description
62		Compression x Compression Union
65		Compression x Compression Elbow
68		MIP x Compression Union
69		MIP x Compression Elbow
70		FIP x Compression Elbow
462		Flare x Compression Union Adaptor

Inlet Size	Code	Description
4		1/4"
6		3/8"
8		1/2"
10		5/8"
12		3/4"
14		7/8"

Outlet Size	Code	Description
4		1/4"
6		3/8"
8		1/2"
10		5/8"
12		3/4"
14		7/8"

Option	Code	Description
DT		Drill-Through
(Modifier) X		100% Compliant

Finish	Code	Description
C		Chrome plated
R		Rough (unplated)

Fitting Thread Size Comparison Chart

SIZE	FLARE	COMPRESSION	PIPE
1/8	5/16-24	5/16-24	1/8-27
3/16	3/8-24	3/8-24	—
1/4	7/16-20	7/16-24	1/4-18
5/16	1/2-20	1/2-24	—
3/8	5/8-18	9/16-24	3/8-18
7/16	11/16-16	5/8-24	—
1/2	3/4-16	11/16-20	1/2-14
5/8	7/8-14	13/16-18	—
3/4	1-1/16-14	1-18	3/4-14
7/8	1-1/4-12	1-1/8-18	—
1	1-3/8-12	—	1-11-1/2

General Information

Most brass fittings have a temperature range of -65°F to 250°F. They can be used on copper, brass, aluminum, plastic, and welded steel.

Note: Compression fittings are not recommended for steel tubing.



PART NO.	UPC	DESCRIPTION	FINISH	QTY	LBS
Compression Unions					
62-6DTX	026613147871	3/8" OD Tube, Drill Through (No Tube Stop), Both Ends	Rough	25	1.8



Compression Reducing Unions					
C14X C	026613149066	5/8" OD Tube x 3/8" OD Tube, Drill Through (No Tube Stop)	Chrome	25	3.5



Compression Female Adaptors					
10X C	026613145266	3/8" OD Tube, Drill Through (No Tube Stop) x 3/8" FIP	Chrome	25	1.6



Compression Female Reducing Adaptors					
12X C	026613146171	3/8" OD Tube, Drill Through (No Tube Stop) x 1/2" FIP	Chrome	25	1.8



Compression Male Adaptors					
11X C	026613136172	3/8" OD Tube, Drill Through (No Tube Stop) x 3/8" MIP	Chrome	25	1.7
11X R	026613145297	3/8" OD Tube, Drill Through (No Tube Stop) x 3/8" MIP	Rough	25	1.7
33X C	026613147703	1/2" OD Tube, Drill Through (No Tube Stop) x 1/2" MIP	Chrome	25	3.0



68-8DTX	026613148649	1/2" OD Tube, Drill Through (No Tube Stop) x 1/2" MIP	Rough	25	3.0
---------	--------------	---	-------	----	-----



Compression Male Reducing Adaptors					
13X C	026613136264	3/8" OD Tube, Drill Through (No Tube Stop) x 1/2" MIP	Chrome	25	2.3
13X R	026613136257	3/8" OD Tube, Drill Through (No Tube Stop) x 1/2" MIP	Rough	25	2.3



Compression Reducing Union Elbows					
65-10-6X	026613148045	5/8" OD Tube x 3/8" OD Tube	Rough	10	1.7
65-10-6X C	026613148052	5/8" OD Tube x 3/8" OD Tube	Chrome	10	1.7



Compression Male Elbows					
69-6-6X	026613136325	3/8" OD Tube x 3/8" MIP	Rough	10	1.1
69-8-8X	026613148748	1/2" OD Tube x 1/2" MIP	Rough	10	1.9



Compression Male Reducing Elbows					
69-6-8X	026613136479	3/8" OD Tube x 1/2" MIP	Rough	10	1.2
69-6-8X C	026613148717	3/8" OD Tube x 1/2" MIP	Chrome	10	1.2
69-8-6X	026613136493	1/2" OD Tube x 3/8" MIP	Rough	10	1.3
69-10-8X	026613136516	5/8" OD Tube x 1/2" MIP	Rough	5	0.9



Compression Female Elbows					
70-6-6X	026613148793	3/8" OD Tube x 3/8" FIP	Rough	10	1.5



Compression Female Reducing Elbows					
70-6-8X	026613148809	3/8" OD Tube x 1/2" FIP	Rough	10	1.3
70-6-8X C	026613148816	3/8" OD Tube x 1/2" FIP	Chrome	10	1.4

PART NO.	UPC	DESCRIPTION	FINISH	QTY	LBS
----------	-----	-------------	--------	-----	-----

Compression Female Tee Adaptors

CT2-664X P	026613140933	3/8" OD Tube x 3/8" OD Tube x 1/4" Female Comp Nut	Rough	10	1.5
CT2-666X P	026613140926	3/8" OD Tube x 3/8" OD Tube x 3/8" Female Comp Nut	Rough	10	1.5



Flare Compression Adaptors

462-6-4X	026613154381	3/8" Female Flare, Fine Thread x 1/4" OD Tube	Rough	10	0.5
462-6-6X	026613154398	3/8" Female Flare, Fine Thread x 3/8" OD Tube	Rough	10	0.5
462-8-6X	026613155494	1/2" Female Flare, Fine Thread x 3/8" OD Tube	Rough	10	0.7



Sweat Compression Adaptors

24X R	026613147697	1/2" Nom Sweat x 1/4" OD Tube	Rough	25	1.2
14X C	026613146850	1/2" Nom Sweat x 3/8" OD Tube, Drill Through (No Tube Stop)	Chrome	25	1.5
14X R	026613140698	1/2" Nom Sweat x 3/8" OD Tube, Drill Through (No Tube Stop)	Rough	25	1.5



Garden Hose Dishwasher Elbows

HES-8-12X	026613160221	1/2" OD Comp x 3/4" Garden Hose w/ Washer	Rough	25	3.3
HES-6-12WNMX	026613160214	3/8" OD Comp x 3/4" Garden Hose, Comp Nut & Sleeve, Hose Washer Included	Rough	50	10.1





PART NO.	UPC	DESCRIPTION	FINISH	QTY	LBS
ΔCPVC Compression Reducing Adaptors					
P14CX R	026613154497	1/2" Nom CPVC x 3/8" OD Tube	Rough	10	1.5

Δ CPVC pre-torqued fittings eliminate the need for tightening on the job.

PART NO.	UPC	DESCRIPTION	FINISH	QTY	LBS
Pipe Nipples					
113-04-1.5-RX	026613145464	1/4" MIP x 1-1/2"	Rough	25	1.5
113-06-1.5-RX	026613145549	3/8" MIP x 1-1/2"	Rough	25	1.4
113-06-3-CX	026613145600	3/8" MIP x 3"	Chrome	25	3.2
113-06-3-RX	026613145617	3/8" MIP x 3"	Rough	25	3.2
113-06-4-CX	026613145679	3/8" MIP x 4"	Chrome	25	4.5
113-08-3-CX	026613145822	1/2" MIP x 3"	Chrome	5	0.7
113-08-4-CX	026613145891	1/2" MIP x 4"	Chrome	5	1.3
113-08-6-CX	026613145976	1/2" MIP x 6"	Chrome	5	2.0



Close Pipe Nipples					
112-04-RX	026613145310	1/4" MIP, Both Ends	Rough	25	0.7



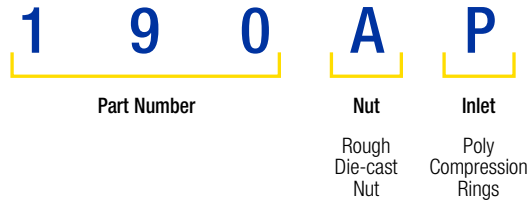
NOTE: Nipple length in excess of 6" are available. Contact your sales rep. for details.



PART NO.	UPC	DESCRIPTION	FINISH	QTY	LBS
Fine Thread Flare Nuts					
F0-6	026613004785	3/8" OD Tube (9/16-24 Thread)	Rough	10	0.2

Part Numbering System

Example:



Part Number

Basic part number.
1-3 digits.

Nut

- A Rough Die-cast Nut
- B Chrome Die-cast Nut
- C Rough Brass Nut
- D Chrome Brass Nut

Option

- P Poly Compression Rings
- L Lead Compression Rings
- R With Rubber Washer (P/N 90BR, 90DR, 94BR, 94DR, 96BR, 96DR, 98DR Only)

Waste Connectors Machined from Extruded Solid Brass

Entire connector body is produced from solid brass. Eliminates all potential pin holes and porosity.

- **Uniform Wall Thickness** – No variations in wall thickness. Close dimensional tolerances assured.
- **Better Threads** – Uniform cleaner threads ensure positive threaded connections. Less chance of cross-threading.
- **Cleaner, Smoother Water Ways** – Uniform smooth internal surfaces allow full unobstructed flow through connector.
- **Smooth Finished Appearance...Easier to Assemble** – No burrs or rough surfaces to catch or hang up during assembly.

PART NO.	UPC	DESCRIPTION	FINISH	QTY	LBS
Compression Male Waste Connectors (Female Sweat Tap)					
192B	026613002422	1-1/4" OD Tube x 1-1/2" MIP (Tapped 1-5/8" OD Female Sweat)	Die Cast, Chrome	25	8.1
196A	026613055824	1-1/2" OD Tube x 1-1/2" MIP (Tapped 1-5/8" OD Female Sweat)	Die Cast, Rough	25	8.2
196B	026613002439	1-1/2" OD Tube x 1-1/2" MIP (Tapped 1-5/8" OD Female Sweat)	Die Cast, Chrome	25	8.3
196C	026613055879	1-1/2" OD Tube x 1-1/2" MIP (Tapped 1-5/8" OD Female Sweat)	Brass, Rough	25	8.7



Compression Female Waste Connectors

191B	026613055671	1-1/4" OD Tube x 1-1/4" FIP	Die Cast, Chrome	25	8.0
193A	026613055770	1-1/4" OD Tube x 1-1/2" FIP	Die Cast, Rough	25	8.3
193B	026613002446	1-1/4" OD Tube x 1-1/2" FIP	Die Cast, Chrome	25	8.6
197A	026613055909	1-1/2" OD Tube x 1-1/2" FIP	Die Cast, Rough	25	8.5
197B	026613002453	1-1/2" OD Tube x 1-1/2" FIP	Die Cast, Chrome	25	9.2
197C	026613055947	1-1/2" OD Tube x 1-1/2" FIP	Rough Brass	25	9.6





PART NO.	UPC	DESCRIPTION	FINISH	QTY	LBS
Compression Female Sweat Waste Connectors					
199A	026613056036	1-1/2" OD Tube x 1-1/2" ID Female Sweat	Die Cast, Rough	25	9.0
199B	026613056043	1-1/2" OD Tube x 1-1/2" ID Female Sweat	Die Cast, Chrome	25	9.1



Compression Male Sweat Waste Connectors					
203A	026613056166	1-1/2" OD Tube x 1-1/2" OD Male Sweat	Die Cast, Rough	25	8.9



Compression Slip Nuts					
90B	026613056272	1-1/4" OD Tube x 1-1/4" FIP	Die Cast, Chrome	250	14.5



Compression Rings					
96	026613056432	1-1/2" OD Tube	Brass	300	8.5



96P	026613056548	1-1/2" OD Tube	Polyethylene	400	2.1
-----	--------------	----------------	--------------	-----	-----



Miscellaneous					
BC9441	026613012360	Dishwasher Air Gap 5/8" OD Inlet x 7/8" OD Outlet		10	3.4

PART NO.	UPC	DESCRIPTION	FINISH	QTY	LBS
Multi-Turn Supply Stop Components					
R15-5	026613041643	Bib Washer	Rubber	25	0.0
R10-2+5	026613041551	Stem & Bib Washer for Straight Stop	Brass	25	1.0
R15S-2+5 R	026613041735	Stem & Bib Washer for Angle Stop	Brass	25	1.3
R15S-2P+5	026613041742	Stem & Bib Washer for Angle or Straight Stop	P.O.M.	25	0.2
R15S-3 C	026613041759	Bonnet Nut for Oval Handle	Chrome	25	0.5
R15-78F	026613041681	Bonnet Packing	Rubber	25	0.0
R15-6P	026613041667	Thrust Washer	P.O.M.	25	0.0
R15-10T C	026613002132	Oval Handle	Zinc/ Chrome	25	0.6
R15-10TP C	026613134765	Oval Handle	ABS/ Chrome	25	0.2
XXR15-10R C	026613042046	Round Handle	Brass/ Chrome	25	1.5
S15-10 C	026613041780	Loose Key	Zinc/ Rough	25	1.3
R15-9 C	026613041704	Screw for Stop Handles	Steel/Zinc	25	0.1



Compression Nuts

61-4	026613006055	1/4" OD Tube	Rough	10	0.1
61-4 C	026613066783	1/4" OD Tube	Chrome	10	0.1
61-6	026613006079	3/8" OD Tube	Rough	10	0.2
61-6 C	026613066868	3/8" OD Tube	Chrome	10	0.2
61-7	026613066080	7/16" OD Tube	Rough	10	0.2
61-8	026613006086	1/2" OD Tube	Rough	10	0.4
61-8 C	026613066936	1/2" OD Tube	Chrome	10	0.4
61-10	026613006093	5/8" OD Tube	Rough	5	0.2
61-10 C	026613066660	5/8" OD Tube	Chrome	5	0.2



Compression Sleeves

60-4	026613005928	For 1/4" OD Tube	Brass	10	0.0
60-6	026613005942	For 3/8" OD Tube	Brass	10	0.0
60-8	026613005966	For 1/2" OD Tube	Brass	10	0.1
60-10	026613005973	For 5/8" OD Tube	Brass	5	0.0



PART NO.	UPC	DESCRIPTION	FINISH	QTY	LBS
----------	-----	-------------	--------	-----	-----

Compression Sleeves for Plastic Tube



60PT-4	026613005997	For 1/4" OD Tube	Plastic	10	0.0
60PT-6	026613006017	For 3/8" OD Tube	Plastic	10	0.0
60PT-8	026613006024	For 1/2" OD Tube	Plastic	10	0.0
60PT-10	026613006031	For 5/8" OD Tube	Plastic	10	0.0

Brass Inserts for Nylon & Plastic Hose



63PT-10X	026613152851	For 5/8" OD Tube	Brass	10	0.1
63PT-4X	026613152868	For 1/4" OD Tube	Brass	10	0.0
63PT-6X	026613152875	For 3/8" OD Tube	Brass	10	0.1
63PT-8X	026613147956	For 1/2" OD Tube	Brass	10	0.0

Compression Sleeves for Plastic Tube



TS-8X	026613097541	For 1/2" Nom Tube	Steel	10	0.1
-------	--------------	-------------------	-------	----	-----

ΔCPVC Solvent Weld Components



NSWRA1	026613041360	1/2" Nom Insert and Seal		5	0.1
--------	--------------	--------------------------	--	---	-----



NSWN-1 C	026613058382	1/2" Nom Nut	Chrome	5	0.3
----------	--------------	--------------	--------	---	-----

Riser Component Parts - Faucet



1AX	026613152820	3/8" Nosepiece (for tube solder application)	Brass	25	0.6
-----	--------------	--	-------	----	-----



R15-6	026613041650	Thrust Washer	Brass	25	0.1
-------	--------------	---------------	-------	----	-----



SJ300 C	026613067209	Faucet Shank Nut	Brass/ Chrome	25	0.7
---------	--------------	------------------	------------------	----	-----



SJ300 R	026613067216	Faucet Shank Nut	Brass/ Rough	25	0.1
---------	--------------	------------------	-----------------	----	-----

Riser Component Parts - Toilet



1DL	026613003832	Nosepiece for 3/8" OD Tube	Plastic	25	0.1
-----	--------------	----------------------------	---------	----	-----

Δ CPVC pre-torqued fittings eliminate the need for tightening on the job.

PART NO.	UPC	DESCRIPTION	FINISH	QTY	LBS
----------	-----	-------------	--------	-----	-----

Shallow Escutcheons

646	026613056883	3/8" IP Shallow (.680 ID)	Stainless Steel	300	8.6
647	026613056906	1/2" IP Shallow (.840 ID)	Stainless Steel	250	5.8
649	026613056920	1/2" Nom (5/8" OD) Shallow (.625 ID)	Stainless Steel	250	5.8



Bell Escutcheons

650 C	026613081786	3/8" IP (11/16" OD) Bell (.687 ID)	Chrome	250	9.4
651 C	026613056944	1/2" IP Bell (.844 ID)	Chrome	300	11.6
654 C	026613056975	1/2" Nom (5/8" OD) Bell (.630 ID)	Chrome	300	11.1



Cast Brass Escutcheons With Set Screw

CB646 C	026613057040	3/8" IP Shallow	Chrome	300	37.0
CB647 C	026613057057	1/2" IP Shallow	Chrome	300	36.7
CB649 C	026613057064	1/2" Nom (5/8" OD) Shallow	Chrome	300	36.2



Chrome Plated Brass Cover Tubes

8489 C	026613056999	3-1/2" Length for 1/2" Nom Copper Tube Use 650 C Bell Escutcheon	Chrome	150	8.4
8491 C	026613057019	36" Length for 1/2" Nom Copper Tube Use 650 C Bell Escutcheon	Chrome	40	27.8

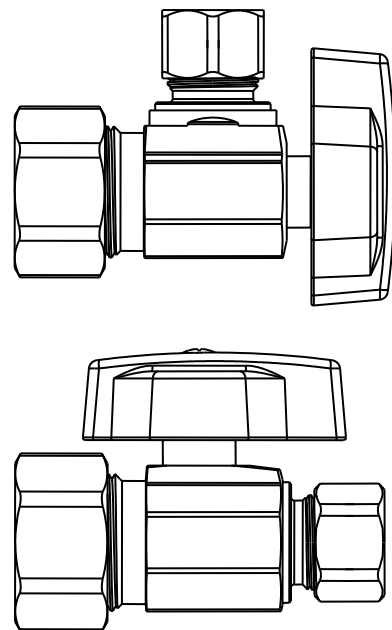


WATER SUPPLY STOPS – 1/4 TURN BALL STOP (KT™ SERIES)

Use: For use in potable water distribution systems

Design Features:

- **Machined one-piece brass body** provides strength, durability, and long-lasting performance
- **Easy-to-remove handle** protects accidental stop operation during rough-ins
- **Precision-machined brass ball** is specially engineered and mated with PTFE seats to provide smooth operation
- **Two high-performance o-rings** withstand high temperatures and corrosion
- **Blow-out proof brass stem** is assembled from the inside out with two o-rings to ensure safe, reliable performance
- **Plated stem** provides corrosion resistance and prevents o-ring damage after long periods of non-use
- **Metal handle** is designed for durability, corrosion resistance, and a sleek appearance
- **Dual Outlet and Dual Outlet/Dual Shut-off** configurations available
- **Available with** loose key handle variation
- **100% leak tested**



Operating Specifications:

Temperature: 40°- 180° F

Pressure: 125 PSI maximum

STOP MATERIAL SPECIFICATIONS

Body	<i>Brass, plated</i>
Stem	<i>Brass, plated</i>
Handle	<i>Zinc die cast</i>
Screw	<i>Steel, zinc plated</i>
Stem O-rings	<i>Rubber</i>
Ball	<i>Brass, plated</i>
Seat	<i>PTFE</i>
Compression Sleeve	<i>Brass</i>
Compression Nut	<i>Brass, plated</i>

Listings & Certifications:

- IAPMO listed to ASME A112.18.1 / CSA B125.1 (includes NSF/ANSI 372 and NSF/ANSI/CAN 61)



1/4 TURN SUPPLY VALVES – G2™ SERIES

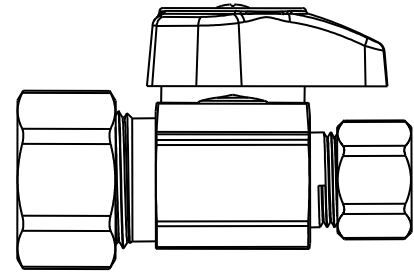
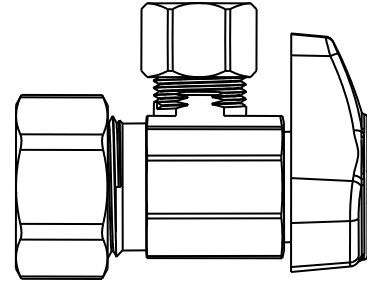
Use: For use in potable water distribution systems. Not intended for recirculating water systems that produce continuous use temperatures above 115° F.

Design Features:

- **One-piece shut-off mechanism** provides smooth on-off operation
- **Machined one-piece brass body** provides strength, durability, and long-lasting performance
- **Positive 1/4 turn shut off**
- **Easy-to-remove handle** protects accidental valve operation during rough-ins
- **100% leak tested**

Operating Specifications:

Temperature: 40°- 160° F
Pressure: 125 PSI maximum



VALVE MATERIAL SPECIFICATIONS

Body	<i>Brass, plated</i>
Handle	<i>ABS, plated or zinc die cast, plated</i>
Handle Screw	<i>Steel, zinc plated</i>
O-ring	<i>Rubber</i>
Stem Shaft	<i>Engineered polymer</i>
Stem Barrel	<i>TPE</i>
Compression Sleeve	<i>Brass</i>
Compression Nut	<i>Brass, plated</i>
PEX Insert*	<i>Stainless steel</i>

Listings & Certifications:

- IAPMO listed to ASME A112.18.1 / CSA B125.1 (includes NSF/ANSI 372 and NSF/ANSI/CAN 61)



1/4 TURN SUPPLY VALVES – PUSH CONNECT

Use: For use only in potable water distribution systems. Not intended for recirculating water systems that produce continuous use temperatures above 115° F.

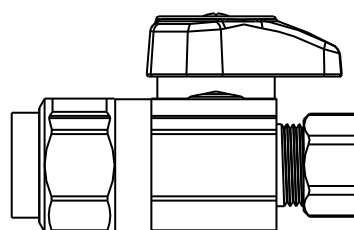
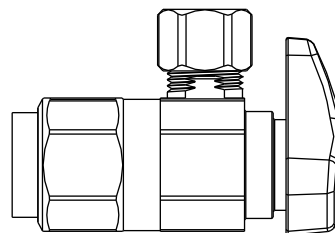
Design Features:

- **One-piece shut-off mechanism** provides smooth on-off operation
- **Compatible** with PEX, copper, and CPVC tubing
- **Pre-assembled tube insert** is “installation ready” for a faster connection
- **Fast**, reliable, and secure connection
- **Positive** 1/4 turn shut off
- **Easy-to-remove handle** helps protect against accidental valve operation during rough-ins
- **Compact, machined** one-piece body design
- **100% leak tested**

Operating Specifications:

Temperature: 40° - 160° F

Pressure: 125 PSI maximum



VALVE MATERIAL SPECIFICATIONS

Body	<i>Brass, plated</i>
Handle	<i>ABS, plated or zinc die cast, plated</i>
Handle Screw	<i>Steel, zinc plated</i>
Stem O-ring	<i>Rubber</i>
Stem Shaft	<i>Glass-filled polypropylene</i>
Stem Barrel	<i>TPE</i>
Push connect O-ring	<i>Rubber</i>
Tube Stiffener	<i>POM</i>
Gripper Ring	<i>Stainless steel</i>
Removal Collet	<i>Glass-filled nylon</i>
Compression Sleeve	<i>Brass</i>
Compression Nut	<i>Brass, plated</i>

Listings & Certifications:

- IAPMO listed to ASME A112.18.1 / CSA B125.1 (includes NSF/ANSI 372 and NSF/ANSI/CAN 61)

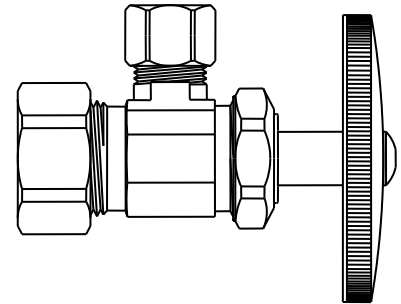
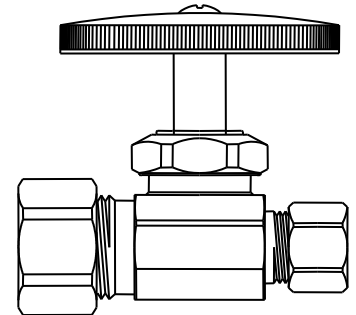


MULTI-TURN SUPPLY VALVES

Use: For use in potable water distribution systems. Not intended for recirculating water systems that produce continuous use temperatures above 115° F.

Design Features:

- **Machined one-piece brass body** provides strength, durability, and long-lasting performance
- **Easy-to-remove handle** protects accidental valve operation during rough-ins
- **Oval knurled handle** provides a secure grip and smooth on/off operation
- **Handle variations** available for specific configurations – see variations page
- **Dual outlet and dual outlet/dual shut-off** configurations available



Operating Specifications:

Temperature: 40° - 160° F

Pressure: 125 PSI maximum

VALVE MATERIAL SPECIFICATIONS	
Body	<i>Brass, plated</i>
Stem	<i>POM or brass, plated</i>
Handle	<i>Die cast zinc, plated; ABS, plated; or polycarbonate</i>
Handle Screw	<i>Steel, zinc plated</i>
Bib & Packing Washer	<i>Rubber</i>
PEX Insert*	<i>Stainless steel</i>
Compression Sleeve	<i>Brass</i>
Compression Nut	<i>Brass, plated</i>

Listings & Certifications:

- IAPMO listed to ASME A112.18.1 / CSA B125.1 (includes NSF/ANSI 372 and NSF/ANSI/CAN 61)



WATER SUPPLY CONNECTORS – SUPPLY RISERS, COPPER OR PEX

Use: For use in potable water distribution systems in accessible locations only.

Design Features:

- **One-piece** construction
- **Cut-to-length** for clean, professional installation

Operating Specifications:

Temperature 40° - 180° F
Pressure: 125 PSI maximum

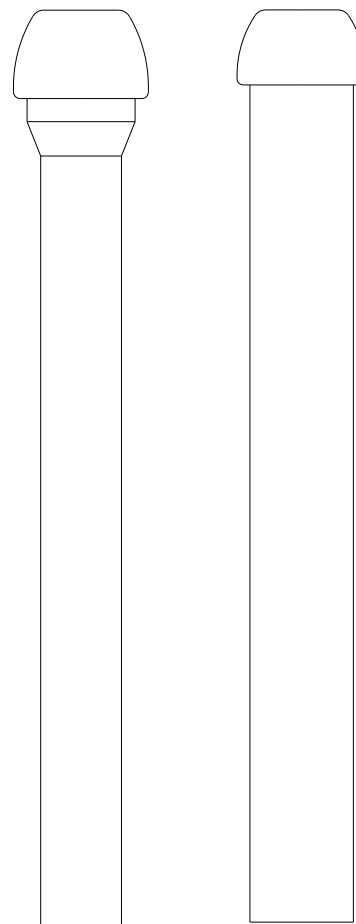
Tubing Diameter: 3/8" OD or 1/2" OD

CONNECTOR MATERIAL SPECIFICATIONS

Tube	<i>Cross-linked Polyethylene (PEX) or copper</i>
Compression Sleeve (3/8"OD)	<i>POM (PEX only)</i>
Insert	<i>POM (copper only)</i>
Optional Brass Nosepiece	<i>Low-Lead brass</i>
Optional Cone Washer	<i>Rubber</i>
Optional Brass Ring	<i>Brass</i>

Listings & Certifications:

- IAPMO listed to ASME A112.18.6 / CSA B125.6



RISER TUBES – PEX

Use: For use in potable water distribution systems in accessible locations only.

*Based on connector size, plastic tubing may require a plastic insert or sleeve (see 60PT & 63PT submittal forms for details).

Design Features:

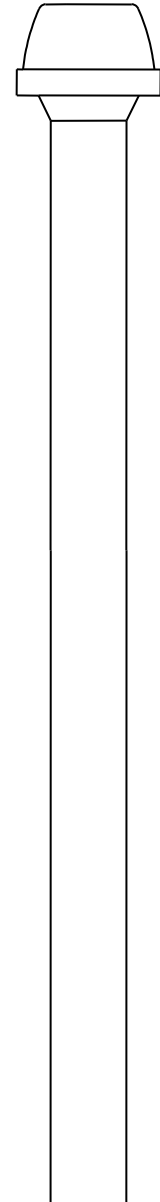
- **One-piece** construction
- **Cut-to-length** for clean, professional installation

Operating Specifications:

Temperature: 40°- 160° F

Pressure: 125 PSI maximum

Tubing Diameter: 3/8" OD or 1/2" OD



CONNECTOR MATERIAL SPECIFICATIONS	
Tube	<i>Cross-linked Polyethylene (PEX)</i>
Compression Sleeve (3/8"OD)	<i>POM</i>

Listings & Certifications:

- IAPMO listed to ASME A112.18.6 / CSA B125.6



WATER SUPPLY CONNECTORS – SPEEDI PLUMB® PLUS – FLEXIBLE POLYMER BRAIDED

Use: For use only in potable water distribution systems in accessible locations.

Design Features:

- **Corrosion resistance** to harsh chemicals found in most common household cleaning and plumbing repair products
- **Braided polymer-coated fibers** bend freely without kinking or crimping
- **Tough inner core** is reinforced to resist chlorine and chloramine leaching and deterioration
- **Rubber washers** provide a large pliable sealing surface and ensure a long lasting water-tight connection
- **Deep threaded wing nut** for quick and secure connections

Operating Specifications:

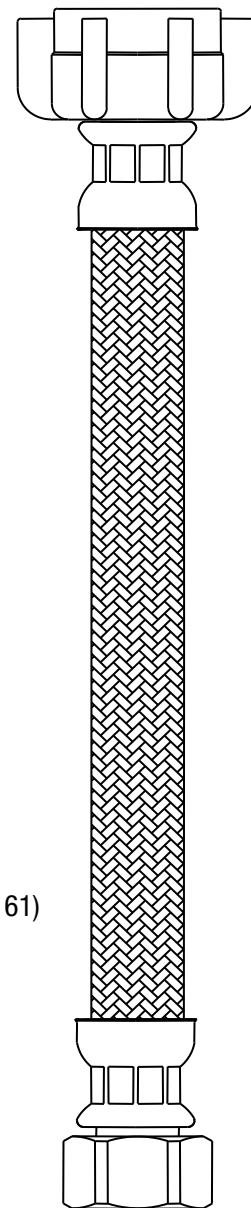
Temperature: 40° - 160° F, intermittent to 180° F
Pressure: 125 PSI maximum

CONNECTOR MATERIAL SPECIFICATIONS

Inner Hose	<i>Reinforced PVC</i>
Braiding	<i>PVC coated polyester yarn</i>
Barb	<i>Brass</i>
Ferrule	<i>Zinc-plated steel</i>
Nut	<i>Brass or polypropylene</i>
Washer	<i>Rubber</i>

Listings & Certifications:

- IAPMO listed to ASME A112.18.6 / CSA B125.6 (includes NSF/ANSI 372 and NSF/ANSI/CAN 61)



COPPER WATER HEATER CONNECTORS

Use: For use only in exposed locations to connect water heaters and other water connected devices to the water supply.

Design Features:

- **Built-in galvanic corrosion resistance.** Internal dielectric sleeve effectively isolates dissimilar metals within the waterway to prevent galvanic corrosion
- **No dielectric union needed** with installation. Dielectric is built into the design of the connector*
- **Nut provides** full thread engagement resulting in secure connection

Operating Specifications:

Temperature: 40° - 180° F
Pressure: 125 PSI maximum

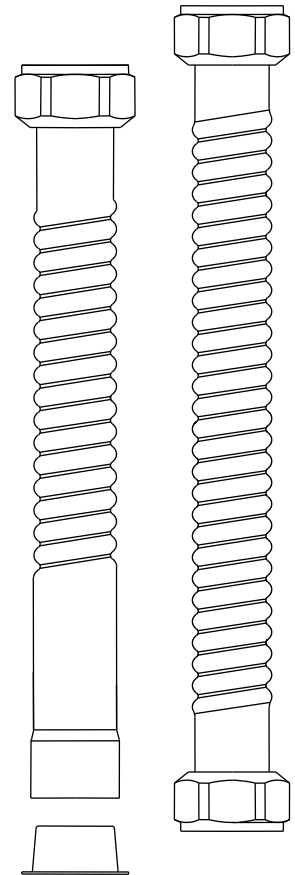
MATERIAL SPECIFICATIONS	
Tubing	<i>Copper</i>
Dielectric Sleeve	<i>Polypropylene</i>
Nut	<i>Brass</i>
End Fitting	<i>Brass</i>
Washer	<i>Rubber</i>

Listings & Certifications:

- IAPMO listed to ASME A112.18.6 / CSA B125.6



*Check with your local inspection office for applicable code requirements



PROCOAT® STAINLESS STEEL WATER HEATER CONNECTORS

Use: For use only in exposed locations to connect water heaters, water softeners, and other water connected devices to the water supply.

Design Features:

- **Corrosion resistant** coating to protect against harsh chemicals found in most common household cleaning, plumbing repair, and masonry products
- **Maximum performance.** ¾" internal diameter provides greater water flow without obstruction
- **Integrated dielectric sleeve** effectively isolates dissimilar metals within the waterway to help prevent galvanic and electrolytic corrosion
- **No dielectric union needed** with installation. Dielectric is built into the design of the connector*
- **Nut provides** full thread engagement resulting in a secure connection
- **100% leak tested** prior to coating application to help ensure connector performance and reliability

Operating Specifications:

Temperature: 40° - 180° F

Pressure: 125 PSI maximum

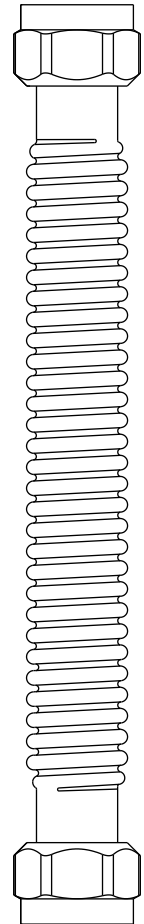
MATERIAL SPECIFICATIONS	
Tubing	<i>Stainless steel</i>
Dielectric Sleeve	<i>Polypropylene</i>
Nut	<i>Brass, chrome plated</i>
Washer	<i>Rubber</i>

Listings & Certifications:

- IAPMO listed to ASME A112.18.6 / CSA B125.6



*Check with your local inspection office for applicable code requirements



COMPRESSION FITTINGS

Use: For use with potable water, instrumentation, hydraulic, and pneumatic systems. Designed for use with aluminum, copper, and plastic tubing. Not intended for use with steel tubing.

* Plastic tubing requires a plastic insert and sleeve (see 60PT & 63PT).

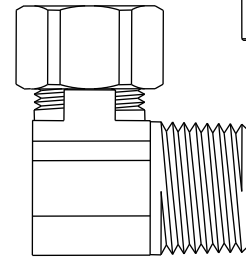
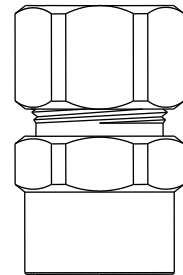
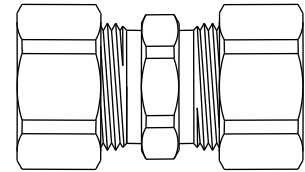
Design Features:

- **Little to no tube preparation.** Compression fittings do not require flaring, soldering, or other types of tube preparation
- **Available in** a broad range of sizes
- **Low-lead** product available

Operating Specifications:

Temperature: -65° - 250° F at maximum operating pressures
Working Pressure: See chart below
Vibration: Fair vibration resistance

WORKING PRESSURE		
PSI	Tube OD	Tube Wall (Inches)
400	1/8	0.030
400	3/16	0.030
300	1/4	0.030
300	5/16	0.032
200	3/8	0.032
200	1/2	0.032
150	5/8	0.035
100	3/4	0.035
75	7/8	0.035



Standard Product

FITTING MATERIAL SPECIFICATIONS	
Fitting Body	Brass
Compression Sleeve	Brass
Compression Nut	Brass
Option	Chrome plating

Low-lead Product

FITTING MATERIAL SPECIFICATIONS	
Fitting Body	Low-lead brass
Compression Sleeve	Brass
Compression Nut	Brass

FITTINGS – BRASS CPVC TRANSITION

Use: For use with water, grease, fuels, LP and natural gas, refrigeration, instrumentation, and hydraulic systems in low and medium pressure pipe line connections. Use in combination with brass, copper, and iron pipe.

Design Features:

- **Designed and manufactured** to SAE (Society of Automotive Engineers) thread standards
- **Available in** a broad range of sizes
- **Low-lead** product available

Operating Specifications:

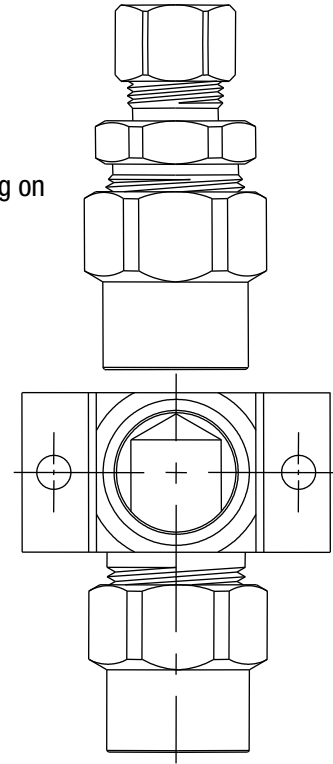
Temperature: See Catalog
Working Pressure: Up to 400 PSI – See Catalog
Vibration: Fair resistance to vibration and pipe movement depending on conditions

Standard Product

FITTING MATERIAL SPECIFICATIONS	
Fitting Body	Brass
CPVC Insert	CPVC
CPVC Washer	Rubber
CPVC Nut	Brass
Compression Sleeve	Brass
Compression Nut	Brass

Low-lead Product

FITTING MATERIAL SPECIFICATIONS	
Fitting Body	Low-lead brass
CPVC Insert	CPVC
CPVC Washer	Rubber
CPVC Nut	Brass
Compression Sleeve	Brass
Compression Nut	Brass



NIPPLES – BRASS PIPE

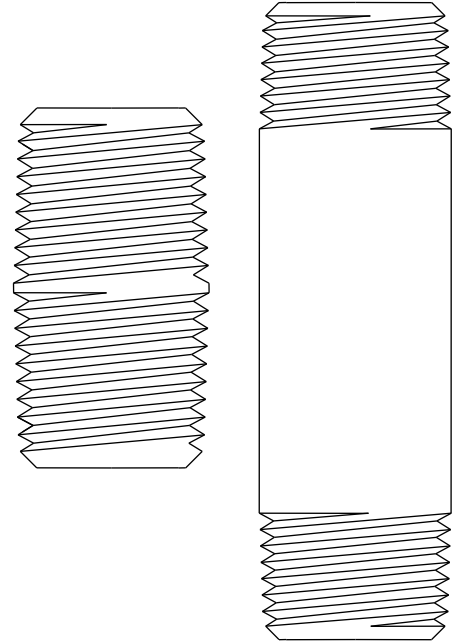
Use: For use with water, grease, fuels, LP and natural gas, refrigeration, instrumentation, and hydraulic systems in low and medium pressure pipe line connections. Use in combination with brass, copper, and iron pipe.

Design Features:

- **Designed and manufactured** to SAE (Society of Automotive Engineers) thread standards
- **Available** in a broad range of sizes
- **Low-lead** product available

Operating Specifications:

Temperature: -65° - 250° F
Working Pressure: Up to 1200 PSI
Vibration: Fair resistance to vibration and pipe movement depending on conditions



NIPPLE MATERIAL SPECIFICATIONS	
Nipple	<i>Yellow or Low-lead brass</i>

PART NO.	PAGE	PART NO.	PAGE	PART NO.	PAGE
10X C	52	197A	57	647.....	61
112-04-RX	55	197B	57	649.....	61
1-12A C.....	32	197C	57	650 C	61
1-12A R.....	32	199A	58	651 C	61
1-12DE C.....	33	199B	58	65-10-6X.....	52
1-12DL C.....	33	1AX	60	65-10-6X C	52
1-12K C.....	32	1DL	60	654 C	61
1-12KA R.....	32	203A	58	68-8DTX.....	52
1-12KC C.....	32	24X R	53	69-10-8X.....	52
1-12KC R.....	32	3-12A C.....	32	69-6-6X.....	52
113-04-1.5-RX.....	55	3-12DE C.....	33	69-6-8X.....	52
113-06-1.5-RX.....	55	3-12DL C.....	33	69-6-8X C	52
113-06-3-CX.....	55	3-15A C.....	32	69-8-6X.....	52
113-06-3-RX.....	55	3-20A C.....	32	69-8-8X.....	52
113-06-4-CX.....	55	3-20A R.....	32	70-6-6X.....	52
113-08-3-CX.....	55	3-30A C.....	32	70-6-8X.....	52
113-08-4-CX.....	55	3360 C	44	70-6-8X C	52
113-08-6-CX.....	55	3362 C	44	8489 C	61
1-15A C.....	32	3-36A C.....	32	8491 C	61
1-15DL C.....	33	33X C	52	90B	58
1-15KC C.....	32	462-6-4X.....	53	96.....	58
11X C	52	462-6-6X.....	53	96P.....	58
11X R	52	462-8-6X.....	53	B0-120IM P	38
1-20A C.....	32	60-10	59	B0-12IM F	38
1-20A R.....	32	60-4	59	B0-60IM F	38
1-20DE C.....	33	60-6	59	B0-60IM P	38
1-20DL C.....	33	60-8	59	B0-72IM F	38
1-20KC C.....	32	60PT-10	60	B0-72IM P	38
1-20KC R.....	32	60PT-4	60	B0-84IM P	38
12X C	52	60PT-6	60	B0-96IM P	38
1-30A C.....	32	60PT-8	60	B1-120DW F.....	37
1-30A R.....	32	61-10	59	B1-12A F.....	36
1-36A C.....	32	61-10 C.....	59	B1-12DL F.....	36
1-36A R.....	32	61-4	59	B1-12DLM F.....	37
13X C	52	61-4 C.....	59	B1-12DW F.....	37
13X R	52	61-6	59	B1-12KC F.....	36
14X C	53	61-6 C.....	59	B1-16A F.....	36
14X R	53	61-7	59	B1-16DL F.....	36
1-72 C.....	44	61-8	59	B1-16DW F.....	37
191B	57	61-8 C.....	59	B1-16KC F.....	36
192B	57	62-6DTX.....	52	B1-20A F.....	36
193A	57	63PT-10X	60	B1-20DL F.....	36
193B	57	63PT-4X	60	B1-20DW F.....	37
196A	57	63PT-6X	60	B1-20KC F.....	36
196B	57	63PT-8X	60	B1-24A F.....	36
196C	57	646.....	61	B1-30A F.....	36

PART NO.	PAGE	PART NO.	PAGE	PART NO.	PAGE
B1-36A F.....	36	BC8500	39	CR1900LX R1	26
B1-36DW F.....	37	BC8504	39	CR1900RX C1	26
B1-48A F.....	36	BC9441	58	CR1900RX R1	26
B1-48DW F.....	37	BC96X.....	29	CR1901DV SX C.....	28
B1-48DW12 P.....	38	BC97X.....	29	CR1901DV SX R.....	28
B1-48DW6 F.....	37	BF1-12A F.....	36	CR1901DVX C.....	28
B1-48DW6 P.....	37	BF1-12DL F.....	37	CR1901DVX R.....	28
B1-60DW F.....	37	BF1-16A F.....	36	CR1901LRX C1	26
B1-60DW1 P.....	38	BF1-16DL F.....	37	CR1901LRX R1	26
B1-60DW12 F.....	38	BF1-20A F.....	36	CR1903DVX R.....	28
B1-60DW12 P.....	38	BF1-20DL F.....	37	CR2901RX C1	26
B1-60DW6 F.....	37	BF3-12DL F.....	37	CR3901LX C1	26
B1-60DW6 P.....	37	BF3-12DLM F.....	37	CR3901LX R1	26
B1-6DL F.....	36	BF3-16DL F.....	37	CS400AX C.....	41
B1-72DW F.....	37	BF3-20DL F.....	37	CS401DLX C.....	42
B1-72DW1 P.....	38	BL12-48WA F.....	37	CS403DLX C.....	42
B1-72DW12 F.....	38	BL12-48WA P.....	37	CS40BX C.....	22
B1-72DW12 P.....	38	BL12-60WA F.....	37	CS40BX C1	22
B1-72DW6 F.....	37	BL12-60WA P.....	37	CS40X C.....	22
B1-72DW6 P.....	37	BL12-72WA F.....	37	CS41BX C.....	22
B1-9DL F.....	36	BL12-72WA P.....	37	CS41BX C1	22
B1U-48DW612 D.....	38	BL3-48DW F.....	38	CS41X C.....	22
B1U-72DW612 D.....	38	BL3-60DW F.....	38	CS47BX C.....	22
B2-12DL F.....	36	BL3-72DW F.....	38	CS600 R.....	32
B2-20A F.....	36	BRPX04X C.....	22	CT2-664X P.....	53
B2-20DL F.....	36	BRPX04X R.....	22	CT2-666X P.....	53
B3-12A F.....	36	BRPX09X C.....	22	DRS44MX R.....	24
B3-12DL F.....	36	BRPX09X R.....	22	DRS44MX R1.....	24
B3-16A F.....	36	BRPX14X C.....	22	DRS83X R.....	24
B3-20A F.....	36	BRPX14X C1	22	DRS83X R1	24
B3-20DL F.....	36	BRPX14X R.....	22	DRS84X R.....	24
B3-30A F.....	36	BRPX1901LRX R1	26	F0-6	56
B3-48DW F.....	38	BRPX19X C.....	22	G23301X C.....	15
B8-12A F.....	36	BRPX19X C1	22	G23301X C1	15
B8-12DL F.....	37	BRPX19X R.....	22	G23305X C.....	15
B8-16A F.....	36	BRPX1BX C.....	22	G23305X C1	15
B8-16DL F.....	37	BRPX44X R.....	23	G23341X C.....	14
B8-20A F.....	36	C14X C.....	52	G23341X C1	14
B8-20DL F.....	37	CB646 C.....	61	G23345X C.....	14
B8-24A F.....	36	CB647 C.....	61	G2BRPX09X C.....	15
B8-30A F.....	36	CB649 C.....	61	G2BRPX14X C.....	15
B8-36A F.....	36	CEPX19X C.....	23	G2BRPX14X C1.....	15
B8-48DW F.....	38	CR1900DV SX R.....	28	G2BRPX19X C.....	15
B8-48DW6 P.....	38	CR1900DVX C.....	28	G2BRPX19X C1.....	15
B8-60DW F.....	38	CR1900DVX R.....	28	G2BRPX44X C.....	15
B8-9DL F.....	37	CR1900LX C1	26	G2CEPX04X C.....	16

PART NO.	PAGE	PART NO.	PAGE	PART NO.	PAGE
G2CEPX09X C	15	G2R17X C	14	KTPR19X C1	10
G2CEPX14X C	16	G2R17X C1	14	KTR04X R	10
G2CEPX19X C	15	G2R17X R	14	KTR07X C	9
G2CP04X C1	17	G2R37X C	14	KTR09X C	10
G2CP09X C1	17	G2R37X C1	14	KTR10X C	9
G2CP14X C1	17	HES-6-12WNMX	53	KTR12X C	9
G2CP19X C1	17	HES-8-12X	53	KTR12X C1	9
G2CR09X C	14	KT3301X C	9	KTR14X C	10
G2CR09X C1	14	KT3341X C	9	KTR14X C1	10
G2CR09X R	14	KT3341X C1	9	KTR14X R	10
G2CR11X C	14	KT3345X C	9	KTR15X C	9
G2CR11X C1	14	KTBRPX14X C	10	KTR15X C1	9
G2CR14X C	14	KTBRPX1901DVX R	27	KTR17X C	9
G2CR14X C1	14	KTBRPX19X C	10	KTR17X C1	9
G2CR14X R	14	KTBRPX44X C	10	KTR19X C	10
G2CR19B12DLX C	43	KTCR04X C1	9	KTR19X C1	10
G2CR19B16AX C	43	KTCR04X R	9	KTR19X R	10
G2CR19B20AX C	43	KTCR09X C	9	KTR37X C	9
G2CR19PXX C	14	KTCR09X C1	9	KTSCR14X C	12
G2CR19X C	14	KTCR09X R	9	KTSCR19X C	12
G2CR19X C1	14	KTCR11FX C	9	KTSCS400AX C	12
G2CR19X R	14	KTCR11FX C1	9	KTSCS401DLX C	12
G2CR34X C	14	KTCR11X C	9	KTSCS40BX C	12
G2CR34X C1	14	KTCR14X C	9	KTSR14X C	12
G2CR39X C	14	KTCR14X C1	9	KTSR15X C	12
G2PR14X C	16	KTCR1900DVX R	27	KTSR17X C	12
G2PR14X C1	16	KTCR1900DVX R1	27	KTSR19X C	12
G2PR19X C	16	KTCR1901DVSX R	27	NSWN-1 C	60
G2PR19X C1	16	KTCR1901DVX R	27	NSWRA1	60
G2PR19X R	16	KTCR1901DVX R1	27	NV104-4-2X	29
G2PS09X C	16	KTCR1901X R1	26	NV104-EE1X K1	29
G2PS14X C	16	KTCR19B12DLX C	43	NV105-4X	29
G2PS14X C1	16	KTCR19B16AX C	43	NV105-6X	29
G2PS19X C	16	KTCR19B20AX C	43	03301X C	21
G2PS19X C1	16	KTCR19X C	9	03301X C1	21
G2QPS14X C	16	KTCR19X C1	9	03305X C	21
G2QPS19X C	16	KTCR34X C	9	03305X C1	21
G2R07X C	14	KTCR39X C	9	03341X C	20
G2R07X C1	14	KTCS400AX C	41	03341X C1	20
G2R07X R	14	KTCS401DLX C	42	03345X C	20
G2R10X C	15	KTCS40BX C	10	03345X C1	20
G2R10X C1	15	KTCS41BX C	10	OCR09X C	20
G2R12X C	15	KTPR04X R	11	OCR09X C1	20
G2R12X C1	15	KTPR14X C	11	OCR09X R	20
G2R15X C	14	KTPR14X C1	11	OCR11X C	20
G2R15X C1	14	KTPR19X C	10	OCR11X C1	20

PART NO.	PAGE	PART NO.	PAGE	PART NO.	PAGE
OCR11X R.....	20	OR35X C.....	21	R15S-3 C.....	59
OCR14PXX C.....	20	OR37X C.....	21	R1700DVX R.....	28
OCR14X C.....	20	OR37X C1.....	21	R1700RX C1.....	26
OCR14X C1.....	20	OR82X C.....	21	R1700RX R1.....	26
OCR14X R.....	20	OR90X C.....	21	R1701DVX R.....	28
OCR1912AX C.....	41	P1-12A.....	33	R1701LRX C1.....	26
OCR1912DLX C.....	41	P1-12DL.....	33	R1701LRX R1.....	26
OCR1915AX C.....	41	P1-15DL.....	33	R1901LRX C1.....	26
OCR1920AX C.....	41	P1-20A.....	33	R1901LRX R1.....	26
OCR19B12DLX C.....	43	P1-20DL.....	33	R1912AX C.....	41
OCR19B16AX C.....	43	P1-30A.....	33	R1912DLX C.....	42
OCR19B20AX C.....	43	P1-36A.....	33	R19X C.....	22
OCR19X C.....	20	P14CX R.....	54	R19X C1.....	22
OCR19X C1.....	20	PCT-10-6.....	16	R19X R.....	22
OCR19X R.....	20	PNEV-NCVX.....	29	R19X R1.....	22
OCR19X R1.....	20	PR09X R.....	23	R1BX C.....	22
OCR1BX C.....	20	PR14X C.....	23	R34X C.....	22
OCR1BX C1.....	20	PR14X C1.....	23	R34X R.....	22
OCR29X C1.....	20	PR14X R.....	23	R3701RX C1.....	26
OCR34X C.....	20	PR1901DVX R.....	28	R3701RX R1.....	26
OCR34X C1.....	20	PR1901LRX R1.....	26	R39X C.....	22
OCR3920AX C.....	41	PR19X C.....	23	S15-10 C.....	59
OCR39X C.....	20	PR19X C1.....	23	SJ300 C.....	60
OCR39X C1.....	20	PR19X R.....	23	SJ300 R.....	60
OCR39X R.....	20	PR39X C.....	23	SSR44MX R.....	24
OFR17X C.....	21	PR39X R.....	23	SSR83X R.....	24
OFR37X C.....	21	PRB-12-8X.....	50	SWB00-12N.....	49
OR07X C.....	20	R04X C.....	22	SWB00-15N.....	49
OR07X C1.....	20	R04X R.....	22	SWB00-18N.....	49
OR10X C.....	21	R04X R1.....	22	SWB00-24N.....	49
OR10X C1.....	21	R09X C.....	22	SWB07-18N.....	49
OR10X R.....	21	R09X R.....	22	SWBOPS-12N.....	49
OR12X C.....	21	R10-2+5.....	59	SWBOPS-18N.....	49
OR12X C1.....	21	R14X C.....	22	SWBOPS-24N.....	49
OR12X R.....	21	R14X C1.....	22	TK30RB21-18G3X.....	46
OR15X C.....	20	R14X R.....	22	TK30RB21-18X.....	46
OR15X C1.....	20	R14X R1.....	22	TK30RB21-24G3X.....	46
OR15X R.....	21	R15-10T C.....	59	TK30RB21-24X.....	46
OR1712AX C.....	41	R15-10TP C.....	59	TK3SRB21-18X.....	46
OR1712DLX C.....	41	R15-5.....	59	TK3SRB21-24X.....	46
OR1715AX C.....	41	R15-6.....	60	TS-8X.....	60
OR17X C.....	21	R15-6P.....	59	TWV30RX.....	45
OR17X C1.....	21	R15-78F.....	59	TWV30X.....	45
OR17X R.....	21	R15-9 C.....	59	TWV3SRX.....	46
OR32X C.....	21	R15S-2+5 R.....	59	TWV3SX.....	45
OR32X C1.....	21	R15S-2P+5.....	59	WB00-12N.....	47

PART NO.	PAGE	PART NO.	PAGE	PART NO.	PAGE
WB00-15N.....	47				
WB00-18N.....	47				
WB00-24N.....	47				
WB03-18N.....	47				
WB03-24N.....	47				
WB034-12N.....	47				
WB034-15N.....	47				
WB034-18N.....	47				
WB034-24N.....	47				
WB07-18.....	48				
WB07-24.....	48				
WB10-18N.....	47				
WB134-18N.....	47				
WB134-24N.....	47				
WB20-12N.....	48				
WB20-18N.....	48				
WB20-24N.....	48				
WB234-12N.....	48				
WB234-15N.....	48				
WB234-18N.....	48				
WB234-24N.....	48				
WB27-18.....	48				
WC43-18.....	48				
WC44-15.....	48				
WC44-18.....	48				
WRJ.....	50				
WRU-12-12X.....	50				
WWCD.....	50				
XXR15-10R C.....	59				