

Specification Submittal Data

Panasonic Radiation Damper for Ventilation Fans

Description:

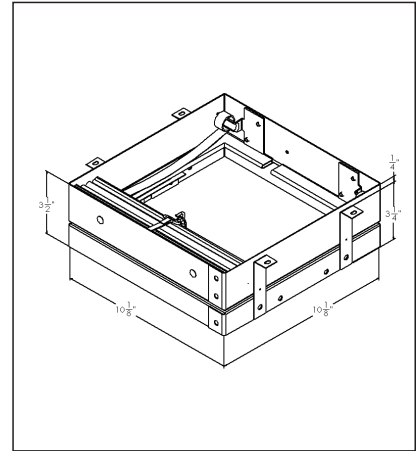
Radiation damper shall be assembled with select ENERGY STAR® rated ventilation fans, fan/lights and fans with motion/humidity sensors. Damper shall be UL and cUL listed for T-bar, hanger rod/wire ceiling installation and exceed UL 555C for use in 3-hour fire rated floor/ceiling or roof/ceiling assemblies. Radiation shall be Warnock-Hersey certified for use in wood frame floor/ceiling and roof/ceiling assemblies. Damper shall exceed National Fire Protection Agency NFPA-90A.

Features:

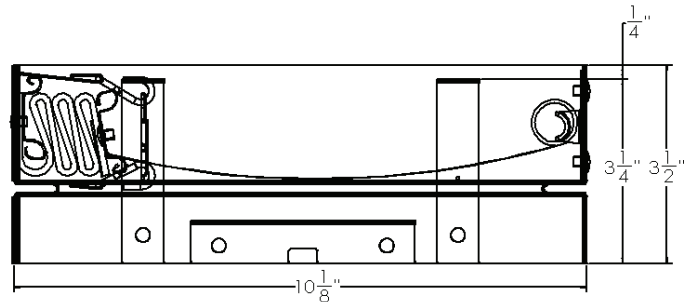
- UL listed and exceeds UL 555C for use in a 1, 2, or 3 hour fire-rated floor-ceiling and roof ceiling designs.
- Warnock-Hersey classified for wood frame assemblies.
- 165 degree Fahrenheit fusible link.
- High-temperature, non-asbestos, reinforced fiber thermal fabric.
- Galvanized steel frame.

UL listed assembly with Panasonic ENERGY STAR models:

- WhisperGreen®
- WhisperGreen-Lite™
- WhisperCeiling™
- WhisperLite®
- WhisperSense™
- WhisperSense-Lite™
- WhisperWelcome™
- WhisperFit™
- WhisperValue™



PC-RD05C4



File #: 3225-1598:100



File #: WHI-495-PSH-0177, -0178



File #: R16724

For complete Installation Instructions visit www.panasonic.com/building

Model	Quantity	Comments	Project:
			Location:
			Architect:
			Engineer:
			Contractor:
			Submitted by:
			Date:

Panasonic Eco Solutions North America
 Eco Products Division
 One Panasonic Way
 Secaucus, NJ 07094
www.panasonic.com/building