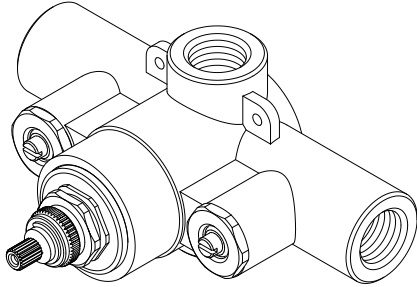


# THERMOSTATIC ROUGH-IN SHOWER VALVE

Product Code: SH6006 (3/4" NPT), SH6004 (1/2" NPT)



## Codes and Certifications



- Meets ASME A112.18.1 / CSA B125.1
- Massachusetts Accepted
- ASSE 1016 Type P/T

## Product Features

- Bronze valve body
- Factory-calibrated comfort setting at 104 degrees fahrenheit
- Water inlet stops and check valve
- Thermostatic technology keeps shower temperature  $\pm 1$  degree celsius
- Integrated adjustable temperature limit stop to control maximum water temperature
- Requires thermostatic trim (sold separately)
- Requires volume control valve and trim (sold separately)

## Optional Accessories

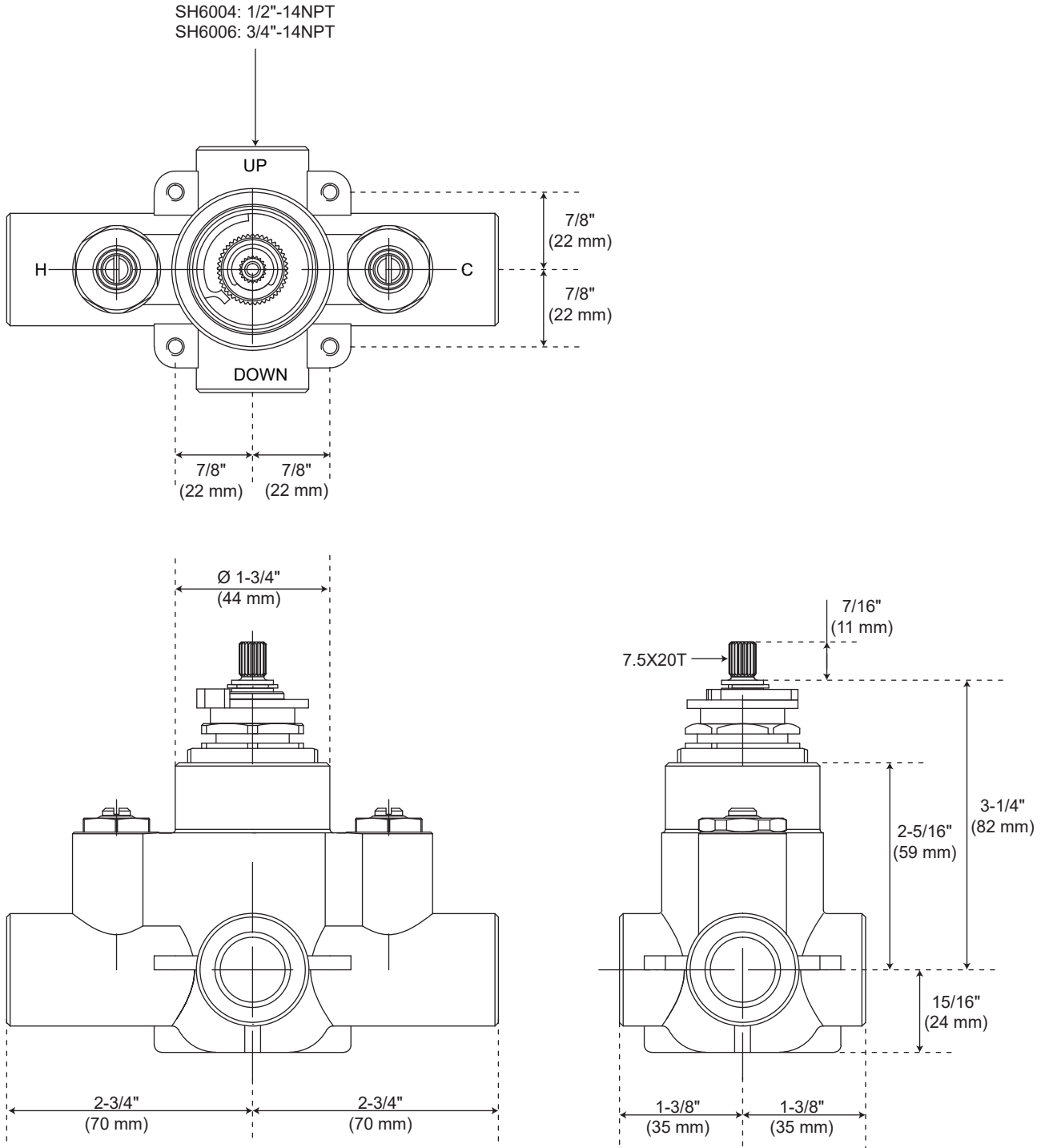
- SH6004EXT - Extension kit for 1/2" & 3/4" thermostatic rough-in valve
- SH6234 - Twin ell required when using with a diverter tub spout
- SH6006CRT - Replacement 3/4" cartridge
- SH6004CRT - Replacement 1/2" cartridge

Part Code	Pressure Differential - psi			
	20 psi	40 psi	60 psi	80 psi
SH6004	6.2 gpm (23.5 L/min)	9.1 gpm (34.6 L/min)	11.3 gpm (42.8 L/min)	13.4 gpm (50.8 L/min)
	8.4 gpm (31.7 L/min)	11.9 gpm (45.1 L/min)	16.1 gpm (61.1 L/min)	18.8 gpm (71.3 L/min)

Revised: 11/21/25

# THERMOSTATIC ROUGH-IN SHOWER VALVE

Product Code: SH6006 (3/4" NPT), SH6004 (1/2" NPT)



All dimensions and specifications are nominal and may vary. Use actual products for accuracy

Revised: 11/21/25