



CEILING RADIATION DAMPER
 FOR WOOD TRUSS CEILING ASSEMBLIES.
 ETL CLASSIFIED UL263/E119
REGISTER BOX * TOP INLET
MODEL: 241FRD/241RD



QUALIFICATIONS:

ETL CLASSIFIED UL263/E119 CEILING DAMPER

1 HOUR RATED FOR USE IN FLOOR/CEILING DESIGN NUMBERS:

L550/L562/L574/L579/L585/M503/L563/L546/L521

L528/L530/L570/L586 ROOF/CEILING DESIGN

NUMBERS: P531/P538/P545/P522/P533/P544/P548

MEETS NFPA 90A REQUIREMENTS

DESCRIPTION:

Ceiling dampers are designed to function as a heat barrier in air handling openings penetrating fire resistive membrane ceilings. The Model 241FRD has been especially designed to provide protection and for Simple installation in specific design wood truss ceiling assemblies.

The 241FRD assembly consist of a rectangular ceiling damper recessed in a sheet metal tapered register box (boot) with round inlet collar that accommodates a steel grill or register.

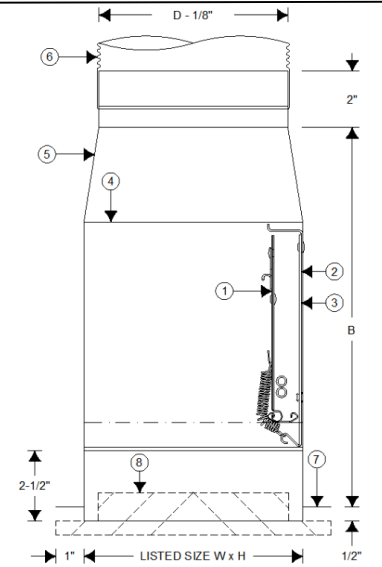
CONSTRUCTION:

1. Listed fusible link, 212 Degree F Standard.
2. Blades: 21Ga G60 Roll-Formed Galvanized Steel.
3. Blade Insulation: Non-Asbestos.
4. Damper Frame: 21Ga. G60 Galvanized Steel.
5. Steel Plenum: 24Ga Max. with round connector.
6. Class 0 or 1 Flexible duct connection by others.
7. Plaster flange with 1" wide by 1/2" Deep.
8. Steel grille/register (by Others). Standard Clearance Depth 2-1/2".
9. Max 144 square inches (can not exceed 14" in one dimension).

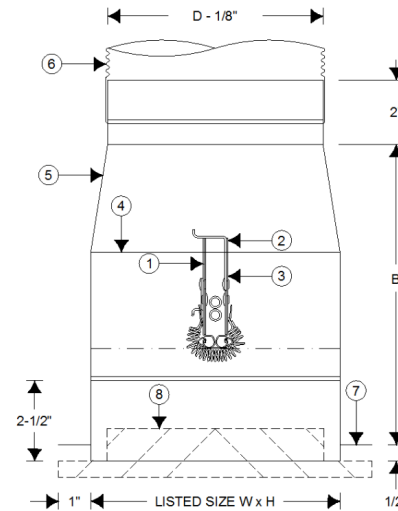
Options:

1. Non-standard temp. Listed Fusible Link 165 Degree F.
2. Installation Support Angles. 26 Long
 - a. 2 @ Standard boot rail (2 Sides)
 - b. 3/4" x 3/4" x 16 Ga Angle (Four Sides)
3. Available un-flanged (241RD)
 NOTE: Boot Rail option not available on (241RD)
4. Plaster flange available in 1/2" or 1".
5. Boot size determines single or double blade conf.

NOTE: Building Code and Classification require damper installation in accordance with manufacturer's installation instructions



SINGLE BLADE



DOUBLE BLADE

Height does not include drywall lip		
Appx. Dimensional Data		
Available Sizes		
W X H	Nom. Duct Size D	B
8 X 4	4", 5"	10"
10 X 4	4", 5", 6"	10"
12 X 4	6", 7", 8"	10"
8 X 6	6"	10"
10 X 6	5", 6", 7"	10"
12 X 6	6", 7", 8", 9"	10"
8 X 8	5", 6"	10"
10 X 8	7", 8"	10"
12 X 8	7", 8"	10"
9 X 9	8"	10"

Check dimensional data not listed with Manufacturer.

MODEL 241FRD/241RD

ROYAL METAL PRODUCTS INC. Reserves the right to change any information concerning this product or pricing without Notice.