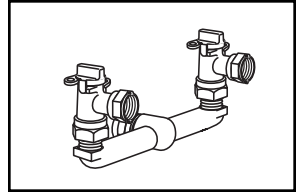
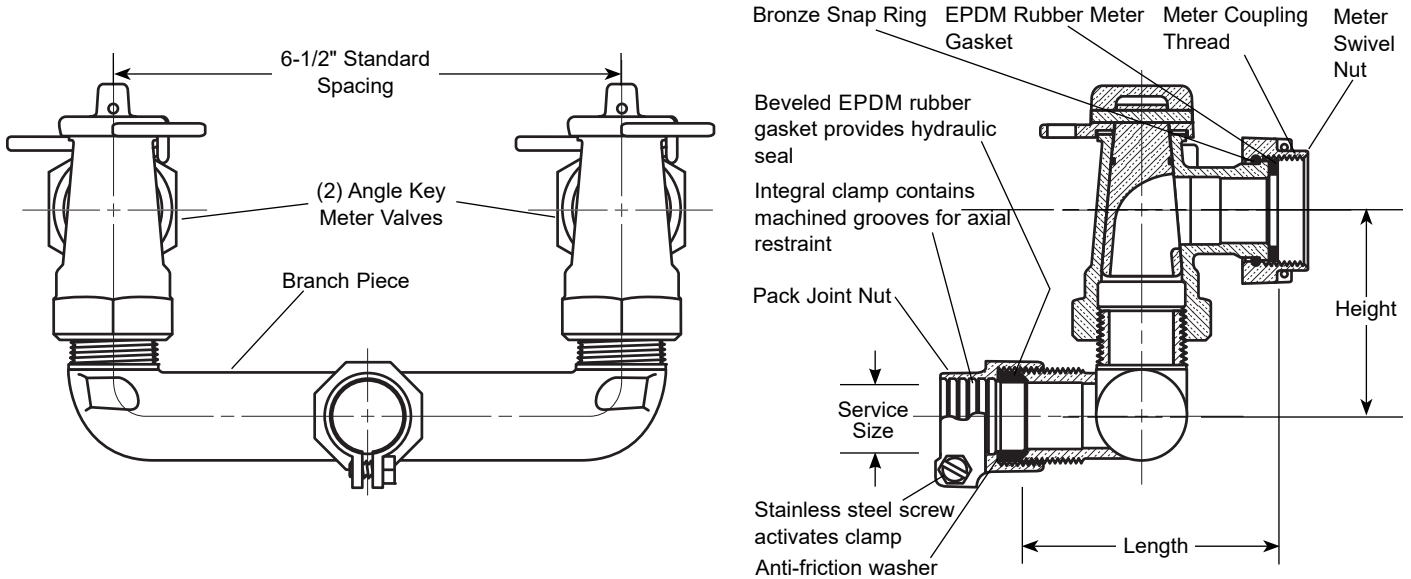


# SUBMITTAL INFORMATION

## Angle Key Valve Branch Assembly - (UAV43-xxW-65-NL style)



**PACK JOINT FOR COPPER OR PLASTIC TUBING (CTS) INLET BY TWO METER SWIVEL NUT OUTLETS**



SERVICE SIZE	METER SIZE	LENGTH	HEIGHT	APPROX. WT. LBS.	Components		Assembly CATALOG NUMBER	✓ SUBMITTED ITEM(S)
					BRANCH PIECE	VALVES (2)		
1"	5/8"	3-5/16"	2-1/2"	4.8	UA48-43-65-NL	KV13-331W-NL	UAV43-41W-65-NL	
1"	5/8"x3/4" & 3/4"	3-5/16"	2-1/2"	5.0	UA48-43-65-NL	KV13-332W-NL	UAV43-42W-65-NL	

**Note:** Ford recommends using insert stiffeners with plastic pipe and tubing.

### FEATURES

- All brass that comes in contact with potable water conforms to AWWA Standard C800 (ASTM B584, UNS C89833)
- The product has the letters "NL" cast into the main body for lead-free identification
- Brass components that do not come in contact with potable water conform to AWWA Standard C800 (ASTM B62 and ASTM B584, UNS C83600, 85-5-5-5)
- All branch valve assemblies have padlock wings
- Meter gaskets are furnished with all branch valve assemblies
- Valves meet 100 PSI pressure requirements of AWWA Standard C800
- Conforms to AWWA C700 for meter threads

The Ford Meter Box Company considers the information in this submittal form to be correct at the time of publication. Item and option availability, including specifications, are subject to change without notice. Please verify that your product information is current.



#### The Ford Meter Box Company, Inc.

P.O. Box 443, Wabash, Indiana U.S.A. 46992-0443  
 Phone: 260-563-3171 / Fax: 800-826-3487  
 Overseas Fax: 260-563-0167  
 www.fordmeterbox.com

05/15/17

Submitted By: