

Inline CP

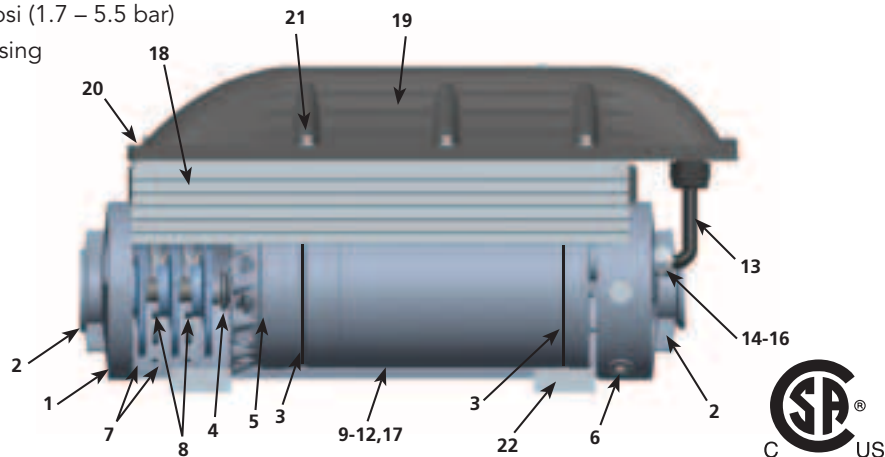
Constant Water Pressure System



Technical Information:

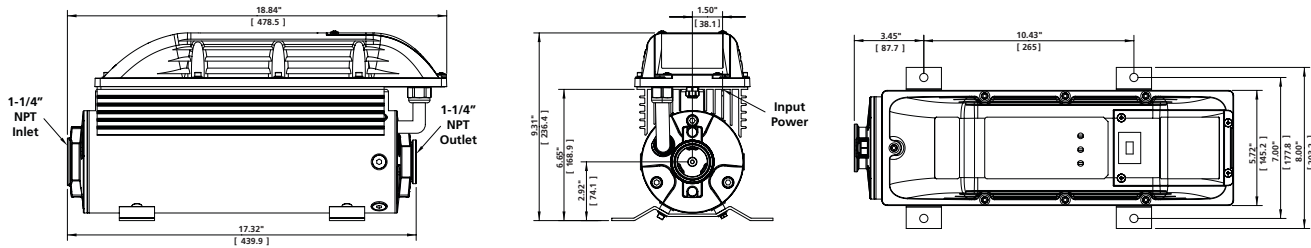
- Flow range:** Up to 35 gpm (135 lpm)
- Product power rating:** 1.2 hp (0.9 kW)
- Minimum incoming pressure:** 3 – 5 psi (0.2 – 0.3 bar)
- Minimum incoming flow and cisterns:** flooded suction without water vortexing
- Maximum incremental pressure boost:** 60 psi (4.1 bar)
- Maximum ambient operating temp:** Continuous Operation: 104 °F (40 °C)
- Maximum fluid operating temp:** 104 °F (40 °C)
- Incoming voltage:** 190 – 260 vac*
- Frequency:** 50/60 Hz
- Operating frequency range:** 20 – 63 Hz
- Current (maximum):** 12 Amps (rms)
- Pressure setting from factory:** 50 psi (3.4 bar)
- Pressure adjustment range:** 25 – 80 psi (1.7 – 5.5 bar)
- Relative humidity:** 0 – 100%, Condensing
- Shipping weight:** 50 lbs (22.7 kg)

*Drive will operate at reduced power level at 190 vac.

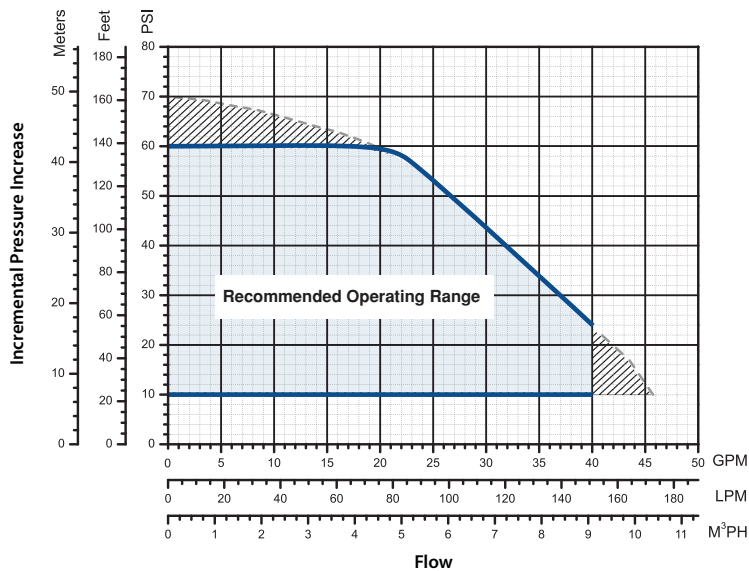


| Item | Description | |
|------|--------------------------------|---|
| 1 | Outer Shell | 300 Series SS — 1.5 mm thick |
| 2 | Suction/Discharge | 304 SS Casting. 1.25" NPT thread. Integrated ears to be able to hold other types of flanges if required |
| 3 | O-Rings | NBR — Nitrile Buna Rubber — Temp. rated to 104 °F (40 °C) |
| 4 | Pump Mechanical Seal | Carbide/Ceramic/Buna Rubber Seals |
| 5 | Internal Motor Seal | Silicon/Carbide/Buna Rubber Seals |
| 6 | Outer Shell Screws and Inserts | 316 SS |
| 7 | Pump Hydraulics | i.e. Impellers, Diffusers, Bowls — 316 SS |
| 8 | Floating Seal Rings | PTFE |
| 9 | Motor | Dry Design |
| 10 | Motor Bearings | Ball Bearing Type — 6202 double sealed on discharge end, 6303 — suction side — double sealed All pre-greased and rated to 104 °F (40 °C) |
| 11 | Motor Shaft | 304 SS |
| 12 | Motor Insulation | Class - F - IP68 rated |
| 13 | Motor Lead | 14 Ga SJOOW |
| 14 | Motor Cable Gland | CuZn — Nickel plated brass |
| 15 | Motor Lead Washers | 304 SS |
| 16 | Motor Lead Rubber Seal | Nitrile |
| 17 | Oil Chamber (Motor) | Filled with medical grade white oil — Marcol 82 |
| 18 | Heat Sink | Die cast aluminum |
| 19 | Drive Enclosure Material | Polycarbonate (Flame Retardant, UL 94 V-0) |
| 20 | Drive Gaskets | Close Cell Foam Nitrile Rubber |
| 21 | Drive Fasteners | 304 SS |
| 22 | Mounting Base | 300 Series SS |
| N/A | Shaft Coupling | 304 SS (Not Shown) |

Dimensions



Performance Curve



NOTE: Running outside of 'Recommended Operating Range' for short periods of time is permissible.

Ordering Information

| Model Description | Order No. | Input Voltage | Input Phase |
|--|-----------|---------------|-------------|
| 25LGIL1100N4 ¹ | 90411101 | 230 | Single |
| Drive Assembly | 305707907 | 230 | Single |
| Pump Motor Assembly | 305707902 | 230 | Single |
| Mounting Feet | 305707903 | N/A | N/A |
| Pressure Switch | 305707906 | N/A | N/A |
| Pressure Tank (2-gallon) | 14942302 | N/A | N/A |
| Fastener Kit | 305707904 | N/A | N/A |
| Pressure Switch Cable | 305707905 | N/A | N/A |
| Overpressure Switch ² | 305707909 | N/A | N/A |
| Overpressure Switch Cable ² | 305707908 | N/A | N/A |
| Overpressure Switch & Cable Combo ² | 305707912 | N/A | N/A |

¹ Includes pump, motor, drive, pressure switch, and all cables.

² Overpressure switch is sold as an accessory and is not required for normal operation.



Franklin Electric

400 East Spring Street, Bluffton, Indiana 46714

Tel: 260.824.2900 • Fax: 260.824.2909

www.franklin-electric.com

