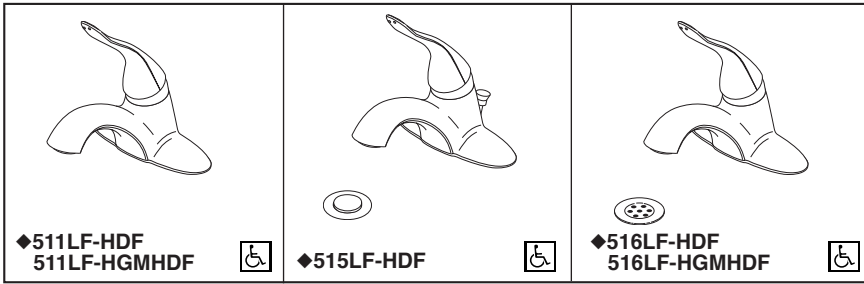


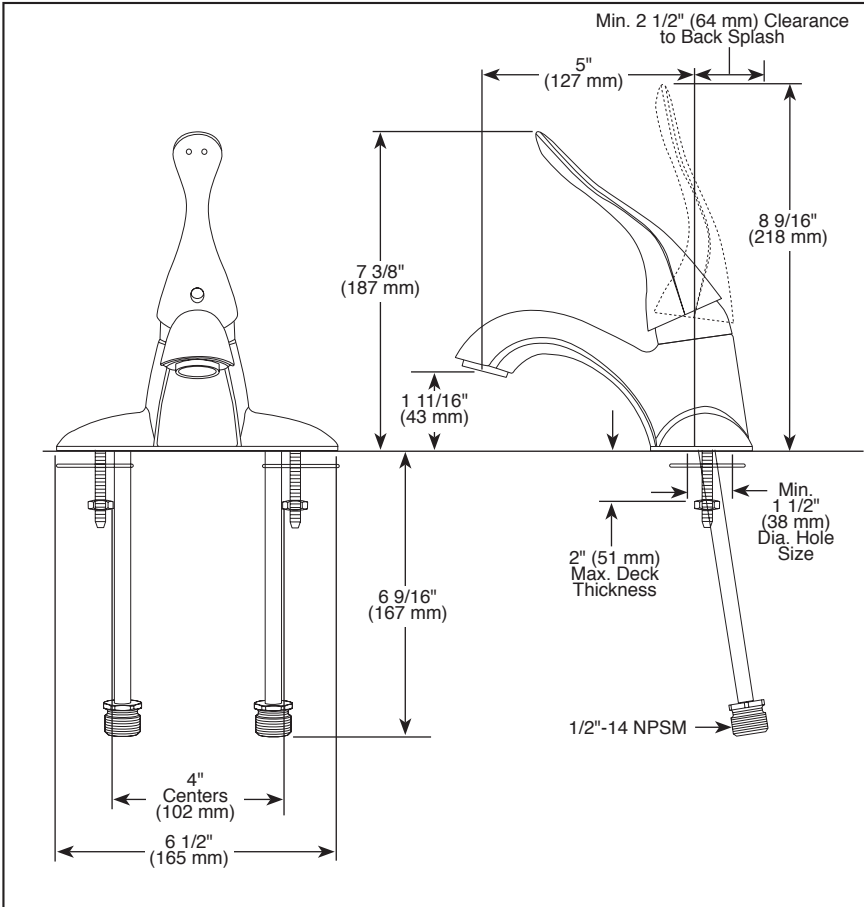


LAVATORY FAUCETS

- Single Handle
- Deck Mount
- 2 and 3 Hole Sink Applications
- 4" (102 mm) Centerset



Submitted Model No.: _____
 Specific Features: _____



STANDARD SPECIFICATIONS:

- Single handle lavatory deck faucets (for exposed mounting on two and three hole sinks).
- 4" (102 mm) centerset.
- Solid brass fabricated body.
- 5" (127 mm) long spout.
- Vandal resistant 6" (152 mm) elbow handle. Red/blue colored graphics indicate hot/cold temperature.
- Control mechanism is the diamond embedded ceramic disc cartridge.
- Control handle shall return to the neutral position when valve is turned off.
- Adjustable handle limit stop.
- Vandal resistant aerator or spray outlet.
- Models have 1/4" threaded mounting studs.
- Models have 3/8" O.D. copper supply tubes with 1/2"-14 NPSM adapters.
- Maximum 1.5 gpm @ 60 psi, 5.7 L/min @ 414 kPa.
 HGM (models only) max. 0.5 gpm @ 60 psi, 1.9 L/min @ 414 kPa.

WARRANTY

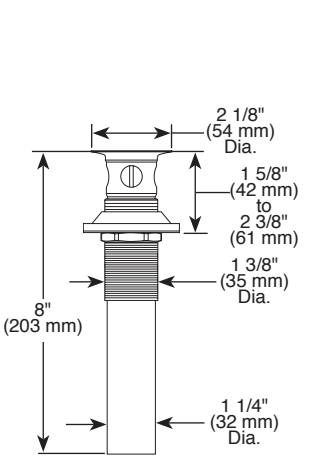
- Lifetime Faucet and Finish Limited Warranty to the original consumer purchaser to be free from defects in material and workmanship.
- 5 Year Limited Warranty for usage in all industrial, commercial and business applications.



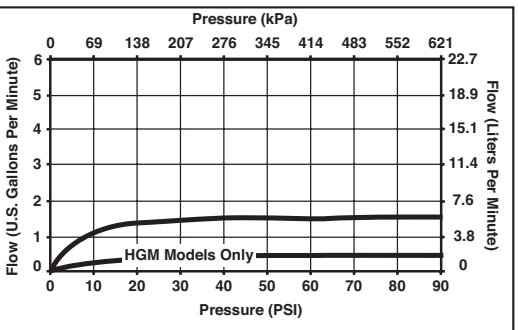
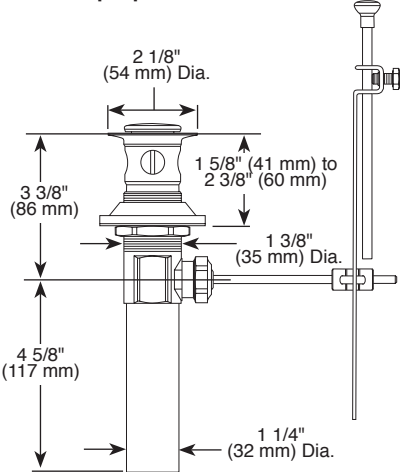
COMPLIES WITH:

- ASME A112.18.1 / CSA B125.1
- ASME A112.18.2 / CSA B125.2
- Indicates compliance to ICC/ANSI A117.1
- EPA WaterSense® Only models as indicated.
- Verified compliant with .25% weighted average Pb content regulations.

Metal Grid Strainer



Metal Pop-Up



Delta reserves the right (1) to make changes in specifications and materials, and (2) to change or discontinue models, both without notice or obligation. Dimensions are for reference only. See current full-line price book or www.specselect.com for finish options and product availability.



55 E. 111th Street, Indianapolis, Indiana 46280
 350 South Edgeware Road, St. Thomas, ON N5P 4L1
 © 2013 Masco Corporation of Indiana