

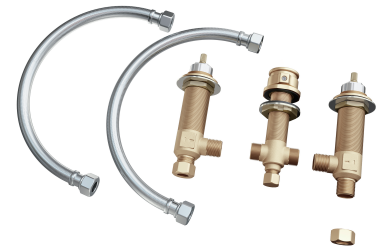
PF674163



# TWO HANDLE ROMAN TUB ROUGH-IN VALVE

## Product Features

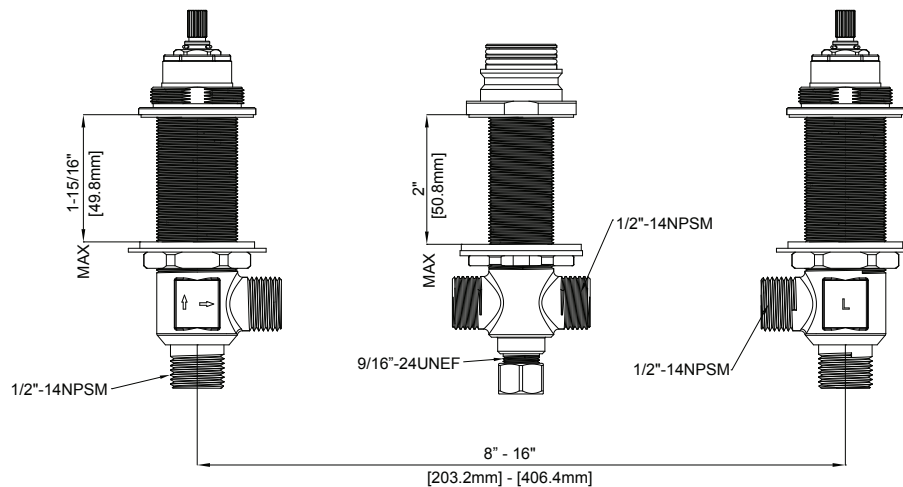
- Fits 3-hole
- Brass coupling nut
- The test cap is included
- Flow rate: 7.5 gpm at 20psi
- Meets : ASME A112.18.1/CSA B125.1
- cUPC/IAPMO listed



PF674163

## Model Numbers

PF674163



## Warranty and Codes

This product comes complete with installation, operating, care and maintenance instructions. This PROFLO faucet carries a limited lifetime warranty when installed in residential applications. The warranty is five years in commercial applications. This product meets ASME: A112.18.1.

