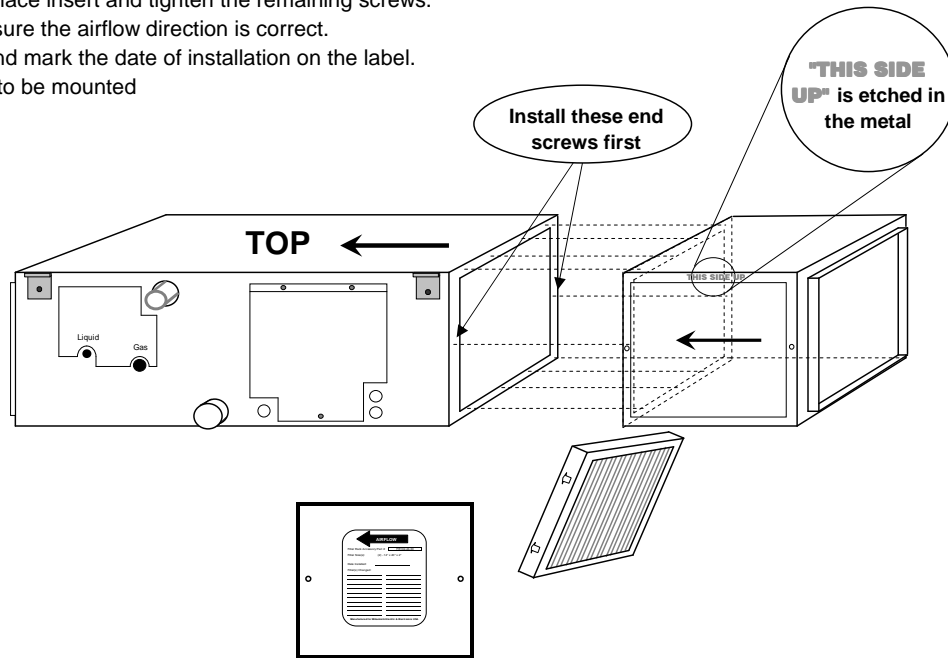


Installation Instructions for FBL Series filter box

Filter Box Model	Used with		Filter Box Dimensions			Filter(s) Included
	CITY MULTI	Mr. Slim	Height	Width	Depth	
FBL1-1	PEFY-P06,P08,P12-NMSU-E	SEZ-KD09NA	8"	27-5/8"	11"	(1) - 12" x 25" x 1"
FBL1-2	PEFY-P15,P18-NMSU-E	SEZ-KD12,KD15-NA	8"	35-1/2"	11"	(1) - 12" x 20" x 1", (1) - 12" x 14" x 1"
		PEA-A12AA				
FBL1-3	PEFY-P24-NMSU-E	SEZ-KD18NA	8"	43-3/8"	11"	(2) - 12" x 20" x 1"
		PEA-A18AA				

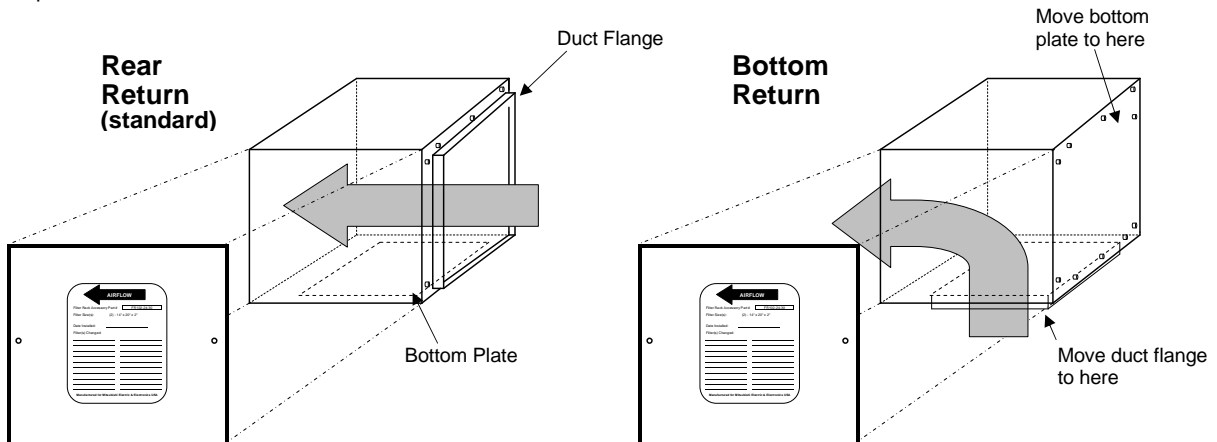
For ease in installation, the filter box should be attached before the indoor unit is mounted.

1. Open the filter box door and remove the filter(s)
2. Position the indoor unit and filter box as show below matching the top of the filter box to the top of the indoor unit.
3. Using the screws provided attach the filter box to the indoor unit. **Inserting the end screws first will line up the rest of the holes.**
4. Once the end screws are in place insert and tighten the remaining screws.
5. Reinstall the filter(s) making sure the airflow direction is correct.
6. Reinstall the filter box door and mark the date of installation on the label.
7. The indoor unit is now ready to be mounted



Converting the filter box from rear (as supplied) to bottom return

1. Remove rear duct flanges and bottom plate.
2. Install duct flanges on the bottom of the filter box.
3. Install the bottom plate on the rear of the filter box.



Manufactured for Mitsubishi Electric and Electronics USA