

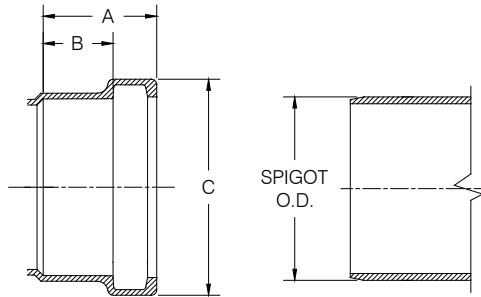
HARCO SDR-35 PVC GASKETED SEWER FITTINGS

DESIGN DATA

Applicable Standards:

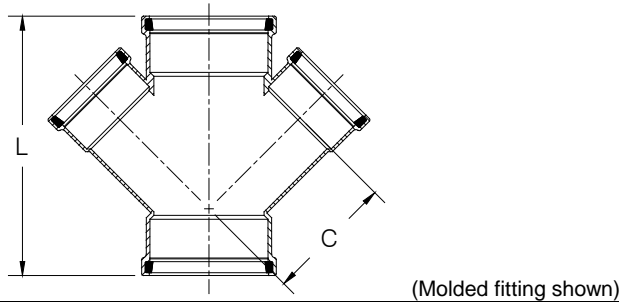
Fittings:	ASTM F-1336
Materials:	ASTM D-1784
Joints:	ASTM D-3212
Gaskets:	ASTM F-477
Installation:	ASTM D-2321

BELL SPECIFICATION



SIZE	STYLE	A	B	C	Spigot O.D.
4	M	2.72	1.8	5.19	4.215
6	M	3.47	2.5	7.38	6.275
8	M	4.02	3.0	9.62	8.40
10	F / M	7.5	4.8	12.0 / 12.2	10.50
12	F / M	7.5	4.8	14.2 / 14.4	12.50
15	F	7.5	4.8	17.1	15.3

DOUBLE WYE (G x G x G)



SIZE	PART #	STYLE	C	L	WT (approx.)
4	35-040404	F	5.2	11.8	3.0
6 x 4	35-040604	M	6.8	16.0	5.0
6	35-040606	M	8.0	16.0	8.0
8 x 4	35-040804	F	8.0	15.0	9.3
8 x 6	35-040806	F	9.2	18.5	11.9

Notes:

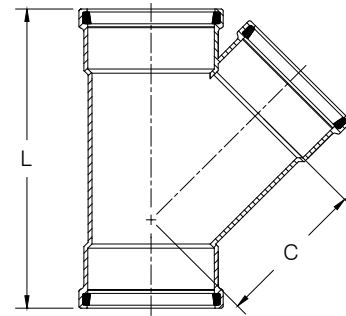
- All lay lengths & weights are approximate and are subject to change without notice
- Fabricated fitting configurations may vary

Style Legend:

M - One Piece Molded
 A - Assembled from Molded Components
 F - Fabricated
 FTO - Fabricated To Order

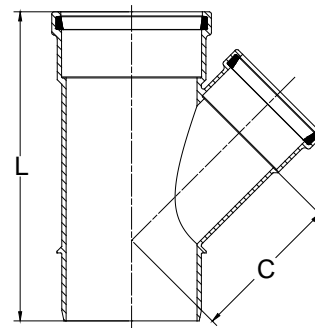
CAUTION: Vertical risers are not recommended
 Vertical risers are subject to problems without special consideration of soil/pipe interaction, dead & live loads, and installation procedures.

45° WYE (G x G x G)



SIZE	PART #	STYLE	C	L	WT (approx.)
4	35-010404	M	5.2	11.8	2.4
6 x 4	35-010604	M	6.8	16.0	4.8
6	35-010606	M	8.0	16.0	5.6
8 x 4	35-010804	M	8.7	15.0	7.3
8 x 6	35-010806	M	9.2	18.5	9.4
8	35-010808	M	10.2	20.5	12.1
10 x 4	35-011004	A	12.5	26.0	14.0
10 x 6	35-011006	M	11.2	19.4	19.0
10 x 8	35-011008	F	13.8	31.5	20.0
10	35-011010	F	15.0	35.5	27.0
12 x 4	35-011204	A	13.8	27.0	21.0
12 x 6	35-011206	M	12.7	20.7	27.0
12 x 8	35-011208	F	15.1	32.5	28.0
12 x 10	35-011210	F	15.3	36.5	33.0
12	35-011212	F	18.1	39.5	44.0
15 x 4	35-011504	FTO	15.7	29.0	32.0
15 x 6	35-011506	F	15.7	32.0	36.0
15 x 8	35-011508	F	17.0	34.5	40.0
15 x 10	35-011510	FTO	18.2	38.5	50.0
15 x 12	35-011512	FTO	20.0	41.5	59.0
15	35-011515	FTO	22.0	46.0	66.0

45° WYE (G x S x G)



SIZE	PART #	STYLE	C	L	WT (approx.)
4	35-020404	M	5.2	11.8	2.0
6 x 4	35-020604	M	6.8	16.0	4.3
6	35-020606	M	8.0	16.0	5.4
8 x 4	35-020804	M	8.7	15.0	6.6
8 x 6	35-020806	M	9.2	18.5	8.5
8	35-020808	M	10.2	20.0	11.6

Call For Other Sizes, Configurations & Gasket Materials



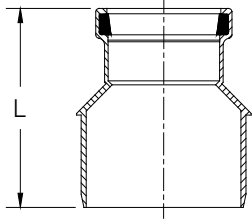
THE HARRINGTON CORPORATION

P.O. BOX 10335 • LYNCHBURG, VIRGINIA 24506 • 3721 COHEN PLACE • LYNCHBURG, VIRGINIA 24501
 PHONE: (434) 845-7094 • FAX: (434) 845-8562 • E-MAIL: sales@harcofittings.com • WEB: www.harcofittings.com

HARCO SDR-35 PVC GASKETED SEWER FITTINGS

DESIGN DATA

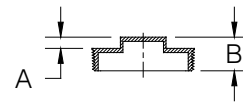
CONCENTRIC INCREASER (G x S)



(Molded fitting shown)

SIZE	PART #	STYLE	L	WT (approx.)
4 x 6	35-160406	M	8.1	1.4
4 x 8	35-160408	F	9.1	2.7
4 x 10	35-160410	F	13.2	7.5
4 x 12	35-160412	F	13.5	11.0
4 x 15	35-160415	FTO	15.0	19.0
6 x 8	35-160608	M	9.0	3.0
6 x 10	35-160610	F	13.3	7.0
6 x 12	35-160612	F	13.6	13.0
6 x 15	35-160615	FTO	14.8	17.0
8 x 10	35-160810	F	13.4	9.0
8 x 12	35-160812	F	13.7	12.0
8 x 15	35-160815	FTO	14.9	19.0
10 x 12	35-161012	F	22.0	16.0
10 x 15	35-161015	FTO	21.8	21.0
12 x 15	35-161215	F	24.5	24.0

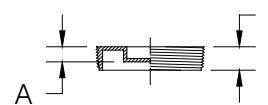
CLEAN-OUT PLUG (RAISED)



(Molded fitting shown)

SIZE	PART #	A	B	WT (approx.)
4	35-6104	0.5	1.5	0.2
6	35-6106	0.5	1.5	0.5

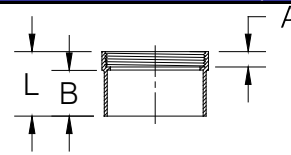
CLEAN-OUT PLUG (RECESSED)



(Molded fitting shown)

SIZE	PART #	A	L	WT (approx.)
4	35-6204	0.7	1.0	0.2
6	35-6206	0.7	1.0	0.6

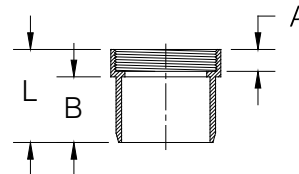
CLEAN-OUT ADAPTER (HUB)



(Molded fitting shown)

SIZE	PART #	A	B	L	WT (approx.)
4	35-5904	1.0	1.8	2.9	0.5
6	35-5906	1.0	3.0	4.2	0.9

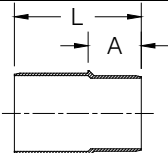
CLEAN-OUT ADAPTER (SPIGOT)



(Molded fitting shown)

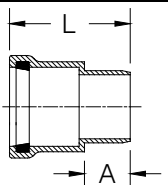
SIZE	PART #	A	B	L	WT (approx.)
4	35-6004	1.0	1.8	7.1	0.6
6	35-6006	1.0	3.0	8.4	0.9

ADAPTER - Sewer x DWV (S x S)



SIZE	PART #	STYLE	A	L	WT (approx.)
4	35-4004	M	2.8	6.9	1.5
6	35-4006	M	3.5	8.1	2.9

ADAPTER - Sewer x DWV (S x G)



SIZE	PART #	STYLE	A	L	WT (approx.)
4	35-3504	M	2.7	7.1	1.6
6	35-3506	M	3.5	8.4	3.7

NOTES:

- All lay lengths & weights are approximate and are subject to change without notice
- Fabricated fitting configurations may vary

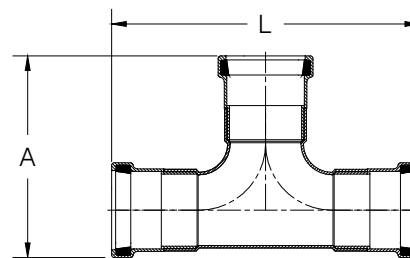
Style Legend:

M - One Piece Molded
 F - Fabricated
 FTO - Fabricated To Order

CAUTION: Vertical risers are not recommended
 Vertical risers are subject to problems without special consideration

Call For Other Sizes, Configurations & Gasket Materials

2-WAY CLEAN-OUT TEE



SIZE	PART #	STYLE	A	L	WT (approx.)
4	35-1304	F	11.0	16.9	3.0



THE HARRINGTON CORPORATION

P.O. BOX 10335 • LYNCHBURG VIRGINIA 24506 • 3721 COHEN PLACE • LYNCHBURG VIRGINIA 24501
 PHONE: (434) 845-7094 • FAX: (434) 845-8562 • E-MAIL: sales@harcofittings.com • WEB: www.harcofittings.com