

Model 35XL LEAD-FREE*

Atmospheric Vacuum Breaker (1/2")

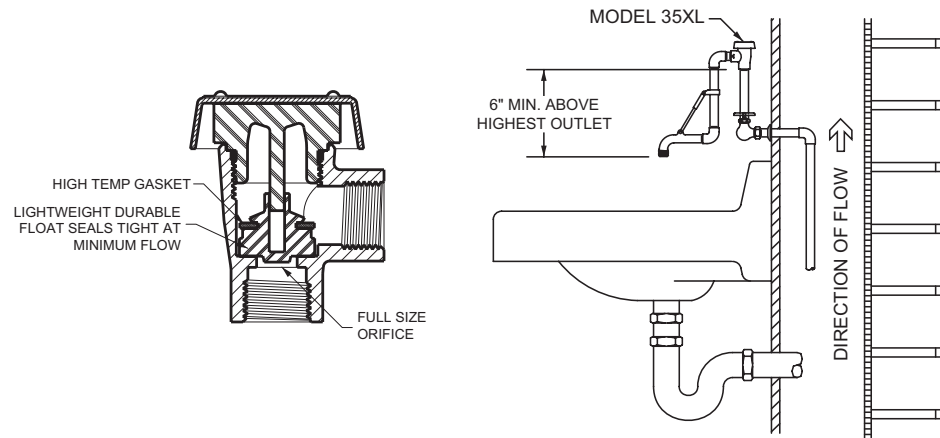


*This product contains a weighted average lead content less than 0.25% for wetted surfaces.

Installation Maintenance Instructions

Connect the supply piping to the bottom of the ZURN WILKINS Model 35XL Atmospheric Vacuum Breaker. Connect the outlet of the Vacuum Breaker to the fixture being served as shown in the diagram below.

The extreme bottom of the AVB shall be taken as the critical installation level. Therefore, the highest fixture being served shall be a minimum of 6 inches below the bottom of the AVB.



CAUTION: This device should never be used in installations that are under continuous pressure. Therefore, never place a shut-off or check valve downstream of AVB's. This device shall not be installed in a concealed or inaccessible location, nor where the venting water from the device during normal functioning may be deemed objectionable.

WARRANTY: ZURN WILKINS Valves are guaranteed against defects of material or workmanship when used for the services recommended. If in any recommended service, a defect develops due to material or workmanship, and the device is returned, freight prepaid, to ZURN WILKINS within 12 months from date of purchase, it will be repaired or replaced free of charge. ZURN WILKINS' liability shall be limited to our agreement to repair or replace the valve only.

WARNING: This product contains a chemical known to the State of California to cause cancer, birth defects and other reproductive harm
ADVERTENCIA: Este producto contiene una sustancia química que el Estado de California como causante de cáncer, defectos de nacimiento y otros daños reproductivos

Model 35XL LEAD-FREE*

Atmospheric Vacuum Breaker (1/2")

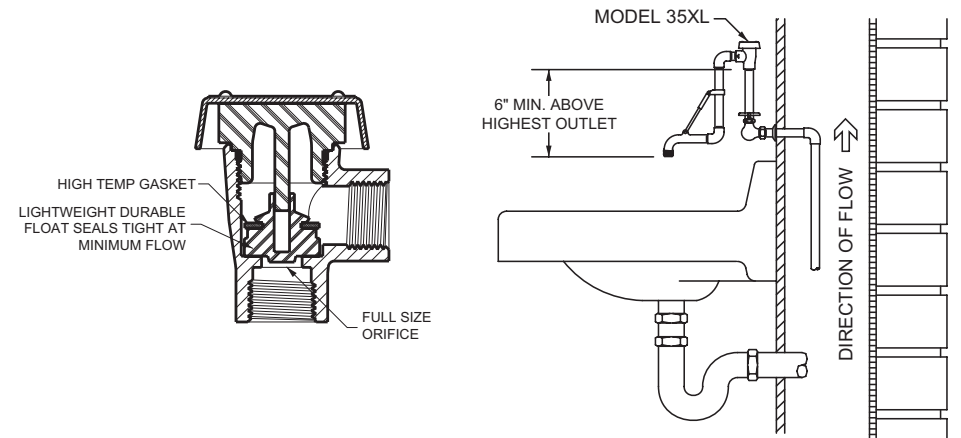


*This product contains a weighted average lead content less than 0.25% for wetted surfaces.

Installation Maintenance Instructions

Connect the supply piping to the bottom of the ZURN WILKINS Model 35XL Atmospheric Vacuum Breaker. Connect the outlet of the Vacuum Breaker to the fixture being served as shown in the diagram below.

The extreme bottom of the AVB shall be taken as the critical installation level. Therefore, the highest fixture being served shall be a minimum of 6 inches below the bottom of the AVB.



CAUTION: This device should never be used in installations that are under continuous pressure. Therefore, never place a shut-off or check valve downstream of AVB's. This device shall not be installed in a concealed or inaccessible location, nor where the venting water from the device during normal functioning may be deemed objectionable.

WARRANTY: ZURN WILKINS Valves are guaranteed against defects of material or workmanship when used for the services recommended. If in any recommended service, a defect develops due to material or workmanship, and the device is returned, freight prepaid, to ZURN WILKINS within 12 months from date of purchase, it will be repaired or replaced free of charge. ZURN WILKINS' liability shall be limited to our agreement to repair or replace the valve only.

WARNING: This product contains a chemical known to the State of California to cause cancer, birth defects and other reproductive harm
ADVERTENCIA: Este producto contiene una sustancia química que el Estado de California como causante de cáncer, defectos de nacimiento y otros daños reproductivos