

**CGa - Gold Series Gas Boiler  
Weil-McLain**



Series 2  
Water,  
Natural Draft  
NAT'L or LP  
MBH: 52-245  
Avg. Efficiency: 83%

- ▶ **HIGH EFFICIENCY**
- ▶ **EASY TO INSTALL AND SERVICE**
- ▶ **MADE WITH WEIL-McLAIN QUALITY**

**APPLICATIONS INCLUDE:**

Residential  
Light Commercial  
Multiple Boilers  
Indirect-fired Water Heating  
Radiant Heating  
*... And Much More*



**WEIL-McLAIN**

[www.weil-mclain.com](http://www.weil-mclain.com)

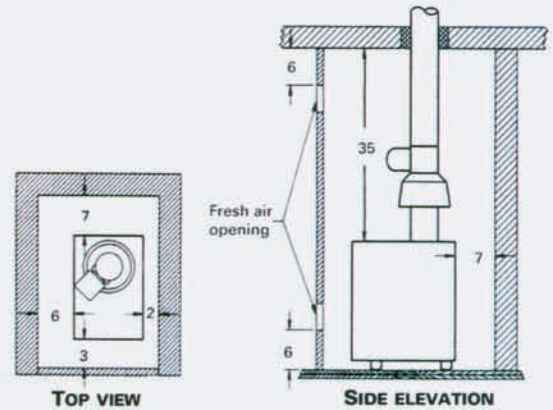
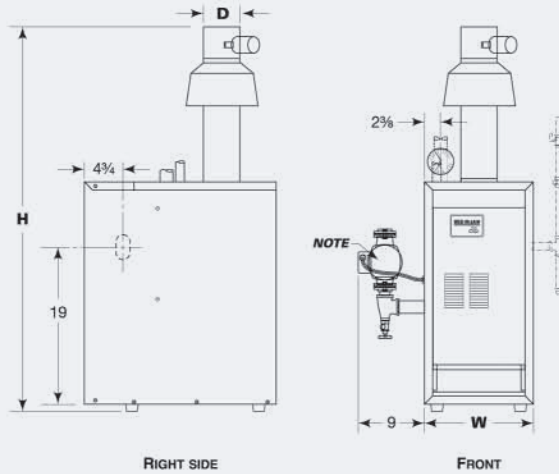
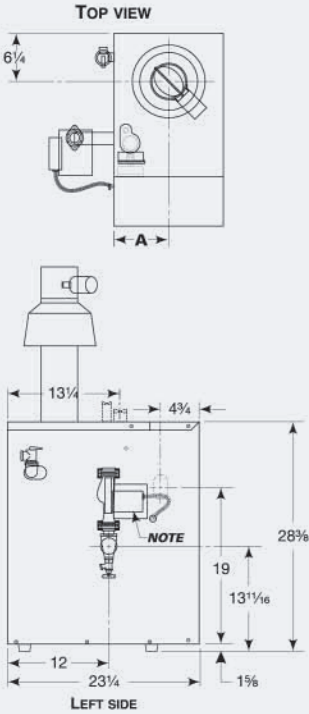
Model (1)	Input MBH (2)	DOE Heating Capacity MBH (2)	Net AHRI Water Ratings MBH (3)	PIDN	Approx. Shipping Weight (Lbs)	Boiler Water Content (Gal.)	Chimney Size
CGa-25	52	44	38	84.0	200	1.5	4" I.D. x 20'
CGa-3	70	59	51	84.0	200	1.5	4" I.D. x 20'
CGa-4	105	88	77	84.0	240	2.1	5" I.D. x 20'
CGa-5	140	117	102	83.5	280	2.7	6" I.D. x 20'
CGa-6	175	146	127	83.2	325	3.3	6" I.D. x 20'
CGa-7	210	175	152	83.0	370	3.8	7" I.D. x 20'
CGa-8	245	204	177	82.7	425	4.4	7" I.D. x 20'

**Notes:**

- (1) See Chart
  - (2) Based on standard test procedures prescribed by the United States Department of Energy.
  - (3) Net AHRI ratings are based on net installed radiation of sufficient quantity for the requirements of the building and nothing needs to be added for normal piping and pick-up. Ratings are based on a piping and pick-up allowance of 1.15. An additional allowance should be made for unusual piping and pick-up loads.
- CGa boilers are C.S.A. design certified for installation on combustible flooring. Tested for 50 psi working pressure.

**Dimensions**

Model	Dimensions Inches				Supply Piping In. (1)	Return Piping In. (1)	Nat or LP Gas Connection Size Inches	Crate Dimensions (Outside Measurements - In.)		
	A	D	W	H				Length	Width	Height
CGa-25	5	4	10	45 3/8	3/4	3/4	1/2	27	27 1/2	31 1/2
CGa-3	5	4	10	52 3/8	1	1	1/2	27	27 1/2	31 1/2
CGa-4	6 1/2	5	13	54 3/8	1	1	1/2	27	27 1/2	31 1/2
CGa-5	8	6	16	57 7/8	1	1	1/2	30	27 1/2	31 1/2
CGa-6	9 1/2	6	19	60 7/8	1 1/4	1 1/4	1/2	33	27 1/2	31 1/2
CGa-7	11	7	22	62 1/8	1 1/4	1 1/4	3/4	36	27 1/2	31 1/2
CGa-8	12 1/2	7	25	64 7/8	1 1/2	1 1/2	3/4	42	27 1/2	31 1/2



**Notes:** (1) Circulator flange supplied with boiler is same size as recommended pipe size. For supply and return boiler tapping size, see installation manual.

**Note:** Boiler circulator is shipped loose. Circulator may be mounted on either boiler supply or return piping. See dimension chart for pipe size of circulator flange provided.

**Standard and Additional Equipment**

**Standard Equipment:**

- Factory Tested
- Two-Piece Top Jacket Panel
- Insulated Extended Steel Jacket
- Cast Iron Sections with Built-in Air Separator
- Radiation Plates
- Vertical Draft Hood
- Automatic Vent Damper
- Combination Gas Valve for 24 Volt
- Wiring Harness
- Non-Linting Pilot Burner
- Stainless Steel Burners
- Electrical Junction Box

- Rollout Thermal Fuse Element
- High-Limit Temperature Control
- Circulator (when ordered)
- Spill Switch
- 30 PSI ASME Relief Valve (boiler sections tested for 50 PSI working pressure)
- Combination Pressure-Temperature Gauge
- Drain Valve
- Integrated Boiler Control Module with Intermittent Electronic Ignition System & Indicator/Diagnostic Lights
- 40 VA Transformer
- Plug-in Connector and Wiring

**Additional Equipment:**

- Taco 007 Circulator
- Expansion Tank Package (expansion tank, fill & check valve, auto air vent and fittings): #109-sizes 25 thru 5; #110-sizes 6 thru 8. Shipped in separate carton.
- W-M 5 & 10 Year Homeowner Protection Plan
- W-M Indirect-fired Water Heaters
- W-M Pool Heaters
- W-M Baseboard Units

